

# Cuisinart®

## INSTRUCTION/ RECIPE BOOKLET



**Smart Stick® Hand Blender**

**CSB-77C**

For your safety and continued enjoyment of this product,  
always read the instruction book carefully before using.

Download from [Www.Somanuals.com](http://www.Somanuals.com). All Manuals Search And Download.

# IMPORTANT SAFEGUARDS

When using an electrical appliance, basic safety precautions should always be followed including the following:

1. **READ ALL INSTRUCTIONS.**
2. To protect against electrical shock, do not put the motor body, cord or electrical plug of this hand blender in water or other liquid. The detachable blending shaft of this appliance has been designed for immersion into water or other liquids. Never submerge any other portion of this unit. If hand blender falls into liquid, remove immediately. **Do not reach into the liquid without unplugging the unit first.**
3. This appliance should not be used by children. To avoid possible accidental injury, close supervision is necessary when any appliance is used by or near children.
4. **Unplug from outlet when not in use, before putting on or taking off parts, and before cleaning. To unplug, grasp plug and pull from electrical outlet. Never pull cord.**
5. Avoid contacting moving parts.
6. During operation keep hands, hair, clothing, as well as spatulas and other utensils away from attachments and any mixing container, to reduce risk of injury to persons, and/or damage to the appliance. A spatula may be used, but must be used only when the unit is not operating.
7. Do not operate any appliance with a damaged cord or plug, or after the appliance has malfunctioned or has been dropped or damaged in any way or is not operating properly. Return the appliance to the nearest Cuisinart Repair Centre for examination, repair, or mechanical or electrical adjustment.
8. Remove detachable shaft from the blender before washing the blades or shaft.
9. Blades are SHARP. Handle carefully when removing, inserting or cleaning.
10. When mixing liquids, especially hot liquids, use a tall container or make small quantities at a time to reduce spillage, splattering and possibility of injury from burning.
11. To reduce the risk of injury, never place chopper/grinder attachment cutting blade on base without first putting prep bowl properly in place.
12. Be certain the chopper/grinder attachment cover is securely locked in place before operating appliance. Do not attempt to remove cover until blade has stopped rotating.
13. Check prep bowl for presence of foreign objects before using.

14. The use of attachments or accessories not recommended by Cuisinart may cause fire, electrical shock, or risk of injury.
15. Do not use outdoors, or use for other than intended use.
16. Do not let any cord hang over the edge of the table or counter. Do not let cord contact hot surfaces, including stovetop.
17. Make sure the appliance is off, the motor has stopped completely, and the appliance is unplugged from outlet before putting on or taking off attachments, and before cleaning.
18. To reduce the risk of fire or electrical shock, do not operate any heating appliance beneath the mounting unit.
19. Maximum rating of 200W is based on the chopper/grinder attachment that draws the greatest power.

## SAVE THESE INSTRUCTIONS FOR HOUSEHOLD USE ONLY

### NOTICE

This appliance has a polarized plug (one blade is wider than the other). As a safety feature, this plug will fit in a polarized outlet only one way. If the plug does not fit fully in the outlet, reverse the plug. If it still does not fit, contact a qualified electrician. Do not attempt to defeat this safety feature.

### TABLE OF CONTENTS

Important Safeguards . . . . .	2
Introduction . . . . .	4
Unpacking Instructions . . . . .	4
Features and Benefits . . . . .	4
Tips and Hints . . . . .	5
Whisk Tips . . . . .	6
Diagram . . . . .	7
Assembly . . . . .	8
Blending Attachment . . . . .	8
Chopper/Grinder Attachment . . . . .	8
Reversible Blade . . . . .	9
Whisk Attachment . . . . .	11
Operation . . . . .	12
Blending . . . . .	12
Whisking . . . . .	12
Chopping/Grinding . . . . .	12
Cleaning . . . . .	13
Frequent Uses for Chopper/Grinder . . . . .	15
Recipes . . . . .	16
Warranty . . . . .	30

---

## INTRODUCTION

This Cuisinart® Smart Stick® Hand Blender is designed to handle a variety of basic tasks, like blending, mixing, chopping, grinding, whipping, pureeing – even processing bread crumbs – to give you time for more creative culinary undertakings! The elegant brushed stainless steel body houses a powerful motor, and the handy “stick” design lets you blend in a pot, bowl, or pitcher. Operation is easy and cleanup is quick. What could be better?

## UNPACKING INSTRUCTIONS

Place the package containing the Cuisinart® Smart Stick® Hand Blender on a sturdy surface. Unpack the Smart Stick® Hand Blender from its box by removing the upper protective insert. Gently slide the unit from the box. Remove all support materials from the box (see page 7 for diagram) and replace the upper insert. Save packaging for possible repacking of the unit.

**Note: The blending blade is extremely sharp. Use caution when removing and unpacking the storage stand. The blending blade is stored in the storage stand.**

Before using the Cuisinart® Smart Stick® Hand Blender for the first time, we recommend that you wipe the unit with a clean, damp cloth to remove any dirt or dust. Dry it thoroughly with a soft absorbent cloth. Handle carefully; wash each individual blade attachment, mixing container and detachable shaft by hand or in the dishwasher. Dry thoroughly before use. Read all instructions completely for detailed operating procedures.

## FEATURES AND BENEFITS

1. **One Touch On/Off Button:** Allows you to activate the hand blender at the touch of a button. Simply press and hold down on the toggle switch to blend or pulse. Once the button is released, blending will stop.
2. **Comfort Handle:** The handle allows you to control the hand blender with ease.
3. **Motor Body Housing**
4. **Detachable Shaft:** By pressing the release button on the back of the unit, the shaft will detach for easy cleaning.
5. **Blending Attachment with Stainless Steel Blade and Blade Guard:** This attachment easily snaps into the motor body housing. The stainless steel blade is partially covered by a stainless steel housing that keeps splashing to a minimum.
6. **Whisk Attachment:** Whisk attachment snaps into the motor body housing. This attachment is great for whipping cream, egg whites

and other delectable treats.

7. **Chopper/Grinder Attachment:** Chop, mince and grind with the Cuisinart® Chopper/Grinder attachment. Chopper/Grinder attaches to the blender motor body in place of the blender shaft or whisk attachment.
8. **Mixing/Measuring Cup (Not shown on page 7):** 2-cup (500 ml) mixing beaker is microwave - and dishwasher safe. Use this container to blend drinks, shakes, salad dressings and more. Designed for easy gripping and drip-free pouring.

## TIPS AND HINTS

1. Liquid should come within an inch (2.5 cm) of where the shaft attaches to the motor housing.
2. Some spices may scratch the chopper/grinder attachment.
3. When using with a nonstick cooking surface, be careful not to scratch the coating with the hand blender.
4. Do not immerse motor body housing, chopper/grinder cover, or whisk gearbox in water or any other liquid.
5. Cut most solid foods into  $\frac{1}{2}$ " (1.25 cm) cubes for easy blending. Suggestion: use chopper/grinder for chopping and grinding solid foods.
6. Pour liquid ingredients into the Mixing/Measuring Cup container first, unless recipe instructs otherwise.
7. To avoid splashing, don't turn the hand blender on until the blade is beneath the surface of the mixture and do not pull the hand blender out of the mixture while blender is running.
8. Do not let hand blender stand in a hot pot on stove while not in use.
9. Do not put fruit pits, bones, or other hard material into the blending mixture, as these are liable to damage the blades.
10. Do not fill mixing containers too full. The level of mixture will rise when blending, and can overflow.
11. Adding liquids that are warm, not cold, facilitates blending solids with liquids.
12. For recipes calling for ice, use crushed ice (not whole cubes) for best results.
13. Using a gentle up-and-down motion is the best way to blend and incorporate ingredients uniformly.
14. To avoid spatter, turn the hand blender off and let the blade stop completely before lifting the unit out of the mixture you are processing.
15. To whip air into a mixture, always hold the blade just under the surface.

16. To make a soup creamy in texture, use the hand blender to purée the soup solids to the desired consistency using a gentle up-and-down motion right in the saucepan. You can quickly change your soup into a thick and creamy blend.
17. If you are making a dip or spread, it is not necessary to process completely into a smooth purée; leave some texture for interest.
18. When making compound butters, remove the butter from the refrigerator and let it come to room temperature before blending the ingredients.
19. The hand blender is perfect for frothing milk for cappuccino or lattes.
20. Use the hand blender to make smooth gravies and pan sauces.
21. For best results when adding celery to a recipe, use a vegetable peeler to remove tough outer strings from the celery before slicing.

## WHISK TIPS

Use the whisk attachment for beating heavy cream or egg whites. It may also be used for whisking eggs for scrambled eggs or fluffy omelets.

## BEATING EGG WHITES

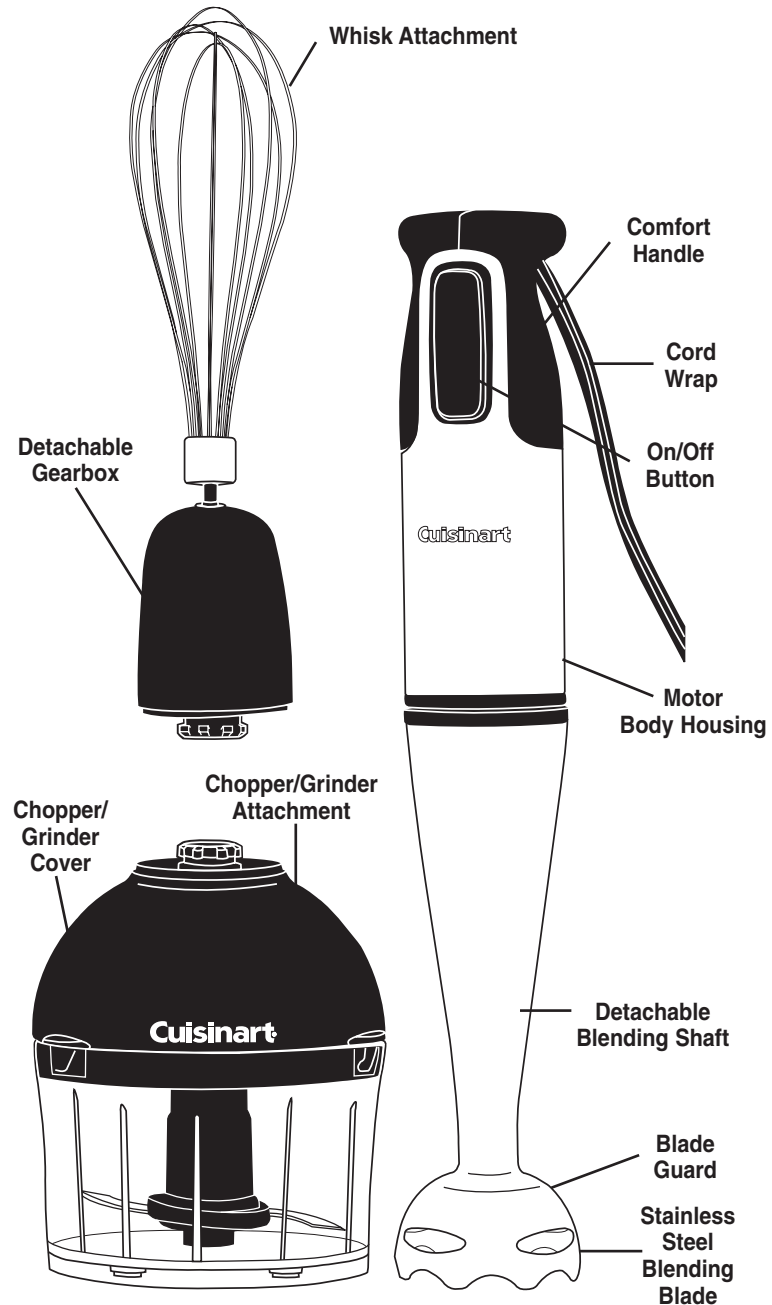
When beating egg whites use a very clean metal or glass bowl, never plastic. Plastic can contain hidden oils and fats that can ruin the delicate egg white foam. To help stabilize the egg whites add 1/8 teaspoon (1 ml) of cream of tartar per egg white prior to beating them. (If using a copper bowl omit the cream of tartar). Beat the egg whites until soft peaks form that do not droop over. Beating the egg whites longer causes them to dry out and become even less stable. When adding sugar to beaten egg whites add it slowly when soft peaks just begin to form and then continue beating to form soft peaks that don't droop over.

## BEATING HEAVY CREAM

When beating heavy cream, if possible and time allows, use a chilled bowl, and chill the whisk attachment. The best shaped bowl for whipping cream is one that is deep with a rounded bottom. The cream should come out of the refrigerator just before whipping. Hold the Whip attachment so that it is just skimming the surface, and whip until the cream begins to thicken and develop some body; then immerse the whisk totally into the cream. Whipped cream may be used at either soft or firm peaks depending on preference. It may be flavoured as desired. For best results, whip cream just before using.

If it must be whipped ahead, add a whipped cream stabilizer such as Oetker®'s Whip It™.

Oetker® is a registered trademark owned by Dr. August Oetker Nahrungsmittel, KG, LP.



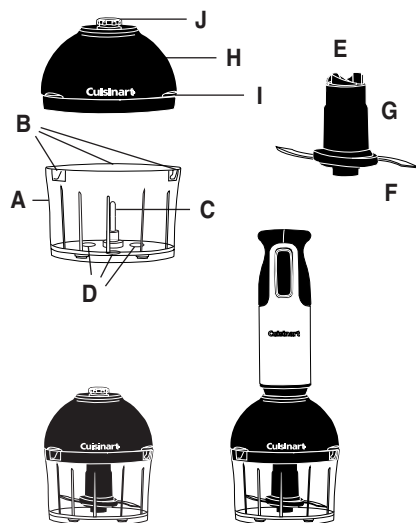
## ASSEMBLY

### BLENDING ATTACHMENT

1. Align the motor body with the blending attachment and slide the pieces together until you hear and feel the pieces click together. It may be helpful to press the release button when assembling.



### CHOPPER/GRINDER ATTACHMENT



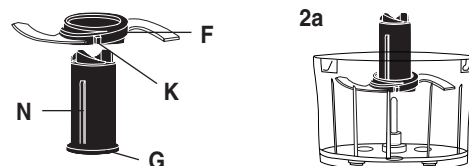
- A. Chopper/Grinder Prep Bowl
- B. Cover Slots (3) for Attaching Cover
- C. Metal Blade Assembly Shaft
- D. Rubber Feet
- E. Blade Assembly
- F. Blade Ring
- G. Plastic Blade Sheath
- H. Chopper/Grinder Cover
- I. Lift Tabs
- J. Chopper/Grinder Spline

### REVERSIBLE BLADE

The Cuisinart® Smart Stick® Hand Blender chopper/grinder attachment is equipped with a reversible blade. This blade is sharp on one side and blunt on the other. The blade is attached to a plastic ring which slides over the blade assembly shaft, so it can be easily turned over to select the appropriate blade. A guide for proper blade selection follows in the section, Frequent Uses for Chopper/Grinder (page 15.)

Before you process any food, assemble the parts.

1. Place the prep bowl on a flat, dry, stable surface. It should be close to an electrical outlet of the same voltage as stated on the rating plate on the Smart Stick® Hand Blender.
2. The metal blade assembly shaft is attached to the bottom of the prep bowl. If not already in place, slide the fully assembled blade assembly over the top of the blade assembly shaft.
  - a. Putting together the blade assembly:  
Connect the blade ring (F) to the plastic blade sheath (G). Line up the blade ring opening with the plastic sheath. Let the blade ring slide to the bottom of the plastic sheath. **HOLD THE BLADE RING BY THE CENTRAL HUB HOLDING RIBS (grips)(K) ONLY. DO NOT TOUCH THE RAZOR-SHARP BLADES.**



Note these important features of the blade ring. The blade ring can be placed over the plastic blade sheath in two different ways:

If you hold it this way (A), you will see the word "Sharp" on the blade. Assemble the blade this side up to use the sharp edge. (see the section on processing food for information about when to use the sharp edge.)



If you hold it this way (B), you will see no writing on the blade. Assemble the blade this side up to use the blunt edge. (See the section on processing food, for information about when to use the blunt edge.)



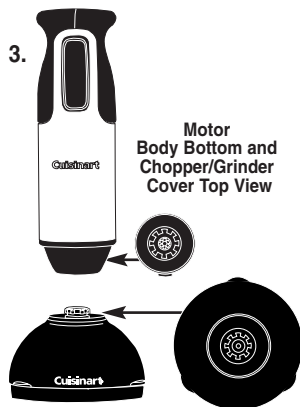
There are notches (C) on opposite sides of the interior of the hub. These fit over ridges on the sides of the plastic blade sheath.



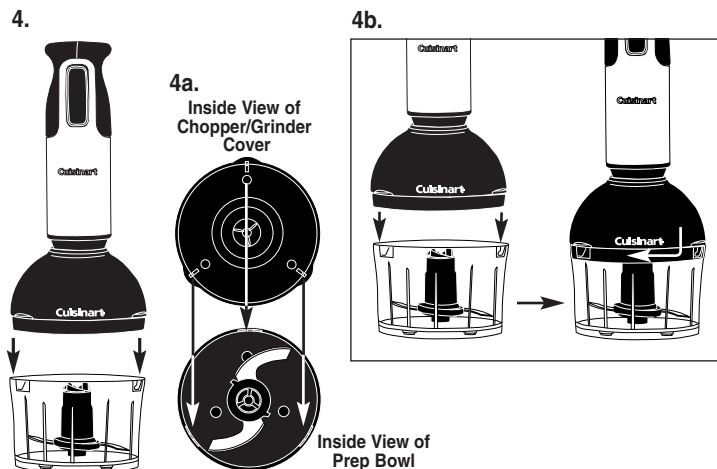
Pick up the blade ring by its hub holding ribs (grips) and line up the notches in the interior of the blade ring hub with the ridges on the sides of the plastic blade sheath. Let the blade ring slide down to the bottom of the plastic blade sheath. The lower blade should almost touch the bottom of the prep bowl.

Lift the prep bowl, holding it firmly from the bottom. Pick up the blader ing by its hub holding ribs (grips) and turn it very slightly clockwise. This locks it in place on the plastic blade sheath and prevents it from sliding up during processing.

3. Connect the Smart Stick® Hand Blender motor body to the top of the chopper/grinder attachment cover. Align the spline in the chopper/grinder cover's drive shaft with the ribbed opening on the underside of the motor body. When aligned properly, slide the two pieces together until you feel and hear a slight click. It may be helpful to press the rubber release button when sliding these pieces together.



4. With the hand blender in place, locate the chopper/grinder cover and place it on top of the prep bowl.
  - a. Be sure that the 3 ridges at the top of the blade assembly line up with the 3-arm propeller gear in the underside of the chopper/grinder cover, and that the cover is seated all around the top of the prep bowl.
  - b. To properly seat the cover, you must line up the three molded pins from the cover with the 3 slots at the top of the prep bowl. Rotate cover counterclockwise to secure it to the prep bowl. Rotate the cover until the pins are in the far left position in the slots.



5. Plug the power cord of the Smart Stick® Hand Blender into an electrical outlet.
6. Place one hand on the cover of the chopper/grinder attachment, while gripping the Smart Stick® Hand Blender motor body handle with the other. Press the ON/OFF button with your fingers to start the motor and run the chopper/grinder.
 

To turn the unit off, remove your fingers from the ON/OFF button.
7. **WHEN THE BLADE STOPS MOVING**, unplug the Smart Stick® Hand Blender, remove the motor body from the chopper/grinder cover, and remove the cover from the prep bowl.

## WHISK ATTACHMENT

1. Align the end of the whisk with the small opening of the whisk gearbox.
2. Push end into opening until it locks into position.
3. Align the motor body with the assembled whisk attachment and slide the pieces together until you hear and feel the pieces click together. It may be helpful to press the release button when assembling.



---

## OPERATION

### BLENDING

#### Blending & Mixing

The specially designed blade is for mixing and stirring all kinds of foods, including salad dressings, powdered drink products, and sauces. It is ideal for combining dry ingredients, and can be used to emulsify mayonnaise, too.

This blade mixes and stirs while adding only a minimum of air to your mixture. A gentle up-and-down motion is all you need to make the most flavourful, full-bodied liquid recipes. Be careful never to remove the Cuisinart® Smart Stick® Hand Blender from the liquid while in operation.

1. Insert the blending attachment into the motor body. (See Assembly for Blending Attachment, page 8.)
2. Plug electrical cord into an electrical wall socket.
3. Place blending shaft into mixture that will be blended.
4. Press and hold the ON/OFF button. The hand blender will continue to run as long as the switch is pressed in. To turn hand blender OFF, release the ON/OFF button and the motor will stop.
5. Do not hold the button ON for longer than 50 seconds at a time.
6. Unplug immediately after use.

### WHISKING

1. Insert the whisk attachment into the motor body. (See Assembly for Whisk Attachment, page 11.)
2. Plug electrical cord into an electrical wall socket.
3. Place the whisk into mixture that will be blended.
4. Press and hold the ON/OFF button. The hand blender will continue to run as long as the switch is pressed in. To turn hand blender OFF, release the ON/OFF button and the motor will stop.
5. Do not hold the button ON for longer than 20 seconds at a time.
6. Unplug immediately after use.

### CHOPPING AND GRINDING

#### Processing Food

1. Place the prep bowl firmly on a flat sturdy surface like a countertop. Be sure the blade is assembled to use the blade edge that is appropriate for the food to be processed.

2. Place food in the prep bowl. Be sure the food is cut in small pieces, and the bowl is not overloaded.
3. Place the chopper/grinder cover on top of the prep bowl. Be sure the cover is properly seated.
4. Press the ON/OFF button on the Smart Stick® Hand Blender.
5. Do not operate the chopper/grinder attachment for longer than 15 seconds at a time.

**Note: Due to the powerful motor provided with this unit, Cuisinart recommends using one hand to support the chopper/grinder during operation.**

6. When you have finished processing the food, stop the machine by taking your fingers off the ON/OFF button.
7. WHEN THE BLADE STOPS MOVING, remove the Smart Stick® Hand Blender motor body from the chopper/grinder cover, and remove the cover from the chopper/grinder.
8. Unplug the unit.
9. Carefully remove the blade assembly, holding it by the gripping ridges on the plastic sheath. NEVER TOUCH THE BLADE ITSELF.
10. Remove food with the spatula.

**Note: Do not operate the Smart Stick® Chopper/Grinder attachment without food contents in the prep bowl.**

## CLEANING

### SMART STICK® HAND BLENDER

Always clean the Smart Stick® motor body and blending shaft thoroughly after using.

Remove the blending shaft from the motor body. Clean the motor body only with a sponge or damp cloth. Do not use abrasive cleaners which could scratch the surface. To clean the blending shaft, wash by hand in hot water using mild detergent.

**Never immerse the motor body in water.**

When the appliance has malfunctioned or has been dropped or damaged in any way or it is not operating properly, return the appliance to the nearest Cuisinart Repair Centre for examination, repair or mechanical or electrical adjustment.

### CHOPPER/GRINDER ATTACHMENT

To simplify cleaning, rinse the prep bowl, cover and blade immediately after use, so that food won't dry onto them. Wash blade ring, plastic sheath, and prep bowl in warm soapy water. Rinse and dry.

Wipe the underside of the chopper/grinder cover with a sponge or damp cloth to remove any food. **Do not submerge the cover in water or place in the dishwasher.** Wash the blade carefully. Avoid leaving it in soapy water where it may disappear from sight.

If you have a dishwasher, you can wash the prep bowl blade assembly on the upper shelf. Insert the Prep Bowl upside down. Put the blade in the cutlery basket. Unload the dishwasher carefully to avoid contact with the sharp blade. Wipe the motor body and top of the cover with a damp sponge or cloth. Dry it immediately. **Never submerge the motor body or the cover in water or other liquid.**

The Smart Stick® chopper/grinder attachment is intended for HOUSEHOLD USE ONLY. Any service, other than cleaning and normal user maintenance, should be performed by an authorized Cuisinart Service Representative.

## WHISK ATTACHMENT

To clean your whisk attachment, simply release the attachment from the motor body housing. Once the whisk is removed, detach the metal whisk from the gearbox by pulling pieces apart. To clean the gearbox, simply wipe with a damp cloth. To clean the metal whisk, wash with warm, soapy water or place in the dishwasher. **Do not submerge the gearbox in water or any other liquid.**

## FREQUENT USES FOR CHOPPER GRINDER

Ingredient	Comments
Baby foods (always consult pediatrician or family physician for appropriate food recommendations)	Place small amounts of cooked foods into chopper/grinder bowl. Add small amount of appropriate liquid. Use pulse action to chop, then continuous-hold action to blend.
Bread crumbs – fresh or dry (day old)	Pulse to chop, then process until desired consistency is reached.
Hard Cheese (Asiago, Locatelli, Parmesan, Romano, etc.) (Not recommended for softer cheeses unless making dip or dressing.)	Cut into ¼-inch (0.6 cm) pieces. Pulse to chop, then process until desired consistency is reached, no more than 1 ounce (30 g) at a time.
Chocolate	Cut into ½-inch (1.25 cm) pieces; may chill in freezer for 3 minutes before chopping. Pulse to chop, then process, no more than 1 ounce (30 g) at a time, until desired texture is reached.
Creamy Dressings/Dips	Place ingredients in chopper grinder bowl; do not cover or spill on stem. Use pulse action to chop, then continuous-hold action to blend as needed to desired consistency.
Garlic	Peel cloves, up to 6 cloves. Pulse to chop.
Ginger root (fresh)	Peel, cut into ½-inch (1.25 cm) pieces. Pulse to chop, ½ ounce (15g) at a time.
Herbs, fresh	½ cup (125 ml); must be clean and dry. Pulse to chop.
Nuts	Shelled, toast first for best flavour. Pulse to chop, then process up to ½ cup (125 ml) at a time, until desired chop is reached from coarse to fine. May be processed to nut-butter stage.
Onion	Peel, cut into ½-inch (1.25 cm) pieces. Pulse to chop, up to ½ cup (125 ml) at a time, until desired chop is reached.
Vegetables (cooked)	Cut into ½-inch (1.25 cm) pieces and cook until fork tender. Pulse to chop, up to ½ cup (125 ml) at a time. May need to add cooking liquid, stock or milk to process to a vegetable purée. Not recommended for mashed potatoes.



Vegetables (uncooked)	Peel as needed, cut into ½-inch (1.25 cm) pieces. Peel celery with vegetable peeler to remove tough strings. Chop / process up to ½ cup (125 ml) at a time.
Meat (Beef, Pork)	6 oz or 175 g, cut into ½-inch (1.25 cm) pieces.

## SMOOTHIES AND DRINKS

### BLUEBERRY BANANA ANTI-OXIDANT SMOOTHIE

Makes 2 cups (500 ml)

- 1 cup (250 ml) frozen blueberries
- 1 small [4½ ounces (125 g)] banana, sliced
- ¾ cup (75 ml) soy milk or fat-free milk
- 14 grams soy protein powder (or soy protein isolate)
- 1 teaspoon (5 ml) flaxseed oil
- 1–2 teaspoons (5 ml-10 ml) honey (optional)

Place soy milk, protein powder, blueberries, banana, flaxseed oil and honey if using in Mixing/Measuring Cup container. Insert the Cuisinart® Hand Blender, making sure the protective guard is submerged. Blend, using a gentle up-and-down motion until ingredients are combined, about 35 seconds.

*Nutritional information per cup (250 ml) (made without honey):*  
 Calories 159 (17% from fat) • carb. 26g • pro. 9g • fat 3g  
 • sat. fat 0g • chol. 0mg • sod. 12mg • calc. 89mg • fiber 4g

### STRAWBERRY KIWI SMOOTHIE

Makes one 14-ounce (400 ml) smoothie

- 1 cup (250 ml) frozen strawberries, partly thawed
- 1 kiwi, peeled, cut into eighths
- ½ cup (125 ml) fat-free vanilla yogurt
- ½ cup (125 ml) fat-free milk
- 1 tablespoon (15 ml) honey

Place ingredients in the Mixing/Measuring Cup. Insert the blender, making sure the protective guard is submerged. Blend, using a gentle up-and-down motion until ingredients are well combined, about 30–35 seconds.

*Nutritional information per smoothie:*  
 Calories 286 (2% from fat) • carb. 63g • pro. 11g • fat 1g  
 • sat. fat 0g • chol. 4mg • sod. 133mg • calc. 371mg • fiber 6g

### FROZEN COFFEE FRAPPÉ

Makes one 12-ounce (340 ml) beverage

- 1¼ cups (425 ml) coffee ice cream or ice milk
- ½ cup (125 ml) strong brewed coffee (may use espresso)
- 2 tablespoons (30 ml) fat-free milk

Place ingredients in Mixing/Measuring Cup. Insert blender, making sure the protective guard is submerged. Blend, using an up-and-down motion until ingredients are well combined, about 20–30 seconds.

For a thicker style milkshake:

Fill Mixing/Measuring Cup with coffee ice cream up to the 1-cup (250 ml) mark. Add ¼ cup (50 ml) brewed coffee and 1 tablespoon (15 ml) of fat-free milk. Blend using the same technique as above.

For a Mudslide variation:

Add 1 tablespoon (15 ml) each of Irish Cream Liqueur and Kahlua®.

*Nutritional information per shake:*

Calories 215 (44% from fat) • carb. 26g • pro. 5g • fat 11g  
 • sat. fat 7g • chol. 45mg • sod. 105mg • calc. 172mg • fiber 0g

Kahlua® is a registered trademark owned by the Kahlua Company.

### PEACH MARGARITA

Makes 2 cups (500 ml)

- 1 cup (250 ml) frozen peaches
- 1 cup (250 ml) citrus juice (orange, lime, lemon in any combination)
- ⅓ cup (75 ml) good quality tequila
- ½ tablespoon (7 ml) Triple Sec or Grand Marnier®
- 1–2 teaspoons (5 ml-10 ml) granulated sugar

Place ingredients into Mixing/Measuring Cup. Insert the blender, making sure the protective guard is submerged. Blend, using an up-and-down motion until ingredients are combined, about 30 seconds.

*Nutritional information per cup (250 ml):*  
 Calories 177 (0% from fat) • carb. 25g • pro. 1g • fat 0g  
 • sat. fat 0mg • chol. 0mg • sod. 2mg • calc. 9mg • fiber 2g

Grand Marnier® is a registered trademark owned by the Société des Produits Marnier-LaPostolle.

### MEXICAN HOT CHOCOLATE

*We made our Hot Chocolate with fat-free milk and it was a big hit.  
 For a richer chocolate, make it with whole or reduced-fat milk.  
 Now and then indulgence is good for the soul.*

Makes 12–16 servings

- 2 quarts (1.9 L) fat-free milk
- 3-sticks 3 inches (7.5 cm) cinnamon sticks
- 20 ounces (565 g) bittersweet chocolate (your favourite), broken into chunks
- 1 tablespoon (15 ml) vanilla extract

Combine the milk and cinnamon sticks in a 3¼ quart (3.5 L) Cuisinart® saucepan. Place over medium heat and stir constantly to heat until steamy and just beginning to bubble around the edges. Reduce heat to low and simmer for 10 minutes to infuse the cinnamon flavour into the milk. Stir in the chocolate chunks. When chocolate is melted, remove cinnamon sticks and stir in vanilla extract. Insert the blender and process about 1 minute using a gentle up-and-down motion. Continue blending until the mixture is creamy and frothy. Spoon into cups or mugs and top with a dollop of freshly whipped cream if desired.

For Hot Cinnamon Mocha, add 3–4 tablespoons (45 ml–60 ml) instant espresso powder to the milk when steeping with the cinnamon sticks.

*Nutritional information per serving:*  
*Calories 215 (52% from fat) • carb. 23g • pro. 7g • fat 14g*  
*• sat. fat 8g • chol. 2mg • sod. 68mg • calc 184mg • fiber 1g*

## SOUPS, SAUCES, DIPS AND SPREADS

### ASPARAGUS SOUP

Makes 2½ cups (625 ml)

- 2 ounces (56 g) shallot, peeled
- 1 tablespoon (15 ml) unsalted butter
- 1 clove garlic, peeled and crushed
- 1¼ pounds (625 g) fresh asparagus, tough ends removed
- 3 ounces (85 g) red potato, peeled, cut in ½-inch (1.25 cm) dice
- ¼ cup (50 ml) dry white wine
- 1½ cups (375 ml) fat-free low-sodium chicken broth
- ¾ teaspoon (4 ml) kosher salt
- ¼ teaspoon (1 ml) freshly ground pepper
- ¼ teaspoon (1 ml) dried basil
- ¼ cup (50 ml) heavy cream (optional)

Insert the blade assembly in the prep bowl. Place the shallot in the prep bowl, connect hand blender motor body to the top of the chopper/grinder attachment cover, cover prep bowl and pulse 10 times to finely chop.

Melt butter in a 3-quart (3 L) saucepan over medium low heat. Add shallots and crushed garlic and “sweat” over medium-low heat for about 5

minutes. Do not allow the shallots and garlic to brown.

While shallots are cooking, cut the asparagus into ½-inch (1.25 cm) pieces and reserve the tips. When shallots are soft, add asparagus and potato to saucepan and cook for about 6 minutes longer, until asparagus is bright in colour. Add wine and raise the heat to bring the wine to a boil. Reduce the wine until a scant tablespoon remains. Add chicken stock. Bring to a boil and then reduce heat to low. Simmer for about 20 minutes until the vegetables are soft. Insert the blender into the saucepan, making sure the protective guard is submerged. Blend, using a gentle up-and-down motion until ingredients are well combined, about 40–50 seconds. Season with salt, pepper and basil. Stir in cream if using.

While soup is cooking bring 2 cups (500 ml) of water to a boil. Add the asparagus tips and cook for 2 minutes until bright green. Drain and immediately plunge into an ice-water bath to stop cooking.

Serve soup hot, garnished with reserved asparagus tips.

*Nutritional information per 1/2 cup (125 ml) serving:*  
*Calories 81 (28% from fat) • carb. 10g • pro. 4g • fat 3g*  
*• sat. fat 1g • chol. 6mg • sod. 525mg • calc. 36mg • fiber 2g*

### CURRIED CAULIFLOWER SOUP

Makes 5 cups (1.25 L)

- 1 tablespoon (15 ml) olive oil
- 4 ounces (115 g) leeks, washed and trimmed, dark green parts removed, sliced
- 1 teaspoon (5 ml) curry powder
- ¼ teaspoon (1 ml) turmeric
- ½ teaspoon (2 ml) kosher salt
- 1 head of cauliflower [about 1¼ pounds(795 g)] cut into small florets
- 3½ ounces (100 g) red potato peeled and cut into ½-inch (1.25 cm) cubes
- ½ cup (125 ml) white wine
- 3½ cups (875 ml) chicken stock or vegetable stock
- 1 teaspoon (5 ml) lemon or lime juice

Place a 4-quart (4 L) saucepan over medium heat and add olive oil. Add leeks and “sweat” for about 6–8 minutes until very soft. Add curry powder, turmeric, and salt to leek mixture and cook for about 1–2 minutes.

Add cauliflower florets and potato. Stir to coat with spices and cook for another 5 minutes to soften slightly. Add white wine and increase heat to bring to a boil. Reduce the wine until there is a scant amount left. Add stock just to cover. Bring to a boil and then reduce heat to medium low.

Simmer for about 25 minutes or until the vegetables are very soft.

Insert the blender into the saucepan, making sure the protective guard is submerged. Blend, using an up-and-down motion until ingredients are well combined, about 45–50 seconds. Add lemon juice. Taste and adjust seasoning accordingly.

*Nutritional information per 1/2 cup (125 ml) serving:*  
Calories 71 (22% from fat) • carb. 10g • pro. 4g • fat 2g  
• sat. fat 0g • chol. 0mg • sod. 350mg • calc. 39mg • fiber 3g

### SWEET RED PEPPER COULIS

*This multipurpose sauce is great for chicken, fish, crab cakes, and pastas*

Makes 2½ cups (625 ml)

- 1 tablespoon (15 ml) olive oil
- 1 medium yellow onion, peeled, roughly chopped
- 6 cloves of garlic, peeled and smashed
- 3 medium red peppers [about 6 ounces (175 g) each], roughly chopped
- ½ teaspoon (2 ml) kosher salt
- ¼ teaspoon (1 ml) freshly ground pepper
- ¼ cup (50 ml) dry white wine
- ¼ cup (50 ml) chicken stock

Heat the olive oil in a 2½-quart (2.3 L) saucepan over medium-low heat. Add the onion, garlic, red pepper, salt, and pepper and stir to coat. Reduce heat to low, cover loosely and “sweat” slowly until softened for about 15–20 minutes. Take care that the vegetables do not pick up any colour.

When vegetables are soft, add wine and increase the temperature so that the wine comes to a boil. Reduce the wine until about 1 tablespoon (15 ml) remains. Add stock and bring to a boil. Reduce heat to medium low and simmer for about 10 minutes. Insert the blender into the saucepan, making sure the protective guard is submerged. Blend, using an up-and-down motion until ingredients are smooth and well combined, about 50–60 seconds.

*Nutritional information per 1/2 cup (125 ml) serving:*  
Calories 41 (33% from fat) • carb. 5g • pro. 1g • fat 2g  
• sat. fat 0g • chol. 0mg • sod. 148mg • calc. 13mg • fiber 1g

### GREEN CHILE SAUCE

*This sauce is excellent served with your favourite Mexican dish—or use it as a base for a delicious southwestern stew.*

Makes 2¼ cups (550 ml)

- 1½ pounds (750 g) Anaheim or green New Mexican chiles
- 1 small onion [approximately ¾ ounce (90 g)], cut into quarters
- 1 large garlic clove, peeled
- 1 jalapeño pepper [approximately ½ ounce (14 g)], cut in half, seeds and stem removed
- 1 tablespoon (15 ml) unsalted butter
- 1 tablespoon (15 ml) flour
- 1½ cups (375 ml) chicken stock
- ¼ teaspoon (4 ml) kosher salt

Preheat oven to 450°F (230°C). Place peppers on a baking sheet and roast until very dark and skin is coming away from the pepper, about 30 minutes. Place roasted peppers in a mixing bowl and cover with plastic wrap in order for the skins to loosen about 15 minutes.

Insert the blade assembly in the prep bowl. Place the onion, garlic, and jalapeño in the prep bowl and pulse approximately 8 times to a rough chop.

Peel the cooled peppers, discarding all skin, seeds, and stems. Place in prep bowl and pulse 6 times to chop.

Place a 3¼ quart (3.3 L) sauté pan over medium heat and add the butter. Add the onion, garlic and jalapeño mixture and sauté for about 4–5 minutes and soft. Stir in chopped chiles and cook for another minute. Add flour and stir and cook for 2 minutes. Add stock and bring to a boil. Add salt and reduce to a simmer for about 25 minutes. Insert the blender into the saucepan, making sure the protective guard is submerged. Blend, using an up-and-down motion until ingredients are well combined, about 40–60 seconds, until the sauce reaches desired consistency.

*Nutritional information per 1/4 cup (50 ml) serving:*  
Calories 39 (35% from fat) • carb. 5g • pro. 1g • fat 2g  
• sat. fat 1g • chol. 3mg • sod. 476mg • calc. 59mg • fiber 1g

### GARDEN VEGETABLE TOMATO SAUCE

*A fresh and healthy pasta sauce that is excellent served with whole-wheat pasta and topped with crumbled feta cheese.*

Makes 4 cups (1 L)

- 1 tablespoon (15 ml) olive oil

- 
- 4 ounces (125 g) yellow onion cut into quarters
  - 2 garlic cloves, peeled and crushed
  - 3½ ounces (100 g) red pepper, cut into 1-inch (2.5 cm) pieces
  - 3 ounces (85 g) eggplant, peeled and cut into 1-inch (2.5 cm) pieces
  - 3 ounces (85 g) zucchini, cut into 1-inch (2.5 cm) pieces
  - 3 ounces (85 g) summer squash, cut into 1-inch (2.5 cm) pieces
  - 1 small carrot, peeled and cut into ½-inch (1.25 cm) pieces
  - ¼ cup (50 ml) dry white wine
  - 1 sprig fresh thyme
  - ¾ teaspoon (4 ml) salt
  - 1 28-ounce (875 g) can diced tomatoes

Insert the blade assembly in the prep bowl. Place the onion in the prep bowl and pulse approximately 8 times to a rough chop.

Heat the olive oil in a 3-quart (3 L) saucepan over medium heat. Add the chopped onion and the crushed garlic cloves to the pan and reduce heat to low. One at a time, place the remaining vegetables in the prep bowl and chop with 8 even pulses and then add to the pan, stirring between each addition. After carrot is added, stir and allow vegetables to cook over low heat for about 15 minutes. Add white wine and reduce wine to 1 tablespoon. Add thyme, salt, and tomatoes. Simmer for 25 minutes longer.

Insert the blender into the saucepan, making sure the protective guard is submerged. Blend, using an up-and-down motion until ingredients are well combined, about 50–60 seconds.

*Nutritional information per 1/4 cup (50 ml) serving:*  
*Calories 60 (25% from fat) • carb. 9g • pro. 2g • fat 2g*  
*• sat. fat 0g • chol. 0mg • sod. 351mg • calc. 29mg • fiber 3g*

### BASIC VINAIGRETTE

*Use this basic vinaigrette as a guide and change your vinegar/oil flavours to come up with appropriate combinations to create exciting salads. You may add other flavours such as crushed or roasted garlic, chopped shallots, fresh or dried herbs, sun-dried tomatoes, honey, lemon juice, or flavoured vinegars.*

Makes 1 cup (250 ml)

- ¼ cup (50 ml) wine vinegar
  - 1 tablespoon (15 ml) Dijon mustard
  - ¾ cup (175 ml) salad or olive oil
- kosher salt and freshly ground pepper to taste

---

Place all ingredients in the Mixing/Measuring Cup. Process until combined, about 10–15 seconds. Keep unused portions in an airtight container in the refrigerator up to 2 weeks.

*Nutritional analysis per tablespoon (15 ml):*  
*Calories 91(98% from fat) • carb. 0g • pro. 0g • fat 10g*  
*• sat. fat 1g • chol. 0mg • sod. 23mg • calc. 0mg • fiber 0g*

### CREAMY PARMESAN & ROASTED GARLIC DRESSING

*Similar to a Caesar dressing, but made with roasted garlic to give the dressing a more mellow flavour.*

Makes about 1½ cups (325 ml)

- 1 ounce (30 g) Parmigiano-Reggiano cheese, cut in ½-inch (1.25 cm) cubes
  - 4 cloves roasted garlic\*
  - 2 tablespoons (30 ml) fresh lemon juice
  - 2 tablespoons (30 ml) red or white wine vinegar
  - 2 tablespoons (30 ml) lowfat mayonnaise or pasteurized liquid egg product (such as EggBeaters®)
  - 1 tablespoon (15 ml) Dijon mustard
  - 1 tablespoon (15 ml) anchovy paste
  - 1 teaspoon (5 ml) Worcestershire sauce
  - 1 teaspoon (5 ml) freshly ground pepper
  - 1 cup (250 ml) extra virgin olive oil
- Tabasco® or other hot sauce (to taste)

Insert the blade assembly in the prep bowl. Place the cheese cubes in the prep bowl. Pulse to chop, 10 times, then process to chop finely, about 15–20 seconds. Add remaining ingredients to prep bowl. Process for about 30–40 seconds, until creamy and totally emulsified.

*Nutritional analysis per tablespoon (15 ml):*  
*Calories 53 (89% from fat) • carb. 1g • pro. 1g • fat 5g*  
*• sat. fat 1g • chol. 4mg • sod. 82mg • calc. 18mg • fiber 0g*

\*To roast garlic: Place 12 or more peeled cloves in a double thickness of aluminum foil, toss with a tablespoon of olive oil and fold the foil to seal. Place in 375°F (190°C) oven for 30–40 minutes, until tender and browned. If you do not wish to roast the garlic, you may blanch it until tender.

Egg Beaters® is a registered trademark owned by Nabisco Inc.

---

## MAYONNAISE

*Make quick mayonnaise in just moments.*

Makes about 1¼ cups (300 ml)

- ¼ cup (50 ml) pasteurized liquid egg product (such as EggBeaters®)
- 1 tablespoon (15 ml) fresh lemon juice
- ½ tablespoon (15 ml) Dijon mustard
- 1 cup (250 ml) vegetable oil
- ¼ teaspoon (1 ml) kosher salt
- ¼ teaspoon (1 ml) ground white pepper

Place all ingredients in Mixing/Measuring Cup in order listed. Insert blender holding blade against bottom of container and process until mixture begins to thicken, about 15 seconds. Continue processing with a gentle up-and-down motion until thick, about 20–30 seconds longer.

*Nutritional information per tablespoon (15 ml):*

*Calories 98 (98% from fat) • carb. 0g • pro. 0g • fat 11g  
• sat. fat 1g • chol. 2mg • sod. 29mg • calc 1mg • fiber 0g*

## MANGO SALSA

*Mango Salsa is excellent served over grilled fish such as salmon, tuna, swordfish or scallops, and grilled chicken, duck or pork tenderloin. It can also be served like traditional tomato salsa with tortilla chips.*

Makes 1 cup (250 ml)

- ¼ red bell pepper [about 1 ounce (30 g)], cut in ½-inch (1.25 cm) pieces [¼ cup (50 ml)]
- 1 small clove garlic, peeled
- ½ jalapeño pepper, stemmed and seeded, cut in ½-inch (1.25 cm) pieces
- ½ small red onion [about 1½ ounces (42 g)], peeled, cut in ½-inch (1.25 cm) pieces
- 1 mango [12–14 ounces (50 g)], peeled and pitted, cut in ½-inch (1.25 cm) pieces
- 1½ tablespoons (25 ml) fresh cilantro leaves
- 2 teaspoons (10 ml) fresh lime juice
- 1½ teaspoons (7 ml) rice vinegar (may use raspberry or white balsamic vinegar)
- ½ teaspoon (2 ml) honey

Insert the blade assembly in the prep bowl. Place the red bell pepper pieces in the prep bowl and use the pulse to coarsely chop, 6–8 pulses.

---

Transfer to a 1-quart (1 L) bowl and reserve. Add the garlic, jalapeño pepper and onion to the prep bowl, pulse 5 to 10 times to chop. Remove and add to chopped red pepper. Add mango and cilantro to prep bowl and pulse until mango reaches desired chopped consistency, about 10 to 20 pulses. Transfer to the bowl with the chopped red pepper and reserve. Stir in the lime juice, vinegar, and honey. Cover and let sit for 30 minutes to allow the flavours to blend. If not using immediately, cover and refrigerate. Mango Salsa is best when served the day it is prepared, but may be prepared up to one day ahead. Remove from the refrigerator 30 minutes before serving for best flavour.

*Nutritional information per 1/4 cup (50 ml) serving:*

*Calories 45 (3% from fat) • carb. 12g • pro. 1g • fat 0g  
• sat. fat 0g • chol. 0mg • sod. 28mg • calc. 11mg • fiber 1g*

## GUACAMOLE

*An all-time favourite, serve guacamole with tortilla chips or vegetable crudités.*

Makes ¾ cups (150 ml)

- 1 clove garlic, peeled and smashed
- 1 green onion, trimmed and cut in ½-inch (1.25 cm) pieces
- ½ jalapeño pepper, cored, seeded and cut in ½-inch (1.25 cm) pieces
- 1 ripe avocado [about 10 ounces (285g), peeled and pitted, cut into ¾-inch (1.9 cm) chunks
- 1 tablespoon (15 ml) fresh lime juice
- ¼ teaspoon (1 ml) cumin powder
- ¼ teaspoon (1 ml) powdered coriander
- ¼ teaspoon (1 ml) kosher salt

Insert the blade assembly in the prep bowl. Place the garlic, green onion and jalapeño pepper in the prep bowl. Pulse to chop, 10–12 times. Add avocado, lime juice, cumin, coriander and salt. Pulse to chop avocado, 10 times, then process continuously until desired consistency is reached, stopping every 20 to 30 seconds to scrape the bowl.

Transfer to a serving bowl, cover with plastic wrap placed directly on the guacamole and refrigerate for 30 minutes before serving to allow the flavours to blend.

*Nutritional analysis per tablespoon (15 ml):*

*Calories 25 (72% from fat) • carb. 2g • pro. 0g • fat 2g  
• sat. fat 0g • chol. 0mg • sod. 65mg • calc 3mg • fiber 1g*

---

### ROASTED PEPPER TAPENADE

Makes 1 cup (250 ml)

- 1 small garlic clove, peeled
- 1 12-ounce (375 g) jar of roasted peppers, drained, cut into 1-inch (2.5 cm) pieces
- ½ sun-dried tomato (oil packed)
- 2 tablespoons (30 ml) green pimento-stuffed olives, drained
- ½ teaspoon (2 ml) fresh thyme
- ½ teaspoon (2 ml) extra virgin olive oil
- pinch salt
- pinch pepper

Insert the blade assembly in the prep bowl. Place garlic in the prep bowl and process for 10–15 seconds; scrape bowl.

Add remaining ingredients to prep bowl pulse evenly 10–15 times to reach desired consistency. Season to taste. Serve with crackers or crostini.

*Nutritional information per 1/4 cup (50 ml) serving:*

*Calories 50 (42% from fat) • carb. 5g • pro. 1g • fat 2g  
• sat. fat 0g • chol. 0mg • sod. 481mg • calc. 16mg • fiber 1g*

### WHITE BEAN SPREAD

Makes 1¼ cups (300 ml)

- 1 small garlic clove, peeled
- 6 fresh sage leaves
- ½ ounce (14 g) tomato
- 1 can [19 ounces (540 g)] of cannellini beans (or other white beans), rinsed and drained
- 2 teaspoons (10 ml) extra virgin olive oil
- ½ teaspoon (2 ml) kosher salt
- fresh ground pepper to taste

Insert the blade assembly in the prep bowl. Place garlic in the prep bowl and process for 30 seconds. Add sage and pulse 4 times. Add tomato and pulse 4 times. Add remaining ingredients to prep bowl pulse evenly 6–10 times to reach desired consistency. Season to taste. Serve with crackers or as a topping for bruschetta. For a smoother spread, add 2–4 tablespoons (30–60 ml) water and process until smooth and creamy.

*Nutritional information per 1/4 cup (50 ml) serving:*

*Calories 120 (15% from fat) • carb. 20g • pro. 6g • fat 2g  
• sat. fat 0g • chol. 0mg • sod. 239mg • calc. 67mg • fiber 4g*

---

### TOMATO AND BASIL TOPPING FOR BRUSCHETTA

Makes 1 cup (250 ml)

- 1 small garlic clove, peeled
- 1½ tablespoon (25 ml) fresh basil leaves
- 1 pint (500 ml) grape tomatoes
- 3 teaspoons (15 ml) extra virgin olive oil
- ½ teaspoon (2 ml) salt

Insert the blade assembly in the prep bowl. Place garlic in the prep bowl and run for 30 seconds. Add basil and pulse 4 times.

Add remaining ingredients to prep bowl pulse about 10–15 times to reach desired consistency. Season to taste. Serve as topping for bruschetta.

*Nutritional information per serving:*

*Calories 50 (61% from fat) • carb. 4g • pro. 1g • fat 4g  
• sat. fat 1g • chol. 0mg • sod. 301mg • calc. 8mg • fiber 1g*

---

## DESSERTS

### CHOCOLATE PISTACHIO MACAROONS

*A change from the traditional almond macaroon.*

Makes about 30 cookies

- ¾ cup (175 ml) granulated sugar
- ½ cup (125 ml) shelled pistachios, unsalted
- ¼ cup (50 ml) Dutch processed cocoa
- 4 large egg whites
- 1 cup (250 ml) mini chocolate morsels

Preheat oven to 325°F (160°C). Line two 15 x 11½-inch (38 x 30 cm) baking sheets with parchment paper.

Insert the blade assembly in the prep bowl. Place ¼ cup (50 ml) of the sugar and the pistachios in the prep bowl and process for 30–40 seconds until finely ground. Add cocoa and pulse 6 times to incorporate.

Place egg whites in a glass or stainless mixing bowl. Insert the blender fitted with the whisk attachment and beat whites. After 1½ minutes add the remaining ½ cup (125 ml) of sugar. Whites should reach firm peaks after 3 minutes.

Fold the pistachio and cocoa mixture into the egg whites in three increments with a rubber spatula. Gently fold in the chocolate morsels, taking care not to deflate.

Drop the batter in spoonfuls [2 tablespoons (30 ml)] onto the prepared baking sheets. Bake in preheated 325°F (160°C) oven for 35–40 minutes, until the cookies lift easily from the baking sheet and cookie bottoms are smooth.

Transfer the parchment with the cookies from the hot pan to a cool surface. Peel off the paper and store in airtight container once cooled.

*Nutritional information per macaroon:*

*Calories 76 (38% from fat) • carb. 11g • pro. 1g • fat 3g  
• sat. fat 1g • chol. 0mg • sod. 11mg • calc. 4mg • fiber 2g*

### SWEET WHIPPED CREAM

*Sweetened whipped cream is the perfect finish for just about any dessert, or spoon a dollop over coffee or hot chocolate.*

Makes 2 cups (500 ml)

- 1¼ cups (300 ml) heavy cream, chilled
- 2 tablespoons (30 ml) granulated sugar
- 1½ teaspoons (7 ml) vanilla extract

---

Place the cream, sugar, and vanilla in a large stainless or glass mixing bowl. Insert the blender fitted with the whisk attachment. Start the blender but be careful to have the whisk just skim the surface of the cream. Blend until the cream gains some body and then move the blender in an up-and-down motion throughout the bowl. Whipped cream will reach soft peaks between 50–60 seconds.

*Nutritional information per serving [2 tablespoons (30 ml)]:*

*Calories 70 (86% from fat) • carb. 2g • pro. 0g • fat 7g  
• sat. fat 4g • chol. 25mg • sod. 7mg • calc 12mg • fiber 0g*

Variation:

Cocoa Whipped Cream: Place 1¼ cups (300 ml) heavy cream, 3 tablespoons (45 ml) granulated sugar, 1 tablespoon (15 ml) unsweetened cocoa, and 1 teaspoon (5 ml) vanilla in mixing bowl. Whip as directed.

### BERRY COULIS

*This versatile dessert sauce could not be easier.*

Makes 1¼ cup (300 ml)

- 1 12-ounce (375 g) bag of frozen mixed berries thawed
- ¼ cup (50 ml) granulated sugar
- ½ teaspoon (2 ml) fresh lemon juice

Place all ingredients in a 2½ quart (2.3 L) saucepan. Over medium heat bring mixture to a simmer and cook for about 5 minutes to melt the sugar. Insert the blender into the saucepan, making sure the protective guard is submerged. Blend, using an up-and-down motion until ingredients are well combined, about 30–40 seconds. Strain the sauce through a fine mesh strainer and serve.

*Nutritional information per 1/4 cup (50 ml) serving:*

*Calories 86 (4% from fat) • carb. 22g • pro. 0mg • fat 0g  
• sat. fat 0g • chol. 0mg • sod. 25mg • calc. 14mg • fiber 4g*

---

## WARRANTY

### Limited Three-Year Warranty

This warranty is available to consumers only. You are a consumer if you own a Cuisinart® Smart Stick® Hand Blender that was purchased at retail for personal, family or household use. Except as otherwise required under applicable law, this warranty is not available to retailers or other commercial purchaser or owners.

We warrant that your Cuisinart® Smart Stick® Hand Blender will be free of defects in materials and workmanship under normal home use for 3 years from the date of original purchase.

We suggest you complete and return the enclosed product registration card promptly to facilitate verification of the date of original purchase. However, return of the product registration card does not eliminate the need for the consumer to maintain the original proof of purchase in order to obtain the warranty benefits. In the event that you do not have proof of purchase date, the purchase date for purposes of this warranty will be the date of manufacture.

If your Cuisinart® Smart Stick® Hand Blender should prove to be defective within the warranty period, we will repair it, or if we think necessary, replace it. To obtain warranty service, simply call our toll-free number 1-800-472-7606 for additional information from our Customer Service Representatives or send the defective product to Customer Service at Cuisinart, 156 Parkshore Drive, Brampton, Ontario L6T 5M1.

To facilitate the speed and accuracy of your return, please enclose \$10.00 for shipping and handling of the product.

**NOTE:** For added protection and secure handling of any Cuisinart® product that is being returned, we recommend you use a traceable, insured delivery service. Cuisinart cannot be held responsible for in-transit damage or for packages that are not delivered to us. Lost and/or damaged products are not covered under warranty.

Please be sure to include your return address, daytime phone number, description of the product defect, product model # (located on bottom of product), original date of purchase, and any other information pertinent to the product's return.

Your Cuisinart® Smart Stick® Hand Blender has been manufactured to the strictest specifications and has been designed for use with the authorized accessories and replacement parts.

This warranty expressly excludes any defects or damages caused by accessories, replacement parts, or repair service other than those that have been authorized by Cuisinart.

---

This warranty does not cover any damage caused by accident, misuse, shipment or other ordinary household use.

This warranty excludes all incidental or consequential damages.



---

# Cuisinart®

SAVOR THE GOOD LIFE®



Coffeemakers  
Cafetières



Food Processors  
Robots de cuisine



Toaster Ovens  
Fours grilloirs



Blenders  
Mélangeurs



Cookware  
Batterie de cuisine



Ice Cream  
Makers  
Sorbetières

Cuisinart offers an extensive assortment of top quality products to make life in the kitchen easier than ever. Try some of our other countertop appliances and cookware, and Savor the Good Life®.

Cuisinart offre une vaste gamme de produits de première qualité pour vous faciliter la tâche dans la cuisine. Essayez quelques-uns de nos petits appareils et notre batterie de cuisine et...savourer la bonne vie®.

**[www.cuisinart.ca](http://www.cuisinart.ca)**

©2005 Cuisinart  
Cuisinart® is a registered  
trademark of Cuisinart  
Cuisinart® est une marque  
de commerce déposée de Cuisinart

Cuisinart Canada  
156 Parkshore Drive  
156, chemin Parkshore  
Brampton, Ontario  
L6T 5M1

Printed in China  
Imprimé en Chine  
04CC18117

**IB-5338-CAN**

## GARANTIE LIMITÉE DE TROIS ANS

### Garantie limitée de trois ans

Cette garantie remplace toute garantie antérieure sur les Mélangeurs à main Smart Stick® de Cuisinart®. Cette garantie n'est offerte qu'aux consommateurs. Est considéré consommateur tout propriétaire d'un Mélangeur à main Smart Stick® de Cuisinart® acheté au détail aux fins d'un usage personnel, familial ou ménager. Cette garantie ne s'étend pas aux détaillants ni autres acheteurs ou propriétaires commerciaux.

Nous garantissons votre Mélangeur à main Smart Stick® de Cuisinart® contre les vices de matière et de fabrication pour une période de 3 (trois) ans à partir de la date originale d'achat.

Nous vous recommandons de remplir et de retourner la carte d'inscription de la garantie sans tarder afin de faciliter la vérification de la date d'achat originale. Toutefois, le renvoi de la carte n'est pas une condition de garantie et le client doit retenir la preuve d'achat originale pour avoir droit aux provisions de la garantie. Advenant que vous n'ayez pas de preuve de date d'achat, la date d'achat sera alors la date de manufacture, aux fins de cette garantie.

Advenant que votre Mélangeur à main Smart Stick® de Cuisinart® fasse défaut au cours de la période de garantie, nous le réparerons ou, si nous le jugeons nécessaire, le remplacerons sans frais. Pour obtenir un service au titre de la garantie, veuillez communiquer avec le service après-vente au 1-800-472-7606 pour obtenir les détails pertinents de nos préposés au service consommateurs ou envoyez le produit défectueux à Service à la clientèle, Cuisinart, 156, chemin Parkshore, Brampton, Ont. L6T 5M1. Afin d'accélérer le renvoi, nous vous prions de joindre un chèque ou mandat-poste de 10,00 \$ pour les frais d'administration du produit.

**REMARQUE :** Pour plus de protection et assurer une meilleure maintenance de tout produit Cuisinart® que vous retourniez, nous vous recommandons de vous adresser à un service de livraison assuré et traçable. La maison Cuisinart ne peut être tenue responsable des dommages encourus lors du transport ou des envois qui ne lui sont parvenus. La garantie ne couvre pas les produits perdus et / ou endommagés..

Assurez-vous d'inclure une adresse de renvoi, votre numéro de téléphone de jour, une description du défaut du produit, le numéro de modèle (située sous le produit), la date originale d'achat et tout autre renseignement concernant le renvoi du produit.

Votre Mélangeur à main Smart Stick® de Cuisinart® a été fabriqué selon des normes strictes de qualité et a été conçu pour n'être utilisé qu'avec des accessoires et des pièces de rechange autorisés par Cuisinart. Cette garantie ne couvre pas tout défaut ou dommage causé par l'utilisation de pièces ou d'accessoires non recommandés par Cuisinart, ou par des réparations effectuées par un centre de réparation non autorisé par Cuisinart. Ces garanties ne couvrent pas les dommages causés par des accidents, une mauvaise utilisation, le transport ou tout autre dommage autre que l'usage ménager normal. Cette garantie fait exclusion de tout dommage accessoire ou indirect.

facilement de la plaque et que leur dessous soit lisse.  
Transférez la feuille de papier sulfurisé avec les macarons de la plaque chaude à une surface fraîche. Pelez le papier et entreposez dans un récipient hermétique une fois refroidis.

*Calories : 78 (38 % des matières grasses) • glucides : 11g • protéines : 1 g • matières grasses : 3 g • gras saturés : 1 g • cholestérol : 0 mg • sodium : 11 mg*  
*• calcium : 4 mg • fibres : 2 g*

## CRÈME FOUETTÉE DOUCE

*La crème fouettée douce est le complément parfait de tous les desserts, ou presque tous. Parachève la tasse de café ou de chocolat chaud.*

Donne 500 ml (2 tasses)

300 ml (1-1/4 tasse) de crème épaisse, refroidie

30 ml (2 c. à table) de sucre

7 ml (1-1/2 c. à thé) d'extrait de vanille

Placez la crème, le sucre et la vanille dans un grand bol à mélanger en verre ou en acier inoxydable. Insérez le mélangeur avec le fouet.

Demarrez le mélangeur mais faites en sorte que le fouet ne frôle que la surface de la crème. Mélangez jusqu'à ce que la crème commence à

épaissir puis déplacez le mélangeur partout dans le bol dans un mouve-

ment de haut en bas. Il faudra 50 à 60 secondes pour que la crème

fouettée forme des pics mous.

*Analyse nutritionnelle par portion :*

*Calories : 70 (86 % des matières grasses) • glucides : 2g • protéines : 0 g •*

*matières grasses : 7 g • gras saturés : 4 g • cholestérol : 25 mg • sodium : 7 mg*

*• calcium : 12 mg • fibres : 0 g*

Variante :

Crème fouettée au chocolat : Placez 300 ml (1-1/4 tasse) de crème

épaisse, 45 ml (3 c. à table) de sucre, 15 ml (1 c. à table) de poudre de

cacao non sucré et 5 ml (1 c. à thé) de vanille dans le bol à mélanger.

Fouettez tel qu'indiqué ci-dessus.

## COULIS AUX PETITS FRUITS

*Cette exquisite sauce à dessert se prépare d'un rien.*

Donne environ 300 ml (1-1/4 tasse)

375 g (12 oz) de petits fruits mélangés surgelés, décongelés

50 ml (1/4 tasse) de sucre

2 ml (1/2 c. à thé) de jus de citron frais

Mettez tous les ingrédients dans une casserole de 2,3 L (2-1/2 pintes). Faites cuire le mélange à petit feu pendant 5 minutes pour faire fondre le sucre. Insérez le mélangeur dans la casserole, vous assurerez que le protége-lame est immergé. Mélangez dans un mouvement de haut en bas jusqu'à ce que les ingrédients soient bien combinés, de 30 à 40 secondes environ. Passez la sauce au chinois et servez.

*Analyse nutritionnelle par portion :*

*Calories : 128 (0 % des matières grasses) • glucides : 33 mg • protéines : 1 g •*

*matières grasses : 0 g • gras saturés : 0 g • cholestérol : 0 mg • sodium : 5 mg*

*• calcium : 14 mg • fibres : 2 g*

1 petite gousse d'ail, pelée  
Donne environ 250 ml (1 tasse)

### BASILIC POUR BRUSCHETTA

*Analyse nutritionnelle par 50 ml (1/4 tasse) :*  
Calories : 120 (15 % des matières grasses) • glucides : 20 mg • protéines : 6 g  
Matières grasses : 2 g • gras saturés : 0 g • cholestérol : 0 mg • sodium : 239 mg  
• calcium : 67 mg • fibres : 4 g

Insérez la lame dans le bol du hachoir-broyeur. Placez l'ail dans le bol et malaxez pendant 30 secondes. Ajoutez la sauge et malaxez par pulsation 4 fois. Ajoutez la tomate et malaxez par pulsations de 6 à 10 fois pour obtenir la consistance voulue. Assaisonnez au goût. Servez avec des craquelins ou comme garniture à bruschetta. Pour une tartinade plus lisse, ajoutez de 30 à 60 ml (2 à 4 c. à table) d'eau et malaxez jusqu'à ce que le mélange soit lisse et crémeux.

2 ml Poivre frais moulu au goût  
2 ml (1/2 c. à thé) de sel cachet  
10 ml (2 c. à thé) d'huile d'olive vierge extra  
(540 g – 19 oz), rincées et égouttées  
1 boîte de fèves cannellini ou autres fèves blanches  
14 g (1/2 oz) de tomates  
6 feuilles de sauge frais  
1 petite gousse d'ail, pelée  
Donne environ 300 ml (1-1/4 tasse)

### TARTINADE AUX FÈVES BLANCHES

*Analyse nutritionnelle par 15 ml (1 c. à table) :*  
Calories 50 (42 % provenant du gras) • Glucides 52 g • Protéines 1 g •  
Matières grasses 2 g • Gras saturés 0 g • Cholestérol 0 mg • Sodium 481 mg  
• Calcium 16 mg • Fibres 1 g

Insérez la lame dans le bol du hachoir-broyeur. Placez l'ail dans le bol et malaxez pendant 10 à 15 secondes; raclez le récipient. Ajoutez le reste des ingrédients; malaxez par pulsation de 10 à 15 fois pour obtenir la consistance voulue. Assaisonnez au goût. Servez avec des craquelins ou crostini.

2 ml (1/2 c. à thé) de thym frais  
2 ml (1/2 c. à thé) d'huile d'olive vierge extra  
Pincée de sel  
Pincée de poivre

Insérez la lame dans le bol du hachoir-broyeur. Placez 50 ml (1/4 tasse) de sucre et les pistaches dans le bol et hachez pendant 30 à 40 secondes jusqu'à mouture fine. Ajoutez la poudre de cacao et combinez par pulsation, 6 fois.  
Préchauffez le four à 160° C (325° F). Tapissez deux plaques à biscuits de 38 x 30 cm (15 x 11-1/2 po) de papier sulfurisé.  
Insérez la lame dans le bol du hachoir-broyeur. Placez 50 ml (1/4 tasse) de sucre et les pistaches dans le bol et hachez pendant 30 à 40 secondes jusqu'à mouture fine. Ajoutez la poudre de cacao et combinez par pulsation, 6 fois.  
Dans un bol en verre ou en acier inoxydable, fouettez les blancs d'œuf à l'aide du fouet pendant 1-1/2 minutes, puis ajoutez les 125 ml (1/2 tasse) de sucre qui reste. Les œufs devraient former des pics fermes au bout de 3 minutes.

Incorporez le mélange de pistaches et de cacao dans les blancs d'œuf en trois ajouts au moyen d'une spatule en caoutchouc. Mélangez délicatement les pépites de chocolat, en faisant bien attention de ne pas dégonfler les blancs d'œufs.

Déposez 30 ml à la fois (2 c. à table) sur les plaques à biscuits recouvertes de papier. Faites cuire dans le four préchauffé à 160° C (325° F) pendant 35 à 40 minutes, jusqu'à ce que les macarons se détachent.

250 ml (1 tasse) de mini pépites de chocolats  
4 blancs d'œufs (gros)  
50 ml (1/4 tasse) de poudre de cacao alcalinisé  
125 ml (1/2 tasse) de pistaches écaillées, non salées  
175 ml (3/4 tasse) de sucre

Donne environ 30 macarons

*Un délicieux changement des macarons aux amandes traditionnels.*

### MACARONS AU CHOCOLAT ET PISTACHES

## DESSERTS / SAUCES SUCRÉES

*Analyse nutritionnelle par 50 ml (1/4 tasse) :*  
Calories : 50 (61 % des matières grasses) • glucides : 4 mg • protéines : 1 g •  
Matières grasses : 42 g • gras saturés : 1 g • cholestérol : 0 mg • sodium : 301 mg  
• calcium : 8 mg • fibres : 1 g

Insérez la lame dans le bol du hachoir-broyeur. Placez-y l'ail et malaxez pendant 30 secondes. Ajoutez le basilic et malaxez par pulsation, 4 fois. Ajoutez le reste des ingrédients et malaxez par pulsation, 10 à 15 fois pour obtenir la consistance voulue. Assaisonnez au goût. Sert comme garniture pour bruschetta.

25 ml (1-1/2 c. à table) de basilic frais  
1 chopine de tomates en grappes  
15 ml (3 c. à table) d'huile d'olive vierge extra  
2 ml (1/2 c. à thé) de sel

Insérez la lame dans le bol du hachoir-broyeur. Placez les morceaux de poivron rouge dans le bol et hachez grossièrement par pulsation, de 6 à 8 fois. Transférez dans un bol de 1 L (1 pinte) et réservez. Ajoutez l'ail, le piment jalapeño et l'oignon dans le bol du hachoir-broyeur, hachez par pulsation, 5 à 10 fois. Réitirez et ajoutez au bol de poivrons rouges. Ajoutez la mangue et hachez par pulsation jusqu'à ce que la mangue soit à la consistance voulue, environ 10 à 20 pulsations. Transférez au bol de poivrons rouges. Ajoutez ensuite le jus de lime, le vinaigre et le miel en remuant. Couvrez et laissez reposer pendant 30 minutes pour permettre aux saveurs de s'épanouir. Si vous ne l'utilisez pas immédiatement, couvrez et mettez au réfrigérateur. La Sauce aux mangues est meilleure lorsque servie le jour de sa préparation, mais elle

2 ml	(1/2 c. à thé) de miel
7 ml	(1-1/2 c. à thé) de vinaigre de riz (ou vinaigre de framboise ou vinaigre balsamique blanc)
10 ml	(2 c. à thé) de jus de lime fraîche
25 ml	(1-1/2 c. à table) de feuilles de coriandre fraîche
1	mangue (50 g – 1/2 à 14 oz) pelée, sans noyau, en morceaux de 1,25 cm (1/2 po)
1/2	petit oignon rouge (environ 42 g – 1-1/2 oz), pelé en morceaux (1/2 po)
1/2	piment jalapeño, équeuté et évide, en morceaux de 1,25 cm
1	petite gousse d'ail, pelée
1/4	de poivron rouge (30 g – environ 1 oz) en morceaux de 1,25 cm (1/2 po), environ 1/4 tasse

Donne environ 250 ml (1 tasse)

*Succulente avec le poisson grillé tel que le saumon, le thon, l'espadon et les pétoncles, elle accompagne très bien également le poulet, le canard ou la longe de porc grillée. Essayez-la pour remplacer la sauce tomate sur les chips tortillas.*

## SAUCE À LA MANGUE

Calories 98 (98 % provenant du gras) • Gras saturés 1 g • Cholestérol 2 mg • Sodium 29 g • Protéines 0 g

Analyse nutritionnelle par 15 ml (1 c. à table) :

Mettez tous les ingrédients dans le bol du hachoir-broyeur dans l'ordre indiqué. Insérez-y le mélangeur, tenant la lame au fond du bol et mélangez jusqu'à ce que le mélange commence à épaissir, environ 15 secondes. Continuez de mélanger, dans un léger mouvement de haut en bas jusqu'à épaississement, 20 à 30 secondes de plus environ.

peut être préparée un jour à l'avance. Réitirez du réfrigérateur 30 minutes avant de servir pour en relever le goût.

Analyse nutritionnelle par 50 ml (1/4 tasse) :

Calories 45 (3 % provenant du gras) • Gras saturés 12 g • Glucides 1 g • Protéines 1 g • Sodium 28 g

Calcium 11 mg • Fibres 1 g

## GUACAMOLE

Toujours populaire, la guacamole se sert avec les chips tortillas ou les crudités.

Donne environ 150 ml (2/3 tasse)

1	gousse d'ail, pelée et écrasée
1	oignon vert, épluché, en morceaux de 1,25 cm (1/2 po)
1/2	piment jalapeño, épine et évide, en morceaux de 1,25 cm (1/2 po)
1	avocat mur (environ 285 g – 10 oz), pelé, dénoyauté, en morceaux de 1,9 cm (3/4 po)

15 ml

(1 c. à thé) de jus de lime fraîche

1 ml

(1/4 c. à thé) de cummin moulu

1 ml

(1/4 c. à thé) de coriandre en poudre

1 ml

(1/4 c. à thé) de sel cachet

Insérez la lame dans le bol du hachoir-broyeur. Mettez-y l'ail, l'échalote et le piment jalapeño; hachez par pulsation, 10 à 12 fois. Ajoutez l'avocat, le jus de lime, le cummin, la coriandre et le sel. Hachez l'avocat par pulsation environ 10 fois puis procédez par action continue jusqu'à consistance voulue, arrêtant toutes les 20 à 30 secondes pour raclez le récipient. Transférez à un bol de service, placez une pellicule de plastique directement sur la guacamole et réfrigérez pendant 30 minutes avant de servir pour en relever la saveur.

Analyse nutritionnelle par 15 ml (1 c. à table) :

Calories 25 (72 % provenant du gras) • Glucides 2 g • Protéines 0 g • Gras saturés 2 g • Cholestérol 0 mg • Sodium 65 g

Calcium 3 mg • Fibres 1 g

## TAPENADE AUX PIMENTS RÔTIS

Donne environ 250 ml (1 tasse)

1	petite gousse d'ail, pelée
1	local de 375 g (12 oz) de piments rôtis, égouttés, en morceaux de 2,5 cm (1 po)
1/2	tomate séchée au soleil (conservée dans l'huile)
30 ml	(2 c. à table) d'olives farcies de piment verts, égouttées

30 g (1 oz) de fromage Parmigiano-Reggiano, en dés  
 Donne environ 325 ml (1-1/3 tasse)  
*Semblable à une sauce César, mais l'ail grillé lui donne un goût plus raffiné.*

## GARNITURE DE PARMESAN CRÈMEUX ET AIL GRILLÉ

*Analyse nutritionnelle par 15 ml (1 c. à table) :*  
 Calories 91 (98 % provenant du gras) • Glucides 0 g • Protéines 0 g  
 Matières grasses 10 g • Gras saturés 1 g • Cholestérol 0 mg • Sodium 23 g  
 Calcium 0 mg • Fibres 0 g

Placez tous les ingrédients dans le bol du hachoir-broyeur. Mélangez jusqu'à ce qu'ils soient tous combinés, environ 10 à 15 secondes. Toute portion non utilisée peut être gardée dans un récipient hermétique au réfrigérateur pendant 2 semaines.

Placez tous les ingrédients dans le bol du hachoir-broyeur. Mélangez

jusqu'à ce qu'ils soient tous combinés, environ 10 à 15 secondes. Toute portion non utilisée peut être gardée dans un récipient hermétique au réfrigérateur pendant 2 semaines.

Seul cachet et poivre frais moulu au goût  
 175 ml (3/4 tasse) huile d'olive ou à salade  
 15 ml (1 c. à table) moutarde de Dijon  
 50 ml (1/4 tasse) vinaigre de vin  
 Donne environ 250 ml (1 tasse)

*Utilisez cette recette de base pour créer d'autres versions excellentes. Il suffit de remplacer l'huile par une huile aromatisée. Vous pouvez également y donner un goût nouveau en ajoutant de l'ail écrasé ou grillé, des échalotes émincées finement, des herbes fraîches ou deshydratées, des tomates séchées au soleil, du miel, du jus de citron ou des vinaigres aromatisés.*

## VINAIGRETTE TYPE

*Analyse nutritionnelle par 50 ml (1/4 tasse) :*  
 Calories : 60 (25 % des matières grasses) • glucides : 9 mg • protéines : 2 g •  
 matières grasses : 2 g • gras saturés : 2 g • cholestérol : 0 mg • sodium : 351 mg  
 calcium : 29 mg • fibres : 3 g

Insérez le mélangeur dans la casserole, vous assurez que le protégé-lame est immergé. Mélangez dans un léger mouvement de haut en bas jusqu'à ce que les ingrédients soient bien combinés, 50 à 60 secondes, environ.

pendant 25 minutes de plus.  
 Insérez le mélangeur dans la casserole, vous assurez que le protégé-lame est immergé. Mélangez dans un léger mouvement de haut en bas jusqu'à ce que les ingrédients soient bien combinés, 50 à 60 secondes, environ.

ajoutez-les à la casserole, remuant bien chaque ajout. Une fois les carottes ajoutées, remuez et laissez cuire les légumes à feu doux pendant 15 minutes. Ajoutez le vin blanc et faites-le réduire à 15 ml (1 c. à table). Ajoutez le thym, le sel et les tomates. Faites cuire à feu doux pendant 25 minutes de plus.

50 g (1/4 tasse) de produit d'œuf liquide pasteurisé (tel que Eggbeaters®)  
 15 ml (1 c. à table) de jus de citron frais  
 7 ml (1/2 c. à table) de moutarde Dijon  
 250 ml (1 tasse) d'huile végétale  
 1 ml (1/4 c. à thé) de sel cachet  
 1 ml (1/4 c. à thé) de poivre blanc moulu  
 Donne environ 300 ml (1-1/4 tasse)

*Se prépare en quelques minutes seulement.*

## MAYONNAISE

Eggbeaters® est une marque déposée de Nabisco Inc.

\*Pour griller l'ail : Placez 12 gousses d'ail pelées ou plus dans une double épaisseur de papier aluminium, arrosez de 15 ml (1 c. à table) d'huile d'olive et repliez le papier pour sceller. Placez au four à 190°C (375°F) pendant 30 à 40 minutes, jusqu'à ce qu'elles soient tendres et dorées. Si vous préférez ne pas griller l'ail, vous pouvez le faire blanchir jusqu'à ce qu'il soit tendre.

*Analyse nutritionnelle par 15 ml (1 c. à table) :*  
 Calories 53 (89 % provenant du gras) • Glucides 1 g • Protéines 1 g •  
 Matières grasses 5 g • Gras saturés 1 g • Cholestérol 4 mg • Sodium 82 g  
 Calcium 18 mg • Fibres 0 g

Insérez la lame dans le bol du hachoir-broyeur. Placez les dés de fromage dans le récipient. Hachez par pulsation, 10 fois, puis par action continue pour hacher finement, environ 15 à 20 secondes. Ajoutez les ingrédients qui restent et mélangez pendant 30 à 40 secondes, jusqu'à ce que le mélange soit onctueux et entièrement émulsifié.

Sauce Tabasco® ou autre sauce piquante au choix  
 250 ml (1 tasse) d'huile d'olive vierge extra  
 5 ml (1 c. à thé) de poivre frais moulu  
 5 ml (1 c. à thé) de sauce Worcestershire  
 15 ml (1 c. à table) de pâte d'anchois  
 15 ml (1 c. à table) de moutarde Dijon  
 pasteurisé (tel que Eggbeaters®)  
 30 ml (2 c. à table) de mayonnaise allégée ou de produit d'œuf liquide  
 30 ml (2 c. à table) de vinaigre de vin blanc ou rouge  
 30 ml (2 c. à table) de jus de citron frais  
 4 gousses d'ail grillé\*  
 de 2,5 cm (1/2 po)

Insérez la lame dans le bol du hachoir-broyeur. Placez l'oignon dans le récipient et hachez par pulsation environ 8 fois.

Faites chauffer l'huile d'olive dans une casserole de 3 L (3 pintes) sur feu modéré. Ajoutez l'oignon haché et les gousses d'ail écrasées et réduisez la chaleur à bas. Placez le reste des légumes, un à la fois, dans le bol du hachoir-broyeur. Placez l'oignon dans le récipient et hachez par pulsation environ 8 fois.

Insérez la lame dans le bol du hachoir-broyeur. Placez l'oignon dans le récipient et hachez par pulsation environ 8 fois.

1 boîte de tomates en cubes (875 g – 28 oz) du commerce  
4 ml (3/4 c. à thé) de sel  
1 tige de thym frais  
1 petite carotte, pelée, en morceaux de 2,5 cm (1 po)  
85 g (3 oz) de courge d'été, en morceaux de 2,5 cm (1 po)  
85 g (3 oz) de zucchini, en morceaux de 2,5 cm (1 po)  
85 g (3 oz) d'aubergine, pelée en morceaux de 2,5 cm (1 po)  
100 g (3-1/2 oz) de poivrons rouges, en morceaux de 2,5 cm (1 po)  
2 gousses d'ail, pelées et écrasées  
125 g (4 oz) d'oignons jaunes coupés en quartiers  
15 ml (1 c. à table) d'huile d'olive

Donne environ 1 L (4 tasses)

*Une sauce tomate saine, fraîche et délicate sur les pâtes de blé entier garnies de fromage fêta émietté*

### SAUCE TOMATE JARDINIÈRE

*Analyse nutritionnelle par 50 ml (1/4 tasse) :*  
Calories : 39 (35 % des matières grasses) • glucides : 5 mg • protéines : 1 g • matières grasses : 2 g • gras saturés : 1 g • cholestérol : 3 mg • sodium : 476 mg • calcium : 59 mg • fibres : 1 g

Placez dans le récipient et hachez par pulsation, 6 fois.

Pelez les piments refroidis, jetez la peau, les graines et les pédoncules. Insérez la lame dans le bol du hachoir-broyeur. Placez-y l'oignon, l'ail et le piment jalapeño et hachez par pulsation, environ 8 fois.

Mettez une sauteuse de 3,3 L (3-1/2 pintes) sur un feu moyen et ajoutez-y le beurre. Ajoutez le mélange d'oignon, d'ail et de jalapeño et faites sauter pendant 4 à 5 minutes, jusqu'à ce que les ingrédients soient tendres. Ajoutez en remuant les piments verts et faites cuire pendant 1 minute de plus. Ajoutez la farine et remuez pour cuire pendant 2 minutes. Ajoutez le bouillon et portez à ébullition. Ajoutez le sel et réduisez la chaleur; faites cuire à feu doux pendant 25 minutes. Insérez le mélangeur dans la casserole, vous assurant que le protégé-lame est immergé. Mélangez dans un léger mouvement de haut en bas jusqu'à ce que les ingrédients soient bien combinés, 40 à 50 secondes, environ, jusqu'à ce que la sauce atteigne la consistance voulue.

Préchauffez le four à 230° C (450° F). Placez les piments verts sur une plaque à biscuits et faites rôtir jusqu'à ce qu'ils soient très foncés et que la peau se détache du piment, environ 30 minutes. Placez les piments grillés dans un bol à mélanger et couvrez d'une pellicule de plastique pour permettre à la peau de se détacher, environ 15 minutes.

2 ml (1/2 c. à thé) de sel cachet  
1 ml (1/4 c. à thé) poivre frais moulu  
50 ml (1/4 tasse) de vin blanc sec  
50 ml (1/4 tasse) de bouillon de poulet  
Faites chauffer l'huile d'olive dans une casserole de 2,3 L (2-1/2 pintes) sur feu modéré à bas. Ajoutez l'oignon, l'ail, le poivron rouge, le sel et le poivre et remuez pour couvrir. Réduisez la chaleur à bas, couvrez légèrement et laissez suer lentement jusqu'à ce que les ingrédients soient tendres, de 15 à 20 minutes environ. Assurez-vous que les légumes ne changent pas de couleur.

Une fois les légumes tendres, ajoutez le vin et augmentez la température pour porter le vin à ébullition. Faites réduire le vin jusqu'à ce qu'il reste 15 ml (1 c. à table). Ajoutez le bouillon et menez à ébullition. Réduisez la chaleur à modéré / bas et faites cuire à feu doux pendant 10 minutes environ. Insérez le mélangeur dans la casserole, vous assurant que le protégé-lame est immergé. Mélangez, dans un léger mouvement de haut en bas jusqu'à ce que les ingrédients soient bien combinés, de 50 à 60 secondes environ.

750 g (1-1/2 lb) de piments verts Anaheim ou du Nouveau-Mexique

1 petit oignon (92 g – 3-1/4 oz environ) en quartiers

1 grosse gousse d'ail, pelée

1 piment jalapeño (14 g – 1/2 oz environ), coupé en deux,

15 ml (1 c. à table) de beurre non salé

15 ml (1 c. à table) de farine

375 ml (1-1/2 tasse) de bouillon de poulet

4 ml (3/4 c. à thé) de sel cachet

*Cette sauce excellente avec vos mets mexicains favoris peut également servir de base à un délicieux ragout du sud-ouest.*

### SAUCE AUX PIMENTS VERTS

*Analyse nutritionnelle par 125 ml (1/2 tasse) :*  
Calories : 41 (33 % des matières grasses) • glucides : 58 mg • protéines : 1 g • matières grasses : 2 g • gras saturés : 0 g • cholestérol : 0 mg • sodium : 148 mg • calcium : 13 mg • fibres : 1 g

15 ml	(1 c. à table) d'huile d'olive
125 g	(4 oz) de poireaux, lavés et parés, partie verte enlevée, tranchés
5 ml	(1 c. à thé) de poudre de cari
1 ml	(1/4 c. à thé) de curcuma
2 ml	(1/2 c. à thé) sel cachet
1	chou-fleur d'environ 795 g (1-3/4 lb) en petits fleurons
100 g	(3-1/2 oz) de pommes de terre rouge, pelées, en dés
125 ml	(1/2 tasse) de vin rouge
875 ml	(3-1/2 tasse) de bouillon de poulet ou de légumes
5 ml	(1 c. à thé) de jus de citron ou de lime

Placez une casserole de 4 L (4 pintes) sur un feu moyen et ajoutez-y l'huile d'olive. Ajoutez les poireaux et faites suer de 6 à 8 minutes jusqu'à ce qu'ils soient très tendres. Ajoutez la poudre de cari, le curcuma et le sel et faites cuire de 1 à 2 minutes. Ajoutez les fleurons de chou-fleur et les pommes de terre. Remuez pour couvrir d'épices et faites cuire 5 minutes de plus pour les attendrir légèrement. Ajoutez le vin blanc et montez la chaleur pour porter à ébullition. Faites réduire le vin jusqu'à ce qu'il n'en reste qu'une petite quantité. Ajoutez juste assez de bouillon pour recouvrir les légumes. Portez à ébullition puis réduisez la chaleur à mode / bas. Faites cuire à feu doux pendant 25 minutes ou jusqu'à ce que les légumes soient très tendres.

Insérez le mélangeur dans la casserole, vous assurant que le protégé-lame est immergé. Mélangez, dans un léger mouvement de haut en bas jusqu'à ce que les ingrédients soient bien combinés, de 45 à 50 secondes environ. Ajoutez le jus de citron. Goûtez et assaisonnez au goût.

*Analyse nutritionnelle par portion de 125 ml (1/2 tasse) :*  
 Calories : 71 (22 % des matières grasses) • glucides : 10 g • protéines : 4 g  
 matières grasses : 2 g • gras saturés : 0 g • cholestérol : 0 mg • sodium : 350 mg  
 calcium : 39 mg • fibres : 3 g

### COULIS DE POIVRONS ROUGES

*Cette sauce accompagne tout aussi bien le poulet que le poisson, la viande de crabe et les pâtes*

Donne 625 ml (2-1/2 tasses)

15 ml	(1 c. à table) d'huile d'olive
1	oignon jaune moyen, pelé et haché gros
6	gousses d'ail, pelées et écrasées
3	poivrons rouges moyen (environ 175 g – 6 oz chacun) évités et hachés gros

### SOUPE AU CHOU-FLEUR ET CARI

Donne 1,25 L (5 tasses)

*Analyse nutritionnelle par portion de 125 ml (1/2 tasse) :*  
 Calories : 81 (28 % des matières grasses) • glucides : 10 g • protéines : 4 g  
 matières grasses : 3 g • gras saturés : 1 g • cholestérol : 6 mg • sodium : 525 mg  
 calcium : 36 mg • fibres : 2 g

Servez la soupe chaude, garnie des pointes d'asperge qui restent. Froide pour arrêter la cuisson.

Pendant que la soupe cuit, faites bouillir 500 ml (2 tasses) d'eau. Ajoutez les pointes d'asperge et faites cuire pendant 2 minutes jusqu'à ce qu'elles soient vert brillant. Egouttez et plongez immédiatement dans un bol d'eau froide pour arrêter la cuisson.

Insérez l'assemblage de lame dans le bol du hachoir-broyeur. Placez les échalotes dans le récipient, connectez le manche au couvercle du hachoir-broyeur, placez-le sur le bol et hachez finement 10 fois par pulsation.

Faites fondre le beurre dans une casserole de 3 L (3 pintes) sur feu moyen à bas. Ajoutez les échalotes et l'ail écrasé et faites suer pendant 5 minutes. Ne laissez pas les échalotes et l'ail brunir.

Pendant ce temps, coupez les asperges en morceaux de 1,25 cm (1/2 po) et réservez les pointes. Une fois les échalotes tendres, ajoutez les asperges et les pommes de terre et faites cuire pendant 6 minutes de plus, jusqu'à ce que les asperges soient brillantes. Ajoutez le vin et montez la chaleur pour porter le vin à ébullition. Faites réduire le vin jusqu'à ce qu'il reste à peine une cuillère à table. Laissez cuire à feu doux pendant 20 minutes jusqu'à ce que les légumes soient tendres. Insérez le mélangeur dans la casserole, vous assurant que le protégé-lame est immergé. Mélangez dans un léger mouvement de haut en bas pour bien combiner les ingrédients, de 40 à 50 secondes environ. Assaisonnez de sel, poivre et basilic. Ajoutez ensuite la crème (facultatif).



## LAIT FRAPPÉ AU CAFÉ CONGELÉ

*Analyse nutritionnelle pour un lait frappé :*  
 Calories : 286 (2 % des matières grasses) • glucides : 63 g • protéines : 11 g •  
 matières grasses : 1 g • gras saturés : 0 g • cholestérol : 4 mg • sodium : 133 mg •  
 calcium : 371 mg • fibres : 6 g

Donne 1 boisson de 340 ml (12 onces)

425 ml (1-3/4 tasse) de crème glacée ou de lait glacé au café  
 125 ml (1/2 tasse) de café filtré (ou café express)  
 30 ml (2 c. à table) de lait écrémé

Mettez tous les ingrédients dans le gobelet à mesurer / mélangeur.  
 Insérez-y le mélangeur, vous assurerez que le protégé-lame est immergé.  
 Mélangez, dans un léger mouvement de haut en bas jusqu'à ce que les  
 ingrédients soient combinés, de 20 à 30 secondes environ.

Pour un lait frappé à consistance plus épaisse :

Rempilsez le gobelet à mesurer / mélangeur de crème glacée au café  
 jusqu'au repère de 1 tasse (250 ml). Ajoutez 50 ml (1/4 tasse) de café  
 filtré et 15 ml (1 c. à table) de lait écrémé. Mélangez en procédant comme  
 ci-dessus.  
 Variante « Mudslide » :

Ajoutez 15 ml (1 c. à table) de chaque liqueur : Irish Cream et Kahlua®.

*Analyse nutritionnelle par lait frappé :*

Calories : 215 (44 % des matières grasses) • glucides : 26 g • protéines : 5 g •  
 matières grasses : 11 g • gras saturés : 7 g • cholestérol : 45 mg • sodium : 105 mg  
 calcium : 172 mg • fibres : 0 g

Kahlua® est une marque déposée, propriété de Kahlua Company.

## MARGARITA AUX PÊCHES

Donne 500 ml (2 tasses)

250 ml (1 tasse) de pêches congelées  
 250 ml (1 tasse) de jus d'agrumes (orange, lime, citron ou toute  
 combinaison)  
 75 ml (1/3 tasse) de Tequila de bonne qualité  
 7 ml (1/2 c. à thé de triple-sec ou Grand Marnier®)  
 5 - 10 ml (1 - 2 c. à table) de sucre

Mettez tous les ingrédients dans le gobelet à mesurer / mélangeur.  
 Insérez-y le mélangeur, vous assurerez que le protégé-lame est immergé.  
 Mélangez, dans un léger mouvement de haut en bas jusqu'à ce que les  
 ingrédients soient combinés, 30 secondes environ.

## CHOCOLAT CHAUD MEXICAIN

Grand Marnier® est une marque déposée, propriété de Société des Produits Marnier-Lafontaine.

*Analyse nutritionnelle par tasse :*  
 Calories : 177 (0 % des matières grasses) • glucides : 25 g • protéines : 1 g •  
 matières grasses : 0 g • gras saturés : 0 g • cholestérol : 0 mg • sodium : 2 mg  
 calcium : 9 mg • fibres : 2 g

Notre chocolat chaud préparé avec du lait écrémé a plu à tous, mais pour  
 une version plus riche, utilisez du lait entier ou à basse teneur en  
 matières grasses. Une petite gâterie de temps en temps ne fait pas de  
 mal à personne!

Donne 12 à 16 portions

1,9 L (2 pintes) de lait écrémé  
 3 bâtons de cannelle de 7,5 cm (3 po)  
 565 g (20 oz) de chocolat semi-sucré (au choix) en morceaux  
 15 ml (1 c. à table) d'extrait de vanille

Combinez le lait et les bâtons de cannelle dans une casserole de 3,5 L

(3-3/4 pintes) Cuisinart®, Placez sur un feu moyen et, en remuant conti-  
 nuuellement, faites chauffer jusqu'à ce que la vapeur monte et que des  
 bulles commencent à se former autour de la casserole. Réduisez à feu

de la cannelle au fait. Ajoutez les morceaux de chocolat en remuant. Une

fois le chocolat fondu, retirez les bâtons de cannelle et ajoutez l'extrait de  
 vanille, en remuant toujours. Insérez-y le mélangeur et procédez pendant

1 minute dans un léger mouvement de haut en bas. Continuez de  
 mélanger jusqu'à ce que le mélange soit crémeux et mousseux.

Transférez à la cuiller dans des tasses ou gobelets et décorez d'une cuil-  
 lérée de crème fouettée, au choix.  
 Pour un chocolat chaud à la cannelle, ajoutez 45 à 60 ml (3 à 4 c. à  
 table) de poudre de café express au lait pendant l'infusion des bâtons de  
 cannelle.

*Analyse nutritionnelle par portion :*

Calories : 215 (52 % des matières grasses) • glucides : 23 g • protéines : 7 g •  
 matières grasses : 14 g • gras saturés : 8 g • cholestérol : 2 mg • sodium : 68 mg  
 calcium : 184 mg • fibres : 1 g

## SOUPES, SAUCES, TREMPETTES ET TARTINADES VELOUTÉ AUX ASPERGES

Donne 625 ml (2 tasses)

56 g (2 oz) d'échalotes, émincées

Légumes (crus)	175 ml (1/2 tasse) de lait écrémé 125 ml (1/2 tasse) à la fois.
Vandres (bœuf, porc)	175 g (6 oz), en morceaux de 1,25 cm (1/2 po).

## LAITS FRAPPÉS AU YAOURT ET BOISSONS GLACÉES

### LAIT FRAPPÉ AUX BLEUETS ET BANANES

Donne 500 ml (2 tasses)

250 ml (1 tasse) de bleuets congelés  
1 petite banane, (125 g – 4-1/2 oz) en tranches  
175 ml (3/4 tasse) de lait de soya ou de lait écrémé  
14 g de poudre de protéine de soya (ou d'isolat de protéine de soya)  
5 ml (1 c. à thé) d'huile de lin  
5-10 ml (1 à 2 c. à thé) de miel (facultatif)

Métez le lait de soya, la poudre de protéine, les bleuets, la banane, l'huile de lin et le miel (facultatif) dans le gobelet à mesurer / mélangeur. Insérez-y le mélangeur, vous assurerez que le protégé-lame est immergé. Mélangé, dans un léger mouvement de haut en bas jusqu'à ce que les ingrédients soient combinés, environ 35 secondes.

*Analyse nutritionnelle par tasse (sans miel) :*

*Calories : 159 (17 % des matières grasses • glucides : 26 • protéines : 9 g • matières grasses : 3 g • gras saturés : 0 g • chol. 0mg • cholestérol : 12 mg • sodium : 12 mg • calcium : 89 mg • fibres : 4 g*

### LAIT FRAPPÉ AUX FRAISES ET KIWIS

Donne 1 lait frappé de 400 ml (14 onces)

250 ml (1 tasse) de fraises surgelées, décongelées en partie  
1 kiwi, pelé, coupé en huit  
125 ml (1/2 tasse) de yaourt à la vanille sans gras  
125 ml (1/2 tasse) de lait écrémé  
15 ml (1 c. à table) de miel

Métez tous les ingrédients dans le gobelet à mesurer / mélangeur. Insérez-y le mélangeur, vous assurerez que le protégé-lame est immergé. Mélangé, dans un léger mouvement de haut en bas jusqu'à ce que les ingrédients soient combinés, de 30 à 35 secondes environ.

## USAGES FRÉQUENTS POUR LE HACHOIR-BROYEUR

<b>Ingrédients</b>	Aliments de bébé (consultez toujours votre pédiatre ou médecin de famille pour les aliments recommandés)
<b>Remarques</b>	Placez de petites quantités d'aliments dans le récipient du hachoir-broyeur. Ajoutez de petites quantités de liquide approprié. Hachez par pulsation, puis par action continue pour mélanger.
	Mettes de pain – fraîches ou sèches (vieilles d'un jour)
	Fromages durs (Asiago, Localiti, Parmesan, Romano, etc.) (Non recommandé pour les fromages mous, sauf pour la préparation de tempêtes et sauces)
	Chocolat
	Placez les ingrédients dans le récipient du hachoir-broyeur. Ne couvrez pas. Hachez par pulsation, puis par action continue jusqu'à la consistance voulue.
	All
	Racine de gingembre (fraîche)
	Herbes fraîches
	Noix
	Oignons
	Légumes (cuits)

## HACHOIR-BROYEUR

Pour simplifier le nettoyage, rincez le récipient, le couvercle et la lame immédiatement après l'usage pour empêcher les aliments de s'y attacher. Lavez la bague, le bouchier de plastique et le récipient dans de l'eau chaude savonneuse. Rincez et séchez. Essayez le dessous du couvercle du hachoir-broyeur avec une éponge ou un lingé humide pour enlever tout aliment. **Ne plongez pas le couvercle dans l'eau et ne le mettez pas dans le lave-vaisselle.** Lavez la lame avec soin. Évitez de la placer dans une eau savonneuse où vous pourriez la perdre de vue.

Si vous avez un lave-vaisselle, vous pouvez y mettre le récipient et la lame assemblée sur le rayon supérieur. Placez le récipient à l'envers et mettez la lame dans le panier à ustensiles. Déchargez le lave-vaisselle avec soin pour éviter de toucher la lame directement. Essayez le couvercle et le dessous du couvercle à l'aide d'une éponge ou d'un lingé humide. Séchez-les immédiatement. **Ne plongez pas le manche ni le couvercle dans l'eau ou aucun liquide.**

Le hachoir-broyeur Smart Stick® n'est prévu que pour L'USAGE MÉNAGER SEULEMENT. Tout service autre que le nettoyage et l'entretien normal doit être confié à un représentant autorisé Cuisinart.

## FOUET

Pour nettoyer l'assemblage de fouet, détachez-le simplement du manche. Une fois l'assemblage de fouet détaché, retirez le fouet de métal de la boîte d'engrenage. Pour nettoyer la boîte d'engrenage, essuyez-la au moyen d'un lingé humide. Pour nettoyer le fouet de métal, lavez-le dans de l'eau chaude savonneuse ou placez-le dans le lave-vaisselle. **Ne plongez pas la boîte d'engrenage dans l'eau ou aucun liquide.**

appropriée pour les aliments à être transformés.

- Mettez les aliments dans le récipient. Assurez-vous qu'ils soient en petits morceaux et que le récipient n'est pas trop rempli.
- Placez le couvercle du hachoir-broyeur sur le récipient et assurez-vous qu'il soit bien en place.
- Appuyez sur l'interrupteur « ON / OFF » du mélangeur à main Smart Stick®.

- Ne faites pas fonctionner le hachoir-broyeur pendant plus de 15 secondes à la fois.
- Remarque : Étant donné que le moteur de cet appareil est puissant, Cuisinart recommande que vous placiez une main sur le hachoir-broyeur pendant son fonctionnement.**
- Une fois les aliments transformés, arrêtez l'appareil en relâchant l'interrupteur.

- LORSQUE LA LAME CESSÉ DE TURNER, détachez le manche du mélangeur à main Smart Stick® du couvercle du hachoir-broyeur, puis enlevez le couvercle du hachoir-broyeur.

- Débranchez l'appareil.

- Démontez avec soin l'assemblage de la lame, la tenant par les nervures du bouchier de plastique. NE TOUCHEZ JAMAIS LA LAME MÊME.

- Retirez les aliments au moyen d'une spatule.

**Remarque : Ne faites jamais fonctionner le hachoir-broyeur Smart Stick® sans aliments dans le récipient.**

## NETTOYAGE

### MÉLANGEUR À MAIN SMART STICK®

Nettoyez toujours bien le mélangeur à main Smart Stick® et l'axe de mélange après chaque usage.

Détachez l'axe du manche. Essayez le manche à l'aide d'une éponge ou d'un lingé humide. N'utilisez pas de nettoyeurs abrasifs qui pourraient en égratigner la surface. Vous pouvez nettoyer l'axe d'entraînement à la main dans l'eau chaude avec un détergent doux.

**Ne plongez jamais le manche dans l'eau.**

Si l'appareil ne fonctionne pas bien ou qu'il a été échappé ou endommagé de quelque façon, retournez-le au Centre de service Cuisinart le plus proche pour inspection, réparation ou réglage mécanique ou électrique.

## MÉLANGER

## Mélange et malaxage

La lame a été spécialement conçue pour mélanger et malaxer toutes sortes d'aliments dont les sauces à salade, les boissons en poudre et les sauces. Géniale pour combiner les ingrédients secs, elle sert également à émulsionner les mayonnaises.

Cette lame mélange et agit en ajoutant un minimum d'air dans le mélange. Un léger mouvement de haut en bas est tout ce qu'il faut pour réaliser les recettes liquides les plus savoureuses et veloutées. Faites bien attention de ne jamais retirer le mélangeur à main Smart Stick® Cuisinart® des liquides pendant qu'il fonctionne.

1. Insérez l'axe de mélange dans le manche (voir Assemblage du mélangeur à la page 8).

2. Branchez le cordon d'alimentation dans une prise murale.

3. Placez le mélangeur dans les ingrédients à être mélangés.

4. Appuyez sur l'interrupteur « ON / OFF » et tenez-le enfoncé. Le

mélangeur à main fonctionnera tant que vous tenez l'interrupteur enfoncé. Pour l'arrêter, relâchez l'interrupteur « ON / OFF » et le

5. Ne tenez pas le bouton « ON » pendant plus de 50 secondes à la

fois.

6. Débranchez le mélangeur dès que vous cessez de l'utiliser.

## FOUETTAGE

1. Insérez le fouet dans le manche (voir Assemblage du fouet à la page 11).

2. Branchez le cordon d'alimentation dans une prise murale.

3. Placez le fouet dans le mélange à fouetter.

4. Appuyez sur l'interrupteur « ON / OFF » et tenez-le enfoncé. Le

mélangeur à main fonctionnera tant que vous tenez l'interrupteur enfoncé. Pour l'arrêter, relâchez l'interrupteur « ON / OFF » et le

moteur s'arrêtera.

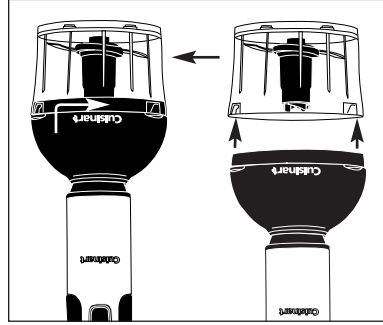
5. Ne tenez pas le bouton « ON » pendant plus de 20 secondes à la

6. Débranchez le mélangeur dès que vous cessez de l'utiliser.

## HACHAGE ET BROYAGE

## Transformation des aliments

1. Placez le récipient fermement sur une surface plate et solide comme un comptoir. Assurez-vous que la lame est assemblée de façon



## FOUET

1. Alignez le bout du fouet avec le petit orifice dans la boîte d'engrenage du fouet.
2. Poussez le bout du fouet dans l'orifice jusqu'à ce qu'il se verrouille en place.
3. Alignez le manche avec l'accessoire de fouet faites glisser les pièces ensemble jusqu'à ce que vous sentiez ou entendiez un déclic. Appuyez sur le petit déclencheur en caoutchouc peut aider à fixer les pièces ensemble.



7. UNE FOIS LA LAME ARRÊTÉE, débranchez le mélangeur à main Smart Stick® de la prise de courant, détachez le manche du couvercle du hachoir-broyeur et enlevez le couvercle du hachoir-broyeur.

Pour l'arrêter, relâchez l'interrupteur.

hachoir-broyeur.

6. Placez une main sur le couvercle du hachoir-broyeur, en agrippant la poignée du mélangeur à main Smart Stick® de l'autre. Choisissez la vitesse voulue et appuyez sur l'interrupteur pour faire fonctionner le

5. Branchez le cordon d'alimentation du mélangeur à main Smart Stick® dans une prise de courant.

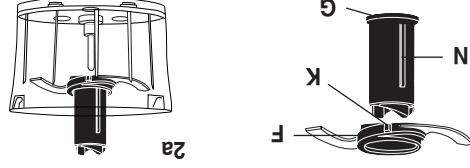
## LAME RÉVERSIBLE

Le Mélangeur à main Smart Stick® Cuisinart® est doté d'une lame réversible. La lame est tranchante d'un côté et émoussée de l'autre. La lame est fixée à une bague de plastique qui se glisse sur une tige de montage afin de pouvoir s'inverser facilement. Vous trouverez un guide sur le choix approprié de lame dans la section « Utilisations fréquentes pour hachoir-broyeur ».

1. Placez le récipient sur une surface plate, sèche et stable. Il devrait être placé près d'une prise de courant de même voltage que celui indiqué sur la plaque signalétique du mélangeur à main Smart Stick®.
2. La tige de montage de la lame de métal se fixe sur la tige de montage au fond du récipient. Si la lame ne s'y trouve pas déjà, insérez-la assemblée sur le dessus de la tige.

- a. Assemblage de la lame :

Reliez la bague (F) au bouclier en plastique (G). Alignez l'ouverture de la bague avec le bouclier. Faites glisser la bague jusqu'au fond du MOYEU CENTRAL (K) SEULEMENT. NE TOUCHEZ PAS LES LAMES TRANCHANTES COMME UNE LAME DE RASOIR.



Notez ces caractéristiques importantes de la bague. La bague peut être placée sur le bouclier de plastique de deux façons :

Si vous la tenez tel qu'à l'illustration (A), vous verrez le mot « Sharp (tranchant) sur la lame. Assemblez la lame, ce côté vers le haut pour utiliser le côté tranchant (voir la section sur la transformation des aliments pour utiliser le côté tranchant sur la transformation des aliments pour utiliser le côté émoussé de la lame).



Si vous la tenez tel qu'à l'illustration (B), il n'y a aucune inscription sur la lame. Assemblez-la, ce côté vers le haut pour utiliser le côté émoussé de la lame).



Il y a deux encoches (C) de chaque côté à l'intérieur du moyeu. Ces encoches se placent sur les côtés du bouclier de plastique.

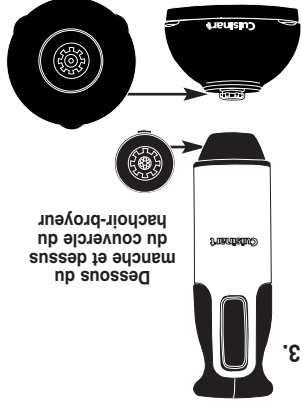


Prenez la bague par les pattes et alignez les encoches à l'intérieur du moyeu de la bague, avec les nervures sur les côtés du bouclier de plastique. Laissez glisser la bague jusqu'au bas du bouclier. La lame inférieure devrait presque toucher le fond du récipient.

Soulevez le récipient, le tenant fermement par le dessous. Prenez la bague par les nervures du moyeu et tournez-la légèrement dans le sens horaire. Ceci verrouille la bague sur le bouclier de plastique et l'empêche de glisser durant le fonctionnement.

3. Le manche du mélangeur à main

Smart Stick® sur le dessus du couvercle du hachoir-broyeur avec l'ouverture nervurée sur le dessus du manche. Une fois alignées, glissez les deux pièces l'une contre l'autre pour les fixer ensemble. Vous sentirez ou entendrez un petit déclic. Appuyez sur le petit déclencheur en caoutchouc peut aider à fixer les pièces ensemble.



4. Une fois le mélangeur à main en

place, placez le couvercle du hachoir-broyeur sur son récipient.

- a. Assurez-vous que les 3 nervures sur le dessus de la lame s'alignent avec l'engrenage à trois branches sur le revers du couvercle du hachoir-broyeur et que le couvercle repose correctement sur le dessus du récipient.
- b. Pour que le couvercle repose correctement sur le récipient, alignez les trois chevilles du couvercle avec les trois fentes sur le rebord du récipient. Tournez le couvercle jusqu'à ce que les chevilles se trouvent complètement à gauche dans les fentes.

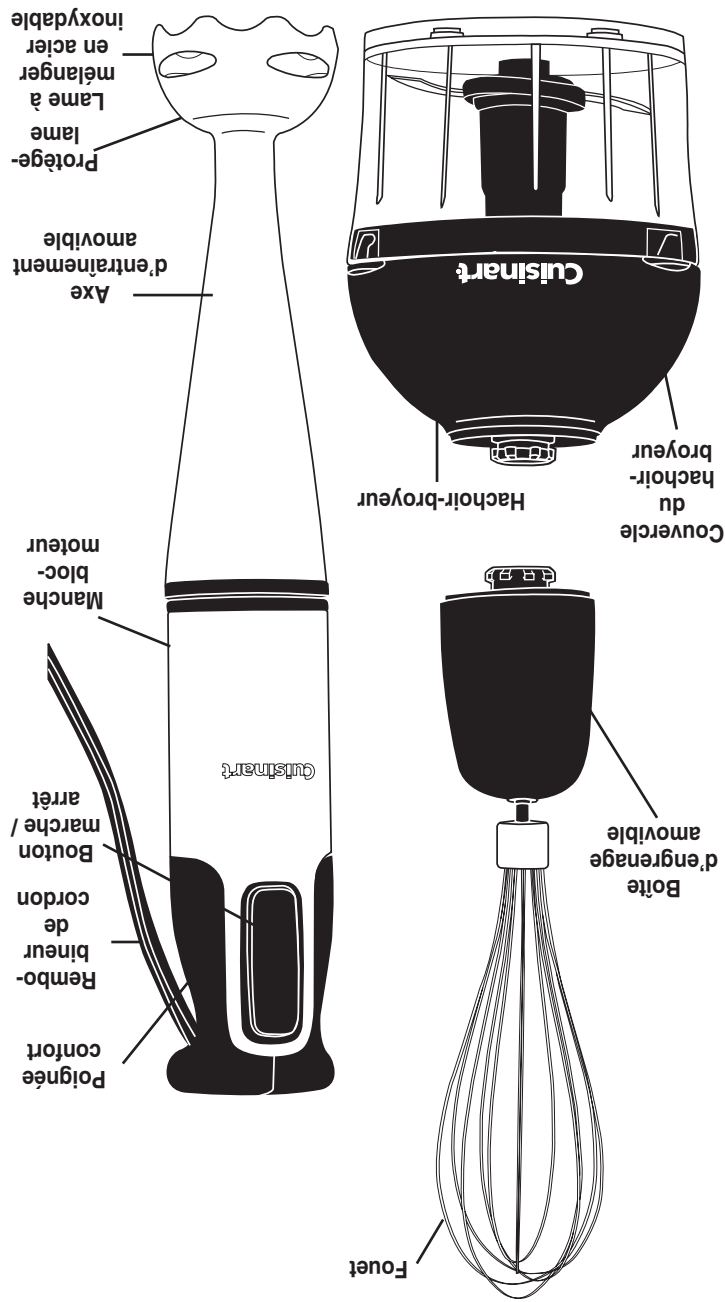
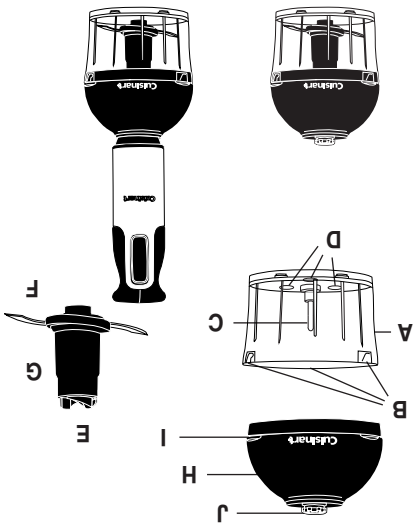
## ASSEMBLAGE MÉLANGEUR

1. Alignez le manche avec l'axe et insérez les pièces l'une dans l'autre jusqu'à ce que vous entendiez un déclic. Il serait peut-être plus facile de faire ceci en appuyant sur la détente.



## HACHOIR-BROYEUR

- A. Récipient du hachoir-broyeur
- B. Fentes (3) de fixation du couvercle
- C. Tige de la lame de métal
- D. Pieds de caoutchouc
- E. Lame
- F. Bague de lame
- G. Bouclier de plastique
- H. Couvercle du hachoir-broyeur
- I. Languettes d'ouverture
- J. Accroc du hachoir-broyeur



## FOUETTER LA CRÈME ÉPAISSE

Lorsque possible et si le temps le permet, utilisez un bol et le fouet que vous aurez d'abord fait refroidir au réfrigérateur quand vous fouettez de la crème épaisse. Le bol idéal pour fouetter la crème est profond et au fond arrondi. Sortez la crème du réfrigérateur juste au moment de la fouetter. Tenez le fouet de façon qu'il effleure la surface de la crème et fouettez jusqu'à ce qu'elle commence à épaissir. Immergez ensuite le fouet entièrement dans la crème. La crème fouettée peut être de consistance molle ou épaisse, selon le goût. Aromatisez-la si vous le voulez. Pour de meilleurs résultats, fouettez la crème juste avant de la servir.

Si vous devez la fouetter à l'avance, ajoutez un stabilisant tel que Oetker® WhipIt™.

\*Oetker est une marque déposée et la propriété du Dr August Oetker Hahningamittel, KG, LP.

au lieu de cubes pour de meilleurs résultats.

13. Mélanger dans un doux mouvement de haut en bas est le meilleur moyen d'incorporer les ingrédients uniformément.

14. Pour empêcher les éclaboussures, mettez le mélangeur hors tension et attendez que la lame soit complètement immobile avant de le retirer des aliments que vous mélangez.

15. Pour aérer un mélange, tenez toujours la lame juste sous la surface.

16. Pour réussir un potage velouté, utilisez le mélangeur à main pour mettre les solides en purée à la consistance voulue, dans un doux mouvement de haut en bas directement dans la casserole. Vous pouvez facilement changer une soupe en un potage crémeux et épais.

17. Lorsque vous préparez une trempe ou tartinaade, il n'est pas nécessaire de mélanger jusqu'à obtention d'une purée lisse; quelques morceaux ajoutent à la présentation.

18. Pour préparer des beurrés composés, retirez d'abord le beurre du réfrigérateur et laissez-le ramollir à la température ambiante avant d'y mélanger les ingrédients.

19. Le mélangeur à main est parfait pour faire mousser le lait des capuccinos et lattes.

20. Servez-vous du mélangeur à main pour faire des sauces sucrées et à viande lisses.

21. Vous obtiendrez de meilleurs résultats si vous enlevez les fils du celeri à l'aide d'un coupe-légumes avant de le trancher.

## TRUCS POUR LE FOUET

Utilisez le fouet pour fouetter les crèmes épaisses et les blancs d'œuf. Il peut également servir à fouetter les œufs pour les œufs brouillés ou les omelettes gonflées.

## FOUETTER LES BLANCS D'ŒUFS

Fouettez toujours les blancs d'œufs dans un bol de métal ou de verre très propre; n'utilisez jamais un récipient de plastique, car il contient des huiles et des gras invisibles qui peuvent détruire la délicate texture des blancs d'œufs battus. Pour aider à stabiliser les blancs d'œuf, ajoutez 1 ml (1/8 c. à thé) de crème de tartre par œuf avant de les fouetter. (Si vous utilisez un bol en cuivre, mettez la crème de tartre). Fouettez les œufs jusqu'à formation de pics mous qui gardent leur forme. Bâtrer les œufs plus longtemps les dessèche et les rend encore moins stables. Ajoutez le sucre aux blancs d'œuf battus lentement quand les pics commencent à se former et puis continuez de fouetter jusqu'à la formation de pics mous qui ne tombent pas.

1. Les liquides devraient être à 2,5 cm (1 po) en dessous du joint de l'axe et du manche.
2. Certaines épices peuvent égratigner le hachoir-broyeur.
3. Lorsque vous utilisez le mélangeur à main avec des surfaces de cuisson antidérapantes, assurez-vous de ne pas égratigner leur revêtement.
4. N'immergez pas le manche, le couvercle du hachoir-broyeur ni la boîte d'engrenage du fouet dans l'eau ou aucun liquide.
5. Coupez les aliments solides en dés de 1,25 cm (1/2 po) pour faciliter le mélange. Nous vous suggérons d'utiliser le hachoir-broyeur pour hacher et broyer les aliments solides.
6. Versez les aliments liquides en premier lieu dans le récipient, à moins que la recette ne dicte autrement.
7. Pour éviter les éclaboussures, ne mettez pas le mélangeur à main en marche tant que la lame ne se trouve pas sous la surface du mélange et ne sortez pas le mélangeur du mélange alors qu'il est en marche.
8. Ne laissez pas le mélangeur à main dans une casserole chaude sur la cuisinière si vous ne l'utilisez pas.
9. Ne mettez pas de pépins, noyaux, os ou autres matières dures dans le mélangeur car ils pourraient endommager les lames.
10. Ne remplissez pas trop les contenants à mélanger. Le niveau des ingrédients augmentera lorsque le mélangeur sera en marche et le mélange pourrait déborder.
11. Ajoutez les liquides chauds, plutôt que froids, facilite le mélange des solides avec les liquides.
12. Quand une recette requiert de la glace concassée de la glace concassée

## TRUCS ET SUGGESTIONS

4. **Axe d'entraînement amovible** : En appuyant sur la détente située audos de l'appareil, l'axe d'entraînement se détache pour nettoyage facile.
5. **Accessoire de mélange avec lame en acier inoxydable et protége-lame** : Cet accessoire s'enclenche facilement dans le manche. La partie inférieure de l'axe en acier inoxydable protège la lame à demi pour l'empêcher d'éclabousser.
6. **Accessoire de fouet** : Le fouet s'enfonce par pression dans le manche. Cet accessoire sert à fouetter la crème, les blancs d'œufs et autres délicieuses préparations.
7. **Accessoire de hachoir-broyeur** : Cuisinart® a prévu tout ce qu'il vous faut pour hacher, émincer et broyer. Le hachoir-broyeur se fixe au manche à la place de l'axe amovible et du fouet.
8. **Gobelet à mesurer / mélangeur** : Gobelet à mélanger de 500 ml (2 tasses) résistant au lave-vaisselle. Utilisez-le pour mélanger boissons, lait frappés, sauces à salade et davantage.

1. **Bouton marche / arrêt une touche** : Vous permet de faire fonctionner le mélangeur à main au toucher d'un bouton. Tenez l'interrupteur à bascule pour mélanger ou pour action de pulsation. Dès que vous relâchez l'interrupteur, le mélangeur s'arrête.
2. **Poignée confortable** : La poignée assure un contrôle facile du mélangeur.
3. **Manche bloc-moteur**

## CARACTÉRISTIQUES ET AVANTAGES :

Avant d'utiliser votre Mélangeur à main Smart Stick® Cuisinart® pour la première fois, nous vous suggérons de l'essayer au moyen d'un lingon humide et propre pour enlever toute saleté ou poussière accumulée. Essayez-le bien à l'aide d'un lingon doux absorbant. Manipulez avec soin : lavez chaque accessoire de lame, le gobelet à mélanger et l'axe d'engrenage à la main ou au lave-vaisselle. Essayez-les bien avant l'utilisation. Veuillez lire les directives au complet pour directives d'utilisation détaillées.

**Remarque : La lame est extrêmement acérée. Faites preuve de grande prudence lorsque vous retirez et déballez le bloc d'emballage dans lequel la lame se trouve.**

Placez la boîte contenant le Mélangeur à main Smart Stick® sur une surface solide. Pour déballez le Mélangeur à main Smart Stick®, enlevez d'abord l'insert protecteur qui se trouve sur le dessus. Faites glisser délicatement l'appareil de la boîte. Retirez tous les matériaux d'emballage de la boîte et remettez-y l'insert protecteur. Réservez la boîte et les matériaux d'emballage pour usage futur au besoin.

## DIRECTIVES DE DÉBALLAGE

Le Mélangeur à main Smart Stick® a été conçu pour accomplir diverses fonctions de base par exemple, malaxer, mélanger, hacher, broyer, fouetter et mettre en purée – même faire la chapelure – de façon à vous épargner du temps, vous permettant ainsi de donner libre cours à votre génie créateur dans la cuisine! Son élégant boîtier en acier inoxydable brosse loge un puissant moteur et le pratique design de l'axe d'entraînement vous permet de mélanger dans une casserole profonde, un bol ou une carafe. D'une grande simplicité d'utilisation et de nettoyage. Peut-on demander mieux?

## INTRODUCTION

Fouettage	13
Hachage / broyage	13
Nettoyage	14
Usages fréquents pour le hachoir-broyeur	16
Recettes	17
Garantie	32



## MISES EN GARDE IMPORTANTES

Lorsque vous utilisez un appareil électrique, vous devez toujours suivre des consignes de sécurité de base, dont les suivantes :

- LISEZ LES DIRECTIVES AU COMPLET.**
- Pour éviter les chocs électriques, ne placez pas le manche, le cordon ni la fiche de ce mélangeur à main dans l'eau ni aucun autre liquide. L'axe d'entraînement amovible du mélangeur de cet appareil a été conçu pour être plongé dans l'eau ou autre liquide. Ne submergez aucune partie de cet appareil. Si le mélangeur à main tombe dans un liquide, retirez-le immédiatement. **Ne mettez pas la main dans le liquide sans débrancher d'abord le mélangeur de la prise de courant.**
- Cet appareil ne devrait pas être utilisé par des enfants. Pour éviter tout risque de blessure, exercez une surveillance attentive lorsque l'appareil est utilisé par des enfants ou près de ceux-ci.
- Débranchez le mélangeur quand vous ne l'utilisez pas, pour enlever ou poser des accessoires et pour le nettoyer. Pour le débrancher, saisissez la fiche et retirez-la de la prise de courant. Ne tirez jamais sur le cordon.**
- Évitez tout contact avec les pièces mobiles.
- Pendant l'utilisation, tenez les mains, cheveux, vêtements ainsi que spatules et ustensiles loin des accessoires et hors des récipients de mélange, afin de réduire le risque de blessure personnelle ou de dommage à l'appareil. Vous pouvez utiliser une spatule mais seulement lorsque le mélangeur ne fonctionne pas.
- Ne faites fonctionner aucun appareil dont la fiche ou le cordon est abîmé, qui a été échappé ou endommagé d'une façon quelconque ou encore, qui n'est pas en bon état de fonctionnement. Retournez-le au centre de service après-vente agréé de Cuisinart le plus proche pour inspection, réparation ou mise au point technique ou électrique.
- Séparez l'axe d'entraînement amovible du mélangeur avant de nettoyer les lames ou l'axe.
- Les lames sont **TRANCHANTES**. Procédez avec soin lors de leur retrait, de leur pose et de leur nettoyage.
- Pour le mélange des liquides, surtout des liquides chauds, utilisez un grand récipient ou mélangez de petites quantités à la fois pour éviter les débordements, les éclaboussures et tout risque de brûlure.
- Pour réduire les risques de blessure, ne placez jamais la lame du hachoir/broyeur sur la base sans avoir d'abord mis correctement le récipient en place.
- Assurez-vous que le couvercle du hachoir-broyeur est verrouillé en place avant d'utiliser l'appareil. N'essayez pas d'enlever le couvercle tant que la lame tourne encore.

## CONSERVEZ CES INSTRUCTIONS POUR USAGE MÉNAGER SEULEMENT

### ATTENTION :

Cet appareil est muni d'une fiche d'alimentation polarisée (une des deux broches est plus large que l'autre). Par mesure de sécurité, cette fiche ne convient que d'une façon dans une prise polarisée. Si la prise ne s'enfonce pas complètement, inversez-la. Si le branchement est toujours incomplet, consultez un électricien qualifié. Ne modifiez pas la prise de quelque façon que ce soit.

### TABLE DES MATIÈRES

Mises en garde importantes	2
Introduction	4
Directives de déballage	4
Pièces et caractéristiques	4
Trucs et suggestions	5
Trucs pour le fouet	6
Diagramme	8
Assemblage du mélangeur à main	9
Mélangeur	9
Hachoir-broyeur	9
Lame réversible	10
Fouet	12
Utilisation	13
Mélange	13

Afin que cet appareil vous procure des années de satisfaction en toute sécurité, veuillez toujours lire le manuel de directives avant l'utilisation.

Mélangeur à main Smart Stick®

CSB-77C



MANUEL D'UTILISATION  
ET LIVRE DE RECETTES

**Cuisinart**®

## Free Manuals Download Website

<http://myh66.com>

<http://usermanuals.us>

<http://www.somanuals.com>

<http://www.4manuals.cc>

<http://www.manual-lib.com>

<http://www.404manual.com>

<http://www.luxmanual.com>

<http://aubethermostatmanual.com>

Golf course search by state

<http://golfingnear.com>

Email search by domain

<http://emailbydomain.com>

Auto manuals search

<http://auto.somanuals.com>

TV manuals search

<http://tv.somanuals.com>