

Cuisinart®

INSTRUCTION AND RECIPE BOOKLET



PowerEdge™ 1000-Watt Blender with BPA-Free Jar

CBT-1000 SERIES

For your safety and continued enjoyment of this product, always read the Instruction Book carefully before using.

IMPORTANT SAFEGUARDS

When using an electrical appliance, basic safety precautions should always be followed, including the following:

1. **READ ALL INSTRUCTIONS BEFORE USING.**
2. To protect against the risk of electrical shock, do not put motor base of blender in water or other liquid.
3. Close supervision is necessary when any appliance is used by or near children.
4. **Unplug from outlet when not in use, before putting on or taking off parts, and before cleaning or removing contents from blender jar. Never put hands into the blender jar, or handle the blades with appliance plugged in.**
5. Avoid contact with moving parts.
6. Do not operate any appliance with a damaged cord or plug, or after the appliance malfunctions or is dropped or damaged in any manner. Return appliance to nearest Cuisinart® service facility for examination, repair, and/or mechanical or electrical adjustment.
7. The use of attachments, including canning or ordinary jars, not recommended or sold by Cuisinart may cause fire, electrical shock, or risk of injury to persons.
8. Do not use outdoors.
9. Do not let cord hang over edge of counter or table or touch hot surfaces.
10. **Keep hands and utensils out of jar while blending to reduce the risk of severe injury to persons or damage to blender itself.** A rubber or plastic spatula may be used but must be used only when the blender is turned off.
11. When blender is in On mode, and LED lights are flashing or glowing, do not touch cutting assembly, interfere with blade movement, or remove blender jar cover. Accidentally touching a speed button may activate the blender.
12. **BLADES ARE SHARP. HANDLE CAREFULLY.**
13. To reduce the risk of injury, never place cutting assembly on base unless the blender jar is properly attached.
14. Always operate blender with the cover in place.
15. Never leave your blender unattended while it is running.
16. Twist on blade assembly firmly. Injury can result if moving blades accidentally become exposed.
17. When blending hot liquids, remove measured lid (center portion of cover) to allow steam to escape.
18. Do not use an extension cord with this unit. Doing so may result in fire, electrical shock, or personal injury.
19. Wash the blender jar, cutting assembly, locking ring, and cover before first use.
20. **WARNING: TO REDUCE THE RISK OF ELECTRICAL SHOCK OR FIRE, DO NOT REMOVE THE BASE PANEL. NO USER-SERVICEABLE PARTS ARE INSIDE. REPAIR SHOULD BE DONE ONLY BY AUTHORIZED PERSONNEL.**
21. **WARNING: FLASHING LIGHT INDICATES READY TO OPERATE. DO NOT TOUCH BLADES.**

SAVE THESE INSTRUCTIONS FOR HOUSEHOLD USE ONLY

NOTICE

This appliance is the grounded type; the extension cord should be a grounded type 3-wire cord. If the plug does not fit, contact a qualified electrician. Do not modify the plug in any way.

Maximum rating of 1000 watts is based on the food chopper attachment that draws the greatest power. Other recommended attachments may draw less power.

This unit comes with a resettable thermal fuse to prevent damage to the motor in the case of extreme overload. Simply unplug the unit, rest it for 15 minutes and continue.

UNPACKING INSTRUCTIONS

1. Place the box containing your Cuisinart® PowerEdge™ 1000-Watt Blender on a flat, sturdy surface before unpacking.
2. Remove instruction booklet and other printed materials from top of corrugated insert. Next, remove the top corrugated insert.
3. Remove the lower corrugated insert containing the blender jar assembly. Be careful not to tip the jar when removing.
4. Carefully lift blender base from box and set aside.

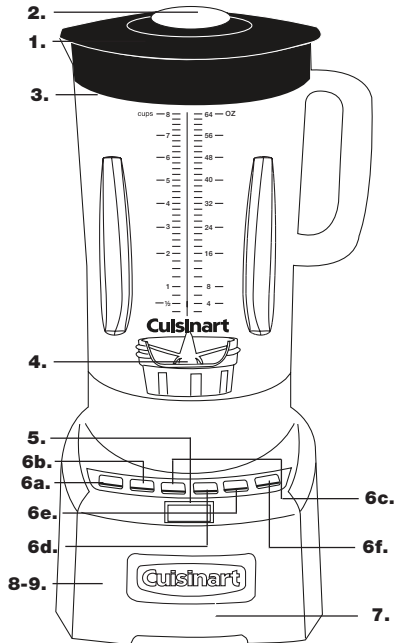
To assemble the blender, follow the Assembly instructions, page 4. Replace all corrugated inserts in the box and save the box for repackaging.

Before using for the first time: Wash all parts according to the Cleaning and Maintenance section on page 7 to remove any dust or residue.

CONTENTS

Important Safeguards	2
Unpacking Instructions	3
Features and Benefits	4
Use and Care/Assembly	4
Helpful Reminders	5
Quick Reference Guides	5
Operation	6
Cleaning and Maintenance	7
Do's and Don'ts	7
Recipe Tips	8
Recipes	10
Warranty Information	26

FEATURES AND BENEFITS



Note: Blades are sharp... handle carefully.

5. Count-Up™ Timer

Timer with blue backlit LCD display times your recipes for perfect results.

6. Backlit Push-Button Controls

a) Power On/Off

Flashing red LED indicates when power is on.

b) High Button

Choose High speed to blend ingredients to the desired consistency. Blue backlit LED lights will indicate which speed you are using.

c) Low Button

Choose Low speed to blend ingredients to the desired consistency. Blue backlit LED lights will indicate which speed you are using.

1. Cover and Leak-Proof PVC Gasket

Just press on. Tightfitting seal resists leakage. PVC gasket holds lid snugly in position for safe operation.

2. Measured Pour Lid

Allows you to measure and add ingredients without removing the cover.

3. 64-oz. Blender Jar of BPA-Free Tritan™ Co-Polymer

Has a unique, sturdy, easy to pour design.

4. High-Quality Blade Assembly with Power6 Turbo-Edge™ Stainless Steel Blade

Is strong enough for all blending tasks, including tough jobs like ice crushing or chopping delicate herbs.

d) Pre-Programmed Smoothie Button

The perfect combination of speed and power, timed to develop results in under 30 seconds!

e) Pre-Programmed Pulse Button

Set bursts of power at two-second intervals, so you can blend ingredients only as much as needed.

f) Pre-Programmed Ice Crush Button

Press Ice Crush and begin crushing. This button is pre-programmed using the best combination of speed and timed pulsing for crushing ice without overprocessing.

7. Heavy-Duty Die Cast Metal Housing

Is stable and secure with a low center of gravity, to prevent blender from "walking" on your countertop.

8. Slip-Proof Feet (not shown)

Prevent movement during use and prevent damaging marks on countertops or tables.

9. Cord Storage (not shown)

Keeps countertop safe and neat by conveniently storing excess cord.

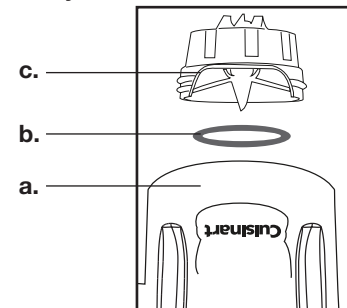
USE AND CARE

ASSEMBLY

To use your Cuisinart® PowerEdge™ 1000-Watt Blender, begin by assembling the blender jar.

1. Turn the blender jar (a) upside down, and place it flat on a sturdy surface.
2. Position the rubber gasket (b) on the round opening on the bottom of the blender jar.
3. Turn the blade assembly (c) upside down, and place the blade end in the blender jar opening.

Note: Blades are sharp... handle carefully.



4. Secure the rubber gasket and blade assembly into position by twisting the cutting assembly clockwise until tightened. Make sure the blade assembly is tightly fastened to blender jar. Once assembled, turn the blender jar right-side up.
5. Push the cover onto the top of the blender jar. Make sure the "pour" marking is aligned with the pour spout. Push the measured pour lid into the cover.
6. Place the blender jar on the motor base so that the jar markings are facing you and the handle is positioned to one side.
7. Plug in the power cord. Your blender is now ready to be used.

HELPFUL REMINDERS

- Once the cover is in position, additional ingredients can be added during blending by simply lifting the measured pour lid, adding ingredients, and replacing the measured pour lid.
- Cover should always be in place while the unit is on. Make sure the cover is properly aligned.
- **Warning:** Do not place blender jar onto base while motor is running.
- Do not twist locking ring from blender jar when removing blender jar from base. Simply lift blender jar from motor base.
- Add liquid ingredients first, then follow with solid ingredients. This will provide more consistent blending and prevent unnecessary stress on the motor.
- Boiling liquids should cool for 5 minutes before being placed in blender jar.
- Follow Cleaning and Maintenance instructions on page 7 prior to your first use.
- To tighten or loosen the jar to blade assembly, simply twist it on the blender base with the jar facing you. Turn counterclockwise to loosen, clockwise to tighten.

QUICK REFERENCE GUIDE

To activate blender	Press On/Off – The blender is in Standby mode.
To begin blending	Press desired speed button.
To change speeds	Press desired speed button.
To pulse	Press On/Off. Press Pulse and then select High or Low for pre-programmed pulsing.
To crush ice	Press On/Off, then, press Ice Crush button and program will begin.
To stop blending (during a designated function and pause timer)	Press same function key under operation again.
To stop blending (and deactivate blender)	Press On/Off button.
To stop blending in Pulse	Press any function button again.
To stop blending in Ice Crush mode	Press any function button again.

SPEED SELECTION GUIDE

Refer to this guide to choose the best speed for your desired result.

Ingredient/Recipe	Speed	Result
Reconstituting frozen juice concentrate	Low	Smooth and full-bodied
Mayonnaise	Low	Thick and creamy
Salad dressings	Low	Completely blended and emulsified
Nuts (shelled, ½ cup or less at a time)	Pulse on High to chop	Coarse to fine
Heavy or whipping cream	High	Thick, creamy topping
Bread, cookies or crackers (add ½-inch pieces, 1 cup or less at a time)	Pulse on High to break up, then run on Low	Coarse to fine as desired
Grating/chopping citrus zest (add 1 to 2 tsp. sugar or salt from recipe)	High	Uniformly fine
Smoothies, shakes, health drinks	Smoothie	Smooth, creamy and thick
Baby food/fruit and vegetable purée	High	Smooth and creamy
Frozen cocktails	Ice Crush	Thick and slushy
Hard cheeses	Pulse, on High then blend on High	Coarse to fine
Spices	Pulse on High, then blend on High	Coarse to fine
Ice	Ice Crush, pulse or continuous	Coarse crush to snowy

OPERATION

1. Place the motor base of your Cuisinart® PowerEdge™ 1000-Watt Blender on a flat, sturdy surface. It is important that the surface be clean and dry. Assemble the blender by following the Assembly instructions (page 4). Once the jar is assembled and is in position on the motor base, plug the Cuisinart® PowerEdge™ 1000-Watt Blender into an electrical outlet.

2. Add all necessary ingredients to the blender jar and replace the cover. Make sure that the “pour” marking in the cover is aligned with the pour spout. This will ensure smoother lifting of the lid. You may add more ingredients by lifting the measured pour lid and dropping ingredients through the fill area. Replace the measured pour lid after adding ingredients. **Do not put hands in blender jar with blender plugged in.**

Note: To remove blender jar cover, lift edge of cover marked “lift” upward. Lifting measured pour lid will not remove cover.

3. **START BLENDING:** Press the On/Off button. The red LED indicator light will illuminate and flash, indicating that the blender is turned on but no speed has been selected. This is Standby mode.

4. **CHOOSE BLENDING SPEED:** Press desired function to determine the speed at which you would like to blend the ingredients. The indicator light for the activated speed will glow. The blender will now be functioning at the desired speed. It is possible to switch speeds without pressing the On/Off button by simply pushing another speed button.

Note: The Count Up™ Timer will begin counting when the desired speed button is pushed. When you switch into a pre-programmed speed, the timer will reset to support the new command.

5. TO PAUSE OR STOP BLENDING PROCESS

a) **To Pause Blending Process:** Push the button corresponding to the speed at which you are currently blending. For example: If you are blending on High speed, push the High speed button and the blender will stop blending but the unit will remain on.

Note: By pausing the blending process, you will also pause the timer. The timer will pause until you start blending again. Changing functions will reset the timer.

b) **To Stop the Blending Process:** Push the On/Off button when you are finished with your recipe and would like to turn the blender off. Pausing will stop the blender but NOT turn it off.

Note: When you push the On/Off button to power the blender off, the timer will stop counting and the LCD display will be off. When the blender is turned back on and a speed button is pushed, the timer will begin to count from 0:00.

6. **TIMING YOUR RECIPES:** The PowerEdge™ 1000-Watt Blender features a 4-minute Count-Up™ Timer so that you can time your recipes and guarantee perfect results. The timer begins counting from 0:00 as soon as you push your desired function. The timer will continue to count up even if you change speeds during blending. You can pause the timer by pausing the blending process. Do this by pushing the button corresponding to the function at which you are currently blending.

For example: If you are blending on Low and you push the Low function button, the blender will stop blending and the timer will stop counting, but the unit will remain on. To continue blending and timing your recipe, push the function chosen (Low) again. The timer will also stop counting when it reaches 4:00 minutes, and an audible chime will sound. The blender will go into Standby mode when the timed cycle is finished. The timer will reset itself when the On/Off button is pushed, a pre-programmed function is engaged or you change functions.

7. **PRE-PROGRAMMED FUNCTIONS:** Pulse, Smoothie and Ice Crush are programmed based on extensive testing in our kitchen and engineering lab. **As part of their programming, the blender will pause between bursts and cycles. This is normal and by design. Programs run for 20 to 60 seconds.**

a) **Auto Pulse Mode:** The pre-programmed Pulse mode creates a burst of power for quick, efficient blending. To use the Auto Pulse, from the Standby (On/Off) mode, push Pulse and the red LED indicator will flash. Then choose High or Low for auto-pulsing for up to 4 minutes. The pre-programmed sequences of short bursts with two-second intervals will commence. The Auto Pulse function can be used to break apart larger pieces of food or to control the texture of food when chopping. The Auto Pulse function is also effective in starting the blending process when you do not want continuous power, or when processing items that do not require an extended amount of blending.

b) **Smoothie:** start by powering the unit on and pressing Smoothie. The LED backlight will illuminate and a 30-second count-up program will begin. Not smooth enough for your liking? After the cycle stops, the blender will go into Standby mode. To reactivate press the Smoothie button again to start a new cycle. An audible chime will sound at the end of the cycle. You may stop the program at any time by pressing the Smoothie button again or by powering the unit off.

- c) **Ice Crush:** From the Standby mode, press Ice Crush. A pre-programmed cycle will begin. It is designed to run for approximately 25 seconds and will automatically stop at that point and an audible chime will sound. The blender will go back into Standby mode. To start another cycle, power the unit Off, power On and press Ice Crush again. To interrupt the program, press Ice Crush and the unit will pause, reverting to Standby. To continue, press Ice Crush again. To stop the cycle, move to another setting or press On/Off. **Note:** Moving from Ice Crush to Standby and then holding down the Ice Crush button momentarily will allow you to operate at a continuous speed automatically for one minute.

Interrupting any pre-programmed function – Pulse, Smoothie, or Ice Crush – will reset the program.

8. **TO DISLodge FOOD:** Use a rubber or plastic spatula to help remove food lodged around the cutting assembly. **DO NOT USE SPATULA UNTIL YOU HAVE TURNED THE BLENDER OFF.** Replace the cover and measured pour lid and continue blending, if necessary. Make sure spatula is not inside the blender jar before blending.
9. **WHEN FINISHED BLENDING:** Press the On/Off button and unplug the blender from the electrical outlet. Never remove the blender jar from the motor base until the blender is off. Do not twist locking ring from blender jar when removing jar from motor base. Simply lift blender jar from motor base. **Do not put hands into blender jar with blender plugged in.**
10. In the event the blender loses power and shuts off, simply unplug the unit and then plug it back in. Press On/Off to power the unit on. If the unit has overheated, let it cool down (10 minutes) before powering on.

CLEANING AND MAINTENANCE

Always unplug your Cuisinart® PowerEdge™ 1000-Watt Blender from the electrical outlet before cleaning. The blender is made of corrosion-resistant parts that are easy to clean. Before first use and after every use, clean each part thoroughly. Periodically check all parts before reassembly. If any part is damaged or blender jar is chipped or cracked, **DO NOT USE BLENDER.**

Remove the blender jar from the motor base by lifting straight up and away. Invert the jar. Twist off the locking ring by turning counterclockwise. If too tight, put the unit on the base and twist accordingly (see Helpful Reminders, page 5).

Remove the cutting assembly and rubber gasket. Wash in warm soapy water; rinse and dry thoroughly.

Place the blade assembly in the upper rack of the dishwasher or wash in warm water.

CAUTION: Handle the cutting assembly carefully. It is SHARP and may cause injury. Do not attempt to remove blades from cutting assembly.

Remove the blender jar cover and the measured pour lid. Wash in warm, soapy water; rinse and dry thoroughly, or place in upper rack of dishwasher. The blender jar must be washed in warm, soapy water and rinsed and dried thoroughly. The blender jar can also be placed upside down in dishwasher.

Finally, wipe the motor base clean with a damp cloth to remove any residue, and dry thoroughly. Never submerge the motor base in water or other liquid, or place in a dishwasher.

Tip: You may wish to clean your blender blade assembly as follows: Squirt a small amount of dishwashing liquid into assembled blender jar and fill halfway with warm water. Run on Low for 15 seconds. Repeat, using clean tap water. Empty blender jar and carefully disassemble parts.

DOs and DON'Ts WHEN USING YOUR BLENDER

Do:

- Make sure the electrical outlet is rated at the same voltage as that stated on the bottom of the blender motor base.
- Always use the blender on a clean, sturdy and dry surface.
- **Always add liquid ingredients to the blender jar first, then add remaining ingredients. This will ensure that ingredients are uniformly mixed.**
- Cut most foods into cubes approximately ½ inch (1.3 cm) to 1 inch (2.5 cm) to achieve a more uniform result. Cut all cheeses into pieces no larger than ½ inch (1.3 cm).

- Use the measured pour lid to measure liquid ingredients such as alcohol. Replace measured pour lid after ingredients have been added.
- Use a rubber or plastic spatula as needed, only when the blender is turned off. Never use metal utensils, as damage may occur to the blender jar or cutting assembly.
- Place cover on firmly. Always operate the blender with the cover on.
- Make sure locking ring is tightly attached to blender jar.
- Always remove blade assembly and rubber gasket before cleaning.
- When scraping the blender jar with a spatula, remove the food from the sides of the blender jar and place food in the center of the blender jar, over the blade assembly.
- When chopping fresh herbs, garlic, onion, zest, breadcrumbs, nuts, spices, etc., make sure the blender jar and cutting assembly are completely dry.
- If food tends to stick to the sides of the blender jar when blending, scrape down the sides of the blender jar with a spatula and then use the Auto Pulse to blend.

Don't:

- Don't store food or liquids in your blender jar.
- Don't place blade assembly onto motor base without the blender jar attached.
- Don't attempt to mash potatoes, knead heavy dough, or beat egg whites.
- Don't remove blender jar while unit is on. Keep the blender jar cover on the blender jar while blending.
- Don't twist locking ring from blender jar when removing blender jar from motor base. Simply lift blender jar from motor base.
- Don't overprocess foods. Blender will achieve most desired results in seconds, not minutes.
- Don't overload blender. If the motor stalls, turn the blender off immediately, unplug the unit and remove a portion of the food, then continue.
- Don't use any utensil inside the blender jar while the motor is on.
- Don't use any container or accessories not recommended by Cuisinart. Doing so may result in injury.
- Don't put hands inside the blender jar when blender is plugged in.
- Don't add boiling liquids or frozen foods (except ice cubes or ½-inch to 1-inch pieces of frozen fruit) to blender jar. Boiling liquids should cool for 5 minutes before being poured into blender jar.

RECIPE TIPS

The simple recipes that follow include some old Cuisinart® favorites as well as some creative combinations that are sure to please your friends and family. Thanks to the superior ice-crushing power and pre-programmability of the PowerEdge™ 1000-Watt Blender, you'll also be able to make delicious frozen drinks effortlessly.

Chopping Nuts: Place shelled nuts in the blender jar and cover blender. Use pre-programmed Pulse on High until desired chop is achieved. Pulse fewer times for coarsely chopped nuts. For best results process small amounts, ½ cup or less.

Bread, Cookie or Cracker Crumbs: Break or cut bread, cookies or crackers into pieces ½ inch or less in size. For best bread results, use day-old bread (drier bread works best). Place bread, cookie or cracker pieces in blender jar. Use Pulse on High to chop, then blend continuously on Low until desired texture of crumbs is achieved. For best results, process 1 cup or less at a time.

Crushing Ice: Add up to 8 standard ice cubes to the blender jar. Cover. Press the pre-programmed Ice Crush button. Timer will sound; turn blender off.

Grating Fresh Citrus Zest: For best results, blender jar and blade assembly must be clean and dry. Remove zest from fruit in strips using a vegetable peeler; use a sharp knife to remove the bitter white pith from the underside of the zest. Process no more than 8 strips at a time (zest of 1 medium lemon). Cut strips in half. Add strips and 1 to 2 teaspoons of sugar or coarse salt (from recipe) to the blender jar. Cover blender jar. Set on High; blend for 15 to 20 seconds. Turn blender off.

Baby Food: Combine no more than 1 pound of cooked vegetables or fruit with ½ cup liquid (water, milk, fruit juice, broth, or cooking liquid) in the blender jar. Cover. Set on High. Blend until smooth. Add more liquid as necessary and process further until desired texture is reached. Always consult with your pediatrician/family physician concerning the best foods for your baby and when to introduce new foods to his/her diet.

Grinding Hard Cheese: Cut cheese into ½-inch pieces; remove the outer hard rind. Place cheese in blender jar and cover blender. Pulse to chop cheese, then blend on High until desired grind is reached. For best results, grind no more than 3 ounces of cheese at a time.

Grinding Spices: For best results, blender jar and blade assembly must be clean and dry. Add ¼ to ½ cup of spices/seeds/peppercorns to blender jar. Cover. Pulse on High to break up, then blend on High until desired consistency is achieved.

Whipping Cream: If possible, chill blender jar and blade assembly in refrigerator for 15 minutes. Add 1 cup heavy or whipping cream to blender jar. Cover jar. Set on High and blend until cream is thickened. (Do not overblend – bits of butter will begin to form.) If desired, add 1 tablespoon of

sugar and 1 to 2 teaspoons of vanilla or other flavoring. Consistency will be that of a thickened, but not fluffy, whipped cream and is most appropriate for topping desserts or coffee drinks.

When using the blender to purée hot mixtures such as creamed soups and baby foods, strain the solids from the liquid, reserving the cooking liquid. Then place ½ to 1 cup of the reserved cooking liquid in the blender jar along with the cooked solids. Blend on Low first and then High, until desired consistency/purée is reached.

Allow hot foods to cool slightly before blending to prevent steam buildup, which may cause the lid to lift up from the blender jar.

Many recipes have large yields, but they can easily be halved if you desire a smaller amount.

Keep your blender out on the counter within easy reach and you will be surprised how often you will use it.

Keep ice cubes made of juices, yogurt, milk or fruit purées on hand to substitute for plain ice when making smoothies and frosty beverages to prevent diluting the drink.

RECIPES

Drinks

Strawberry Kiwi Rum Punch	11
Mango Vanilla Bean Mojito	11
Frozen Strawberry Daiquiri	11
Frozen Tropical Margarita	12
Classic Frozen Margarita	12
Frozen Espresso Martini	12
Basil Lemonade	13
Mint Chocolate Chip Ice Cream Shake	13

Smoothies

Berry Protein Smoothie	14
Cantaloupe Yogurt Smoothie	14
All-Fruit Smoothie	14
Summertime Cooler	15
Fruit and Tofu Smoothie	15
Green Vegetable and Fruit Smoothie	15
Super Antioxidant Smoothie	16

Breakfast/Brunch

Buckwheat Crêpes with Spinach and Goat Cheese	16
Bananas Foster Pancakes	17
Smoked-Bacon and Manchego Frittata	18
Whole-Wheat Apple Cinnamon Waffles	18

Sauces/Accompaniments

Charred Strawberry Vinaigrette	19
Cilantro Chutney	19
Thai Peanut Sauce	20
Roasted Vegetable Spread	20
Sun-Dried Tomato and Basil Pesto	21
Rémoulade	21
Orange-Ginger-Soy Marinade	21

Soups

Roasted Butternut Squash and Apple Soup	22
Gazpacho	22
Chilled Spicy Avocado Soup	23
Roasted Red Pepper Soup	23

Desserts

Chocolate Banana Crème Brûlée	24
Mascarpone-Honey Panna Cotta	24
Banana Raspberry Fool	25
Sweetened Whipped Cream	25
Raspberry-Orange Sauce	26

Strawberry Kiwi Rum Punch

This punch screams “summer!” It will be a hit at your next party.

Makes about eight 8-ounce servings

- 6 ounces orange juice**
- 6 ounces pineapple juice**
- 4 ounces fresh lime juice**
- 3 ounces light rum**
- 3 ounces tequila**
- 2 ounces grenadine**
- 4 ounces Triple Sec**
- 3 cups hulled and halved strawberries**
- 3 kiwis, peeled and cut into 1-inch pieces**
- 2 sprigs cilantro**
- 4 vanilla beans, split and seeds scraped, pods discarded**
- ½ teaspoon freshly ground black pepper**

Put all the ingredients, in the order listed, into the jar of your Cuisinart® PowerEdge™ 1000 Watt Blender. Cover and run on High for 25 seconds. Turn the power off. Pour the punch over ice; serve immediately.

Nutritional information per serving:

*Calories 190 (2% from fat) • carb. 33g • pro. 1g • fat 0g • sat. fat 0g • chol. 5mg
• sod. 1670mg • calc. 27mg • fiber 2g*

Mango Vanilla Bean Mojito

The ripeness of the mango makes a big difference in this play on the Cuban favorite. Be sure to use the ripest fruit available.

Makes about five 8-ounce servings

- 12 ounces light rum**
- 8 ounces fresh lime juice**

- 12½ ounces unflavored seltzer**
- 6 cups of 1-inch cubed very ripe mangoes (about 3 fruits)**
- 5 tablespoons granulated sugar**
- 3 kiwis, peeled and cut into 1-inch pieces**
- 4 vanilla beans, split and seeds scraped, pods discarded**
- 15 fresh mint leaves**

Put all the ingredients, in the order listed, into the jar of your Cuisinart® PowerEdge™ 1000 Watt Blender. Cover and run on High for 35 seconds. Turn the power off. Pour the punch over ice and serve immediately.

Nutritional information per serving:

*Calories 370 (1% from fat) • carb. 45g • pro. 1g • fat 0g • sat. fat 0g • chol. 0mg
• sod. 15mg • calc. 20mg • fiber 2g*

Frozen Strawberry Daiquiri

A popular beach or poolside drink, this drink is also great with raspberries.

Makes about six 8-ounce servings

- ⅓ cup fresh lime juice**
- ½ cup superfine sugar**
- 1½ cups light rum**
- 4 cups hulled and halved strawberries**
- 5 cups standard-size ice cubes (about 25 to 30 cubes)**

Put all the ingredients, in the order listed, into the jar of your Cuisinart® PowerEdge™ 1000 Watt Blender. Cover and run on the Ice Crush function. Turn the power off and serve immediately.

Nutritional information per serving:

*Calories 264 (1% from fat) • carb. 26g • pro. 1g • fat 0g • sat. fat 0g • chol. 0mg
• sod. 6mg • calc. 22mg • fiber 2g*

Frozen Tropical Margarita

Bring the tropics home with this sweet and powerful play on the classic margarita.

Makes about four 8-ounce servings

- 12 ounces tequila**
- 8 ounces Triple Sec**
- 8 ounces orange juice**
- 8 ounces pineapple juice**
- 12 ounces simple syrup***
- 4 ounces coconut milk**
- 5 cups standard-size ice cubes (about 25 to 30 cubes)**

Put all the ingredients in the order listed, into the jar of your Cuisinart® PowerEdge™ 1000 Watt Blender. Cover and run on the Ice Crush function for 20 seconds. Turn the power off and serve immediately.

*Simple syrup is sugar dissolved in water. To make, place equal parts water and granulated sugar in a saucepan set over medium-low heat. Syrup is done once the sugar has dissolved. Cool completely before using.

Nutritional information per serving:

*Calories 710 (10% from fat) • carb. 103g • pro. 1g • fat 8g • sat. fat 7g • chol. 0mg
• sod. 4450mg • calc. 13mg • fiber 0g*

Classic Frozen Margarita

Our Ice Crush function makes the perfect frozen drink.

Makes about seven 8-ounce servings

- 1 cup fresh lime juice**
- 1¼ cups tequila**
- 1 cup Triple Sec**
- ¼ cup simple syrup***
- 7 cups standard-size ice cubes (about 35 to 40 ice cubes)**

Put all the ingredients, in the order listed, into the jar of your Cuisinart® PowerEdge™ 1000 Watt Blender. Cover and run on the Ice Crush function for 35 seconds. Turn the power off and serve immediately.

*Simple syrup is sugar dissolved in water. To make, place equal parts water and granulated sugar in a saucepan set over medium-low heat. Syrup is done once the sugar has dissolved. Cool completely before using.

Nutritional information per serving:

*Calories 140 (0% from fat) • carb. 34g • pro. 0g • fat 0g • sat. fat 0g • chol. 0mg
• sod. 2680mg • calc. 8mg • fiber 0g*

Frozen Espresso Martini

Makes about seven 8-ounce servings

- 1 cup brewed espresso, chilled**
- 1 cup vanilla-flavored vodka**
- ⅔ cup Kahlúa®**
- ⅓ cup Tia Maria®**
- 6 cups standard size ice cubes (about 30 to 35 ice cubes)**

Put all the ingredients, in the order listed, into the jar of your Cuisinart® PowerEdge™ 1000 Watt Blender. Cover and run on the Ice Crush function. Turn the power off and serve immediately.

Nutritional information per serving:

*Calories 220 (0% from fat) • carb. 0g • pro. 0g • fat 0g • sat. fat 0g • chol. 0mg
• sod. 5mg • calc. 1mg • fiber 0g*

Basil Lemonade

The slight hint of basil in this homemade lemonade is a refreshing change to a classic.

Makes about six 6-ounce servings

- 6 ounces fresh lemon juice**
- 10 ounces simple syrup* (or to taste)**
- 6 large basil leaves**
- 12 ounces seltzer**

Put all the ingredients, in the order listed, into the jar of your Cuisinart® PowerEdge™ 1000 Watt Blender. Cover and run on High for 20 seconds. Turn the power off.

The lemonade can be strained to remove the chopped basil or can be served as is.

*Simple syrup is sugar dissolved in water. To make, place equal parts water and granulated sugar in a saucepan set over medium-low heat. Syrup is done once the sugar has dissolved. Cool completely before using.

Nutritional information per serving:

*Calories 150 (0% from fat) • carb. 39g • pro. 0g • fat 0g • sat. fat 0g • chol. 0mg
• sod. 0mg • calc. 5mg • fiber 0g*

Mint Chocolate Chip Ice Cream Shake

Rich and creamy milk shakes are made to perfection in your Cuisinart® PowerEdge™ 1000 Watt Blender.

Makes about eight 8-ounce servings

- 2 cups whole milk**
- 1/3 cup chocolate sauce**
- 6 cups mint chocolate chip ice cream (or your favorite flavor)**

Put all the ingredients, in the order listed, into the jar of your Cuisinart® PowerEdge™ 1000 Watt Blender. Cover and Auto Pulse on High for about 25 seconds. Then run on the Ice Crush function. Turn the power off and serve immediately.

Nutritional information per serving:

*Calories 348 (33% from fat) • carb. 50g • pro. 9g • fat 13g • sat. fat 8g • chol. 29mg
• sod. 167mg • calc. 305mg • fiber 1g*

Berry Protein Smoothie

A healthy start to the morning, this will give you energy for the entire day.

Makes about eight 8-ounce servings

- 3 cups soy milk**
- 2 bananas, cut into 1-inch pieces**
- 1/4 cup protein powder**
- 3 tablespoons flax seed meal**
- 6 cups mixed berries (fresh and/or frozen, thawed)**

Put all the ingredients, in the order listed, into the jar of your Cuisinart® PowerEdge™ 1000 Watt Blender. Cover and run on the Smoothie function. Once the program is complete, turn the power off and serve.

Nutritional information per serving:

*Calories 172 (14% from fat) • carb. 32g • pro. 7g • fat 3g • sat. fat 0g • chol. 0mg
• sod. 85mg • calc. 145mg • fiber 6g*

Cantaloupe Yogurt Smoothie

This smoothie has a nice tanginess to it, thanks to the plain yogurt. The cantaloupe imparts a natural sweetness.

Makes about eight 8-ounce servings

- 2½ cups orange juice**
- 5 cups 1-inch cubed cantaloupe**
- 1½ cups nonfat plain yogurt**
- 1½ cups standard-size ice cubes (about 8 to 10)**

Put all the ingredients, in the order listed, into the jar of your Cuisinart® PowerEdge™ 1000 Watt Blender. Cover and run on the Smoothie function. Once the program is complete, turn the power off and serve.

Nutritional information per serving:

*Calories 92 (2% from fat) • carb. 21g • pro. 3g • fat 0g • sat. fat 0g • chol. 0mg
• sod. 53mg • calc. 66mg • fiber 1g*

All-Fruit Smoothie

Always a winner here at Cuisinart®, our All-Fruit Smoothie combines a variety of fresh fruit and juice. The blender will be packed to the top with fruit; our Smoothie function will have no trouble blending all of it.

Makes about seven 8-ounce servings

- 2/3 cup orange juice**
- 1¼ cups 1-inch cubed cantaloupe**
- 1¼ cups raspberries, fresh or frozen**
- 1¼ cups 1-inch cubed pineapple**
- 1¼ cups 1-inch orange segments**
- 1¼ cups hulled and halved strawberries**
- 1½ bananas, cut into 1-inch pieces**
- 1¼ cups standard-size ice cubes (about 8)**

Put all the ingredients, in the order listed, into the jar of your Cuisinart® PowerEdge™ 1000 Watt Blender. Cover and run on the Smoothie function. Once the program is complete, turn the power off and serve.

Nutritional information per serving:

*Calories 100 (4% from fat) • carb. 26g • pro. 2g • fat 1g • sat. fat 0g • chol. 0mg
• sod. 10mg • calc. 41mg • fiber 4g*

Summertime Cooler

Beat the heat with this light drink.

Makes about six 8-ounce servings

- 1/3 cup fresh lime juice**
- 1 1/2 cucumbers (about 8 ounces), peeled and seeded, cut into 1/4-inch pieces**
- 7 cups 1-inch cubed seedless watermelon**
- 1/3 cup fresh mint leaves**

Put all the ingredients, in the order listed, into the jar of your Cuisinart® PowerEdge™ 1000 Watt Blender. Cover and run on High for 45 seconds. Turn the power off and serve.

Nutritional information per serving:

*Calories 63 (4% from fat) • carb. 16g • pro. 1g • fat 0g • sat. fat 0g • chol. 0mg
• sod. 3mg • calc. 23mg • fiber 1g*

Fruit and Tofu Smoothie

This incredibly creamy smoothie is not extremely sweet, so stir in extra honey to taste.

Makes about seven 8-ounce servings

- 1 1/2 cups orange juice**
- 14 ounces soft tofu, drained and cubed**
- 1 frozen banana, cut into 1-inch pieces**
- 2 cups hulled and halved strawberries**
- 2 cups 1-inch cubed mango (from about 1 fruit)**
- 2 tablespoons honey**

Put all the ingredients, in the order listed, into the jar of your Cuisinart® PowerEdge™ 1000 Watt Blender. Cover and run on the Smoothie function. Once the program is complete, turn the power off and serve.

Nutritional information per serving:

*Calories 160 (12% from fat) • carb. 32g • pro. 5g • fat 3g • sat. fat 0g • chol. 0mg
• sod. 20mg • calc. 101mg • fiber 3g*

Green Vegetable and Fruit Smoothie

An easy and delicious way to incorporate more vegetables into your diet.

Makes about six 8-ounce servings

- 1 1/2 cups apple juice**
- 1 cup pineapple juice**
- 2 1/2 cups 1-inch cubed mango (from about 1 1/2 fruits)**
- 10 ounces frozen spinach, thawed and squeezed of liquid**
- 2 bananas, cut into 1-inch pieces**
- 3 kiwis, peeled and cut into 1-inch pieces**
- 1 cup parsley**

Put all the ingredients, in the order listed, into the jar of your Cuisinart® PowerEdge™ 1000 Watt Blender. Cover and run on High for 2 minutes, or until the smoothie is bright green and completely smooth. Turn the power off and serve.

Nutritional information per serving:

*Calories 159 (3% from fat) • carb. 39g • pro. 3g • fat 1g • sat. fat 1g • chol. 0mg
• sod. 73mg • calc. 66mg • fiber 5g*

Super Antioxidant Smoothie

Refresh your body with this good-for-you combination of pomegranate, blueberries and flax seeds.

Makes about seven 8-ounce servings

- 3 cups pomegranate juice**
- 3 cups of fresh or frozen (thawed) blueberries**
- 4 frozen bananas cut into 1-inch pieces**
- 3 tablespoons flax seed meal**

Put all the ingredients, in the order listed, into the jar of your Cuisinart® PowerEdge™ 1000 Watt Blender. Cover and run on the Smoothie function. Once the program is complete, turn the power off and serve.

Nutritional information per serving:

*Calories 170 (7% from fat) • carb. 40g • pro. 2g • fat 2g • sat. fat 0g • chol. 0mg
• sod. 9mg • calc. 11mg • fiber 4g*

Buckwheat Crêpes with Spinach and Goat Cheese

This brunch dish is absolutely delicious served with hollandaise sauce. To save time in the morning, prepare the crêpe batter the night before.

Makes 12 servings

Buckwheat crêpes:

- 2½ cups whole milk**
- 6 tablespoons unsalted butter, melted and cooled to room temperature**
- 6 large eggs**
- 1½ cups buckwheat flour**
- ½ cup unbleached, all-purpose flour**
- 1 teaspoon sea salt**

Filling:

- 2 tablespoons olive oil**
- 1 red onion, chopped**
- 2½ pounds (40 ounces) baby spinach**
- 1¼ teaspoons sea salt**
- ½ teaspoon freshly ground black pepper**
- 12 large eggs**
- 1 to 2 teaspoons unsalted butter**
- 8 ounces soft goat cheese**

Put the milk, butter and eggs into the jar of your Cuisinart® PowerEdge™ 1000 Watt Blender. Run on Low for 20 seconds. Add the flours and salt; cover and run on High until smooth and completely combined, about 30 seconds. Transfer mixture to a mixing bowl; cover and chill at least 4 hours, or overnight.

While the crêpe batter is chilling, prepare the filling: Put the oil into a large skillet and place over medium heat. Once the oil shimmers across the pan, add the onion and sauté until softened, about 3 minutes. Add the spinach a handful at a time, salt and pepper, and sauté until bright and wilted, about 9 minutes total. Reserve filling.

Poach the eggs: Pour water with 1 tablespoon of white vinegar per every 4 quarts into a large saucepan. Place over high heat and bring to a strong simmer. Carefully add eggs by cracking over the water – use a spatula to separate the eggs. Cook until desired doneness. Transfer with slotted spoon to ice water to stop cooking. Reserve.

Prepare the crêpes: Place a non-stick 8-inch skillet over medium heat and preheat for 5 minutes. Once the pan is heated, add the butter. Once melted, wipe the butter around the pan with a paper towel. Add a scant ¼ cup of batter to the preheated pan. Working very quickly, move the batter around so it just coats the bottom. You want the pan to be coated thinly and evenly. After about 1 minute, when the crêpe is set and lightly browned, flip the crêpe using a heatproof spatula and cook for an additional minute. Reserve on a plate. Continue with the remaining batter, stacking the crêpes as you go.

When all of the crêpes are prepared, cover plate with foil – to keep crêpes warm, place plate over a skillet containing some water over medium-low heat.

To serve crêpes:

Bring a small pot of water to a simmer. Reheat poached eggs by placing in simmering water for 30 seconds. Remove with a spoon.

Each crêpe should be filled with ¼ cup of the spinach filling and ½ tablespoon of goat cheese. Fold each crêpe in half and lay one partially on top of the other. Place the two crêpes on each plate and top with a reheated poached egg.

Serve with hollandaise sauce on the side.

Nutritional information per serving:

Calories 348 (56% from fat) • carb. 20g • pro. 18g • fat 22g • sat. fat 10g • chol. 347mg
• sod. 744mg • calc. 139mg • fiber 1g

Bananas Foster Pancakes

Take the famous dessert and turn it into breakfast. Your Cuisinart® PowerEdge™ 1000 Watt Blender makes this recipe a quick treat in the morning.

Makes about thirty 4-inch pancakes

- 1 banana, cut into ¼-inch dice**
- 1 tablespoon unsalted butter**
- ¾ cup dark brown sugar, divided**
- ½ cup dark rum**
- 1½ cups buttermilk**
- 2 large eggs**
- ¼ cup unsalted butter, melted and cooled to room temperature**
- ¾ teaspoon pure vanilla extract**
- 1¾ cups unbleached, all-purpose flour**
- 1 teaspoon baking soda**
- ½ teaspoon baking powder**
- ¼ teaspoon table salt**
- nonstick cooking spray**

Put the banana, tablespoon of butter and ¼ cup of the brown sugar in a small saucepan. Place over medium heat. Once the mixture begins to simmer, carefully add the rum. Let mixture reduce, about 5 minutes, and then remove from heat; reserve.

Put the buttermilk, eggs, butter and vanilla into the jar of your Cuisinart® PowerEdge™ 1000 Watt Blender. Auto Pulse Low for 10 seconds. Scrape down the sides of the jar with a spatula. Add the dry ingredients, including remaining brown sugar, to the blender jar and Auto Pulse on Low for 20 to 25 seconds. Add the reserved banana mixture and blend on Low until incorporated, about 5 seconds.

Preheat a Cuisinart® Griddler® fitted with the griddle plates to 375°F (or use a stovetop griddle). Coat the griddle plates with nonstick cooking spray.

For each pancake, pour $\frac{1}{4}$ cup batter onto the preheated griddle. Cook 2 to 3 minutes, or until bubbles have formed on top and bottom is lightly browned. Turn pancakes and cook other side until done, about 3 more minutes. Repeat with remaining batter.

Nutritional information per serving (3 pancakes):

Calories 241 (22% from fat) • carb. 34g • pro. 5g • fat 6g • sat. fat 4g • chol. 56mg
• sod. 236mg • calc. 55mg • fiber 1g

Smoked-Bacon and Manchego Frittata

Frittatas are a great alternative to traditional omelets. Try this one – you will not be disappointed.

Makes 10 servings

- 5 slices applewood-smoked bacon, cut into small dice**
- $\frac{1}{2}$ large red bell pepper, cut into $\frac{1}{2}$ -inch pieces**
- $\frac{1}{4}$ large red onion, cut into $\frac{1}{2}$ -inch pieces**
- 10 large eggs**
- $\frac{1}{4}$ cup heavy cream**
- $\frac{1}{2}$ teaspoon sea salt**
- $\frac{1}{4}$ teaspoon freshly ground black pepper**
- nonstick cooking spray**
- 4 ounces manchego, shredded**
- 8 green onions, chopped**

Preheat oven to 375°F.

Combine bacon, red pepper and red onion in a small microwave-safe bowl. Cover with a paper towel and cook in a Cuisinart® microwave on High for 10 minutes.

While the bacon and vegetables are cooking, put the eggs, cream, salt and pepper into the jar of your Cuisinart® PowerEdge™ 1000 Watt Blender. Add the cooked bacon/vegetable mixture. Auto Pulse on Low for 8 to 10 seconds, or until combined.

Liberal spray a 12-inch sauté pan with nonstick cooking spray. Add the blended egg mixture to the pan; top with the manchego and onions. Place the filled pan in the preheated oven; bake for 25 minutes. After baking, let frittata sit for 5 minutes before slicing and serving.

Nutritional information per serving:

Calories 150 (64% from fat) • carb. 4g • pro. 9g • fat 10g • sat. fat 5g • chol. 230mg
• sod. 340mg • calc. 96mg • fiber 1g

Whole-Wheat Apple Cinnamon Waffles

The nuttiness of whole-wheat flour comes to the forefront in this comforting waffle.

Makes about 12 servings

- 2 tablespoons unsalted butter**
- 2 apples, peeled, cored and cut into $\frac{1}{4}$ -inch dice**
- $1\frac{2}{3}$ cups reduced-fat milk**
- $\frac{3}{4}$ teaspoon pure vanilla extract**
- $\frac{1}{4}$ cup unsalted butter, melted and cooled, divided**
- 2 large eggs, lightly beaten**
- 1 cup whole-wheat flour**
- 1 cup unbleached, all-purpose flour**
- 3 tablespoons granulated sugar**
- 1 tablespoon baking powder**
- 1 teaspoon table salt**
- $\frac{1}{2}$ teaspoon ground cinnamon**
- nonstick cooking spray**

Put 2 tablespoons of the butter into a small sauté pan and set over medium heat. Once melted, add the diced apples. Let cook until browned and softened, about 4 minutes. Reserve.

Put the remaining ingredients (except cooking spray), in the order listed, into the jar of your Cuisinart® PowerEdge™ 1000 Watt Blender. Run on Low for 2 minutes, or until mixture is smooth.

Add the apple mixture to the batter and Auto Pulse on High for about 8 seconds to combine.

Lightly coat a Cuisinart® Belgian Waffle Maker with nonstick cooking spray. Preheat to Level 4.

Pour the suggested amount of batter (refer to waffle maker instructions) onto the prepared, preheated waffle maker. Quickly and carefully spread the batter evenly with a heatproof spatula. Close the cover and cook until tone sounds.

Nutritional information per waffle:

Calories 172 (38% from fat) • carb. 23g • pro. 5g • fat 8g • sat. fat 4g • chol. 54mg • sod. 350mg • calc. 129mg • fiber 2g

Charred Strawberry Vinaigrette

This dressing adds flair to simple mixed greens, is a light marinade for fish, and can also be used as a dipping sauce for egg rolls or fried seafood.

Makes 4 cups

- 1½ cups vegetable oil, divided**
- 4 cups hulled and halved strawberries**
- 10 large basil leaves**
- 1 teaspoon ground cumin**
- 2 teaspoons sea salt**
- 1 teaspoon freshly ground black pepper**
- 3 tablespoons white balsamic vinegar**

Put ½ teaspoon of the oil into a small sauté pan set over high heat. Once the oil begins to smoke, add the strawberries. Brown evenly on all sides. Remove and put into the jar of your Cuisinart® PowerEdge™ 1000 Watt Blender. Auto Pulse on Low for 10 seconds or until roughly chopped; scrape sides of jar. Add the basil, cumin, salt, pepper and vinegar; run on High and blend for 20 seconds. While running, add the remaining oil and let blend for 25 seconds.

Nutritional information per serving (2 tablespoons):

Calories 88 (92% from fat) • carb. 2g • pro. 0g • fat 9g • sat. fat 1g • chol. 0mg • sod. 134mg • calc. 4mg • fiber 0g

Cilantro Chutney

This simple accompaniment tames the heat of spicy food.

Makes about 3 cups

- 1 pint sour cream**
- 1½ bunches fresh cilantro**
- 5 garlic cloves**
- ¼ large sweet onion (e.g., Vidalia)**
- ¾ pound peeled fresh ginger, cut into ½-inch pieces (about ¼ cup chopped)**
- 1 small jalapeño, seeded and cut into ½-inch pieces**
- ½ teaspoon sea salt**
- ½ teaspoon granulated sugar**

Put all of the ingredients, in the order listed, into the jar of your Cuisinart® PowerEdge™ 1000 Watt Blender. Run on High for 40 seconds.

The chutney is best served after chilling in the refrigerator for a day or two to help meld the flavors.

Nutritional information per serving (2 tablespoons):

Calories 45 (80% from fat) • carb. 2g • pro. 1g • fat 4g • sat. fat 3g • chol. 8mg • sod. 56mg • calc. 26mg • fiber 0g

Thai Peanut Sauce

A classic accompaniment to summer rolls, this sauce can also be used with noodles or chicken.

Makes about 5 cups

- 2 cups coconut milk**
- ½ cup reduced-sodium soy sauce**
- ¼ cup sesame oil**
- ¼ cup rice vinegar**
- 2 tablespoons fish sauce**
- 3 small to medium jalapeños, seeded and cut into 1-inch pieces**
- 3 garlic cloves**
- 8 ½-inch pieces of peeled, fresh ginger (about 1 ounce)**
- 4 cups roasted peanuts**
- ½ cup packed light or dark brown sugar**
- ¼ cup red chile paste**

Put all of the ingredients, in the order listed, into the jar of your Cuisinart® PowerEdge™ 1000 Watt Blender. Auto Pulse on High for about 10 seconds and then run on High for 1 minute, or until completely smooth.

Remove and serve.

Nutritional information per serving (2 tablespoons):

*Calories 124 (70% from fat) • carb. 7g • pro. 3g • fat 10g • sat. fat 3g • chol. 0mg
• sod. 131mg • calc. 8mg • fiber 1g*

Roasted Vegetable Spread

The rich and sweet flavors of the roasted vegetables, along with the tanginess of the capers and vinegar, make this recipe a match for many items. We love it on toasted bread or crackers, or even as a sauce over couscous or pasta.

Makes about 4 cups

- 1 large eggplant, cut into 1-inch pieces**
- 1 large red onion, cut into 1-inch pieces**
- 10 garlic cloves, smashed**
- ½ cup extra virgin olive oil, divided**
- 3 tablespoons balsamic vinegar**
- 6 jarred roasted red peppers, cut into 2-inch pieces**
- ¾ teaspoon sea salt**
- ¾ teaspoon freshly ground black pepper**
- 3 tablespoons fresh basil leaves**
- 1½ tablespoons capers, drained**

Preheat oven to 375°F with the rack in the upper position.

Toss the eggplant, onion and garlic with 3 tablespoons of the olive oil. Spread on a baking pan and roast in the preheated oven for about 35 to 40 minutes, or until vegetables are browned.

Put the remaining olive oil, balsamic vinegar and roasted peppers into the jar of your Cuisinart® PowerEdge™ 1000 Watt Blender. Add the roasted vegetables and the remaining ingredients, except for the basil and capers. Auto Pulse on High for about 45 seconds. Run on High for 30 seconds. Add the basil and Pulse on High an additional 3 times. Transfer mixture to a medium mixing bowl; stir in the capers and serve.

Nutritional information per serving (2 tablespoons):

*Calories 25 (70% from fat) • carb. 2g • pro. 0g • fat 2g • sat. fat 0g • chol. 0mg
• sod. 56mg • calc. 4mg • fiber 1g*

Sun-Dried Tomato and Basil Pesto

A twist on traditional pesto, the sun-dried tomato brings a welcome change to this popular sauce.

Makes about 5 cups

- 3 cups extra virgin olive oil**
- 8 garlic cloves**
- 4 cups sun-dried tomatoes (packed in oil; drained)**
- 1½ cups fresh basil leaves**
- ¼ teaspoon freshly ground black pepper**
- ⅓ cup grated Pecorino Romano**
- ¾ teaspoon sea salt**
- 3 tablespoons white vinegar**

Put all ingredients, in the order listed, into the jar of your Cuisinart® PowerEdge™ 1000 Watt Blender. Run on High for 2½ minutes or until desired consistency is achieved.

Adjust seasonings to taste and serve.

Nutritional information per serving (2 tablespoons):

*Calories 173 (92% from fat) • carb. 3g • pro. 1g • fat 19g • sat. fat 3g • chol. 1mg
• sod. 82mg • calc. 18mg • fiber 1g*

Rémoulade

A traditional condiment in France, this version is best paired with pan-fried white fish.

Makes about 4 cups

- ¼ cup water**
- ¾ teaspoon hot sauce**
- 1½ tablespoons Worcestershire sauce**
- ¾ cup cornichons**

- 1 cup jarred roasted red peppers, drained and cut into 2-inch pieces**
- ¼ cup capers, drained**
- ¾ cups mayonnaise**

Put all ingredients in the order listed, into the jar of your Cuisinart® PowerEdge™ 1000 Watt Blender. Run on High for 40 seconds.

Adjust seasonings to taste and serve.

Nutritional information per serving (2 tablespoons):

*Calories 195 (97% from fat) • carb. 1g • pro. 0g • fat 21g • sat. fat 4g • chol. 19mg
• sod. 246mg • calc. 3mg • fiber 0g*

Orange-Ginger-Soy Marinade

This works well with most meats, especially pork and chicken.

Makes about 4 cups

- 3 cups orange juice**
- 3 tablespoons reduced-sodium soy sauce**
- 1½ tablespoons rice wine vinegar**
- 3 ounces fresh peeled ginger, cut into ½-inch pieces**
- 6 scallions, cut into 1-inch pieces**
- ⅓ cup fresh cilantro**
- ½ teaspoon sea salt**
- 3 tablespoons honey**

Put all ingredients, in the order listed, into the jar of your Cuisinart® PowerEdge™ 1000 Watt Blender. Run on High for 45 seconds.

Nutritional information per serving (2 tablespoons):

*Calories 21 (1% from fat) • carb. 5g • pro. 0g • fat 0g • sat. fat 0g • chol. 0mg
• sod. 81mg • calc. 3mg • fiber 0g*

Roasted Butternut Squash and Apple Soup

Welcome the fall and winter seasons with this flavorful soup.

Makes about 10 cups

- 3** **tablespoons extra virgin olive oil**
- 3** **pounds butternut squash, halved and seeded**
- 2** **tablespoons unsalted butter**
- 1** **large onion (about 8 ounces), cut into 1-inch pieces**
- 3** **apples, peeled, cored and cut into 1-inch pieces**
- 1** **tablespoon light or dark brown sugar**
- 3** **tablespoons minced ginger (about one 2-inch piece)**
- 1½** **quarts vegetable or chicken broth**
- 1** **teaspoon ground nutmeg**
- 1½** **teaspoons sea salt**
- pinch freshly ground black pepper**
- ½** **teaspoon fresh thyme**

Preheat oven to 375°F.

Pour the oil over the cut sides of the squash. Place squash cut side down on a parchment or foil-lined baking sheet. Place in the preheated oven and roast 30 to 40 minutes, or until a paring knife can easily pierce the skin of the squash.

While the squash is cooking, put the butter into a large stock pot set over medium-high heat. Once the butter has melted, add the onion and sauté for about 8 minutes, or until softened. Stir in the apples and sugar; sauté an additional 12 minutes, or until the apples are soft. Add the ginger and sauté until tender, about 3 to 4 minutes. Stir in the roasted squash, broth and spices. Bring the mixture to a boil and then reduce heat so that the mixture is just simmering. Let the soup simmer for about 1 hour.

Strain the soup, reserving solids and liquid separately. Put half of the liquid and then half of the solids into the jar of your Cuisinart® PowerEdge™ 1000 Watt Blender.

Run on High for 25 seconds; remove and reserve. Add the remaining liquid and solids and repeat.

Serve immediately.

Nutritional information per serving (1 cup):

*Calories 162 (34% from fat) • carb. 26g • pro. 2g • fat 7g • sat. fat 2g • chol. 6mg
• sod. 704mg • calc. 76mg • fiber 1g*

Gazpacho

Great for a hot summer day, serve this simple soup that requires no cooking at your next barbecue.

Makes about 7 cups

- 1½** **pounds tomatoes, cut into 1-inch pieces, divided**
- 1** **medium English cucumber (about 8 ounces), cut into 1-inch pieces, divided**
- 1** **yellow bell pepper, cored, seeded and cut into 1-inch pieces, divided**
- ½** **red onion, cut into 1-inch pieces, divided**
- 2** **garlic cloves**
- 3** **tablespoons sherry vinegar**
- 1** **slice white bread, torn into four pieces**
- ½** **cup extra virgin olive oil**
- ¾** **teaspoon ground cumin**
- 1¼** **teaspoons sea salt**
- ½** **teaspoon freshly ground black pepper**
- 1** **teaspoon granulated sugar**
- ¾** **teaspoon paprika**
- 3** **cups grape tomatoes, divided**
- 1** **medium jalapeño, seeded and cut into ½-inch pieces**
- ⅓** **cup fresh cilantro**

Put the first 13 ingredients (reserving half each of the tomatoes, cucumber, yellow pepper and red onion), in the order listed, and 2 cups of the grape tomatoes, into the jar of your Cuisinart® PowerEdge™ 1000 Watt Blender. Auto Pulse on High for about 40 to 45 seconds. Add the remaining grape tomatoes, jalapeño and cilantro; run on High for 1½ minutes, or until completely smooth. Strain the mixture and discard the strained solids; reserve the liquid.

Add the reserved vegetables to the blender jar. Auto Pulse on High for 15 seconds, or until roughly chopped. Add the chopped vegetables to the reserved liquid.

Adjust seasonings to taste and serve.

Nutritional information per serving (1 cup):

*Calories 208 (68% from fat) • carb. 15g • pro. 3g • fat 17g • sat. fat 2g • chol. 0mg
• sod. 429mg • calc. 37mg • fiber 3g*

Chilled Spicy Avocado Soup

With the flavors of guacamole blended together, serve this as a special first course for your family and friends.

Makes about 7 cups

2½ cups vegetable broth
5 ripe avocados, peeled, pitted and cut into 1-inch pieces
⅓ cup fresh lime juice
⅓ cup fresh cilantro
1 medium jalapeño, seeded and cut into ½-inch pieces
5 green onions, cut into 1-inch pieces
1¾ teaspoons sea salt
pinch freshly ground black pepper

Put all ingredients, in the order listed, into the jar of your Cuisinart® PowerEdge™ 1000 Watt Blender. Run on High for 40 to 45 seconds, or until completely smooth.

Adjust seasonings to taste and serve.

Nutritional information per serving (1 cup):

*Calories 166 (67% from fat) • carb. 12g • pro. 2g • fat 13g • sat. fat 2g • chol. 0mg
• sod. 499mg • calc. 30mg • fiber 6g*

Roasted Red Pepper Soup

Roasting your own peppers is simple to do and adds a real fresh flavor to this creamy soup.

Makes about 8 cups

10 red bell peppers, seeded
1 tablespoon unsalted butter
10 garlic cloves, roughly chopped
1 large shallot (about 1½ ounces), roughly chopped
½ medium onion (about 4 ounces), roughly chopped
3 tablespoons sherry
4 cups reduced-sodium chicken broth
2 tablespoon fresh thyme
1½ teaspoons white balsamic vinegar
2 teaspoons granulated sugar
½ teaspoon sea salt
¼ teaspoon freshly ground black pepper

Flatten the seeded bell peppers and then on a foil-lined baking sheet. Place on the top rack in your oven and broil until the peppers are just blackened. Remove and place in a mixing bowl; cover with plastic. Reserve.

While the peppers are roasting, put the butter into a medium saucepan set over medium heat. Once the butter has melted, add

the garlic, shallot and onion. Cook until softened and just brown. Add the sherry to the saucepan and simmer until reduced by half. Add the broth and raise the heat to medium-high. Bring the stock just to a boil. Let sit for 5 minutes and then pour into the jar of your Cuisinart® PowerEdge™ 1000 Watt Blender.

Carefully take the skins off of the roasted peppers; cut into quarters. Place in the jar of the blender. Auto Pulse on Low for about 10 seconds and then run on High for 1 minute or until completely smooth.

Adjust salt and pepper to taste and serve.

Nutritional information per serving (1 cup):

*Calories 70 (19% from fat) • carb. 11g • pro. 3g • fat 1g • sat. fat 2g • chol. 4mg
• sod. 442mg • calc. 21mg • fiber 1g*

Chocolate Banana Crème Brûlée

Your Cuisinart® PowerEdge™ 1000 Watt Blender makes this impressive dessert quick and easy. Both kids and adults will love it.

Makes 8 servings

- 3 cups heavy cream**
- 1½ cups whole milk**
- 1 vanilla bean, split and seeds scraped**
- 6 ounces milk chocolate**
- 8 large egg yolks**
- ¾ cup granulated sugar, divided**
- 2 bananas, sliced**

Preheat an oven to 325°F with the rack in the middle position.

In a small saucepan, combine the heavy cream, milk and vanilla bean, including the pod. Set over medium heat and bring just to a simmer. Remove the vanilla bean pod and discard.

Put the chocolate, egg yolks, 5 tablespoons of the granulated sugar and hot cream/milk mixture into the jar of your Cuisinart® PowerEdge™ 1000 Watt Blender. Run on Low for 30 seconds.

Evenly divide the mixture among 8 shallow ramekins. Skim the foam off of the top by blotting with a paper towel. Place the ramekins in a rimmed baking pan and then add water to a depth of ¼ inch of the ramekins.

Bake for 40 minutes, or until just set. Cool to room temperature and then chill overnight.

Before serving, place banana slices evenly on top of each chilled custard and then liberally sprinkle the reserved sugar over each. Using a kitchen torch, caramelize the sugar by quickly moving the flame back and forth about 1 inch above the ramekin.

Nutritional information per serving:

*Calories 605 (66% from fat) • carb. 44g • pro. 8g • fat 44g • sat. fat 26g • chol. 344mg
• sod. 84mg • calc. 178mg • fiber 1g*

Mascarpone-Honey Panna Cotta

Toasted chopped pistachios are a wonderful topping for this rich and creamy panna cotta.

Makes 8 servings

- 3 tablespoons water**
- 2 teaspoons unflavored powdered gelatin**
- 3 cups heavy cream, divided**
- ½ cup nonfat, plain yogurt**
- 1¼ cups mascarpone, room temperature**
- 1½ teaspoons pure vanilla extract**
- 4 tablespoons honey**
- ¾ cup granulated sugar**

Pour the water into a small mixing bowl or liquid measuring cup. Sprinkle the gelatin over the water; stir to mix. Let stand until softened, about 15 minutes.

While gelatin is activating, put 1½ cups of the cream, yogurt, mascarpone, vanilla and honey in a medium mixing bowl. Whisk to combine; reserve.

Pour the remaining cream and sugar into a small saucepan. Set over medium heat; whisk to dissolve sugar. Bring the mixture to a simmer. Once the cream/sugar mixture has reached a simmer, stir in the water/gelatin mixture. Put the combined mixture into the jar of your Cuisinart® PowerEdge™ 1000 Watt Blender. Add the cream/yogurt/mascarpone mixture. Run on Low for 20 seconds.

Divide the blended mixture among eight 5-ounce ramekins. Chill overnight.

Nutritional information per serving:

Calories 511 (72% from fat) • carb. 32g • pro. 5g • fat 42g • sat. fat 26g • chol. 150mg • sod. 120mg • calc. 98mg • fiber 0g

Banana-Raspberry Fool

This versatile dessert can be made with just about any fruit. Follow the same instructions but substitute your favorite fruit in place of the raspberries and bananas – you may also have to adjust the sugar amount to taste, depending on the ripeness of the fruit used.

Makes 6 servings

- 2 medium bananas, cut into 1-inch pieces**
- 2 tablespoons light or dark brown sugar**
- pinch table salt**
- 1 cup fresh or frozen (thawed) raspberries**
- ½ tablespoon fresh lemon juice**
- 1½ cups heavy cream, well chilled**
- 3 tablespoons granulated sugar**

Put the bananas, brown sugar, salt, raspberries and lemon juice into the jar of your Cuisinart® PowerEdge™ 1000 Watt Blender. Run on Low for 1½ minutes.

With the blender running on Low, add the cream and granulated sugar through the top of the lid. Continue on Low until mixture has thickened, about 2½ minutes.

Divide the blended mixture among six 5-ounce-ramekins. Chill overnight.

Nutritional information per serving:

Calories 290 (66% from fat) • carb. 23g • pro. 2g • fat 22g • sat. fat 14g • chol. 82mg • sod. 45mg • calc. 46mg • fiber 2g

Sweetened Whipped Cream

It is always a treat to have a dollop of our Sweetened Whipped Cream over fresh fruit or a cup of coffee.

Makes 1¼ cups

- 1 cup heavy cream, well-chilled**
- 1 tablespoon granulated sugar**
- ½ teaspoon pure vanilla extract**

Put all ingredients, in the order listed, into the jar of your Cuisinart® PowerEdge™ 1000 Watt Blender. Run on High for 20 seconds.

Nutritional information per serving (2 tablespoons):

Calories 85 (91% from fat) • carb. 1g • pro. 0g • fat 9g • sat. fat 5g • chol. 33mg • sod. 9mg • calc. 15mg • fiber 0g

Raspberry-Orange Sauce

The raspberry and orange flavors are a winning combination. Dress up your crêpes or pancakes in the morning with a drizzle of this simple sauce.

Makes about 3 cups

- 2 tablespoons orange juice**
- 2 tablespoons water**
- 8 cups fresh or frozen (thawed) raspberries**
- 6 tablespoons plus 1 teaspoon granulated sugar**
- 1 teaspoon orange zest**
- ¼ teaspoon table salt**

Put all ingredients, in the order listed, into the jar of your Cuisinart® PowerEdge™ 1000 Watt Blender. Run on High for 1½ minutes. Strain through a fine mesh strainer.

Nutritional information per serving (2 tablespoons):

*Calories 34 (6% from fat) • carb. 8g • pro. 1g • fat 0g • sat. fat 0g • chol. 0mg
• sod. 23mg • calc. 11mg • fiber 3g*

LIMITED THREE-YEAR WARRANTY

This warranty is available to consumers only. You are a consumer if you own a Cuisinart® PowerEdge™ 1000-Watt Blender that was purchased at retail for personal, family or household use. Except as otherwise required under applicable law, this warranty is not available to retailers or other commercial purchasers or owners. We warrant that your Cuisinart® PowerEdge™ 1000-Watt Blender will be free of defects in materials and workmanship under normal home use for 3 years from the date of original purchase.

We recommend that you visit our website, www.cuisinart.com for a fast, efficient way to complete your product registration. However, product registration does not eliminate the need for the consumer to maintain the original proof of purchase in order to obtain the warranty benefits. In the event that you do not have proof of purchase date, the purchase date for purposes of this warranty will be the date of manufacture.

If your Cuisinart® PowerEdge™ 1000-Watt Blender should prove to be defective within the warranty period, we will repair it, or if we think necessary, replace it. To obtain warranty service, simply call our toll-free number, 1-800-726-0190, for additional information from our Customer Service Representatives, or send the defective product to:

Cuisinart
7811 North Glen Harbor Blvd.
Glendale, AZ 85307

To facilitate the speed and accuracy of your return, please enclose \$10.00 for shipping and handling of the product.

Please pay by check or money order (California residents need only supply proof of purchase and should call 1-800-726-0190 for shipping instructions).

NOTE: For added protection and secure handling of any Cuisinart® product that is being returned, we recommend you use a traceable, insured delivery service. Cuisinart cannot be held responsible for in-transit damage or for packages that are not delivered to us. Lost and/or damaged products are not covered under warranty. Please be sure to include your return address, daytime phone number, description of the product defect, product model number (located on bottom of product), original date of purchase, and any other information pertinent to the product's return.

Your Cuisinart® PowerEdge™ 1000-Watt Blender has been manufactured to the strictest specifications and has been designed for use with the authorized accessories and replacement parts.

This warranty expressly excludes any defects or damages caused by accessories, replacement parts, or repair service other than those that have been authorized by Cuisinart.

This warranty does not cover any damage caused by accident, misuse, shipment or other ordinary household use.

This warranty excludes all incidental or consequential damages. Some states do not allow the exclusion or limitation of these damages, so this limitation may not apply to you.

CALIFORNIA RESIDENTS ONLY:

California law provides that for In-Warranty Service, California residents have the option of returning a nonconforming product (A) to the store where it was purchased or (B) to another retail store that sells Cuisinart products of the same type.

The retail store shall then, at its discretion, either repair the product, refer the consumer to an independent repair facility, replace the product, or refund the purchase price less the amount directly attributable to the consumer's prior usage of the product. If the above two options do not result in the appropriate relief to the consumer, the consumer may then take the product to an independent repair facility if service or repair can be economically accomplished. Cuisinart and not the consumer will be responsible for the reasonable cost of such service, repair, replacement, or refund for nonconforming products under warranty.

California residents may also, according to their preference, return nonconforming products directly to Cuisinart for repair, or if necessary, replacement, by calling our Consumer Service Center toll-free at 1-800-726-0190.

Cuisinart will be responsible for the cost of the repair, replacement, and shipping and handling for such products under warranty.

BEFORE RETURNING YOUR CUISINART® PRODUCT

If you are experiencing problems with your Cuisinart® product, we suggest that you call our Cuisinart® Service Center at 1-800-726-0190 before returning the product to be serviced. If servicing is needed, a Representative can confirm whether the product is under warranty and direct you to the nearest service location.

Important: If the nonconforming product is to be serviced by someone other than Cuisinart's Authorized Service Center, please remind the servicer to call our Consumer Service Center at 1-800-726-0190 to ensure that the problem is properly diagnosed, the product is serviced with the correct parts, and the product is still under warranty.

Cuisinart®

SAVOR THE GOOD LIFE®



Coffeemakers



Food Processors



Toaster Ovens



Stand Mixers



Hand Blenders



Ice Cream Makers

Cuisinart offers an extensive assortment of top quality products to make life in the kitchen easier than ever. Try some of our other countertop appliances and cookware, and Savor the Good Life®.

www.cuisinart.com

©2010 Cuisinart
150 Milford Road
East Windsor, NJ 08520
Printed in China

10CE114304

IB-8534B

Any trademarks or service marks of third parties referred to herein are the trademarks or service marks of their respective owners.

Free Manuals Download Website

<http://myh66.com>

<http://usermanuals.us>

<http://www.somanuals.com>

<http://www.4manuals.cc>

<http://www.manual-lib.com>

<http://www.404manual.com>

<http://www.luxmanual.com>

<http://aubethermostatmanual.com>

Golf course search by state

<http://golfingnear.com>

Email search by domain

<http://emailbydomain.com>

Auto manuals search

<http://auto.somanuals.com>

TV manuals search

<http://tv.somanuals.com>