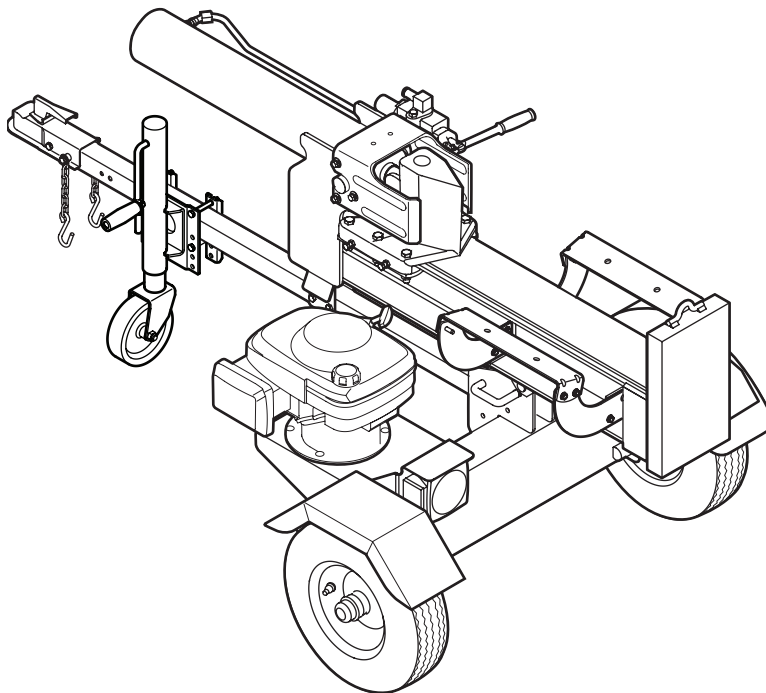

Cub Cadet.

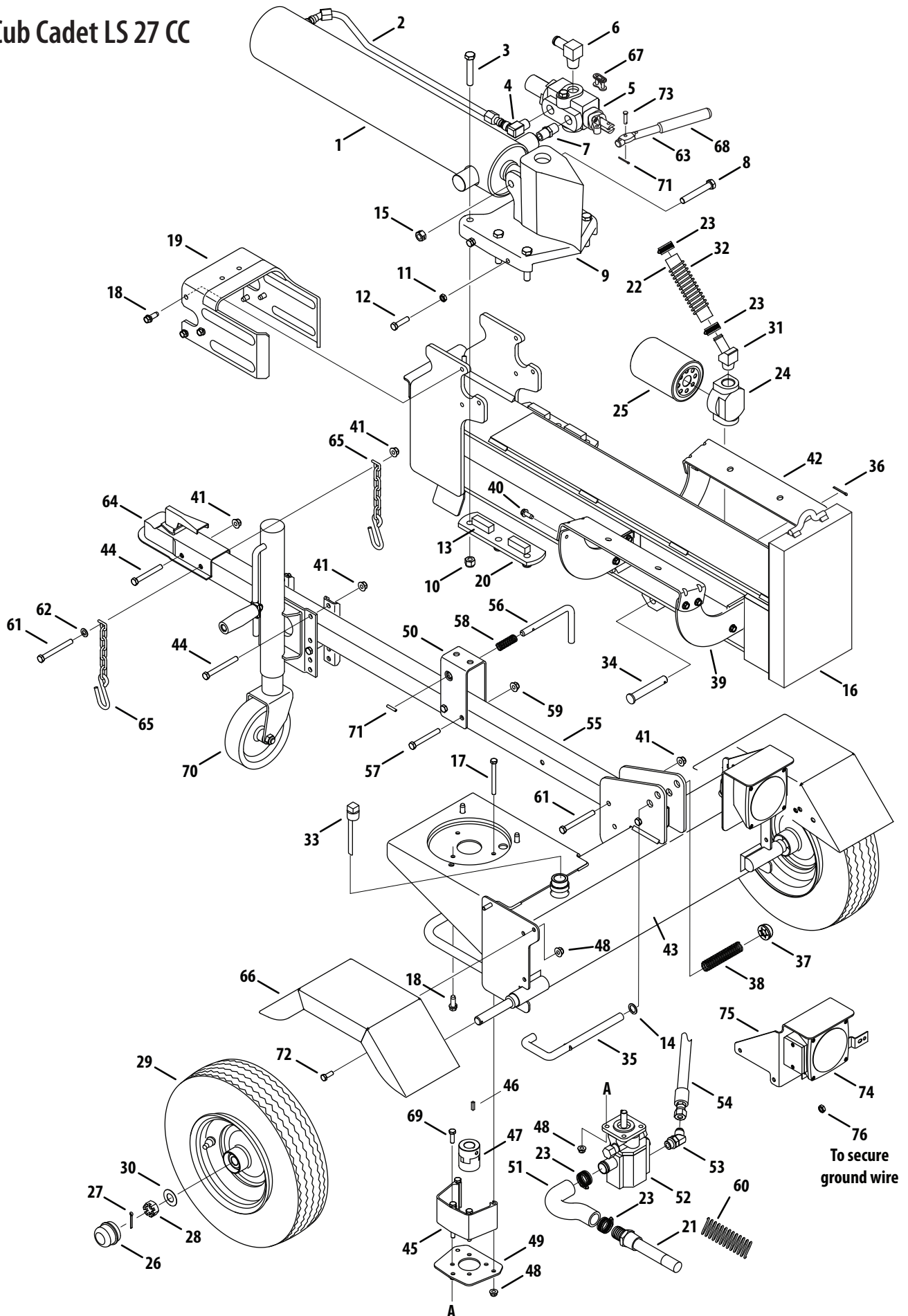
ILLUSTRATED PARTS MANUAL



Log Splitter — LS 27 CC

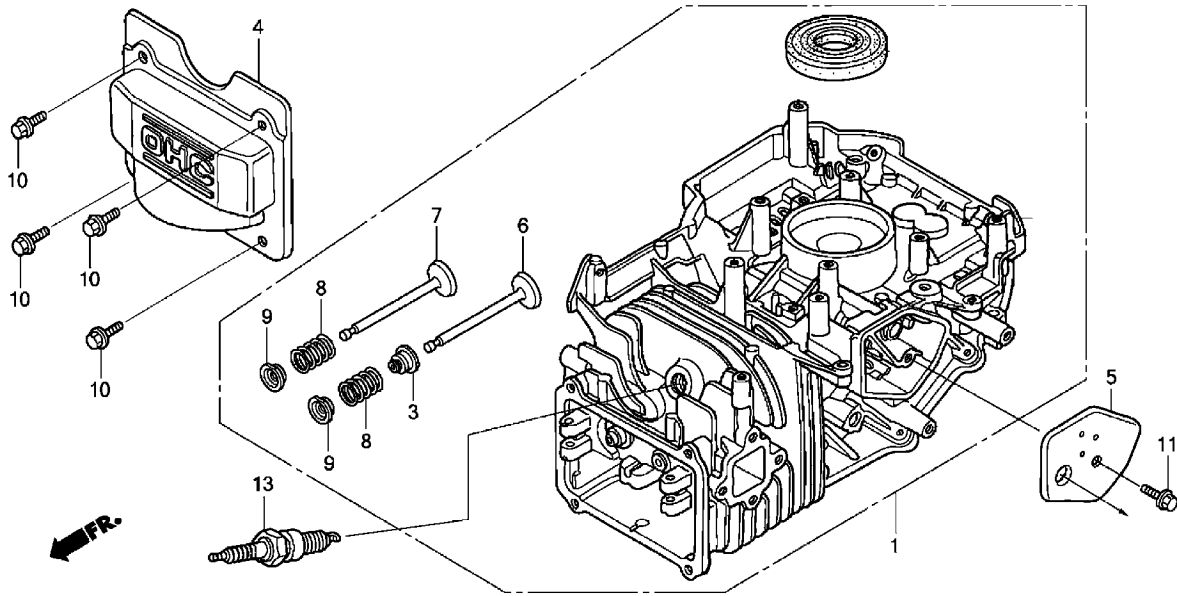
CUB CADET LLC, P.O. BOX 361131 CLEVELAND, OHIO 44136-0019

Cub Cadet LS 27 CC

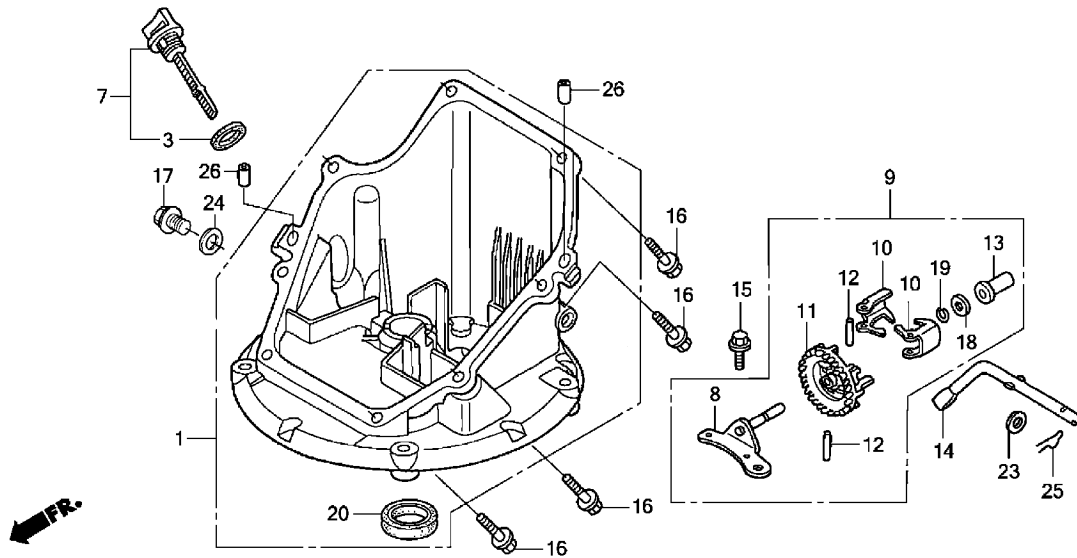


Ref.	Part Number	Description	Ref.	Part Number	Description
1	718-0769A	Hydraulic Cylinder	40	710-0650	TT Screw, 5/16-18 x.875
2	727-04166	Hydraulic Tube	41	712-04065	Flange Lock Nut, 3/8-16
3	710-1018	Hex Cap Screw 1/2-20 x 2.75	42	781-04179	Log Tray
4	737-0192	90 Degree Solid Adapter	43	681-04040A	Frame Assembly
5	718-0481A	Control Valve	44	710-0521	Hex Bolt 3/8-16 x 3"
6	737-0153	Return Elbow	45	719-0353	Coupling Shield
7	737-0238	Nipple Pipe 1/2-14	46	714-0122	Square Key 3/16" x.75
8	710-1806	Hex Cap Screw 1/2-13 x 3.25	47	718-04145	Flexible Coupling
9	719-0550A	Wedge Assembly	48	712-04063	Flange Lock Nut, 5/16-18
10	712-3058	Hex Lock Nut, 1/2-20	49	781-0097	Rear Coupling Support Bracket
11	712-0711	Hex Jam Nut 3/8-24	50	781-1045	Beam Support
12	710-0459A	Hex Cap Screw 3/8-24 x 1.5	51	727-04130	Hose
13	781-0351	Adjustable Gib	52	718-04127	Gear Pump
14	736-0116	Flat Washer.635 x.93 x.06	53	737-0329	45 Degree Elbow Fitting
15	712-3022	Hex Lock Nut 1/2-13	54	727-0502	High Pressure Hydraulic Hose
16	681-04071A	Beam Assembly	55	781-0788	Tongue Assembly
17	710-3056	Hex Screw, 5/16-18 x 3.25	56	747-1261	Latch Rod
18	710-0654A	Hex Washer Screw 3/8-16 x 1.0	57	710-0521	Hex Head Screw, 3/8-16 x 3
19	781-1048A	Dislodger Bracket	58	732-3127	Compression Spring
20	781-0790	Back Plate	59	710-04065	Flange Lock Nut, 3/8-16
21	737-04093	Inlet Filter	60	781-0538A	Hose Guard
22	727-0443	Return Hose 3/4" ID x 44" Lg.	61	710-3085	Hex Cap Screw, 3/8-16 x 3.50
23	726-0132	Hose Clamp 5/8"	62	736-0185	Flat Washer,.375 x.738 x.063
24	737-0316	Filter Housing	63	747-04539	Hydraulic Valve Control
25	723-0405	Oil Filter	64	681-04030	Hitch Coupling Assembly
26	734-0873	Hub Cap	65	713-0433A	Chain
27	714-0162	Cotter Pin	66	781-04002	Fender
28	712-0359	Slotted Nut 3/4-16	67	713-04036	Valve Handle Link
29	634-0187	Wheel Assembly	68	720-04088	Grip
30	736-0351	Flat Washer.760 ID x.500 OD	69	710-0376	Hex Screw, 5/16-18 x 1.00
31	737-0312	Adapter 3/4-14	70	681-04029	Adjustable Assembly Stand
32	781-0526A	Hose Guard	71	715-0120	Spirol Pin
33	737-0348A	Vented Dipstick	72	710-0650	TT Screw, 5/16-18 x 0.875"
34	711-1587	Clevis Pin	73	711-04585	Clevis Pin
35	781-0690	Lock Rod	74	625-0062	Light Kit
36	714-0470	Cotter Pin	75	681-0164	Light Bracket - LH
37	726-0214	Push Cap		781-1027A	Light Bracket - RH
38	732-0583	Compression Spring	76	712-3008	Jam Nut, 3/8-16
39	781-04180	Log Tray Bracket			

Cub Cadet LS 27 CC (Honda GCV160LA)



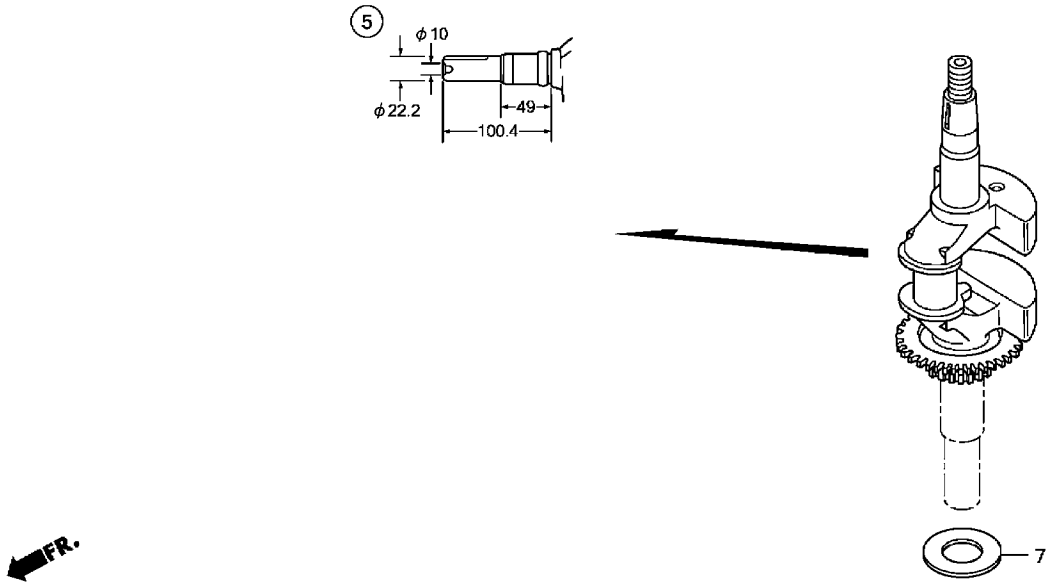
Ref.	Part Number	Description
1	12000-ZL8-425	Cylinder Assy.
3	12209-ZM0-003	Seal, Valve Stem
4	12311-ZL8-D00	See Part Details - Pri; Cover, Head
4	12311-ZL8-000	See Part Details - Sup; Cover, Head
5	12355-ZL8-000	Cover, Breather
6	14711-Z0J-000	Pri; Valve, In. (Rocknel)
7	14721-ZL8-000	Valve, Ex.
8	14751-ZL8-000	Spring, Valve
9	14771-Z0J-000	Retainer, Valve Spring
10	90013-883-000	Bolt, Flange (6x12) (Ct200)
11	90014-952-000	Bolt, Flange (6x14) (Ct200)
12	91201-ZL8-003	Oil Seal (25.4x62x6)
13	98079-56846	Spark Plug (Bpr6es) (NGK)



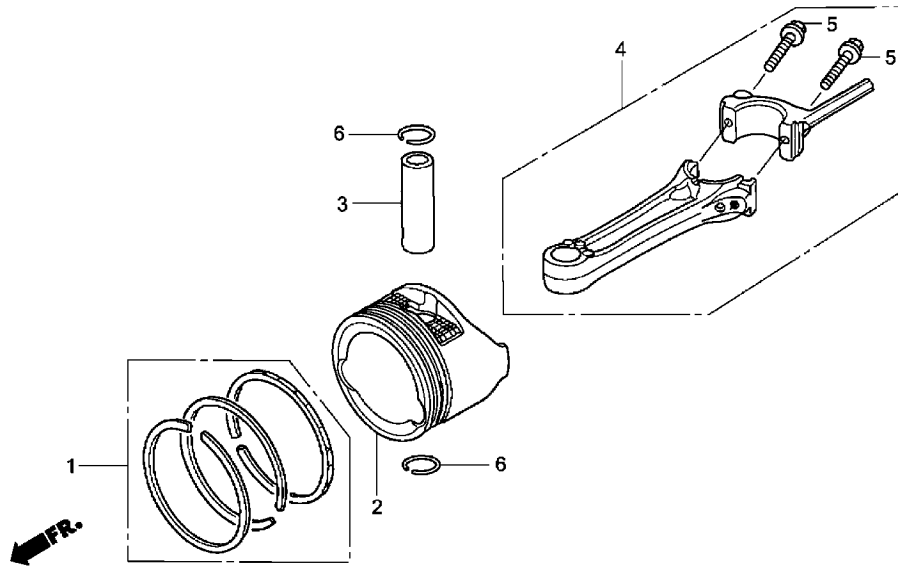
Ref.	Part Number	Description
1	11300-Z0L-821	Pan Assy., Oil (Sae)
3	15625-Z2L-801	Gasket, Oil Filler Cap
7	15650-Z0L-000	Gauge Assy., Oil Level
8	16508-ZM0-010	Pri; Shaft, Governor Holder
9	16510-ZM0-010	Pri; Governor Assy.
10	16511-ZL8-000	Weight, Governor
11	16512-ZM0-000	Holder, Governor Weight
12	16513-ZE1-000	Pin, Governor Weight
13	16531-ZE1-000	Slider, Governor
14	16541-ZM0-000	Shaft, Governor Arm
15	90014-952-000	Bolt, Flange (6x14) (Ct200)

Ref.	Part Number	Description
16	90121-952-000	Bolt, Flange (6x25) (Ct200)
17	90131-883-000	Sup; Bolt, Drain Plug (12x15)
17	90131-896-650	Pri; Bolt, Drain Plug
18	90451-ZE1-000	Washer, Thrust (6mm)
19	90602-ZE1-000	Pri; Clip, Governor Holder
20	91202-ZM0-V31	Oil Seal (28x41.25x6)
23	94101-06800	Washer, Plain (6mm)
24	94109-12000	Washer, Drain Plug (12mm)
25	94251-08000	Pin, Lock (8mm)
26	94301-08200	Pin, Dowel (8x20)

Cub Cadet LS 27 CC (Honda GCV160LA)

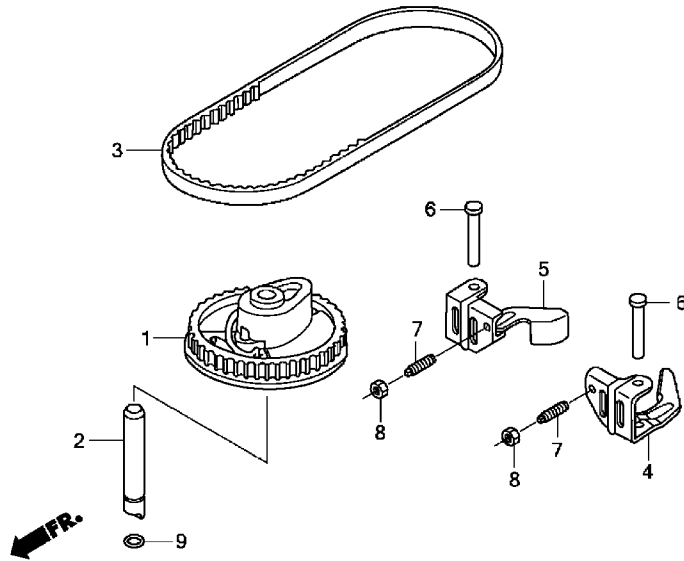


Ref.	Part Number	Description
5	13310-Z0L-650	Crankshaft
7	90402-ZL8-000	Washer, Thrust

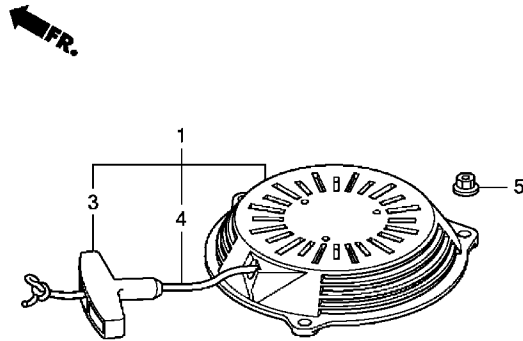


Ref.	Part Number	Description
1	13010-Z0L-014	Ring Set, Piston (Std). (Teikoku)
2	13101-Z2A-010	Piston
3	13111-ZE0-000	Pin, Piston
4	13200-Z0J-000	Rod Assy., Connecting.
5	90001-ZE1-000	Bolt, Connecting Rod.
6	90551-ZE0-000	Clip, Piston Pin (13mm)

Cub Cadet LS 27 CC (Honda GCV160LA)

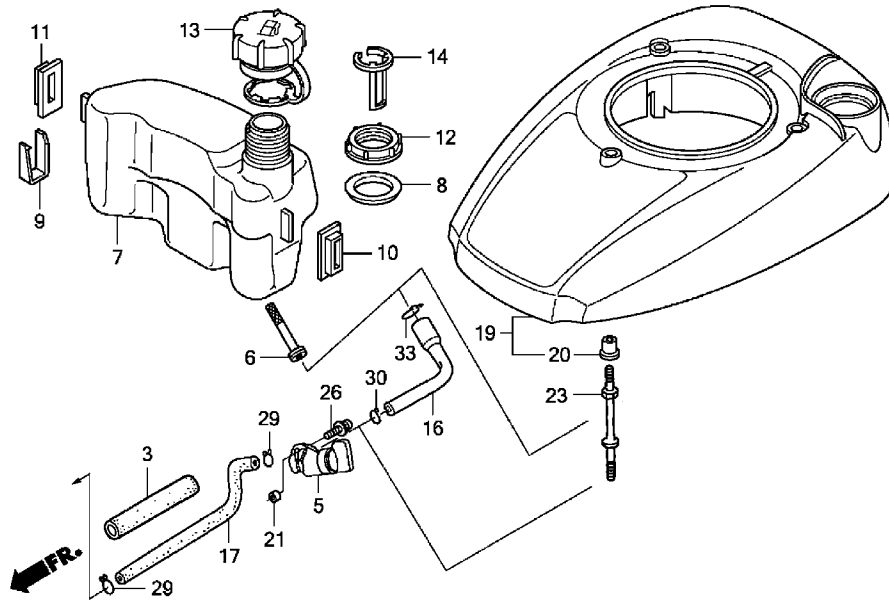


Ref.	Part Number	Description
1	14320-ZL8-010	Pulley, Camshaft.
2	14324-ZL8-000	Shaft, Cam Pulley
3	14400-Z0J-014	Belt, Timing (84hu7 G-200)
4	14431-Z0J-000	Arm, In. Valve Rocker
5	14441-Z0J-000	Pri; Arm, Ex. Valve Rocker
6	14461-ZL8-000	Shaft, Rocker Arm
7	90012-333-000	Screw, Tappet Adjusting
8	90206-001-000	Nut, Tappet Adjusting.
9	91301-ZM0-V31	O-ring (6.8x1.9) (Arai).



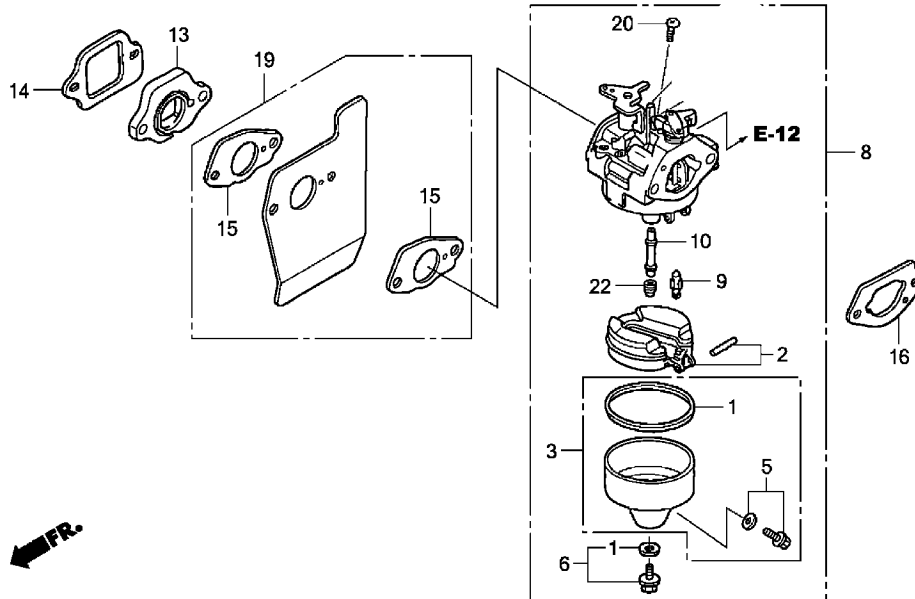
Ref.	Part Number	Description
1	28400-ZL8-023ZA	Pri; Starter Assy., Recoil *nh1*
3	28461-ZL8-003	Grip, Starter.
4	28462-ZL8-003	Rope, Recoil Starter.
5	90201-ZM0-000	Nut, Flange (6mm).

Cub Cadet LS 27 CC (Honda GCV160LA)



Ref.	Part Number	Description
3	16854-ZH8-000	Rubber, Supporter (107mm)
5	16950-ZM0-003	Petcock Assy.
6	16952-ZA8-800	Filter, Fuel
7	17511-Z0L-000	Tank, Fuel
8	17514-Z0L-000	Seal, Fuel Filler Neck
9	17516-Z0L-000	Clip, Tank Mounting.
10	17532-Z0L-000	Rubber A, Tank Mounting
11	17533-Z0L-000	Rubber B, Tank Mounting
12	17534-Z0L-000	Nut, Tank Mounting
13	17620-Z0J-800	Cap Assy., Fuel Tank.
14	17636-Z0L-000	Gauge, Fuel Level

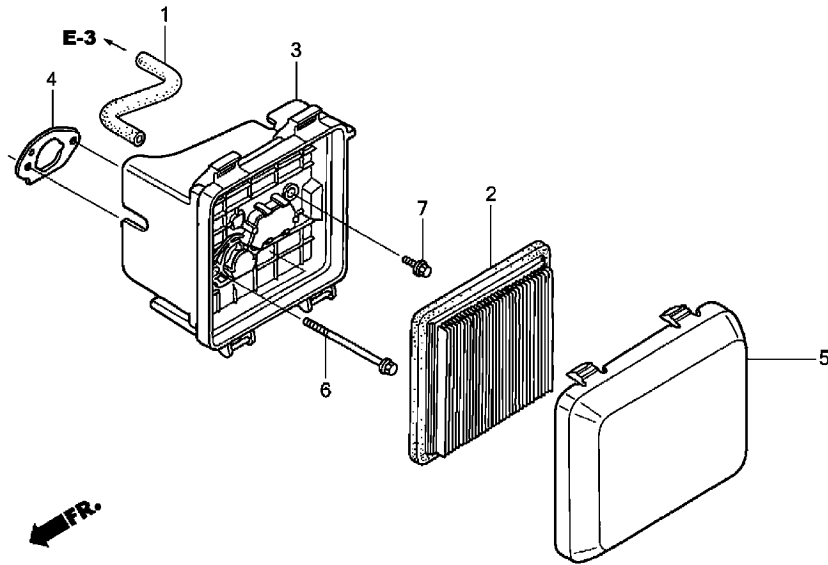
Ref.	Part Number	Description
16	17701-Z0L-810	Tube, Fuel Tank
17	17702-ZM0-800	Tube, Fuel
19	19610-Z0L-850ZA	Cover, Fan *nh1* (Black)
20	19619-ZL8-300	Collar, Fan Cover
21	91501-Z0L-800	Collar, Fuel Petcock
23	90043-ZL8-000	Bolt, Stud (H=42.5mm)
26	93891-05010-08	Screw-washer (5x10)
29	95002-02080	Clip, Tube (B8)
30	95002-02100	Clip, Tube (B10)
33	95002-70000	Clip, Tube (C11)



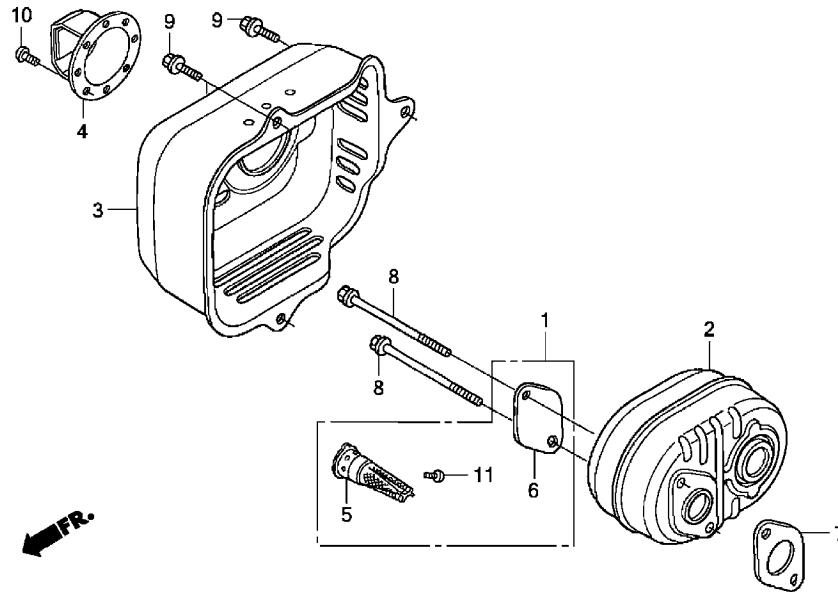
Ref.	Part Number	Description
1	16010-883-015	Gasket Set.
2	16013-ZL1-003	Float Set
3	16015-887-782	Chamber Set, Float
5	16024-ZE1-811	Screw Set, Drain
6	16028-ZE0-005	Screw Set
8	16100-Z0L-861	Carburetor Assy..
9	16155-ZM0-013	Valve, Float
10	16166-ZM0-003	Nozzle, Main
13	16211-ZL8-000	Insulator, Carburetor

Ref.	Part Number	Description
14	16212-ZL8-000	Gasket, Insulator
15	16221-883-800	Gasket, Carburetor
16	16228-ZL8-000	Gasket, Carburetor
19	19650-ZM0-000	Guide, Air
20	93500-05006-0H	Screw, Pan (5x6)
22	99101-124-0600	Jet, Main (#60)
22	99101-124-0620	Jet, Main (#62)
22	99101-124-0650	Jet, Main (#65)

Cub Cadet LS 27 CC (Honda GCV160LA)

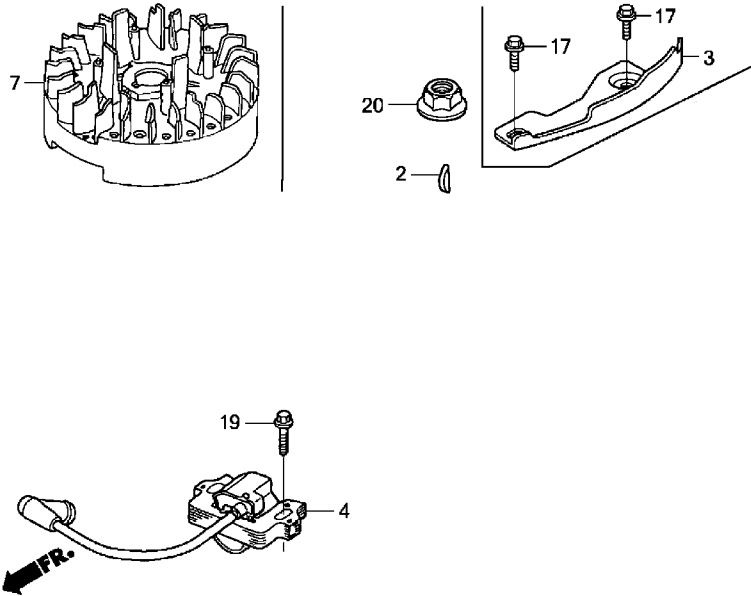


Ref.	Part Number	Description
1	15721-ZM0-000	Tube, Breather
2	17211-ZL8-023	Pri; Element, Air Cleaner
3	17220-ZM0-000	Case Assy., Air Cleaner
4	17228-ZM0-000	Gasket, Air Cleaner
5	17231-Z0L-030	Pri; Cover, Air Cleaner
6	90003-ZM0-000	Bolt, Flange (6x86) (Ct200)
7	95701-06014-08	Bolt, Flange (6x14)

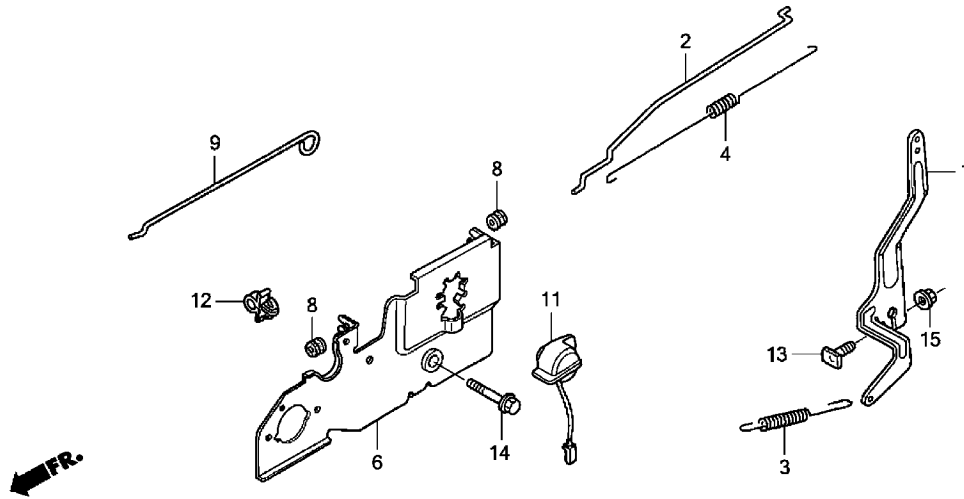


Ref.	Part Number	Description
1	06180-Z0J-000	Arrester Kit, Spark
2	18310-ZM0-000	Muffler.
3	18321-Z0L-000	Protector, Muffler
4	18348-Z0L-000	Cap, Muffler
5	18350-ZL8-000	Arrester, Spark
6	18356-ZL8-000	Plate, Arrester Number
7	18381-ZL8-305	Gasket, Muffler
8	90004-ZL8-000	Bolt, Flange (6x79) (Ct200)
9	90013-883-000	Bolt, Flange (6x12) (Ct200)
10	90055-ZE1-000	Screw, Tapping (4x6)
11	90055-ZE1-000	Screw, Tapping (4x6)

Cub Cadet LS 27 CC (Honda GCV160LA)

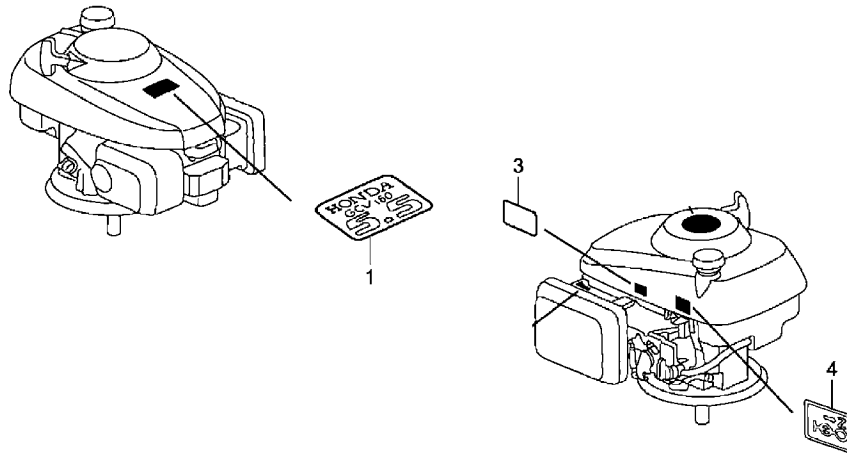


Ref.	Part Number	Description
2	13331-357-000	Key, Special Woodruff
3	19612-Z0L-000	Plate, Side
4	30500-Z0J-003	Coil Assy., Ignition (Phelon)
7	31110-Z0J-013	Flywheel Comp. (Phelon)
17	90013-883-000	Bolt, Flange (6x12) (Ct200)
19	90022-888-010	Bolt, Flange (6x20) (Ct200)
20	90201-878-003	Pri; Nut, Special (14mm)



Ref.	Part Number	Description
1	16551-ZM0-010	Arm, Governor
2	16555-Z0L-800	Rod, Governor
3	16561-ZM0-V30	Spring, Governor
4	16562-ZM0-000	Spring, Throttle Return
6	16580-Z0L-800	Base, Control
8	16613-893-000	Grommet, Choke Rod
9	16674-Z0L-800	Rod, Choke
11	35120-Z0L-801	Switch Assy., Engine Stop
12	51125-Z0L-003	Holder, Wire
12	90681-959-003	Clip A, Cable (Nifco)
13	90015-ZE5-010	Bolt, Governor Arm
14	90016-ZE8-000	Bolt, Flange (6x45)
15	94050-06000	Nut, Flange (6mm)

Cub Cadet LS 27 CC (Honda GCV160LA)



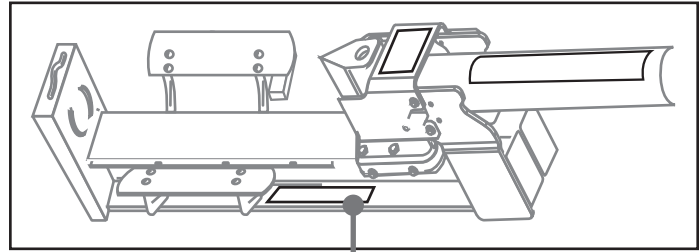
Ref.	Part Number	Description
1	87101-ZM0-010	Pri; Emblem (Gcv160 5.5)
3	87114-ZH7-821	Label, Warning
4	87528-ZL8-000	Mark, Choke

777D09480

27 TON COMMERCIAL GRADE LOG SPLITTER

• HORIZONTAL/VERTICAL OPERATION
• CAST IRON WEDGE
• DIAMOND PLATE FENDERS

• LIGHT KIT
• WHEELED JACK STAND
• COIL-WRAPPED HOSES



777S32605

<p>VERTICAL Vertical Position Lock</p>	<p>HORIZONTAL Horizontal Position Lock</p>	<p>OPERATOR'S INSTRUCTIONS</p> <ol style="list-style-type: none"> 1. Place log splitter to be split and ground. 2. Lock beam in horizontal or vertical position. 3. Place log on wedge. 4. Push log against the wedge. 5. Release the log by pulling the wedge. 6. Do not push either handle to log until space has opened. <p>BE CAREFUL! NEVER use the splitting beam. The beam can move back to its original position.</p>	<p>! DANGER</p> <p>KEEP HANDS AND FEET AWAY FROM MOVING PARTS.</p> <p>LOG DISLODGER</p> <p>BE CAREFUL! NEVER use the splitting beam. The beam can move back to its original position.</p>
---	---	--	--

777S32597

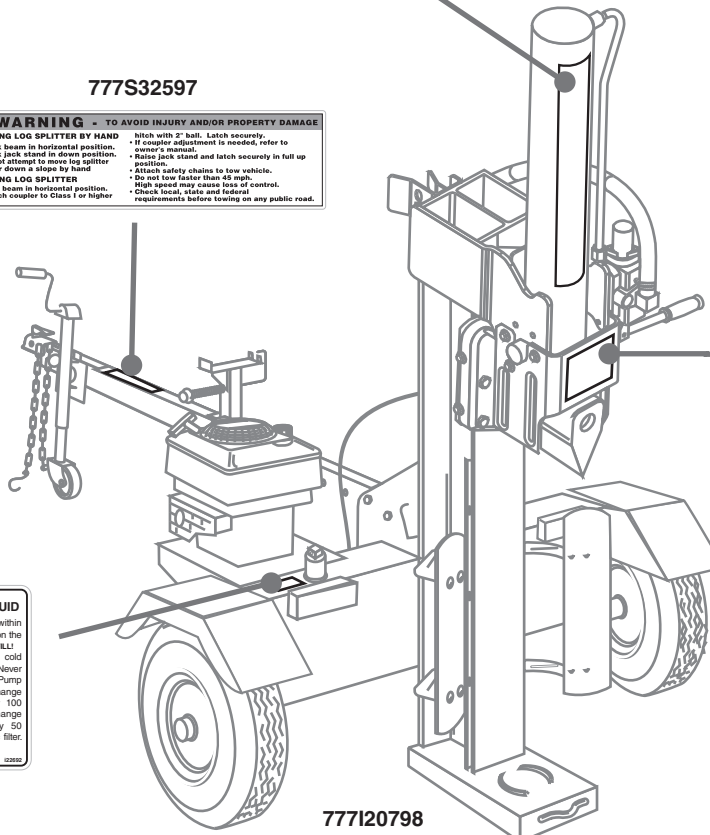
! WARNING - TO AVOID INJURY AND/OR PROPERTY DAMAGE

MOVING LOG SPLITTER BY HAND

- Lock beam in horizontal position.
- Lock jack stand in down position.
- Do not attempt to move log splitter up or down a slope by hand.

TOWING LOG SPLITTER

- Lock beam in horizontal position.
- Attach coupler to Class I or higher hitch with 2" ball. Latch securely.
- If coupler adjustment is needed, refer to owner's manual.
- Raise jack stand and latch securely in full up position.
- Attach safety chains to tow vehicle.
- Do not tow faster than 45 mph.
- High speed may cause loss of control.
- Check local, state and federal requirements before towing on any public road.



777S32061

! WARNING

BEFORE STABILIZING LOG ON SPLITTER MUST BE SAME PERSON WHO OPERATES CONTROL VALVE.

KEEP HANDS AWAY FROM WEDGE AND MOVING PARTS.

! DANGER

KEEP HANDS AND FEET AWAY

CONTROL VALVE

- REVERSE ↑
- NEUTRAL
- FORWARD ↓

LOG DISLODGER

BE CAREFUL! NEVER use the splitting beam. The beam can move back to its original position.

LUBRICATE BEAM BEFORE EACH USE. REFER TO OPERATOR'S MANUAL FOR DETAILS.

532861 AC

777I22692

HYDRAULIC FLUID

Maintain fluid level within the range specified on the dipstick. DO NOT OVERFILL! Check when fluid is cold and with unit level. Never run below this level. Pump will be ruined. Change hydraulic fluid every 100 hours of use. Change hydraulic filter every 50 hours of use. Use only a 10 micron hydraulic filter.

Order Part Number Hydraulic Filter 723-0405 02292

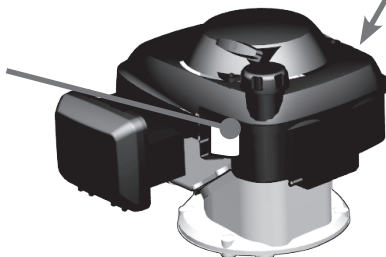
777I20798

USE SAE
10W30 OIL

777I22037

Fuel Valve

122037



777I20349

DO NOT STEP

120349



To order replacement parts, call a Customer Support Representative at (800) 965-4CUB.
Locate your nearest Cub Cadet dealer at (877) 282-8684
or visit www.cubcadet.com to find the nearest Cub Cadet dealer in your area.

CUB CADET LLC, P.O. BOX 361131 CLEVELAND, OHIO 44136-0019

Free Manuals Download Website

<http://myh66.com>

<http://usermanuals.us>

<http://www.somanuals.com>

<http://www.4manuals.cc>

<http://www.manual-lib.com>

<http://www.404manual.com>

<http://www.luxmanual.com>

<http://aubethermostatmanual.com>

Golf course search by state

<http://golfingnear.com>

Email search by domain

<http://emailbydomain.com>

Auto manuals search

<http://auto.somanuals.com>

TV manuals search

<http://tv.somanuals.com>