

## DESCRIPTION

Classic nautical style lampholders available in white and antique brass finishes. All lampholders feature a hinged front bell that opens for relamping and secures with a thumbscrew. For use with Halo and Lazer-by-Halo track systems.

Catalog #	Type
Project	
Comments	
Prepared by	Date

## SPECIFICATION FEATURES

### A...Electrical Quick Lock Adapter

Polycarbonate casing. Attaches electrically and mechanically anywhere along Power-Trac. Visual polarity line assures proper grounding. Two position conductor allows use in single circuit and either circuit of two circuit track.

### B...Yoke

Matching finish yoke allows lampholder to rotate 338° and adjust vertically from 0° to 90°.

### C... Body

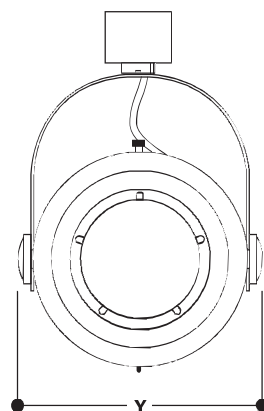
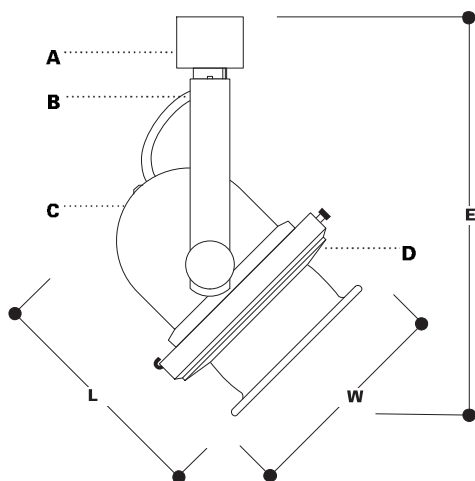
Classic nautical style lampholder body in white and antique brass.

### D... Front Bell

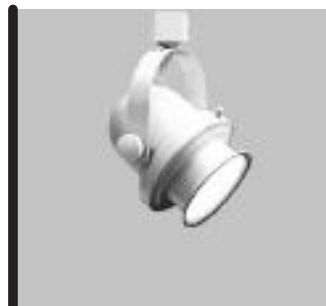
Front bell hinges down for relamping and secures with thumbscrew

### Listings

UL listed and CSA certified for use with Halo and Lazer-by-Halo track and track systems.



L1510 shown in illustration



**L1510**



**L1511**

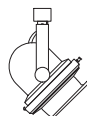
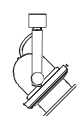


**L1512**

## ORDERING INFORMATION

SAMPLE NUMBER: L1510P

Lampholders	Finishes
L1510 L1511 L1512	P=Satin White AB=Antique Brass



### L1510

For use with:  
40W R16 (Halo Z9),  
30/50W R20,  
60W PAR16

L = 5 1/8" [130mm]  
W = 4 3/4" [121mm]  
E = 7 1/2" [191mm]  
Y = 5 1/4" [130mm]

### L1511

For use with:  
75W R30,  
100W BR25 (Halo Z10)

L = 6 1/4" [159mm]  
W = 6 1/4" [159mm]  
E = 8 3/4" [222mm]  
Y = 6 3/4" [172mm]

### L1512

For use with:  
150W R40,  
150W PAR38

L = 7 1/2" [191mm]  
W = 7 7/8" [200mm]  
E = 10 1/4" [261mm]  
Y = 8 3/8" [213mm]

**LINE VOLTAGE  
CLASSIC STYLE  
LAMP HOLDERS**

**Power-Trac®**

ADV023214  
Supersedes ADV990325

Note: Specifications and Dimensions subject to change without notice.

Visit our web site at [www.cooperlighting.com](http://www.cooperlighting.com)

## Free Manuals Download Website

<http://myh66.com>

<http://usermanuals.us>

<http://www.somanuals.com>

<http://www.4manuals.cc>

<http://www.manual-lib.com>

<http://www.404manual.com>

<http://www.luxmanual.com>

<http://aubethermostatmanual.com>

Golf course search by state

<http://golfingnear.com>

Email search by domain

<http://emailbydomain.com>

Auto manuals search

<http://auto.somanuals.com>

TV manuals search

<http://tv.somanuals.com>