



## **IMPACT FLOODLIGHT**

Architectural Flood Luminaire



# IMPACT FLOODLIGHT

## Architectural Flood Luminaire

### CLASSIC FORM + CONTEMPORARY FEATURES

Appealing round-back form combined with innovative design features make the Impact Flood series a best in class choice for commercial floodlighting applications. Compact Fluorescent sources, light control accessories and photocontrol availability provide energy efficient options and Dark Sky Friendly solutions. For applications with emergency egress requirements, quartz restrike rounds out the Impact Flood series extensive offering of options and accessories.

### LAMP + OPTICAL VERSATILITY

Offered in two (2) housing sizes, the Impact Flood series is available with a variety of HID and Compact Fluorescent lamp sources. The medium housing features 175-400W MH, 150-400W HPS and 57-70W high output Compact Fluorescent lamp sources. The small housing features 50-175W MH, 50-150W HPS and 26-42W Compact Fluorescent lamp sources. The choice of vertical or horizontal lamp orientation allows for added design flexibility, while premium grade reflective sheet aluminum ensures high efficiency optical systems. Combined with a full compliment of light control accessories, the Impact Flood series emerges as the ideal solution for any floodlighting application.

### HEAVY-DUTY CONSTRUCTION

Thick wall die-cast construction of housing, door and knuckle make the Impact Flood ready to withstand anything Mother Nature can dish out. An impressive 3G vibration rating guarantees stability of aiming and strength of mounting in any configuration. An IP65 ingress protection rating ensures Impact Flood will be protected against the entry of contaminants and moisture, maximizing performance of fixture and lifetime of electrical components.



<<< **MS Impact Flood Small**  
[Shown with "MS/JB" Architectural J-Box]



<<< MM Impact Flood Medium

# ***IMPACT***<sup>™</sup>

## **HOUSING**

Rugged one-piece die-cast aluminum housing will endure the toughest environments while maintaining precise tolerance control. Housing incorporates a one-piece extruded silicone gasket that seals the optical/electrical compartment from external moisture and contaminants, achieving an exceptional IP65 rating.

## **DOOR**

Die-cast aluminum door features integral hinging and recessed tamper resistant stainless steel allen head fasteners. Door frame features an integral accessory channel for the mounting of a wide array of optional vandal and light control accessories. The door lens is 0.2" thick, impact resistant, clear flat tempered glass sealed to the door with a one-piece silicone gasket.

## **OPTICAL ASSEMBLY**

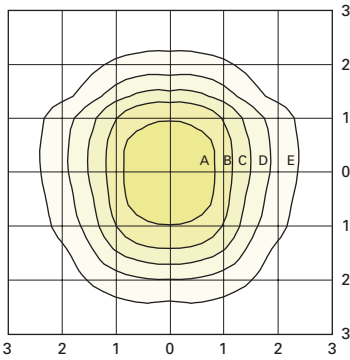
Available in horizontal or vertical lamp orientations, high efficiency optical systems are formed from premium reflective sheet aluminum. Medium housing optics feature mogul-base lampholders while small housing optics feature medium-base lampholders.

## **MOUNTING**

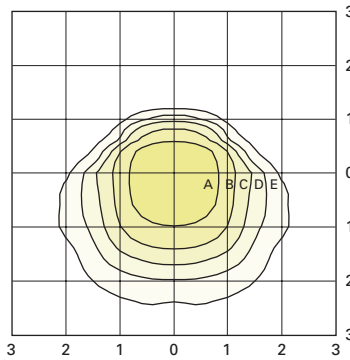
Heavy-duty die-cast aluminum knuckle utilizes tooth-lock adjustment mechanism for both solid engagement and easy aiming adjustment. Knuckle adjustment is made via one (1) captive stainless steel allen head fastener consistent with door frame fasteners. Knuckle tested to safely sustain 3G of vibration. The medium housing knuckle slip-fits over a standard 2" pipe (2 3/8" O.D.) tenon while the small housing knuckle features a 3/4" NPT nipple for rigid attachment to available mounting accessories. Optional heavy-gauge adjustable steel trunnion mount provides additional durability when required (available on "MS" only).

## **FINISH**

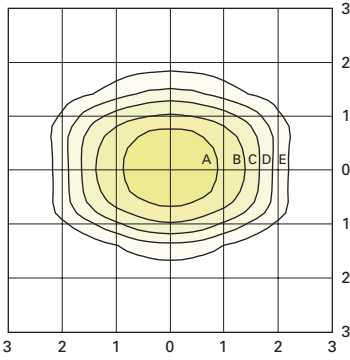
Housing, door and mounting finished in a 5 stage premium TGIC polyester powder coat paint, 2.5 mil nominal thickness for superior protection against fade and wear. Standard color is bronze. Optional black, white, and grey finishes are available.



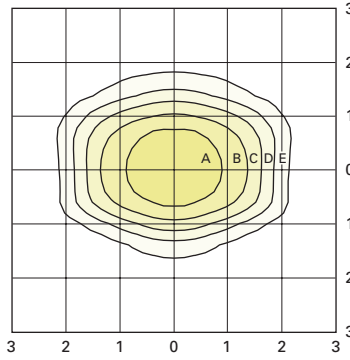
**MHMSHF17.IES**  
175-Watt MH  
14,000-Lumen Clear ED-17 Lamp  
Horizontal Flood



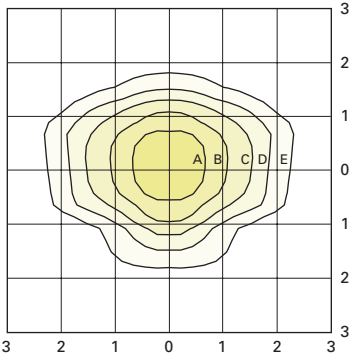
**MHMSHF17TV.IES**  
175-Watt MH  
14,000-Lumen Clear ED-17 Lamp  
Horizontal Flood with Top Visor



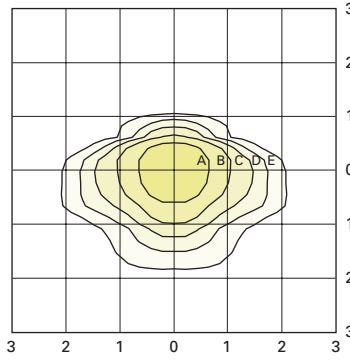
**MHMSVF17.IES**  
175-Watt MH  
14,000-Lumen Clear ED-17 Lamp  
Vertical Flood



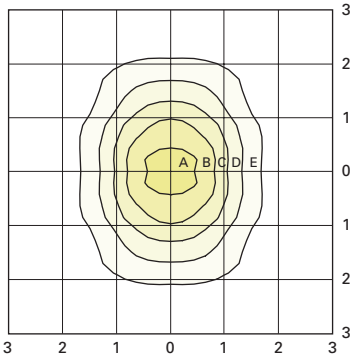
**HPMSVF15.IES**  
150-Watt HPS  
16,000-Lumen Clear ED-17 Lamp  
Vertical Flood



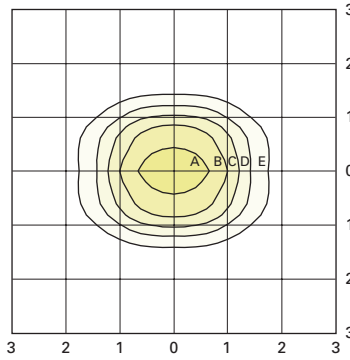
**MHMMVF40.IES**  
400-Watt MH  
36,000-Lumen Clear ED-28 Lamp  
Vertical Flood



**MHMMVF40TV.IES**  
400-Watt MH  
36,000-Lumen Clear ED-28 Lamp  
Vertical Flood with Top Visor



**MHMMHF40.IES**  
400-Watt MH  
36,000-Lumen Clear ED-28 Lamp  
Horizontal Flood



**CFMMHF70.IES**  
70-Watt CF  
5,200-Lumen High Output Quadruple Biax Lamp  
Horizontal Flood

**FOOTCANDLE TABLE**

Select mounting height and read across for footcandle values of each isofootcandle line. Distance in units of mounting height.

Mounting Height	Footcandle Values for Isofootcandle Lines				
	A	B	C	D	E
<b>MHMSHF17.IES</b>					
10'	11.25	4.50	2.25	1.13	0.45
15'	5.00	2.00	1.00	0.50	0.20
20'	2.80	1.12	0.56	0.28	0.11
<b>MHMSHF17TV.IES</b>					
10'	11.25	4.50	2.25	1.13	0.45
15'	5.00	2.00	1.00	0.50	0.20
20'	2.80	1.12	0.56	0.28	0.11

**FOOTCANDLE TABLE**

Select mounting height and read across for footcandle values of each isofootcandle line. Distance in units of mounting height.

Mounting Height	Footcandle Values for Isofootcandle Lines				
	A	B	C	D	E
<b>MHMSVF17.IES</b>					
10'	11.25	4.50	2.25	1.13	0.45
15'	5.00	2.00	1.00	0.50	0.20
20'	2.80	1.12	0.56	0.28	0.11
<b>HPMSVF15.IES</b>					
10'	11.25	4.50	2.25	1.13	0.45
15'	5.00	2.00	1.00	0.50	0.20
20'	2.80	1.12	0.56	0.28	0.11

**FOOTCANDLE TABLE**

Select mounting height and read across for footcandle values of each isofootcandle line. Distance in units of mounting height.

Mounting Height	Footcandle Values for Isofootcandle Lines				
	A	B	C	D	E
<b>MHMMVF40.IES</b>					
25'	7.20	2.88	1.44	0.72	0.29
30'	5.00	2.00	1.00	0.50	0.20
35'	3.65	1.46	0.73	0.37	0.15
<b>MHMMVF40TV.IES</b>					
25'	7.20	2.88	1.44	0.72	0.29
30'	5.00	2.00	1.00	0.50	0.20
35'	3.65	1.46	0.73	0.37	0.15

**FOOTCANDLE TABLE**

Select mounting height and read across for footcandle values of each isofootcandle line. Distance in units of mounting height.

Mounting Height	Footcandle Values for Isofootcandle Lines				
	A	B	C	D	E
<b>MHMMHF40.IES</b>					
25'	7.20	2.88	1.44	0.72	0.29
30'	5.00	2.00	1.00	0.50	0.20
35'	3.65	1.46	0.73	0.37	0.15
<b>CFMMHF70.IES</b>					
10'	11.25	4.50	2.25	1.13	0.45
15'	5.00	2.00	1.00	0.50	0.20
20'	2.80	1.12	0.56	0.28	0.11

# PERFORMANCE + VERSATILITY

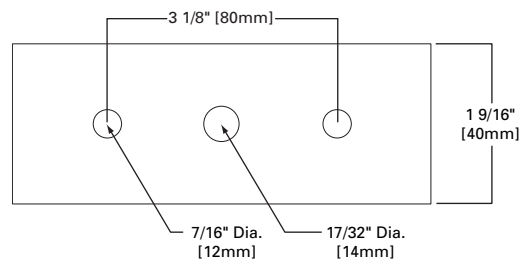
Ideal solution for any floodlighting application.



## <<<TRUNNION MOUNT [T]

Optional heavy-gauge adjustable steel trunnion mounting provides additional durability when required. Painted to match fixture.

## TRUNNION MOUNT DRILLING DIMENSIONS



## ACCESSORIES [Order Separately]



### CFL LAMP SOURCES

Extended life and energy-conserving solutions are provided with Compact Fluorescent lamp sources. MM available with 57-70W high output CFL and MS available with 26- 42W CFL.



### TOP VISOR [MS/TV + MM/TV]

The formed aluminum top visor mounts into the door's accessory channel providing a seamless transition to the luminaire while providing cutoff at 35°.



### FOUR SIDED SHIELD [MS/4V + MM/4V]

The formed aluminum four sided shield mounts into the door's accessory channel providing a seamless transition to the luminaire while controlling lamp glare from all four sides.



### BARN DOORS [MS/BD + MM/BD]

Extruded doors attached to a cast aluminum frame integral to the door's accessory channel. All doors move independent of each other, allowing for customization of glare control to the application.



### VANDAL SHIELD [MS/VS + MM/VS]

Easy to install vandal shield consisting of stainless steel mounting hardware and polycarbonate lens provides durable protection for glass from small projected objects.



### WIRE GUARD [MS/WG + MS/WG]

Easy to install wire guard consisting of a heavy-gauge welded construction with corrosion resistant polyester powder coating provides protection for glass from projected objects. Finished in silver.



### BUTTON PHOTOCONTROL [PE]

Factory installed optional button-style photocontrol provides timed fixture illumination for the energy conscious.



### QUARTZ RELAY [Q]

Auxiliary quartz socket mounted to optical assembly. Quartz lamp energizes upon power reactivation and extinguishes once HID lamp re-ignites.

# IMPACT FLOOD

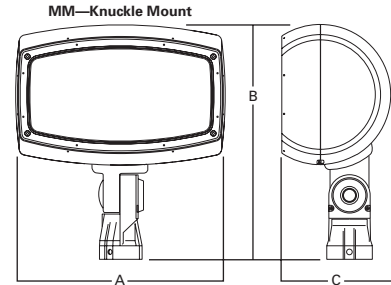
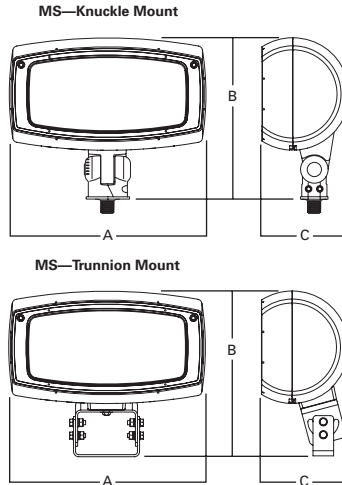
ARCHITECTURAL FLOOD LUMINAIRE

50/400W MH/MP/HPS  
26/70W CF



LUMARK®

IP65 RATING



Fixture		A	B	C
MS Impact Small	(in.)	15 1/8	13 7/8	6 11/16
	(mm)	385	352	171
MS Impact Small	(in.)	15 1/8	12 5/8	6 11/16
	(mm)	385	322	171
MM Impact Medium	(in.)	19 1/2	22	10
	(mm)	495	358	254

**HOUSING**

Rugged one-piece die-cast aluminum housing will endure the toughest environments while maintaining precise tolerance control. Housing incorporates a one-piece extruded silicone gasket that seals the optical/electrical compartment from external moisture and contaminants, achieving an exceptional IP65 rating.

**DOOR**

Die-cast aluminum door features integral hinging and recessed tamper resistant stainless steel allen head fasteners. Door frame features an integral accessory channel for the mounting of a wide array of optional vandal and light control accessories. The door lens is 0.2" thick, impact resistant, clear flat tempered glass sealed to the door with a one-piece silicone gasket.

**OPTICAL ASSEMBLY**

Available in horizontal or vertical lamp orientations, high efficiency optical systems are formed from premium reflective sheet aluminum. Medium housing optics feature mogul-base lampholders while small housing optics feature medium-base lampholders.

**MOUNTING**

Heavy-duty die-cast aluminum knuckle utilizes tooth-lock adjustment mechanism for both solid engagement and easy aiming adjustment. Knuckle adjustment is made via one (1) captive stainless steel allen head fastener consistent with door frame fasteners. Knuckle tested to safely sustain 3G of vibration. The medium housing knuckle slip-fits over a standard 2" pipe (2 3/8" O.D.) tenon while the small housing knuckle features a 3/4" NPT nipple for rigid attachment to available mounting accessories. Optional heavy-gauge adjustable steel trunnion mount provides additional durability when required (available on "MS" only).

**FINISH**

Housing, door and mounting finished in a 5 stage premium TGIC polyester powder coat paint, 2.5 mil nominal thickness for superior protection against fade and wear. Standard color is bronze. Optional black, white, and grey finishes are available.

**SHIPPING DATA**

Approximate Net Weight:  
25-40 lbs. (11-18 kgs.)

**ORDERING INFORMATION**

**SAMPLE NUMBER:** MHMM-K-HF-400-MT-LL

**LAMP TYPE**

MH=Metal Halide  
MP=Pulse Start Metal Halide<sup>1</sup>  
HP=High Pressure Sodium  
CF=Compact Fluorescent

**FIXTURE TYPE**

MS=Impact Flood Small  
MM=Impact Flood Medium

**MOUNTING**

K=Knuckle  
T=Trunnion<sup>2</sup>

**DISTRIBUTION**

HF=Horizontal Flood  
VF=Vertical Flood

**LAMP WATTAGE**

**HID<sup>3</sup>**  
50=50W<sup>2</sup>  
70=70W<sup>2</sup>  
100=100W<sup>2</sup>  
150=150W  
175=175W  
250=250W<sup>1</sup>  
320=320W<sup>1,4</sup>  
350=350W<sup>1,4</sup>  
400=400W<sup>1</sup>  
**Compact Fluorescent**  
26/32/42=26, 32, or 42W<sup>2</sup>  
57=57W<sup>1</sup>  
70=70W<sup>1</sup>

**VOLTAGE<sup>5</sup>**

120V  
208V  
240V  
277V  
347V  
480V  
MT=Multi-Tap (120/208/240/277V)<sup>6</sup>  
TT=Triple-Tap (120/277/347V)<sup>6</sup>  
DT=Dual-Tap (120/277V)<sup>6</sup>  
UNV=120-277V Electronic Ballast<sup>7</sup>

**OPTIONS + ACCESSORIES**  
(See Below)

**OPTIONS + ACCESSORIES** [Must be listed in the order shown and separated by a dash]

**OPTIONS** (add as suffix)

Q=Quartz Relay (DC Bayonet Base)  
EM/SC=Quartz Emergency Cold Start Time Delay Relay  
EM/SC=Quartz Emergency Separate Circuit  
F=Single Fuse (120, 277 or 347V. Specify Voltage)  
FF=Double Fuse (208, 240 or 480V. Specify Voltage)  
PE=Button Photocontrol (Specify Voltage)  
WH=White  
BK=Black  
AP=Grey  
LL=Lamp Included (Must Specify Wattage with Fluorescent)

**ACCESSORIES** (order separately/replace XX with color designation)

**MS Impact Small**  
MS/VS=Vandal Shield  
MS/TV-XX=Top Visor (EPA .51)  
MS/4V-XX=Four Sided Shield (EPA .87)  
MS/BD-XX=Barn Doors (EPA 1.03)  
MS/WG=Wire Guard  
MS/JB-XX=Architectural J-Box  
MS/SF-XX=Slipfitter (EPA .06)  
MS/TMA-XX=Twin Mount Arm (EPA .35)  
MS/WMA-XX=Wall Mount Arm (EPA .22)  
MS/WM-XX=Wall Mount

**MM Impact Medium**  
MM/VS=Vandal Shield  
MM/TV-XX=Top Visor (EPA 1.3)  
MM/4V-XX=Four Sided Shield (EPA 2.21)  
MM/BD-XX=Barn Doors (EPA 2.49)  
MM/WG=Wire Guard  
MM/SMT-XX=Surface Mount Tenon  
MM/ST-XX=Stanchion Mount Tenon  
MM/WMT-XX=Wall Mount Tenon (EPA .22)  
MM/TMT-XX=Twin Mount Tenon (EPA .35)

**STOCK SAMPLE NUMBER** [Lamp Included]: MHMS17

**LAMP TYPE**

MH=Metal Halide

**SERIES**

MS=Impact Small Flood  
MM=Impact Medium Flood

**LAMP WATTAGE**

70=70W<sup>2</sup>  
10=100W<sup>2</sup>  
17=175W<sup>2</sup>  
25=250W<sup>1</sup>  
40=400W<sup>1</sup>

**ACCESSORIES** (order separately)

**MS Impact Small**  
MS/TV-BZ=Top Visor  
MS/4V-BZ=Four Sided Shield  
MS/BD-BZ=Barn Doors  
MS/WG=Wire Guard

**MM Impact Medium**  
MM/TV-BZ=Top Visor  
MM/4V-BZ=Four Sided Shield  
MM/BD-BZ=Barn Doors  
MM/WG=Wire Guard

**NOTES** [stock]: Horizontal flood optics, knuckle mount, multi-tap ballast and bronze paint are standard for stock products. Add "W" to the end of catalog logic to specify white finish (Available on small housing 175W only). Stock accessories only available in bronze finish. Options not available with stock products. Refer to standard ordering information.

**OPTIONAL COLORS** [Standard color is bronze]<sup>8</sup>



**EPA**

MS=1.12  
MM=2.10

LAMP TYPE	MS	MM
Metal Halide	50, 70, 100, 175W	175, 250, 400W
Pulse Start Metal Halide		250, 320, 350, 400W
High Pressure Sodium	50, 70, 100, 150W	150, 250, 400W
Compact Fluorescent	26, 32, 42W	57, 70W

**NOTES:** 1 Available on medium housing only. 2 Available on small housing only. 3 All lamps are medium-base on small housings and mogul-base on medium housings. 4 320/350W Pulse Start Metal Halide lamps only. 5 Products also available in non-US voltages and 50Hz for international markets. Consult factory for availability and ordering information. 6 Multi-Tap is 120/208/240/277V wired 277V. Triple-Tap ballast is 120/277/347V wired 347V. Dual-Tap is 120/277V wired 277V. 7 Compact Fluorescent lamps only, 120-277V with internal fusing. 8 Other finish colors available. Consult your Cooper Lighting representative.

## Free Manuals Download Website

<http://myh66.com>

<http://usermanuals.us>

<http://www.somanuals.com>

<http://www.4manuals.cc>

<http://www.manual-lib.com>

<http://www.404manual.com>

<http://www.luxmanual.com>

<http://aubethermostatmanual.com>

Golf course search by state

<http://golfingnear.com>

Email search by domain

<http://emailbydomain.com>

Auto manuals search

<http://auto.somanuals.com>

TV manuals search

<http://tv.somanuals.com>