

# McGraw-Edison®

The Architecture of Form & Light

## INSTALLATION INSTRUCTIONS

**IMPORTANT :** READ CAREFULLY BEFORE INSTALLING FIXTURE. RETAIN FOR FUTURE REFERENCE

### EPL Envoy

#### Task Light Field Installation Kit

#### Sheet 1 of 3

4/7/08

IMI-695D



**GENERAL:** Upon receipt of luminaire thoroughly inspect for any freight damage, which should be brought to the attention of the delivery carrier. Compare the catalog description listed on the packing slip with the luminaire label on the housing to assure you have received the correct merchandise.

**SAFETY:** This luminaire must be wired in accordance with the national electrical code and applicable codes and ordinance. Proper grounding is required to insure personal safety. Carefully observe grounding procedure. All work should be done by a qualified electrician.

**WARNING:** Make certain power is OFF before starting installation or attempting any maintenance.

**WARNING:** Risk of Electric Shock. Disconnect power at fuse or circuit breaker before installing or servicing.

**WARNING:** Risk of Burn. Disconnect power and allow luminaire to cool before changing lamp or handling luminaire.

**WARNING: RISK OF FIRE!** DO NOT mount on or near combustible materials.

#### FAILURE TO FOLLOW INSTRUCTIONS MAY RESULT IN SERIOUS INJURY OR DEATH

##### TASK LIGHT FIELD KIT INSTALLATION: (Figure 1)

- Note:** Remove tamper proof screws first if luminaire includes (TR) tamper-resistant option. (Figure 1).
- To release clasp lock on "quick mount" bracket, push handle inward and pull luminaire forward. (Figure 2). **CAUTION:** Do not let luminaire fall. Support luminaire while lowering off of j-box to resting/hanging position.
- Remove luminaire hanging hook from quick mount plate (Figure 3 & 4).  
**CAUTION:** Support luminaire while removing.  
**CAUTION:** DO NOT place luminaire directly with lens facing down; it may scratch or cause the lens to break. Place fixture with lens facing upright on stable work surface. **SUGGESTION:** Remove the lens completely in order to perform remaining of Task Light accessory installation. Unlatch both latches. **CAUTION:** To avoid lens breakage, remove lens retainer if necessary (Figure 5). Remove the complete lens assembly and set aside to prevent damage. Take off upper reflector by loosening thumbscrews (See figure 6).
- Reference dimensions as shown and mark housing if necessary (Figure 7 & 8).
- Line up an adapter block and secure tightly if possible to aid in drilling (Figure 7 & 8).  
**CAUTION:** DO NOT drill or damage other components inside luminaire. To avoid this from happening, remove them if necessary.
- Drill center hole as specified and de-burr if necessary to remove sharp edges (Figure 7 & 8).
- Drill and tap the two outside holes as specified (Figure 7 & 8).
- Install gasket and adapter block (with provided fasteners) (Figure 9).
- Apply sealing compound on the threads of handle (provided by others).
- Pull wires out of head through access in block. Screw the handle into adapter block. On inside of fixture, make connections and restrain with wire tie.
- Aim the handle to a preferred position and lock it in position.
- Aim task light head to a preferred position and tighten #10-24 Allen head screw (with provided Allen wrench).
- To install lamp, remove task light cover by twisting counter-clockwise and pulling out (Figure 9). **CAUTION:** Verify that lamp source and wattage correspond with the luminaire label.
- Re-install task light cover by pushing in and rotating clockwise (Figure 9).

Figure 1

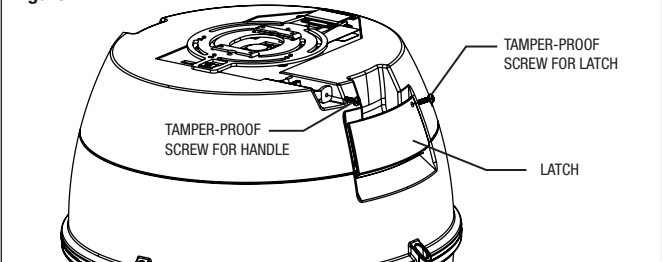


Figure 2  
TO REMOVE

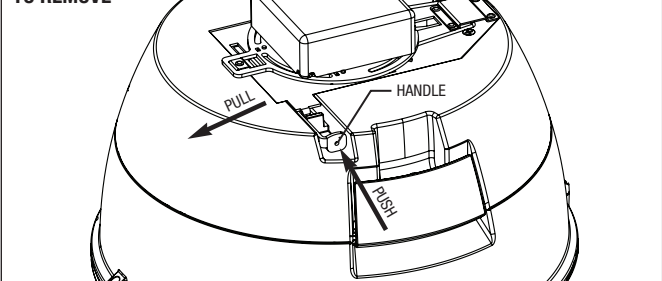
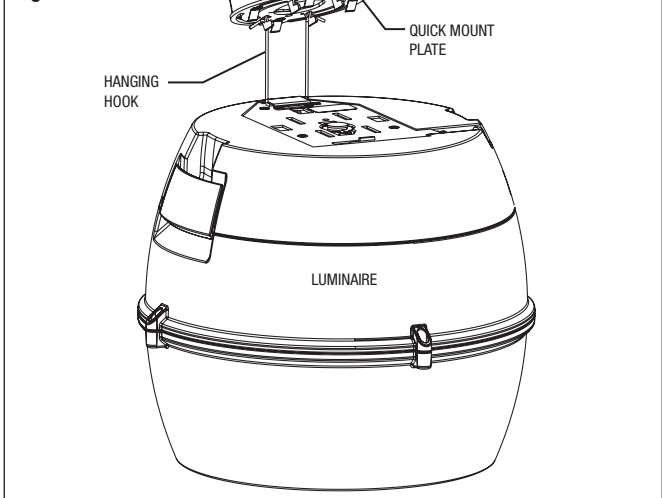


Figure 3



These instructions do not claim to cover all details or variations in the equipment, procedure, or process described, nor to provide directions for meeting every possible contingency during installation, operation or maintenance. When additional information is desired to satisfy a problem not covered sufficiently for user's purpose, please contact your nearest representative.

**NOTE:** Specifications and dimensions subject to change without notice.

# McGraw-Edison

The Architecture of Form & Light

## INSTALLATION INSTRUCTIONS

**IMPORTANT** : READ CAREFULLY BEFORE INSTALLING FIXTURE. RETAIN FOR FUTURE REFERENCE

### EPL Envoy

#### Task Light Field Installation Kit

#### Sheet 2 of 3

4/7/08

IMI-695D

#### LUMINAIRE RE-INSTALLATION:

- Note:** Install lens to housing if removed during drilling. Reverse Step 3.
- Secure hanging hook into the rear hooks of quick mount plate (Figure 3 & 4).
- Make wiring connection while luminaire is being suspended from hanging hook.
- Push excess wires and connectors up into the junction box.
- Lift up luminaire onto the (4) four hooks of quick mount plate while guiding the wires through center access hole (Figure 3).
- Push luminaire forward for engagement. When it reaches the full-engaged position, a "CLICK" can be heard.

**CAUTION:** If full engagement is not reached, it is not yet rigidly installed.

Figure 4

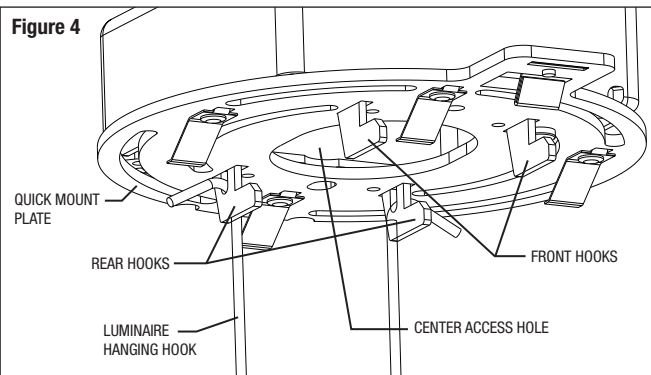


Figure 5

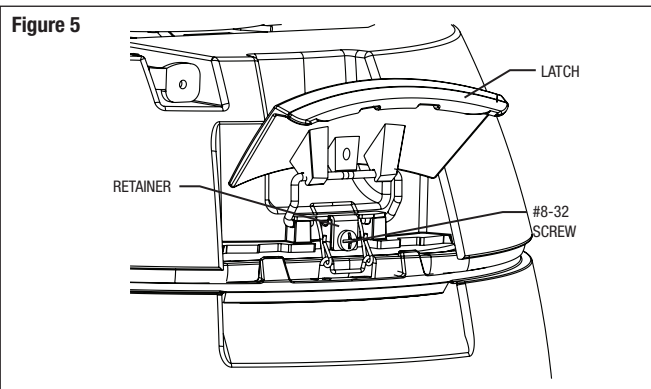
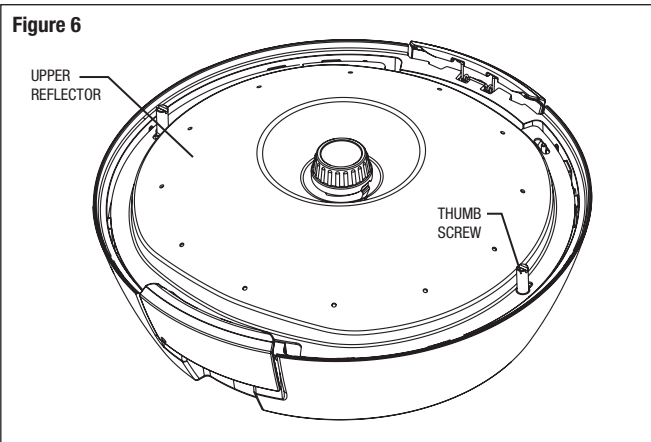


Figure 6



These instructions do not claim to cover all details or variations in the equipment, procedure, or process described, nor to provide directions for meeting every possible contingency during installation, operation or maintenance. When additional information is desired to satisfy a problem not covered sufficiently for user's purpose, please contact your nearest representative.

**NOTE:** Specifications and dimensions subject to change without notice.

# McGraw-Edison®

The Architecture of Form & Light

## INSTALLATION INSTRUCTIONS

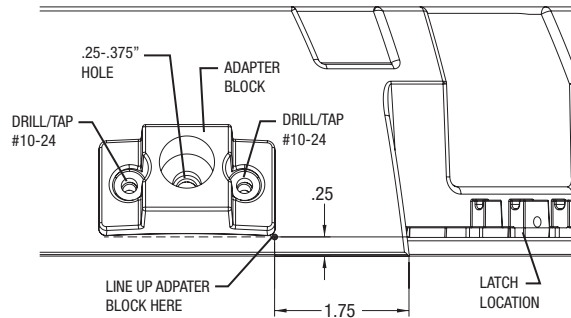
**IMPORTANT** : READ CAREFULLY BEFORE INSTALLING FIXTURE. RETAIN FOR FUTURE REFERENCE

### EPL Envoy Parking Luminaire Sheet 3 of 3

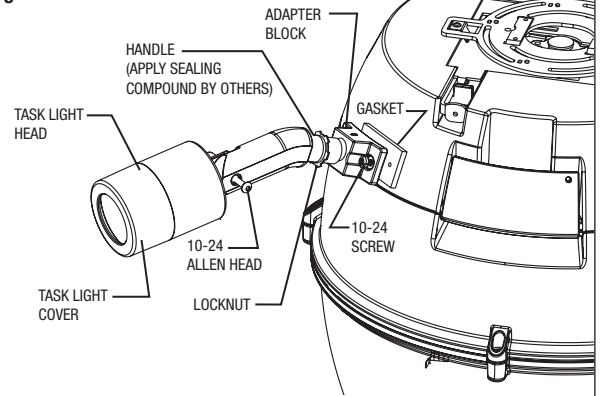
4/7/08

IMI-695D

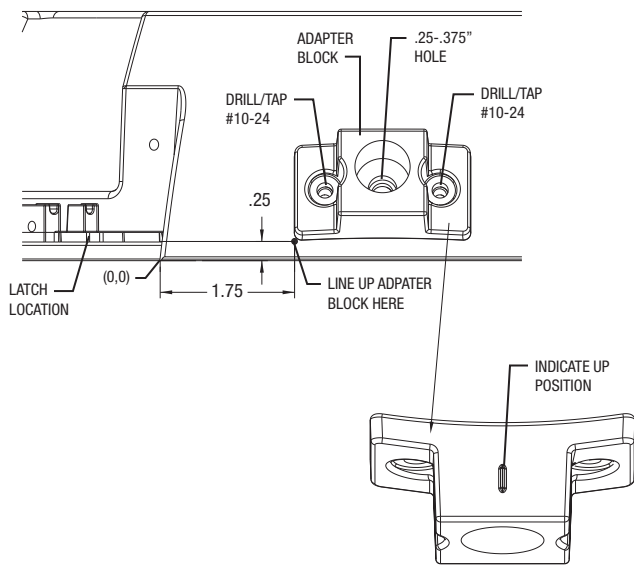
**Figure 7**



**Figure 9**



**Figure 8**



These instructions do not claim to cover all details or variations in the equipment, procedure, or process described, nor to provide directions for meeting every possible contingency during installation, operation or maintenance. When additional information is desired to satisfy a problem not covered sufficiently for user's purpose, please contact your nearest representative.  
**NOTE:** Specifications and dimensions subject to change without notice.

## Free Manuals Download Website

<http://myh66.com>

<http://usermanuals.us>

<http://www.somanuals.com>

<http://www.4manuals.cc>

<http://www.manual-lib.com>

<http://www.404manual.com>

<http://www.luxmanual.com>

<http://aubethermostatmanual.com>

Golf course search by state

<http://golfingnear.com>

Email search by domain

<http://emailbydomain.com>

Auto manuals search

<http://auto.somanuals.com>

TV manuals search

<http://tv.somanuals.com>