

SURE-LITES

Installation Instructions for HR87, HR117, HR12117 Series

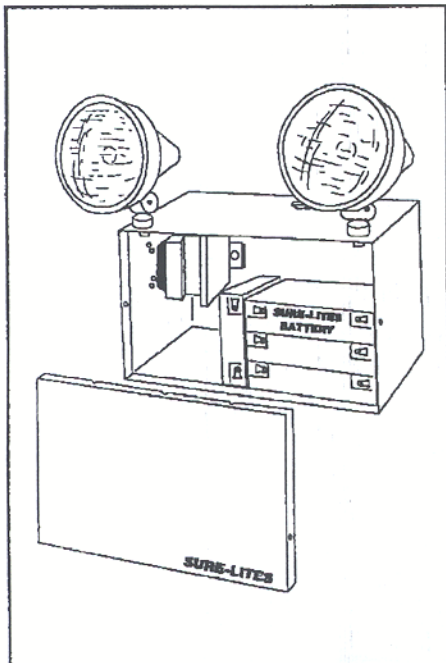
IMPORTANT SAFEGUARDS

WHEN USING ELECTRICAL EQUIPMENT, BASIC SAFETY PRECAUTIONS SHOULD ALWAYS BE OBSERVED, INCLUDING THE FOLLOWING:

1. **READ AND FOLLOW ALL SAFETY INSTRUCTIONS**
2. Do not use outdoors.
3. Do not let power supply cords touch hot surfaces.
4. Do not mount near gas or electric heaters.
5. Equipment should be mounted in locations and at heights where it will not readily be subjected to tampering by unauthorized personnel.
6. The use of accessory equipment not recommended by Sure-Lites may cause an unsafe condition.
7. Do not use this equipment for other than its intended purpose.
8. The equipment covered by these instructions is approved for remote fixtures. Check the remote wattage label to determine remote capability. **DO NOT** exceed **TOTAL OUTPUT RATING** of equipment.
9. Some units do not require a load fuse because the solid state transfer circuit is current limited. Transfer circuit will automatically shut down if overloaded.
10. Higher current units utilize a transfer relay for remote load and require fusing. Check fuse replacement label when replacing fuses. **DO NOT** exceed rating shown on the fuse replacement label.
11. **Caution:** Halogen cycle lamp(s) may be used in the equipment. To avoid shattering; Do not operate lamp in excess of rated voltage. Protect lamp against abrasion and scratches and against liquids when lamp is operating. Dispose of lamp with care.
12. Halogen cycle lamps operate at high temperatures. Do not store or place flammable materials near lamp.
13. **SAVE THESE INSTRUCTIONS**

INSTALLATION

- Step 1. Remove cover and mount unit securely in place.
- Step 2. When connecting unit directly to an electrical box, insert bushing supplied with unit 7/8" KO.
- Step 3. Extend unswitched 24 hour supply of rated voltage and connect per diagram. Cap unused line lead. Connect ground in accordance with NEC or local codes. Circuit should not be energized at this time.
- Step 4. If remote lamps are to be connected, extend DC circuit per Article 700 and 720 of the NEC and connect to yellow and violet leads provided.
- Step 5. Install battery(s) and connect battery RED (+) and BLUE (-) battery leads per wiring diagram. Lamps will not light at this time.
- Step 6. Turn on AC supply and operate test switch. DC lamps will come on. Charge indicator will stay on. Release test switch. DC lamps will extinguish.
- Step 7. Replace cover.



MAINTENANCE:

Replace batteries every 8 to 10 years according to ambient. Equipment should be tested regularly in accordance with local codes. For multiple battery units, replace all batteries at the same time.

NOTE: Servicing of any parts should be performed by qualified personnel. For replacement lamps, fuse or PC board, see fixture labels.

OPERATION:

1. To test, depress test switch. DC lamps will come on.
2. Release test switch. DC lamps will extinguish.

CAUTION: This series emergency light is furnished with a sophisticated low voltage dropout circuit to protect battery from over discharge after its useful output has been used. Allow 24 hour recharge time after installation or power failure for full load testing.

TROUBLE SHOOTING GUIDE:

EMERGENCY LAMPS DO NOT COME ON- PILOT LIGHT OUT BEFORE TEST

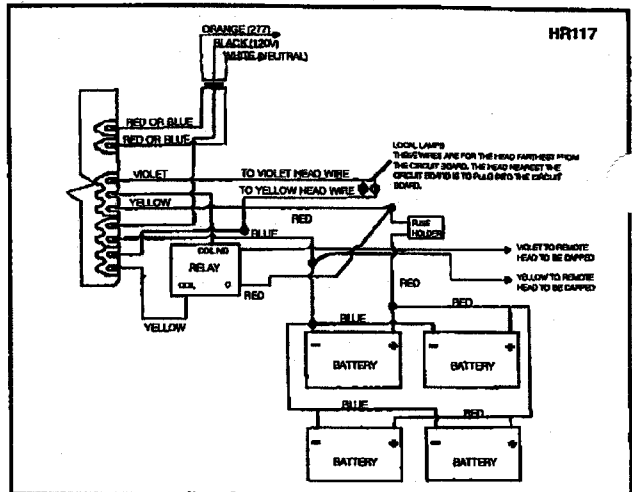
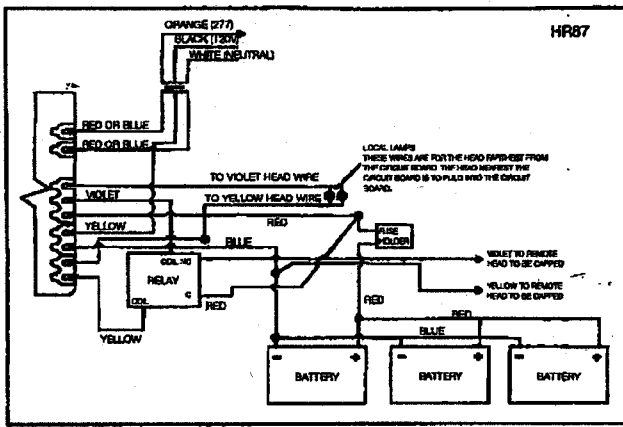
1. Check AC Supply - Be sure unit has 24 hour AC supply.
2. AC Supply on - Pilot light out. Replace charge circuit.
3. Pilot light on - Lamps do not light. Higher output shorted or battery not connected.

EMERGENCY LAMPS COME ON DIM

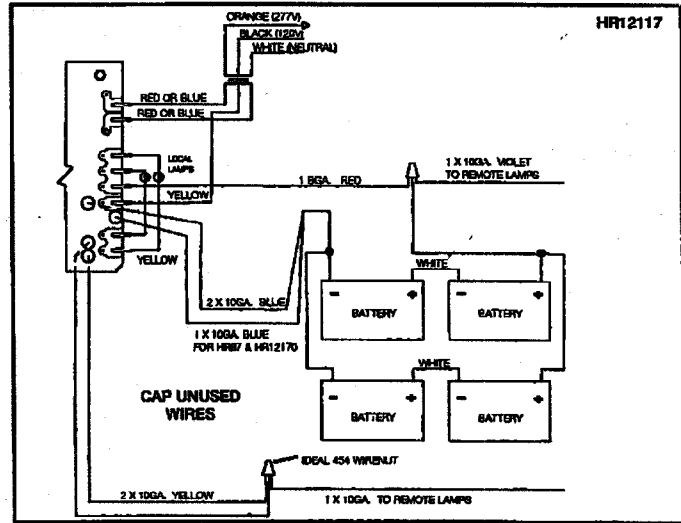
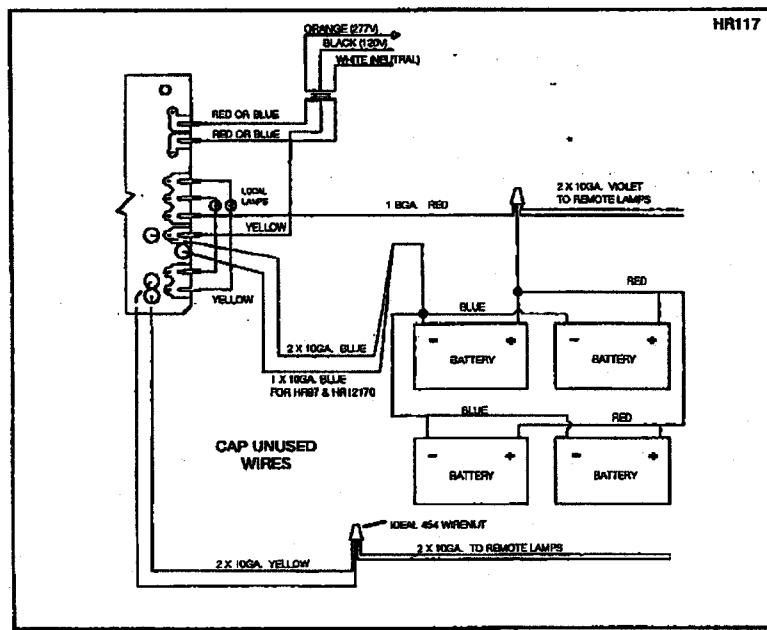
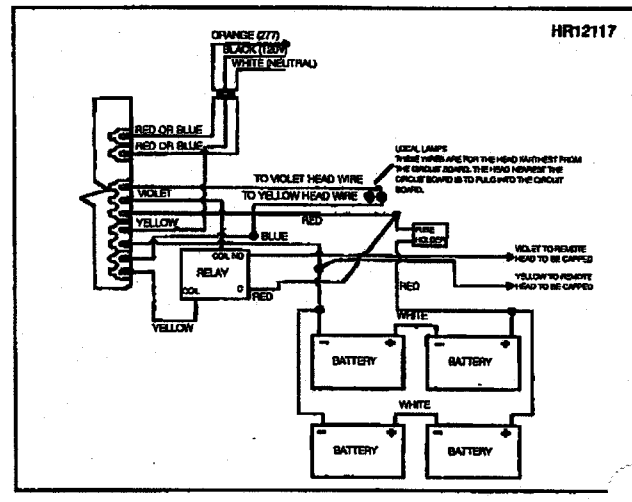
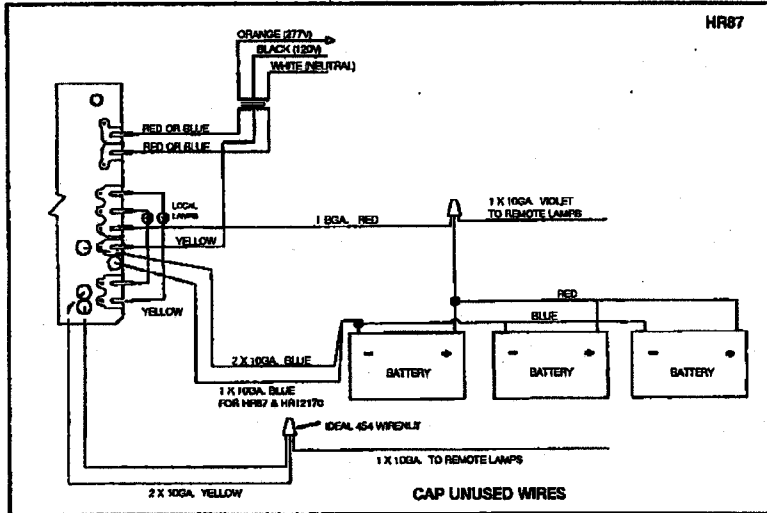
1. Battery discharged - Permit unit to charge 24 hours and then retest. If lamps are still on dim, check charger for charge function. If functioning properly, replace battery.
2. Remote lamps dim - Check wire size to remote lamps against wire size chart.

If following the above trouble shooting hints does not solve your problem, contact your local Sure-Lites Representative or the factory for assistance.

WIRING DIAGRAMS WITH RELAY



WIRING DIAGRAMS WITHOUT RELAY



Model No.	Output Voltage	Output Watts-1 1/2 Hr.	Batteries
HR87	6	67	(3) 026-50 Parallel
HR117	6	117	(4) 026-50 Parallel
HR12117	12	117	(4) 026-50 Series/Parallel

For models with heads, subtract head wattage from output wattage to determine remote wattage capability.
Orientation of edge connect slots may vary from that shown.

Free Manuals Download Website

<http://myh66.com>

<http://usermanuals.us>

<http://www.somanuals.com>

<http://www.4manuals.cc>

<http://www.manual-lib.com>

<http://www.404manual.com>

<http://www.luxmanual.com>

<http://aubethermostatmanual.com>

Golf course search by state

<http://golfingnear.com>

Email search by domain

<http://emailbydomain.com>

Auto manuals search

<http://auto.somanuals.com>

TV manuals search

<http://tv.somanuals.com>