

McGraw-Edison[®]

The Architecture of Form & Light

INSTALLATION INSTRUCTIONS

IMPORTANT : READ CAREFULLY BEFORE INSTALLING FIXTURE. RETAIN FOR FUTURE REFERENCE

EPL/HS, EPL/HSCF, EPL/DLS Envoy
House Side Shield or Drive Lane Shield
Sheet 1 of 1

4/7/08

IMI-695C



GENERAL: Upon receipt of luminaire thoroughly inspect for any freight damage, which should be brought to the attention of the delivery carrier. Compare the catalog description listed on the packing slip with the luminaire label on the housing to assure you have received the correct merchandise.

SAFETY: This luminaire must be wired in accordance with the national electrical code and applicable codes and ordinance. Proper grounding is required to insure personal safety. Carefully observe grounding procedure. All work should be done by a qualified electrician.

WARNING: Make certain power is OFF before starting installation or attempting any maintenance.

WARNING: Risk of Electric Shock. Disconnect power at fuse or circuit breaker before installing or servicing.

WARNING: Risk of Burn. Disconnect power and allow luminaire to cool before changing lamp or handling luminaire.

WARNING: This luminaire is for use with downlight application only.

WARNING: RISK OF FIRE! DO NOT mount on or near combustible materials.

FAILURE TO FOLLOW INSTRUCTIONS MAY RESULT IN SERIOUS INJURY OR DEATH

UPPER HOUSE SIDE SHIELD (HS) ACCESSORY (ENVOY PARKING LUMINAIRE) INSTALLATION: (Figure 1)

1. Unlatch both latches to allow lens to swing open.

CAUTION: Support the lens while it swings open.

2. Install upper HS on the upper reflector on the side where light is to be shielded (with provided #6-32 screws).

Note: Maximum quantity of (2) sets of house side shield may be used for total coverage of 180°.

BOTTOM HOUSE SIDE SHIELD (HS) OR DRIVE LANE SHIELD (DLS) ACCESSORY (ENVOY PARKING LUMINAIRE) INSTALLATION:

1. Unlatch both latches to allow lens to swing open.

CAUTION: Support the lens while it swings open.

Note: Detach lens from die cast housing if necessary by removing #8-32 screw and retainer (Figure 3).

CAUTION: Support the lens while removing screw and retainer.

2. Run wire retainers behind the main reflector on the side where light is to be shielded (Figure 2).

3. Slide bottom HS or DLS onto bottom hook of wire retainers.

Note: Curve of shield should follow inside contour of lens (Figure 2).

4. Hook top wire retainers to the top edge of main reflector (Figure 2).

Note: Drive lane shield accessory is normally positioned in center of lens in line with drive lane. Two (2) shields may be used for 2-way driving. For 1-way driving; shield should be placed on side towards on-coming traffic.

Figure 1

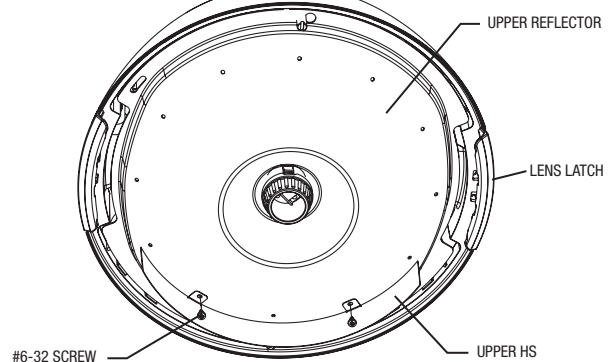


Figure 2

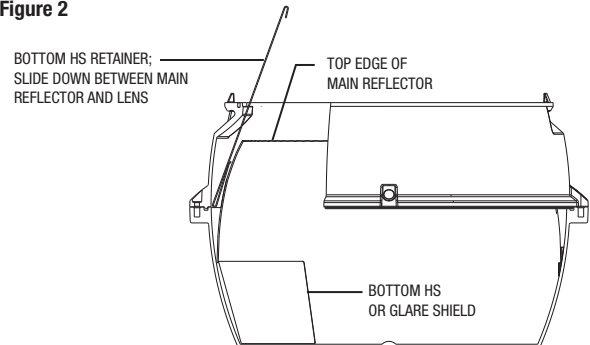
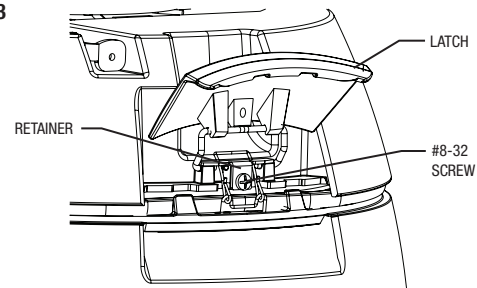


Figure 3



These instructions do not claim to cover all details or variations in the equipment, procedure, or process described, nor to provide directions for meeting every possible contingency during installation, operation or maintenance. When additional information is desired to satisfy a problem not covered sufficiently for user's purpose, please contact your nearest representative.

NOTE: Specifications and dimensions subject to change without notice.

Free Manuals Download Website

<http://myh66.com>

<http://usermanuals.us>

<http://www.somanuals.com>

<http://www.4manuals.cc>

<http://www.manual-lib.com>

<http://www.404manual.com>

<http://www.luxmanual.com>

<http://aubethermostatmanual.com>

Golf course search by state

<http://golfingnear.com>

Email search by domain

<http://emailbydomain.com>

Auto manuals search

<http://auto.somanuals.com>

TV manuals search

<http://tv.somanuals.com>