

# SURE-LITES®

## CHEL SERIES

### DIE-CAST ALUMINUM EMERGENCY LIGHTING

The Sure-Lites CHEL emergency light provides a distinct solution to any emergency application. Constructed of die-cast aluminum, the light offers not only a unique shape and design but also provides dependable power and is durable. Offered in three popular powder coat finishes, the CHEL will blend well in a variety of environments and is suited for both commercial and industrial applications.

#### STANDARD FEATURES:

- 50' Spacing (Two 12W MR16 Lamps)
- 24W Battery (Remote Capacity w/optional lamps)
- Self-Diagnostics and Remote Laser Testing
- Damp Location Listed (UL924)
- Reverse Mounting

#### FAS-TEST™ REMOTE TESTING

A quick and convenient way to verify proper operation by remotely activating a 30 second test. A laser pointer (sold separately as an accessory) is utilized to trigger a photocell test switch from a distance of up to 30'.

**Laser  
Testing**

023-414

**WatchGuard EMS**

Indicator	Meaning
● Steady	Float Charge
● Pulse	High Charge
● - ●	Battery Failure
● - ● - ●	Circuit Failure
● - ● - ● - ●	Lamp Failure

TEST INDICATOR

#### WATCHGUARD EMS SELF-DIAGNOSTIC SYSTEM

The self-diagnostic unit will automatically perform all tests required by UL924 and NFPA 101. The system indicates the status of the exit at all times using an LED indicator that is located near the test switch.

**COOPER** Lighting

## Key Features

### Electrical

Dual Voltage Input, 120/277 VAC, 60Hz  
 Low Voltage Disconnect  
 Line-latching  
 Brownout Circuit  
 Watchguard EMS Self-Diagnostic System  
 Fas-Test™ Photocell Test Switch  
 Fully Recharged in 24hrs

### Housing Construction

Die-Cast Aluminum Housing  
 Powder Coat Finish  
 Universal/Reverse Mounting  
 1/2" Threaded Conduit Access  
 Snap Fit Design

### Battery

Sealed Lead Calcium  
 Long Life, Maintenance Free

### Head/Lamp Data

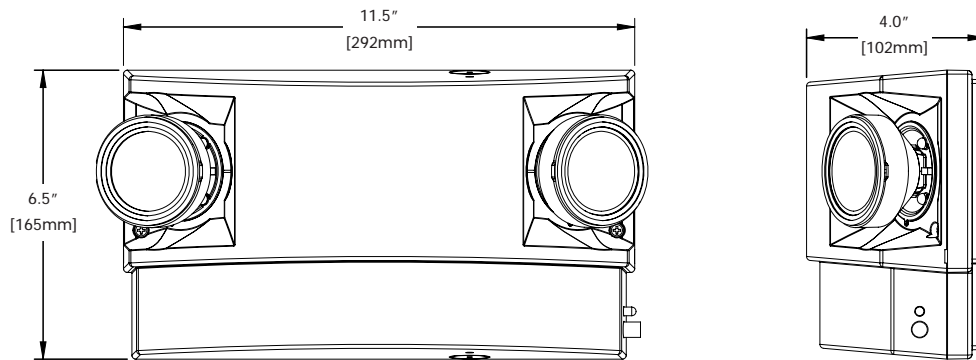
Two 6V 12W MR16 Lamps  
 Fully Adjustable

### Code Compliance

UL 924 Listed  
 Damp Location Listed  
 City of Chicago Approved  
 Life Safety NFPA 101  
 NEC/OSHA

### Warranty

Unit – 1 Year  
 Battery – 5 Year Pro-Rata



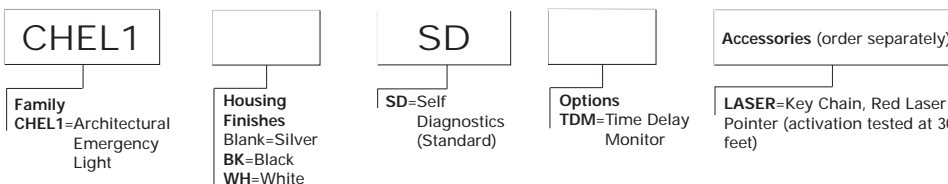
## Ordering Information

### ELECTRICAL RATINGS

Model	Rated Wattage to 87 1/2% of Rated D.C. Voltage		Lamp Information			
	DC Voltage	1 1/2 Hours	Type	Wattage	Number	Spacing <sup>(1)</sup>
CHEL1SD	6	24	MR16	12	29-140	50'

### ORDERING INFORMATION

SAMPLE NUMBER: 6CHEL1SD



<sup>(1)</sup> The "Rule of Thumb" spacing guidelines are designed to achieve 1 foot-candle average and 0.1 foot-candle minimum with a 40:1 maximum/minimum ratio. The corridor used is 100 feet long with a 9 foot ceiling, 6 foot wide walkway, and a 3 foot path of egress. The reflectances are 80% ceiling, 50% walls and 20% floors. The fixture mounting height is 7.5 feet with a lamp head angle of 60 degrees. Cooper Lighting assumes no responsibility for local requirements or specific project variables. This is a guideline to be used as a design aid, not as guarantee of any code compliance.

TOTALLY PREDICTABLE  
**RELIABILITY.**

## Free Manuals Download Website

<http://myh66.com>

<http://usermanuals.us>

<http://www.somanuals.com>

<http://www.4manuals.cc>

<http://www.manual-lib.com>

<http://www.404manual.com>

<http://www.luxmanual.com>

<http://aubethermostatmanual.com>

Golf course search by state

<http://golfingnear.com>

Email search by domain

<http://emailbydomain.com>

Auto manuals search

<http://auto.somanuals.com>

TV manuals search

<http://tv.somanuals.com>