

# COOPER LIGHTING - METALUX®

## DESCRIPTION

The STN Series is a functional and multi-purpose medium duty strip family that incorporates premium performance and construction durability. The performance and application versatility of this series can be increased by incorporating symmetrical or asymmetrical reflectors. The STN Series can be installed using various mounting methods and numerous options and accessories are available.

The STN Series can be the illumination solution in commercial, industrial, retail and residential applications. Fixtures can be used in storage/utility areas, coves, display cases, shops, task and general area lighting.

## SPECIFICATION FEATURES

### A ... Construction

Channel die formed code gauge prime cold rolled steel. Deep V-Groove for tong hanger. Die formed channel connector, sleeve type, assures straight rows and continuity of ground through set screws. Numerous KOs for ease of installation. Lampholder mounting brackets easily installed with snap-in action. Channel/wireway cover secured with quarter-turn fasteners.

### B ... Electrical\*

Ballasts are CBM/ETL Class "P" and are positively secured by mounting bolts. Spring loaded lampholders. UL/CUL listed. Suitable for damp locations.

### C ... Finish

Multistage, iron phosphate pretreatment ensures maximum bonding and rust inhibitor. Lighting grade, baked white enamel finish.

### D ... Channel/Wireway Cover

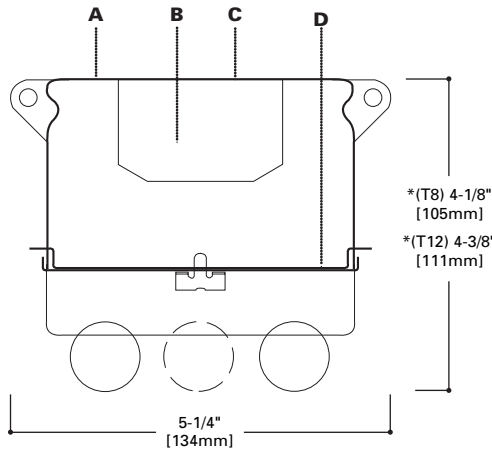
Die formed heavy gauge steel. Tight fit for ease of maintenance. Easily removed without use of tools. Optional reflector available incorporating silver technology enhancements. (SilverLining) Consult Pre Sales Technical Support.

Catalog #		Type
Project		
Comments		Date
Prepared by		

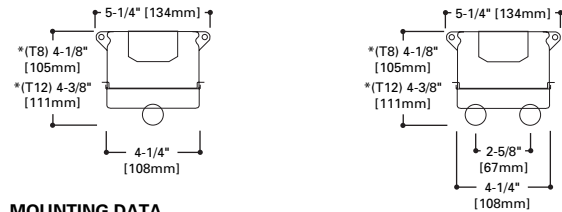


**STN**  
140  
132  
240  
232

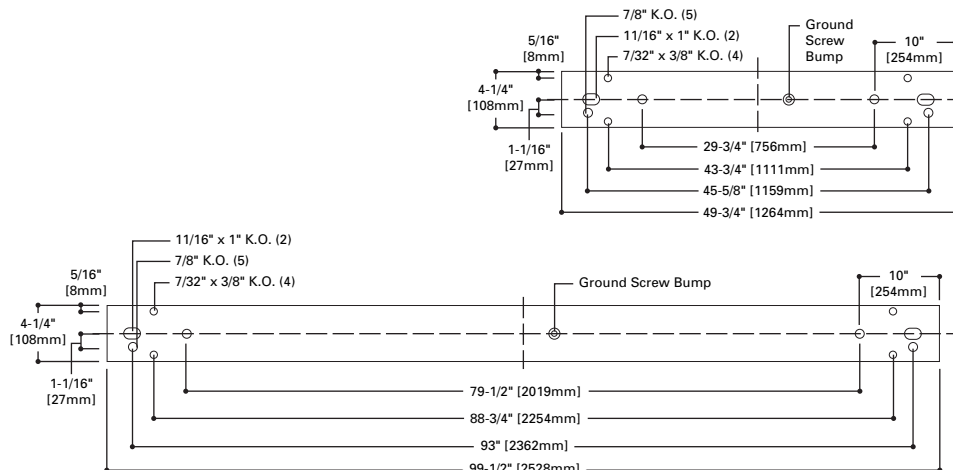
**4' STRIP**  
**1 OR 2 LAMP**  
**Medium-Duty Striplight**



## LAMP CONFIGURATIONS



## MOUNTING DATA



## ENERGY DATA

Input Watts:

EB Ballast & STD Lamps

140 (38)

132 (37)

240 (72)

232 (61)

ES Ballast & STD Lamps

140 (50)

132 (37)

240 (86)

232 (71)

Luminaire Efficacy Rating

LER = FS-80

Catalog Number: STN-232

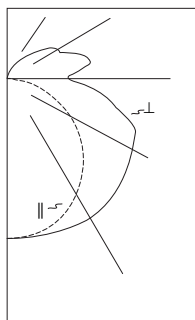
Yearly Cost of 1000 lumens,  
3000 hrs at .08 KW/hrs \$3.00

\*Reference the lamp/ballast data in the Technical Section for specific lamp/ballast requirements.

LAMPS CONTAIN MERCURY. DISPOSE ACCORDING TO LOCAL, STATE OR FEDERAL LAWS

**LINEAR DISCONNECT**  
Safe and convenient means of disconnecting power





**STN-232**  
 Electronic Ballast  
 F32T8/35K Lamps  
 2850 Lumens  
 Spacing criterion:  
 (II) 1.3 x mounting  
 height, (L) 1.5 x  
 mounting height  
 Efficiency 93.5%  
 Test Report:  
 STN232.IES  
 LER = FS-80

Yearly Cost of 1000  
 lumens, 3000 hrs at  
 .08 KWH = \$3.00

**Coefficients of Utilization**

rc	Effective floor cavity reflectance																	
	80%				70%				20%									
rw	70	50	30	10	70	50	30	10	50	30	10	50	30	10	50	30	10	0
<b>RCR</b>																		
0	107	107	107	107	102	102	102	102	93	93	93	85	85	85	78	78	78	75
1	95	90	86	81	91	86	82	78	79	75	72	72	69	67	65	63	61	58
2	86	77	70	64	81	74	67	62	67	62	58	61	57	53	56	53	50	46
3	78	67	59	52	74	64	57	51	59	53	47	54	49	44	49	45	41	38
4	71	59	50	44	67	56	48	42	52	45	40	47	42	37	43	38	35	32
5	64	52	43	36	61	49	41	35	45	38	33	41	35	31	38	33	29	26
6	59	46	37	31	56	44	36	30	40	33	28	37	31	26	34	29	25	22
7	54	41	32	26	51	39	31	26	36	29	24	33	27	23	30	25	21	19
8	50	37	28	23	47	35	27	22	32	26	21	30	24	19	27	22	18	16
9	46	33	25	19	43	31	24	19	29	22	18	27	21	17	24	19	16	14
10	43	30	22	17	40	29	21	17	26	20	16	24	19	15	22	17	14	12

**Zonal Lumen Summary**

Zone	Lumens	%Lamp	%Fixture
0-30	822	14.4	15.4
0-40	1397	24.5	26.2
0-60	2724	47.8	51.1
0-90	4250	74.6	79.8
90-180	1078	18.9	20.2
0-180	5328	93.5	100.0

**Candela**

Angle	Along II	45°	Across L
0	1009	1009	1009
10	996	1001	1009
20	942	979	1014
30	853	945	1026
40	735	898	1008
50	593	823	959
60	432	721	906
70	260	633	824
80	100	460	600
90	9	248	381
100	7	336	527
110	7	255	448
120	7	211	364
130	7	142	276
140	7	76	175
150	7	18	79
160	7	5	5
170	0	0	0
180	0	0	0

**ORDERING INFORMATION**

SAMPLE NUMBER: STN-232-120V-EB81-U

<p>Blank=4' Length                  8T=8' Length                  STN=Series</p>	<p>Number of Lamps                  1 or 2 lamps                  (Not Included)</p> <p>Wattage (Length)                  40=34/40WT12 (48")                  32=32WT8 (48")</p> <p>Voltage <sup>(1)</sup>                  120V=120 Volt                  277V=277 Volt                  347V=347 Volt                  UNV=Universal                  Voltage 120-277 <sup>(2)</sup></p> <p>Options                  GL=Single Element Fuse                  GM=Double Element Fuse                  Emergency=EM Installed</p>	<p>Ballast Type <sup>(1)</sup>                  EB8 =T8 Electronic Instant Start.                  Total Harmonic Distortion &lt; 10%                  No. of Ballast                  1, 2 or 3                  EB8 /PLUS=T8 Electronic Instant Start.                  High Ballast Factor &gt;1.13. Total                  Harmonic Distortion &lt; 20%                  No. of Ballast                  1, 2 or 3                  ER8 =T8 Electronic Program Rapid Start.                  Total Harmonic Distortion &lt; 10%                  No. of Ballast                  1 or 2                  EB2 =T12 Electronic Rapid Start.                  No. of Ballast                  1 or 2                  DLS=Digital Lighting System Dimming</p>	<p>Options                  RIF1=Radio Interference                  Suppressor                  6-3/18 SJT-C&amp;P-515P=Cord                  &amp; Plug (120V)                  6-3/18 SJT-C&amp;P-L715P=                  Cord &amp; Plug (277V)                  PI/CPI=Plug-In Option                  L715P=Cord &amp; Plug (277V)                  TILW=Tandem In-Line                  Wiring Option (Consult                  TILW Option Catalog Page)                  (See options &amp; accessories)</p>	<p>Packaging                  U=Unit Pack                  4B=4 Bulk</p>
--	---	--	---	--

**ACCESSORIES**

(Order Separately)

- A1B=Spacer
- GRP-STN=Gripper Hanger (Use 2 Per Fixture)
- AYC-Chain/Set=36" Chain Hanger (Use 1 Set Per Fixture)
- SCF=Fixed Stem Set (Specify Length)
- SCS=Swivel Stem Set (Specify Length)
- ATG-4=Tong Hanger (Use 2 Per Fixture)
- DI2=Long Connector
- STN/SS-ASY-3<sup>(3)</sup>=3" Asymmetric Reflector (Specify 2', 3', or 4')
- STN/SS-ASY/REV-3<sup>(3)</sup>=3" Asymmetric Reverse Reflector  
(Specify 2', 3', or 4')
- STN/SS-SYM-6<sup>(3)</sup>=6" Symmetric Reflector (Specify 2', 3', or 4')
- STN/SS-ASY-6<sup>(3)</sup>=6" Asymmetric Reflector (Specify 2', 3', or 4')
- IC-4FT-REFL<sup>(3)</sup>=12" Symmetric Reflector
- WG/SS-4FT=Wire Guard

(Additional Accessories Available. See Options and Accessories Section.)

**SHIPPING INFORMATION**

Catalog No.	Wt.
STN-132	12 lbs.
8TSTN-132	20 lbs.
STN-232	12 lbs.
8TSTN-232	24 lbs.

## Free Manuals Download Website

<http://myh66.com>

<http://usermanuals.us>

<http://www.somanuals.com>

<http://www.4manuals.cc>

<http://www.manual-lib.com>

<http://www.404manual.com>

<http://www.luxmanual.com>

<http://aubethermostatmanual.com>

Golf course search by state

<http://golfingnear.com>

Email search by domain

<http://emailbydomain.com>

Auto manuals search

<http://auto.somanuals.com>

TV manuals search

<http://tv.somanuals.com>