

MCGRAW-EDISON®



WTM WESTMINSTER

50 - 250 W

Metal Halide
High Pressure Sodium

POST-TOP
AREA LUMINAIRE

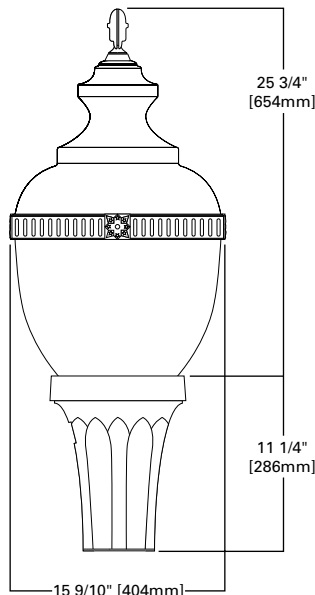
- Globe is available in 9" high efficiency acrylic or optional polycarbonate design. Optional brass banding and finial available. Finial standard black
- Porcelain socket is positioned to provide proper location of the lamp for maximum optical efficiency
- NEMA PCR photocontrol receptacle available. Accessible through door assembly
- Toolless entry, tilt-back power module. Standard plug-in starter (where applicable)
- Cast aluminum housing. Standard color is black. Other finish colors available
- Post-top mount fits 3" O.D. tenons. Polycoat square mounting bolts
- Approximate net weight: 30 lbs. (14 kgs.)

DESCRIPTION

The WTM Westminster's classic beauty and superior photometrics offer roadway illumination and uniformity that sets a new standard for decorative post tops photometry. U.L. listed and CSA certified for wet locations.

Enhancing natural landscapes as well as cityscapes, the Westminster brings outstanding high performance streetscape lighting to walkways, parking lots, and roadways.

DIMENSIONS



ORDERING INFORMATION

SAMPLE NUMBER: WTM-150-MH-120-3-ABV-BK

Product Family WTM=Westminster	Lamp Type MH=Metal Halide HPS=High Pressure Sodium	Voltage² 120=120V 208=208V 240=240V 277=277V 347=347V 480=480V MT=Multi-Tap ³ TT=Triple-Tap ⁴	Distribution 3=Type III 5=Type V	Top Type A=Acorn C=Classical M=Modern N=Nostalgic R=Architectural V=Victorian	Band Type B=Brass Band P=Painted Band X=None	Color AP=Grey BZ=Bronze BK=Black WH=White GN=Hartford Green DP=Dark Platinum GM=Graphite Metallic	Options & Accessories (See Below)
Lamp Wattage 50=50W 70=70W 100=100W 150=150W 175=175W 250=250W ¹	E.P.A. 1.7						

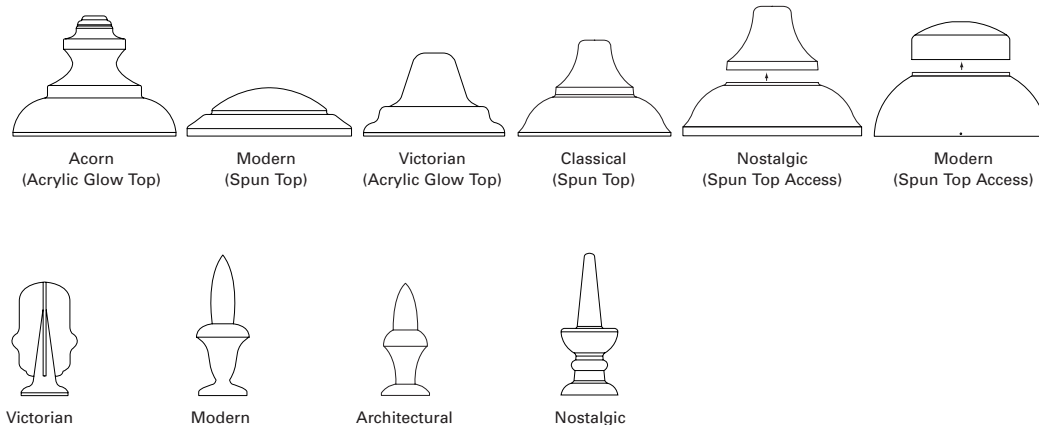
Options⁵

F=Single Fuse (120, 277 or 347V)
FF=Double Fuse (208, 240 or 480V)
P=Polycarbonate Refractor⁶
R=NEMA Twistlock Photocontrol Receptacle
D=Downlight Reflector⁷
L=Lamp Included

Accessories⁸

AA2000=House Side Shield—Medium-base Lamp
AA2001=House Side Shield—Medium-base Lamp
OA/RA1016=NEMA Twistlock Photocontrol—Multi-Tap
OA/RA1027=NEMA Twistlock Photocontrol—480V
OA1201=NEMA Twistlock Photocontrol—347V

Top / Finial Options



NOTES: 1 Available in 120V only. 2 Product also available in non-US voltages and 50Hz for international markets. Consult factory for availability and ordering information. 3 Multi-Tap ballast is 120/208/240/277V wired 277V. 4 Triple-Tap ballast is 120/277/347V wired 347V. 5 Add as suffix in the order shown. 6 Polycarbonate parts used with Metal Halide lamps will eventually yellow. 7 Available with Victorian and Acorn top only. 8 Order separately, replace XX with color suffix. 9 Specifications and dimensions subject to change without notice.
Download from www.Somanuals.com. All Manuals Search And Download.

Free Manuals Download Website

<http://myh66.com>

<http://usermanuals.us>

<http://www.somanuals.com>

<http://www.4manuals.cc>

<http://www.manual-lib.com>

<http://www.404manual.com>

<http://www.luxmanual.com>

<http://aubethermostatmanual.com>

Golf course search by state

<http://golfingnear.com>

Email search by domain

<http://emailbydomain.com>

Auto manuals search

<http://auto.somanuals.com>

TV manuals search

<http://tv.somanuals.com>