

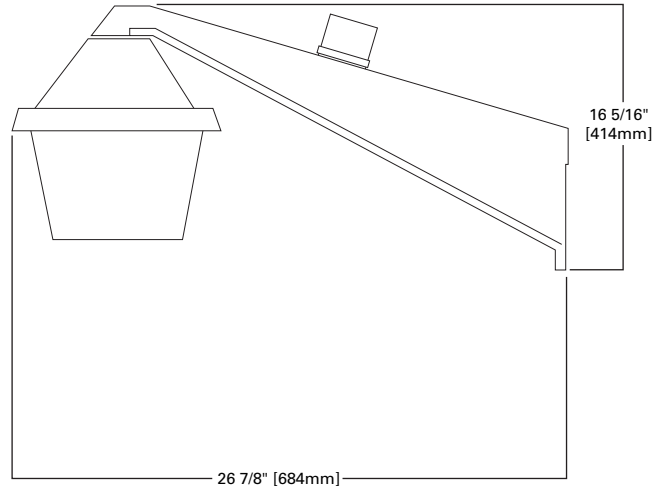
VAN VANGUARD III

ROADWAY LUMINAIRE

70-400W
MH/HPS/MERCURY



STREETWORKS™



PHOTOCONTROL

Optional NEMA twistlock photocontrol.

REFLECTOR

Spun anodized aluminum reflector. Standard with photocontrol receptacle.

LENS

Light stabilized acrylic prismatic refractor efficiently controls and directs light.

HOUSING

Die-cast aluminum housing for structural rigidity also protects integral ballast and wiring, provides offset mounting feature.

DOOR

Quick release access cover on underside for ease of servicing and installation. ANSI wattage/source label.

ORDERING INFORMATION

SAMPLE NUMBER: VAN70SR255LV5A

PRODUCT FAMILY ^{1,2}	LAMP WATTAGE	LAMP TYPE	BALLAST TYPE	VOLTAGE	DISTRIBUTION	OPTIONS (See Below)
VAN	70=70W 10=100W 15=150W 17=175W 20=200W 25=250W 40=400W ³	S=High Pressure Sodium M=Metal Halide V=Mercury	H=Reac./HPF ⁴ P=Hi. Rec./HPF R=Reac./NPF ⁴ W=CWA C=CWI N=Hi. Rec./NPF	2=120V 0=208V 4=240V 7=277V 8=480V 9=347V W=Multi-Tap wired 120V N=Multi-Tap wired 277V	33=Type III 55=Type V	

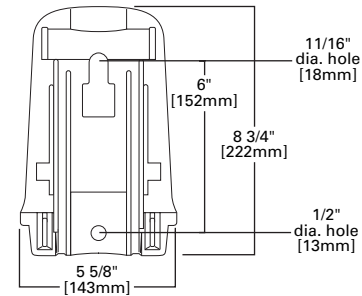
OPTIONS [Must be listed in the order shown and separated by a dash]

OPTIONS (add as suffix)

- 5=120V Photocontrol
- AP=Grey
- B=Terminal Block
- H=Plug-in Starter Receptacle
- L=Lamp

- P=Polycarbonate Refractor
- S=Shorting Cap
- U=U.L. Listed
- V=(2) 5' #14 Leads

MOUNTING HOLE PATTERN

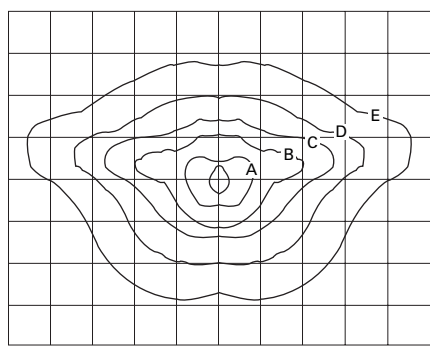


OPTIONAL COLOR

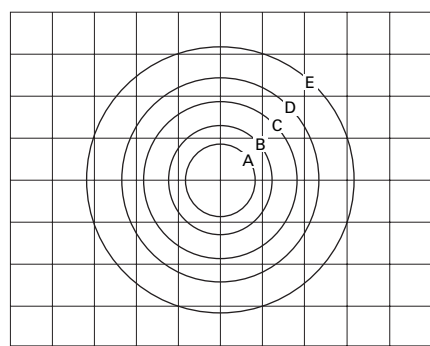


AP
Grey

PHOTOMETRICS [Complete IES files available at www.cooperlighting.com]



VAN25S33.IES
250-Watt HPS
27,500-Lamp Lumens
Type III



VAN25S55.IES
250-Watt HPS
27,500-Lamp Lumens
Type V

FOOTCANDLE TABLE

Select mounting height and read across for footcandle values of each isofootcandle line. Distance in units of mounting height.

Mounting Height	Footcandle Values for Isofootcandle Lines				
	A	B	C	D	E
VAN25S33.IES					
25'	2.88	1.44	0.72	0.36	0.14
30'	2.00	1.00	0.50	0.25	0.10
35'	1.50	0.75	0.38	0.19	0.07
VAN25S55.IES					
25'	2.88	1.44	0.72	0.36	0.14
30'	2.00	1.00	0.50	0.25	0.10
35'	1.50	0.75	0.38	0.19	0.07

EPA:
Effective Projective Area: .85

SHIPPING DATA
Approximate Net Weight:
34 lbs. (15 kgs.)

NOTE: 1 Natural aluminum finish, other colors available. Consult your Streetworks Representative. 2 When ordering "A" must be applied to end of catalog number. 3 HPS not available. 4 120V only.

Free Manuals Download Website

<http://myh66.com>

<http://usermanuals.us>

<http://www.somanuals.com>

<http://www.4manuals.cc>

<http://www.manual-lib.com>

<http://www.404manual.com>

<http://www.luxmanual.com>

<http://aubethermostatmanual.com>

Golf course search by state

<http://golfingnear.com>

Email search by domain

<http://emailbydomain.com>

Auto manuals search

<http://auto.somanuals.com>

TV manuals search

<http://tv.somanuals.com>