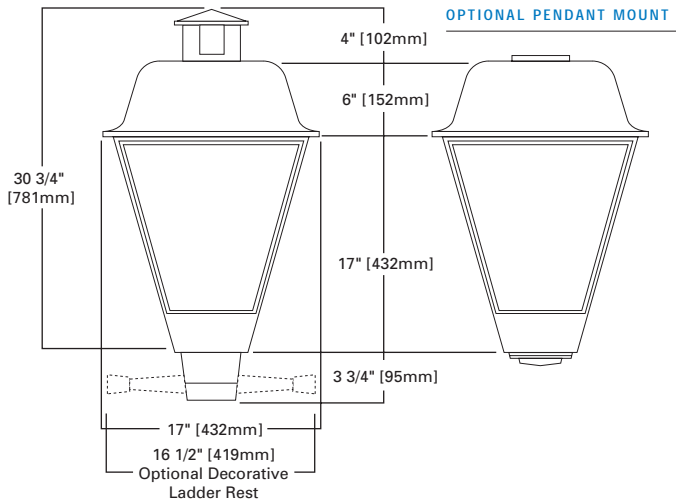


50-250W  
MH/HPS/MERCURY

# UTR TRADITIONAIRE®

POST-TOP AREA LUMINAIRE



STREETWORKS™

## ORDERING INFORMATION

SAMPLE NUMBER: UTR50SR2554

PRODUCT FAMILY	LAMP WATTAGE <sup>2</sup>	LAMP TYPE <sup>2</sup>	BALLAST TYPE <sup>2</sup>	VOLTAGE <sup>2</sup>	DISTRIBUTION	OPTIONS + ACCESSORIES (See Below)
UTR=Traditionaire	50=50W 70=70W 10=100W 15=150W <sup>1</sup> 17=175W 20=200W 25=250W	S=High Pressure Sodium V=Mercury M=Metal Halide <sup>3</sup>	H=Reac./HPF N=Hi. Reac./NPF P=Hi. Reac./HPF R=Reac./NPF W=C/WA C=CWI	2=120V 0=208V 4=240V 7=277V 8=480V 9=347V W=Multi-Tap wired 120V N=Multi-Tap wired 277V V=Multi-Tap wired 240V	22=Type II 33=Type III <sup>4</sup> 55=Type V	

## HOUSING + COVER

Hinged (stainless steel hinge pins) die-cast aluminum housing and cover with cupola. Standard color is black polyester powder coat. Other finish colors available. Consult your Streetworks Representative. <sup>1</sup> ANSI wattage/source label.

## REFRACTOR

Injection molded acrylic refractor panels.

## SOCKET

Mogul-base porcelain socket. (50-150W MH is medium-base socket standard).

## BALLAST

Ballast assembly with encapsulated starter (where used). Tunnel type compression terminal lugs.

## MOUNTING

Self-aligning pole-top filler fits 3" O.D. pole tops or vertical tenons. Square headed 1 1/4" polymer coated mounting bolts with a lock nut.

## FINISH

Standard polyester powder coat finish in black. For more color options see optional color or consult your Streetworks representative for more information.

## OPTIONS + ACCESSORIES [Must be ordered in alphanumeric order]

### OPTIONS (add as suffix)

- 4=Photocontrol Receptacle
- WH=White
- BZ=Bronze
- AP=Grey
- B=House Side Shield
- E=Factory Installed Cupola Cover with Cast Aluminum Eagle
- H=Plug-in Starter Receptacle

- J=Factory Installed Ladder Rest
- P=Polycarbonate Lens Panels
- S=Snap Latches for Toolless Lamp Replacement
- T=3/4" Pendant Mount Provision
- U=UL/CSA Listed
- W=20' #10 Leads Installed

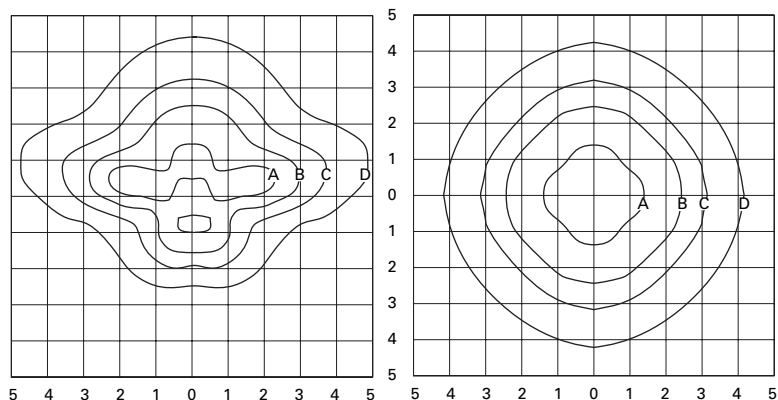
### ACCESSORIES (order separately)

- TA1BK=Decorative Ladder Rest for Field Installation
- OA1219=TurGuard Vandal Shield

## OPTIONAL COLORS [Standard color is black, other finish colors available. Consult your Cooper Lighting representative]



## PHOTOMETRICS [Complete IES files available at www.cooperlighting.com]



**UTR25S22.IES**  
250-Watt HPS  
30,000-Lumen Lamp  
Type II

**UTR25S55.IES**  
250-Watt HPS  
30,000-Lumen Lamp  
Type V

## FOOTCANDLE TABLE

Select mounting height and read across for footcandle values of each isofootcandle line. Distance in units of mounting height.

Mounting Height	Footcandle Values for Isofootcandle Lines			
	A	B	C	D
<b>UTR25S22.IES</b>				
15'	2.77	1.39	0.69	0.28
20'	1.56	0.78	0.39	0.16
25'	1.00	0.50	0.25	0.10
<b>UTR25S55.IES</b>				
15'	1.77	0.89	0.44	0.18
20'	1.00	0.50	0.25	0.10
25'	0.64	0.32	0.16	0.06

## EPA:

Effective Projective Area: 2.3

## SHIPPING DATA

Approximate Net Weight:  
37 lbs. (17 kgs.)

NOTE: 1 150W units are for S55 Lamps. 2 Refer to technical section for lamp/ballast/voltage compatibility. 3 Medium-base porcelain socket standard for 50-150W MH. 4 Requires coated lamp to achieve Type III distribution.

## Free Manuals Download Website

<http://myh66.com>

<http://usermanuals.us>

<http://www.somanuals.com>

<http://www.4manuals.cc>

<http://www.manual-lib.com>

<http://www.404manual.com>

<http://www.luxmanual.com>

<http://aubethermostatmanual.com>

Golf course search by state

<http://golfingnear.com>

Email search by domain

<http://emailbydomain.com>

Auto manuals search

<http://auto.somanuals.com>

TV manuals search

<http://tv.somanuals.com>