

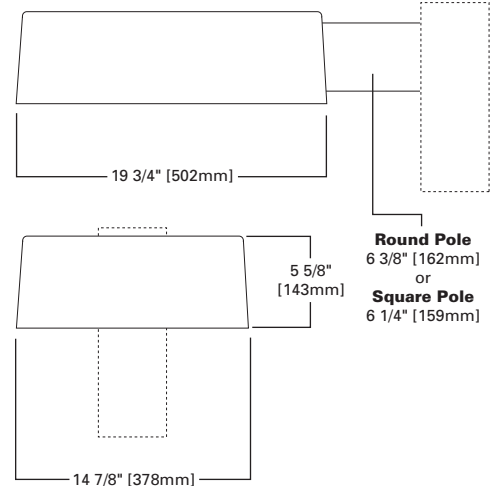
UCS CONCOURSE III

ARCHITECTURAL AREA LUMINAIRE

70-400W
MH/HPS/SMH/MERCURY



STREETWORKS™



LATCHES

Two spring-steel quick release latches on housing for toolless entry.

SOCKET

Porcelain mogul-base lamp socket with spring-loaded center contact.

HOUSING

One-piece, die-cast aluminum housing features aesthetically pleasing soft-corner design. ANSI wattage/source label.

GASKETING

Closed cell gas-filled high temperature silicone gasketing completely seals optical system from dirt, bugs or other foreign material.

LENS

Thermal shock- and impact-resistant clear tempered glass.

OPTICS

One-piece hydroformed anodized aluminum reflectors provide five different optical distributions and sharp cutoff control. Optional high performance segmented optical modules available. Also available with the "SL" Spill Light Eliminator optic for house side light control.

MOUNTING

Universal mounting clamp concealed in housing fits 1 1/2" to 2 3/8" O.D. horizontal tenons without adapters. Provides a +5° vertical leveling adjustment.

BALLAST

Easily removable high power factor ballast is standard.

FINISH

Standard polyester powder coat finish in bronze. For more color options see optional colors or consult your Streetworks representative for more information.

ORDERING INFORMATION

SAMPLE NUMBER: UCS10SR223D4

PRODUCT FAMILY	LAMP WATTAGE	LAMP TYPE ²	BALLAST TYPE ²	VOLTAGE ²	DISTRIBUTION	OPTIONS + ACCESSORIES (See Below)
UCS=Concourse III	70=70W 10=100W 15=150W ¹ 24=250/400W 25=250W 40=400W 42=400/250W	S=High Pressure Sodium V=Mercury M=Metal Halide ³ R=SMH	H=Reac./HPF N=Hi. Reac./NPF P=Hi. Reac./HPF R=Reac./NPF W=CWA C=CWI K=10KV CWA	2=120V 0=208V 4=240V 7=277V 8=480V W=Multi-Tap wired 120V N=Multi-Tap wired 277V V=Multi-Tap wired 240V	2D=Type II MCO 3D=Type III MCO 4D=Forward Throw 5D=Type V MCO 2S=Type II Segmented 3S=Type III Segmented 4S=Type IV Segmented 5S=Type V Segmented SL=Spill Light Eliminator	

OPTIONS + ACCESSORIES [Must be listed in the order shown and separated by a dash]

- OPTIONS** (add as suffix)
 1=Single Fused, Internally Mounted (120 or 277V)
 2=Double Fused, Internally Mounted (208, 240, or 480V)
 4=Photocontrol Receptacle ⁴
 WH=White
 BK=Black
 AP=Grey
 DP=Dark Platinum
 GM=Graphite Metallic
 H=Plug-in Starter Receptacle
 K=Level Indicator
 P=Button Photocontrol
 U=U.L. Listed
 V=Vandal Shield

- ACCESSORIES** (order separately)
 OA/RA1016=105V-285V Photocontrol
 OA1013=Shorting Cap
 CA11=House Side Shield Type II & III
 CA18=House Side Shield Type IV
 OA1221=TufGuard Vandal Shield

OPTIONAL COLORS [Standard color is bronze, other finish colors available. Consult your Cooper Lighting representative]

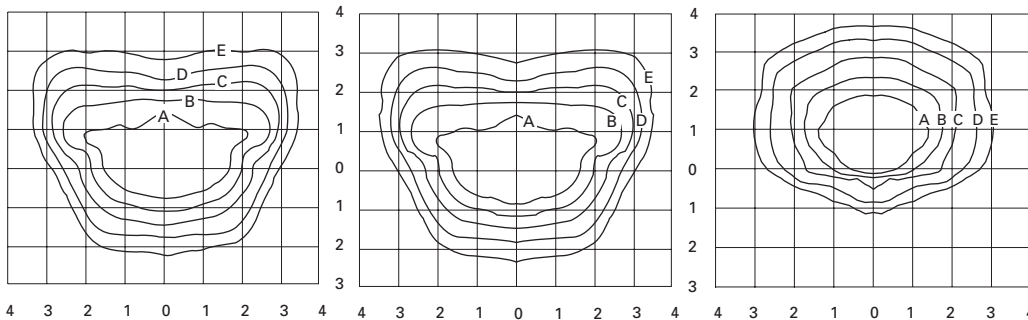
WH White	BK Black	AP Grey	DP Dark Platinum	GM Graphite Metallic

SHIPPING DATA

Approximate Net Weight:
34 lbs. (15.42 kgs.)

NOTE: 1 150W units are for S55 Lamps. 2 Refer to technical section for lamp/ballast/voltage compatibility. 3 Takes ED28 lamp in 400W. 4 Not available with segmented reflectors.

PHOTOMETRICS [Complete IES files available at www.cooperlighting.com]



UCS40S2D.IES
400-Watt HPS
50,000-Lumen Lamp
Type II

UCS40S3D.IES
400-Watt HPS
50,000-Lumen Lamp
Type III

UCS40MSL.IES
400-Watt MH
40,000-Lumen Lamp
SLE-Spill Light Eliminator

FOOTCANDLE TABLE

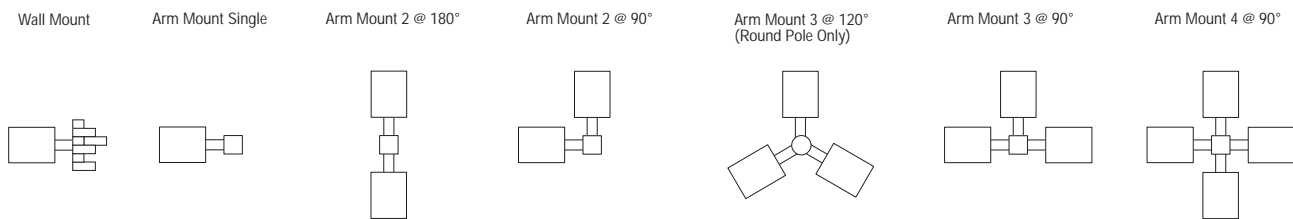
Select mounting height and read across for footcandle values of each isofootcandle line. Distance in units of mounting height.

Mounting Height	Footcandle Values for Isofootcandle Lines				
	A	B	C	D	E
UCS40S2D.IES					
25'	2.88	1.44	0.77	0.38	0.17
30'	2.00	1.00	0.50	0.25	0.10
35'	1.50	0.75	0.37	0.18	0.07

UCS40S3D.IES					
25'	2.88	1.44	0.77	0.38	0.17
30'	2.00	1.00	0.50	0.25	0.10
35'	1.50	0.75	0.37	0.18	0.07

UCS40MSL.IES					
25'	2.88	1.44	0.77	0.38	0.17
30'	2.00	1.00	0.50	0.25	0.10
35'	1.50	0.75	0.37	0.18	0.07

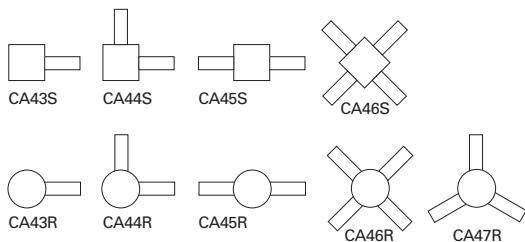
MOUNTING CONFIGURATIONS



UCS	DRILL PATTERN "E"	SINGLE [W/Arm where applicable]					
		2 @ 180°	2 @ 90°	3 @ 90°	3 @ 120°	4 @ 90°	
UCS	"E"	1.1	2.2	2.2	3.1	3.1	3.55

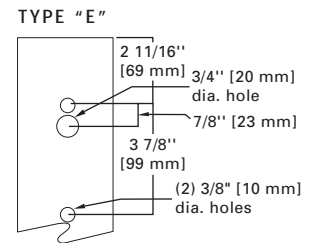
TOP MOUNTING FOR SQUARE AND ROUND POLES [order separately]

Accommodates 2 3/8"—3" O.D. vertical tenons (arm included). Catalog number includes slipfitter and mounting arm(s). Square unit height is 6 1/4". Round unit height is 6 3/4".

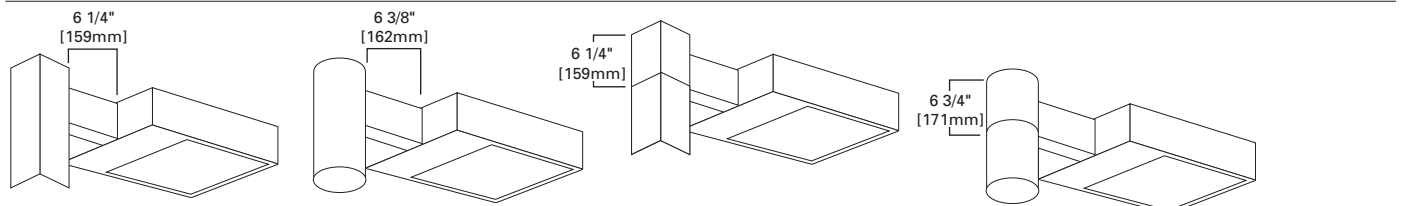


CATALOG NUMBER	E.P.A.	WT. (lbs.)
CA43S	1.2	39
CA44S	2.3	75
CA45S	2.3	75
CA46S	2.3	146
CA43R	1.2	39
CA44R	2.3	75
CA45R	2.3	75
CA46R	2.3	145
CA47R	2.4	111

DRILLING PATTERN



ACCESSORIES + MOUNTING SYSTEMS



Direct Arm Mountings
Square Pole
CA40BZ (E.P.A. .2)

Round Pole
CA41BZ-3" Dia. Pole (E.P.A. .2)
CA42BZ-3 1/2"-4" Dia. Pole (E.P.A. .2)

Pole Top Mountings *
Square Pole
CA43SBZ
CA44SBZ
CA45SBZ
CA46SBZ

Round Pole
CA43RBZ
CA44RBZ
CA45RBZ
CA46RBZ
CA47RBZ

Wall Mount Adapter
CA-14BZ

* For 2 3/8"-3" O.D.

Free Manuals Download Website

<http://myh66.com>

<http://usermanuals.us>

<http://www.somanuals.com>

<http://www.4manuals.cc>

<http://www.manual-lib.com>

<http://www.404manual.com>

<http://www.luxmanual.com>

<http://aubethermostatmanual.com>

Golf course search by state

<http://golfingnear.com>

Email search by domain

<http://emailbydomain.com>

Auto manuals search

<http://auto.somanuals.com>

TV manuals search

<http://tv.somanuals.com>