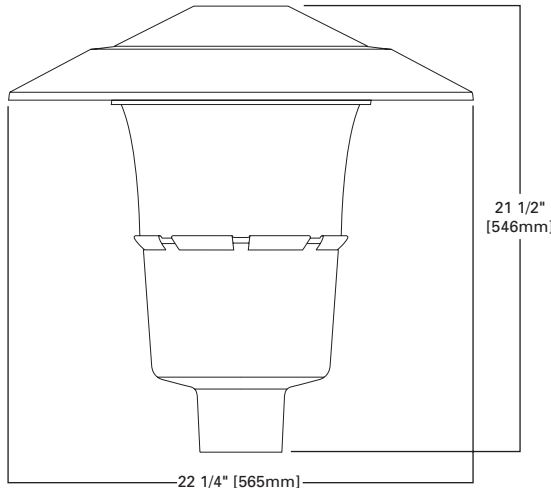


50-250W  
MH/HPS/MERCURY

# MPW WOODBRIDGE

POST-TOP AREA LUMINAIRE



STREETWORKS™

## ORDERING INFORMATION

SAMPLE NUMBER: MPW50SR255

PRODUCT FAMILY	LAMP WATTAGE	LAMP TYPE	BALLAST TYPE	VOLTAGE	DISTRIBUTION	OPTIONS + ACCESSORIES (See Below)
MPW=Woodbridge	50=50W 70=70W 10=100W 15=150W 17=175W 25=250W <sup>1</sup>	M=Metal Halide <sup>2</sup> S=High Pressure Sodium V=Mercury	R=Reac./NPF <sup>3</sup> H=Reac./HPF <sup>3</sup> N=Hi. Reac./NPF P=Hi. Reac./HPF W=CWA K=10KV CWA <sup>4</sup>	2=120V 0=208V 4=240V 7=277V 8=480V 9=347V N=Multi-Tap wired 277V W=Multi-Tap wired 120V P=240/120 PCR	22=Type II 33=Type III 55=Type V	

## HOUSING + TOP

Die-cast aluminum housing with spun and stamped aluminum top. Over-center latch for relamping and ballast power module access. Top is completely removable without the use of tools. Standard color is grey. Other finish colors available. Consult your Streetworks Representative. <sup>1</sup> ANSI wattage/source label.

## REFRACTOR

Injection molded acrylic refractors available in Type II, III or V distributions. Optional glass refractor available.

## SOCKET

Mogul-base socket for 50W through 150W HPS and 175W and 250W MH; 50W through 150W MH is medium-base socket. All sockets are 4KV pulse rated.

## BALLAST

Power module designed for easy removal of all electrical components for servicing by loosening two screws. Encapsulated plug-in starter may be replaced through top access. Two-position tunnel type compression terminal block with housing grounding screw. Removable tethered door assembly for easy access to wiring connections with stainless steel captive screw.

## PHOTOCONTROL

Optional internal NEMA twistlock photocontrol available. Accessible through door assembly.

## MOUNTING

Post top mount fits 3" O.D. tenons. Secured by square head 3/8" stainless steel mounting bolts.

## EPA:

Effective Projective Area: 1.7

## SHIPPING DATA

Approximate Net Weight: 34 lbs. (14 kgs.)

## OPTIONS + ACCESSORIES [Must be ordered in alphanumeric order]

### OPTIONS (add as suffix)

- 1=Single Fuse (120, 277 or 347V)
- 2=Double Fused (208, 240 or 480V)
- 3=Three Place Terminal Block
- 4=Internal NEMA Photocontrol Receptacle
- 5=Top Mount NEMA Photocontrol Receptacle
- WH=White
- BK=Black

- BZ=Bronze
- B=House Side Shield<sup>5</sup>
- P=Polycarbonate Refractor
- S=Scrolls
- U=U.L./CSA Listed
- G=Glass Refractor

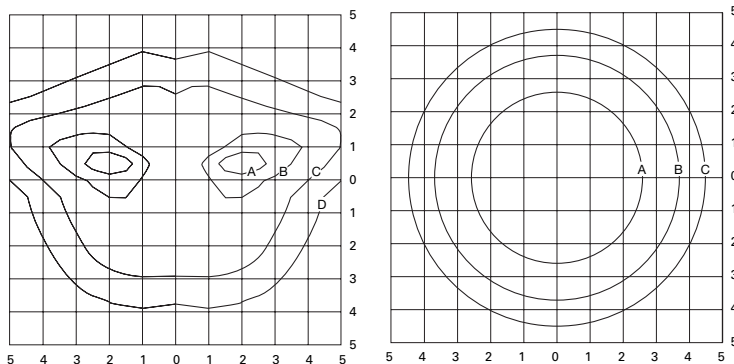
### ACCESSORIES (order separately)

- OA1202=House Side Shield

## OPTIONAL COLORS [Standard color is grey, other finish colors available. Consult your Cooper Lighting representative]



## PHOTOMETRICS [Complete IES files available at www.cooperlighting.com]



### MPW15S33. IES

150-Watt HPS  
16,000-Lumen Lamp  
Type III

### MPW15S55. IES

150-Watt HPS  
16,000-Lumen Lamp  
Type V

## FOOTCANDLE TABLE

Select mounting height and read across for footcandle values of each isofootcandle line. Distance in units of mounting height.

Mounting Height	Footcandle Values for Isofootcandle Lines			
	A	B	C	D
<b>MPW15S33. IES</b>				
12'	1.56	0.78	0.31	0.16
15'	1.00	0.50	0.20	0.10
18'	0.69	0.35	0.13	0.07
<b>MPW15S55. IES</b>				
12'	0.78	0.31	0.15	
15'	0.50	0.20	0.10	
18'	0.34	0.13	0.06	

NOTE: 1 Metal Halide only. 2 50W through 150W MH are medium-base socket. All others are mogul-base. 3 120 volt only. 4 50W through 150W HPS only. 5 Order OA1202 for field installation.

## Free Manuals Download Website

<http://myh66.com>

<http://usermanuals.us>

<http://www.somanuals.com>

<http://www.4manuals.cc>

<http://www.manual-lib.com>

<http://www.404manual.com>

<http://www.luxmanual.com>

<http://aubethermostatmanual.com>

Golf course search by state

<http://golfingnear.com>

Email search by domain

<http://emailbydomain.com>

Auto manuals search

<http://auto.somanuals.com>

TV manuals search

<http://tv.somanuals.com>