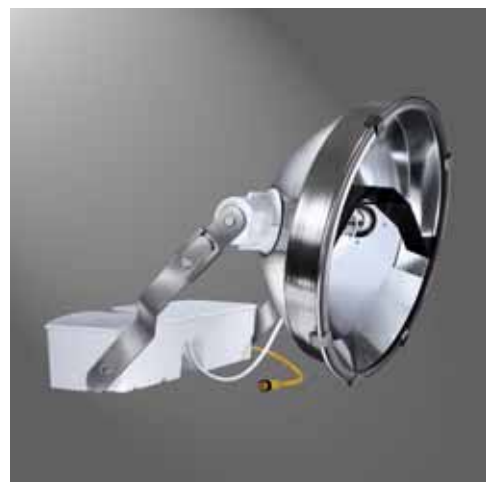
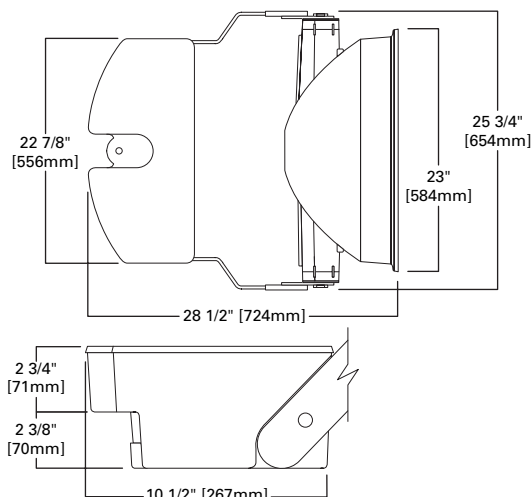


1000-1500W MH

# AS ALLSTAR

SPORTS FLOODLIGHTING



STREETWORKS™

### ORDERING INFORMATION

SAMPLE NUMBER: MHAS-MS-1500-480V-U3

LAMP TYPE	SERIES	DISTRIBUTION	INTERNAL LOUVERS	LAMP WATTAGE <sup>1</sup>	VOLTAGE <sup>2</sup>	OPTIONS (See Below)
MH=Metal Halide	AS=ALLSTAR Sports Floodlight	N=Narrow M=Medium W=Wide	=None S=Spill Light Control Louvers	1000=1000W 1500=1500W	120V 208V 240V 277V 347V 480V MT=Multi-Tap wired 277V <sup>3</sup> TT=Triple-Tap wired 347V <sup>3</sup> 220/50HZ	

### BALLAST HOUSING

Rugged die-cast aluminum ballast housing finished in corrosion resistant white polyester powder coat. Transverse mounting with cast-in horizontal aiming protractor and single bolt mounting.

### BALLAST COMPARTMENT

Isolated components for coolest component operation and extended component life. Ballast is rated to start and operate lamp in ambient temperatures down to -20° C.

### VERTICAL FIXED AIMING

Stainless steel mounting arms feature separate vertical aiming pivot bolts and rear re-aiming hinge bolts prevent mis-aiming and provide permanent fixed aiming. Aiming degree markers on both sides of the optical allow for easy pre-aiming on the ground or after installation.

### SOCKET CASTING

Die-cast aluminum socket castings are sealed with a high temperature silicone gasket to keep out contaminant's.

### REFLECTOR AND INTERNAL GLARE/SPILL LIGHT CONTROL

Computer designed spun aluminum reflectors feature optional internal glare/spill light control louvers for maximum lighting control without unwanted glare and light trespass. Horizontal optics feature standard BT56 mogul base lamps for safe, reliable operation.

### LENS/DOOR FRAME

1/8" tempered, heat- and shock-resistant glass lens is sealed with high temperature silicone gasket to protect optics from dirt and contaminant's and is mounted in hinged stainless steel door frame with stainless steel latches.

### EPA:

Effective Projective Area: 2.9

### SHIPPING DATA

Approximate Net Weight: 73 lbs. (33 kgs.)

### OPTIONS [Must be listed in the order shown and separated by a dash]

OPTIONS (add as suffix)

F1=Single Fuse (120, 277 or 347V)

F2=Double Fused (208, 240 or 480V)

HD=Heavy-Duty Shroud

Q=Quartz Restrike DC Bayonet Base (Does not strike at cold start)

EM=Quartz Restrike Cold Start Time Delay

RQ=Remote Quartz <sup>3</sup>

RT=Remote Quartz Cold Start Time Delay <sup>3</sup>

HC=LumaWatt Fixture Module <sup>4</sup>

C3=3' Cord, Prewired (Specify Voltage)

C6=6' Cord, Prewired (Specify Voltage)

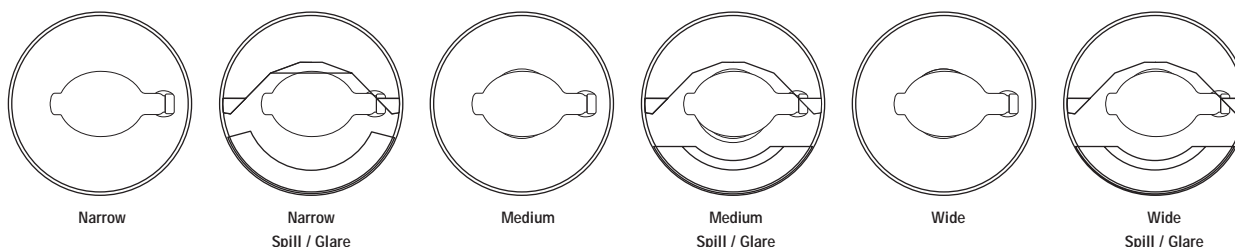
U3=3' USL Water Tight Cord & Plug for USL System (Specify Voltage)

TV=Top Visor (Black Polyester Powder Coated)

### PHOTOMETRICS [Complete IES files available at www.cooperlighting.com]

Distribution	Lamp Type	Beam Spread H x V
Narrow	1000-1650W Metal Halide	40° x 15°
Medium	1000-1650W Metal Halide	56° x 45°
Wide	1000-1650W Metal Halide	72° x 75°

### DISTRIBUTION



NOTES: 1 All lamps are mogul-base. Lamp not included. 2 Products also available in non-US voltages and 50 Hz for international markets. Consult your Streetworks Representative for additional information. 3 Wiring pulled for remote 1000 watt Max. Quartz Flood. 4 1000 & 1500W MH only

## Free Manuals Download Website

<http://myh66.com>

<http://usermanuals.us>

<http://www.somanuals.com>

<http://www.4manuals.cc>

<http://www.manual-lib.com>

<http://www.404manual.com>

<http://www.luxmanual.com>

<http://aubethermostatmanual.com>

Golf course search by state

<http://golfingnear.com>

Email search by domain

<http://emailbydomain.com>

Auto manuals search

<http://auto.somanuals.com>

TV manuals search

<http://tv.somanuals.com>