

MEM/CEM EPIC MEDIUM

DECORATIVE AREA COLLECTION

50-175W
MH/HPS/QL

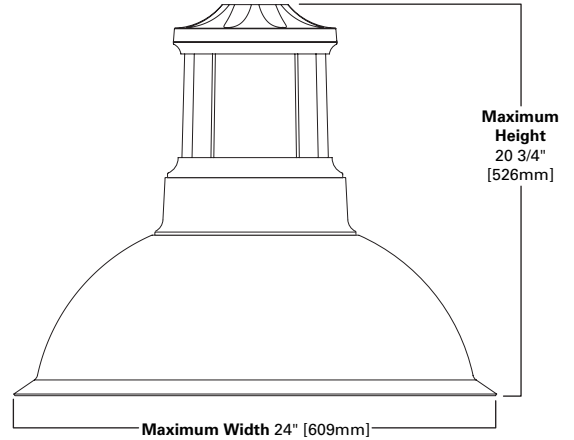


STREETWORKS™

IP65 RATED



NOTE: In all flat glass and solid mid sections configurations only.



NOTE: See MEM/CEM configurations on opposite page for more detailed information.

TOP

Cast aluminum housing maintains sidewall thickness and attaches to mounting arm hub with four (4) stainless steel fasteners.

MIDSECTION

Milky white acrylic lens utilizes continuous silicone gaskets to seal lens to top casting and shade. Optional colored luminous rings are available.

SHADES

Heavy gauge precision spun aluminum shades offer superior surface finish and consistency in form.

DOORFRAME ASSEMBLY

Die-cast aluminum 1/8" thick door and doorframe seal to underside of shade with a thick wall continuous silicone gasket.

OPTICAL SYSTEMS

Choice of five (5) high efficiency segmented optical systems constructed of premium 95% reflective anodized aluminum sheet.

ELECTRICAL TRAY

Ballast and related electrical components are mounted to a reinforced one piece tray with integral handle. Quick disconnect wiring plugs allow easy tray removal during routine maintenance.

FINISH

Housing finished in a 5 stage premium TGIC polyester powder coat paint, 2.5 mil nominal thickness for superior protection against fade and wear. Standard colors include black, bronze, grey, white, dark platinum, graphite metallic, and hartford green. RAL and custom color matches available. Consult your Streetworks Representative.

EPA:

Effective Projective Area:
Flat Lens .94
Sag Lens 1.04

SHIPPING DATA

Approximate Net Weight:
37 lbs. (17 kgs.)

ORDERING INFORMATION

SAMPLE NUMBER: MEM17MWW2SXS NBK

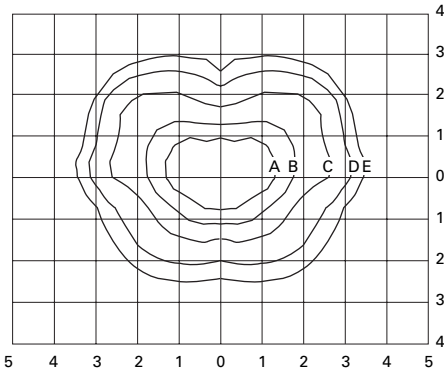
PRODUCT FAMILY ¹	LAMP WATTAGE ²	LAMP TYPE ⁴	BALLAST TYPE ⁴	VOLTAGE ⁴	DISTRIBUTION MA=Milk White Acrylic Jar ^{5,6}	MID SECTION TYPE	SHADE TYPE	COLOR (add as suffix/ must specify) ⁸	OPTIONS + ACCESSORIES (See Below)
MEM=Modern Epic Medium	50=50W 70=70W 10=100W	M=Metal Halide S=High Pressure Sodium Q=Induction	C=CWI H=Reac./HPF K=10KV CWA N=Hi. Reac./NPF P=Hi. Reac./HPF R=Reac./NPF W=CWA I=Induction	2=120V 0=208V 4=240V 7=277V 8=480V 9=347V K=120/277V L=277/120V N=Multi-Tap W=Multi-Tap	2S=Type II 3R=Type III Glass ⁶ 3S=Type III Glass ⁶ 4S=Type IV Glass ⁶ 5R=Type V Glass ⁶ 5S=Type V Spill Light Eliminator ⁷	1=Window 2=Louvered 3=Slot 4=Solid Rings 5=Luminous Rings 6=Luminous Rings—Red 7=Luminous Rings—Bright Blue 8=Luminous Rings—Deep Green 9=Luminous Rings—Warm Orange	SN=Straight Narrow SW=Straight Wide BL=Bell FL=Flute	AP=Grey BK=Black BZ=Bronze DP=Dark Platinum GM=Graphite Metallic GN=Hartford Green WH=White	
CEM=Classic Epic Medium	15=150W 17=175W								
	Electrodeless Fluorescent ³ 55=55W 85=85W					Optional Mid Section Type			

OPTIONS + ACCESSORIES [Must be listed in the order shown and separated by a dash]

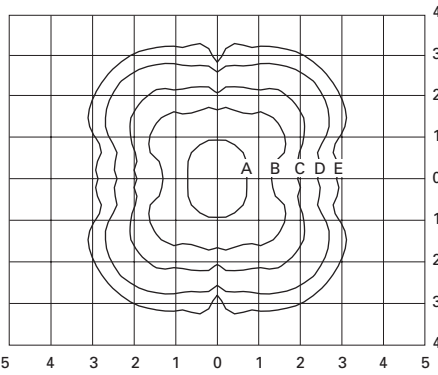
OPTIONS (add as suffix)	SA6112-XX=MEM Traditional Single Pole Mount Arm with 45° Upper Bar	SA6161-XX=CEM Traditional Single Pole Mount Arm with 45° Upper Bar
1=Single Fuse	SA6113-XX=MEM Traditional Single Pole Mount Arm with 45° Lower Bar ¹²	SA6162-XX=CEM Traditional Single Pole Mount Arm with 45° Lower Bar ¹²
2=Double Fuse	SA6114-XX=MEM Traditional Single Pole Mount Arm with 45° Upper Strap	SA6163-XX=CEM Traditional Single Pole Mount Arm with 45° Upper Strap
C=Emergency Quartz—Separate Circuit*	SA6116-XX=MEM Traditional Twin Pole Mount Arm with Rounded Upper Bars	SA6165-XX=CEM Traditional Twin Pole Mount Arm with Rounded Upper Bars
E=Emergency Quartz with Time Delay*	SA6117-XX=MEM Traditional Twin Pole Mount Arm with Rounded Lower Bars ¹²	SA6166-XX=CEM Traditional Twin Pole Mount Arm with Rounded Lower Bars ¹²
F=Frosted Flat Glass	SA6118-XX=MEM Traditional Twin Pole Mount Arm with 45° Upper Bars	SA6167-XX=CEM Traditional Twin Pole Mount Arm with 45° Upper Bars
H=House Side Shield ¹⁰	SA6119-XX=MEM Traditional Twin Pole Mount Arm with 45° Upper Bars ¹²	SA6168-XX=CEM Traditional Twin Pole Mount Arm with 45° Upper Bars ¹²
L=Lamp Included	SA6120-XX=MEM Traditional Twin Pole Mount Arm with 45° Lower Bars ¹²	SA6169-XX=CEM Traditional Twin Pole Mount Arm with 45° Lower Bars ¹²
Q=Quartz Standby*	SA6121-XX=MEM Traditional Twin Pole Mount Arm with 45° Upper Straps	SA6170-XX=CEM Traditional Twin Pole Mount Arm with 45° Upper Straps
R=Frosted Sag Glass	SA6122-XX=MEM Tenon Adapter for 2 3/8" O.D. Horizontal Tenon	SA6172-XX=CEM Tenon Adapter for 2 3/8" O.D. Horizontal Tenon
V=Vandal Shield (100W Max.)		
W=Wire Guard		
S=Sag Glass		
M=Mogul-Base Socket		
PMT=Post Mount Tenon		
PM-PCR=NEMA Type Photocontrol Receptacle (Post Mount Only)		
NG=No Glow Luminous Mid Section ¹¹		
	CEM Modern Epic Medium Arms [see page 14-15 for details on arm accessories] SA6154-XX=CEM Bishop Single Pole Mount Arm SA6155-XX=CEM Bishop Single Pole Mount Arm with Cross Rod SA6156-XX=CEM Bishop Twin Pole Mount Arm SA6157-XX=CEM Bishop Twin Pole Mount Arm with Cross Rods SA6158-XX=CEM Traditional Single Pole Mount Arm SA6159-XX=CEM Traditional Single Pole Mount Arm with Rounded Upper Bar SA6160-XX=CEM Traditional Single Pole Mount Arm with Rounded Lower Bar ¹²	ACCESSORY OPTIONS (add as suffix to accessory) M=Modern Final ¹³ A=Architectural Final ¹³ N=Nostalgic Final ¹³ 4=NEMA Twistlock Photocontrol Receptacle ¹⁴

NOTE: 1 Arms not included. Order Separately. See accessories. 2 All HID lamps are medium-base. 3 Electrodeless Fluorescent QL lamp only. Available in vertically lamped optical systems only. 120V only. 4 Refer to technical section for lamp/ballast/voltage compatibility. 5 Maximum wattage of 100W HID. 6 Vertical Lamp Only. 7 SLE only available with Solid Mid selection or with NG option. 8 Custom and RAL color matching available upon request. Consult your Cooper Lighting Representative for more information. 9 Quartz options not available on SL optic or vertical lamped optical systems. 10 House side shields available on horizontally lamped 2S, 3S, and 4S optical systems only. 11 NG option retains daytime appeal of window, louvered, slot, solid rings, or luminous rings mid section styles, but does not allow light into the upper chamber of the housing. Mid section will not glow at night, maintaining the cutoff control associated with the standard solid mid section. 12 Requires use of 4" O.D. round straight pole. 13 Traditional Arm Only. 14 Not compatible with finials.

PHOTOMETRICS [Complete IES files available at www.cooperlighting.com]



MEM17M3SX.IES
175-Watt MH
14,000-Lumen Clear ED-17 Lamp
Segmented Type III



MEM17M5SX.IES
175-Watt MH
14,000-Lumen Clear ED-17 Lamp
Segmented Type V

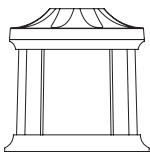
FOOTCANDLE TABLE

Select mounting height and read across for footcandle values of each isofootcandle line. Distance in units of mounting height.

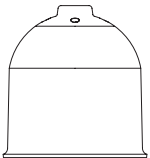
Mounting Height	Footcandle Values for Isofootcandle Lines				
	A	B	C	D	E
MEM17M3SX.IES					
10'	8.00	4.00	2.00	0.80	0.40
15'	3.40	1.70	0.85	0.34	0.17
20'	2.00	1.00	0.50	0.20	0.10
MEM17M5SX.IES					
10'	8.00	4.00	2.00	0.80	0.40
15'	3.40	1.70	0.85	0.34	0.17
20'	2.00	1.00	0.50	0.20	0.10

CONFIGURATIONS

HOUSING



Classical - 8.6"H x 8.7"W



Modern - 9.3" H x 8.8" W

MID SECTION



Solid - 3.4"H x 9.9"W



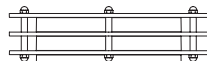
Window - 3.4"H x 9.9"W



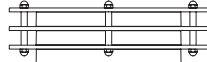
Louvered - 3.4"H x 9.9"W



Slot - 3.4"H x 9.9"W

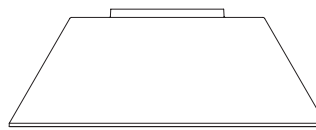


Solid Rings - 3.4"H x 12"W



Luminous Rings - 3.4"H x 12"W

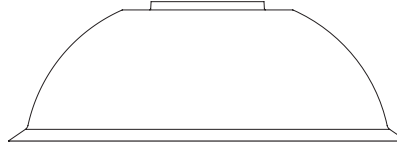
SHADE



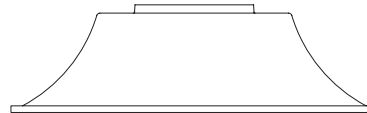
Straight Narrow - 6.6"H x 19.1"W



Straight Wide - 5.1"H x 23.9"W

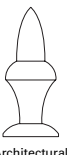


Bell - 8"H x 24"W



Flute - 6"H x 22.5"W

FINIALS



Architectural



Modern



Nostalgic

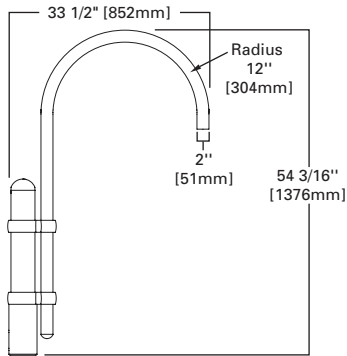
OPTIONAL COLORS [Other finish colors available. Consult your Cooper Lighting representative]



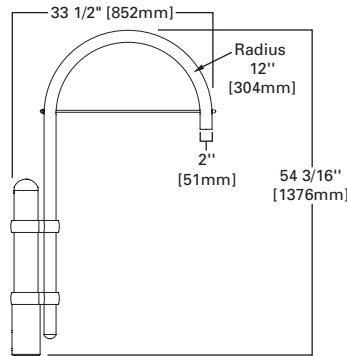
EPIC COLLECTION ARMS

DECORATIVE AREA COLLECTION

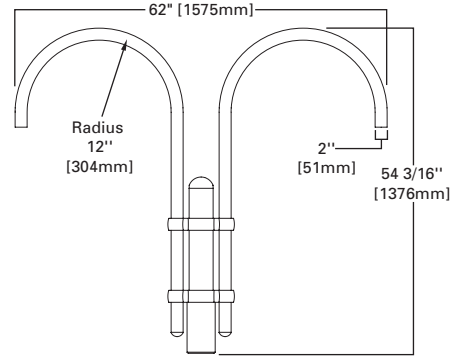
ARMS SPECIFICATIONS



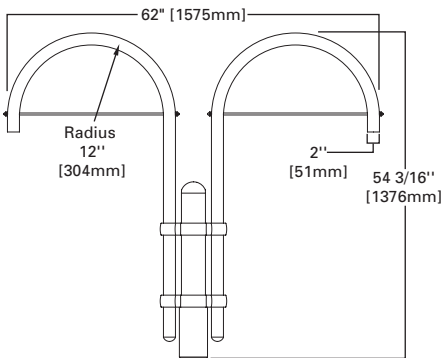
BISHOP SINGLE POLE MOUNT ARM
 [SA6105, SA6154, SA6005, SA6054]
 Slipfits over 4" round straight pole, or 4" O.D. by 6" tall tenon.
Weight: 24 lbs. **E.P.A.:** .92



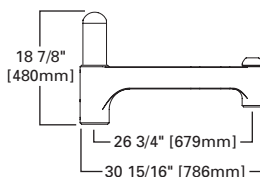
BISHOP SINGLE POLE MOUNT ARM WITH CROSS ROD
 [SA6106, SA6155, SA6006, SA6055]
 Slipfits over 4" round straight pole, or 4" O.D. by 6" tall tenon.
Weight: 25 lbs. **E.P.A.:** .98



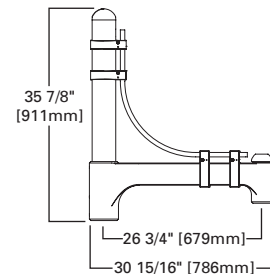
BISHOP TWIN POLE MOUNT ARM
 [SA6107, SA6156, SA6007, SA6056]
 Slipfits over 4" round straight pole, or 4" O.D. by 6" tall tenon.
Weight: 37 lbs. **E.P.A.:** 1.43



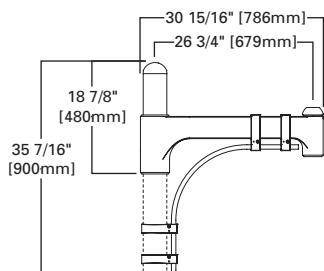
BISHOP TWIN POLE MOUNT ARM WITH CROSS RODS
 [SA6108, SA6157, SA6008, SA6057]
 Slipfits over 4" round straight pole, or 4" O.D. by 6" tall tenon.
Weight: 39 lbs. **E.P.A.:** 1.55



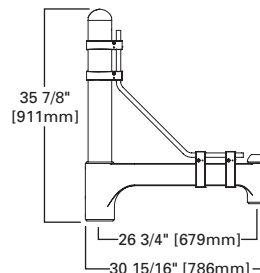
TRADITIONAL SINGLE POLE MOUNT ARM
 [SA6109, SA6158, SA6009, SA6058]
 Slipfits over 4" round straight pole, or 4" O.D. by 6" tall tenon.
Weight: 20 lbs. **E.P.A.:** .86



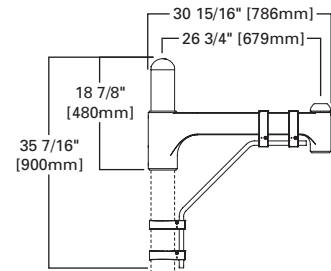
TRADITIONAL SINGLE POLE MOUNT ARM WITH ROUNDED UPPER BAR
 [SA6110, SA6159, SA6010, SA6059]
 Slipfits over 4" round straight pole, or 4" O.D. by 6" tall tenon.
Weight: 28 lbs. **E.P.A.:** 1.4



TRADITIONAL SINGLE POLE MOUNT ARM WITH ROUNDED LOWER BAR
 [SA6111, SA6160, SA6011, SA6060]
 Slipfits over 4" round straight pole, or 4" O.D. by 6" tall tenon. Requires use of 4" O.D. Round Straight Pole
Weight: 25 lbs. **E.P.A.:** 1.16

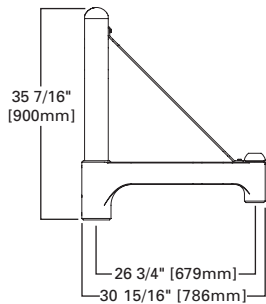


TRADITIONAL SINGLE POLE MOUNT ARM WITH 45° UPPER BAR
 [SA6112, SA6161, SA6012, SA6061]
 Slipfits over 4" round straight pole, or 4" O.D. by 6" tall tenon.
Weight: 28 lbs. **E.P.A.:** 1.38

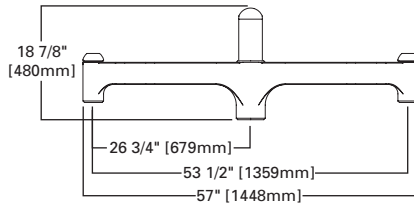


TRADITIONAL SINGLE POLE MOUNT ARM WITH 45° LOWER BAR
 [SA6113, SA6162, SA6013, SA6062]
 Slipfits over 4" round straight pole, or 4" O.D. by 6" tall tenon. Requires use of 4" O.D. Round Straight Pole
Weight: 25 lbs. **E.P.A.:** 1.14

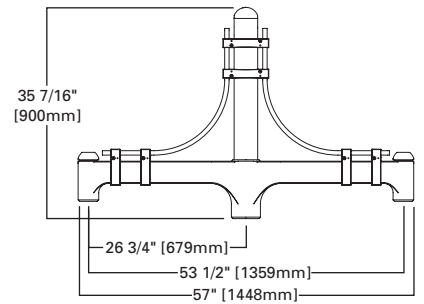
ARMS SPECIFICATIONS (CON'T.)



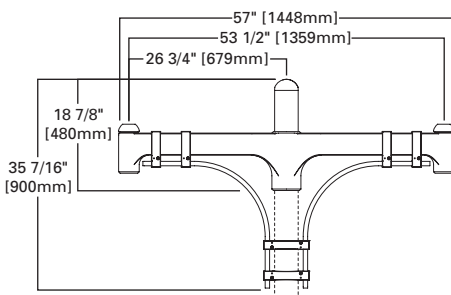
TRADITIONAL SINGLE POLE MOUNT ARM WITH 45° UPPER STRAP
 [SA6114, SA6163, SA6014, SA6063]
 Slipfits over 4" round straight pole, or 4" O.D. by 6" tall tenon.
Weight: 24 lbs. **E.P.A.:** 1.17



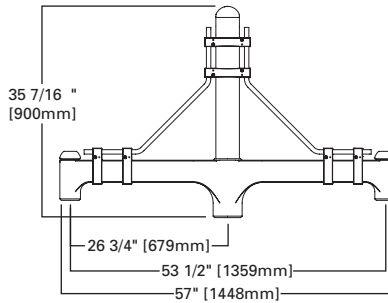
TRADITIONAL TWIN POLE MOUNT ARM
 [SA6116, SA6165, SA6016, SA6065]
 Slipfits over 4" round straight pole, or 4" O.D. by 6" tall tenon.
Weight: 30 lbs. **E.P.A.:** 1.44



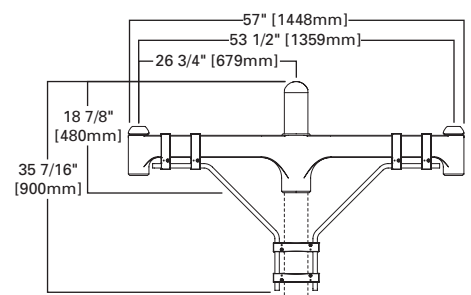
TRADITIONAL TWIN POLE MOUNT ARM WITH ROUNDED UPPER BARS
 [SA6117, SA6166, SA6017, SA6066]
 Slipfits over 4" round straight pole, or 4" O.D. by 6" tall tenon.
Weight: 43 lbs. **E.P.A.:** 2.28



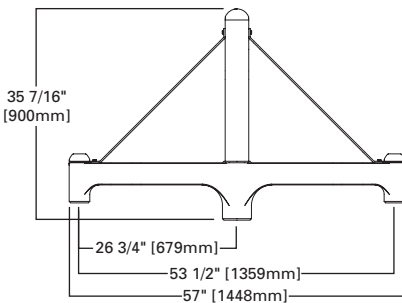
TRADITIONAL TWIN POLE MOUNT ARM WITH ROUNDED LOWER BARS
 [SA6118, SA6167, SA6018, SA6067]
 Slipfits over 4" round straight pole, or 4" O.D. by 6" tall tenon. Requires use of 4" O.D. Round Straight Pole
Weight: 40 lbs. **E.P.A.:** 2.04



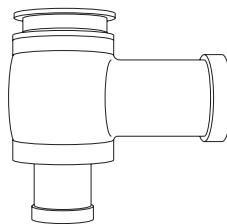
TRADITIONAL TWIN POLE MOUNT ARM WITH 45° UPPER BARS
 [SA6119, SA6168, SA6019, SA6068]
 Slipfits over 4" round straight pole, or 4" O.D. by 6" tall tenon.
Weight: 43 lbs. **E.P.A.:** 2.24



TRADITIONAL TWIN POLE MOUNT ARM WITH 45° LOWER BARS
 [SA6120, SA6169, SA6020, SA6069]
 Slipfits over 4" round straight pole, or 4" O.D. by 6" tall tenon. Requires use of 4" O.D. Round Straight Pole
Weight: 40 lbs. **E.P.A.:** 2.0



TRADITIONAL TWIN POLE MOUNT ARM WITH 45° UPPER STRAPS
 [SA6121, SA6170, SA6021, SA6070]
 Slipfits over 4" round straight pole, or 4" O.D. by 6" tall tenon.
Weight: 37 lbs. **E.P.A.:** 1.81



TENON ADAPTER
 [SA6022, SA6071, SA6122, SA6172]
 Attaches to a 2 3/8" O.D. horizontal tenon.
Weight: 4 lbs. **E.P.A.:** .08

Free Manuals Download Website

<http://myh66.com>

<http://usermanuals.us>

<http://www.somanuals.com>

<http://www.4manuals.cc>

<http://www.manual-lib.com>

<http://www.404manual.com>

<http://www.luxmanual.com>

<http://aubethermostatmanual.com>

Golf course search by state

<http://golfingnear.com>

Email search by domain

<http://emailbydomain.com>

Auto manuals search

<http://auto.somanuals.com>

TV manuals search

<http://tv.somanuals.com>