

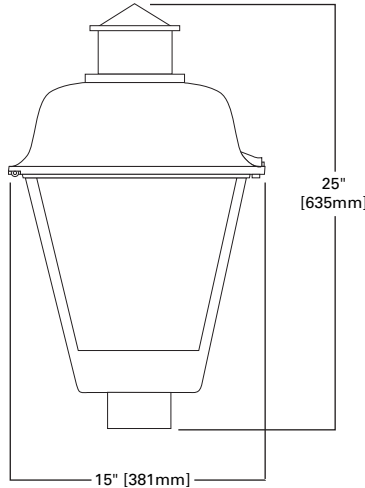
# LXT TRADITIONAL TOP LEXINGTON

70-175W  
MH/HPS/MERCURY

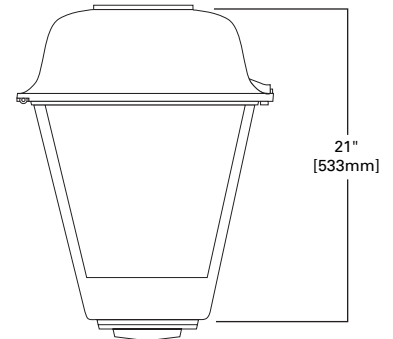
DECORATIVE LUMINAIRE



STREETWORKS™



OPTIONAL PENDANT MOUNT



**HOUSING**

Die-cast aluminum base housing. Standard color is black. Other finish colors available. Consult your Streetworks Representative. 1" ANSI wattage/source label.

**TOP**

Hinged die-cast aluminum top with cupola cover.

**REFRACTOR**

Injection molded acrylic refractor panels.

**SOCKET POSITION**

Vertical socket position is mogul-base porcelain socket (Type V). 50-150W MH is medium-base socket standard. Horizontal socket position is mogul-base porcelain socket (Type III, field adjustable). 50-150W MH is medium-base socket standard.

**SCREWS**

Captive retaining screw.

**STARTER**

Plug-in starter.

**TERMINAL BLOCK**

Terminal block standard.

**MOUNTING**

Self-aligning pole-top fitter fits 2 3/8" and 3" O.D. tenons. Square headed 1 1/4" polymer coated mounting bolts.

**ORDERING INFORMATION**

**SAMPLE NUMBER:** LXT70SR2554

**PRODUCT FAMILY**  
LXT=Traditional Top  
Lexington

**LAMP WATTAGE<sup>1</sup>**  
70=70W  
10=100W  
15=150W  
17=175W

**LAMP TYPE<sup>1</sup>**  
S=High Pressure Sodium  
V=Mercury  
M=Metal Halide<sup>2</sup>

**BALLAST TYPE<sup>1</sup>**  
H=Reac./HPF  
N=Hi. Reac./NPF  
P=Hi. Reac./HPF  
R=Reac./NPF  
W=CWA

**VOLTAGE<sup>1</sup>**  
2=120V  
0=208V  
4=240V  
7=277V  
8=480V  
9=347V  
P=240 w/PCR wired 120V  
W=Multi-Tap Wired 120V  
N=Multi-Tap Wired 277V  
V=Multi-Tap Wired 240V

**DISTRIBUTION**  
22=Type II  
33=Type III<sup>3</sup>  
44=Type IV  
55=Type V

**OPTIONS**  
(See Below)

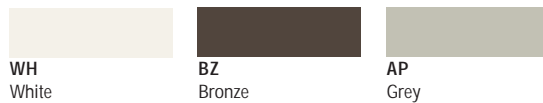
**OPTIONS** [Must be ordered in alphanumeric order]

**OPTIONS** (add as suffix)

1=Single Fused, Internally Mounted (120 or 277V)  
2=Double Fused, Internally Mounted (208, 240 or 480V)  
4=Photocontrol Receptacle  
WH=White  
BZ=Bronze  
AP=Grey

S=Snap Latches for Toolless Lamp Replacement  
B=House Side Shield  
P=Polycarbonate Lens Panels  
T=3/4" Pendant Mount Provision  
U=UL/CSA Listed  
N=NEMA Ballast Bracket<sup>4</sup>

**OPTIONAL COLORS** [Standard color is black, other finish colors available. Consult your Cooper Lighting representative]



**EPA:**

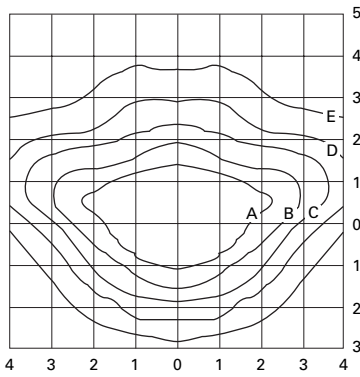
Effective Projective Area: 1.7

**SHIPPING DATA**

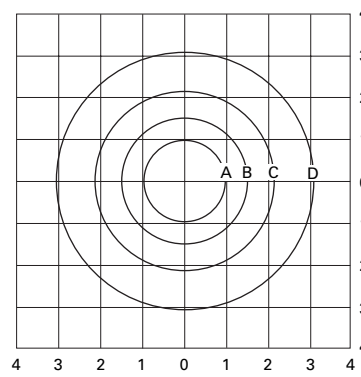
Approximate Net Weight:  
25 lbs. (11 kgs.)

**NOTE:** 1 Refer to technical section for lamp/ballast/voltage compatibility. 2 50-150W Metal Halide is medium-base socket standard. 3 Requires use of coated lamp to achieve Type III distribution. 4 Available in Reactor HPF and NPF. For Hi Reactance or CWA availability consult your Streetworks representative.

PHOTOMETRICS [Complete IES files available at [www.cooperlighting.com](http://www.cooperlighting.com)]



**LXT15S33.IES**  
 150-Watt HPS  
 16,000-Lumen Lamp  
 Type III



**LXT15S55.IES**  
 150-Watt HPS  
 16,000-Lumen Lamp  
 Type V

**FOOTCANDLE TABLE**

Select mounting height and read across for footcandle values of each isofootcandle line. Distance in units of mounting height.

Mounting Height	Footcandle Values for Isofootcandle Lines				
	A	B	C	D	E
<b>LXT15S33.IES</b>					
10'	2.88	1.44	0.72	0.36	0.28
12'	2.00	1.00	0.50	0.25	0.10
14'	1.50	0.75	0.37	0.18	0.07
<b>LXT15S55.IES</b>					
10'	1.44	0.72	0.36	0.28	
12'	1.00	.50	0.25	0.10	
14'	0.75	0.37	0.18	0.07	

## Free Manuals Download Website

<http://myh66.com>

<http://usermanuals.us>

<http://www.somanuals.com>

<http://www.4manuals.cc>

<http://www.manual-lib.com>

<http://www.404manual.com>

<http://www.luxmanual.com>

<http://aubethermostatmanual.com>

Golf course search by state

<http://golfingnear.com>

Email search by domain

<http://emailbydomain.com>

Auto manuals search

<http://auto.somanuals.com>

TV manuals search

<http://tv.somanuals.com>