

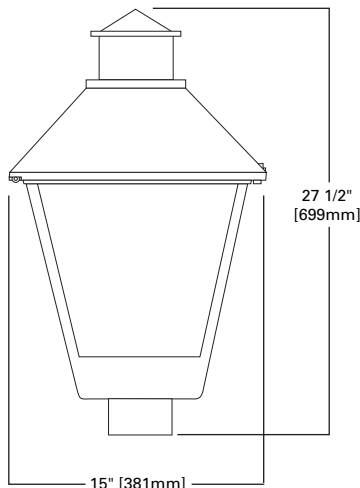
# LXF LEXINGTON

DECORATIVE LUMINAIRE

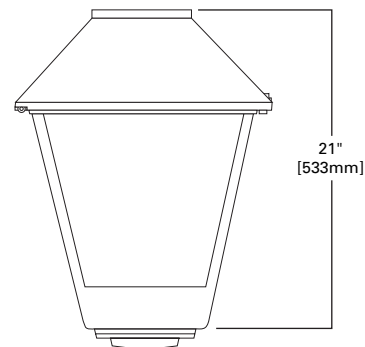
50-175W  
MH/HPS/MERCURY



STREETWORKS™



PENDANT MOUNT



**HOUSING**

Die-cast aluminum base housing. Standard color is black. Other finish colors available. Consult your Streetworks Representative. 1" ANSI wattage/source label.

**TOP**

Hinged die-cast aluminum top with cupola cover.

**REFRACTOR**

Injection molded acrylic refractor panels.

**VERTICAL SOCKET**

Mogul-base porcelain socket (Type V). 50-150W MH is medium-base socket standard.

**SCREWS**

Captive retaining screw.

**STARTER**

Plug-in starter.

**MOUNTING**

Self-aligning pole-top filler fits 2 3/8" and 3" O.D. tenons. Square headed 1 1/4" polymer coated mounting bolts.

**HORIZONTAL SOCKET**

Mogul-base porcelain socket (Type III, field adjustable). 50-150W MH is medium-base socket standard.

**TERMINAL BLOCK**

Terminal block standard.

**ORDERING INFORMATION**

**SAMPLE NUMBER:** LXF70SR2554

PRODUCT FAMILY	LAMP WATTAGE <sup>1</sup>	LAMP TYPE <sup>1</sup>	BALLAST TYPE <sup>1</sup>	VOLTAGE <sup>1</sup>	REFRACTOR TYPE	OPTIONS (See Below)
LXF=Lexington	50=50W 70=70W 10=100W 15=150W 17=175W	S=High Pressure Sodium V=Mercury M=Metal Halide <sup>2</sup>	N=Hi. React./NPF P=Hi. React./HPF R=React./NPF W=CWA H=React./HPF	2=120V 0=208V 4=240V 7=277V 8=480V 9=347V P=240 w/PCR wired 120V W=Multi-Tap Wired 120V N=Multi-Tap Wired 277V V=Multi-Tap Wired 240V	22=Type II 33=Type III <sup>3</sup> 44=Type IV 55=Type V	


**OPTIONS** [Must be ordered in alphanumeric order]

**OPTIONS** (add as suffix)

- 1=Single Fused, Internally Mounted (120 or 277V)
- 2=Double Fused, Internally Mounted (208, 240 or 480V)
- 4=Photocontrol Receptacle
- WH=White
- BZ=Bronze
- AP=Grey

- S=Snap Latches for Toolless Lamp Replacement
- B=House Side Shield
- P=Polycarbonate Lens Panels
- T=3/4" Pendant Mount Provision
- U=UL/CSA Listed
- N=NEMA Ballast Bracket<sup>4</sup>

**OPTIONAL COLORS** [Standard color is black, other finish colors available. Consult your Cooper Lighting representative]

		
WH White	BZ Bronze	AP Grey

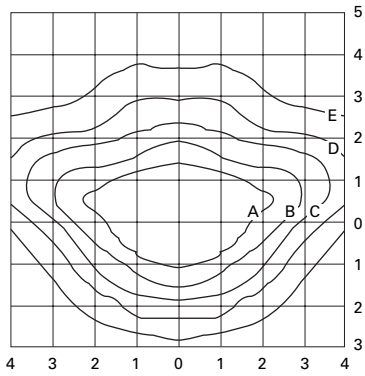
**EPA:**

Effective Projective Area: 1.7

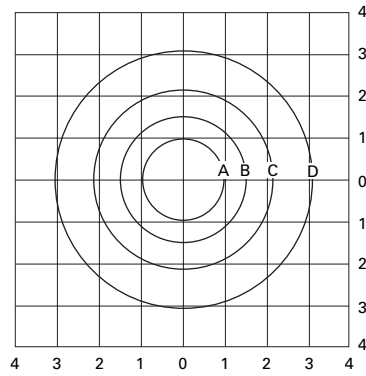
**SHIPPING DATA**

Approximate Net Weight:  
25 lbs. (11 kgs.)

**NOTE:** 1 Refer to technical section for lamp/ballast/voltage compatibility. 2 Medium-base porcelain socket standard 150W and below. 3 Requires use of coated lamp to achieve Type III distribution. 4 Available in Reactor HPF and NPF. For Hi Reactance or CWA availability consult your Streetworks representative.



**LXF15S33.IES**  
 150-Watt HPS  
 16,000-Lumen Lamp  
 Type III



**LXF15S55.IES**  
 150-Watt HPS  
 16,000-Lumen Lamp  
 Type V

**FOOTCANDLE TABLE**

Select mounting height and read across for footcandle values of each isofootcandle line. Distance in units of mounting height.

Mounting Height	Footcandle Values for Isofootcandle Lines				
	A	B	C	D	E
<b>LXF15S33.IES</b>					
10'	2.88	1.44	0.72	0.36	0.28
12'	<b>2.00</b>	<b>1.00</b>	<b>0.50</b>	<b>0.25</b>	<b>0.10</b>
14'	1.50	0.75	0.37	0.18	0.07
<b>LXF15S55.IES</b>					
10'	1.44	0.72	0.36	0.28	
12'	<b>1.00</b>	<b>0.50</b>	<b>0.25</b>	<b>0.10</b>	
14'	0.75	0.37	0.18	0.07	

## Free Manuals Download Website

<http://myh66.com>

<http://usermanuals.us>

<http://www.somanuals.com>

<http://www.4manuals.cc>

<http://www.manual-lib.com>

<http://www.404manual.com>

<http://www.luxmanual.com>

<http://aubethermostatmanual.com>

Golf course search by state

<http://golfingnear.com>

Email search by domain

<http://emailbydomain.com>

Auto manuals search

<http://auto.somanuals.com>

TV manuals search

<http://tv.somanuals.com>