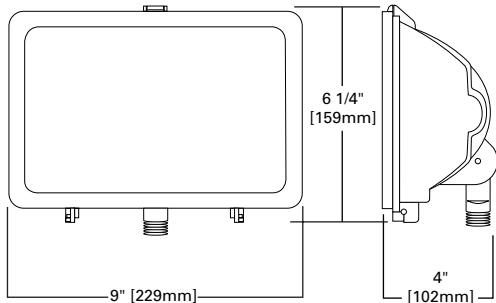


DESCRIPTION

The Lumark QZ Wedge is a compact, economical alternative to traditional outdoor floodlighting. The black or white finishes provide lasting durability with optics that deliver optimum beam control. U.L. listed and labeled for wet locations. CSA certified.

SPECIFICATION FEATURES

- Die-cast aluminum housing finished in black or white paint for lasting durability
- Adjustable stem mounting arm fits 1/2" NPS outlet box cover
- Anodized aluminum reflector provides maximum beam control and efficiency
- Porcelain lamp sockets for 300-500W quartz lamp
- Heat- and weather-resistant gasketing seals out external contaminants
- Hinged door frame has toolless entry latch
- U.L. listed for wet locations. CSA certified
- Approximate net weight: 3 lbs. (1 kgs.)



QZ WEDGE

300 - 500 W
Quartz

FLOODLIGHT

ORDERING INFORMATION

SAMPLE NUMBER: QZ3L

Lamp Type Q=Quartz	Fixture Z=Wedge	Lamp Wattage 3=300W 5=500W	Lamp L=Lamp Included	Options (add as suffix) WHT=White Accessories (order separately) NKS-BZ=2" Slipfitter—Bronze NKS-WHT=2" Slipfitter—White
------------------------------	---------------------------	---	-----------------------------------	--

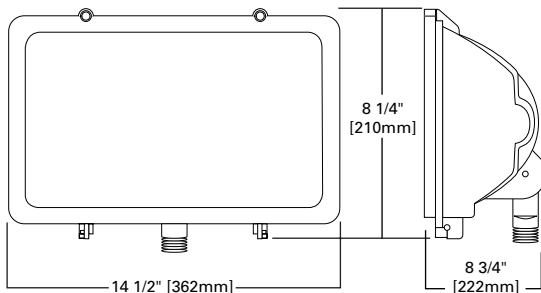
NOTES: 1 Standard unit has 1/2" NPT threaded knuckle for mounting. 2" slipfitter is available as an accessory. 2 120 Volt operation only. 3 Specifications and dimensions subject to change without notice.

DESCRIPTION

The Lumark LQL1500 has a heat- and impact-resistant clear glass lens, mounted in a gasketed, die-cast hinged aluminum door with captive screw fasteners for positive latching. U.L. listed and labeled for wet locations. CSA certified.

SPECIFICATION FEATURES

- Captive screw fasteners provide positive weatherproof seal
- Finished in dark bronze paint
- Clear tempered glass lens is heat- and impact-resistant
- Quartz lamp provides white light for excellent color rendition
- Die-cast aluminum door is sealed with full-circumference gasketing to die-cast aluminum housing installation to J-box and can be wall or eaves mounted
- Integral hinge design permits hands-free relamping and easy door removal
- Adjustable stem mounting arm fits 1/2" NPT outlet box cover
- U.L. listed for wet locations. CSA certified
- Approximate net weight: 4.5 lbs. (2.5 kgs.)



LQL1500 QUARTZ FLOOD

1500 W (Max.)
Quartz

FLOODLIGHT

[240V LAMP INCLUDED]

ORDERING INFORMATION

SAMPLE NUMBER: LQL1500WL240

Catalog Number	Lamp Wattage	Lamp Type	Voltage	Color
LQL1500WL240	1500W	T3 Quartz	240V	Bronze

NOTES: 1 240V T3 lamp included. 2 Specifications and dimensions subject to change without notice. 3 Products also available in non-US voltages and frequencies for international markets. 4 Consult your Cooper Lighting Representative for availability and ordering information.

Free Manuals Download Website

<http://myh66.com>

<http://usermanuals.us>

<http://www.somanuals.com>

<http://www.4manuals.cc>

<http://www.manual-lib.com>

<http://www.404manual.com>

<http://www.luxmanual.com>

<http://aubethermostatmanual.com>

Golf course search by state

<http://golfingnear.com>

Email search by domain

<http://emailbydomain.com>

Auto manuals search

<http://auto.somanuals.com>

TV manuals search

<http://tv.somanuals.com>