

HMC HIGH MAST

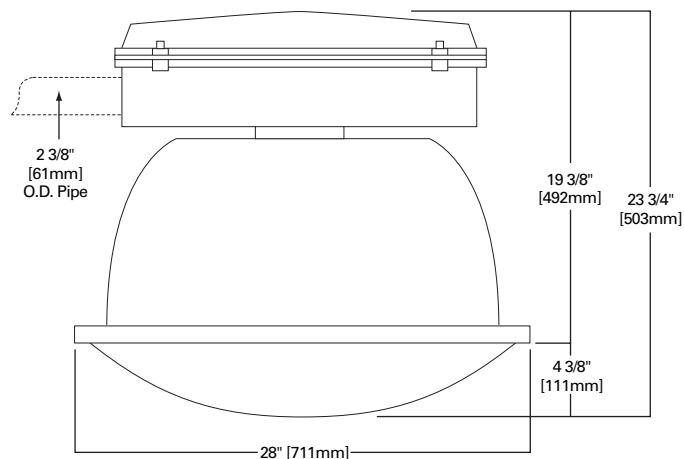
LARGE AREA LUMINAIRE

400-1000W

MH/HPS



STREETWORKS™



Horizontal Lamp Configuration

HOUSING

Die-cast aluminum housing and cover. Standard bronze polyester powder coat finish. Other finish colors available. Consult your Streetworks Representative.

MOUNTING

Clamp type slipfitter for 2 3/8" O.D. pipe.

OPTICS

Anodized spun aluminum outer reflector housing. Light pattern can be oriented by rotating optical assembly (360°). A degree indicator is provided to identify the aiming position.

REFLECTOR

Inner hydroformed and anodized reflector.

DOOR

Die-cast aluminum door with tempered convex glass lens and silicone rubber gasket.

ORDERING INFORMATION

SAMPLE NUMBER: HMC40SC23E

PRODUCT FAMILY	LAMP WATTAGE	LAMP TYPE ¹	BALLAST TYPE ¹	VOLTAGE ¹	OPTICAL PACKAGE	DISTRIBUTION	OPTIONS + ACCESSORIES
HMC	40=400W 91=1000W	S=HPS M=MH	C=CWI K=10KV CWA ² M=Mag. Reg. ³ W=CWA	2=120V 0=208V 4=240V 7=277V 8=480V 9=347V W=Multi-Tap wired 120V N=Multi-Tap wired 277V V=Multi-Tap wired 240V	1=Type I 2=Type II 3=Type III 4=Type IV	A=SCO D=MCO E=MSCO L=LMCO	(See Below)

OPTIONS + ACCESSORIES [Must be listed in the order shown and separated by a dash]

OPTIONS (add as suffix)

1=Single Fuse, Internally Mounted (120, 277V)
2=Double Fuse, Internally Mounted (208, 240 & 480V)
3=Four-Stage Air Filter ⁴
4=Photocontrol Receptacle
AP=Grey
B=Plastic Two Position Terminal Block
F=Flat Glass
M=MOV Lighting Surge Protector ⁵

ACCESSORIES (order separately)

OA/RA1016=105-285V Photocontrol
OA/RA1027=480V Photocontrol
OA1153=External Cutoff Shield (.90 EPA)

OPTIONAL COLORS [Standard color is bronze, other finish colors available. Consult your Cooper Lighting representative]



AP
Grey

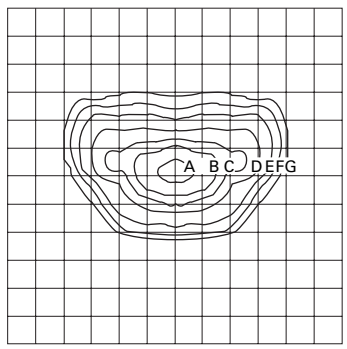
EPA:

Effective Projective Area: 1.46

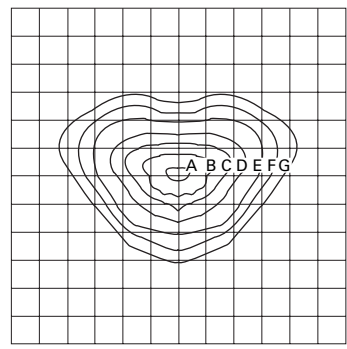
SHIPPING DATA

Approximate Net Weight:
68 lbs. (30 kgs.)

NOTE: 1 Refer to technical section for lamp/ballast/voltage compatibility. 2 1000W HPS only. 3 Not available on 1000W units. 4 Four-Stage air filter prevents entrance of dust particles .00025mm and larger. 5 MOV option is not available for any system requiring a three position terminal block (Example—120/240 incoming line). In order for MOV option to function center terminal of three position terminal block must be connected to "Earth" ground.



HMC40S3D. IES
400-Watt HPS
50,000-Lumen Clear Lamp

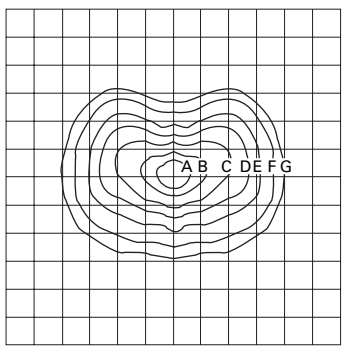


HMC91S3D. IES
1000-Watt HPS
140,000-Lumen Clear Lamp

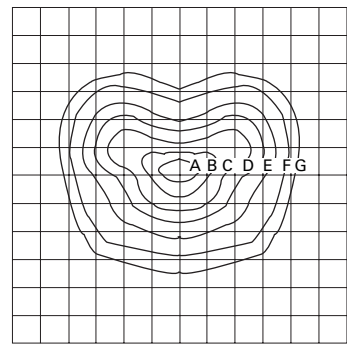
FOOTCANDLE TABLE

Select mounting height and read across for footcandle values of each isofootcandle line. Distance in units of mounting height.

Mounting Height	Footcandle Values for Isofootcandle Lines						
	A	B	C	D	E	F	G
HMC40S3D. IES							
80'	0.78	0.31	0.16	0.08	0.03	0.02	0.008
100'	0.50	0.20	0.10	0.03	0.02	0.01	0.005
120'	0.35	0.14	0.07	0.03	0.02	0.007	0.003
HMC91S3D. IES							
80'	0.78	0.31	0.16	0.08	0.03	0.02	0.008
100'	0.50	0.20	0.10	0.03	0.02	0.01	0.005
120'	0.35	0.14	0.07	0.03	0.02	0.007	0.003



HMC40M3A. IES
400-Watt MH
36,000-Lumen Clear Lamp



HMC91M3A. IES
1000-Watt MH
110,000-Lumen Clear Lamp

FOOTCANDLE TABLE

Select mounting height and read across for footcandle values of each isofootcandle line. Distance in units of mounting height.

Mounting Height	Footcandle Values for Isofootcandle Lines						
	A	B	C	D	E	F	G
HMC40M3A. IES							
80'	1.56	0.78	0.31	0.16	0.08	0.03	0.02
100'	1.00	0.50	0.20	0.10	0.05	0.02	0.01
120'	0.69	0.35	0.14	0.07	0.03	0.01	0.007
HMC91M3A. IES							
80'	1.56	0.78	0.31	0.16	0.08	0.03	0.02
100'	1.00	0.50	0.20	0.10	0.05	0.02	0.01
120'	0.69	0.35	0.14	0.07	0.03	0.01	0.007

Free Manuals Download Website

<http://myh66.com>

<http://usermanuals.us>

<http://www.somanuals.com>

<http://www.4manuals.cc>

<http://www.manual-lib.com>

<http://www.404manual.com>

<http://www.luxmanual.com>

<http://aubethermostatmanual.com>

Golf course search by state

<http://golfingnear.com>

Email search by domain

<http://emailbydomain.com>

Auto manuals search

<http://auto.somanuals.com>

TV manuals search

<http://tv.somanuals.com>