

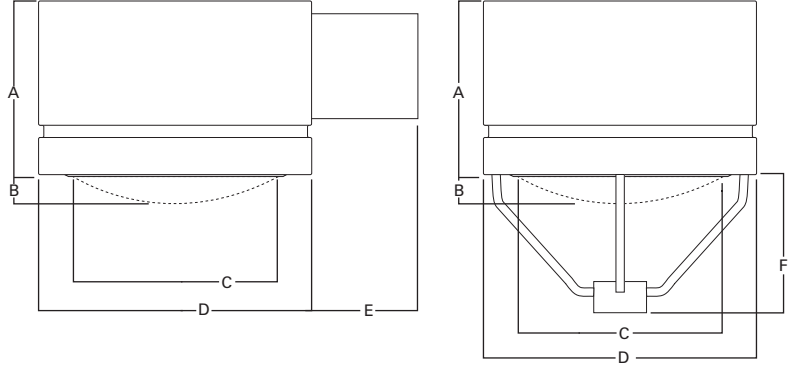
GR GALLERIA ROUND

ARCHITECTURAL AREA LUMINAIRE

250-1000W
MH/HPS/SMH



STREETWORKS™



DARK SKY COMPLIANT **FCO**
Full Cutoff

NOTE: In all flat glass configurations only.

Fixture	A	B	C	D	E	F
250-400W (in.)	18 1/4	3 1/2	19 3/4	24 1/2	6 or 14	16
(mm)	464	89	502	676	152 or 356	406
1000W (in.)	19 3/4	4 1/4	25 5/8	32 15/16	6 or 14	19 3/4
(mm)	502	108	651	837	152 or 356	502

HOUSING

Roll-formed aluminum housing with stamped reveal has interior-welded seams for structural integrity. Optional NEMA twistlock photocontrol. ANSI wattage/source label.

BALLAST

Ballast is hard-mounted to housing interior for cooler operation.

REFLECTOR

Spun and stamped anodized aluminum reflector in vertical lamp units, or hydroformed anodized aluminum reflector in horizontal lamp units.

SPRINGS

Aluminum door retaining springs.

DOOR

Formed aluminum door for arm-mount fixture has retaining springs, while spider-mount unit has a heavy-duty hinge and captive retaining screws. Door is finished in polyester powder coat.

LENS

Convex tempered glass lens. Tempered flat glass available.

FINISH

Standard polyester powder coat finish in bronze. For more color options see optional colors or consult your Streetworks representative for more information.

ORDERING INFORMATION

SAMPLE NUMBER: GRA25MWWXX

PRODUCT FAMILY ¹	LAMP WATTAGE	LAMP TYPE ²	BALLAST TYPE ²	VOLTAGE ²	DISTRIBUTION	LENS TYPE	OPTIONS + ACCESSORIES
GRA=Arm	25=250W	S=High Pressure Sodium	W=CWA	2=120V	1D=Type I MCO (Horizontal)	FG=Flat Glass ^{3,5}	(See Below)
GRC=Spider	40=400W	M=Metal Halide	C=CWI	0=208V	2D=Type II MCO (Horizontal)	SG=Sag Glass	
	91=1000W	R=SMH	M=Mag. Reg.	4=240V	3D=Type III MCO (Horizontal)		
				7=277V	3V=Type III (Vertical)		
				8=480V	FT=Forward Throw (Horizontal)		
				W=Multi-Tap wired 120V	AR=Area Round (Vertical)		
				N=Multi-Tap wired 277V	AS=Area Square (Vertical)		
				V=Multi-Tap wired 240V	RW=Rectangular Wide (Vertical)		
					SL=Spill Light Eliminator (Horizontal) ^{3,4}		

OPTIONS + ACCESSORIES [Must be listed in the order shown and separated by a dash]

OPTIONS (add as suffix)

- 1=Single Fuse, Internally Mounted (120 or 277)
- 2=Double Fuse, Internally Mounted (208, 240, or 480V)
- 4=Photocontrol Receptacle
- WH=White
- BK=Black
- AP=Grey
- DP=Dark Platinum
- GM=Graphit Metallic
- H=Plug-in Starter Receptacle⁴
- B=House Side Shield
- AIR=Arm Included for Round Pole⁶
- AIS=Arm Included for Square Pole⁶
- CSR=Color Reveal Stripe—Red
- CSB=Color Reveal Stripe—Blue
- CSY=Color Reveal Stripe—Yellow
- CSG=Color Reveal Stripe—Green
- CSD=Color Reveal Stripe—Gold
- CSS=Color Reveal Stripe—Silver
- CSW=Color Reveal Stripe—White

ACCESSORIES (order separately)

- MA1025=14" Arm for Square Pole⁷
- MA1026=6" Arm for Square Pole
- MA1006=Direct Mounting Kit for Square Pole
- MA1027=14" Arm for Round Pole⁷
- MA1028=6" Arm for Round Pole
- MA1009=Direct Mounting Kit for Round Pole
- MA1061=House Side Shield—Field Installed (Medium Housing)
- MA1062=House Side Shield—Field Installed (Large Housing)

OPTIONAL COLORS [Standard color is bronze, other finish colors available. Consult your Cooper Lighting representative]

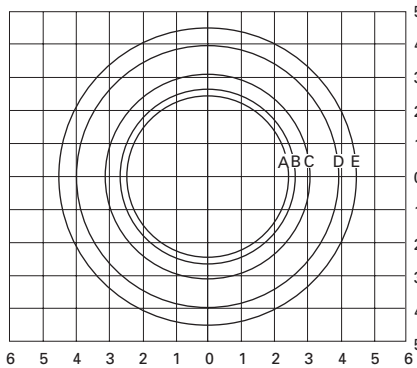


SHIPPING DATA

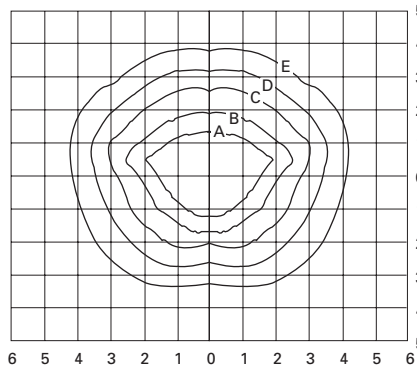
Approximate Net Weight:
86 lbs. (40 kgs.)

NOTE: 1 Order arm separately. 2 Refer to technical section for lamp/ballast/voltage compatibility. 3 Must use reduced envelop lamp. 4 Not available in 1000W. 5 Available in 1D, 2D, 3D, FT. AR. 6 Arm length varies based on housing size. 7 Required for mounting fixtures at 90° increments.

PHOTOMETRICS [Complete IES files available at www.cooperlighting.com]



GRA91SARS.IES
1000-Watt HPS
140,000-Lumen Lamp
Area Round Sag Glass



GRA91M3DF.IES
1000-Watt MH
110,000-Lumen Lamp
Type III MCO Flat Glass

FOOTCANDLE TABLE

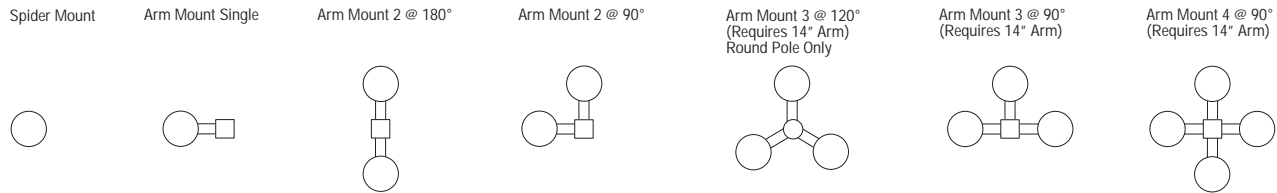
Select mounting height and read across for footcandle values of each isofootcandle line. Distance in units of mounting height.

Mounting Height	Footcandle Values for Isofootcandle Lines				
	A	B	C	D	E
GRA91SARS.IES					
30'	3.54	2.66	1.77	0.88	0.44
35'	2.60	1.95	1.30	0.65	0.32
40'	2.00	1.50	1.00	0.50	0.25
45'	1.58	1.18	0.79	0.39	0.19
50'	1.28	0.96	0.64	0.32	0.16

GRA91M3DF.IES

30'	3.54	2.66	1.77	0.88	0.44
35'	2.60	1.95	1.30	0.65	0.32
40'	2.00	1.50	1.00	0.50	0.25
45'	1.58	1.18	0.79	0.39	0.19
50'	1.28	0.96	0.64	0.32	0.16

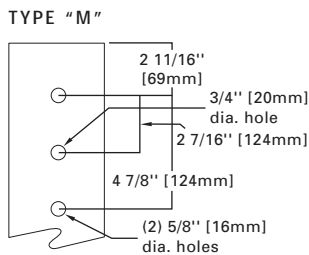
MOUNTING CONFIGURATIONS



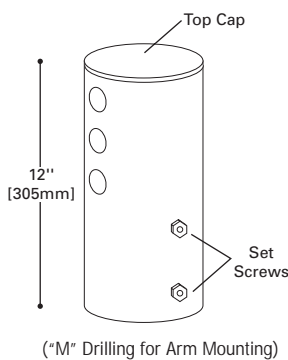
E.P.A. TABLE		SINGLE [W/Arm where applicable]					
	DRILL PATTERN	2 @ 180°	2 @ 90°	3 @ 90°	3 @ 120°	4 @ 90°	
GRA [Arm Mount] 250-400W	"M" ¹	2.2	4.4	5.4	7.1	7.9	
GRC [Spider Mount] 250-400W	3"	2.0	n/a	n/a	n/a	n/a	
GRA [Arm Mount] 1000W	"M" ¹	3.0	6.0	7.0	9.5	10.7	
GRC [Spider Mount] 1000W	3"	2.8	n/a	n/a	n/a	n/a	

NOTE: 1 Assumes 14" arm for 90° and 120° mounting configurations, 6" for all else.

DRILLING PATTERN



2" OR 3" DIRECT MOUNT TENON ADAPTER



ORDERING INFORMATION

Catalog Number	Tenon Size (In.)	Fixture Configuration
MA1010	3 1/2 O.D	1 Fixture
MA1011	3 1/2 O.D	2 Fixtures at 180°
MA1012	3 1/2 O.D	3 Fixtures at 120°
MA1013	3 1/2 O.D	4 Fixtures at 90°
MA1014	3 1/2 O.D.	2 Fixtures at 90°
MA1015	3 1/2 O.D	2 Fixtures at 120°
MA1016	3 1/2 O.D	3 Fixtures at 90°
MA1017	2 3/8 O.D	1 Fixture
MA1018	2 3/8 O.D	2 Fixtures at 180°

NOTES: Fitters for other tenon sizes available. Consult your Streetworks representative. Tenon adapter for through bolt mounted luminaires. Standard adapter is bronze painted steel.

Free Manuals Download Website

<http://myh66.com>

<http://usermanuals.us>

<http://www.somanuals.com>

<http://www.4manuals.cc>

<http://www.manual-lib.com>

<http://www.404manual.com>

<http://www.luxmanual.com>

<http://aubethermostatmanual.com>

Golf course search by state

<http://golfingnear.com>

Email search by domain

<http://emailbydomain.com>

Auto manuals search

<http://auto.somanuals.com>

TV manuals search

<http://tv.somanuals.com>