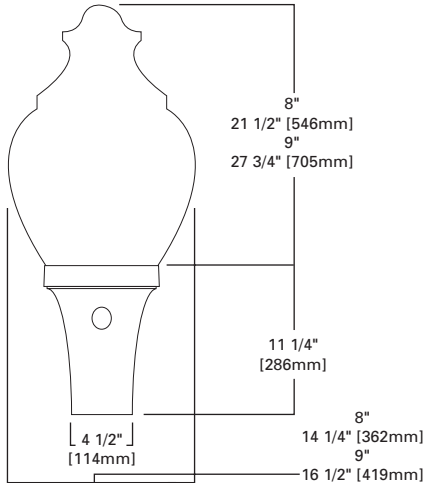


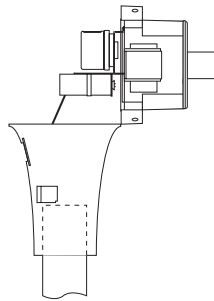
50-250W
MH/HPS/MERCURY

ANE ACORN

DECORATIVE LUMINAIRE



TILT-BACK POWER MODULE



STREETWORKS™

ORDERING INFORMATION

SAMPLE NUMBER: ANE50SR2554

PRODUCT FAMILY	LAMP WATTAGE ³	LAMP TYPE ³	BALLAST TYPE ³	VOLTAGE ³	REFRACTOR TYPE	OPTIONS + ACCESSORIES (See Below)
ANE=Acorn	50=50W ¹ 70=70W 10=100W 15=150W 17=175W 25=250W ²	S=High Pressure Sodium V=Mercury M=Metal Halide	R=Reac./NPF ¹ H=Reac./HPF N=Hi. Reac./NPF P=Hi. Reac./HPF W=CWA K=10KV CWA ⁴	2=120V 0=208V 4=240V 7=277V 8=480V F=120/240 wired 120V G=120/240 wired 240V W=Multi-Tap wired 120V N=Multi-Tap wired 277V V=Multi-Tap wired 240V	33=Type III 55=Type V	

OPTIONS + ACCESSORIES [Must be ordered in alphanumeric order]

- OPTIONS (add as suffix)
1=Single Fuse, Internally Mounted (120 or 277V)
2=Double Fuse, Internally Mounted (208, 240, or 480V)
4=NEMA Twistlock Photocontrol Receptacle
5=Internal Button Photocontrol ⁵

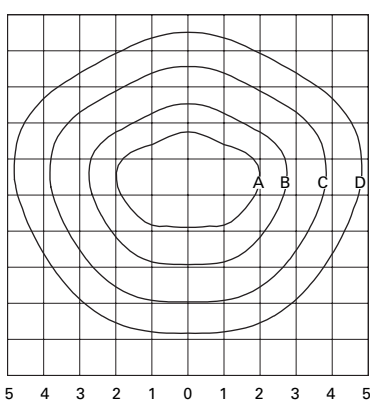
- WH=White
BZ=Bronze
9=9" Globe ⁶
A=Acrylic Globe
B=Acrylic Globe 9"
F=Finial
AP=Grey
H=Hartford Green
DP=Dark Platinum
M=Milk White Globe
N=NEMA Ballast Bracket ⁷
S=Screw Secure Power Module
U=UL/CSA Listed

- ACCESSORIES (order separately)
AA1000=House Side Shield (9" globe)
AA1001=House Side Shield (8" globe)

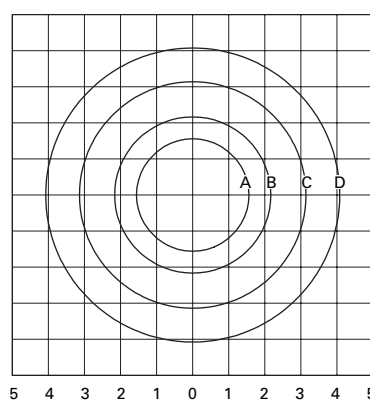
OPTIONAL COLORS [Standard color is black, other finish colors available. Consult your Cooper Lighting representative]



PHOTOMETRICS [Complete IES files available at www.cooperlighting.com]



ANE15S33. IES
150-Watt HPS
16,000-Lumen Lamp
Type III



ANE15S55. IES
150-Watt HPS
16,000-Lumen Lamp
Type V

5 FOOTCANDLE TABLE

4 Select mounting height and read across for footcandle values of each isofootcandle line. Distance in units of mounting height.

Mounting Height	Footcandle Values for Isofootcandle Lines			
	A	B	C	D
ANE15S33. IES				
12'	1.36	0.68	0.34	0.13
14'	1.00	0.50	0.25	0.10
16'	0.76	0.38	0.19	0.07
ANE15S55. IES				
12'	1.36	0.68	0.34	0.13
14'	1.00	0.50	0.25	0.10
16'	0.76	0.38	0.19	0.07

NOTE: 1 Available in 120V only. 2 250W available for 120V only. 3 Refer to technical section for lamp/ballast/voltage compatibility. 4 Available 50-150W, 120/240 or single voltage only. 5 Specify single voltage. 6 Standard 8" globe. 7 Available in Reactor HPF and NPF. For Hi Reactance or CWA availability consult your Streetworks Representative.

GLOBE
8" textured polycarbonate globe is standard. Optional globes include a 9" polycarbonate, 8" and 9" milk white, and 8" and 9" acrylic. (Optional internal Type III refractor available.)

SOCKET
Mogul-base socket for 50W through 150W HPS and 175W and 250W Metal Halide; 50W through 150W MH is medium base socket. All sockets are 4KV pulse rated.

BALLAST
Easily accessible, tilt-back power module. Standard plug-in starter when applicable.

PHOTOCONTROL
Photocontrol receptacle available.

HOUSING
Cast aluminum housing. Standard with two position terminal block. Standard color is black. Other finish colors available. Consult your Streetworks Representative. 1" ANSI wattage/source label.

MOUNTING
Post-top mount fits 3" tenons. Secures with three (3) square headed 1 1/4" polymer coated mounting bolts.

FINISH
Standard polyester powder coat finish in black. For more color options see optional color or consult your Streetworks representative for more information.

EPA:
Effective Projective Area: 1.7

SHIPPING DATA
Approximate Net Weight: 30 lbs. (14 kgs.)

Free Manuals Download Website

<http://myh66.com>

<http://usermanuals.us>

<http://www.somanuals.com>

<http://www.4manuals.cc>

<http://www.manual-lib.com>

<http://www.404manual.com>

<http://www.luxmanual.com>

<http://aubethermostatmanual.com>

Golf course search by state

<http://golfingnear.com>

Email search by domain

<http://emailbydomain.com>

Auto manuals search

<http://auto.somanuals.com>

TV manuals search

<http://tv.somanuals.com>