



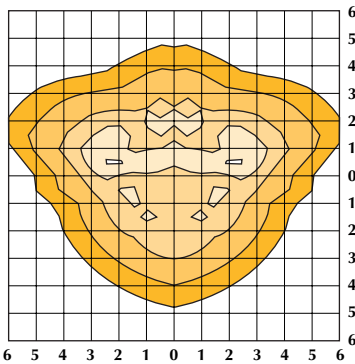
GENERATION
SERIES

ACORN ACN-2
post top luminaire

APPLICATION

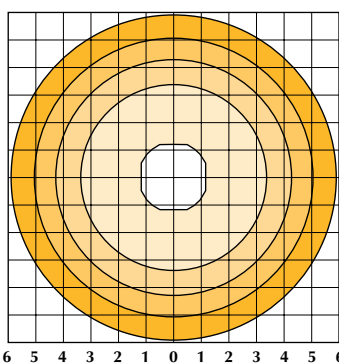
The ACN Series traditional character with updated styling and superior photometric performance offers roadway illumination and uniformity to set a new standard for decorative post top luminaires. It's traditional styling ties in well with historic districts, downtown streetscapes, walkways, and parking lots.

PHOTOMETRIC



REPORT #768055

15' Mounting Height
150-Watt HPS, Type III Acrylic Refractor
16,000-Lumen Clear ED-23.5 Lamp



REPORT #768066

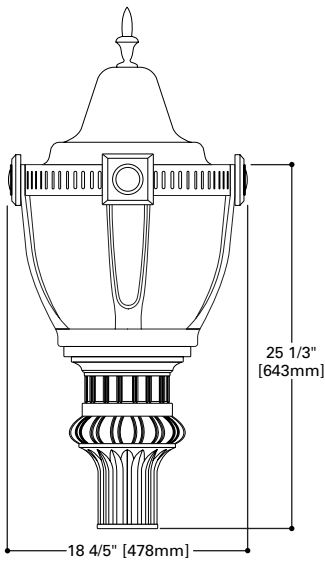
15' Mounting Height
150-Watt HPS, Type V Acrylic Refractor
16,000-Lumen Clear ED-23.5 Lamp

FOOTCANDLE TABLE

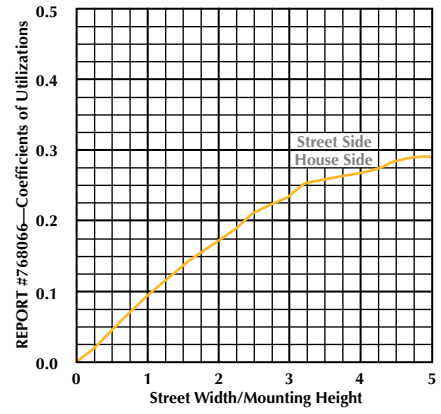
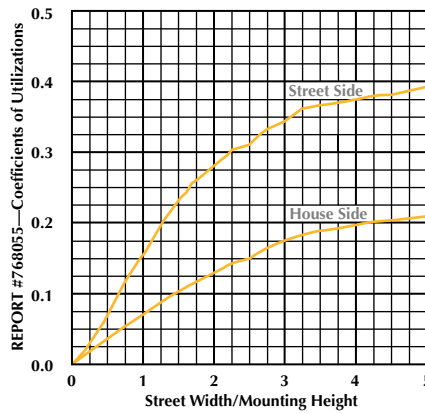
Select mounting height and read across for footcandle values of each isofootcandle line. Distance in units of mounting height.

Mounting Height	Footcandle Values for Isofootcandle Lines				
REPORT #768055					
10'	4.50	2.25	1.12	0.45	0.22
15'	2.00	1.00	0.50	0.20	0.10
20'	1.12	0.56	0.28	0.11	0.05
REPORT #768066					
10'	2.25	1.12	0.45	0.22	0.11
15'	1.00	0.50	0.20	0.10	0.05
20'	0.56	0.28	0.11	0.05	0.02

DIMENSIONS



COEFFICIENTS OF UTILIZATION

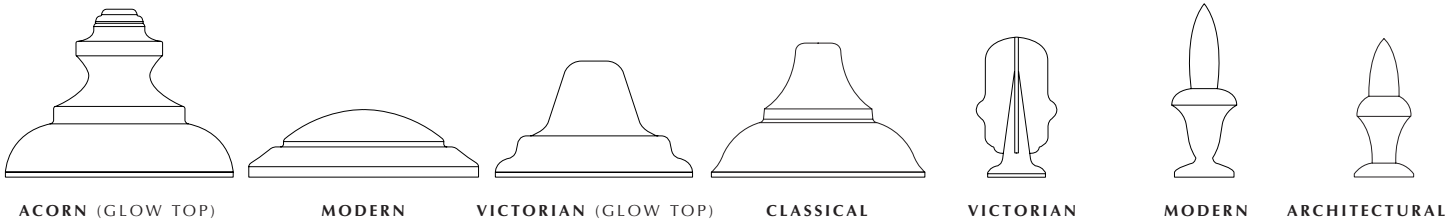


LUMENS OUTPUT & EFFICIENCY

REPORT #768055	LUMENS	PERCENT OF LAMP
Downward Street Side	6721.65	42.0
Downward House Side	3681.3	23.0
Downward Total	10402.95	65.0
Upward Street Side	2710.24	16.9
Upward House Side	2260.82	14.1
Upward Total	4971.06	31.1
Total Flux	15374.01	96.1

REPORT #768066	LUMENS	PERCENT OF LAMP
Downward Street Side	5089.05	31.8
Downward House Side	5089.04	31.8
Downward Total	10178.09	63.6
Upward Street Side	2494.74	15.6
Upward House Side	2494.73	15.6
Upward Total	4989.47	31.2
Total Flux	15167.56	94.8

TOPS/FINIAL OPTIONS



ORDERING INFORMATION

ACN									
Product Family ACN=Architectural	Lamp Wattage 50=50W 70=70W 10=100W 15=150W 17=175W 25=250W	Lamp Type M=Metal Halide S=High Pressure Sodium	Ballast Type R=Reac./NPF H=Reac./HPF N=Hi. Reac./NPF P=Hi. Reac./HPF W=CWA K=10KV CWA	Voltage 2=120V 0=208V 4=240V 7=277V 8=480V 9=347V W=Multi-Tap Wired 120V N=Multi-Tap Wired 277V	Refractor Type 33=Type III 55=Type V	Cage Type 1=Classical 2=Modern 3=Architectural X=None	Top Type 1=Acorn 2=Modern 3=Victorian 4=Classical	Finial Type 1=Victorian 2=Modern 3=Architectural X=None	Options (add as suffix) 1=Single Fuse (120, 277V) 2=Double Fused (208, 240 or 480V) 4=Internal NEMA Photocontrol Receptacle 6=White 8=Bronze B=Decorative Brass Banding 1 H=Hartford Green SV=Silver P=Polycarbonate Refractor R=Downlight Reflector Accessories (order separately) AA1000=House Side Shield

NOTE: 1 When brass banding is chosen, finial finished in gold. Specifications and Dimensions subject to change without notice.



Free Manuals Download Website

<http://myh66.com>

<http://usermanuals.us>

<http://www.somanuals.com>

<http://www.4manuals.cc>

<http://www.manual-lib.com>

<http://www.404manual.com>

<http://www.luxmanual.com>

<http://aubethermostatmanual.com>

Golf course search by state

<http://golfingnear.com>

Email search by domain

<http://emailbydomain.com>

Auto manuals search

<http://auto.somanuals.com>

TV manuals search

<http://tv.somanuals.com>