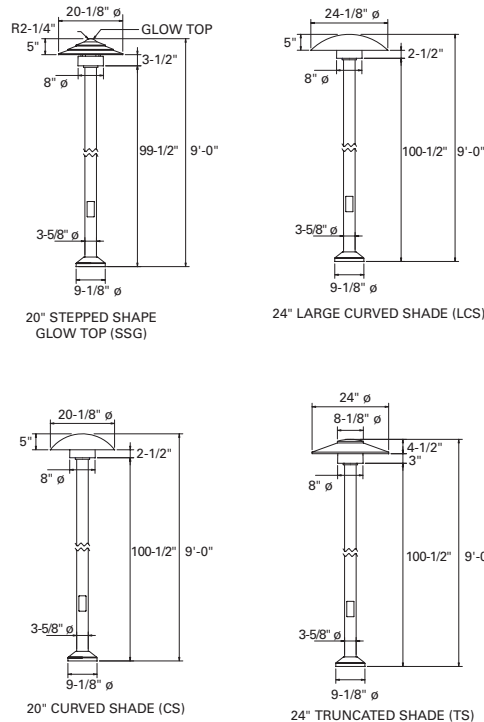


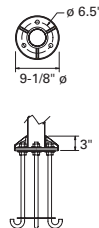


902-PT SSG, LCS, CS or TS SERIES

The 902 Post Top luminaire features a frosted glass diffuser, a soft "glowing" direct component and four distinct upper shade options.



MOUNTING DETAILS



MATERIAL

Post and Collar: 3 5/8" Diameter seamless pure copper tube attached to a sand cast bronze base covered by a spun copper alloy cover. Sand cast collar with an acrylic (CFL) or frosted glass diffuser (MH & INC).

Shade Options, available in four shade options:

- Spun natural copper alloy large curved shade (LCS)[Dark Sky Compliant] 5" H x 24 1/8" dia.
- Spun natural copper alloy curved shade (CS) 5" H x 20 1/8" dia.
- Spun natural copper alloy stepped shade with etched glass (EG) glow top element (SSG) with optional custom color filters (CC) 5" H x 20 1/8" dia.
- Spun natural copper alloy truncated shade (TS) 4 1/2" H x 24" dia. Aluminum components are used with a painted finish.

LAMP/SOCKET

One (1) 26W (GX24q-3 base), 32W (GX24q-3 base) or 42W (GX24q-4 base) 4-pin triple tube CFL lamp or one (1) 70W ED-17 metal halide lamp or one (1) 150W A-21 incandescent lamp. CFL socket injection molded plastic. MH and INC socket fired ceramic rated for 4KV. Lamps furnished by others.

BALLAST

One (1) low temperature (0°F,-18°C) AC electronic CFL multi-watt, multi-volt 120/277V (347V-Canada) ballast. One (1) 70W electronic metal halide ballast. CFL and MH electronic ballast mounted in post.

INSTALLATION

Pole mounted on an EPDM pad with three 3/4"-10 UNC-2A X 18" J-bolts on a 6 1/2" dia. olt circle. Three conduit feeds in base (by others). Wiring connection via hand hole in post (ground lug at hand hole). Supplied with mounting pad, bolts, mounting hardware and template.

FINISH AND OPTIONS

See page 1020 for finish details and options.

Sample Number: 902-PT-SSG-MH/1/70-277V-GRM-GM-EG-14

Series	Style	Lamp	Voltage	Post Finish ²	Finish ²	Glow Top Element ³	Mounting Height	Options
902-PT = Multiple Shade Luminaire	CS = Curved Shade	CFL/1	120V	CA (standard),	CA	EG = Etched Glass	8'	BS ⁴
	LCS = Large Curved Shade	(26/32/42W-Triple)	277V	BK, BM, CC,	(standard),	___ = Not Available	9'	
	SSG = Stepped Shade Glow Top	INC/1/150	347V ¹	DP, GM, GRM,	BK, BM, CC,		10'	
	TS = Truncated Shade	MH/1/70		GY, SM, WH	DP, GM, GRM, GY, SM, VG, WH		11' 12' 13' 14'	

Notes:

- 1 Available with CFL only.
- 2 Copper alloy or premium TGIC polyester powder coat paint, 2.5 mil nominal thickness for superior protection against fade and wear.
- 3 Available with Stepped Shade Glow Top (SSG) only.
- 4 Consult the factory for available options.

Free Manuals Download Website

<http://myh66.com>

<http://usermanuals.us>

<http://www.somanuals.com>

<http://www.4manuals.cc>

<http://www.manual-lib.com>

<http://www.404manual.com>

<http://www.luxmanual.com>

<http://aubethermostatmanual.com>

Golf course search by state

<http://golfingnear.com>

Email search by domain

<http://emailbydomain.com>

Auto manuals search

<http://auto.somanuals.com>

TV manuals search

<http://tv.somanuals.com>