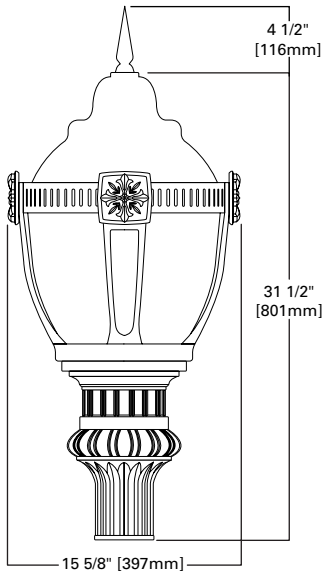


## DIMENSIONS



## DESCRIPTION

The MNC Manchester displays an old fashion charm of traditional area lighting, enhancing every lighting application with a distinctive styling day or night. U.L. listed for wet locations. CSA certified.

Evoking the classic charm of yesteryear, the Manchester offers a strong combination of aesthetic beauty and photometric performance in a fixture that reflects the architectural heritage of America's main streets and neighborhoods.



## MNC MANCHESTER

**70 - 175 W**

**Metal Halide  
High Pressure Sodium**

**DECORATIVE GLASS  
LUMINAIRE**

## ORDERING INFORMATION

**SAMPLE NUMBER:** MNC-150-MH-120-3-C-V-V-BK

<b>Product Family</b> MNC=Manchester	<b>Lamp Wattage</b> <sup>1</sup> 70=70W 100=100W 150=150W 175=175W	<b>Lamp Type</b> MH=Metal Halide HPS=High Pressure Sodium	<b>Voltage</b> <sup>2</sup> 120=120V 208=208V 240=240V 277=277V 347=347V 480=480V MT=Multi-Tap <sup>3</sup> TT=Multi-Tap <sup>4</sup>	<b>Refractor Type</b> 3=Type III 5=Type V	<b>Cage/Band Type</b> C=Classical Cage G=Gold Anodized Band <sup>5</sup> P=Painted Band X=None	<b>Top Type</b> V=Victorian	<b>Color</b> <sup>6</sup> AP=Grey BZ=Bronze BK=Black GN=Hartford Green WH=White DP=Dark Platinum GM=Graphite Metallic	<b>Options &amp; Accessories</b> (See Below)
<b>Finial Type</b> <sup>5</sup> A=Architectural M=Modern O=Old World V=Victorian X=None								

E.P.A. 1.6

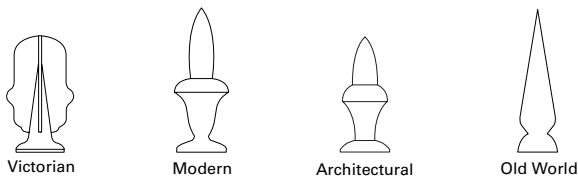
### Options<sup>7</sup>

F=Single Fuse (120, 277 or 347V)  
FF=Double Fuse (208, 240 or 480V)  
R=NEMA Twistlock Photocontrol Receptacle  
L=Lamp Included

### Accessories<sup>8</sup>

AA3000=House Side Shield—Mogul-base Lamp  
AA3001=House Side Shield—Medium-base Lamp  
OA/RA1016=NEMA Twistlock Photocontrol—Multi-Tap  
OA/RA1027=NEMA Twistlock Photocontrol—480V

### Finial Options



- Cast finial optional. Finial painted to match cast housing
- Borosilicate two-piece prismatic glass refractor, available in either a Type III or Type V distribution
- Optional decorative cage or band is available. Cage uprights are manufactured of cast aluminum. Bands are extruded aluminum. Finish colors match housing color choice. Optional gold anodized band available
- Heavy-duty cast aluminum housing for up to 175W MH or 150W HPS systems. Optional NEMA PCR is accessible through door assembly
- Ballast provided with a power tray assembly for ease of maintenance. Mogul-base is standard for 70W through 150W HPS and 175W MH. 70W through 150W MH use medium-base
- Post top mount fits 3" O.D. tenons and secures in place with four (4) allen-head set screws
- Approximate net weight: 60 lbs. (27 kgs.)

**NOTES:** 1 All Metal Halide lamps 150W and below are medium-base. 175W and above are mogul-base. 2 Product also available in non-US voltages and 50Hz for international markets. Consult factory for availability and ordering information. 3 Multi-Tap ballast is 120/208/240/277V wired 277V. 4 Triple-Tap ballast is 120/277/347V wired 347V. 5 When gold anodized band is chosen, finial finished in gold. 6 Other finish colors available, including a full line of RAL color matches. Consult your Cooper Lighting Representative. 7 Add as suffix in the order shown. 8 Order separately, replace XX with color suffix. 9 Specifications and dimensions subject to change without notice.

## Free Manuals Download Website

<http://myh66.com>

<http://usermanuals.us>

<http://www.somanuals.com>

<http://www.4manuals.cc>

<http://www.manual-lib.com>

<http://www.404manual.com>

<http://www.luxmanual.com>

<http://aubethermostatmanual.com>

Golf course search by state

<http://golfingnear.com>

Email search by domain

<http://emailbydomain.com>

Auto manuals search

<http://auto.somanuals.com>

TV manuals search

<http://tv.somanuals.com>