



**AES**  
**ASCENT SITE**  
**SMALL**

**4 2 - 1 7 5 W**

**Metal Halide**  
**High Pressure Sodium**  
**Compact Fluorescent**

**ARCHITECTURAL**  
**AREA LUMINAIRE**

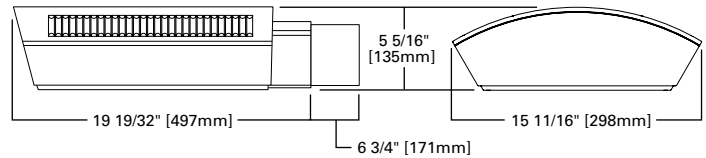


- Two-piece heavy-wall, die-cast aluminum housing
- Continuous silicone gasketing provides IP66 fixture rating
- Impact resistant 1/8" thick tempered clear or optional frosted flat glass
- Toolless entry to housing is provided via two (2) flush mounted quick release latches
- Ballast and related electrical components are mounted to a reinforced one-piece die-cast aluminum power tray
- Choice of five (5) high efficiency segmented optical systems constructed of premium 95% reflective anodized aluminum sheet
- Medium-base porcelain socket for HID lamp sources
- Housing and arm finished in a 5 stage premium TGIC polyester powder coat paint
- Approximate net weight: 35 lbs. (16 kgs.)

**DESCRIPTION**

ASCENT enhances the rectilinear form with a housing that blends effortlessly to traditional or ambitious architectural environments. ASCENT brings two (2) housing sizes and a fluid form to match the culture in which it resides.

**DIMENSIONS**



EPA-Effective Projected Area: .85

**ORDERING INFORMATION**

SAMPLE NUMBER: AES-175-MH-MT-3S-BK-L

<b>Product Family</b> <sup>1</sup> AES=ASCENT Site Small	<b>Lamp Wattage HID</b> <sup>2</sup> 70=70W 100=100W 150=150W 175=175W <b>Compact Fluorescent</b> <sup>3</sup> 42=42W 57=57W <sup>4</sup>	<b>Lamp Type</b> MH=Metal Halide HPS=High Pressure Sodium CF=Compact Fluorescent <sup>5</sup>	<b>Voltage</b> <sup>6</sup> 120=120V 208=208V 240=240V 277=277V 347=347V 480=480V DT=Dual-Tap Wired 277V <sup>7</sup> MT=Multi-Tap Wired 277V <sup>8</sup> TT=Triple-Tap Wired 347V <sup>9</sup> UNV=120-277V Universal Electronic Ballast	<b>Optical System</b> 2S=Type II 3S=Type III 4S=Type IV 5S=Type V SL=Spill Light Eliminator	<b>Colors</b> <sup>10</sup> (add as suffix/must specify) BK=Black AP=Grey BZ=Bronze WH=White DP=Dark Platinum GM=Graphite Metallic	<b>Options &amp; Accessories</b> (See Below)
--	--	--	---	--	---	---

**Options**<sup>11</sup>

F=Single Fuse (120, 277 or 347V)  
Specify Voltage

FF=Double Fuse (208, 240 or 480V)  
Specify Voltage

Q=Quartz Restrike<sup>12</sup>

EM=Quartz Restrike with Time Delay  
(Also Strikes at Cold Start)<sup>12</sup>

EM/SC=Quartz Emergency Separate Circuit<sup>12</sup>

R=NEMA Twistlock Photocell Receptacle

PC=Button Type Photocontrol  
(Specify Voltage)

HS=House Side Shield<sup>13</sup>

VS=Polycarbonate Vandal Shield

FR=Frosted Flat Glass Lens

L=Lamp Included

**Accessories**<sup>14</sup>

OA/RA1016=NEMA Photocontrol—Multi-Tap

OA/RA1027=NEMA Photocontrol—480V

OA/RA1201=NEMA Photocontrol—347V

VA1047-XX=Direct Wall Mount Kit<sup>15</sup>

VA1048-XX=Wall Mount Kit with 6 3/4" Arm<sup>16</sup>

VA1051-XX=6 3/4" Arm for Square Pole

VA1053-XX=6 3/4" Arm for Round Pole

VA1017-XX=Mast Arm Adapter Kit

VA1019-XX=Single Arm Tenon Adapter for 2 3/8" O.D. Tenon

VA1020-XX=2 @ 180° Tenon Adapter for 2 3/8" O.D. Tenon

VA1021-XX=3 @ 120° Tenon Adapter for 2 3/8" O.D. Tenon

VA1022-XX=4 @ 90° Tenon Adapter for 2 3/8" O.D. Tenon

VA1023-XX=2 @ 90° Tenon Adapter for 2 3/8" O.D. Tenon

VA1024-XX=3 @ 90° Tenon Adapter for 2 3/8" O.D. Tenon

VA1025-XX=2 @ 120° Tenon Adapter for 2 3/8" O.D. Tenon

VA1026-XX=Single Arm Tenon Adapter for 3 1/2" O.D. Tenon

VA1027-XX=2 @ 180° Tenon Adapter for 3 1/2" O.D. Tenon

VA1028-XX=3 @ 120° Tenon Adapter for 3 1/2" O.D. Tenon

VA1029-XX=4 @ 90° Tenon Adapter for 3 1/2" O.D. Tenon

VA1030-XX=2 @ 90° Tenon Adapter for 3 1/2" O.D. Tenon

VA1031-XX=3 @ 90° Tenon Adapter for 3 1/2" O.D. Tenon

VA1032-XX=2 @ 120° Tenon Adapter for 3 1/2" O.D. Tenon

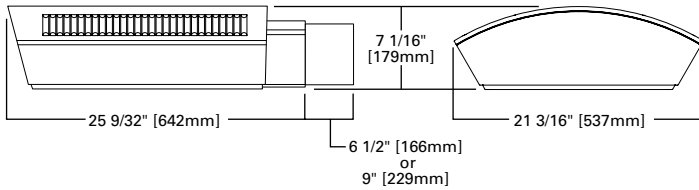
Certifications		
IP66 Rated	U.L. 1598	3G Vibration Tested
CSA Listed	40°C Ambient	ISO 9001
		<b>FCO</b> Full Cutoff

WATTAGE TABLE	AES
Metal Halide	70, 100, 175W
High Pressure Sodium	70, 100, 150W
Compact Fluorescent	42, 57W

NOTES: 1 Arm not included. See accessories. 2 All HID lamps are medium-base. 3 Available in Type 3S, 4S, and 5S distributions only. 4 Nominal M.O.L lamp length of 57W CFL not to exceed 7". 5 Compact Fluorescent ballasts contain internal fusing. No supplemental fusing is necessary. CF ballasts are 120 through 277V. Specify with UNV voltage designation. 6 Products also available in non-US voltages and 50Hz for international markets. Consult factory for availability and ordering information. 7 Dual-tap is 120/277V wired 277V. 8 Multi-tap is 120/208/240/277V wired 277V. 9 Triple-tap is 120/277/347V wired 347V. 10 Custom and RAL color matching available upon request. Consult your INVUE Lighting Systems Representative for further information. 11 Add as suffix in the order shown. 12 Quartz options not available with SL optic. 13 House side shield not available on 5S and SL optics. 14 Order separately, replace XX with color suffix. 15 For use in down lighting applications only. 16 Specifications and dimensions subject to change without notice.

Download from [www.Somanuals.com](http://www.Somanuals.com). All Manuals Search And Download.

DIMENSIONS



DESCRIPTION

ASCENT enhances the rectilinear form with a housing that blends effortlessly to traditional or ambitious architectural environments. ASCENT brings two (2) housing sizes and a fluid form to match the culture in which it resides.



**AEM**  
**ASCENT SITE**  
**MEDIUM**

**1 1 4 - 4 0 0 W**

**Metal Halide**  
**Pulse Start Metal Halide**  
**High Pressure Sodium**  
**Compact Fluorescent**

**ARCHITECTURAL**  
**AREA LUMINAIRE**

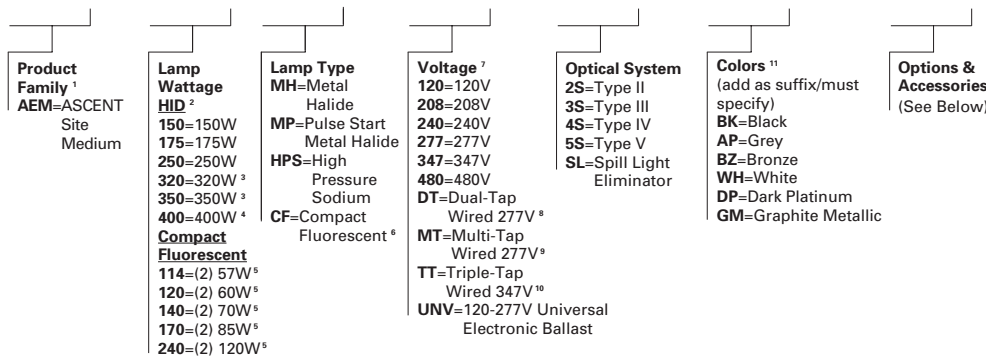


- Two-piece heavy-wall, die-cast aluminum housing
- Continuous silicone gasketing provides IP66 fixture rating
- Impact resistant 1/8" thick tempered clear or optional frosted flat glass
- Toolless entry to housing is provided via two (2) flush mounted quick release latches
- Ballast and related electrical components are mounted to a reinforced one-piece die-cast aluminum power tray
- Choice of five (5) high efficiency segmented optical systems constructed of premium 95% reflective anodized aluminum sheet
- Mogul-base porcelain socket for HID lamp sources
- Housing and arm finished in a 5 stage premium TGIC polyester powder coat paint
- Approximate net weight: 51 lbs. (23 kgs.)

EPA-Effective Projected Area: 1.35

ORDERING INFORMATION

SAMPLE NUMBER: AEM-400-MH-MT-3S-BK-L



Options <sup>12</sup>

- F**=Single Fuse (120, 277 or 347V)  
Specify Voltage
- FF**=Double Fuse (208, 240 or 480V)  
Specify Voltage
- Q**=Quartz Restrike <sup>13</sup>
- EM**=Quartz Restrike with Time Delay  
(Also Strikes at Cold Start) <sup>13</sup>
- EM/SC**=Quartz Emergency Separate Circuit <sup>13</sup>
- R**=NEMA Twistlock Photocell Receptacle
- PC**=Button Type Photocontrol  
(Specify Voltage)
- DS**=Dual Fluorescent Switching Control <sup>14</sup>
- HS**=House Side Shield <sup>15</sup>
- FR**=Frosted Flat Glass Lens
- L**=Lamp Included

Accessories <sup>16</sup>

- OA/RA1016**=NEMA Photocontrol—Multi-Tap
- OA/RA1027**=NEMA Photocontrol—480V
- OA/RA1201**=NEMA Photocontrol—347V
- VA1049-XX**=Direct Wall Mount Kit <sup>17</sup>
- VA1050-XX**=Wall Mount Kit with 6 1/2" Arm <sup>17</sup>
- VA1055-XX**=6 1/2" Arm for Square Pole
- VA1056-XX**=9" Arm for Square Pole <sup>18</sup>
- VA1057-XX**=6 1/2" Arm for Round Pole
- VA1059-XX**=9" Arm for Round Pole <sup>18</sup>
- VA1018-XX**=Mast Arm Adapter Kit
- VA1033-XX**=Single Arm Tenon Adapter for 2 3/8" O.D. Tenon
- VA1034-XX**=2 @ 180° Tenon Adapter for 2 3/8" O.D. Tenon
- VA1035-XX**=3 @ 120° Tenon Adapter for 2 3/8" O.D. Tenon
- VA1036-XX**=4 @ 90° Tenon Adapter for 2 3/8" O.D. Tenon
- VA1037-XX**=2 @ 90° Tenon Adapter for 2 3/8" O.D. Tenon
- VA1038-XX**=3 @ 90° Tenon Adapter for 2 3/8" O.D. Tenon
- VA1039-XX**=2 @ 120° Tenon Adapter for 2 3/8" O.D. Tenon
- VA1040-XX**=Single Arm Tenon Adapter for 3 1/2" O.D. Tenon
- VA1041-XX**=2 @ 180° Tenon Adapter for 3 1/2" O.D. Tenon
- VA1042-XX**=3 @ 120° Tenon Adapter for 3 1/2" O.D. Tenon
- VA1043-XX**=4 @ 90° Tenon Adapter for 3 1/2" O.D. Tenon
- VA1044-XX**=2 @ 90° Tenon Adapter for 3 1/2" O.D. Tenon
- VA1045-XX**=3 @ 90° Tenon Adapter for 3 1/2" O.D. Tenon
- VA1046-XX**=2 @ 120° Tenon Adapter for 3 1/2" O.D. Tenon

WATTAGE TABLE	AEM
Metal Halide	175, 250, 400W
Pulse Start Metal Halide	250, 320, 350, 400W
High Pressure Sodium	150, 250, 400W
Compact Fluorescent	(2) 57, (2) 60, (2) 70, (2) 85, (2) 120W

Certifications

IP66 Rated	U.L. 1598	3G Vibration Tested	FCO Full Cutoff
CSA Listed	40°C Ambient	ISO 9001	

NOTES: 1 Arm not included. See accessories. 2 All HID lamps are mogul-base. 3 320/350W Pulse Start Metal Halide lamp only. 4 400W Metal Halide requires reduced envelope ED28 lamp. 5 Dual Compact Fluorescent lamp options available in Type 4S distribution only. 6 Compact Fluorescent ballasts contain internal fusing. No supplemental fusing is necessary. CF ballasts are 120 through 277V. Specify with UNV voltage designation. 7 Products also available in non-US voltages and 50Hz for international markets. Consult factory for availability and ordering information. 8 Dual-tap is 120/277V wired 277V. 9 Multi-tap is 120/208/240/277V wired 277V. 10 Triple-tap is 120/277/347V wired 347V. 11 Custom and RAL color matching available upon request. Consult your INVUE Lighting Systems Representative for further information. 12 Add as suffix in the order shown. 13 Quartz options not available with SL optic. 14 Dual switching requires dual 57W or dual 70W Compact Fluorescent lamps. Allows independent switching control of each lamp through use of two (2) electronic ballasts. Allows 50% power reduction when dual ballasts are independently wired and controlled. 15 House side shield not available on 5S and SL optics. 16 Order separately, replace XX with color suffix. 17 For use in down lighting applications only. 18 Use when mounting fixture heads at 90° increments. 19 Specifications and dimensions subject to change without notice.

## Free Manuals Download Website

<http://myh66.com>

<http://usermanuals.us>

<http://www.somanuals.com>

<http://www.4manuals.cc>

<http://www.manual-lib.com>

<http://www.404manual.com>

<http://www.luxmanual.com>

<http://aubethermostatmanual.com>

Golf course search by state

<http://golfingnear.com>

Email search by domain

<http://emailbydomain.com>

Auto manuals search

<http://auto.somanuals.com>

TV manuals search

<http://tv.somanuals.com>