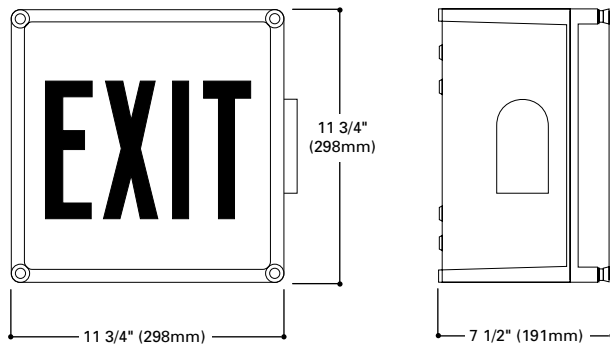


DIMENSIONS



DESCRIPTION

The UMX Series watertight and corrosion-resistant exit with tough polycarbonate lens is designed for use where rain, moisture, dust or corrosives are present. Economical long life fluorescent lamps provide highly visible signage and downlighting. The vibration resistant lamps make the UMX perfect for heavy industrial applications (NEMA 4X Listed).



UMX SERIES

Wet Location
AC Only
Self-Powered

EXIT LIGHTING

- NEMA 4X Listed
- Dual-voltage input 120/277VAC, 60Hz (Self-Powered Exits)
- Gray fiberglass housing
- Fully gasketed housing
- Tough, high contrast polycarbonate lens
- AC: two F6T5 fluorescent lamps
- DC: two 6V, 6W DC lamps
- Surface mount only
- Available with emergency lighting heads mounted on enclosure
- For operation in ambient temperatures above 32°F
- Self-powered Exits feature line-latching, solid-state voltage limited charger, solid-state switching, low-voltage disconnect, brownout circuit, overload/short-circuit protection, test switch/power indicator light
- UL 924 Wet Location Listed, Life Safety NFPA 101, NEC/OSHA, most state and local codes.

ORDERING INFORMATION — AC ONLY EXITS

Voltage	Red Letters/White Background				Green Letters/White Background			
	No Arrow	Left Arrow	Right Arrow	Double Arrow	No Arrow	Left Arrow	Right Arrow	Double Arrow
120 VAC	UMX7	UMX6	UMX8	UMX5	UMX3	UMX2	UMX4	UMX1
277 VAC	UMX71	UMX61	UMX81	UMX51	UMX31	UMX21	UMX41	UMX11

ORDERING INFORMATION

SAMPLE NUMBER: UMX7

Model Number	Accessories (Order Separately)	Vandal Shield
See chart	DC Socket Kit UDC6=Two 6V, 6.6W DC Lamps UDC12=Two 12V, 7.5W DC Lamps	WG7=Wire Guard VS2=Polycarbonate Vandal Shield VS2WP=Polycarbonate Vandal Shield/Weather Resistant

ORDERING INFORMATION — SELF-POWERED EXITS

Battery	Red Letters/White Background				Green Letters/White Background			
	No Arrow	Left Arrow	Right Arrow	Double Arrow	No Arrow	Left Arrow	Right Arrow	Double Arrow
Lead Calcium	UMX207	UMX206	UMX208	UMX205	UMX203	UMX202	UMX204	UMX201
Lead Calcium Battery w/Remote Capability	UMX107	UMX106	UMX108	UMX105	UMX103	UMX102	UMX104	UMX101
Nickel Cadmium	UMX227	UMX226	UMX228	UMX225	UMX223	UMX222	UMX224	UMX221

WATTAGE RATINGS

UMX201 – UMX208	Lead Calcium=18W for 1 1/2 hrs.; 15W for 2 hrs.
UMX101 – UMX108	Lead Calcium=27W for 1 1/2 hrs.; 24W for 2 hrs.
UMX221 – UMX228	Nickel Cadmium=15W for 1 1/2 hrs.; 12W for 2 hrs.

ORDERING INFORMATION

SAMPLE NUMBER: UMX207

Model Number	Factory Options	Accessories (Order Separately)
See chart	DH=Two 6V, 7.2W Weatherproof Heads (UMX101 thru UMX108 only) TDM=Time Delay Monitor (Exits with Heads only) TH=Thermal Heater for Battery Compartment (For Use w/Lead Calcium Exits)	WG7=Wire Guard Vandal Shield VS2=Polycarbonate Vandal Shield VS2WP=Polycarbonate Vandal Shield/Weather Resistant

Energy Data – AC Only Exits

	UMX Exits							
	Input Power;		Input Current (Max.):		Power Factor:		T.H.D.:	
	120V	277V	120V	277V	120V	277V	120V	277V
Fluorescent Exits-6W Lamps	19W	23W	.33A	.32A	>.47	>.26	<6%	<9%

Energy Data — Self-Powered Exits

	Charge Mode (Fully Discharged Battery) Sealed Lead Calcium Battery							
	Input Power;		Input Current (Max.):		Power Factor:		T.H.D.:	
	120V	277V	120V	277V	120V	277V	120V	277V
Fluorescent Exits - 6W Lamps	41W	43W	.51A	.22A	>.66	>.69	<14%	<14%

Standby Mode (Fully Charged Battery) Sealed Lead Calcium Battery Input Power consumption is reduced by approximately 18 Watts in the standby operating mode.

	Sealed Nickel Cadmium Battery							
	Input Power;		Input Current (Max.):		Power Factor:		T.H.D.:	
	29W	29W	.42A	.17A	>.57	>.62	<9%	<38%
Fluorescent Exits - 6W Lamps	29W	29W	.42A	.17A	>.57	>.62	<9%	<38%

Free Manuals Download Website

<http://myh66.com>

<http://usermanuals.us>

<http://www.somanuals.com>

<http://www.4manuals.cc>

<http://www.manual-lib.com>

<http://www.404manual.com>

<http://www.luxmanual.com>

<http://aubethermostatmanual.com>

Golf course search by state

<http://golfingnear.com>

Email search by domain

<http://emailbydomain.com>

Auto manuals search

<http://auto.somanuals.com>

TV manuals search

<http://tv.somanuals.com>