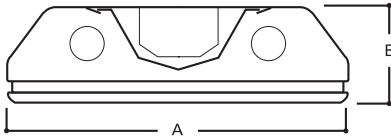


DIMENSIONS



LENGTH	A	B
4'	10" (254mm)	3-1/8" (79mm)

DESCRIPTION

The Ultra architectural designer modules have been designed to provide an energy efficient, low profile, low brightness luminaire that has an attractive modular styling. The Ultra Series is styled to be a luminaire with visual appeal for surface, stem or cable mounted installations. The low profile appearance of the luminaire and the door frame aesthetics blend to create an effective linear lighting system. This series can be used as a single lighting element or is an excellent choice when the specifications calls for a continuous row system for retail merchandising or commercial applications. Continuous row fixtures utilize 4' door frame sections and injection molded center mullion.



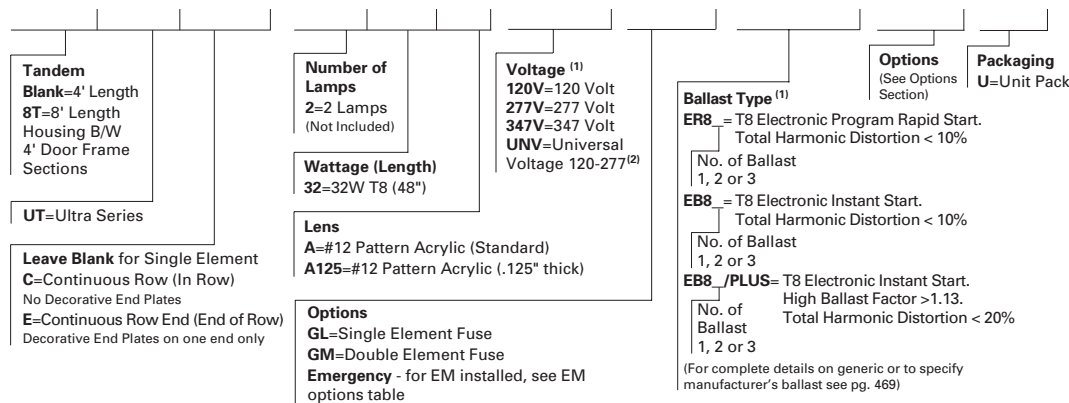
UT SERIES

**4' or 8' Surface
2 Lamps
White Door
Frame/Prismatic
Acrylic Lens**

**LOW PROFILE
ARCHITECTURAL
DESIGNER MODULES**

ORDERING INFORMATION

SAMPLE NUMBER: UT-232A-120V-EB81-U

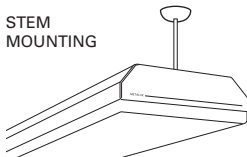


NOTES: (1)Products also available in non-US voltages and frequencies for international markets. (2)Not available when specifying emergencies, voltage must be specific. (3)2 endplates provided with each fixture.

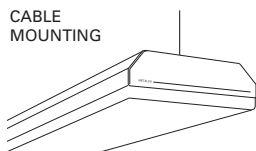
For complete product data, reference the Fluorescent Specification binder. Specifications & dimensions subject to change without notice. Consult your Cooper Lighting Representative for availability and ordering information.

INSTALLATION DATA

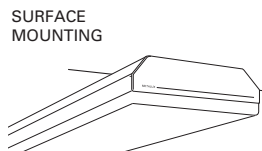
STEM MOUNTING



CABLE MOUNTING



SURFACE MOUNTING



- Die formed housing of code gauge prime cold rolled steel
- Decorative injection molded white end plate(3)
- Low profile housing design for architectural appeal
- Utilizes energy efficient ballasts and dedicated T8 Lamps
- Door frame positively secured by integral spring steel clips
- Softly styled, extruded aluminum door frame with low brightness prismatic lens
- Surface, stem or cable mounting accessories
- Durable, baked white polyester powder finish housing and door frame
- UL/CUL Listed. Suitable for damp locations.

Free Manuals Download Website

<http://myh66.com>

<http://usermanuals.us>

<http://www.somanuals.com>

<http://www.4manuals.cc>

<http://www.manual-lib.com>

<http://www.404manual.com>

<http://www.luxmanual.com>

<http://aubethermostatmanual.com>

Golf course search by state

<http://golfingnear.com>

Email search by domain

<http://emailbydomain.com>

Auto manuals search

<http://auto.somanuals.com>

TV manuals search

<http://tv.somanuals.com>