

COOPER LIGHTING - SURE-LITES®

DESCRIPTION

The Sure-Lites watertight, corrosion resistant exit with tough polycarbonate lens is designed for use where rain, moisture, dust or corrosives are present. Economical long-life fluorescent lamps provide highly visible signage and downlighting. The vibration resistant lamps make the UMX perfect for heavy industrial applications (NEMA 4X Listed).

Catalog #		Type
Project		
Comments		Date
Prepared by		

SPECIFICATION FEATURES

Electronic

- Dual Voltage Input
120/277 VAC, 60 Hz
- Line-latching
- Solid-state Voltage Limited Charger
- Solid-state Switching
- Brownout Circuit
- Low-Voltage Disconnect
- Overload/Short Circuit Protection
- Sealed Test Switch/Power Indicator Light

Housing Construction

- NEMA 4X corrosion resistant fiberglass housing
- Industrial grey color
- Vented enclosure

Housing Construction Cont.

- Tough, high contrast polycarbonate lens
- Rubber booted momentary test switch and gasketed charge indicator lamp
- Surface mount only
- Fully gasketed housing
- Wet Location Listed for operation in ambient temperatures above 32 degrees F.

Battery

- 6 Volt Sealed Lead Calcium or Sealed Nickel Cadmium
- Maintenance-Free, Long-Life
- Full Recharge Time 24 hrs. (max.)

Code Compliance

- UL 924 Wet Location Listed
- Life Safety NFPA 101
- NEC/OSHA
- Most State and Local Codes

Warranty

- Exit: 1-year
- Battery: 5-year pro-rata (Lead Calcium); 15-year pro-rata (Nickel Cadmium)

Lamp Data

- AC: Two F6T5 fluorescent lamps
- DC: Two 6V, 6W DC lamps
- Long-life, low energy consumption
- Available with emergency lighting heads mounted on enclosure - consult Cooper Lighting Representative



UMX SERIES

WET LOCATION EXITS
SELF-POWERED
EMERGENCY FLUORESCENT
LAMPS
Exit Lighting



ENERGY DATA

Charge Mode (Fully Discharged Battery)

Sealed Lead Calcium Battery

Fluorescent Exits - 6W Lamps

Input Power:

120V= 41W

277V= 43W

Input Current (Max.):

120V= .51A

277V= .22A

Power Factor:

120V= >.66

277V= >.69

T.H.D.:

120V= <14%

277V= <14%

Standby Mode (Fully Charged Battery)

Sealed Lead Calcium Battery

Input Power consumption is reduced by approximately 18 Watts in the standby operating mode.

Sealed Nickel Cadmium Battery

Fluorescent Exits - 6W Lamps

Input Power:

120V= 29W

277V= 29W

Input Current (Max.):

120V= .42A

277V= .17A

Power Factor

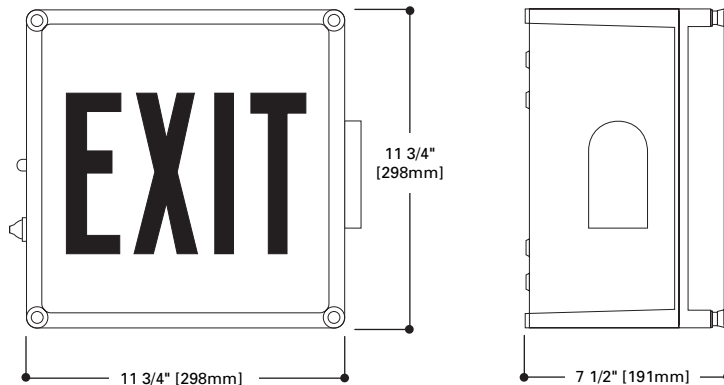
120V= >.57

277V= >.62

T.H.D.:

120V= <9%

277V= <38%



Sample Number: UMX203

Series UMX =Self-Powered Wet Location with Fluorescent Lamps	Letter Color / Arrow Direction 8=Red Letters / Right Arrow 7=Red Letters / No Arrow 6=Red Letters / Left Arrow 5=Red Letters / Double Arrow 4=Green Letters / Right Arrow 3=Green Letters / No Arrow 2=Green Letters / Left Arrow 1=Green Letters / Double Arrow	Options DH=Dual Heads	Accessories <u>Protective Housing</u> WG7 =Wire Guard VS2 =Polycarbonate Vandal Shield VS2WP =Polycarbonate Vandal Shield - Weather Proof	
Battery 20 =Self-Powered, Lead Calcium 10 =Lead Calcium Battery w/Remote Capability 22 =Self-Powered, Nickel Cadmium				

WATTAGE RATINGS

UMX201 – UMX208	Lead Calcium=18W for 1 1/2 hrs.; 15W for 2 hrs.
UMX101 – UMX108	Lead Calcium=27W for 1 1/2 hrs.; 24W for 2 hrs.
UMX221 – UMX228	Nickel Cadmium=15W for 1 1/2 hrs.; 12W for 2 hrs.

TECHNICAL DATA

Lamps

Two F6T5 fluorescent lamps provide long life and normal mode illumination of the lens. Two 6V, 6W DC lamps illuminate the face panel in the emergency mode.

Housing Construction

The Sure-Lites UMX Series incorporates a rugged enclosure of moisture and corrosion resistant industrial grey fiberglass with a durable polycarbonate lens. Housing is fully gasketed. A breather vent permits ventilation of internal pressure from gases released by charging batteries. UMX Series Exits are suitable for surface mounting only. Wet Location Listed for operation in ambient temperatures above 32°F. Optional Thermal Heater available to facilitate use in unheated areas where battery performance would be diminished due to low temperature operation.

Line-Latched

Sure Lites' line-latched electronic circuitry makes installation easy and economical. A labor efficient AC activated load switch prevents the lamps from turning on during installation to a non-energized AC circuit. Line-latching eliminates the need for a contractor's return to a job site to connect the batteries when the building's main power is turned on.

Solid-State Charger

Supplied with a 120/277 VAC, voltage regulated solid-state charger. Immediately upon restoration of AC current after a power failure, the charger provides a high charge rate. The charge circuit reacts to the condition of the battery and alters the rate of charge in order to maintain peak battery capacity and maximize battery life. Solid-state construction recharges the battery following a power failure in accordance with UL 924.

Overload and Short Circuit Protection

The solid-state overload monitoring device in the DC circuit disconnects the lamp load from the battery should excessive wattage demands be made and automatically resets when the overload or short circuit is removed. This overload current protective feature eliminates the need for fuses or circuit breakers for the DC load.

Brownout Circuit

The brownout circuit on Sure-Lites' exits monitors the flow of AC current to the exit and activates the emergency lighting system when a predetermined reduction of AC power occurs. This dip in voltage will cause most ballasted fixtures to extinguish causing loss of normal lighting even though a total power failure has not occurred.

Solid-State Transfer

The UMX Exit incorporates solid-state switching which eliminates corroded and pitted contacts or mechanical failures associated with relays. The switching circuit is designed to detect a loss of AC voltage and automatically energizes the lamps. Upon restoration of AC power, the emergency lamps will switch off and the charger will automatically recharge the battery.

Test Switch/Power Indicator Light

Conveniently located rubber booted Test Switch allows for manual verification of proper operation of the transfer circuit and emergency lamps. A sealed light emitting diode (Power Indicator Light) provides visual assurance that the AC power is on.

Sealed Lead Calcium Battery

The fully sealed, long-life, maintenance-free, lead calcium battery is ideal for emergency lighting applications. These batteries typically provide 8 to 10 years of life and may be operated in any position.

Sealed Nickel Cadmium Battery

Sure-Lites' sealed nickel cadmium batteries are maintenance-free with a life expectancy of 15 years. The sealed rechargeable nickel cadmium battery offers high discharge rates and stable performance over a wide range of temperatures. The specially designed resealable vent automatically controls cell pressure, assuring safety and reliability. This battery is best suited for harsh ambient temperatures because the electrolyte is not active in the electrochemical process.

Warranty

All Sure-Lites' products are backed by a firm one-year warranty against defects in material and workmanship (excluding lamps). Maintenance-free, long-life, sealed lead calcium batteries carry a five-year, pro-rata warranty. Maintenance-free, long-life, sealed nickel cadmium batteries carry a fifteen-year pro-rata warranty.

Free Manuals Download Website

<http://myh66.com>

<http://usermanuals.us>

<http://www.somanuals.com>

<http://www.4manuals.cc>

<http://www.manual-lib.com>

<http://www.404manual.com>

<http://www.luxmanual.com>

<http://aubethermostatmanual.com>

Golf course search by state

<http://golfingnear.com>

Email search by domain

<http://emailbydomain.com>

Auto manuals search

<http://auto.somanuals.com>

TV manuals search

<http://tv.somanuals.com>