

DESCRIPTION

The Harmony Compass combines exceptional aesthetics with remarkable strength. Cast, extra-heavy aluminum walls of the front/back housings offer rugged durability and afford efficient heat dissipation. A premium, five-stage paint finish further protects the housings. Full-round lens is fashioned from high-quality, tempered borosilicate glass. External convex prisms and internal sandblasted surfaces create a lens that gives a smooth, even glow. A liquid injection-molded silicone gasket provides a water- and dust-tight seal between the fixture's housing and front-lens assembly. Compass is CUL-listed for wet locations in all mounting positions.

Catalog #		Type
Project		
Comments		Date
Prepared by		

SPECIFICATION FEATURES

Application

This handsome fixture will blend seamlessly into virtually any unsupervised environment where broad, low-glare light distribution is esthetically pleasing and security essential: shopping centers, roadside malls, corporate building exteriors or transportation stations.

Lens

Affording optimal shock-resistance, full-round, molded, tempered borosilicate glass is 0.225 inches thick and floats on gasket. Dissipates heat and is unaffected by UV light, pollution and cleaning solutions. Relamping hook holds lens assembly for easier maintenance.

Optics

Internal, sandblasted matte finish and external, half-inch, convex pillow prisms spread lamp image and provide an even glow. Fixture boasts white 95% TR internal diffuser. Arc tube is centered within the fixture to provide rotationally symmetrical distribution without hot spots. For an even softer glow, use the optional - SW "Soft White Lens."

Surface Housing

Back housing is precision TruGen die-cast for superior strength and product uniformity. Marine-grade, low-copper-alloy aluminum resists corrosion. Extra-heavy thickness promotes durability and assures an efficient heat sink for internal components.

Regressed Housing

Cast housing is nominal .125" thick, marine grade, low copper alloy aluminum. Comes with concealed cast aluminum plate to seal regressed housing to front lens face. Two back-box configurations are available depending on installation. The BB option is for stud wall and other combustible material applications and comes with adjustable brackets for 18" to 24" on center spacing. The CP option is for concrete pour and other noncombustible material applications and comes with an adjustable bracket to accommodate variable wall thickness. A quick-connect plug wiring system allows for easy installation. Back box may be shipped separately for early installation (see REGRESSED HOUSING MOUNTING AND ADVANCED ORDERING INFORMATION). Wall mount only.

Gaskets

Long-life, injection-molded silicone gasket promotes water- and dust-tight seal between housing and front-lens assembly. 1/8-inch-thick, closed-cell EDPM gasket facilitates proper seal between luminaire and mounting surface. No additional caulking is required.

Lamp

(by others)

Socket

HID socket is a 4KV rated porcelain medium-base socket with a nickel-plated brass screw shell. CFL

Socket Cont.

socket incorporates 26-watt GX24q3; 32-watt; GX24q3; or 42-watt GX24q4 base with stainless-steel retention clip and a 2-pin reject that ensures proper lamping and lamp retention. Fluorescent socket is polycarbonate. Incandescent socket is porcelain medium-base with nickel-plated brass screw shell.

Ballast

CFL ballasts are electronic universal voltage 120-277V, less than 10% harmonic distortion with minimum starting temperature of -18°C (0°F). HID ballasts are standard HPF core & coil with minimum starting temperatures of -40°C (-40°F) for HPS and -30°C (-20°F) for MH.

Fasteners

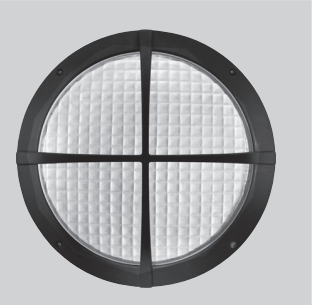
Four stainless-steel TORX® screws with center reject pin. Screw heads are recessed into casting to maximize tamper-resistance. Sealed with a gasket, fasteners are captive.

Finish

Finish is TGIC, textured, thermoset polyester-powdercoat that is applied in five-stage process at 2.0-mil thickness and baked on at 400° F. Finish is 500-hour-salt-spray test-rated and has an impact rating of 160 inch/pounds.

Labels

CUL wet-listed for wall and ceiling.



COMPASS 12"

Harmony(TM)

26W - 42W
Compact
Fluorescent

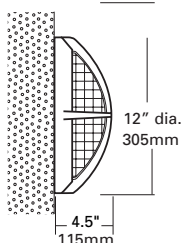
50W - 100W
High Pressure Sodium
Metal Halide

75W - 100W
Incandescent

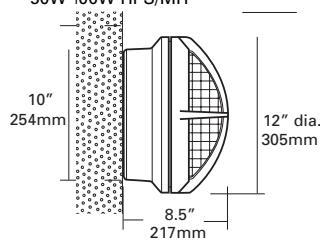
AccuView™
UV-Guard
INSIDE/OUTSIDE POLYCARBONATE
LENS COATING

TruGen™
PRECISION DIE-CASTING

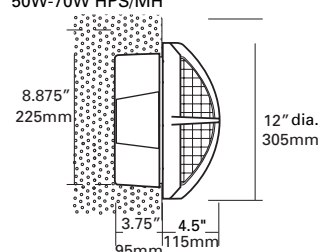
RCS-12
26W-42W CT
75W-100W IN



RCS-12
50W-100W HPS/MH



RCR-12
50W-70W HPS/MH



TORX® is a registered trademark of
Camcar Division of Textron Inc.

ORDERING INFORMATION

SAMPLE NUMBER: RCR-12-32CT-DT-BK-L

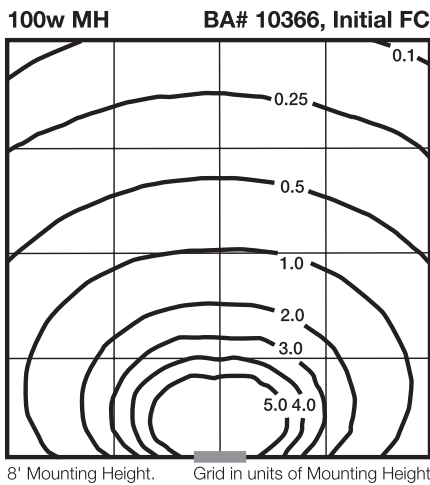
<p>Product Family RCS-12=Round Compass Surface, 12" Round RCR-12¹=Round Compass Regressed, 12" Round</p>	<p>Lamp Wattage/ Type Compact Fluorescent 26CT 32CT 42CT HID² 50MH 70MH 100MH</p> <p>50HPS 70HPS 100HPS Incandescent 75IN 100IN</p> <p>Voltage Compact Fluorescent DT=120/277 347=347V HID 120V=120V 208V=208V 240V=240V 277V=277V</p> <p>347V=347V DT³=Dual Tap 120V/277V (wired 277) MT³=Multi Tap 120/208/240/27 (wired 277) Incandescent 120V=120V</p>	<p>Color BK=Black WH=White</p> <p>Options P⁴=Polycarbonate Opal Lens EM⁵=Emergency Battery Pack F¹⁶=Fuse L=With lamp O=Quartz restrike (lamp supplied by others) QS=quartz socket only QLL=quartz lamp SC=(3) side conduit taps w/plugs (top, left, right)</p> <p>SW=Soft White glass lens RSM=Rough surface mounting</p> <p>Back Box Application Regressed Fixture only CP=Concrete pour regressed housing (Non-Combustible Materials Only) BB=Standard regressed housing (Combustible Materials Only)</p>	<p>Accessories (Order Separately) VRSD=TORX[®] screwdriver VRSB=TORX screwdriver bit</p>
--	---	---	--

NOTES: For additional options, consult your Cooper Lighting Representative. Specifications and dimensions subject to change without notice.
¹ 70W maximum all regressed fixtures. Wall mount only. Back box may be shipped in advance- see Regressed Housing Mounting & Ordering Information.
 Regressed housing is not necessary with standard incandescent fixtures. ² Ceiling mount HID units- 70W maximum and to be mounted on non-combustible material only. ³ Available wired voltages other than 277V, add desired voltage before MT or DT; (e. g. 120V/MT) ⁴ 75W maximum when ceiling mounted. 50W maximum regressed units. ⁵ Compact fluorescent fixtures only. Surface mount fixtures require deep (HID) housing. Available in semi-recessed. ⁶ For HID specify single voltage only.

TORX[®] is a registered trademark of Camcar Division of Textron Inc.

PHOTOMETRICS

Candlepower Distribution



Footcandle Multipliers
For other than 8' mounting heights use appropriate multiplier value:

6'	8'	10'	12'	14'
x1.7	x1.0	x0.64	x0.44	x0.32

Shipping Information

Cat. No.	Weight
RCS - 12 - XXCT	7.0 lbs
RCS - 12 - XXMH	13.5 lbs
RCR - 12 - XXMH	17.5 lbs
RCS - 12 - XXHPS	13.5 lbs
RCR - 12 - XXHPS	17.5 lbs

ENERGY DATA

Input Watts:

Electronic	
(1) 26W Compact Triple	27.0 Watts
(1) 32W Compact Triple	37.0 Watts
(1) 42W Compact Triple	47.0 Watts
High Power Factor	
(1) 50W HPS	60.0 Watts
(1) 70W HPS	95.0 Watts
(1) 100W HPS	130.0 Watts
(1) 50W MH	69.0 Watts
(1) 70W MH	94.0 Watts
(1) 100W MH	125.0 Watts

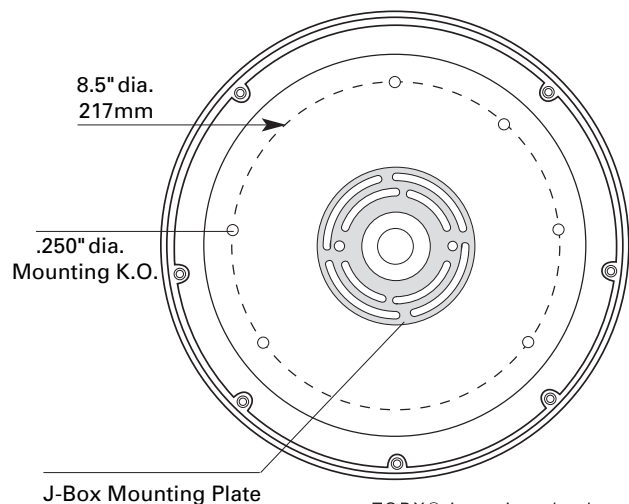
J-Box Mounting

Rotationally adjustable mounting bracket is screwed to J-Box. Fixture attaches to plate with (2) 1/4"-20 studs and nuts.

Surface Mounting

6 knock outs are provided in casting for mounting directly to surface. Mounting hardware supplied by others.

SURFACE HOUSING MOUNTING

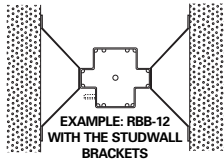


TORX[®] is a registered trademark of Camcar Division of Textron Inc.

REGRESSED SAMPLE NUMBER

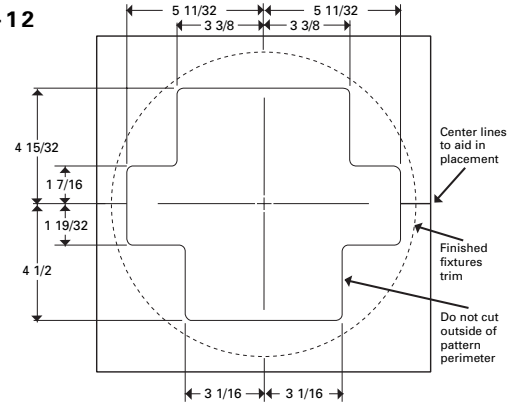
RCR-12-50MH-DT-BK-BB = RCR-12-LH-50MH-DT-BK-BB + RBB-12
Complete Unit

BB=Combustible Material Application
CP=Brick or Concrete Pour



LH=Less Regressed Housing

The following regressed housings may be ordered in advance
RBB-12-F=For Combustible (Studwall) Applications - Fluorescent Fixtures Only
RBB-12=For Combustible (Studwall) Applications - HID and Incandescent Fixtures Only
RCP-12=For Non-Combustible (Brick, Concrete-Pour) Applications - HID, Fluorescent, and Incandescent Fixtures



Cut-out Template Dimensions Included

TORX® is a registered trademark of Camcar Division of Textron Inc.

Free Manuals Download Website

<http://myh66.com>

<http://usermanuals.us>

<http://www.somanuals.com>

<http://www.4manuals.cc>

<http://www.manual-lib.com>

<http://www.404manual.com>

<http://www.luxmanual.com>

<http://aubethermostatmanual.com>

Golf course search by state

<http://golfingnear.com>

Email search by domain

<http://emailbydomain.com>

Auto manuals search

<http://auto.somanuals.com>

TV manuals search

<http://tv.somanuals.com>