

DESCRIPTION

Remodel Microgem low voltage recessed housing with integral electronic transformer 50W max. 120V or 277V.

For remodel applications. Insulation must be kept 3" from all sides and at least 1" above the housing.

Catalog #		Type
Project		
Comments		Date
Prepared by		

SPECIFICATION FEATURES

A...Housing

Low voltage recessed fixture housing for remodel installations. Includes integral electronic low voltage transformer. All steel construction with durable white powder coat finish. 14 ga. steel junction box.

B...Electrical

Socket is pre-wired to the j-box 18AWG SF-1 leads. Primary lead is 120V or 277V. Transformer is rated 180° Class H.

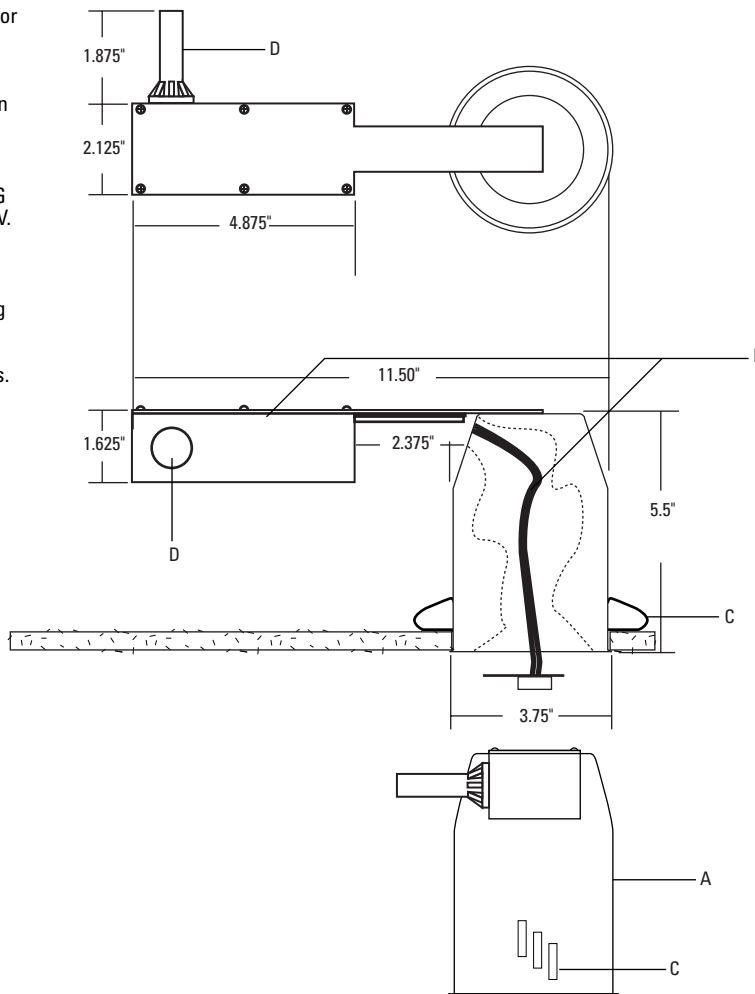
C...Mounting

Provided with three (3) spring mounting clips. Can accommodate 1/2", 1", and 1 1/2" ceiling thickness. Mechanical height adjustment for level installations.

D...System Protection

Transformers have thermal protection and operate at 11.5 volts nominal.

Ceiling Cut-Out: 3.75" dia.



MICROGEM HOUSING

C600EL
Remodel Housing
w/ Integral Low
Voltage Electronic
Transformer
FOR 12V LAMP 50W max.



ORDERING INFORMATION

C600EL	
Housing C600EL = Microgem low voltage remodel housing. With integral low voltage electronic transformer.	Voltage 120 = 120 volts primary 277 = 277 volts primary

Free Manuals Download Website

<http://myh66.com>

<http://usermanuals.us>

<http://www.somanuals.com>

<http://www.4manuals.cc>

<http://www.manual-lib.com>

<http://www.404manual.com>

<http://www.luxmanual.com>

<http://aubethermostatmanual.com>

Golf course search by state

<http://golfingnear.com>

Email search by domain

<http://emailbydomain.com>

Auto manuals search

<http://auto.somanuals.com>

TV manuals search

<http://tv.somanuals.com>