

DESCRIPTION

A return to simplicity, elegance and minimalism ... Slender lines of unbroken light set in an architectural environment are the essence of Straight and Narrow. This series accommodates most architectural lighting design applications.

Features:

- Straight and Narrow embodies Neo-Ray's critical attention to architectural detail as well as lighting performance.
- Continuous and unbroken light.
- Extruded aluminum housing offers precise in-line appearance.
- Runs are provided to nearest foot.

SPECIFICATION FEATURES

Construction

Extruded aluminum housing. Nominal 3', 4', 6' or 8' illuminated sections.

Shielding

Trimless, snap-in white high transmission acrylic diffuser. Snap-in high performance semi-specular or white parabolic louver.

Electrical

120, 277, 347 or universal voltage, electronic ballast. Fixtures and electrical components certified to UL and CUL standards.

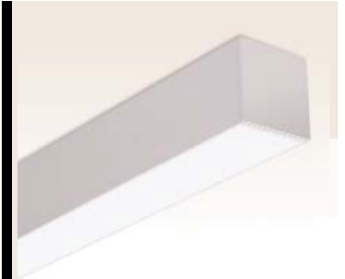
Finish

Durable, low gloss, white powder coated acrylic. Optional custom finish.

Mounting

Surface:
(ETG) Exposed T-grid 15/16"
(STG) Screw Slot Grid 9/16"
(SR) Sheet Rock

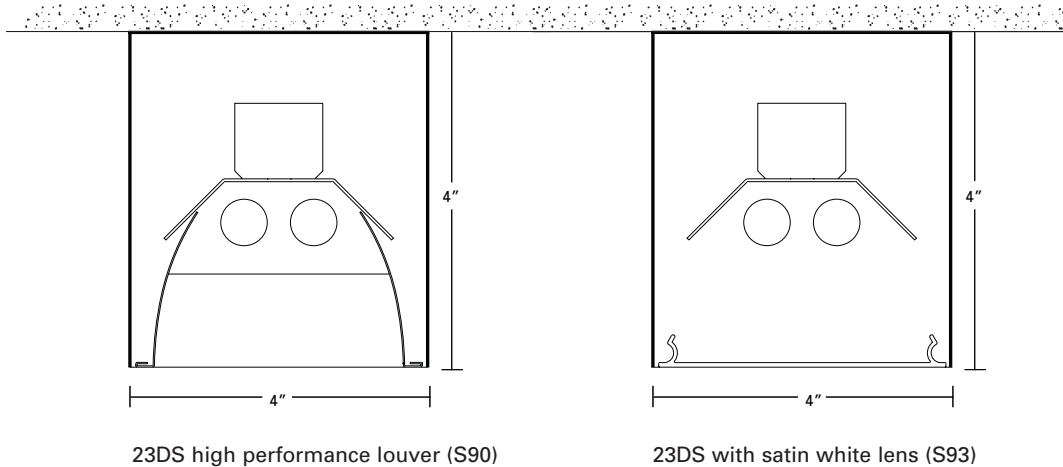
Catalog #		Type
Project		
Comments		Date
Prepared by		



Straight and Narrow 23DS

T8, T5 or T5HO

SURFACE DIRECT

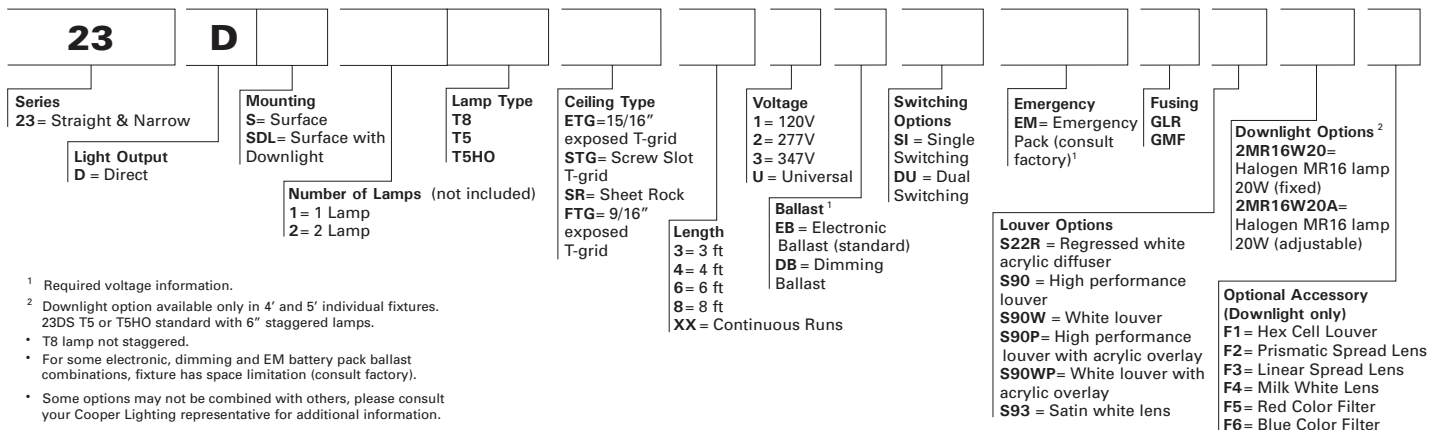


23DS high performance louver (S90)

23DS with satin white lens (S93)

ORDERING INFORMATION

SAMPLE NUMBER: S23DSDL-2T5HO-STG21-UEB-SI-EM-GLR-S22R-2MR16W20



¹ Required voltage information.

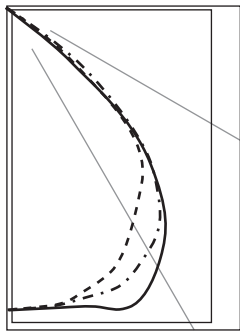
² Downlight option available only in 4' and 5' individual fixtures. 23DS T5 or T5HO standard with 6" staggered lamps.

• T8 lamp not staggered.

• For some electronic, dimming and EM battery pack ballast combinations, fixture has space limitation (consult factory).

• Some options may not be combined with others, please consult your Cooper Lighting representative for additional information.

PHOTOMETRICS



23DS
 1T8 lamp with
 High Performance
 Louver (S90)
 Efficiency 76.7%
 Test#13423

0 - - - -
 45 - · - · -
 90 - ———

Zonal Lumen Summary

Zone	Lumens	%Lamp	%Fixture
0-30	965	32.7	42.7
0-40	1589	53.9	70.3
0-60	2245	76.1	99.3
0-90	2261	76.7	100.0
0-180	2261	76.7	100.0

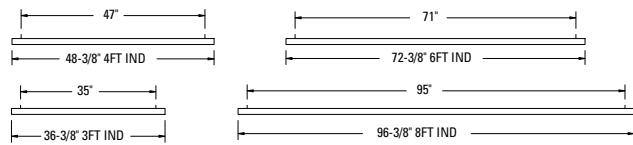
Total Luminaire Efficiency = 76.7%

Candela

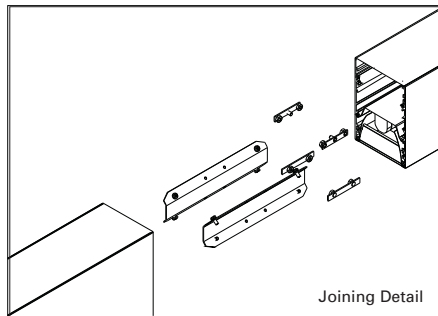
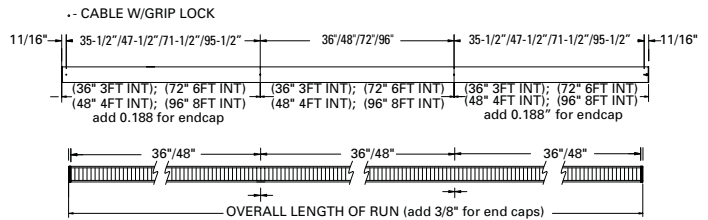
Angle	Along ll	45°	Across ⊥
0	1167	1167	1167
5	1164	1160	1160
15	1136	1155	1196
25	1047	1137	1231
35	891	1022	1052
45	664	714	689
55	70	180	51
65	8	8	10
75	3	1	1
85	1	1	1
90	0	0	0

MOUNTING INFORMATION

INDIVIDUAL



ROWS



FEATURES AND OPTIONS

OPTICAL OPTIONS



MR16 OPTIONS



SERIES COMPANION PRODUCTS (Reference other spec sheets if necessary)



Free Manuals Download Website

<http://myh66.com>

<http://usermanuals.us>

<http://www.somanuals.com>

<http://www.4manuals.cc>

<http://www.manual-lib.com>

<http://www.404manual.com>

<http://www.luxmanual.com>

<http://aubethermostatmanual.com>

Golf course search by state

<http://golfingnear.com>

Email search by domain

<http://emailbydomain.com>

Auto manuals search

<http://auto.somanuals.com>

TV manuals search

<http://tv.somanuals.com>