

DESCRIPTION

A return to simplicity, elegance and minimalism...Slender lines of unbroken light set in an architectural environment are what of essence of Straight and Narrow is all about. Accommodates most architectural lighting design applications.

Features:

- Straight and Narrow embodies Neo-Ray's critical attention to architectural detail as well as lighting performance
- Continuous and unbroken light
- Extruded aluminum housing offers precise in-line appearance
- Runs are provided to nearest foot

Catalog #	Type
Project	
Comments	
Prepared by	Date

SPECIFICATION FEATURES

Construction

Extruded aluminum housing. Nominal 3', 4', 6' or 8' illuminated sections.

Shielding

Trimless, snap-in white high transmission acrylic diffuser. Snap-in high performance semi-specular or white parabolic louver.

Electrical

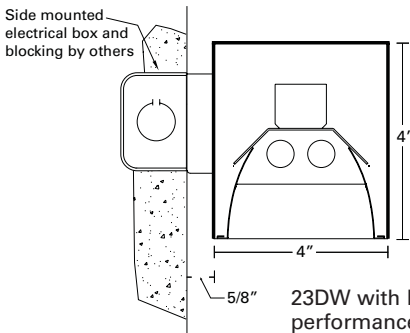
120, 277, 347 or universal voltage, electronic ballast. Fixtures and electrical components certified to UL and CUL standards.

Finish

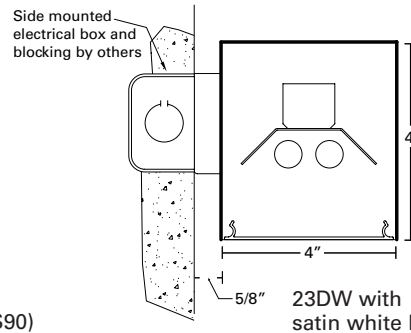
Durable, low gloss, white powder coated acrylic. Optional custom finish.

Mounting

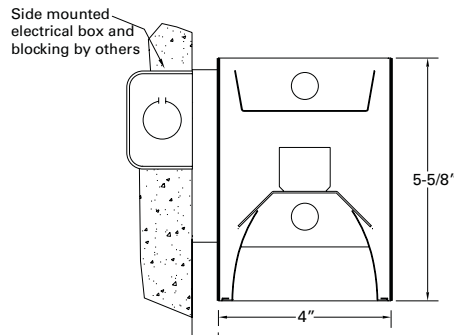
Fixture mounts directly to existing structure over a standard electrical box (not supplied by Neo-Ray). Blocking provided by others.



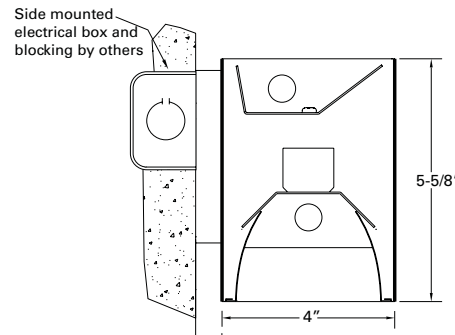
23DW with high performance louver (S90)



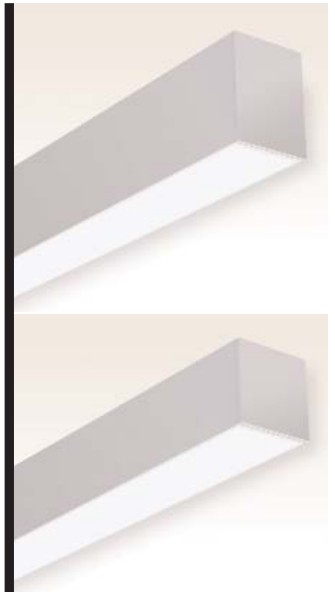
23DW with satin white lens (S93)



23DIW 1x1 with high performance louver (S90)



23ADIW 1x1 with high performance louver (S90)



Straight & Narrow

23DIW
23DW
23ADIW

T8, T5 or T5HO

WALL
DIRECT-INDIRECT
DIRECT

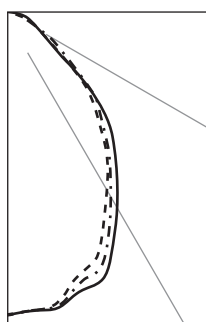
ORDERING INFORMATION

SAMPLE NUMBER: S23DIW/1X1T5/4/1EB-SI-EM-GLR-S90

23	W								
<p>Series 23=Straight & Narrow 23A=Assymetric Straight & Narrow</p>	<p>Mounting W=Wall</p>	<p>Lamp Type T8 T5 T5HO</p>	<p>Length 3=3 ft 4=4 ft 6=6 ft 8=8 ft XX=Continuous Runs</p>	<p>Voltage 1=120V 2=277V 3=347V U=Universal</p>	<p>Switching Options SI=Single Switching DU=Dual Switching</p>	<p>Emergency EM=Emergency Pack (consult factory)¹</p>	<p>Fusing GLR GMF</p>	<p>Louver Options S22R=Regressed white acrylic diffuser S90=High performance louver S90W=White louver S90P=High performance louver with acrylic overlay S90WP=White louver with acrylic overlay S93=Satin white lens</p>	
<p>Light Output DI=Direct-Indirect D=Direct</p>	<p>Number of Lamps (not included) 1=1 Lamp (DW only) 2=2 Lamp (DW only) 1x1=1 Lamp up/ 1 Lamp down (DIW only) 1x2=1 Lamp up/ 2 Lamps down (DIW only) 2x2=2 Lamps up/ 2 Lamps down (23 Series DIW only) 2x1=2 Lamps up/ 1 Lamp down (23 Series DIW only)</p>				<p>Ballast¹ EB=Electronic Ballast (standard) DB=Dimming Ballast</p>				

¹ Requires voltage information
 • 23DW T5 or T5HO standard with 6" staggered lamps
 • T8 lamp not staggered
 • For some electronic, dimming and EM battery pack ballast combinations fixture has space limitation (consult factory)
 • Not all option combinations available, please consult your COOPER Lighting rep for additional information

PHOTOMETRICS



23DW
 2T5 lamp with
 White Louver (S90W)
 Efficiency 68.1%
 Test#13431

0 - - - -
 45 - · - · -
 90 - ———

Zonal Lumen Summary

Zone	Lumens	%Lamp	%Fixture
0-30	1546	26.7	39.1
0-40	2358	40.6	59.7
0-60	3495	60.3	88.4
0-90	3952	68.1	100.0
0-180	3952	68.1	100.0

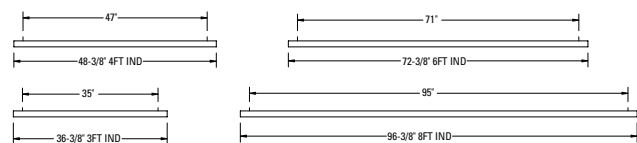
Total Luminaire Efficiency = 68.1%

Candela

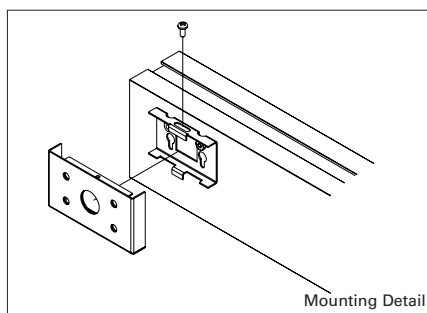
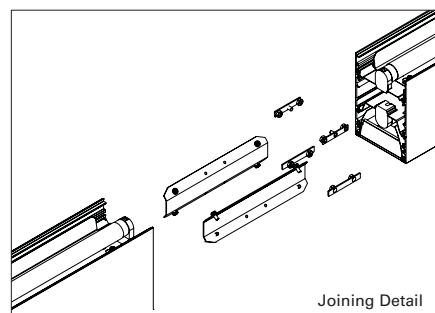
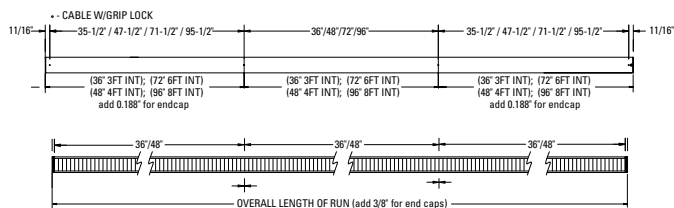
Angle	Along ll	45°	Across ⊥
0	2114	2114	2114
5	2085	2087	2090
15	1921	1971	2014
25	1623	1701	1774
35	1242	1280	1365
45	868	916	951
55	406	506	516
65	249	263	311
75	132	135	152
85	36	36	39
90	0	0	0

MOUNTING INFORMATION

INDIVIDUAL



ROWS



FEATURES AND OPTIONS

OPTICAL OPTIONS



SERIES COMPANION PRODUCTS (Reference other spec sheets if necessary)



Free Manuals Download Website

<http://myh66.com>

<http://usermanuals.us>

<http://www.somanuals.com>

<http://www.4manuals.cc>

<http://www.manual-lib.com>

<http://www.404manual.com>

<http://www.luxmanual.com>

<http://aubethermostatmanual.com>

Golf course search by state

<http://golfingnear.com>

Email search by domain

<http://emailbydomain.com>

Auto manuals search

<http://auto.somanuals.com>

TV manuals search

<http://tv.somanuals.com>