

SURE-LITES

Installation Instructions for 12X-HZP or 12X-HZB Series DC Incandescent Lighting Fixtures For Hazardous Locations

IMPORTANT SAFEGUARDS

WHEN USING ELECTRICAL EQUIPMENT, BASIC SAFETY PRECAUTIONS SHOULD ALWAYS BE FOLLOWED INCLUDING THE FOLLOWING:

1. **READ AND FOLLOW ALL SAFETY INSTRUCTIONS.**
2. These fixtures are designed to operate on a 12V DC power system. Do not connect to any other power supply.
3. Do not let power supply cords touch hot surfaces.
4. Do not mount near gas or electric heaters.
5. Equipment should be mounted in locations and at heights where it will not readily be subjected to tampering by unauthorized personnel.
6. The use of accessory equipment not recommended by *Sure-Lites* may cause an unsafe condition.
7. Do not use this equipment for other than its intended purpose.
8. The globe is tempered explosion-proof glass, avoid scratching or chipping.
9. **SAVE THESE INSTRUCTIONS.**

12X SERIES INCANDESCENT LIGHTING FIXTURES FOR HAZARDOUS LOCATIONS

WARNING

Be certain that power is OFF before starting installation.

INSTALLATION

1. Unscrew and remove pendant assembly from hood assembly.
2. Install pendant assembly on conduit as shown in Figure 1 for 12X-HZP or wall bracket as shown in Figure 5 for 12X-HZB.
3. Tighten set screw in pendant hub to secure pendant to conduit. Check set screw in junction box hub to insure that it is secured to conduit.
4. Attach field wiring to medium base receptacle terminal screws or to the fixture leads from the mogul base receptacle.
5. Separate globe assembly from hood assembly by loosening thumbscrew on hood assembly and unscrewing globe assembly (Fig. 3).
6. Install hood assembly on pendant assembly (Fig. 2).
7. Tighten set screw at top of hood assembly to secure hood to pendant assembly.
8. Install proper lamp in lampholder. (See listed maximum wattage on name plate).
9. Install globe assembly on hood assembly.
10. Tighten thumbscrew located in hood assembly.

NOTE

The globe assembly should be backed off so thumbscrew enters closest notch in globe assembly to insure secure fastening (Fig. 3).

11. Assemble guard using three mounting screws furnished with the globe assembly.
12. Turn power on.

WARNING

The globe is tempered explosion-proof glass, avoid scratching or chipping.

WIRING RECOMMENDATIONS

Use following type of wire: AF*, PF, PGF, PFF, PGFF, PTF, PTF, SF-1, SF-2, SFF-1 or SFF-2. *Type AF must not be used where moisture might be present. If necessary, an additional junction box can be installed in which the type AF wire is spliced to recommended circuit wires for the fixture. The interior of the junction box and the fixture must be kept dry.

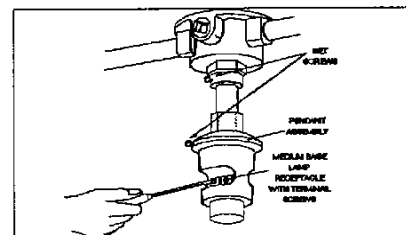


Figure 1.
12X-HZP Series

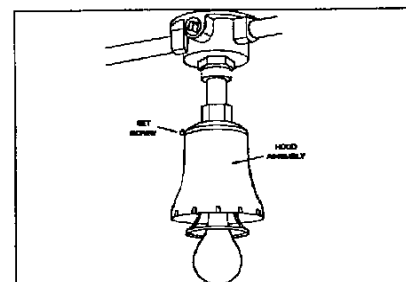


Figure 2.

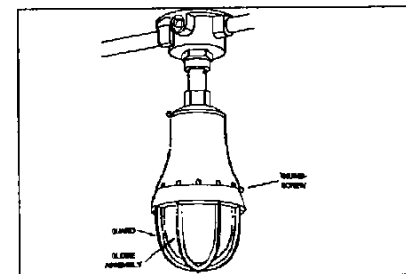


Figure 3.

SURE-LITES

Installation Instructions for 12X-HZP or 12X-HZB Series DC Incandescent Lighting Fixtures For Hazardous Locations

Class I Groups C, D and Class II Groups E, F, G

Basic Cat. No.	Lamp	Lamp Voltage
12X-25-HZP	25W MAX. A19	12V DC
12X-25-HZB	25W MAX A19	12V DC
12X-15-HZP	15W MAX. A17	12V DC
12X-15-HZB	15W MAX A17	12V DC

GROUNDING

Where extra grounding wire is required it can be installed as shown below.

12V DC Power Supply

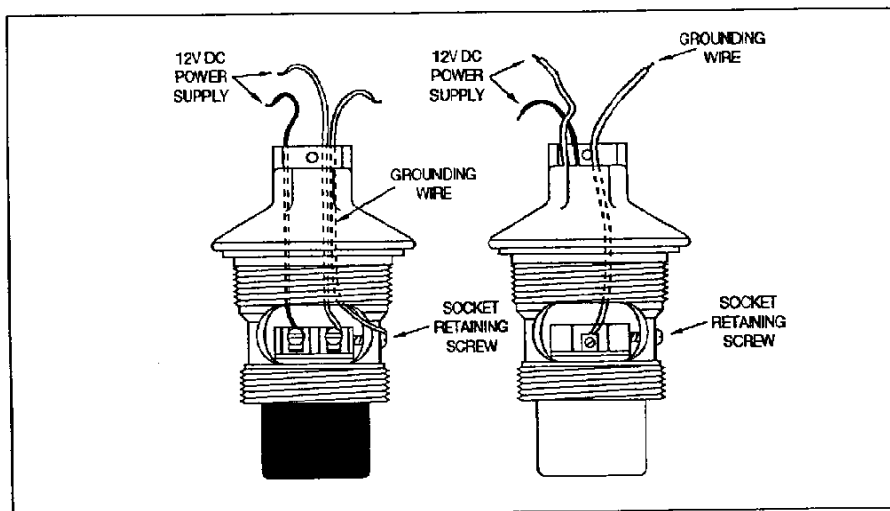
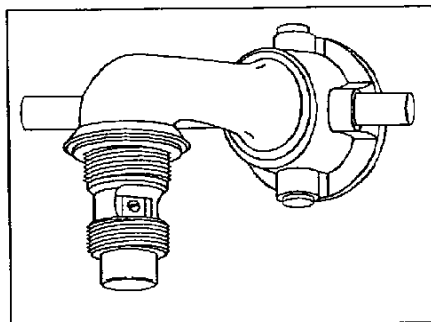


Figure 4



12X-HZB Series
Bracket Mount
Figure 5



Cooper Lighting

SURE-LITES 400 BUSSE ROAD ELK GROVE VILLAGE, IL 60007

696851

Free Manuals Download Website

<http://myh66.com>

<http://usermanuals.us>

<http://www.somanuals.com>

<http://www.4manuals.cc>

<http://www.manual-lib.com>

<http://www.404manual.com>

<http://www.luxmanual.com>

<http://aubethermostatmanual.com>

Golf course search by state

<http://golfingnear.com>

Email search by domain

<http://emailbydomain.com>

Auto manuals search

<http://auto.somanuals.com>

TV manuals search

<http://tv.somanuals.com>