

DESCRIPTION

The 1220 Deep Bowl Direct/Indirect High Performance Luminous Pendant features a Traditional Trim Ring (TTR) or a Double Trim Ring (2TR) and is available in three diameters with multiple mounting options.

Catalog #		Type
Project		
Comments		Date
Prepared by		

SPECIFICATION FEATURES

Material/Mounting

Painted and plated cold rolled steel or natural aluminum with a matte acrylic bowl.

Single Stem (Standard): 5/8" stem with a standard hang height of 30" (OA) for the 26" dia., 36" (OA) for the 36" dia. and 46" (OA) for the 44" dia. Minimum overall hang height is 24" (OA). Maximum overall hang height for one piece stem assembly is 8' (OA). 9' to 30' (OA) stems are supplied in multiple sections and require field assembly. Supplied with a swivel canopy which will accommodate up to 45° adjustment.

Finish

Standard: Matte White (MW). Premium: Unlacquered Natural Aluminum (NA) [Sustainable Design], Satin Chrome (SC), Polished Chrome (PC), Satin Nickel (SN), Polished Nickel (PN), Satin Brass (SB), Polished Brass (PB), Oxidized Brass (OBRS), Lacquered Satin Aluminum (SAL), Satin Copper (SCP), Polished Copper (PCP), Oxidized Copper (OCP), Gun Metal (GNM) or Custom Paint Color (CC). Regressed solid edge (between rings) will be satin finish with all polished finishes with the 2TR.

Custom Decorative Metals: (Specify a Color and Pattern) Colors - Clear (CLR), Cabernet (CBT), Sapphire (SPE), Sage (SGE), Brass (BRS), Copper (CPR), Black Pearl (BPL), Slate Green (SGN), Champagne (CMP), Chocolate (CLE), Indigo (IDO), Royal Blue (RBE), or Pewter (PWR). Patterns - Coral (COL), Seashell (SHL) or Smooth (SMT). Note: Select a standard or premium finish for the stem(s) and canopy. Example: SGE (Sage color finish) - SMT (Smooth pattern) - SC (Satin Chrome) stem(s) and canopy. Minimum quantity is 5 for one color/pattern. Contact the factory for lead time.

Optics

Refer to www.shaperlighting.com for complete photometrics.

Ballast

Integral CFL electronic HPF, multi-volt 120/277V (347V Canada), thermally protected with end-of-life circuitry to accommodate the specific lamp wattage. Metal Halide ballast is electronic HPF, multi-volt (120V/277V) for the specified lamp wattage. 347V MH ballast - contact factory.

Lamp/Socket

26" - Three (3) or six (6) 27W (2G11) 4-pin high lumen CFL lamps, three (3) 32W (GX24q-3) or 42W (GX24q-4) 4-pin triple, 60W (2G8) 4-pin triple HO CFL lamps, three (3) 39W or 70WT6 CDM metal halide lamps or three (3) 150WT4 (DC Bay) clear linear halogen lamps. One (1) 22W (2GX13)T5 circular lamp (bowl illumination). 36" - Three (3) or six (6) 27W, 39W, 40W, 50W, or 55W (2G11) 4-pin high lumen CFL lamps, three (3) 42W (GX24q-4) 4-pin triple or 57W (GX24q-5), 60W (2G8), 70W (GX24q-6), 85W (2G8) or 120W (2G8) 4-pin triple HO CFL lamps or three (3) 39W, 70W or 150WT6 CDM metal halide lamps or three (3) 150WT4 (DC Bay) clear linear halogen lamps. One (1) 40W (2GX13)T5 circular lamp (bowl illumination). 44" - Four (4) or (8) 27W, 39W, 40W, 50W or 55W (2G11) high lumen CFL lamps, four (4) 57W (GX24q-5), 70W (GX24q-6), 4-pin triple HO CFL lamps, four (4) 70W or 150WT6 CDM metal halide lamps, one (1) 175W (ED-17), 250W (ED-28) or 400W (ED-28) metal halide lamp or four (4) 150WT4 (DC Bay) clear linear halogen lamps. One (1) 40W (2GX13)T5 circular lamp (bowl illumination). CFL sockets injection molded plastic. Metal halide socket ceramic pulse-rated, 4KV. Lamps furnished by others.

Installation

Installation requires 1/4-20 UNC-2A AllThread rod. All Thread (supplied by others) through a standard J-box to an integral support canopy support system. The 1/4-20 UNC-2A All Thread rod must be attached to the building structure to support the fixture's weight.

Options

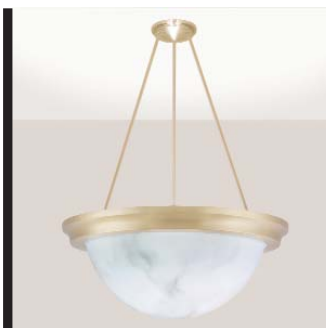
Dimming Ballast - Except 27W, contact factory for ballast options (DM), Sloped Ceiling Adaptor - Specify up to 45 degrees (SCA), Triple Stem (3S), Single Stem with Aircraft Cable (1SAC), Aircraft Cable with White SJ Cord (SJWAC), Aircraft Cable with Clear SJ Cord (SJCAC), Quad Pod - 44" only (QP), Tri-Pod - 26" and 36" only (TP), Hand Painted Faux Alabaster Bowl (FB), Remote Emergency Battery (REM) consult factory, Separate Switching (SSW), Factory Fuse (FF), Downlight (D) - contact factory. Contact factory for Multi-bowl and alternative mounting options.

Labels

U.L. and C.U.L. listed.

Modifications

Shaper's skilled craftspeople with their depth of experience offer the designer the flexibility to modify standard high performance pendant luminaires for project specific solutions. Contact the factory.



1220-TTR SERIES

High Performance
Pendant Luminaire
Indirect/Direct
Deep Bowl with
Two Trim Options



**New Custom
Decorative Metals Finish**

HIGH PERFORMANCE OPTICS

Shaper offers a line of products that offer optically-engineered, high performance optics for compact fluorescent, metal halide and halogen sources.

SUSTAINABLE DESIGN

Shaper has a long-standing history of offering environmentally-friendly fixtures. The copper and bronze alloys used in our exterior luminaires feature up to 98% recycled content, contribute less undesirable air emissions compared to painted aluminum and are easy to recycle.

Refer to the Icon Legend
Link on shaperlighting.com.

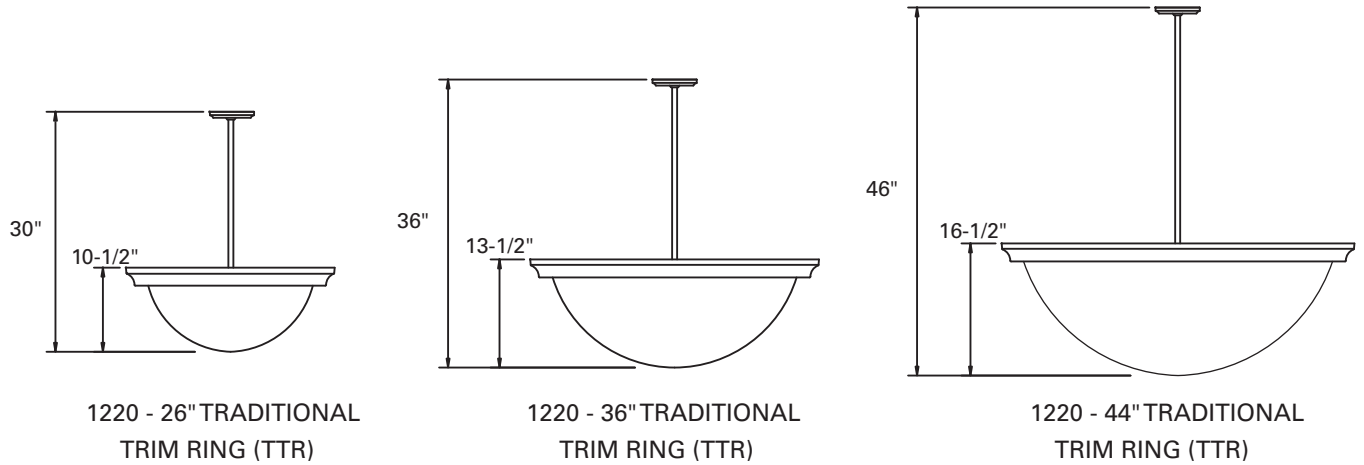
Sample Number: 1220-TTR-44-CFL/4/57 + T5/1/40-120V-SN-REM-46

Series 1220-2TR 1220-TTR	Lamp 26" 36" 44"	Lamp (Bowl) T5/1/22 ^{1,2} T5/1/40 ³	Finish <u>Standard</u> MW=Matte White <u>Premium</u> CC=Custom Color NA=Natural Aluminum OBRS=Oxidized Brass PB=Polished Brass ¹ PC=Polished Chrome ¹ PCP=Polished Copper ¹ PN=Polished Nickel ¹ SAL=Lacquered Satin Aluminum SB=Satin Brass SC=Satin Chrome SCL=Lacquered Satin Chrome SCP=Satin Copper SN=Satin Nickel SNL=Lacquered Satin Nickel	Custom Decorative ⁴ Metals CLR=Clear CBT=Cabernet SPE=Sapphire SGE=Sage BRS=Brass CPR=Copper BPL=Black Pearl SGN=Slate Green CMP=Champagne CLE=Chocolate IDO=Indigo RBE=Royal Blue PWR=Pewter	Pattern ² COL=Coral SHL=Seashell SMT=Smooth	Stem and Canopy Finish ⁵ <u>Standard</u> MW=Matte White <u>Premium</u> CC=Custom Color NA=Natural Aluminum OBRS=Oxidized Brass PB=Polished Brass ¹ PC=Polished Chrome ¹ PCP=Polished Copper ¹ PN=Polished Nickel ¹ SAL=Lacquered Satin Aluminum SB=Satin Brass SC=Satin Chrome SCP=Satin Copper SN=Satin Nickel	Options 1SAC=Single Stem Aircraft Cable 3S=Three Stem QP=Quad-Pod SJCAC=Aircraft Cable w/ Clear SJ Cord SJWAC=Aircraft Cable w/ White SJ Cord TP=Tri-Pod ¹ D=Downlight DL=Damp Location DM=CFL Dimming Ballast ³ FF=Factory Fuse REM=Remote Emergency Battery ⁶ SCA=Sloped Ceiling Adapter SSW=Separate Switching FB=Hand Painted Faux Alabaster Bowl
---------------------------------------	----------------------------	--	---	--	--	--	---

Notes:
¹ Available in 26" Only. ² Available with Custom Decorative Metal Finish only. ³ T5 22 & 40W - dimming ballast are not available. If bowl illumination requires dimming, contact the factory for a T5-55W MOD. ⁴ Interior applications only.
⁵ Select a standard or premium finish for the stem(s) and canopy. Example: SGE (Sage color) - SMT (Smooth pattern) - for the double trim rings stem(s) and canopy. Minimum quantity is 5 for one color/pattern. Contact the factory for lead-time.
⁶ Supplied by others.

Suspension Height
 30" (OA) - 26" dia.
 36" (OA) - 36" dia.
 46" (OA) - 44" dia.
 or Specify

DIMENSIONS



SUSPENSION OPTIONS

Triple Stem (3S): stem with a standard hang height of 24" (OA), minimum 18" (OA). Maximum overall hang height for one piece stem assembly is 5' (OA). Lengths from 5' to 25' a collector SCA for sloped ceilings up to 45°.

Single Stem Aircraft Cable (1SAC): standard hang height of 24" (OA), minimum 18" (OA). Maximum overall hang height is 8' (OA). Contact factory for lengths above 8'. Specify SCA for sloped ceilings up to 45°.

Aircraft Cable with a White SJ Cord (SJWAC): 3/32" cables with a standard hang height of 24" (OA), minimum 18" (OA). Optional clear SJ cord (SJCAC).

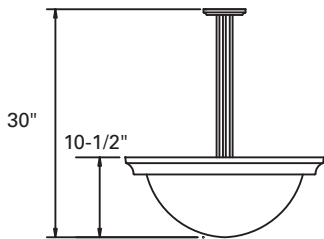
Tri-Pod (TP): 3/32" cables with a standard hang height of 24" (OA), minimum 18" (OA). Maximum overall hang height is 25' (OA). Contact factory for lengths above 25'. Specify SCA for sloped ceilings up to 45°. 26" & 36" dia. only.

Quad-Pod (QP): minimum 18" (OA). Maximum overall hang height is 25' (OA). Contact factory for lengths above 25'. Specify SCA for sloped ceilings up to 45°. 44" dia. only.

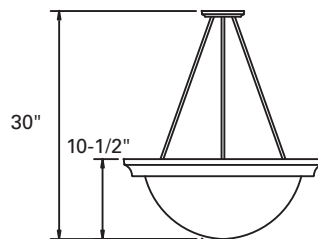
INSTALLATION

Contractor to provide appropriate structural support for fixture weight. Refer to the installation drawings for details. Integral safety cable provided (1SAC).

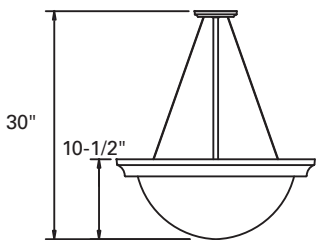
1220-TTR - SUSPENSION OPTIONS STANDARD



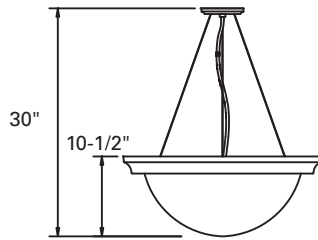
1220-TTR - TRIPLE STEM (3S)



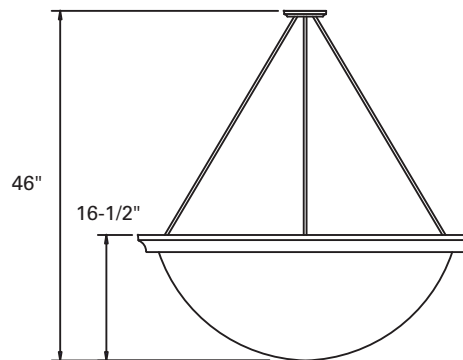
1220-TTR - TRI-POD HANGER - 26" & 36" (TP)



1220-TTR - SINGLE STEM AIRCRAFT CABLE (1SAC)

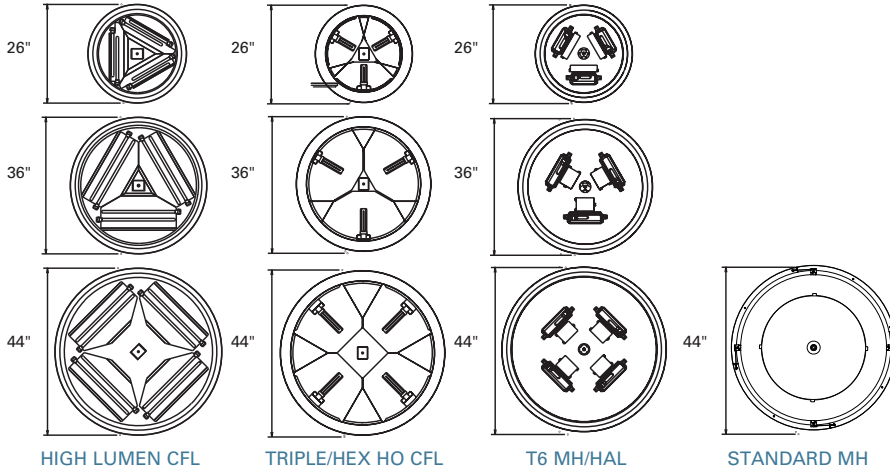


1220-TTR - AIRCRAFT CABLE WITH SJ CORD (SJAC)

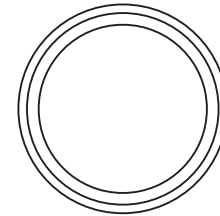


1220-TTR - QUAD-POD HANGER - 44" (QP)

1220-TTR - OPTIC DRAWINGS STANDARD

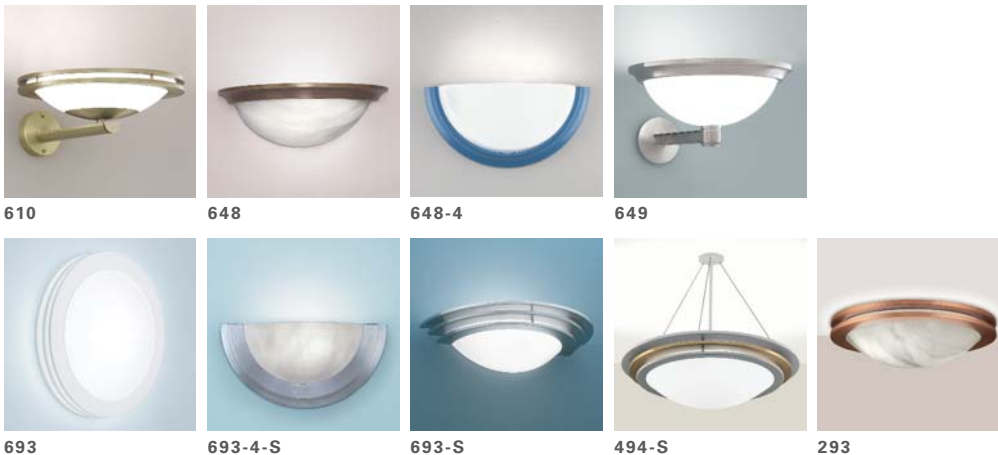


1220-TTR - PLAN VIEW STANDARD



1220-TTR - TRADITIONAL TRIM

COMPANION PRODUCTS



Free Manuals Download Website

<http://myh66.com>

<http://usermanuals.us>

<http://www.somanuals.com>

<http://www.4manuals.cc>

<http://www.manual-lib.com>

<http://www.404manual.com>

<http://www.luxmanual.com>

<http://aubethermostatmanual.com>

Golf course search by state

<http://golfingnear.com>

Email search by domain

<http://emailbydomain.com>

Auto manuals search

<http://auto.somanuals.com>

TV manuals search

<http://tv.somanuals.com>