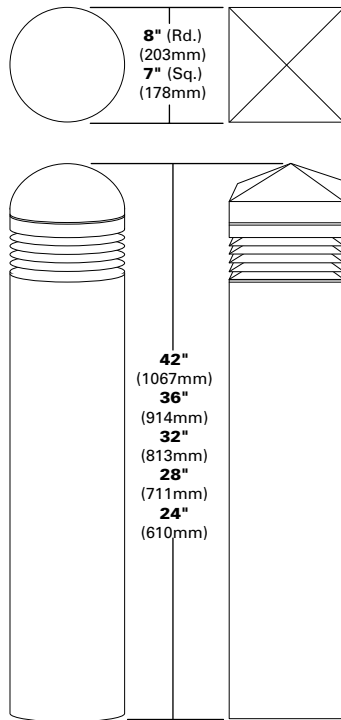


DIMENSIONS



DESCRIPTION

The McGraw-Edison BSL / BRL Bollard Series, available in heights from 24" to 42", has crisp, clean lines which blend with any architectural setting. Constructed of seamless, heavy-duty aluminum and finished with a tough polyester powder coat finish, the McGraw-Edison Louvered Bollard Series is gasketed to seal out external contaminants. U.L. 1598 listed and CSA certified for wet locations.



BSL / BRL BOLLARD

2 6 - 1 0 0 W

Metal Halide

High Pressure Sodium

Incandescent

PATHWAY LUMINAIRE

ORDERING INFORMATION

SAMPLE NUMBER: BSL-36-100-MH-MT-BK

Product Family BSL =Square Bollard with Stacked Louvers, & Pyramidal Top BRL =Round Bollard with Stacked Louvers, & Dome Top	Fixture Height 24=24" 28=28" 32=32" 36=36" 42=42"	Lamp Wattage HID ¹ 35=35W ² 50=50W 70=70W 100=100W Compact Fluorescent ³ 26=26W 32=32W 42=42W	Lamp Type MH=Metal Halide HPS=High Pressure Sodium IC=Incandescent	Voltage ⁴ 120=120V 208=208V 240=240V 277=277V MT=Multi-Tap ⁵ TT=Triple-Tap ⁶ UNV=Universal 120-277V ³	Color ⁷ BK=Black AP=Grey BZ=Bronze WH=White DP=Dark Platinum GM=Graphite Metallic	Options & Accessories (See Below)
---	---	--	--	---	---	---

Options *

F=Single Fuse (120, 277 or 347V)
 FF=Double Fused (208 or 240V)
 R1=Provisional Cut for GFI Receptacle⁹
 R2=Installed GFI Receptacle⁹
 L=Lamp Included¹⁰
 CF/EIM=Emergency Battery Pack¹¹
 AB=Aqua Marine Blue Glass Jar
 HG=Hunter Green Glass Jar
 OR=Orange Glass Jar
 RB=Royal Blue Glass Jar
 RE=Red Glass Jar

NOTES: 1 All lamps are medium-base. 2 35W HPS available in 120V only. 3 Compact Fluorescent only Electronic ballast universal voltage 120-277V. 4 Product also available in non-US voltages and 50Hz for international markets. Consult factory for availability and ordering information. 5 Multi-Tap ballast is 120/208/240/277V wired 277V. 6 Triple-Tap ballast is 120/277/347V wired 347V. 7 Other finish colors available, including a full line of RAL color matches. Consult your Cooper Lighting Representative. 8 Add as suffix in the order shown. 9 Location of R1 and R2 option on housing subject to height of luminaire. 10 Coated lamp standard. Must specify clear lamp if desired. 11 CF lamps only, rated minimum operating temperature 32° F (0° C). 12 Specifications and dimensions subject to change without notice.

- Rugged thick cast aluminum top cap secured via a concealed stainless steel allen screw
- Cast Aluminum Louver blades provide sharp cutoff delivering no direct light above 90°
- One piece tempered glass with internal flutes for even disbursement of illumination. Decorative colored glass optional
- Premium fade and resistant, TGIC Polyester Powder Coat Finish
- Globe is fully gasketed via EPDM material
- Nominal 1/8" thick aluminum extruded housing
- Socket is porcelain, medium-base for HID lamp sources
- High Power Factor ballast for -20°F starting
- Base mounts onto foundation with three (3) 1/2" x 12 1/2" anchor bolts on a 5" Dia. bolt circle
- Rugged cast aluminum base is completely concealed
- U.L. listed for wet locations. CSA certified
- Approximate net weight: 26 lbs. (12 kgs.)

Free Manuals Download Website

<http://myh66.com>

<http://usermanuals.us>

<http://www.somanuals.com>

<http://www.4manuals.cc>

<http://www.manual-lib.com>

<http://www.404manual.com>

<http://www.luxmanual.com>

<http://aubethermostatmanual.com>

Golf course search by state

<http://golfingnear.com>

Email search by domain

<http://emailbydomain.com>

Auto manuals search

<http://auto.somanuals.com>

TV manuals search

<http://tv.somanuals.com>