

COOPER LIGHTING - SURE-LITES®



CU1

PRESTO™

Emergency Light



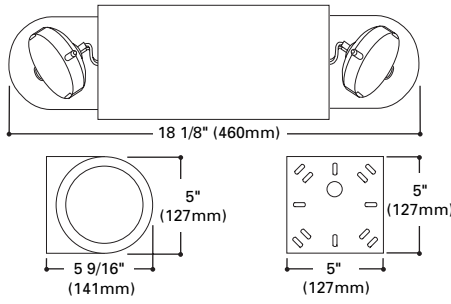
CU2

Contemporary Unit

Emergency Light

- Dual-Voltage Input 120/277 VAC, 60 Hz Isolation Transformer
- Designer white textured finish
- Maintenance Sealed Lead Calcium Battery
- Suitable for Wall or Ceiling Mount Applications.
- Universal J-Box Mounting Pattern.
- Line-Latching, Solid-State Voltage Limited Charger, Solid-State Switching, Low-Voltage Disconnect, Brownout Circuit, Overload/Short Circuit Protection, Test Switch/Power Indicator Light.
- UL 924, Life Safety NFPA 101, CSA Certified, Damp Location Listed Standard (CU-2 Only), NEC/OSHA, Most State and Local Codes.

DIMENSIONS



DESCRIPTION

The Sure-Lites CU1 unit represents the next generation of emergency lighting. Sure-Lites has combined dependable performance with a visually pleasing design. The PRESTO™ unit is designed to harmonize with today's decor in commercial and public spaces. Injection molded from high impact thermoplastic. PRESTO™ is "contractor friendly." The unique wiring module makes installation a snap. All AC wiring connections are made with the polarized wiring module and there is no

need to juggle the unit in place. PRESTO™ may be ceiling or wall mounted, horizontally or vertically, and may be installed to a standard junction box or to surface mounted conduit. Long life battery and solid-state engineering provide trouble free operation. Two 5.4W wedge base incandescent lamps in locking specular reflectors appear to float in clear acrylic domes for distortion free lighting. Fully adjustable, locking lampheads with diffusing lens cover.

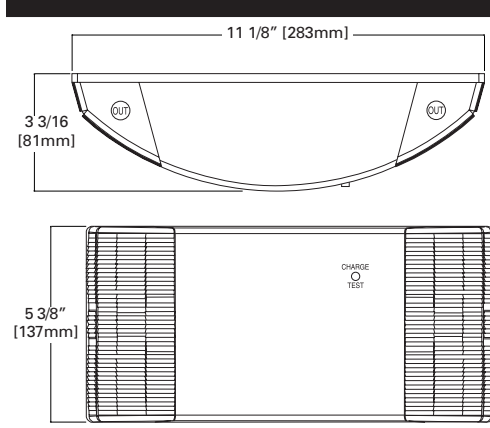
ELECTRICAL RATINGS

Model	Battery	DC Voltage	Rated Wattage to 87 1/2% of rated D.C. Voltage			Lamp Information		
			1 1/2 hours	2 hours	3 hours	Type	Wattage	Number
CU1	SLC ⁽²⁾	6	10.8	7.2	-	Incandescent	5.4	29-121
CU1HD	SLC ⁽²⁾	6	22	16	11	Incandescent	5.4	29-121
CU1NC	SNC ⁽³⁾	6	11	7.2	-	Incandescent	5.4	29-121
CU1347	SLC ⁽²⁾	6	10.8	7.2	-	Incandescent	5.4	29-121
CU1HD347	SLC ⁽²⁾	6	22	16	11	Incandescent	5.4	29-121

ORDERING INFORMATION

SAMPLE NUMBER: CU1PCL

Model Number	Options (Add as suffix)	Accessories (Order separately)	Energy Data			
			Model No.	120V	277V	347V
CU1	A=Ammeter	WG19=Wire Guard	CU1, CU1HD	.12A	.05A	
CU1HD	B=Black Finish	VS1=Polycarbonate Vandal Shield	CU1NC	.06A	.03A	
CU1NC	PCL=Polycarbonate Domes	VS1WP=Polycarbonate Vandal Shield - Weatherproof	CU1347 ⁽⁴⁾	.14A		.06A
CU1347	SD=Self-Diagnostics		CU1HD347 ⁽⁴⁾	.18A		.07A
CU1HD347	TDM=Time Delay Monitor					
	V=Voltmeter					
	Alternate Lamps ⁽¹⁾ (Wedge base & Krypton only)					
	Other Options ⁽¹⁾					



DESCRIPTION

The Model CU2 Emergency Lighting Unit is an economic, yet attractive, alternative to standard two headed emergency lighting units. All components snap together to facilitate installation in 2 minutes or less. The Model CU2 is ideal for applications which demand the minimum product cost without sacrificing dependability or aesthetics.

Injection-Molded, Color Stable, Hi-Impact UL 94-5V Rated Polycarbonate Housing and Mounting Plate with Designer-White Textured Finish. Cutout Provided in Housing for Surface Conduit Attachment. Keyhole Mounting Slots. Suitable for Floor Proximity Installation. ADA compliant. Lenses are designed to distribute light forward and down towards Path of Egress.

ELECTRICAL RATINGS

Model	Rated Wattage to 87 1/2% of Rated D.C. Voltage		Lamp Information		
	DC Voltage	1 1/2 Hours	Type	Wattage	Number
CU2	6	10.8	Incandescent	5.4	029-121
CU22146	6	10.8	Krypton	5.4	029-146

ORDERING INFORMATION

SAMPLE NUMBER: CU2

Model Number	Options (Add as suffix)	Accessories (Order separately)	ENERGY DATA	
			Input Current (Max.):	
CU2	V=Voltmeter	CAX18PKWH=18" Pendant Kit, White	120V=	.12A
	CSK120=Cord Set (120 VAC)	CAX18PKHTWH=18" Hang True Pendant Kit, White	277V=	.05A
	Alternate Lamps ⁽¹⁾	1MSWH=Mounting Shelf, White		
	Other Options ⁽¹⁾	VS1=Polycarbonate Vandal Shield		
		VS1WP=Polycarbonate Vandal Shield Weather Resistant		
		WG1=Wire Guard		

⁽¹⁾ Consult your Cooper Lighting Representative. ⁽²⁾ SLC=Sealed Lead Calcium ⁽³⁾ SNC=Sealed Nickel Cadmium. ⁽⁴⁾ 347=347V for Canada. Download from www.Somanuals.com. All Manuals Search And Download.

Free Manuals Download Website

<http://myh66.com>

<http://usermanuals.us>

<http://www.somanuals.com>

<http://www.4manuals.cc>

<http://www.manual-lib.com>

<http://www.404manual.com>

<http://www.luxmanual.com>

<http://aubethermostatmanual.com>

Golf course search by state

<http://golfingnear.com>

Email search by domain

<http://emailbydomain.com>

Auto manuals search

<http://auto.somanuals.com>

TV manuals search

<http://tv.somanuals.com>