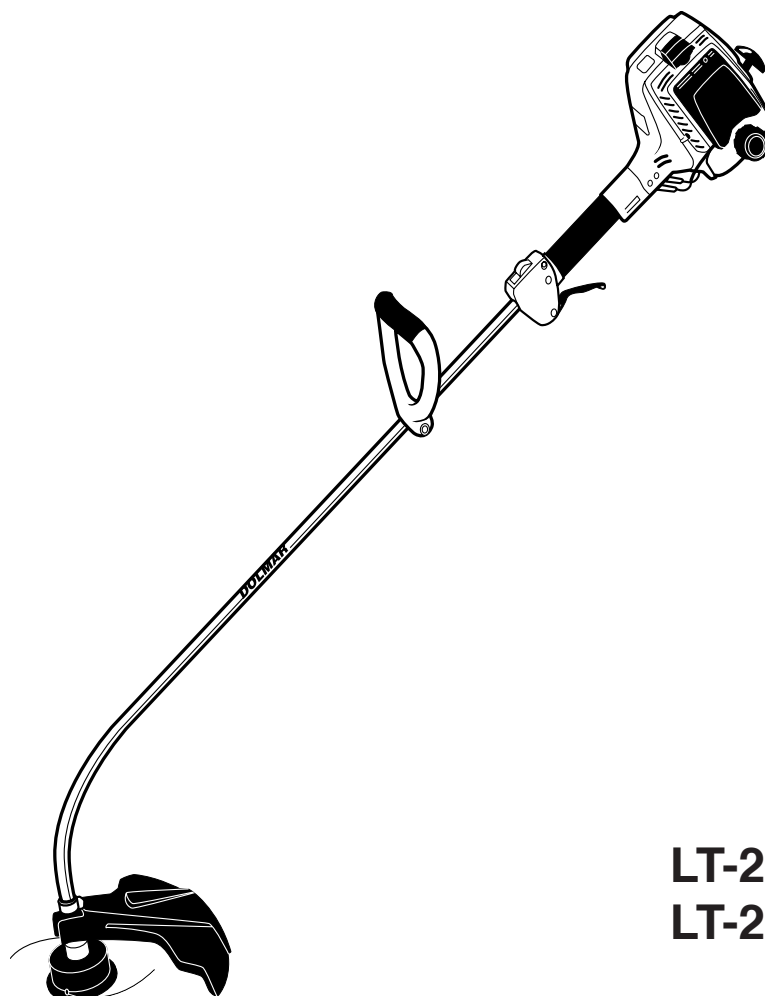


Spare Parts List

2006-03



LT-210
LT-250

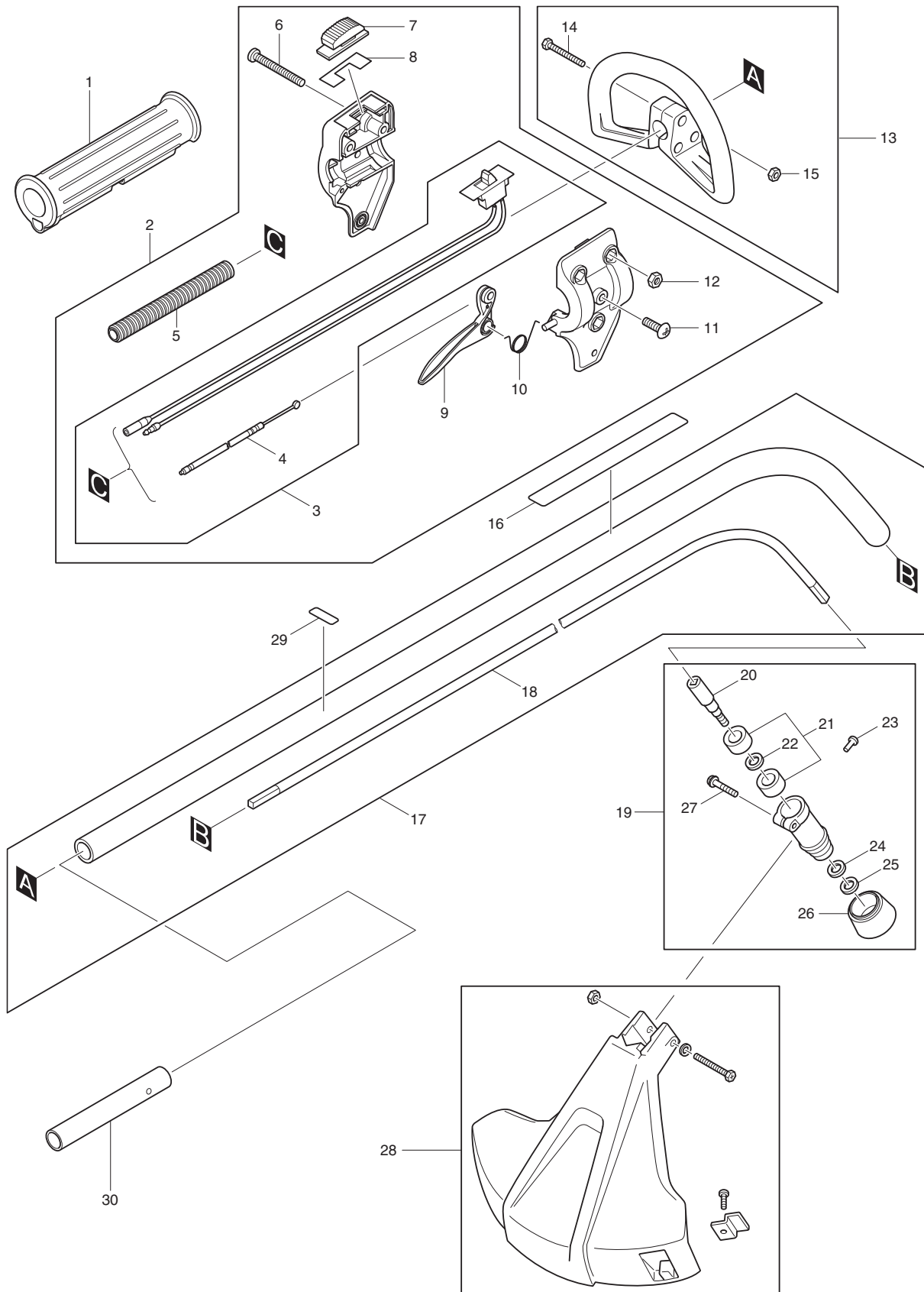
IMPORTANT! - To assure product SAFETY and RELIABILITY, repairs, maintenance or adjustments should be performed by DOLMAR Service Centers, or other qualified service organisations. Always use DOLMAR replacement parts.

DOLMAR



A member of the *Makita* Group

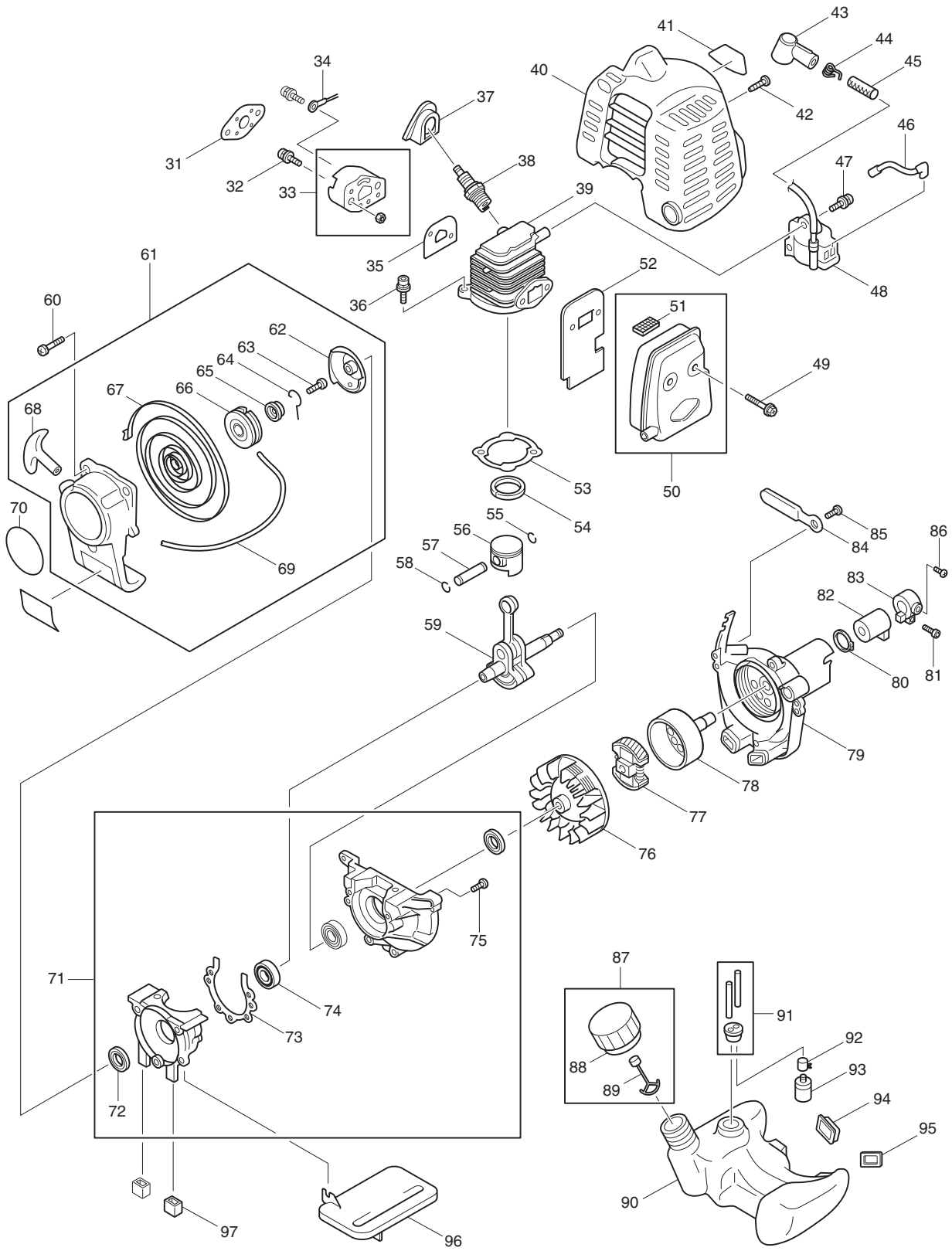
995 700 253 (GB)



LT-210



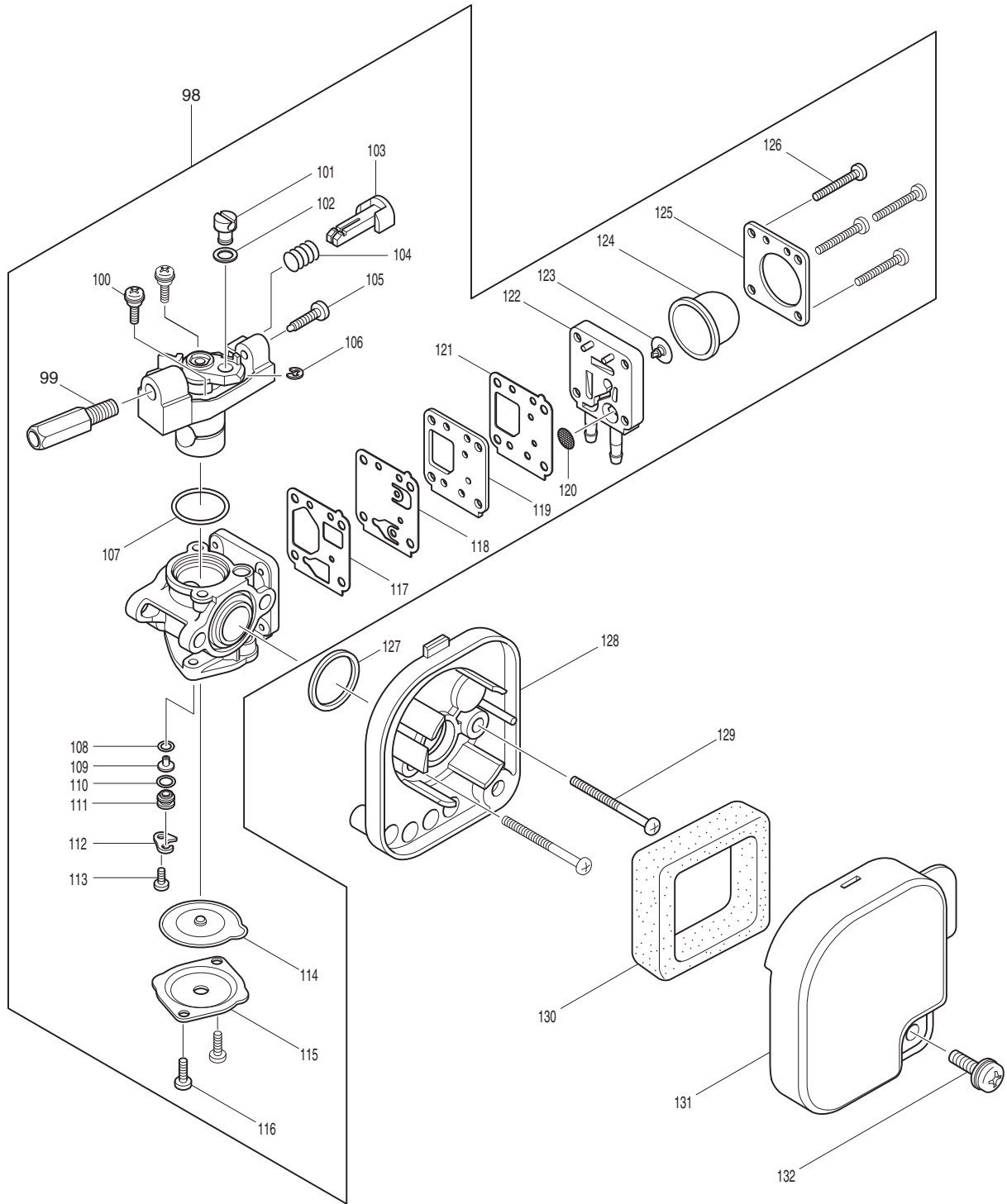
Page	Pos.	LT-210	LT-250	Part No.	Notes	Description	Specifications
1	1	1		381 450 070		GRIP	
1	2	1		381 502 800		CONTROL LEVER ASSY	INC. 3,5-12
1	3	1		381 501 811		WIRE SET	INC. 4
1	4	1		381 501 812		CONTROL CABLE	
1	5	1		381 501 805		TUBE	
1	6	3		381 350 530		SCREW ASSEMBLY	M5X30(SW)
1	7	1		381 501 806		LEVER SWITCH	
1	8	1		381 501 813		SWITCH PLATE	
1	9	1		381 501 803		LEVER	
1	10	1		381 501 804		SPRING	
1	11	1		381 502 803		TAPPINGU SCREW	5X12
1	12	3		367 180 500		NUT	M5
1	13	1		381 401 000		HANDLE ASSY	INC. 14,15
1	14	3		381 350 530		SCREW ASSEMBLY	M5X30(SW)
1	15	3		367 180 500		NUT	M5
1	16	1		381 951 180		CAUTION LABEL	
1	17	1		381 101 900		FLEXIBLE PIPE UNIT	
1	18	1		388 150 130		FLEXIBLE SHAFT	
1	19	1		388 300 400		GEAR CASE ASSY	INC. 20-27
1	20	1		381 350 080		CUTTER SHAFT	
1	21	2		388 350 060		BEARING BALL	#608ZZ
1	22	1		382 350 070		SPACER	
1	23	1		388 700 510		CROSS RECESS HEAD BOLT	
1	24	1		382 350 090		WASHER	
1	25	1		381 350 100		WASHER SPRING	
1	26	1		381 350 110		RECEIVE WASHER	
1	27	1		388 300 212		BOLT ASSY	
1	28	1		381 801 600		PROTECTOR ASSY	
1	29	1		367 951 470		CAUTION LABEL	
1	30	1		381 150 150		SPACER	

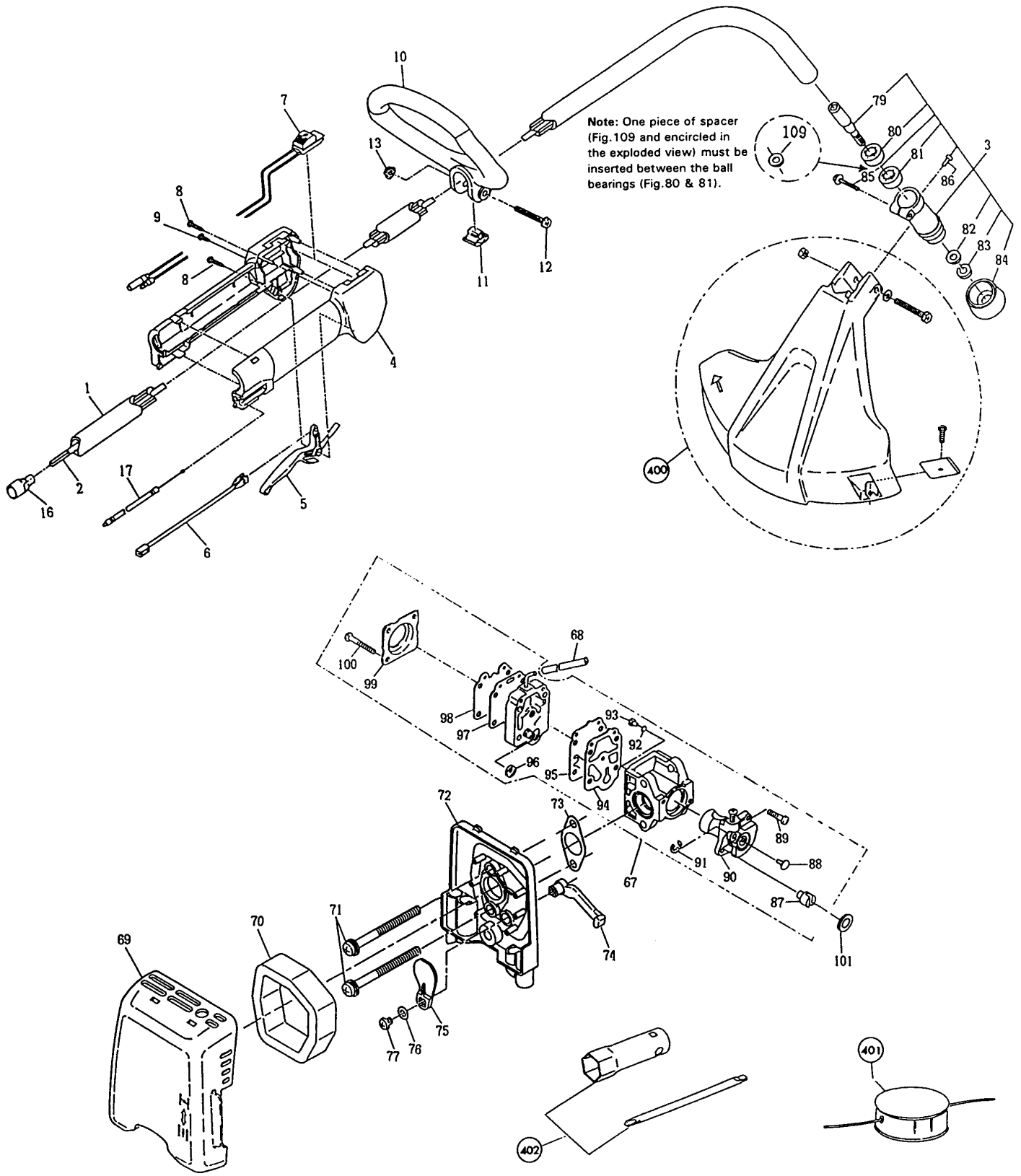


LT-210



Page	Pos.	LT-210	LT-250	Part No.	Notes	Description	Specifications
2	31	1		381 350 280		SPACER GASKET	
2	32	2		388 005 950		SCREW	M5X25
2	33	1		381 301 400		INSULATOR COMPL.	
2	34	1		381 550 020		WIRE	
2	35	1		377 350 050		INSULATOR GASKET	
2	36	2		382 905 973		SOCKET HEAD BOLT	M5X20
2	37	1		388 750 010		PLUG CAP COVER	
2	38	1		374 014 971		SPARK PLUG	
2	39	1		381 150 090		CYLINDER	
2	40	1		381 550 310		CYLINDER COVER	
2	41	1		381 950 810		TRADE MARK LABEL "DOLMAR"	
2	42	1		388 005 979		TAPPING SCREW	5X14
2	43	1		388 500 987		PLUG CAP	
2	44	1		377 400 993		PLUG CAP SPRING	
2	45	1		374 108 995		TUBE	
2	46	1		374 701 800		WIRE COMPL	
2	47	2		381 004 977		SCREW ASSY	M4X16(W,SW)
2	48	1		374 701 101		IGNITION COIL	
2	49	2		367 905 952		SOCKET HEAD BOLT	M5X40
2	50	1		368 300 100		EXHAUST MUFFLER	INC. 51
2	51	1		374 300 105		SPARK ARRESTER	
2	52	1		383 350 000		INSULATOR,MUFFLER	
2	53	1		382 150 030		CYLINDER GASKET	
2	54	1		374 250 050		PISTON RING	
2	55	1		388 508 997		CLIP	
2	56	1		374 250 170		PISTON	
2	57	1		367 250 050		PISTON PIN	
2	58	1		388 508 997		CLIP	
2	59	1		388 200 100		CRANKSHAFT COMPLETE	
2	60	3		381 004 977		SCREW ASSY	M4X16(W,SW)
2	61	1		381 500 900		REWIND STARTER	INC. 62-69
2	62	1		367 550 000		PULLEY	
2	63	1		367 500 206		SET SCREW	
2	64	1		367 500 210		SWING ARM	
2	65	1		367 500 211		COLLAR	
2	66	1		383 500 203		REEL	
2	67	1		381 500 205		SPIRAL SPRING	
2	68	1		388 500 402		HANDLE	
2	69	1		388 501 602		STARTER ROPE	
2	70	1		381 950 810		TRADE MARK LABEL "DOLMAR"	
2	71	1		383 100 400		CRANK CASE ASS'Y	INC. 72-75
2	72	2		374 010 998		OIL SEAL	
2	73	1		318 150 040		CRANKCASE GASKET	
2	74	2		381 010 998		BALL BEARING	6000
2	75	3		388 005 952		SCREW	M5X25
2	76	1		374 701 701		FLYWHEEL	
2	77	1		381 200 600		CLUTCH	
2	78	1		381 201 100		CLUTCH DRUM COMPLETE	
2	79	1		374 100 600		CLUTCH CASE COMPLETE	
2	80	1		374 151 000		OUTER SNAP RING	10
2	81	1		383 905 988		SOCKET HEAD BOLT	M5X25
2	82	1		374 150 020		PIPE DAMPER	
2	83	1		374 150 130		PIPE BRACKET	
2	84	1		374 605 998		CLAMP	
2	85	3		374 005 978		TAPPING SCREW	M5X20
2	86	1		374 905 985		SOCKET HEAD BOLT	M5X14
2	87	1		377 605 900		FUEL TANK CAP COMPLETE	INC. 88,89
2	88	1		374 605 800		FUEL TANK CAP	
2	89	1		374 606 700		STRAP	
2	90	1		382 650 000		FUEL TANK	
2	91	1		374 115 992		TUBE	
2	92	1		381 105 999		HOSE CLAMP	
2	93	1		382 650 390		FILTER	
2	94	1		381 650 020		PLATE	
2	95	1		381 650 030		PLATE	
2	96	1		383 350 010		PLATE	
2	97	2		381 650 025		DAMPER	



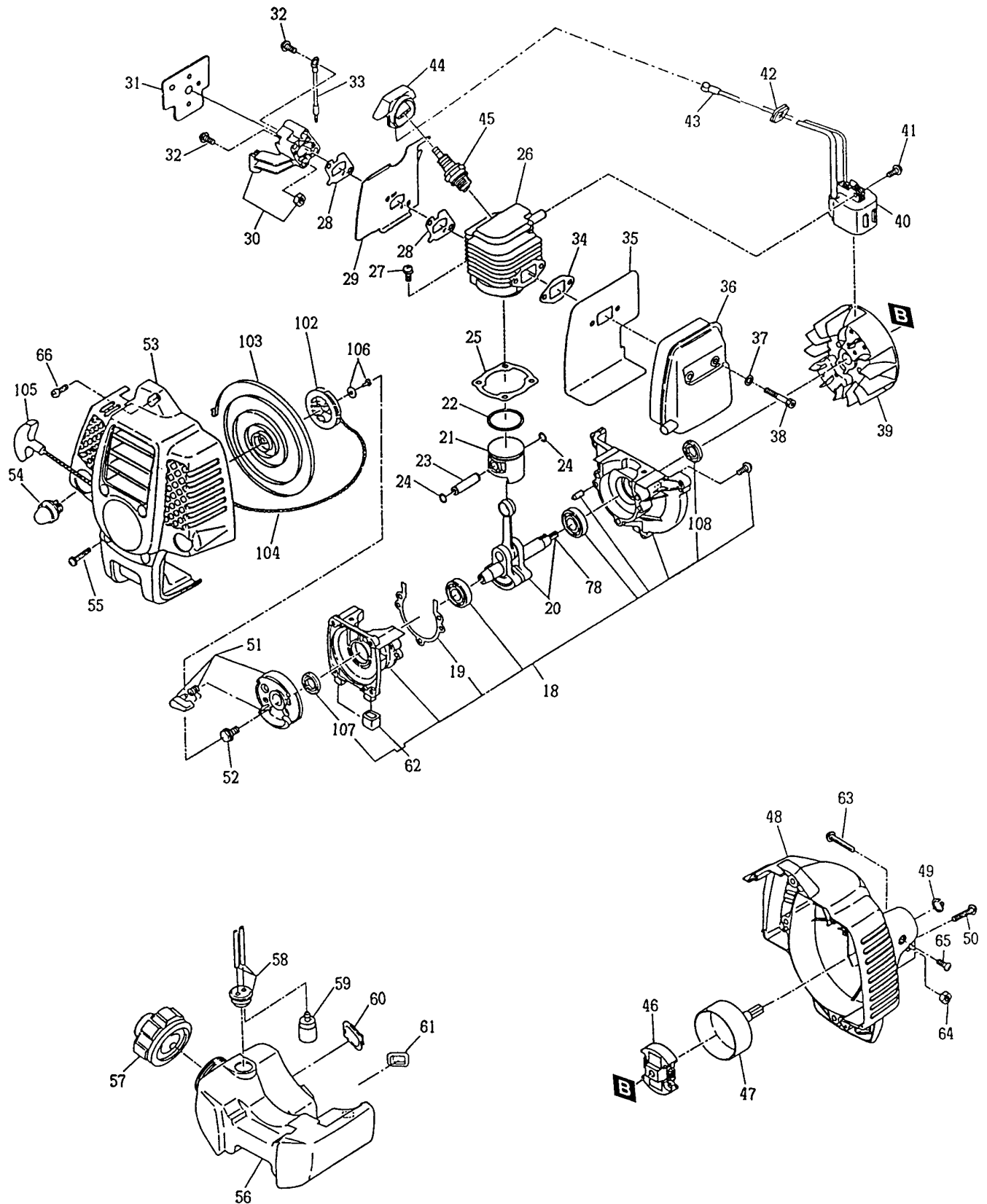


LT-250

DOLMAR



Page	Pos.	LT-210	LT-250	Part No.	Notes	Description	Specifications
4	1		1	381 100 600		FLEXIBLE PIPE UNIT	INCL. FIG. 16
4	2		1	388 100 503		FLEXIBLE SHAFT	
4	3		1	388 300 200		GEAR CASE CPL.	INCL. FIG. 79 - 86 &109
4	4		1	388 501 200		CONTROL LEVER ASS'Y	INCL. FIG. 5 - 9
4	5		1	388 550 060		LEVER	
4	6		1	388 550 070		CONNECTOR	
4	7		1	388 500 900		SWITCH CPL.	
4	8		2	388 004 992		TAPPING SCREW	
4	9		1	388 004 991		TAPPING SCREW	
4	10		1	388 400 300		HANDLE CPL.	
4	11		1	388 950 020		SPACER	
4	12		1	374 006 982		BOLT	
4	13		1	388 370 600		FLANGE NUT	
4	16		1	388 100 504		SPACER	
4	17		1	388 003 990		CONTROL CABLE	
4	67		1	388 604 700		CARBURETOR	INCL. FIG 87-100
4	68		1	367 114 996		TUBE	2.5X5X140
4	69		1	388 350 460		AIR CLEANER CASE	
4	70		1	388 350 470		AIR CLEANER ELEMENT	
4	71		2	388 360 565		SCREW	M5X62
4	72		1	388 350 450		CLEANER PLATE	
4	73		1	388 350 420		GASKET	
4	74		1	388 350 480		CHOKE LEVER	
4	75		1	388 350 500		CHOKE PLATE	
4	76		1	388 110 400		WASHER	
4	77		1	388 004 998		TAPPING SCREW	M4X8
4	79		1	388 300 302		CUTTER SHAFT	
4	80		1	388 300 203		BALL BEARING	608LLU
4	81		1	388 300 203		BALL BEARING	608LLU
4	82		1	388 300 205		WASHER	
4	83		1	388 300 206		SPRING WASHER	
4	84		1	388 850 080		RECEIVE WASHER	
4	85		1	388 300 212		BOLT ASS'Y	
4	86		1	388 700 510		C. R. HEAD BOLT	
4	87		1	381 601 804		SWIVEL	
4	88		1	381 600 811		PLUG	
4	89		2	388 600 803		PAN HEAD SCREW	
4	90		1	388 604 702		THROTTLE VALVE	
4	91		1	381 600 512		RING	
4	92		1	381 600 101		O-RING	
4	93		1	381 600 201		JET	
4	94		1	381 600 103		PUMP GASKET	
4	95		1	381 600 104		PUMP DIAPHRAGM	
4	96		1	381 600 401		INLET SCREEN	
4	97		1	388 600 413		GASKET	
4	98		1	381 600 525		METERING DIAPHRAGM ASS'Y	
4	99		1	388 600 503		PRIMPER PUMP COVER	
4	100		1	388 600 202		PAN HEAD SCREW	
4	101		1	388 950 000		HOLDER	
4	109		1	388 300 304		SPACER	
4	400		1	388 800 600		PROTECTOR ASS'Y	
4	401		1	381 224 262		TRIMMER HEAD	
4	402		1	388 901 900		TOOL KIT	



LT-250



Page	Pos.	LT-210	LT-250	Part No.	Notes	Description	Specifications
5	18		1	388 101 100		CRANKCASE CPL.	INCL. FIG. 19, 107 & 108
5	19		1	388 150 220		CRANKCASE GASKET	
5	20		1	367 201 100		CRANKSHAFT CPL.	INCL. FIG. 78
5	21		1	388 250 190		PISTON	
5	22		1	382 250 070		PISTON RING	
5	23		1	388 250 260		PISTON PIN	
5	24		2	388 508 997		CLIP	
5	25		1	388 150 230		CYLINDER GASKET	
5	26		1	388 150 180		CYLINDER	
5	27		2	374 005 970		SCREW ASS'Y	M5X20
5	28		2	388 350 390		INSULATOR GASKET	
5	29		1	388 350 400		CARBURETOR INSULATOR	
5	30		1	388 303 800		INSULATOR CPL.	
5	31		1	388 350 410		INSULATOR GASKET	
5	32		2	388 005 950		SCREW	M5X25
5	33		1	388 550 120		WIRE	
5	34		1	388 350 430		MUFFLER GASKET	
5	35		1	388 350 440		MUFFLER INSULATOR	
5	36		1	388 303 700		EXHAUST MUFFLER	
5	37		2	381 100 500		WASHER	M5
5	38		2	388 905 960		S. H. BOLT	M5X45
5	39		1	388 703 101		FLYWHEEL	
5	40		1	388 703 102		COIL	
5	41		2	367 004 992		SCREW ASS'Y	M4X20
5	42		1	388 750 320		GROMMET	
5	43		1	377 400 993		PLUG CAP SPRING	
5	44		1	388 750 330		PLUG CAP	
5	45		1	381 014 981		SPARK PLUG	
5	46		1	388 200 500		CLUTCH ASS'Y	
5	47		1	388 200 400		CLUTCH DRUM CPL.	
5	48		1	381 503 500		ENGINE COVER CPL.	
5	49		1	374 151 000		OUTER SNAP RING	10
5	50		3	374 005 970		SCREW ASS'Y	M5X20
5	51		1	388 500 300		PULLEY	
5	52		1	388 550 470		BOLT ASS'Y	
5	53		1	388 503 300		STARTER COVER CPL.	INCL. FIG. 51, 102-106
5	54		1	388 650 430		PUMP	
5	55		4	374 005 945		SCREW	M5X18
5	56		1	388 650 410		FUEL TANK	
5	57		1	388 600 200		FUEL TANK CAP ASS'Y	
5	58		1	388 604 800		TUBE	
5	59		1	382 650 390		FILTER	
5	60		1	381 650 030		PLATE	
5	61		1	381 650 020		PLATE	
5	62		2	381 650 025		DAMPER	
5	63		2	388 360 530		SCREW ASS'Y	
5	64		2	381 270 500		NUT	M5
5	65		1	388 005 995		TAPPING SCREW	M5X8
5	66		1	388 550 460		TAPPING SCREW	
5	78		1	388 250 240		STUD	
5	102		1	381 500 202		REEL	
5	103		1	381 500 203		SPIRAL SPRING	
5	104		1	381 500 206		STARTER ROPE	
5	105		1	388 500 402		HANDLE CPL.	
5	106		1	388 500 301		SET SCREW	
5	107		1	388 012 997		OIL SEAL	
5	108		1	388 012 997		OIL SEAL	

LT-210	1	Pipe, handle, protector, gear case
	2	Engine, starter, clutch, fuel tank, exhaust muffler
	3	Carburetor, air cleaner, accessories
LT-250	4	Pipe, handle, protector, gear case, carburetor, air cleaner, accessories
	5	Engine, starter, clutch, fuel tank, exhaust muffler

	Key to symbols
⇒ 1999999 2000000 ⇒ 2003.04 ⇒ TI 2003/07 Acc. = { m Corr.	Production to serial number New part from serial number New part from Year / Month See Technical Information Year / No. Accessories (not included in the delivery inventory) No standard execution, may be used Contains item number Sold by the meter Error correction
	Specifications subject to change without notice

Free Manuals Download Website

<http://myh66.com>

<http://usermanuals.us>

<http://www.somanuals.com>

<http://www.4manuals.cc>

<http://www.manual-lib.com>

<http://www.404manual.com>

<http://www.luxmanual.com>

<http://aubethermostatmanual.com>

Golf course search by state

<http://golfingnear.com>

Email search by domain

<http://emailbydomain.com>

Auto manuals search

<http://auto.somanuals.com>

TV manuals search

<http://tv.somanuals.com>