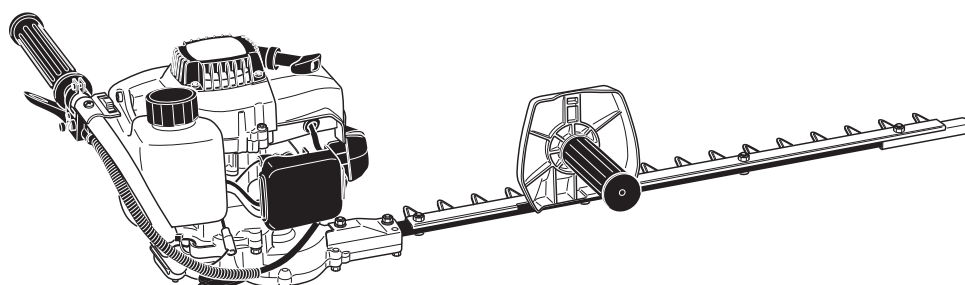
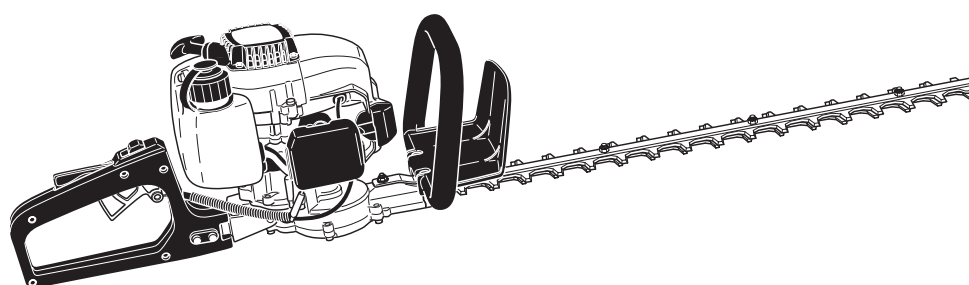


# Spare Parts List

2006-03



**HT-2145 D**  
**HT-2162 E**

IMPORTANT! - To assure product SAFETY and RELIABILITY, repairs, maintenance or adjustments should be performed by DOLMAR Service Centers, or other qualified service organisations. Always use DOLMAR replacement parts.

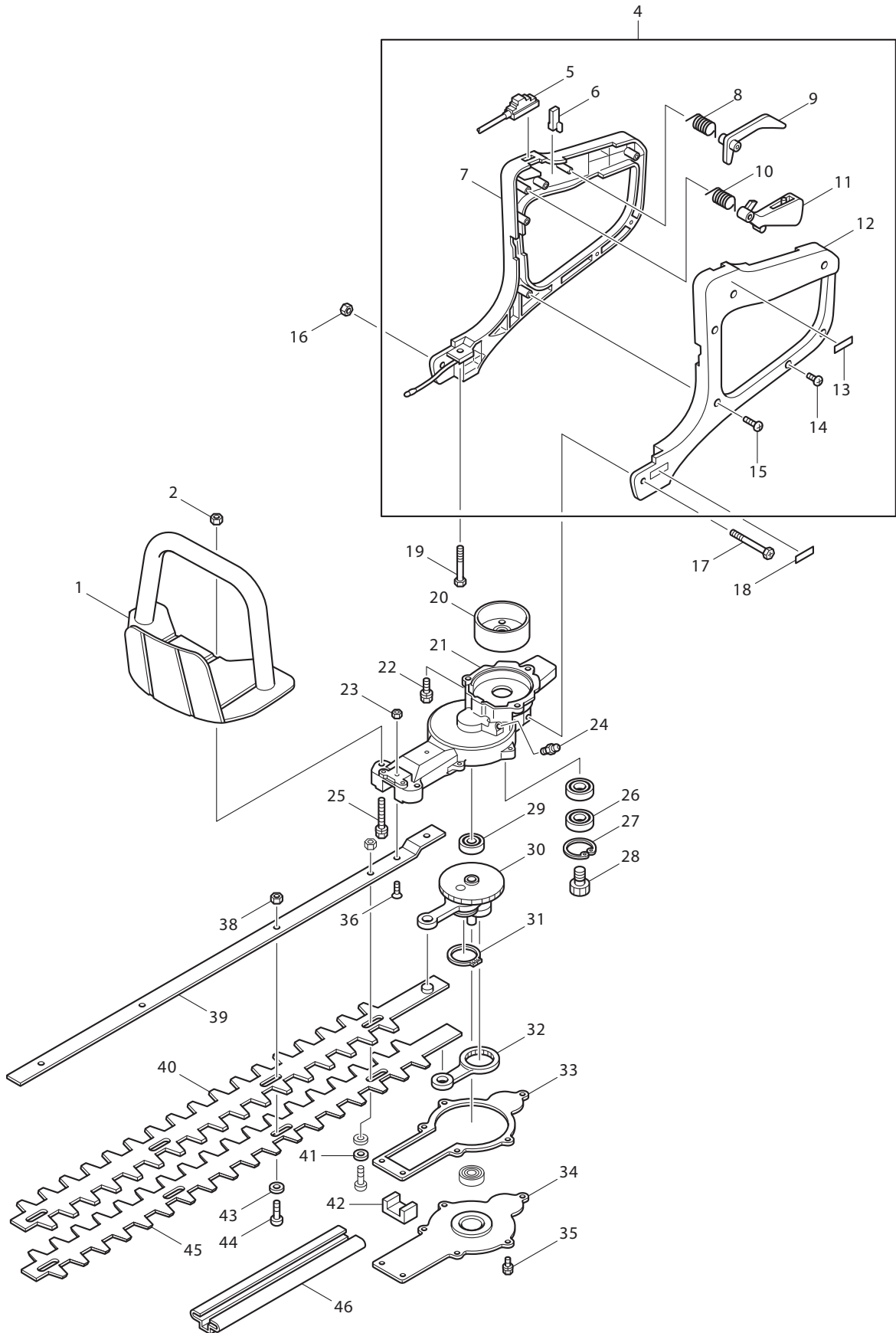
---

**DOLMAR**



A member of the *Makita* Group

995 700 261 (GB)

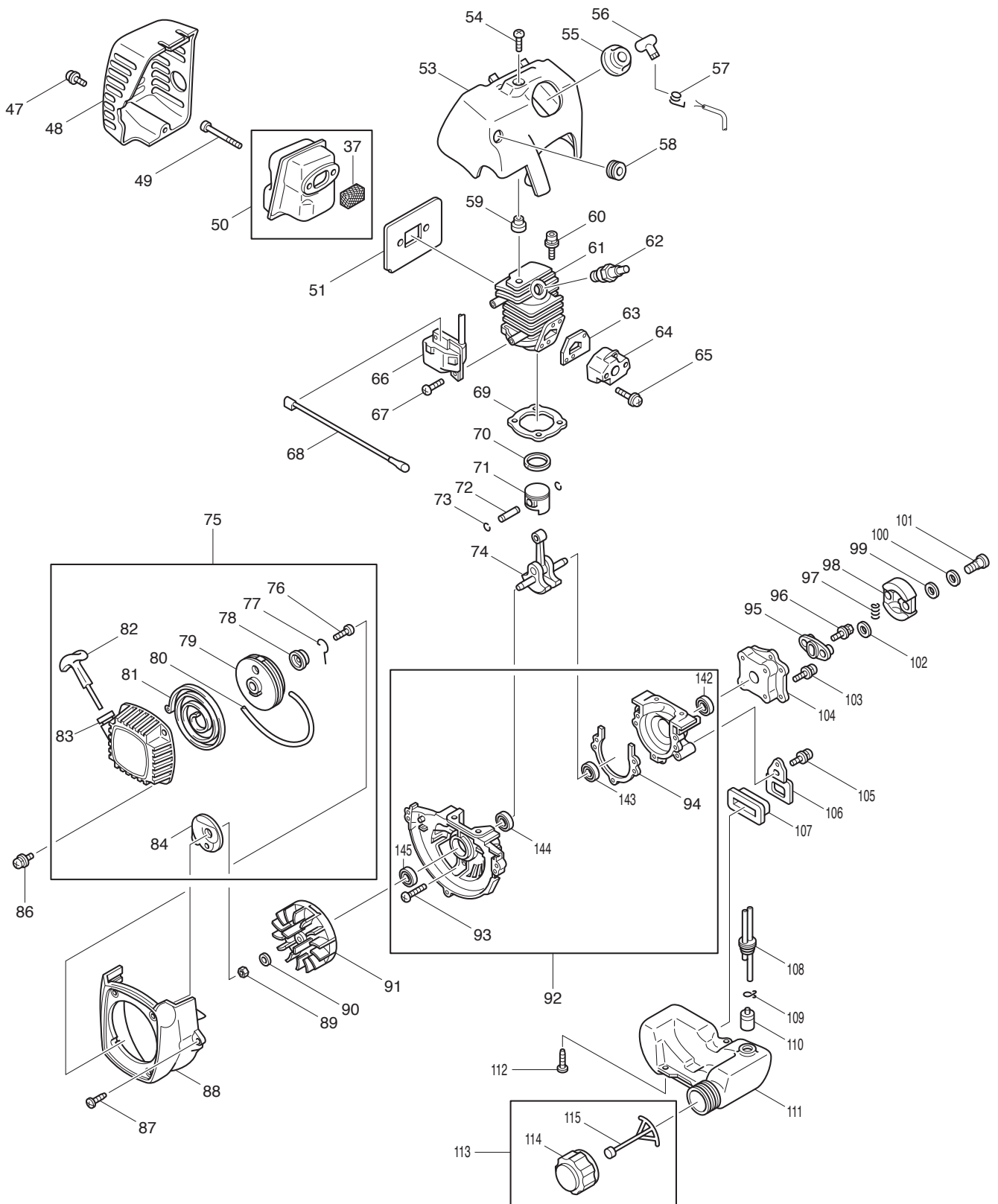


# HT-2145 D

**DOLMAR**



Page	Pos.	HT-2145 D	HT-2162 E	Part No.	Notes	Description	Specifications
1	1	1		374 155 000		FRONT HANDLE	
1	2	2		381 106 000		NUT	M6
1	4	1		382 700 300		REAR HANDLE	INC. 5-15
1	5	1		381 508 800		SWITCH ASSY	
1	6	1		381 710 800		STOPPER	
1	7	1		381 710 500		REAR HANDLE(R)	
1	8	1		381 302 300		SPRING	
1	9	1		381 710 700		LOCK LEVER	
1	10	1		381 302 400		SPRING	
1	11	1		381 710 600		THROTTLE LEVER	
1	12	1		381 710 400		REAR HANDLE (L)	
1	13	1		381 217 500		LABEL	
1	14	2		383 040 100		TAPPING SCREW	4X10
1	15	4		381 040 150		TAPPING SCREW	4X15
1	16	1		381 106 000		NUT	M6
1	17	1		381 506 055		BOLT	M6X55
1	18	1		381 224 600		LABEL	
1	19	1		381 506 040		BOLT	M6X40
1	20	1		374 136 141		DRUM COMPLETE	
1	21	1		381 710 000		CRANK CASE	
1	22	2		381 406 016		BOLT	M6X16
1	23	2		381 405 000		U-NUT	M5
1	24	1		381 500 010		GREASE NIPPLE	M6
1	25	2		381 406 035		BOLT	M6X35
1	26	2		381 406 001		BALL BEARING	UU 6001
1	27	1		381 202 800		SNAP RING	
1	28	1		381 610 400		PINION GEAR	
1	29	2		381 300 608		BALL BEARING	ZZ 608
1	30	1		381 610 300		CRANK GEAR ASSY	
1	31	1		381 302 600		SNAP RING	
1	32	2		381 611 300		ROD	
1	33	1		381 710 200		GASKET CASE	
1	34	1		381 710 100		CRANK CASE COVER	
1	35	7		381 405 012		BOLT	M5X12
1	36	2		381 105 016		SCREW	M5-16
1	38	4		381 406 000		U-NUT	M6
1	39	1		381 710 300		GUIDE PLATE	
1	40	1		381 850 600	STANDARD EQUIPMENT	UPPER & LOWER BLADE	
1	41	1		381 906 000		WAVE WASHER	
1	42	1		381 611 200		FELT	
1	43	4		374 008 250		BLADE SLIDING WASHER	
1	44	4		381 000 200		SCREW	L=19
1	45	1		381 850 600	STANDARD EQUIPMENT	UPPER & LOWER BLADE	
1	46	1		381 800 208	STANDARD EQUIPMENT	BLADE COVER	

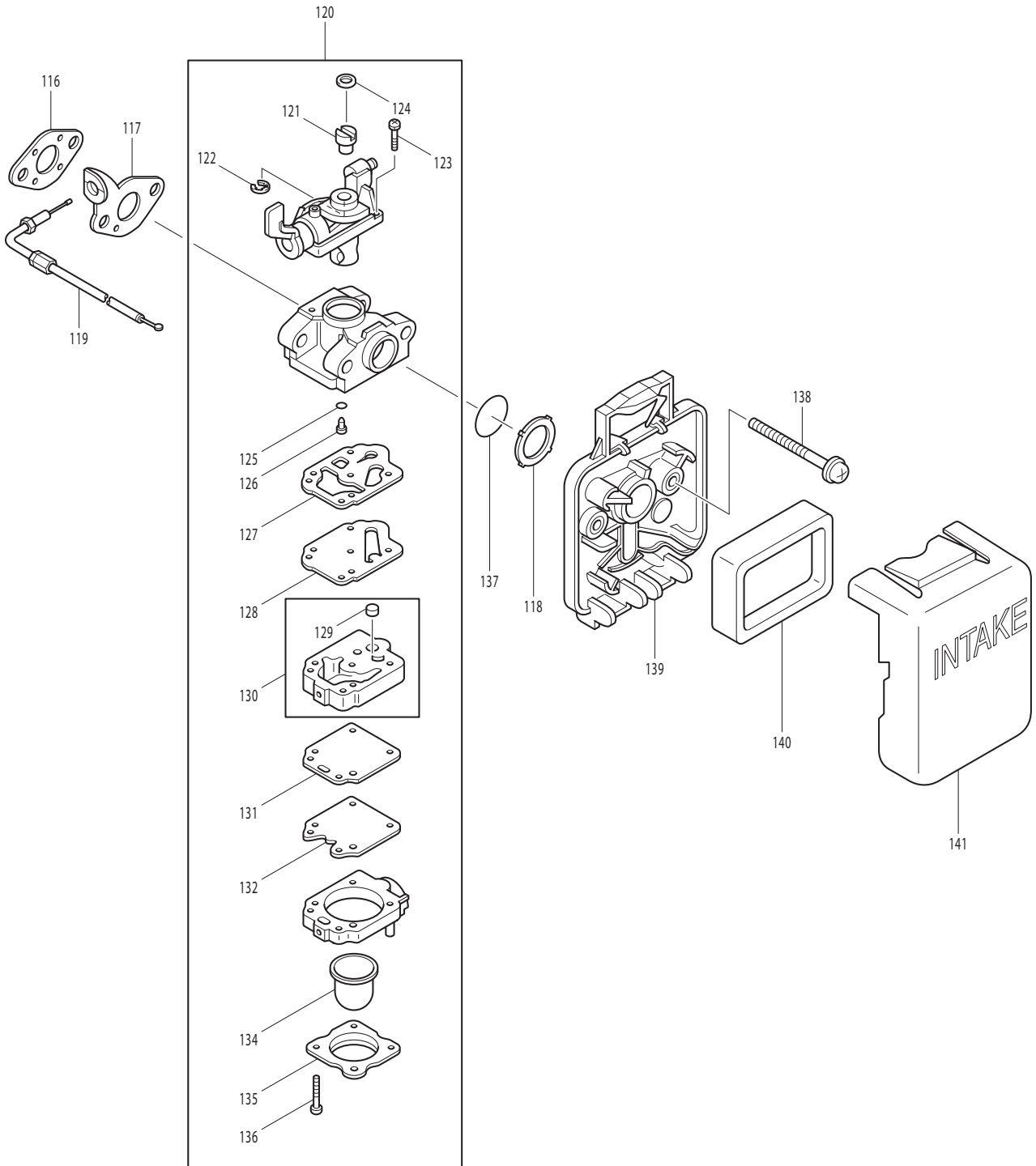


# HT-2145 D

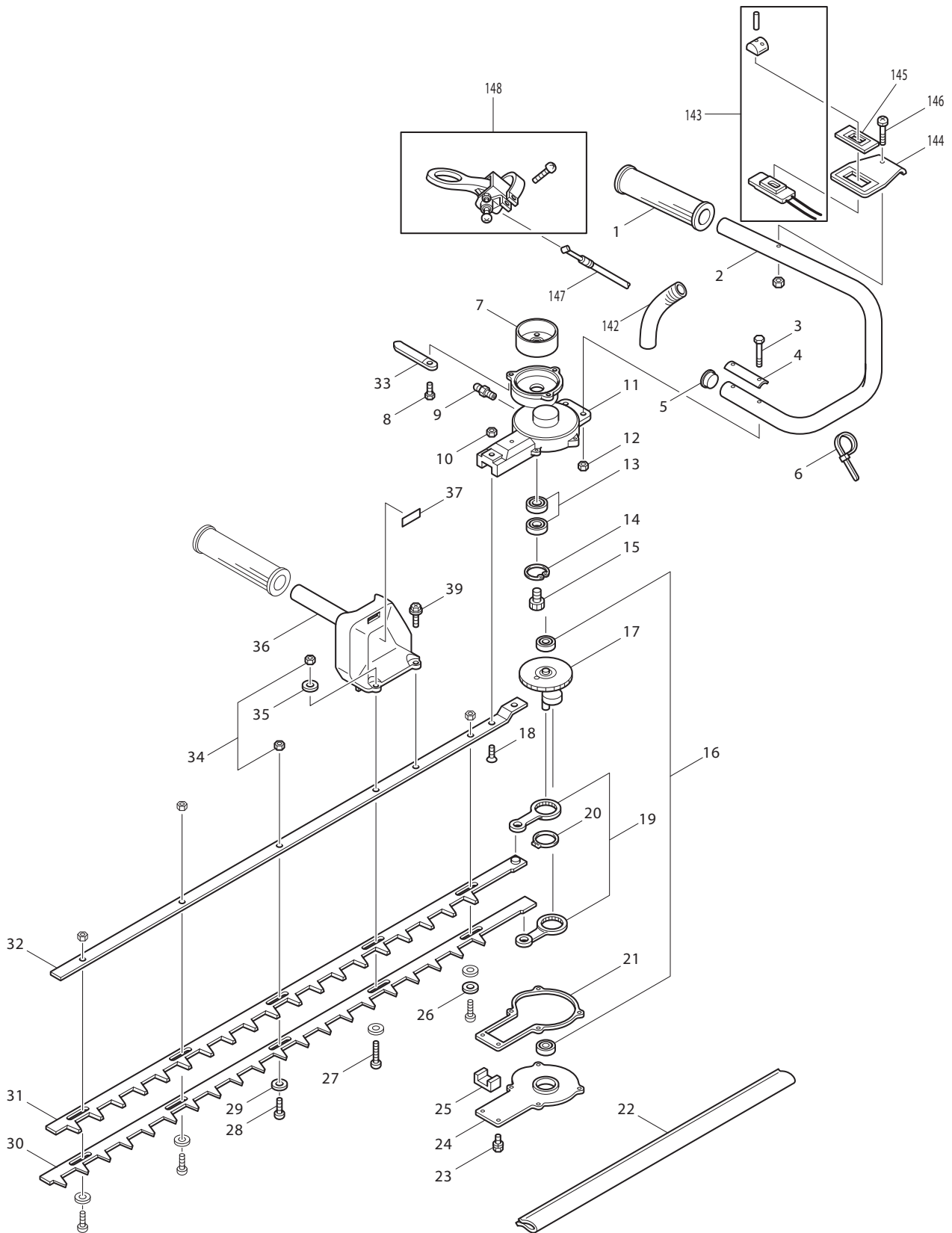
**DOLMAR**



Page	Pos.	HT-2145 D	HT-2162 E	Part No.	Notes	Description	Specifications
2	37	1		381 300 201		SPARK ARRESTAR	
2	47	1		367 005 955		SCREW	M5X14
2	48	1		383 350 020		MUFFLER COVER	
2	49	2		388 905 960		SOCKET HEAD BOLT	M5X45
2	50	1		381 302 000		EXHAUST MUFFLER	INC. 37
2	51	1		381 350 030		MUFFLER INSULATOR	
2	53	1		381 550 090		CYLINDER COVER	
2	54	1		374 005 949		SCREW	
2	55	1		374 750 000		PLUG CAP COVER	
2	56	1		388 500 987		PLUG CAP	
2	57	1		377 400 993		PLUG CAP SPRING	
2	58	1		374 750 030		GROMMET	
2	59	1		374 350 300		SPACER	
2	60	2		382 905 973		SOCKET HEAD BOLT	M5X20 (W/W&SW)
2	61	1		381 150 090		CYLINDER	
2	62	1		381 014 970		SPARK PLUG	
2	63	1		388 350 390		INSULATOR GASKET	
2	64	1		383 300 100		INSULATOR COMPLETE	
2	65	2		367 005 940		SCREW ASSEMBLY	
2	66	1		367 700 302		COIL	
2	67	2		388 370 420		SCREW ASS'Y	M4X20
2	68	1		367 701 800		WIRE COMPLETE	
2	69	1		382 150 030		CYLINDER GASKET	
2	70	1		374 250 050		PISTON RING	
2	71	1		374 250 170		PISTON	
2	72	1		367 250 050		PISTON PIN	
2	73	2		388 508 997		CLIP	
2	74	1		383 200 300		CRANKSHAFT COMPLETE	
2	75	1		367 500 300		REWIND STARTER	INC. 76-84
2	76	1		367 500 206		SET SCREW	
2	77	1		367 500 210		SWING ARM	
2	78	1		367 500 211		COLLAR	
2	79	1		383 500 203		REEL	
2	80	1		388 501 602		STARTER ROPE	
2	81	1		381 500 205		SPIRAL SPRING	
2	82	1		388 500 402		HANDLE	
2	83	1		388 500 104		DAMPER	
2	84	1		367 550 000		PULLEY	
2	86	4		381 004 976		SCREW ASSEMBLY	
2	87	3		374 005 978		TAPPING SCREW	M5X20
2	88	1		381 550 150		BLOWER HOUSING	
2	89	1		367 308 999		LOCK NUT	
2	90	1		368 100 800		WASHER	
2	91	1		381 700 301		FLYWHEEL	
2	92	1		367 100 600		CRANK CASE ASS'Y	INC. 93,94,142-145
2	93	3		388 005 952		SCREW	M5X25
2	94	1		318 150 040		CRANKCASE GASKET	
2	95	1		374 850 010		HOLDER	
2	96	1		383 200 605		BOLT ASS'Y	W/W&SW
2	97	1		367 800 101		CLUTCH SPRING	
2	98	2		367 800 401		CLUTCH SHOE	
2	99	2		368 100 800		WASHER	
2	100	2		383 008 991		WASHER	M8
2	101	2		381 250 040		CLUTCH BOLT	
2	102	2		374 250 060		WASHER	
2	103	4		374 005 945		SCREW	M5X18
2	104	1		374 118 124		SPACER	
2	105	1		367 360 510		SCREW ASSEMBLY	
2	106	1		388 650 020		FUEL TANK PLATE	
2	107	1		383 650 030		DAMPER	
2	108	1		367 114 995		TUBE	
2	109	1		381 105 999		HOSE CLAMP	
2	110	1		382 650 390		FILTER	
2	111	1		367 601 100		FUEL TANK COMPLETE	
2	112	2		381 005 983		TAPPING SCREW	
2	113	1		377 605 900		FUEL TANK CAP COMPLETE	INC. 114,115
2	114	1		374 605 800		FUEL TANK CAP	
2	115	1		374 606 700		STRAP	
2	142	1		374 010 998		OIL SEAL	
2	143	1		381 010 998		BALL BEARING	6000
2	144	1		381 010 998		BALL BEARING	6000
2	145	1		374 010 998		OIL SEAL	







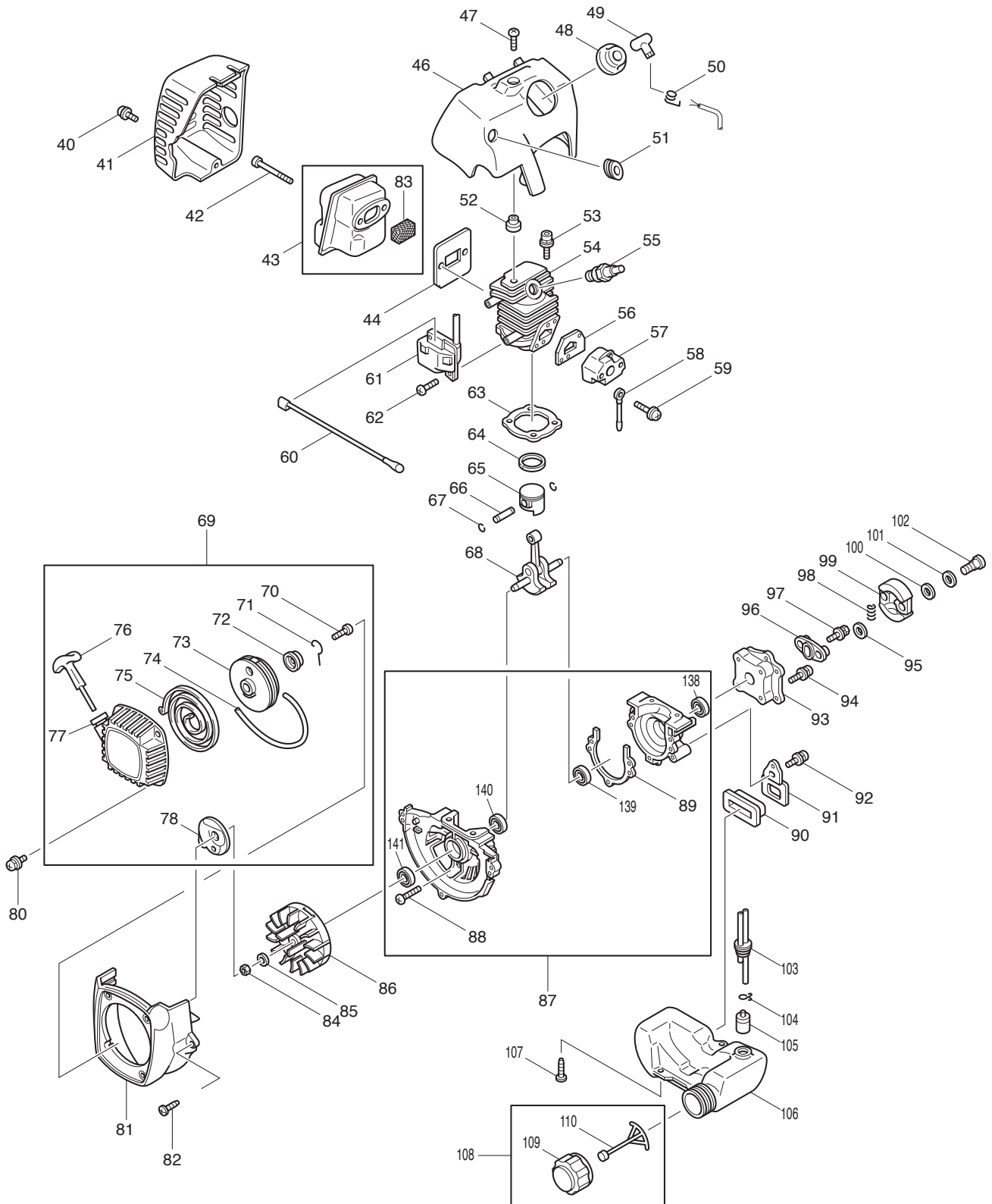


# HT-2162 E

**DOLMAR**



Page	Pos.	HT-2145 D	HT-2162 E	Part No.	Notes	Description	Specifications
4	1		2	374 008 345		GRIP	
4	2		1	381 611 400		HANDLE(LEFT)	
4	3		2	381 005 028		BOLT	
4	4		1	374 136 103		HANDLE FITTING	
4	5		1	381 611 600		BUSH	
4	6		1	381 500 210		CORD BINDER	
4	7		1	374 136 141		DRUM COMPLETE	
4	8		3	381 406 016		BOLT	M6X16
4	9		1	381 500 010		GREASE NIPPLE	M6
4	10		2	381 405 000		U-NUT	M5
4	11		1	382 610 000		UPPER CASE	
4	12		3	381 005 000		NUT	M5
4	13		2	381 406 001		BALL BEARING	UU 6001
4	14		1	381 202 800		SNAP RING	
4	15		1	381 610 400		PINION GEAR	
4	16		2	381 300 608		BALL BEARING	ZZ 608
4	17		1	381 610 300		CRANK GEAR ASSY	
4	18		2	383 105 016		SCREW	M5-16
4	19		2	381 611 300		ROD	
4	20		1	381 302 600		SNAP RING	
4	21		1	381 610 200		CASE PACKING	
4	22		1	381 811 200	STANDARD EQUIPMENT	BLADE COVER	
4	23		6	381 405 012		BOLT	M5X12
4	24		1	381 610 100		LOWER CASE	
4	25		1	381 611 200		FELT	
4	26		1	382 106 000		WAVE WASHER	
4	27		1	381 000 400		SCREW	
4	28		4	381 000 200		SCREW	L=19
4	29		5	374 008 250		BLADE SLIDING WASHER	
4	30		1	381 850 580	STANDARD EQUIPMENT	LOWER BLADE	
4	31		1	381 850 560	STANDARD EQUIPMENT	UPPER BLADE	
4	32		1	381 610 500		HOLDING PLATE	
4	33		1	374 605 998		CLAMP	
4	34		5	381 406 000		U-NUT	M6
4	35		1	381 706 010		WASHER	M6
4	36		1	374 136 190		HANDLE (RIGHT)	
4	37		1	381 224 600		LABEL	
4	39		1	381 506 018		BOLT	M6X18
4	142		1	381 307 001		TUBE	
4	143		1	367 373 000		SWITCH ASS'Y	
4	144		1	367 115 000		SWITCH STAY	
4	145		1	381 145 004		LABEL	
4	146		1	367 050 250		SCREW	M5X25 (W/SW)
4	147		1	367 004 990		CONTROL CABLE	
4	148		1	367 500 400		CONTROL LEVER	

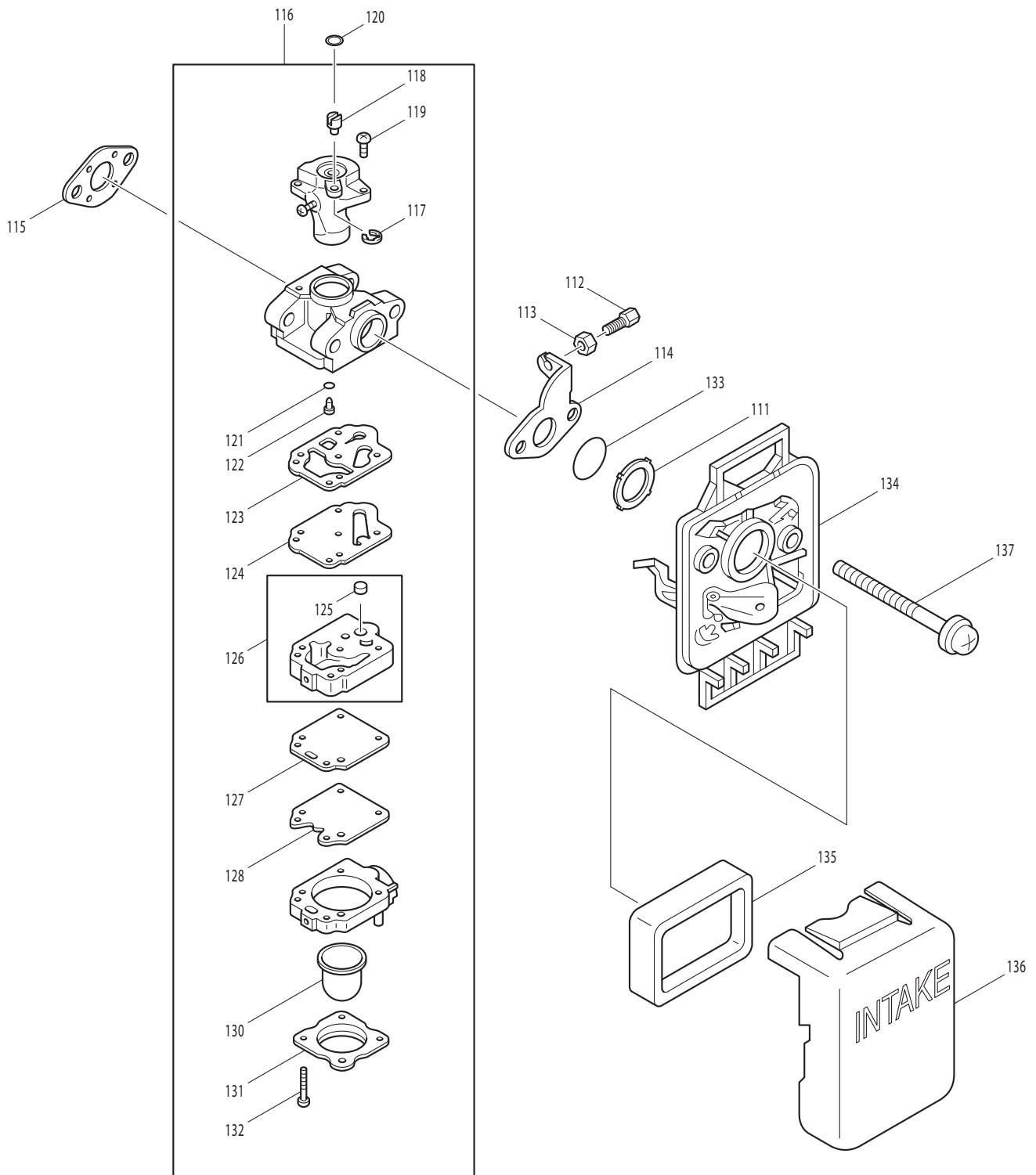


# HT-2162 E

**DOLMAR**



Page	Pos.	HT-2145 D	HT-2162 E	Part No.	Notes	Description	Specifications
5	40		1	367 005 955		SCREW	M5X14
5	41		1	383 350 020		MUFFLER COVER	
5	42		2	388 905 960		SOCKET HEAD BOLT	M5X45
5	43		1	381 302 000		EXHAUST MUFFLER	INC. 83
5	44		1	381 350 030		MUFFLER INSULATOR	
5	46		1	381 550 090		CYLINDER COVER	
5	47		1	374 005 949		SCREW	
5	48		1	374 750 000		PLUG CAP COVER	
5	49		1	388 500 987		PLUG CAP	
5	50		1	377 400 993		PLUG CAP SPRING	
5	51		1	374 750 030		GROMMET	
5	52		1	374 350 300		SPACER	
5	53		2	382 905 973		SOCKET HEAD BOLT	M5X20 (W/W&SW)
5	54		1	381 150 090		CYLINDER	
5	55		1	381 014 970		SPARK PLUG	
5	56		1	388 350 390		INSULATOR GASKET	
5	57		1	383 300 100		INSULATOR COMPLETE	
5	58		1	381 550 020		WIRE	
5	59		2	367 005 940		SCREW ASSEMBLY	
5	60		1	367 701 800		WIRE COMPLETE	
5	61		1	367 700 302		COIL	
5	62		2	388 370 420		SCREW ASS'Y	M4X20
5	63		1	382 150 030		CYLINDER GASKET	
5	64		1	374 250 050		PISTON RING	
5	65		1	374 250 170		PISTON	
5	66		1	367 250 050		PISTON PIN	
5	67		2	388 508 997		CLIP	
5	68		1	383 200 300		CRANKSHAFT COMPLETE	
5	69		1	367 500 300		REWIND STARTER	INC. 70-78
5	70		1	367 500 206		SET SCREW	
5	71		1	367 500 210		SWING ARM	
5	72		1	367 500 211		COLLAR	
5	73		1	383 500 203		REEL	
5	74		1	388 501 602		STARTER ROPE	
5	75		1	381 500 205		SPIRAL SPRING	
5	76		1	388 500 402		HANDLE	
5	77		1	388 500 104		DAMPER	
5	78		1	367 550 000		PULLEY	
5	80		4	381 004 976		SCREW ASSEMBLY	
5	81		1	381 550 150		BLOWER HOUSING	
5	82		3	374 005 978		TAPPING SCREW	M5X20
5	83		1	381 300 201		SPARK ARRESTAR	
5	84		1	367 308 999		LOCK NUT	
5	85		1	368 100 800		WASHER	
5	86		1	381 700 301		FLYWHEEL	
5	87		1	367 100 600		CRANK CASE ASS'Y	INC. 88,89, 138-141
5	88		3	388 005 952		SCREW	M5X25
5	89		1	318 150 040		CRANKCASE GASKET	
5	90		1	383 650 030		DAMPER	
5	91		1	388 650 020		FUEL TANK PLATE	
5	92		1	367 360 510		SCREW ASSEMBLY	
5	93		1	374 118 124		SPACER	
5	94		4	374 005 945		SCREW	M5X18
5	95		2	374 250 060		WASHER	
5	96		1	374 850 010		HOLDER	
5	97		1	383 200 605		BOLT ASS'Y	W/W&SW
5	98		1	367 800 101		CLUTCH SPRING	
5	99		2	367 800 401		CLUTCH SHOE	
5	100		2	368 100 800		WASHER	
5	101		2	383 008 991		WASHER	M8
5	102		2	381 250 040		CLUTCH BOLT	
5	103		1	367 114 995		TUBE	
5	104		1	381 105 999		HOSE CLAMP	
5	105		1	382 650 390		FILTER	
5	106		1	367 601 100		FUEL TANK COMPLETE	
5	107		2	381 005 983		TAPPING SCREW	
5	108		1	377 605 900		FUEL TANK CAP COMPLETE	INC. 109,110.
5	109		1	374 605 800		FUEL TANK CAP	
5	110		1	374 606 700		STRAP	
5	138		1	374 010 998		OIL SEAL	
5	139		1	381 010 998		BALL BEARING	6000
5	140		1	381 010 998		BALL BEARING	6000
5	141		1	374 010 998		OIL SEAL	



# HT-2162 E

**DOLMAR**



Page	Pos.	HT-2145 D	HT-2162 E	Part No.	Notes	Description	Specifications
6	111		1	374 650 120		GASKET	
6	112		1	381 600 801		CABLE ADJUST SCREW	
6	113		1	377 270 600		NUT	M6
6	114		1	374 650 010		CABLE BRACKET	
6	115		1	381 350 280		SPACER GASKET	
6	116		1	381 601 200		CARBURETOR	INC. 117-119,121-132
6	117		1	381 600 512		RING	
6	118		1	381 601 804		SWIVEL	
6	119		2	388 600 803		PAN HEAD SCREW	
6	120		1	388 950 000		HOLDER	
6	121		1	381 600 101		O RING	
6	122		1	367 602 402		JET	
6	123		1	381 600 103		PUMP GASKET	
6	124		1	381 600 104		PUMP DIAPHRAGM	
6	125		1	381 600 401		INLET SCREEN	
6	126		1	374 604 613		PUMP BODY ASS'Y	
6	127		1	381 604 604		METERING DIAPHRAGM GASKET	
6	128		1	381 600 525		METERING DIAPHRAGM ASS'Y	
6	130		1	381 600 115		PRIMER PUMP	
6	131		1	374 604 605		PRIMER PUMP COVER	
6	132		4	381 604 601		PUMP COVER SCREW	
6	133		1	374 606 100		O RING	
6	134		1	374 300 402		AIR CLEANER HOUSING	
6	135		1	374 300 401		AIR FILTER	
6	136		1	374 300 403		AIR CLEANER COVER	
6	137		2	367 330 560		SCREW ASS'Y	M5X60(W/W)
6	* A01		1	377 900 100	STANDARD EQUIPMENT	TOOL KIT	
	* NO PICT.						

HT-2145 D	1	Handle, gear, shear blade
	2	Engine, starter, fuel tank
	3	Carburetor, air filter, tool kit
HT-2162 E	4	Handle, gear, shear blade
	5	Engine, starter, fuel tank
	6	Carburetor, air filter, tool kit

	Key to symbols
⇒ 1999999 2000000 ⇒ 2003.04 ⇒ TI 2003/07 Acc. = { m Corr.	Production to serial number New part from serial number New part from Year / Month See Technical Information Year / No. Accessories (not included in the delivery inventory) No standard execution, may be used Contains item number Sold by the meter Error correction
	Specifications subject to change without notice

## Free Manuals Download Website

<http://myh66.com>

<http://usermanuals.us>

<http://www.somanuals.com>

<http://www.4manuals.cc>

<http://www.manual-lib.com>

<http://www.404manual.com>

<http://www.luxmanual.com>

<http://aubethermostatmanual.com>

Golf course search by state

<http://golfingnear.com>

Email search by domain

<http://emailbydomain.com>

Auto manuals search

<http://auto.somanuals.com>

TV manuals search

<http://tv.somanuals.com>