

Operator's and Safety Manual for Gasoline Chain Saws (page 2 - 37)

Manuel d'emploi et de sécurité de tronçonneuses thermiques (page 38 - 73)

WARNING!

Read and understand this Manual. Always follow safety precautions in the Operator's and Safety Manual. Improper use can cause serious injury! Preserve this Manual carefully!

WARNING!

FUELS WITH MORE THAN 10% ETHANOL ARE NOT APPROVED FOR USE IN DOLMAR 2-STROKE ENGINES!

Use of alternative fuels, such as E-20 (20% ethanol), E-85 (85% ethanol) or any fuels not meeting DOLMAR requirements are not approved for use in DOLMAR 2-stroke gasoline engines!

USE OF ALTERNATIVE FUELS CAN CAUSE THE FOLLOWING PROBLEMS:

Poor engine performance, loss of power, overheating, fuel vapor lock, improper clutch engagement, premature deterioration of fuel lines, premature deterioration of gaskets, premature deterioration of carburetors.

USING ALTERNATIVE FUELS AND/OR 2-STROKE OILS NOT ACCORDING TO JASO FC OR ISO-L-EGD IN DOLMAR 2-STROKE ENGINES WILL VOID YOUR ENGINE WARRANTY!

ATTENTION!

Suivez toujours les conseils de sécurité du présent manuel d'emploi et de sécurité. Une utilisation incorrecte de la tronçonneuse peut entraîner des blessures graves!

Lisez et comprenez ce manuel. Conservez avec soin ce manuel!

ATTENTION!

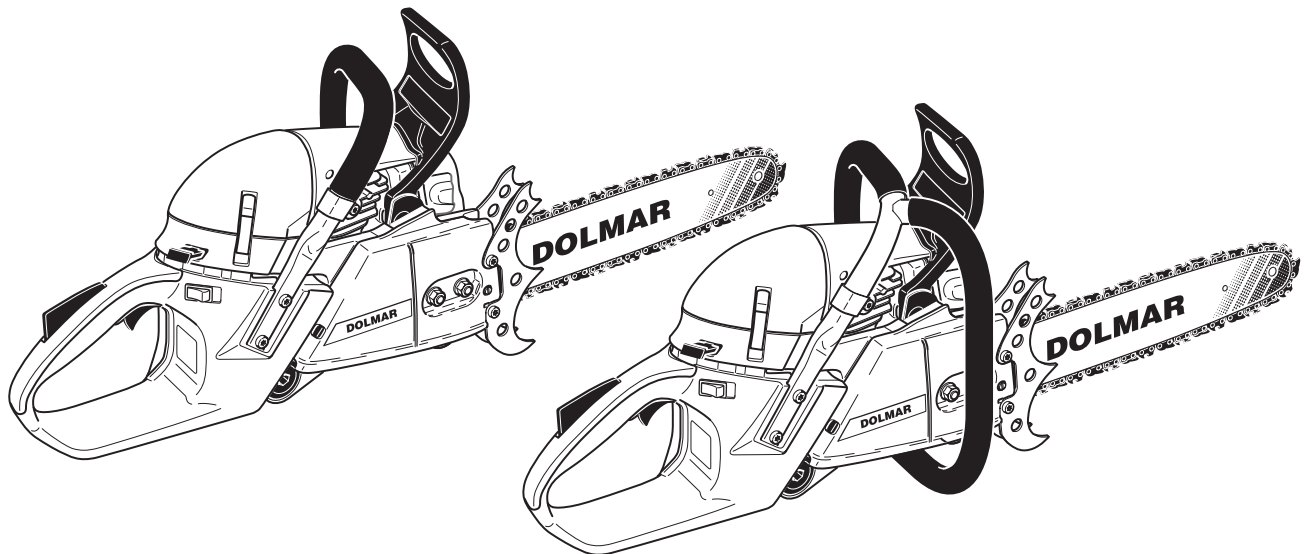
LES CARBURANTS CONTENANT PLUS DE 10 % D'ÉTHANOL NE SONT PAS AUTORISÉS POUR L'UTILISATION DANS LES MOTEURS 2 TEMPS!

Les carburants alternatifs, tels que E-20 (20 % d'éthanol), E-85 (85 % d'éthanol) ou tout autre carburant n'étant pas conformes aux exigences DOLMAR ne sont pas autorisés pour l'utilisation dans les moteurs essence à 2 temps DOLMAR!

L'UTILISATION DE CARBURANTS ALTERNATIFS PEUT CAUSER LES PROBLÈMES SUIVANTS:

Faible performance moteur, Perte de puissance, Surchauffe, Bouchons de vapeur dans la conduite d'essence, Embrayage incorrect, Déterioration prématurée des conduites d'essence, Déterioration prématurée des joints d'étanchéité, Déterioration prématurée des carburateurs.

L'UTILISATION DE CARBURANTS ALTERNATIFS ET/OU D'HUILES 2 TEMPS NON-CONFORMES À LA NORME JASO FC OU ISO-L-EGD DANS LES MOTEURS À 2 TEMPS DOLMAR ANNULERA VOTRE GARANTIE MOTEUR!



**PS-7310, PS-7310 H
PS-7910, PS-7910 H**

DOLMAR



EMISSIONS COMPONENT DEFECT WARRANTY COVERAGE

DOLMAR warrant to the initial retail purchaser and each subsequent owner, that this utility equipment was designed, built, and equipped to conform at the time of initial sale to all applicable regulations of the U.S. Environmental Protection Agency (EPA), and that the engine is free of defects in materials and workmanship which would cause this engine to fail to conform with EPA regulations during its warranty period.

For the components listed under PARTS COVERED, the service dealer authorized by DOLMAR will, at no cost to you, make the necessary diagnosis, repair, or replacement necessary to ensure that the engine complies with applicable U.S. EPA regulations.

EMISSION COMPONENT DEFECT WARRANTY PERIOD

The warranty period for this engine begins on the date of sale to the initial purchaser and continues for a period of 2 years.

PARTS COVERED

Listed below are the parts covered by the Emission Components Defect Warranty. Some of the parts listed below may require scheduled maintenance and are warranted up to the first scheduled replacement point for that part.

Fuel Metering System

Carburetor and internal parts
Fuel filter, if applicable
Throttle stopper, if applicable
Choke System, if applicable

Ignition System

Spark plug
Flywheel Magneto
Ignition Coil

Air Induction System

Pre filter, if exist
Air filter, Air filter case, Intake manifold

Miscellaneous Items Used in Above Systems

Fuel hoses, clamps and sealing gaskets

Components with evaporative emissions

Fuel tank, Fuel tank cap

OBTAINING WARRANTY SERVICE

To obtain warranty service, take your engine to the nearest DOLMAR service Center authorized by DOLMAR. Bring your sales receipts indicating date of purchase for this engine. The dealer of service authorized by DOLMAR will perform the necessary repairs or adjustments within a reasonable amount of time and furnish you with a copy of the repair order. All parts and accessories replaced under this warranty become the property of DOLMAR.

WHAT IS NOT COVERED

- Conditions resulting from tampering, misuse, improper adjustment (unless they were made by the service dealer authorized by DOLMAR during a warranty repair), alteration, accident, failure to use the recommended fuel and oil, or not performing required maintenance services.
- The replacement parts used for required maintenance services.
- Consequential damages such as loss of time, inconvenience, loss of use of the engine or equipment, etc.
- Diagnosis and inspection charges that do not result in warranty-eligible service being performed.
- Any non-authorized replacement part, or malfunction of authorized parts due to use of non-authorized parts.

OWNER'S WARRANTY RESPONSIBILITIES

As the engine owner, you are responsible for the performance of the required maintenance listed in your operator's manual. DOLMAR recommends that you retain all receipts covering maintenance on your engine, but DOLMAR cannot deny warranty solely for the lack of receipts or for your failure to ensure the performance of all scheduled maintenance. As the engine owner, you should however be aware that DOLMAR may deny warranty coverage if your engine or a part has failed due to abuse, neglect, improper maintenance or unapproved modifications.

You are responsible for presenting your engine to the nearest service dealer authorized by DOLMAR when a problem exists.

If you have any questions regarding your warranty rights and responsibilities, you should contact the DOLMAR Warranty service Department at 1-888-OPE-PART or info@dolmar.com for the information.

THINGS YOU SHOULD KNOW ABOUT THE EMISSION CONTROL SYSTEM WARRANTY:

MAINTENANCE AND REPAIRS

You are responsible for the proper maintenance of the engine. You should keep all receipts and maintenance records covering the performance of regular maintenance in the event questions arise. These receipts and maintenance records should be transferred to each subsequent owner of the engine. DOLMAR reserves the right to deny warranty coverage if the engine has not been properly maintained. Warranty claims will not be denied, however, solely because of the lack of required maintenance or failure to keep maintenance records.

MAINTENANCE, REPLACEMENT OR REPAIR OF EMISSION CONTROL DEVICES AND SYSTEMS MAY BE PERFORMED BY ANY REPAIR ESTABLISHMENT OR INDIVIDUAL; HOWEVER, WARRANTY REPAIRS MUST BE PERFORMED BY A SERVICE DEALER AUTHORIZED BY DOLMAR. THE USE OF PARTS THAT ARE NOT EQUIVALENT IN PERFORMANCE AND DURABILITY TO AUTHORIZED PARTS MAY IMPAIR THE EFFECTIVENESS OF THE EMISSION CONTROL SYSTEM AND MAY HAVE A BEARING ON THE OUTCOME OF A WARRANTY CLAIM.

If other than the parts authorized by DOLMAR are used for maintenance replacements or for the repair of components affecting emission control, you should assure yourself that such parts are warranted by their manufacturer to be equivalent to the parts authorized by DOLMAR in their performance and durability.

HOW TO MAKE A CLAIM

All repair qualifying under this limited warranty must be performed by a service dealer authorized by DOLMAR. In the event that any emission-related part is found to be defective during the warranty period, you shall notify DOLMAR Warranty service Department at 1-888-OPE-PART or info@dolmar.com and you will be advised of the appropriate warranty service dealer or service providers where the warranty repair can be performed.

WARNING !

Careless or improper use of this product can cause serious or even fatal injury.

Before operating a chain saw or other DOLMAR products it is important that you read, fully understand and carefully follow the instructions outlined in this operator's manual. Kickback may cause severe or fatal injury and is one of many potential dangers in operating a chain saw. Kickback and other safety related precautions are described in detail within this operator's manual. Additional operator's manuals are available from DOLMAR POWER PRODUCTS, PO Box 5007, Alpharetta, GA, 30005-5007, USA, Telephone 1-888-OPE-PART or info@dolmar.com

This product complies with: American National Standard Institute B 175.1-2000 chain saw safety standard.
Canadian Standards Association Z62.1-03 chain saw safety standard.
Z62.3-04 chain saw kickback standard.
Society of Automotive Engineers SAEJ 335-Jun 95 „Multiposition small engine exhaust system fire ignition suppression”

The Emissions Compliance Period referred to on the emission Compliance label indicates the number of operating hours for which the engine has been shown to meet federal emissions requirements. Category C= 50 hours, B= 125 hours, and A= 300 hours.

With the purchase of this chain saw you have chosen a German quality product. Important instructions for the assembly and operation of this saw are given in this manual. For your own safety, we ask you to read the accident prevention instructions very carefully before putting your chain saw into operation, as incorrect handling can, despite all precautions, lead to accidents. With a little care and attention you will have good service and lasting satisfaction from this first-rate product.



PS-7310, PS-7910

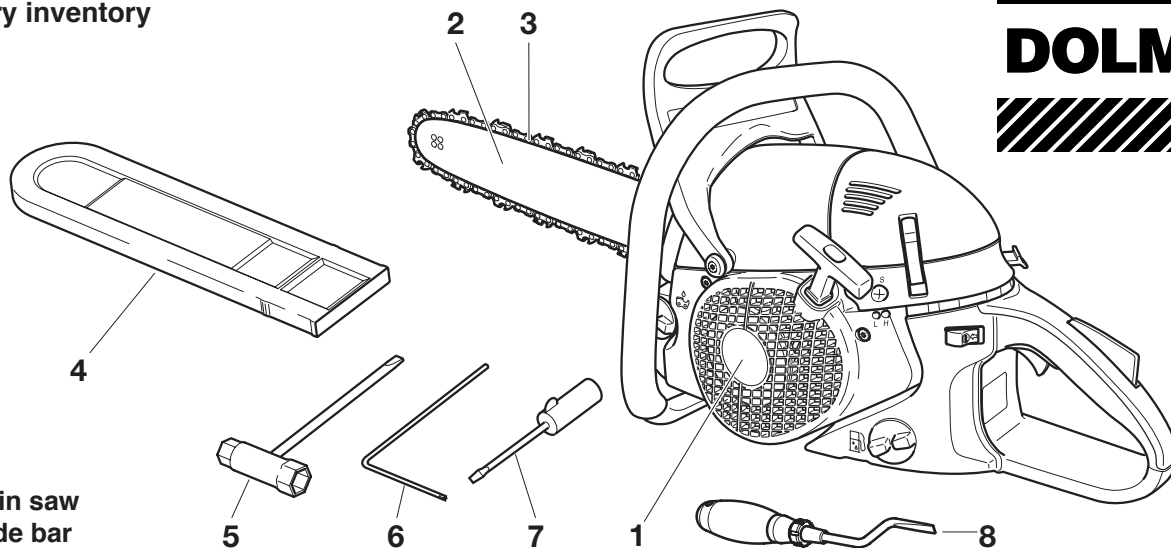
Contents	Page	Contents	Page
Delivery inventory	4	Cleaning the guide bar	30
Symbols	4	Replacing the saw chain.....	30
Safety precautions.....	5-16	Replacing the fuel filter.....	30
Denomination of components.....	17	Cleaning the air filter.....	31
Technical data.....	18	Replacing the spark plug.....	32
Mounting the guide bar and saw chain.....	19-21	Replacing the starter cable.....	33
Chain brake	21	Replacing the return spring	33
Fuel / Refuelling.....	22-23	Mounting the fan housing	34
Chain lubrication.....	24	Cleaning the cylinder area.....	34
Starting the engine	25	Replacing / cleaning the spark arrester screen	34
Stopping the engine.....	25	Instructions for daily and periodic maintenance	35
Checking the chain brake	25	Service, spare parts and guarantee	35-36
Adjusting the carburetor	26	Troubleshooting	36
Working in summer / winter.....	26	Extract from the spare parts list.....	37
Handle heating (only on "H" model saws)	27		
Sharpening the saw chain	27-28		
Cleaning the brake band and sprocket interior.....	29		

The PS-7310 and PS-7910 will be delivered in a protective cardboard box to prevent transport damage. Cardboard is a basic raw material and is consequently reuseable or suitable for recycling (waste paper recycling).



Delivery inventory

DOLMAR



- 1 Chain saw
- 2 Guide bar
- 3 Saw chain
- 4 Chain protection cover
- 5 Universal wrench
- 6 Wrench
- 7 Screw driver for carburetor adjustment
- 8 Cylinder fin cleaner
- 9 Operator's and Safety Manual (not shown)

In case one of the parts listed should not be included in the delivery inventory, please consult your sales agent.

Symbols

You will notice the following symbols on the chain saw and in the Operator's and Safety Manual. Further symbols see page 6.

	Read Operator's and Safety Manual and follow the warning- and safety precautions!		Caution, kickback!
	Particular care and caution!		Chain brake
	Forbidden!		Fuel and oil mixture
	Wear protective helmet, eye and ear protection!		Working in summer / winter
	Wear protective gloves!		Handle heating
	No smoking!		Carburetor adjustment
	No open fire!		Chain oil fill/oil pump
	Stop engine!		Saw chain oil adjustment screw
	Push the starting valve		First aid
	Engine - manual start		Do not touch hot surfaces!
	On/Off (I/O) switch		Recycling

Safety precautions for chain saw operators

While operating the chain saw please observe the following rules:

- a) Contact of the guide bar nose with any object should be avoided.
- b) Tip contact may cause the guide bar to move suddenly upward and backward, which may cause serious or fatal injury.
- c) Always operate the chain saw with both hands.

WARNING!

Read and follow all safety precautions in the operator's manual. Failure to follow instructions could result in serious injury. It is recommended to lend the chain saw only to people who are experienced in working with chain saws. Always hand over the Operator's and Safety Manual.

WARNING!

This chain saw is capable of severe kickback that could result in serious injury to the operator. Do not operate this chain saw unless you have extraordinary cutting needs and experience in and special training for dealing with kickback. Chain saws with significantly reduced kickback potential are available.

WARNING!

Kickback may occur when the nose or tip of the guide bar touches an object, or when the wood closes in and pinches the saw chain in the cut. This contact may abruptly stop the **saw chain** and in some cases may cause a lightning fast reverse **reaction**, kicking the guide bar up and back towards the user, or push the guide bar back towards the operator. **Kickback** may cause you to lose control of the saw.

As a chain saw user, you can take several steps to reduce the risk of a kickback and potential injury.

- A. With a basic understanding of kickback, you can reduce or eliminate the element of surprise. It is a sudden surprise that contributes to accidents.
- B. Keep a good firm grip on the saw with both hands, your right hand on the rear grip and your left hand on the tubular handle, when the engine is running. Use a firm grip with thumbs and fingers encircling the chain saw handles. A firm grip can neutralize kickback and help you maintain control of the saw. Don't let go!
- C. Make sure that the area in which you are cutting is free from obstructions. Do not let the nose of the guide bar contact the log, branch, or any other obstructions which could be hit while you are operating the saw.
- D. Do not overreach or cut above shoulder height.
- E. Follow manufacturer's sharpening and maintenance instructions for the saw chain.
- F. Only use replacement bars and chains specified by the manufacturer or the equivalent.

Additional safety precautions

The following additional safety precautions must be observed by all users of chain saws:

1. Do not operate a chain saw when you are fatigued.
2. Use safety footwear; snug-fitting clothing; protective gloves; and eye, hearing, and head protection devices.
3. Use caution when handling fuel. Move the chain saw at least 10 feet (3 m) from the fueling point before starting the engine.
4. Do not allow other persons to be near the chain saw when starting or cutting with the chain saw. Keep bystanders and animals out of the work area.
5. Do not start cutting until you have a clear work area, secure footing, and a planned retreat path from the falling tree.
6. Keep all parts of your body away from the saw chain when the engine is running.
7. Before you start the engine, make sure that the saw chain is not contacting anything.
8. Carry the chain saw with the engine stopped, the guide bar and saw chain to the rear, and the muffler away from your body.
9. Do not operate a chain saw that is damaged, is improperly adjusted, or is not completely and securely assembled. Be sure that the saw chain stops moving when the throttle control trigger is released.
10. Shut off the engine before setting it down.
11. Use extreme caution when cutting small size brush and saplings because slender material may catch the saw chain and be whipped toward you or pull you off balance.
12. When cutting a limb that is under tension be alert for springback so that you will not be struck when the tension on the wood fibers is released.
13. Keep the handles dry, clean, and free of oil or fuel mixture.
14. Operate the chain saw only in well-ventilated areas.
15. Do not operate a chain saw in a tree unless you have been specifically trained to do so.
16. All chain saw service, other than the items listed in the operator's manual maintenance instructions, should be performed by DOLMAR. (For example, if improper tools are used to remove the flywheel or if an improper tool is used to hold the flywheel in order to remove the clutch structural damage to the flywheel could occur and could subsequently cause the flywheel to burst.)
17. When transporting your chain saw, use the chain protection cover.
18. Low kickback bars and low kickback chains are designed to reduce the risk of kickback injury. Ask your DOLMAR dealer about these devices.

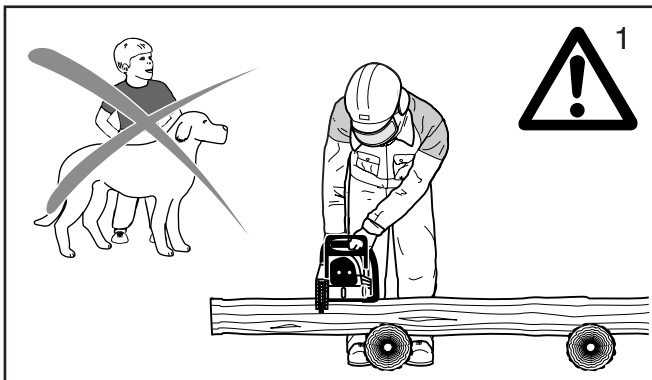
General Safety Precautions

The use of any chain saw may be hazardous. At full throttle chain speed can reach 45 mph (20 m/s). It is important that you read; fully understand and observe the following safety precautions and warnings. Read the Operator's Manual and the safety instructions periodically.

WARNING !

Reactive forces, including kickback, can be dangerous. Careless or improper use of any chain saw may cause serious or fatal injury.

Have your DOLMAR dealer show you how to operate your chain saw. Observe all applicable local safety regulations, standards and ordinances.



WARNING!

Minors should never be allowed to use a chain saw.

Bystanders, especially children and animals should not be allowed in the area where a chain saw is in use (fig. 1).

Never let the saw run unattended.

Store it in a locked place away from children. Fill the fuel tank to 7/8 th full (see storing the saw).

Do not lend your chain saw without this Operator's and Safety Manual. Be sure that anyone using your saw understands the information given.

Proper use of a chain saw involves

1. the operator
2. the saw
3. the use of the saw.

Discription of symbols used on chain saws:



CSA Standards Z62.1-03
Class 1A Z62.3-04

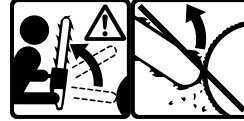
ANSI Standard B175.1-2000
SAE Standard SAE J335



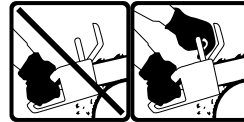
Maximum Computed Kickback Angle (CKA)* without using the chain brake when using the recommended bar and chain combinations (In this example the CKA is 45°).



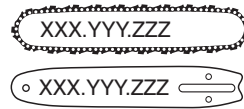
Maximum Computed Kickback Angle (CKA)* with using the chain brake when using the recommended bar and chain combinations (In this example the CKA is 40°).



Contact of the guide bar tip with any object should be avoided! Tip contact may cause the guide bar to move suddenly upward and backward, which may cause serious injury!



Always use two hands when operating the chain saw!



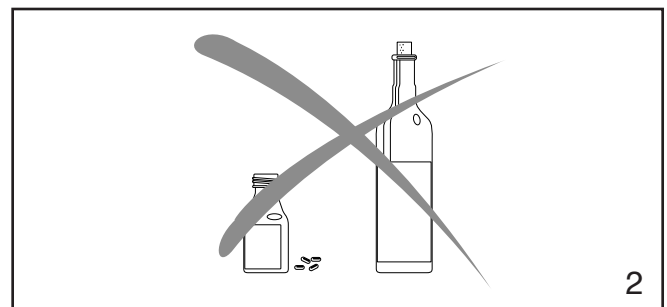
Reduced Kickback Bar and Chain combination that has been evaluated with the power head to achieve kickback protection (according to ANSI and CSA standards).

* The Computed Kickback Angle is a calculated value from energies measured on a test bench. It is not the angle of the guide bar moved upward in case of a KICKBACK.

The operator

Physical Condition

You must be in good physical condition and mental health and not under the influence of any substance (drugs, alcohol), which might impair vision, dexterity or judgment.



WARNING !

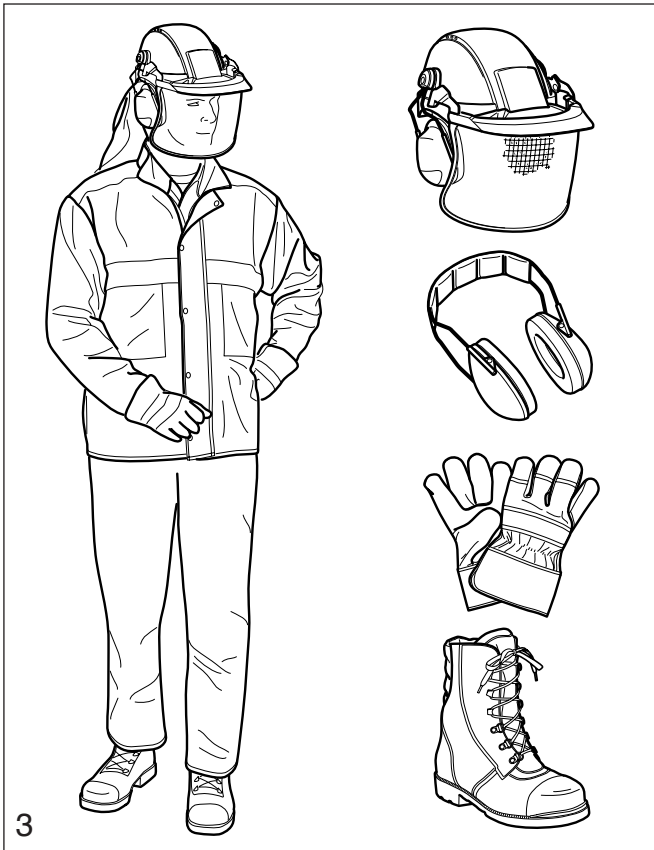
Prolonged use of chain saws exposing the operator to vibrations may produce Whitefinger disease (Raynaud's phenomenon). This phenomenon reduces the hand's ability to feel and regulate temperature, produces numbness and burning sensations and may cause nerve and circulation damage and tissue necrosis.

All DOLMAR saws are therefore provided with an antivibration system which is essential for those using chain saws on a regular or sustained basis. Antivibration systems do not guarantee that you will not sustain Whitefinger disease, however, they reduce this danger considerably. Nevertheless, continual and regular users should observe their hands and fingers and in case of any abnormal symptoms, seek medical advice immediately.

Proper clothing

Clothing must be sturdy and snug-fitting, but allow complete freedom of movement. Avoid loose-fitting jackets, scarfs, neckties, jewelry, flared or cuffed pants, or anything that could become entangled with the saw or brush. Wear overalls or jeans with a reinforced cutting resistant insert (fig. 3).

Protect your hands with gloves when handling saw and saw chain. Heavy-duty, nonslip gloves improve your grip and protect your hands.



Good footing is most important in chain saw work. Wear sturdy boots with nonslip soles. Steel-toed safety boots are recommended.

Proper eye protection is a must. Non-fogging, vented goggles and a face screen is recommended. Their use reduces the risk of eye and facial injury.

Wear an approved safety hard hat to protect your head. Chain saw noise may damage your hearing. Always wear noise protection equipment (ear plugs or ear muffs) to protect your hearing.

Continual and regular users should have their hearing checked regularly.



Wear protective helmet, eye and ear protection!

The saw

Parts of the chain saw: illustrations and description of parts see page 17.

WARNING !

Never modify a chain saw in any way. Only attachments supplied by DOLMAR or expressly approved by DOLMAR for use with the specific saw are authorized.

WARNING !

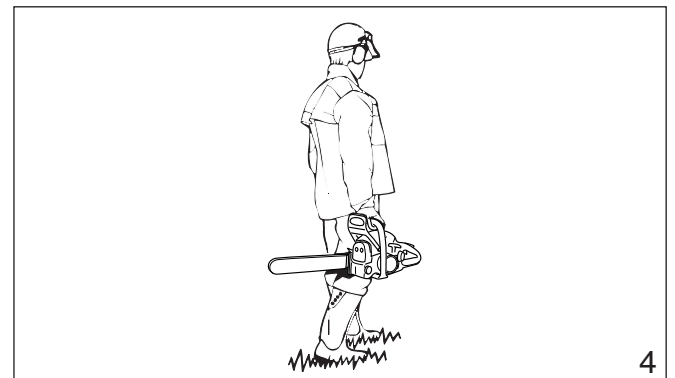
Bow guide bars substantially increase the potential for kickback and severe or fatal injury due to the greater kickback zone of the bow design. Bow guide bars are **not recommended** for use on DOLMAR chain saws nor are they approved by the ANSI B 175.1-2000 chain saw safety standard.

The use of the saw

Transporting the chain saw

WARNING!

Always stop the engine before putting a chain saw down or carrying it. Carrying a chain saw with the engine running is extremely dangerous. Accidental acceleration of the engine can cause the chain to rotate. Avoid touching the hot muffler.



By hand: When carrying your saw by hand, the engine must be stopped and the saw must be in the proper position.

The chain protection cover should be over the chain and the guide bar must point backwards. When carrying your saw the bar should be behind you (fig. 4).

By vehicle: When transporting in a vehicle, keep chain and bar covered with the chain guard. Properly secure your saw to prevent turnover, fuel spillage and damage to the saw. Make sure the saw is not exposed to heat or sparks.

Chain saw operating instructions

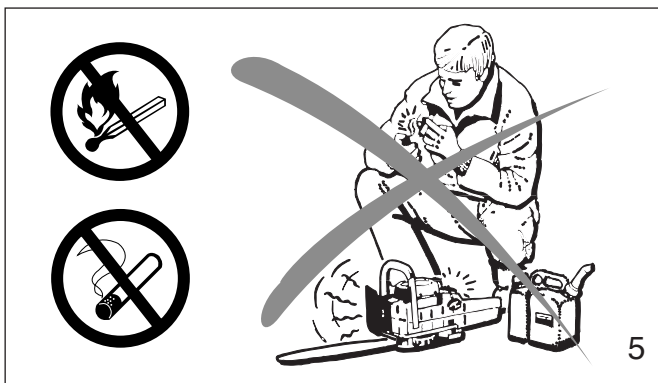
For assembly follow the procedure in the appropriate section "Mounting Guide Bar and Chain" of this manual. DOLMAR chain, guide bar and sprocket must match each other (see the appropriate section in this manual).

WARNING!

Proper tension of the chain is extremely important. In order to avoid false setting the tensioning procedure must be followed as described in this manual. Always make sure the hexagonal nut(s) for the sprocket guard is (are) tightened securely after tensioning the chain. Check chain tension once more after having tightened the nuts and thereafter at regular intervals (always before starting to work). If the chain becomes loose while cutting, shut off the engine and then tighten. Never try to tighten the chain while the engine is running!

Fueling

Your DOLMAR saw uses on oil-gasoline mixture for fuel (see chapter "Fuel" of this manual).



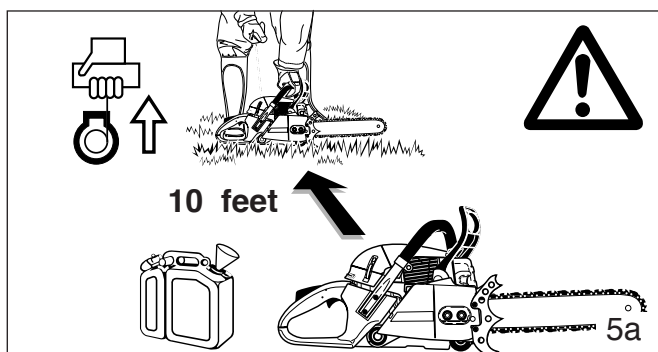
WARNING!

Gasoline is an extremely flammable fuel. Use extreme caution when handling gasoline or fuel mix. Do not smoke or bring any sparks or flame near the fuel (fig. 5).



Fueling instructions

Fuel your chain saw in well ventilated areas or outdoors. Always shut off the engine and allow it to cool before refueling. Select bare ground for fueling and move the chain saw at least 10 feet (3 m) from fueling spot before starting the engine (fig. 5a).



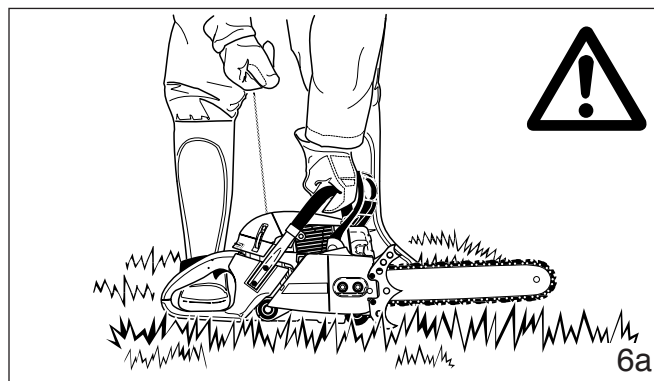
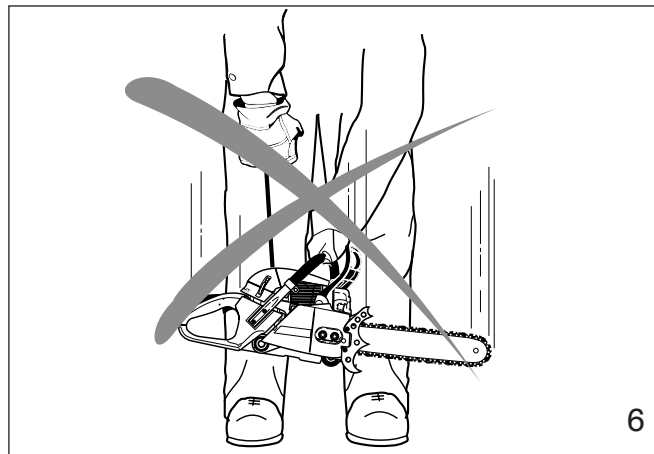
Wipe off any spilled fuel before starting your saw and check for leakage.

Check for fuel leakage while refueling and during operation. If fuel or oil leakage is found, do not start or run the engine until leak is fixed and spilled fuel has been wiped away. Clothing with fuel on it has to be changed immediately (this is a danger to your life!).

Avoid skin contact with fuel. Never loosen or remove the cap of the fuel tank while the engine is running.

Starting

Do not drop start. This method is very dangerous because you may lose control of the saw (fig. 6).



Place the chain saw on firm ground or other solid surface in an open area. Maintain a good balance and secure footing. Place your right foot through the rear handle opening and firmly grasp the front handle with your left hand (fig. 6a).

Be absolutely sure that guide bar and chain are clear of you or all other obstructions and objects, including the ground, because when the engine starts in semi-throttle position, engine speed will be fast enough for the clutch to engage the sprocket and turn the chain which may cause a kickback.

Never attempt to start the saw when the guide bar is in a cut or kerf.

When you pull the starter grip, don't wrap the starter rope around your hands. Do not allow the grip to snap back, but guide the starter rope slowly back to permit the rope to rewind properly. Failure to follow this procedure may result in injury to hand or fingers and may damage the starter mechanism.

Important adjustments

WARNING!

At correct idle speed, chain should not turn. For directions to adjust idle speed, see the appropriate section of this operator's manual.

Do not use a saw with incorrect idle speed adjustment. Adjust the idle speed yourself according to the appropriate section of this manual.

Have your DOLMAR dealer check your saw and make proper adjustments or repairs.

Check the saw chain tension frequently, especially just after installing a new chain. New chains may stretch more during their initial use. A properly adjusted saw chain can be pulled freely around the guide bar by hand without sagging. Always stop the engine and wear gloves when checking or adjusting the chain tension.

Working conditions

Operate your chain saw only outdoors. Operate the saw under good visibility and daylight conditions only.

WARNING!

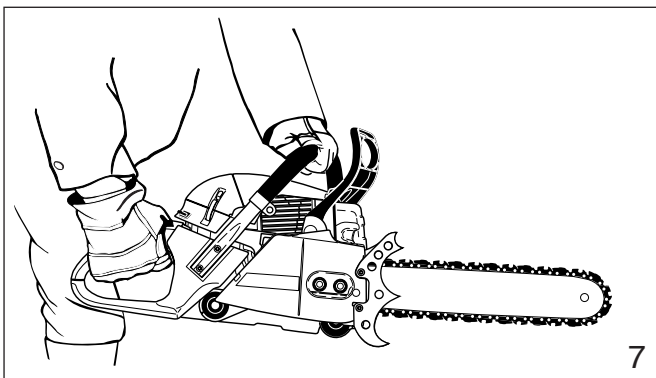
Take extreme care in wet and freezing weather (rain, snow, ice). Put off the work when the weather is windy, stormy or rainfall is heavy. Clear the area where you are working.

WARNING!

Avoid stumbling on obstacles such as stumps, roots or rocks and watch out for holes or ditches. Be extremely cautious when working on slopes or uneven ground. There is increased danger of slipping on freshly debarked logs.

Cutting instructions

Always hold the saw firmly with both hands when the engine is running. Place your left hand on the tubular handle and your right hand on grip and throttle lever. Left-handers should follow these instructions too.

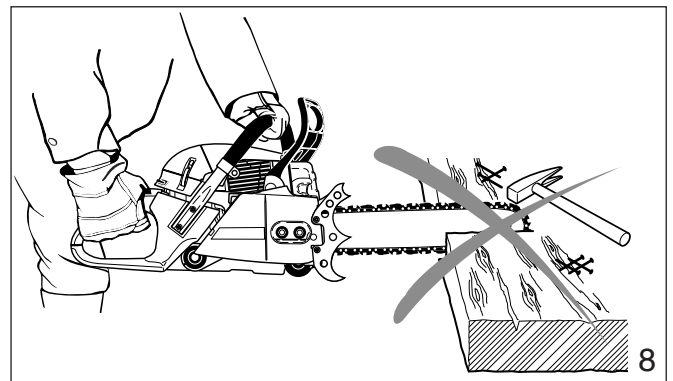


Wrap your fingers tightly around the handles, keeping the handles cradled between your thumb and forefinger (fig. 7). With your hands in this position, you can best oppose and absorb the push, pull and kickback forces of your saw without having it slip out of your grip (see section of reactive forces). Make sure your chain saw handle and grip are in good condition and free of moisture, pitch, oil or grease.

Always start a cut with the chain running at full speed and the spike bar in contact with the wood.

WARNING!

Never use the saw with one hand. You cannot control reactive forces (see pages 10 to 12) and may lose control of the saw.



WARNING!

Do not operate your chain saw in semi-throttle position. Cutting in this position does not permit the operator proper control of the saw or chain speed.

WARNING!

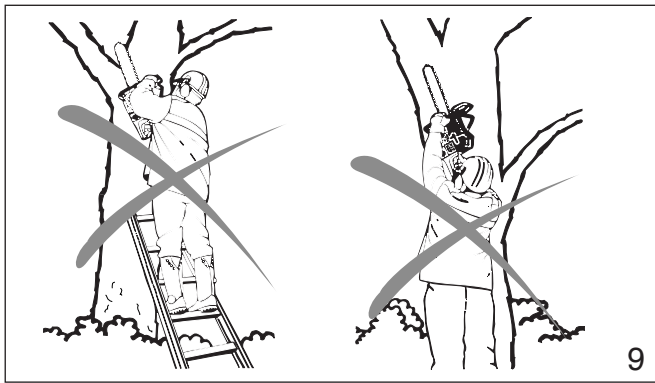
Never come too close to a rotating chain with your hands or body.

WARNING!

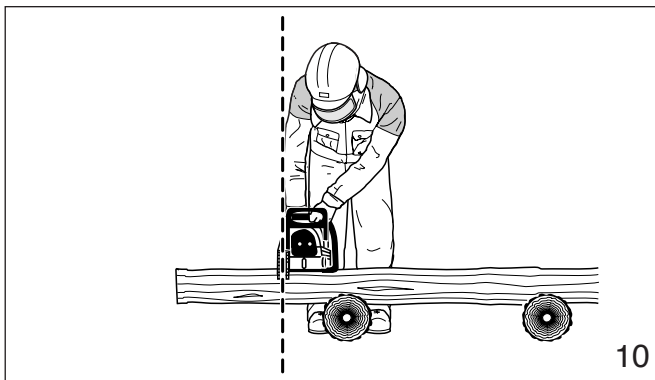
Do not cut any material other than wood or wooden objects.

Use your chain saw for cutting only. It is not designed for prying or shoveling away limbs, roots or other objects.

When sawing, make sure that the saw chain does not touch any foreign materials such as rocks, nails and the like (fig. 8). Such objects may be flung off, damage the saw chain or cause the saw to kickback.



In order to keep control of your saw, always maintain a firm foothold. Never work on a ladder, in a tree or on any other insecure support. Never use the saw above shoulder height (fig. 9).



Position the chain saw in such a way that your body is clear of the cutting attachment whenever the engine is running (fig. 10).

Don't put pressure on the saw when reaching the end of a cut. The pressure may cause the bar and rotating chain to pop out of the cut or kerf, go out of control and strike the operator or some other object. If the rotating chain strikes some other object a reactive force (see pages 11 to 13) may cause the chain to strike the operator.

Reactive forces during the cut, including kickback

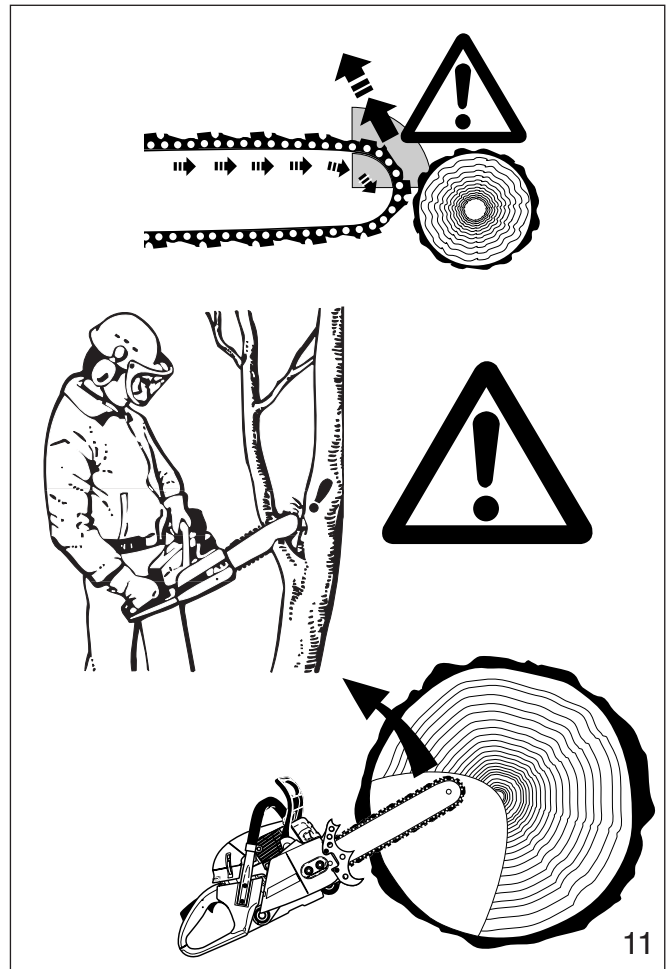
WARNING!

Reactive forces, that may occur during any cut are kickback, pushback and pull-in. Reactive forces can be dangerous! In any chain saw, the powerful force used to cut wood can be reversed (and work against the operator).

If the rotating chain is suddenly stopped by contact with any solid object like a log or branch or is pinched, the reactive forces instantly occur. These reactive forces may result in loss of control which may, in turn, cause serious or fatal injury. An understanding of the causes of these reactive forces may help you avoid loss of control.

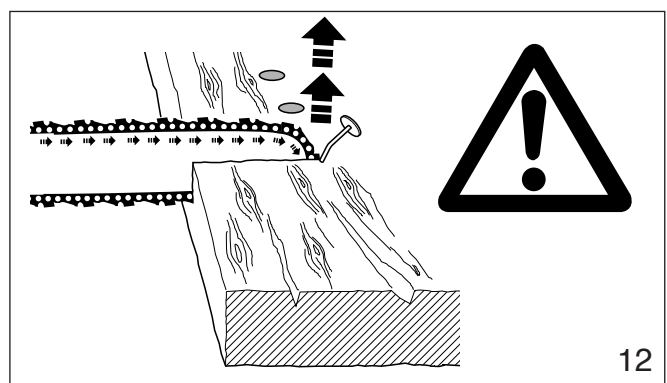
The most common reactive forces are

- kickback,
- pushback,
- pull-in.



Kickback:

Kickback occurs when the upper quadrant of the bar nose contacts a solid object in the wood or is pinched (fig. 11). The reaction of the cutting force of the chain causes a rotational force of the chain saw in the direction opposite to the chain movement, mainly in the plane of the bar. This may fling the bar in an uncontrolled arc towards the operator.



This reaction can occur in a fraction of a second and under some circumstances, cause the guide bar and chain to strike the operator with enough force to cause severe or fatal injury. It may also occur during limbing. It also occurs when the nose of the guide bar is pinched unexpectedly, unintentionally contacts solid material in the wood (fig.12) or is incorrectly used to begin a plunge or boring cut.

The greater the force of the kickback reaction, the more difficult it becomes for the operator to control the saw.

Many factors influence the occurrence and force of the kickback reaction. The type of bar and saw chain you use is a factor in the force of the kickback reaction.

The speed of contact at which the cutter contacts the object.

Kickback force increases with the rate of impact.

The contact angle between the nose of the bar and the foreign object (fig. 11).

Kickback is most pronounced in the upper quadrant of the bar nose.

DOLMAR chain types are designed to reduce kickback forces.

The depth gauges:

Improper lowering of the depth gauges also increases the risk of a kickback.

Saw chain cutter sharpness:

WARNING!

A dull improperly sharpened chain may increase the risk of kickback. Always cut with a properly sharpened chain.

Devices for reducing the risk of kickback injury

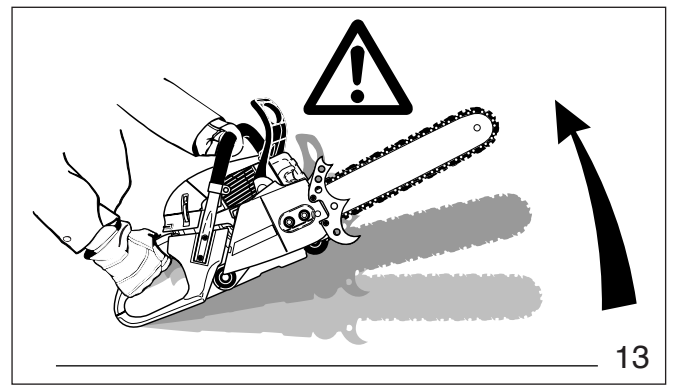
DOLMAR have developed a special chain brake to reduce the risk of kickbacks.

This chain brake increases the safety factor on the job, e.g. when the saw suddenly bucks upwards the chain stops rotating within a fraction of a second. A deflection guard on the disengaging lever of the chain brake and a scoop rear handle ensure that the operator's hands are fully protected at all times.

Kickback tendency increases as the radius or size of the guide bar nose increases. DOLMAR have developed guide bars with small nose radius, to reduce the kickback tendency.

WARNING!

No chain brake prevents kickback. These brakes are designed only to stop the chain, if activated. To ensure a proper operation of the chain brake, it must be properly maintained. Furthermore, there must be a sufficient distance between the operator and the bar to ensure that the chain brake has sufficient time to activate and stop the chain before potential contact with the operator.



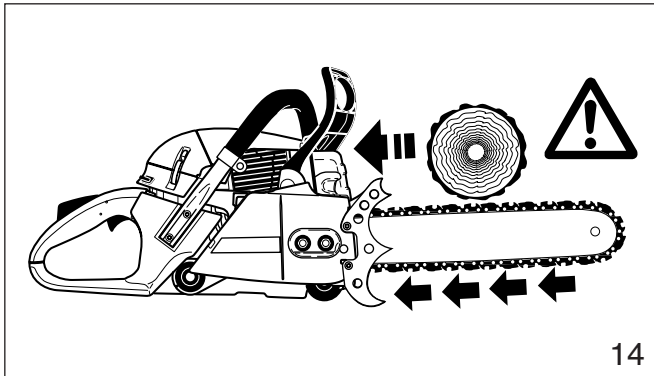
To avoid kickback

The best protection from personal-injury that may result from kickback is to avoid kickback situations:

1. Hold the chain saw firmly with both hands and maintain a secure grip.
2. Be aware of the location of the guide bar nose at all times.
3. Never bring the nose of the guide bar in contact with any object. Do not cut limbs with the nose of the guide bar. Be especially careful with small, tough limbs, small size brush and saplings which may easily catch the chain.
4. Don't overreach.
5. Don't cut above shoulder height.
6. Begin cutting and continue at full throttle.
7. Cut only one log at a time.
8. Use extreme caution when re-entering a previous cut.
9. Do not attempt plunge cuts (see page 13) if you are not experienced with these cutting techniques.
10. Be alert for shifting of the log or other forces that may cause the cut to close and pinch the chain.
11. Maintain saw chain properly. Cut with a correctly sharpened, properly tensioned chain at all times.
12. Stand to the side of the cutting path of the chain saw.

Pushback:

Pushback occurs when the chain on the top of the bar is suddenly stopped when it is pinched, caught or encounters a foreign object in the wood. The reaction of the chain drives the saw straight back toward the operator causing loss of saw control. Pushback frequently occurs when the top of the bar is used for cutting (fig. 14).



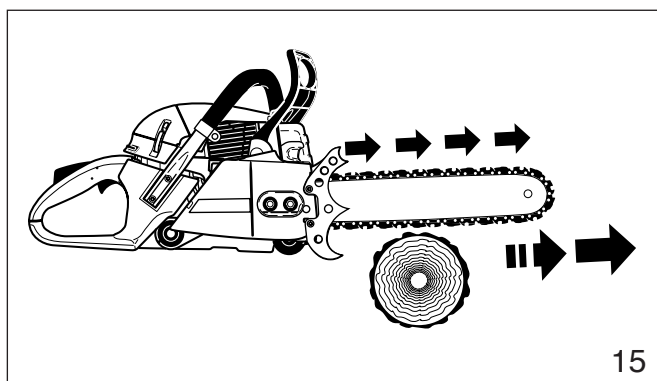
To avoid pushback

1. Be alert to forces or situations that may cause material to pinch the top of the chain.
2. Do not cut more than one log at a time.
3. Do not twist the saw when withdrawing the bar from a plunge cut or under buck cut (figures 25 to 27 and 33, pages 13 and 15), because the chain can pinch.

Pull-in:

Pull-in occurs when the chain on the bottom of the bar is suddenly stopped. The chain on the bottom of the bar stops when it is pinched, caught or encounters a foreign object in the wood (see fig. 15). The reaction of the chain pulls the saw forward, causing the operator to lose control.

Pull-in frequently occurs when the spike bar of the saw is not held securely against the tree or limb and when the chain is not rotating at full speed before it contacts the wood.



WARNING!

Use extreme caution when cutting small size brush and saplings which may easily catch the chain and pull you off balance.

To avoid pull-in

1. Always start a cut with the chain rotating at full speed and the spike bar in contact with the wood.
2. Pull-in may also be prevented by using plastic wedges to open the kerf or cut.

Cutting techniques

Felling

Felling is cutting down a tree.

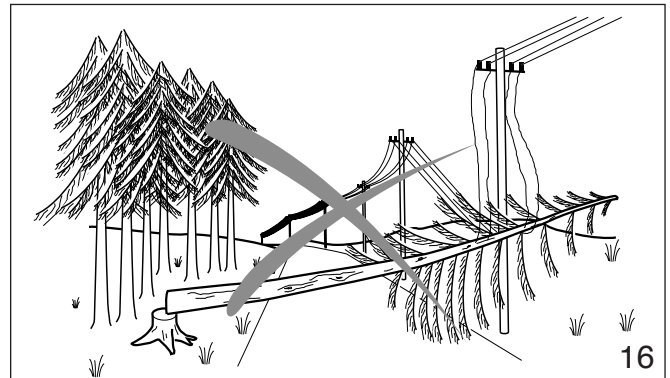
Before felling a tree, consider carefully all conditions which may affect the direction of fall, including:

- The intended direction of the fall.
- The neutral lean of the tree.
- Any unusually heavy limb structure.
- Surrounding trees and obstacles.
- The wind direction and speed.

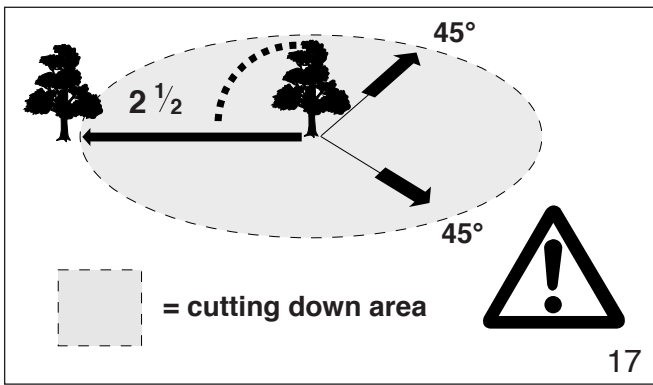
WARNING!

Always observe the general condition of the tree. Look for decay and rot in the trunk. If it is rotted inside, it could snap and fall toward the operator while being cut.

Also look for broken or dead branches which could vibrate loose and fall on the operator. When felling on a slope, the operator should stand on the up-hill side.



When felling in the vicinity of roads, railways and power lines, etc., take extra precautions (see fig. 16). Inform the police, utility company or railway authority before beginning to cut.



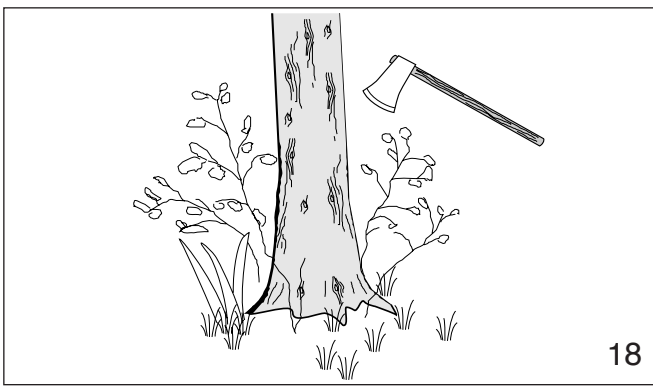
17

When felling, maintain a distance of at least 2 1/2 tree lengths from the nearest person (see fig. 17).

Note:

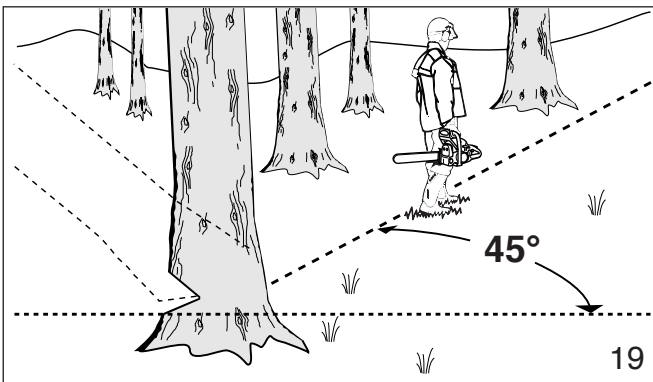
The noise of your engine may drown any warning call.

Felling instructions:



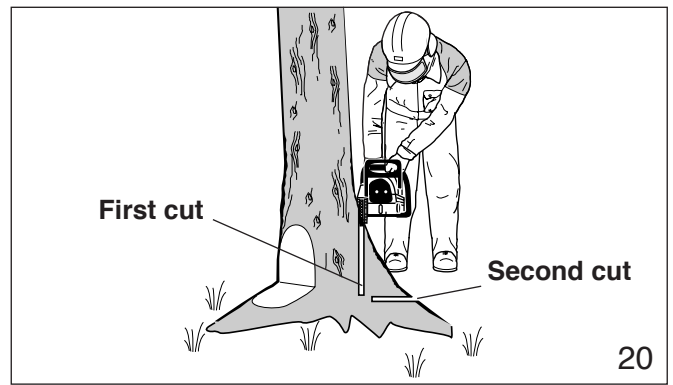
18

First clear the tree base and work area from interfering limbs and brush and clean its lower portion an axe (see fig. 18).



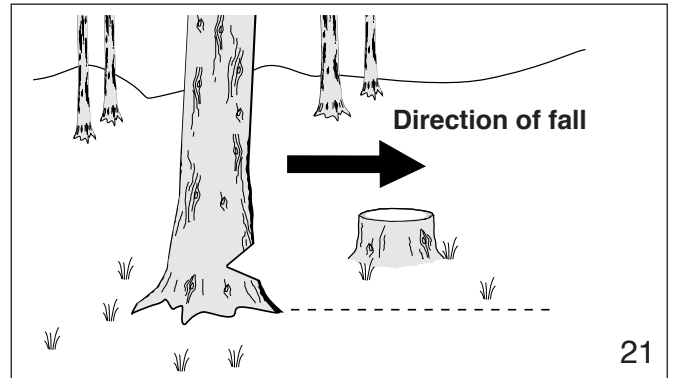
19

Then, establish a path of escape and remove all obstacles. This path should be opposite to the planned direction of the fall of the tree and at a 45° angle (fig. 19). An alternate path must also be selected. Place all tools and equipment a safe distance away from the tree, but not on the escape path.

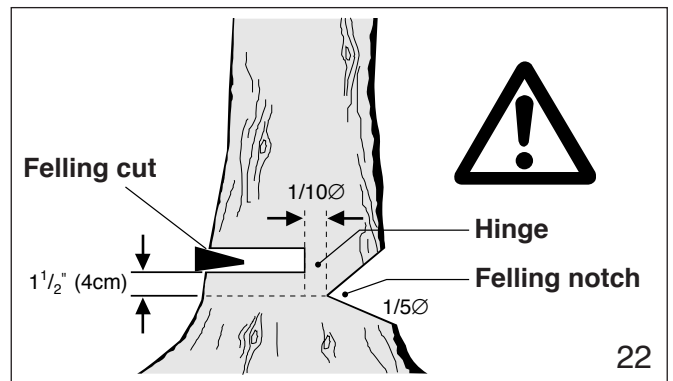


20

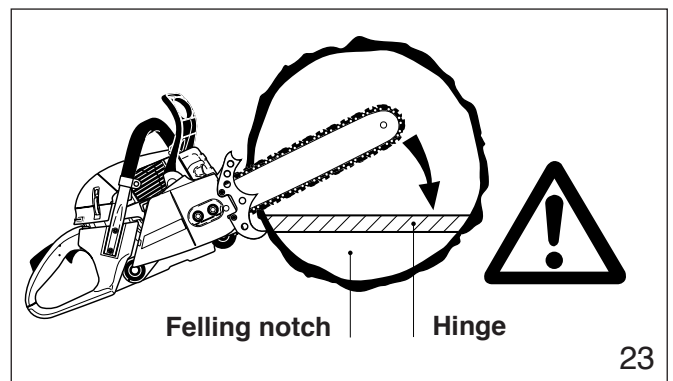
If the tree has large buttress roots, cut into the largest buttresses vertically first (horizontally next) and remove (fig. 20).



21



22



23

Then, determine the placement of the felling notch (fig. 21). The felling notch when properly placed determines the direction in which the tree will fall. It is made perpendicular to the line of fall and should be as close to the ground as possible. Cut the felling notch to a depth of about one-fifth to one-fourth of the trunk diameter (fig. 22). It should be in no case higher than it is deep. Make the felling notch very carefully.

Begin the felling cut slightly higher than the felling notch and on the opposite side of the tree (fig. 22). Then cut horizontally through towards the felling notch. Apply the chain saw with its spikes directly behind the uncut portion of wood and cut toward the notch (fig. 23). Leave approximately 1/10 of the tree diameter uncut! This is the hinge (fig. 23). Do not cut through the hinge because you could lose control of the direction of the fall. Drive wedges into the felling cut where necessary to control the direction of the fall. Wedges should be of wood, light alloy or plastic - never of steel, which can cause kickback and damage to the chain.

Always keep to the side of the falling tree. When the tree starts to fall, shut off the engine, withdraw the bar and walk away on the pre-planned escape path. Watch out for falling limbs.

WARNING!

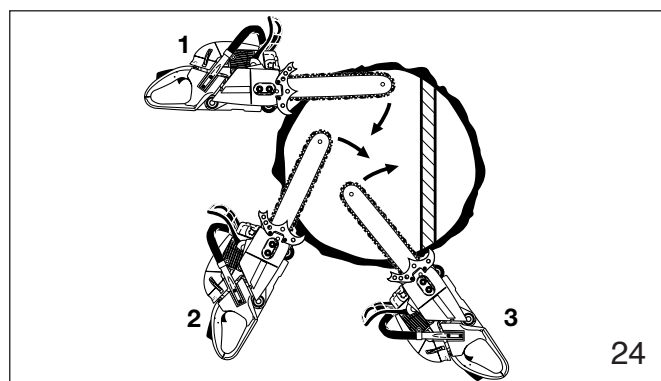
Be extremely careful with partially fallen trees which are poorly supported.

When the tree hangs or for some other reason does not fall completely, set the saw aside and pull the tree down with a cable winch, block and tackle or tractor. If you try to cut it down with your saw, you may be injured.

Sectioning Method

WARNING!

Felling a tree that has a diameter greater than the length of the guide bar requires use of either the sectioning or plunge-cut method. These methods are extremely dangerous because they involve the use of the nose of the guide bar and can result in kickback. Only properly trained professionals should attempt these techniques.



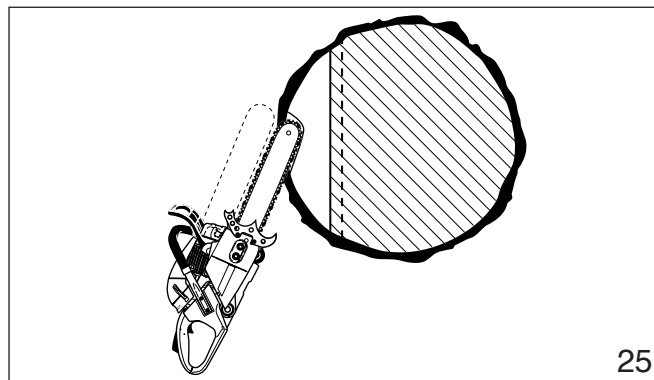
For the sectioning method (fig. 24) make the first cut with the guide bar fanning in toward the hinge. Then, using the bumper spike as a pivot, reposition the saw for the next cut. Avoid repositioning the saw more than necessary. When repositioning for the next cut, keep the guide bar fully engaged in the kerf to keep the felling cut straight. If the saw begins to pinch, insert a wedge to open the cut. On the last cut, do not cut the hinge.

Plunge-Cut Method

Timber having a diameter more than twice the length of the guide bar requires the use of the plunge-cut method before making the felling cut.

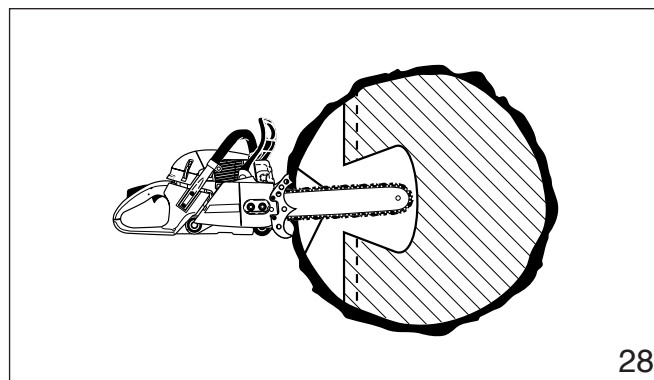
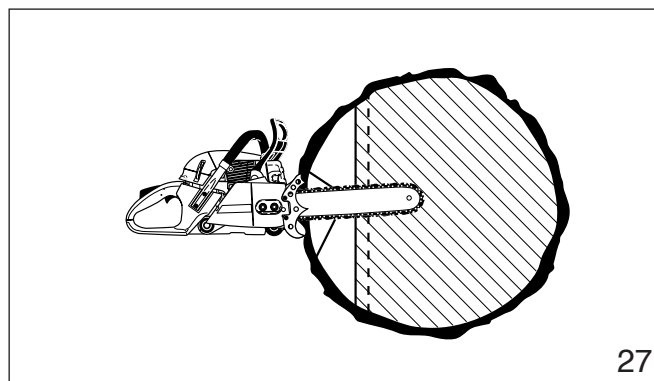
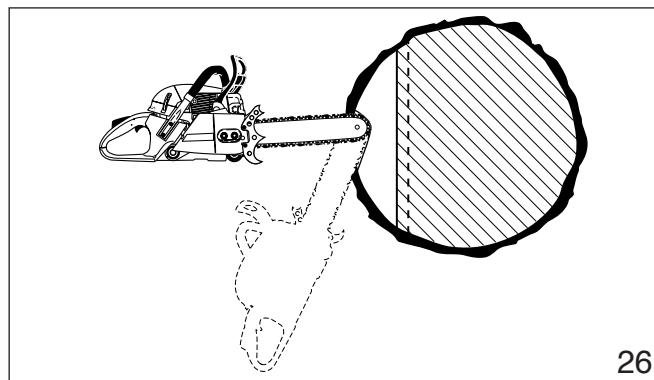
First, cut a large, wide notch. Make a plunge cut in the center of the notch.

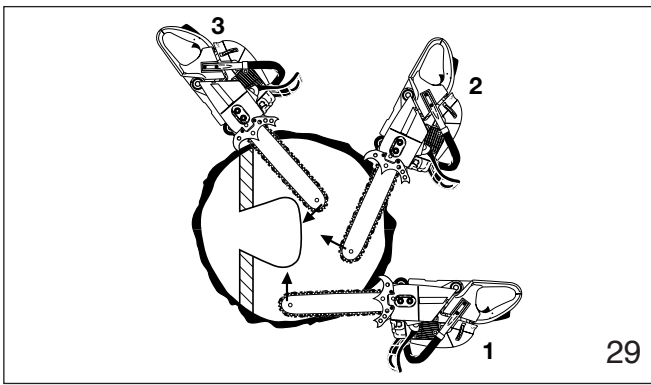
The plunge cut is made with the guide bar nose. Begin the plunge cut by applying the lower portion of the guide bar nose to the tree at an angle (fig. 25). Cut until depth of the kerf is about the same as the width of the guide bar (fig. 26). Next, align the saw in the direction



in which the recess is to be cut. With the saw at full throttle, insert the guide bar in the trunk (fig. 27).

Enlarge the plunge cut as shown in illustration (fig. 28)





WARNING!

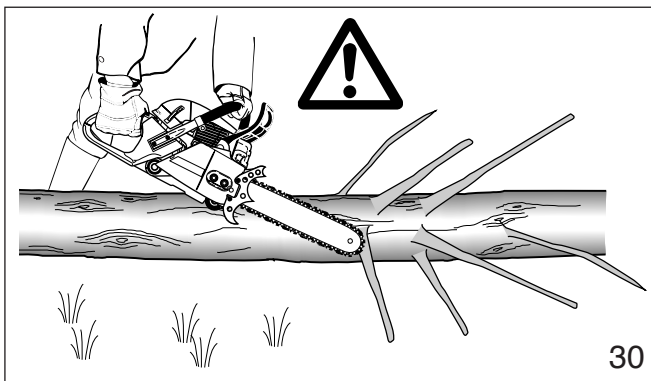
There is an extreme danger of kickback at this point. Extra caution must be taken to maintain control of the saw. To make the felling cut, follow the sectioning method described previously (fig. 29). If you are inexperienced with a chain saw plunge-cutting should not be attempted. Seek the help of a professional.

Limbing

Limbing is removing the branches from a fallen tree.

WARNING!

There is an extreme danger of kickback during the limbing operation. Do not work with the nose of the bar. Be extremely cautious and avoid contacting the log or other limbs with the nose of the guide bar. Do not stand on a log while limbing it - you may slip or the log may roll.

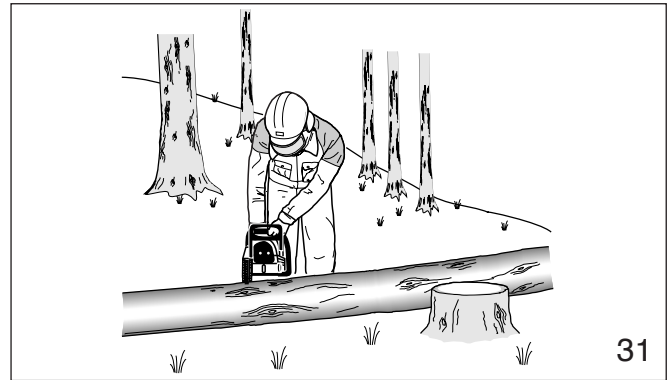


WARNING!

Be extremely cautious when cutting limbs under tension. The limbs could spring back toward the operator and cause loss of control of the saw or injury to the operator.

Bucking

Bucking is cutting a log into sections.



WARNING!

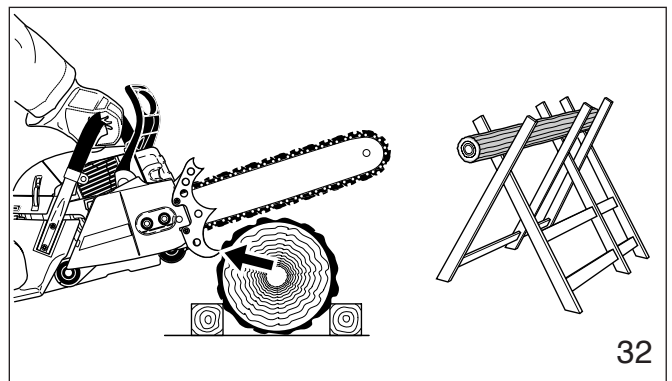
1. When bucking, do not stand on the log. Make sure the log will not roll down-hill. If on a slope, stand on the up-hill side of the log (see fig. 31). Watch out for rolling logs.

WARNING!

2. Cut only one log at a time.

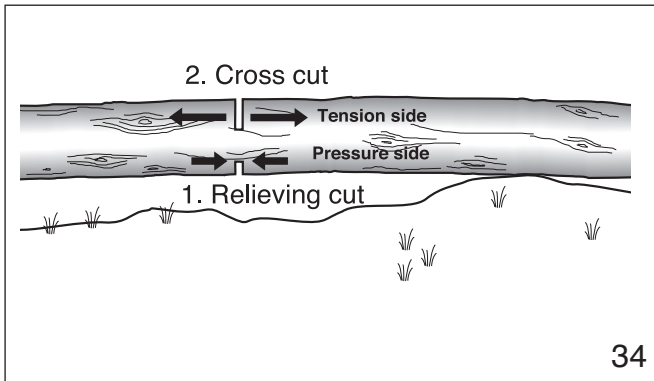
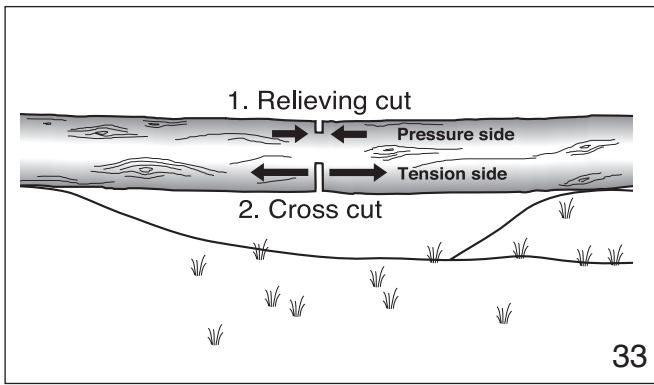
WARNING!

3. Shattered wood should be cut very carefully. Sharp slivers of wood may be caught and flung in the direction of the operator of the saw.



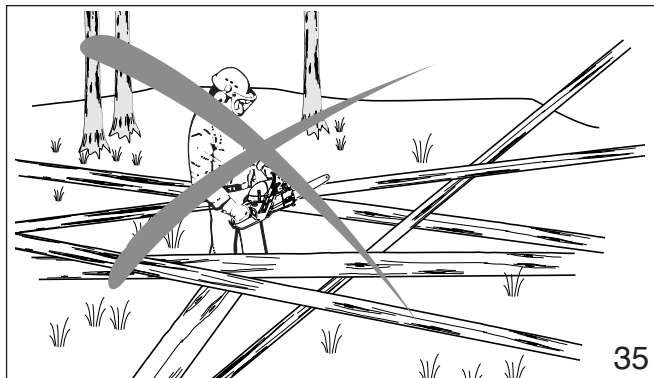
WARNING!

4. When cutting small logs, use a sawhorse (fig. 32). Never permit another person to hold the log. Never hold the log with your leg or foot.



WARNING!

- Logs under strain require special attention to prevent the saw from pinching. The first cut is made on the compression side to relieve the stress on the log (see fig. 33, 34). The bucking cut is then made as shown. If the saw pinches, stop the engine and remove it from the log.



WARNING!

- Only properly trained professionals should work in an area where the logs, limbs and roots are tangled (i. e. a blowdown area, fig. 35). Working in blowdown areas is extremely hazardous.

WARNING!

- Drag the logs into a clear area before cutting. Pull out exposed and cleared logs first.

Maintenance and Repair

Never operate a chain saw that is damaged, improperly adjusted or not completely or securely assembled. Follow the maintenance and repair instructions in the appropriate section of this manual.

WARNING !

Always stop the engine and make sure that the chain is stopped before commencing any maintenance or repair work or cleaning the saw. Allow the chain saw to cool off before doing any maintenance work (burn hazard)!

Do not attempt any maintenance or repair work not described in this manual. Have such work performed by your DOLMAR service shop only.

Maintaining and storing the saw

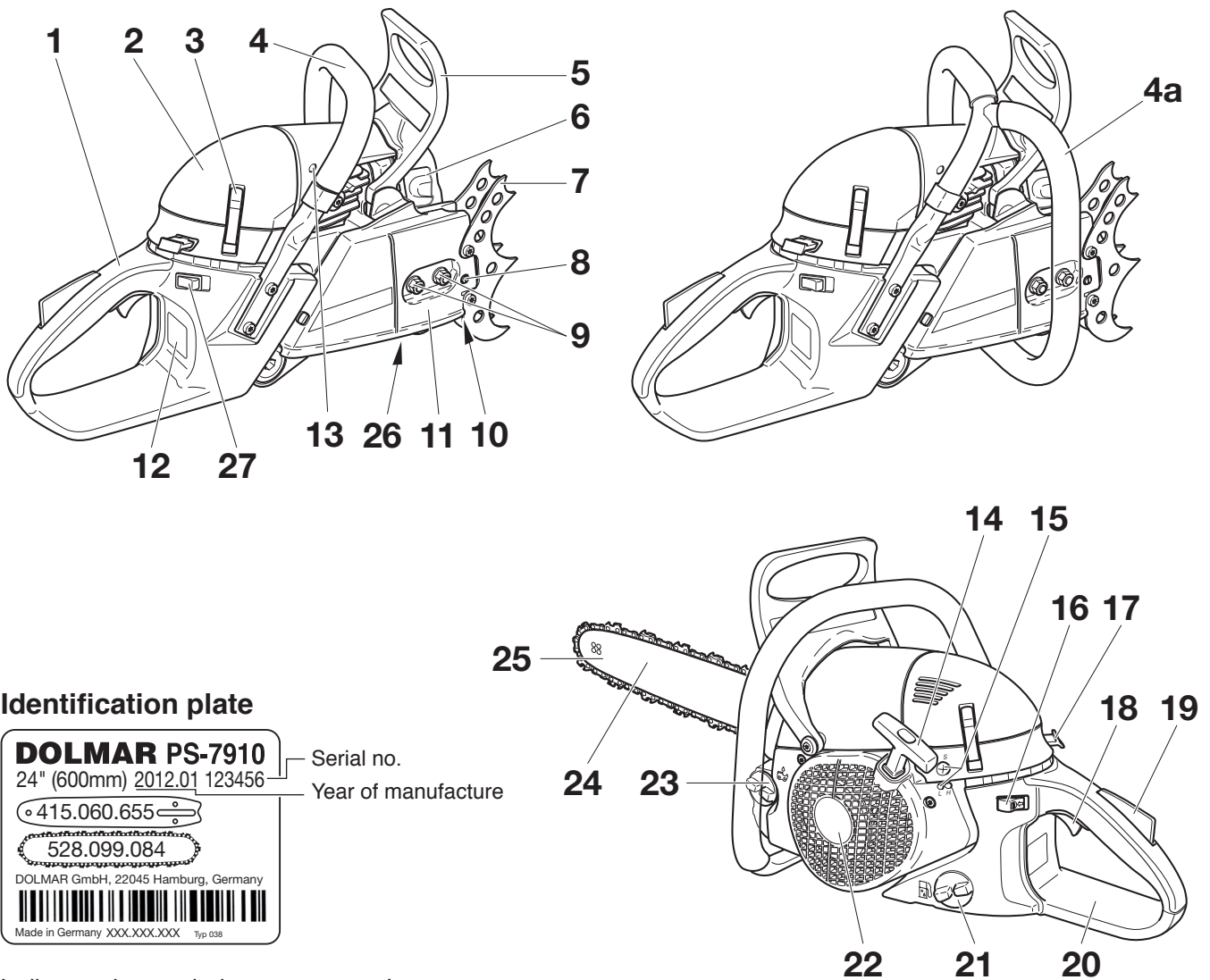
Keep the chain, bar and sprocket clean and lubricated; replace worn sprockets or chains.

Keep the chain sharp. You can spot a dull chain when easy-to-cut wood becomes hard to cut and burn marks appear on the wood.

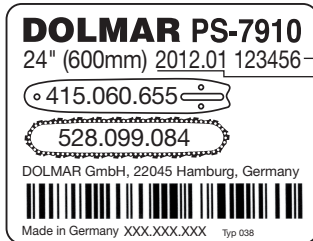
Keep the chain at proper tension. Tighten all nuts, bolts and screws except the carburetor adjustment screws after each use.

Keep spark plug and wire connection tight and clean.

Store saws in a high or locked place, away from children.



Identification plate



Serial no.
Year of manufacture

Indicate when ordering spare parts!

- 1 Handle
- 2 Filter cover
- 3 Filter hood clip
- 4 Tubular handle (4a model with wrap around handle)
- 5 Hand guard (release for chain brake)
- 6 Muffler with spark arrester screen
- 7 Spike bar (toothed stop for holding saw steady against wood)
- 8 Chain tensioning screw
- 9 Retaining nuts
- 10 Chain catch
- 11 Sprocket guard
- 12 Identification plate
- 13 Decompression valve
- 14 Starter grip
- 15 Adjusting screws "S-L-H" for carburetor
- 16 I/STOP-switch
- 17 Choke lever
- 18 Throttle lever
- 19 Throttle stopper
- 20 Hand guard
- 21 Fuel tank cap
- 22 Fan housing with starting assembly
- 23 Oil tank cap
- 24 Guide bar
- 25 Chain
- 26 Adjusting screw for oil pump (bottom side)
- 27 Switch for Handle heating (only on "H" model saws)

Technical data

		PS-7310	PS-7910
Stroke volume	cu. in (cm ³)	4.4 (72.6)	4.8 (78.5)
Bore	inch (mm)	1.97 (50)	2.04 (52)
Stroke	inch (mm)	1.45 (37)	1.45 (37)
Max. power at speed	hp / rpm	5.4 / 10,000	5.7 / 10,000
Max. torque at speed	Nm / rpm	4.5 / 7,000	4.7 / 7,000
Limit speed with guide bar and chain	rpm	12,800	12,800
Idling speed	rpm	2,500	2,500
Coupling speed	rpm	3,200	3,200
Sound Pressure Level at the operator's ear at full load according to ANSI B 175.1	db(A)	101.4	101.4
Sound Pressure Level at the bystander's position (50 ft/15 m distance) according to ANSI B 175.1	db(A)	78.7	78.7
Carburetor (diaphragm carburetor)	Type	ZAMA with limiter caps	
Ignition system	Type	electronic	
Spark plug	Type	NGK BPMR 7A	
Electrode gap	inch (mm)	.020 (0.5)	
or spark plug	Type	BOSCH WSR-6F	
Fuel consumption at max. load per ISO 7293	kg/h	1.9	2.0
Specific consumption at max. load per ISO 7293	g/kWh	460	460
Fuel tank capacity	floz	25.36	
Chain oil tank capacity	floz	14.20	
Mixture ratio (fuel/two-stroke oil)			
- when using DOLMAR High Performance oil		50:1	
- when using other synthetic oils (oil quality must be JASO FC or ISO-L-EGD)		50:1	
Chain brake		engages manually or in case of kickback	
Sprocket pitch	inch	3/8	
Number of teeth	Z	7	
Chain type (see the Extract from the spare-parts list)		099	
Pitch / Driving element strength	inch	3/8 / .058	
Guide bar, length of a cut	inch	15 / 18 / 20 / 24 / 28	
Guide-bar type (see the Extract from the spare-parts list)			
Weight (fuel tank empty, without chain and guide bar)	lbs	14.7 / 15.2 ¹⁾ / 15.6 ²⁾	14.7 / 15.2 ¹⁾ / 15.6 ²⁾

¹⁾ With handle heating.

²⁾ With handle heating and wrap around handle.

WARNING:

This chain saw is capable of severe kickback that could result in serious injury to the user. Do not operate this chain saw unless you have extraordinary cutting needs and experience and specialized training for dealing with kickback. Chain saws with significantly reduced kickback potential are available.

PUTTING INTO OPERATION



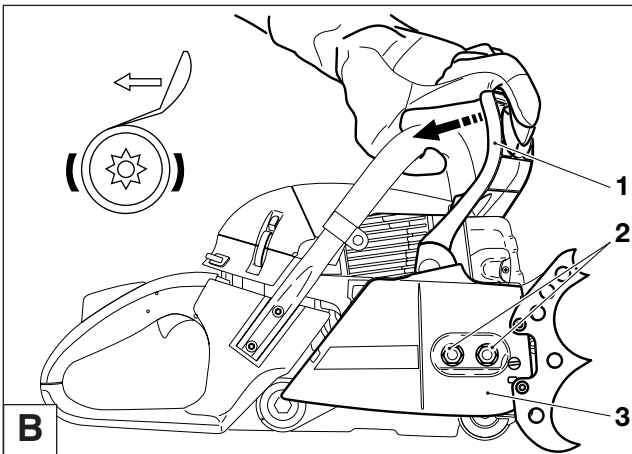
CAUTION:

Before doing any work on the guide bar or chain, always switch off the engine and pull the plug cap off the spark plug (see "Replacing the spark plug"). Always wear protective gloves!

CAUTION:

Start the chain saw only after having assembled it completely and inspected.

A



Mounting the guide bar and saw chain

Use the universal wrench delivered with the chain saw for the following work.

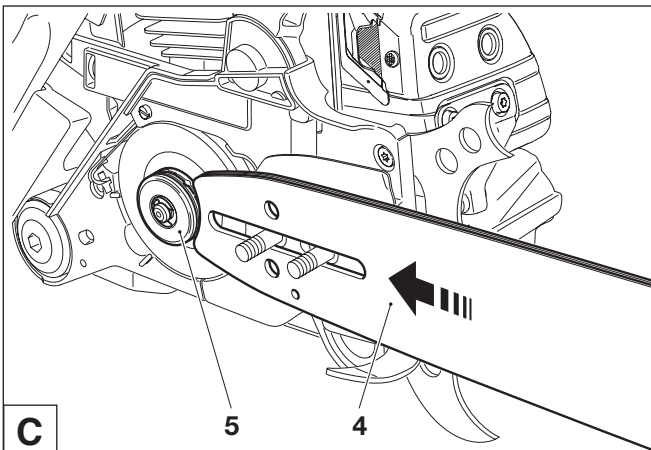
Put the chain saw on a stable surface and carry out the following steps for mounting the guide bar and saw chain:

Release the chain brake by pulling the hand guard (1) in direction of arrow.

Unscrew retaining nuts (2).

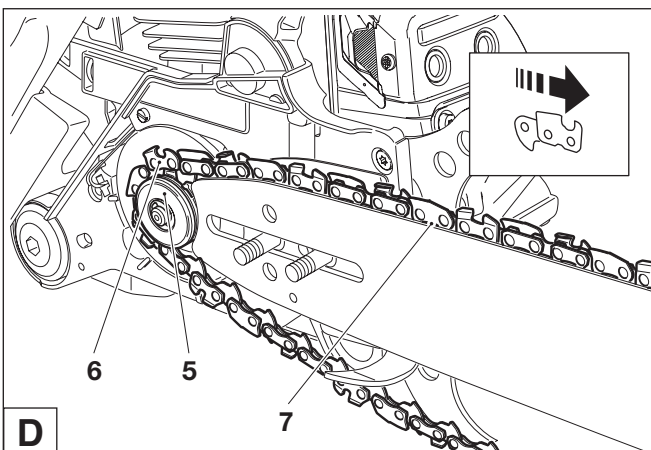
Pull off the sprocket guard (3).

B



Position the guide bar (4) and push against the sprocket (5) as shown by the arrow.

C



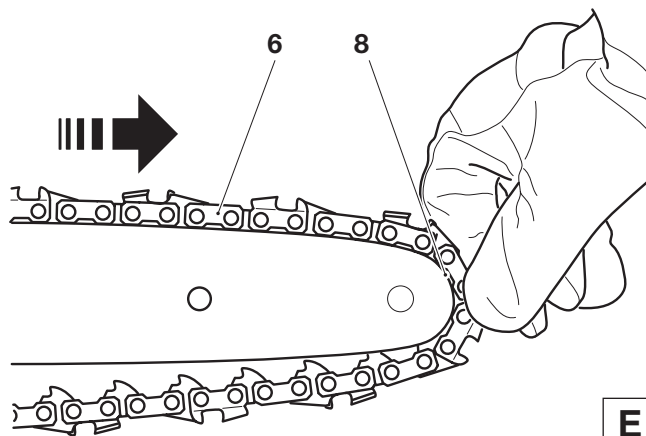
Lift the chain (6) over the sprocket (5). Using your right hand, guide the chain into the top guide groove on the guide bar (7).

CAUTION:

Note that the cutting edges along the top of the chain must point in the direction of the arrow!

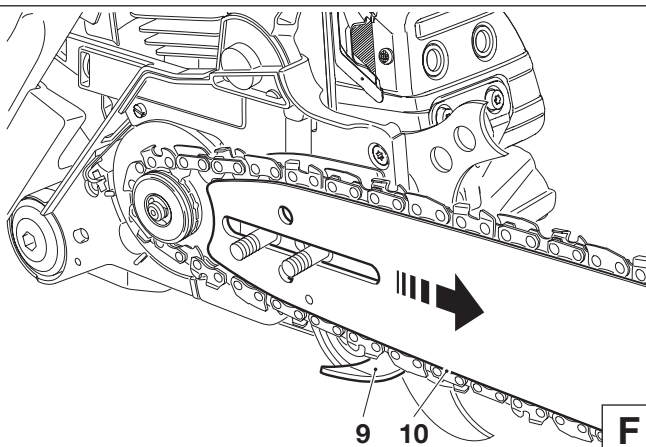
D

Pull the chain (6) around the sprocket nose (8) of the guide bar in the direction of the arrow.

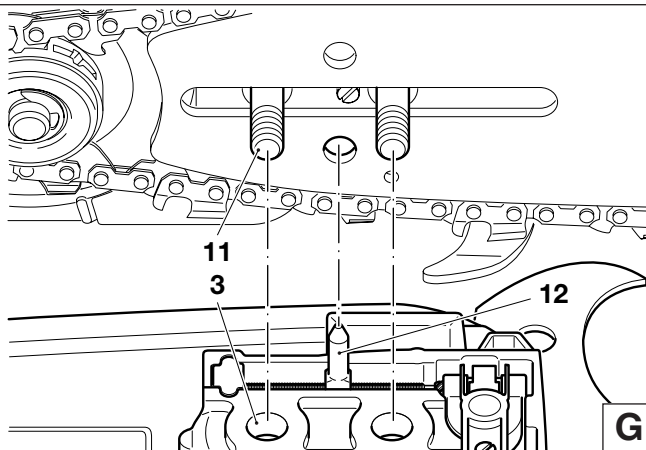


Guide the chain over the chain catch (9).

Pull the guide bar as shown by the arrow to take the slack out of the chain, so that it comes up to the bottom edge of the guide bar (10).



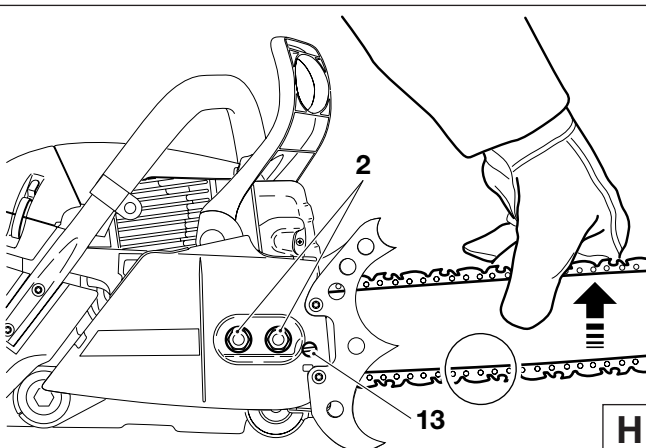
Line up the holes in the sprocket guard (3) with the bolts (11).
Turn the chain tensioning screw (H/13) until the chain tensioning bolt (12) is aligned with the hole in the guide bar.
Replace the sprocket guard.
Manually tighten the retaining nuts (H/2).

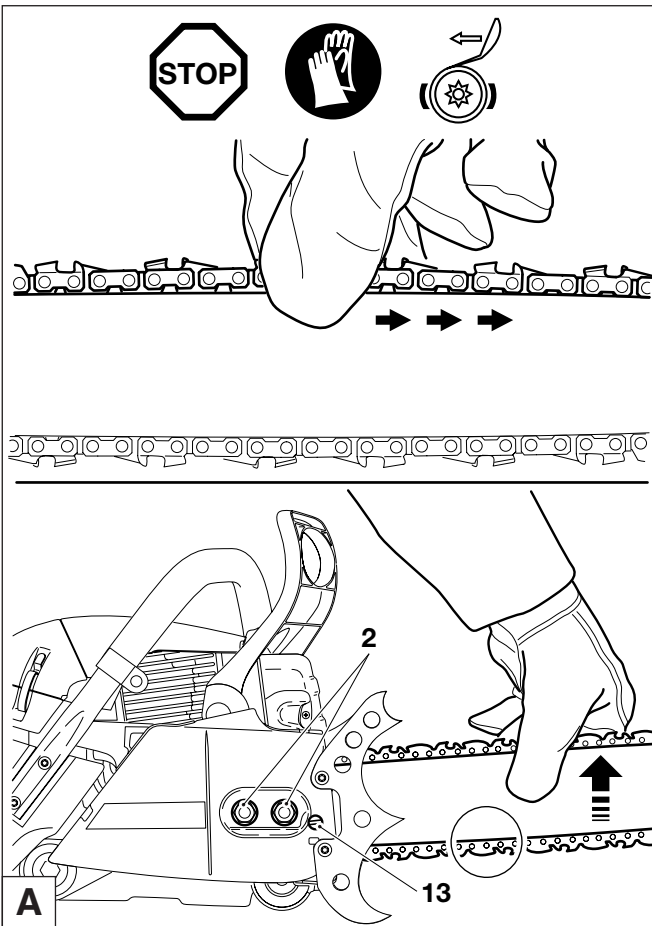


Tightening the saw chain

Slightly lift the end of the guide bar and turn the chain adjusting screw (13) to the right (clockwise) until the chain rests against the bottom side of the guide bar.

While still holding up the tip of the guide bar, tighten the retaining nuts (2) with the universal wrench.





Checking the chain tension

The tension of the chain is correct if the chain rests against the bottom side of the guide bar and can still be easily turned by hand.

While doing so the chain brake must be released.

Check the chain tension frequently - new chains tend to get longer during use!

When checking the chain tension the engine must be switched off.

NOTE:

It is recommended to use 2-3 chains alternatively.

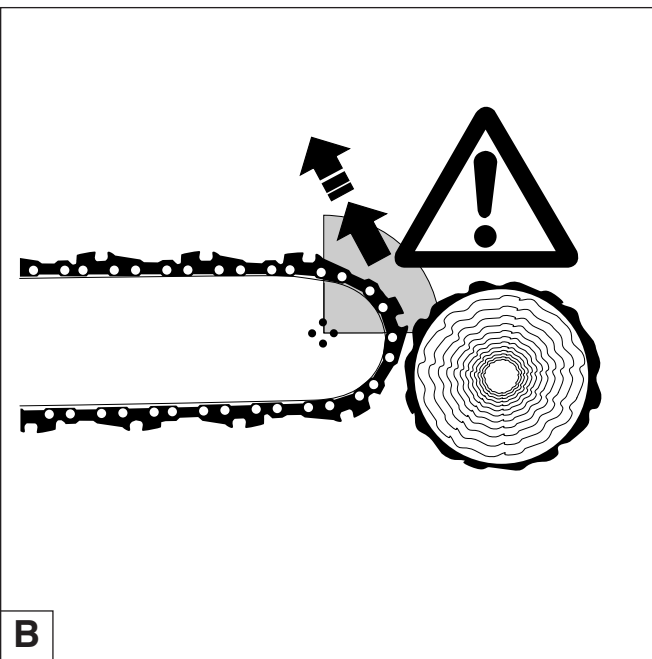
In order to guarantee uniform wear of the guide bar the bar should be turned over whenever replacing the chain.

Retightening the saw chain

Loosen the nuts (2) about one turn with the universal wrench.

Raise the tip of the guide bar a little and turn the chain tensioning screw (13) to the right (clockwise) until the saw chain is again up against the bottom edge of the guide bar (see circle).

While keeping the tip of the guide bar raised, tighten the nuts (2) again with the universal wrench.



Chain brake

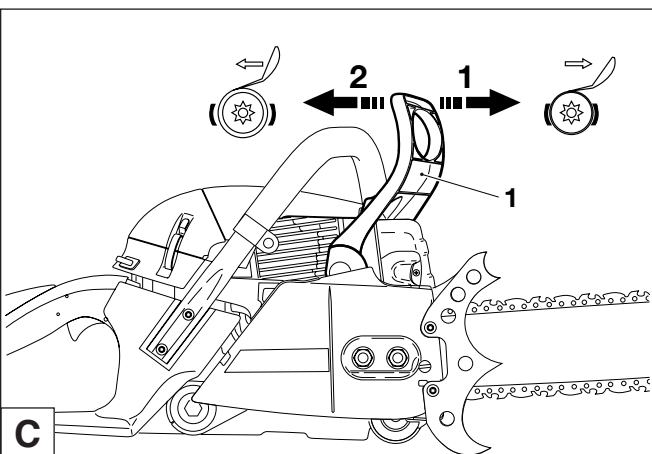
The PS-7310 and PS-7910 comes with an inertia chain brake as standard equipment. If kickback occurs due to contact of the guide-bar tip with wood (see SAFETY PRECAUTIONS, page 10, 11), the chain brake will stop the chain through inertia if the kickback is sufficiently strong.

The chain will stop within a fraction of a second.

The chain brake is installed to block the saw chain before starting it and to stop it immediately in case of an emergency.

IMPORTANT: NEVER run the saw with the chain brake activated (except for testing, see "Testing chain brake")! Doing so can very quickly cause extensive engine damage!

ALWAYS release the chain brake before starting the work!



Engaging the chain brake (braking)

If the kickback is strong enough the sudden acceleration of the guide bar combined with the inertia of the hand guard (1) will **automatically** actuate the chain brake.

To engage the chain brake **manually**, simply push the hand guard (1) forward (towards the tip of the saw) with your left hand (arrow 1).

Releasing the chain brake

Pull the hand guard (1) towards you (arrow 2) until you feel it catch. The brake is now released.

Fuel

CAUTION:

This saw is powered by petroleum products (gasoline (petrol) and oil).

Be especially careful when handling gasoline (petrol).

Do not smoke. Keep tool well away from open flames, spark, or fire (explosion hazard).

Fuel mixture

This tool is powered by a high-performance air-cooled two-stroke engine. It runs on a mixture of gasoline and two-stroke engine oil.

The engine is designed for unleaded regular gasoline with a min. octane value of 91 (R+M)/2. In case no such fuel is available, you can use fuel with a higher octane value. This will not affect the engine.

In order to obtain an optimum engine output and to protect your health and the environment use unleaded fuel only.

To lubricate the engine, use a synthetic oil for two-stroke air-cooled engines (quality grade: JASO FC or ISO-L-EGD), which has to be added to the fuel. The engine has been designed for use of DOLMAR High Performance two-stroke engine oil and a mixture ratio of ONLY 50:1 to protect the environment. In addition, a long service life and reliable operation with a minimum emission of exhaust gases are ensured. DOLMAR High Performance two-stroke engine oil is available in the following sizes:

2.6 oz order number 986 100 100

6.4 oz order number 986 100 101

In case DOLMAR High Performance two-stroke engine oil is not available, it is recommended to use a mixture ratio of 50:1 with other synthetic two-stroke engine oils, as otherwise optimum operation of the engine cannot be guaranteed.

The correct mixture ratio:

50:1 when using DOLMAR High Performance two-stroke engine oil, i. e. mix 50 parts gasoline with 1 part oil.


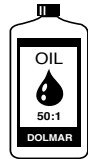
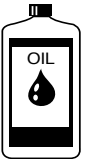
50:1 when using other synthetic two-stroke engine oils (quality grade JASO FC or ISO-L-EGD), i. e. mix 50 parts gasoline with 1 part oil.

NOTE:

For preparing the fuel-oil mixture first mix the entire oil quantity with half of the fuel required, then add the remaining fuel. Thoroughly shake the mixture before filling it into the chain saw tank.

It is not wise to add more engine oil than specified to ensure safe operation. This will only result in a higher production of



Gasoline	50:1 DOLMAR oil	50:1 other oil
		
1.0 Us-gal. (3.7 l)	2.6 fl oz. (75 cm ³)	
2.5 Us-gal. (9.4 l)	6.4 fl oz. (189 cm ³)	
5.0 Us-gal. (18.9 l)	12.8 fl oz. (378 cm ³)	

combustion residues which will pollute the environment and clog the exhaust channel in the cylinder as well as the muffler. In addition, fuel consumption will rise and performance will decrease.

The Storage of Fuel

Fuels have a limited storage life. Fuel and fuel mixtures age through evaporation, especially at high temperatures. Aged fuel and fuel mixtures can cause starting problems and damage the engine. Purchase only that amount of fuel, which will be consumed over the next few months. At high temperatures, once fuel has been mixed it should be used up in 6-8 weeks.

Use only approved and marked containers for transport and storage. Store fuel only in dry, cool and secure locations!

AVOID SKIN AND EYE CONTACT

Mineral oil products degrease your skin. If your skin comes in contact with these substances repeatedly and for an extended period of time, it will desiccate. Various skin diseases may result. In addition, allergic reactions are known to occur.

Eyes can be irritated by contact with oil. If oil comes into your eyes, immediately wash them with clear water.

If your eyes are still irritated, see a doctor immediately!

D

Chain oil



Use an oil with adhesive additive for lubricating the chain and guide bar. The adhesive additive prevents the oil from being flung off the chain too quickly.

We recommend the use of chain oil which is bio-degradable in order to protect the environment. The use of bio-degradable oil may even be required by local regulations.

The chain oil BIOTOP sold by DOLMAR is made of special vegetable oils and is 100% bio-degradable. BIOTOP has been granted the "blue angel" (Blauer Umweltschutz-Engel) for being particularly environment-friendly (RAL UZ 48).



BIOTOP chain oil is available in the following sizes:

1 l order number 980 008 210

5 l order number 980 008 211

20 l order number 980 008 213

Bio-degradable oil is stable only for a limited period of time. It should be used within 2 years from the date of manufacture (printed on the container).

E

Important note on bio-degradable chain oils

If you are not planning to use the saw again for an extended period of time, empty the oil tank and put in a small amount of regular **engine oil** (SAE 30), and then run the saw for a time. This is necessary to flush out all remaining bio-degradable oil from the oil tank, oil-feed system, chain and guide bar, as many such oils tend to leave sticky residues over time, which can cause dam-

age to the oil pump or other parts.

The next time you use the saw, fill the tank with BIOTOP chain oil again. In case of damage caused by using waste oil or inappropriate chain oil the product guarantee will be null and void.

Your salesman will inform you about the use of chain oil.



NEVER USE WASTE OIL

Waste oil is very dangerous for the environment.

Waste oil contains high amounts of carcinogenic substances. Residues in waste oil result in a high degree of wear and tear at the oil pump and the sawing device.

In case of damage caused by using waste oil or inappropriate chain oil the product guarantee will be null and void.

Your salesman will inform you about the use of chain oil.

AVOID SKIN AND EYE CONTACT

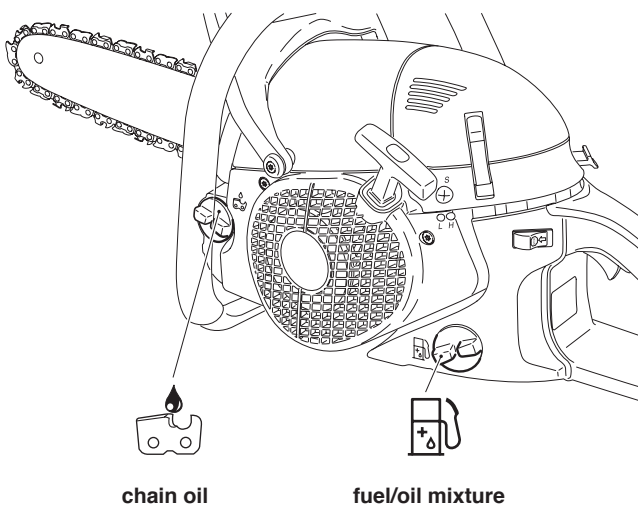
Mineral oil products degrease your skin. If your skin comes in contact with these substances repeatedly and for an extended period of time, it will desiccate. Various skin diseases may result. In addition, allergic reactions are known to occur.

Eyes can be irritated by contact with oil. If oil comes into your eyes, immediately wash them with clear water.

If your eyes are still irritated, see a doctor immediately!

A

Refuelling



FOLLOW THE SAFETY PRECAUTIONS!

Be careful and cautious when handling fuels.

The engine must be switched off! Allow the chain saw to cool off before refuelling!

Thoroughly clean the area around the caps, to prevent dirt from getting into the fuel or oil tank.

Unscrew the cap and fill the tank with fuel (fuel/oil mixture) or chain oil as the case may be. Fill up to the bottom edge of the filler neck. Be careful not to spill fuel or chain oil!

Tightly screw on the cap.

After refuelling, clean screw cap, tank and check for leakages.

Lubricating the chain



During operation there must always be sufficient chain oil in the chain-oil tank to provide good chain lubrication. One filling is sufficient for about one half-hour of continuous operation. While working make sure there is enough chain oil in the tank. If necessary, add oil. **The engine must be switched off!**

B

Checking the chain lubrication

Never work with the chain saw without sufficient chain lubrication. Otherwise the service life of the chain and guide bar will be reduced. Before starting work check the oil level in the tank and the oil feed.

Check the oil feed rate as described below:

Start the chain saw (see „Starting the engine“).

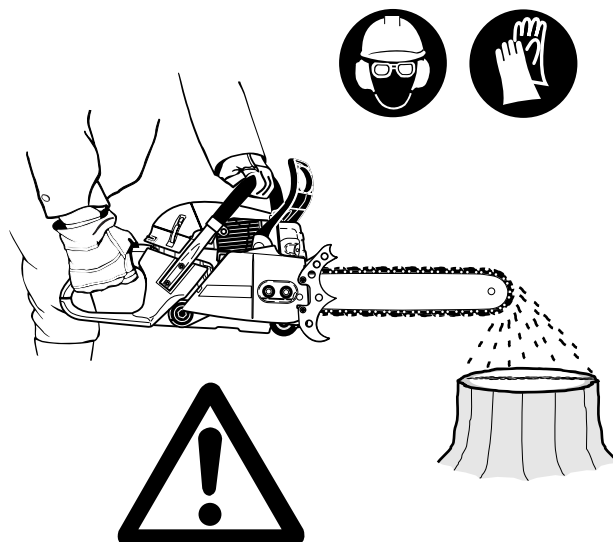
Hold the running chain saw approx. 6" (15 cm) above a trunk or the ground (use an appropriate base).

If the lubrication is sufficient, you will see a light oil trace because oil will be flung off the sawing device. Pay attention to the direction the wind is blowing and avoid unnecessary exposure to the oil spray!

Note:

After the saw has been turned off it is normal for residual chain oil to drip from the oil feed system, the guide bar and the chain for a time. This does not constitute a defect!

Place the saw on a suitable surface.



C

Adjusting the chain lubrication

The engine must be switched off.



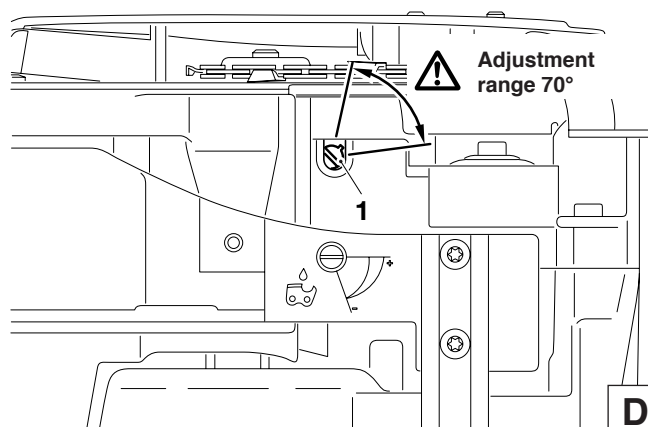
You can adjust the oil pump feed rate with the adjusting screw (1). The adjusting screw is on the bottom side of the housing.

The oil pump comes factory-set to a medium feed rate.

To change the feed quantity use the screwdriver and adjust the adjusting screw in the following way:

- Turn to the right to reduce the feed rate.
- Turn to the left to increase the feed rate.

Even very small adjustments to the adjusting screw (1) can influence the oil flow rate. While working make sure there is enough chain oil in the tank. If necessary, add oil.



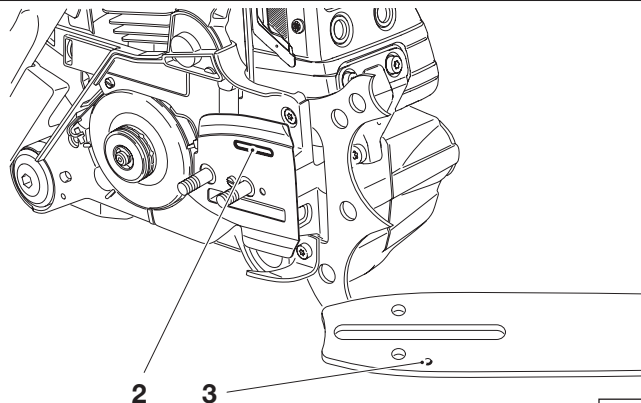
D

To ensure troublefree operation of the oil pump the oil guide groove at the crank case (2) and the oil inlet bore in the guide bar (3) must be cleaned regularly.

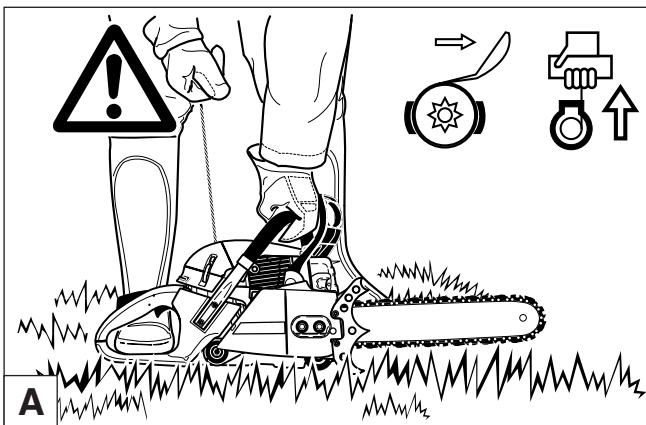
Note:

After the saw has been turned off it is normal for residual chain oil to drip from the oil feed system, the guide bar and the chain for a time. This does not constitute a defect!

Place the saw on a suitable surface.



E



Starting the engine

Start the chain saw only after having assembled it completely and inspected.

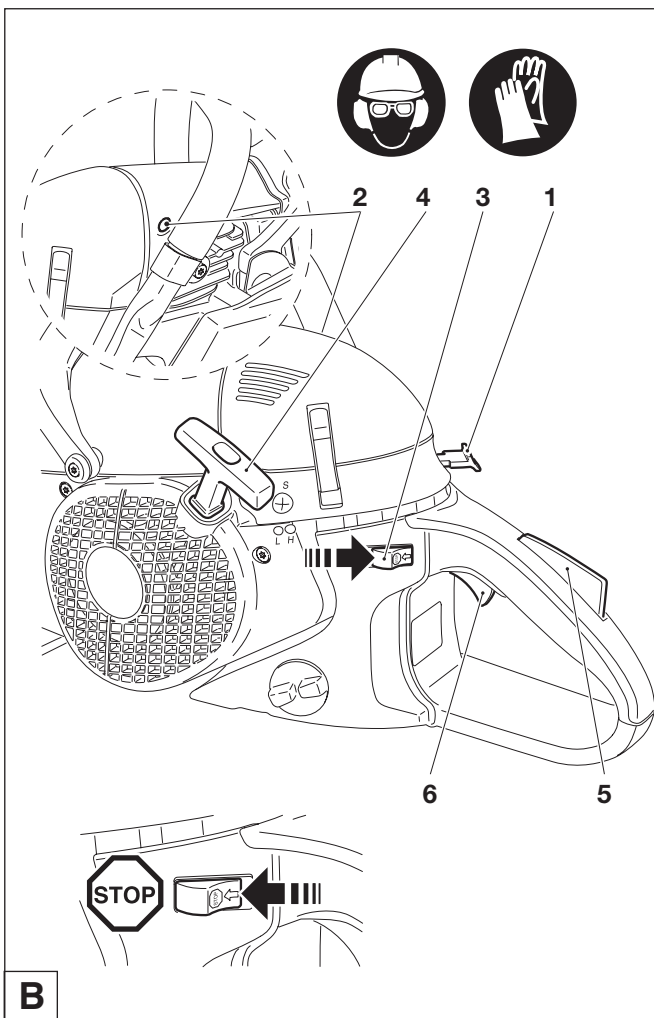
Move at least 10 feet (3m) away from the place where you fuelled the saw.

Make sure you have a good footing, and place the saw on the ground in such a way that the chain is not touching anything.

Engage the chain brake (lock).

Hold the tubular handle tightly with one hand and press the chain saw to the ground.

Steady the rear handle by standing in the hand guard.



Cold-starting:

Pull the choke (1) out until it audibly clicks. This simultaneously actuates the half-throttle lock.

Move the I/STOP ignition switch (3) as shown by the arrow.

Slowly pull out the starter cable until you notice resistance (the piston is positioned before the top dead center).

Push the decompression valve (2).

Now pull the starter cable with a fast and forceful movement until you hear the first ignition.

CAUTION: Do not pull out the starter cable more than approx. 50 cm, and lead it back by hand.

Push the decompression valve (2).

Depress the choke (1) and pull the starter cable again. As soon as the engine is running, grasp the rear handle (this actuates the throttle stopper (5)) and tap the throttle lever (6). This will release the half-throttle lock and the engine will run in idle.

CAUTION: As soon as the engine is started it must be put in idle to prevent the chain brake from being damaged.

Now release the chain brake.

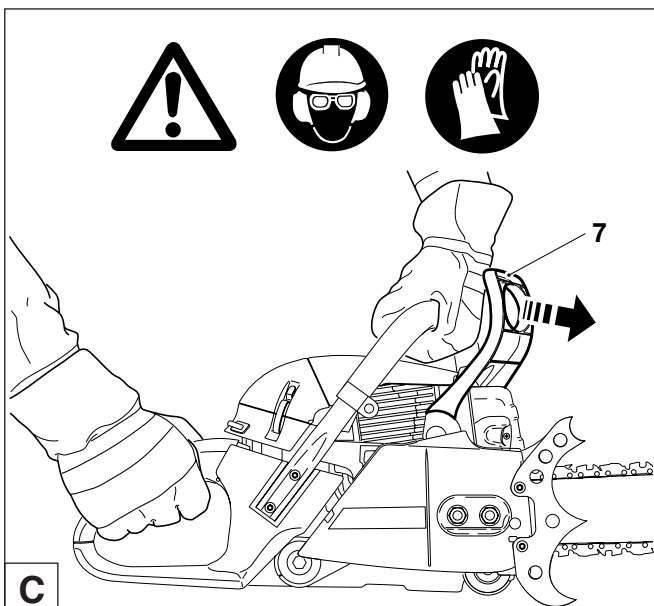


Warm starting:

As described for cold starting, except before starting pull the choke (1) all the way out and back in one time, in order to activate the half-throttle lock.

Stopping the engine

Move the I/STOP ignition switch to the "STOP" position.



Checking the chain brake

Do not work with the chain saw without first checking the chain brake!

Start the engine as described (make sure you have a good footing, and place the chain saw on the ground in such a way that the guide bar is free of contact).

Grasp the tubular handle firmly with one hand and hold the grip with the other.

With the engine running at moderate speed, press the hand guard (7) in the direction of the arrow with the back of your hand until the chain brake engages. The chain should stop immediately.

Immediately release the throttle and release the chain brake.

IMPORTANT: If the chain does not stop immediately when you test the chain brake, do NOT use the chain saw. Take the chain saw to a DOLMAR service center.

Adjusting the carburetor

CAUTION: Carburetor adjustment may only be done by a specialist DOLMAR service center!



DOLMAR



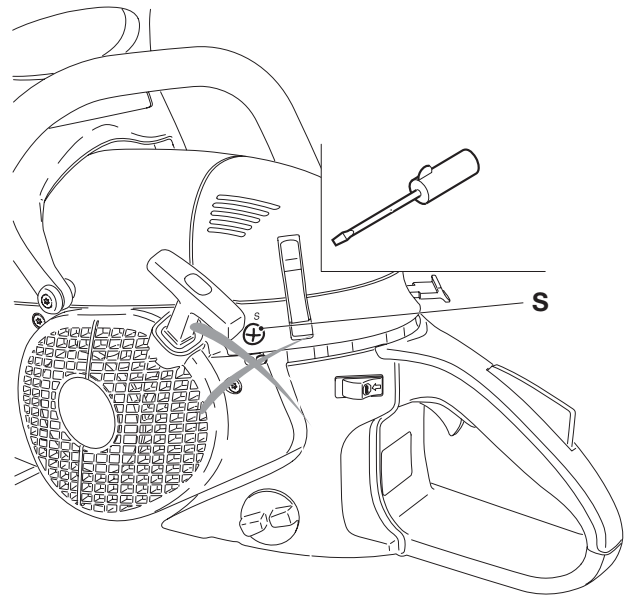
SERVICE

Only adjusting screw (S) can be manipulated by the user. If the saw chain moves in idle (i.e. without the throttle being pressed), it is imperative to correct the idle speed!

Do not adjust the idle speed until after complete assembly and testing of the saw!

Idle speed adjustment must only be undertaken when the engine is warm, with a clean air filter and properly installed guide bar and chain.

Use a screwdriver (5/32" (4 mm) blade) for idle speed adjustments.



Adjusting the idle speed

Turn adjusting screw (S) counter-clockwise (unscrew): Idle speed decreases.

Turn adjusting screw (S) clockwise (screw in): Idle speed increases.

Important: If the saw chain still moves during idle even after you have adjusted the idle speed, do NOT use the saw. Take it to a DOLMAR service center!

D

Working in winter

In order to prevent carburetor icing in conditions of low temperature combined with high humidity, and below + 5°C in order to get up to operating temperature faster, heated air can be taken from the cylinder.


Remove the filter hood (see „Cleaning air filter“)

Remove the insert (10) and insert it as shown in position **B** for cold-weather operation.

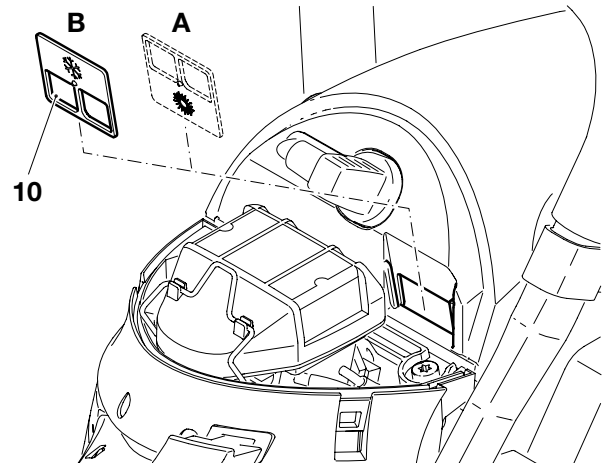
At temperatures above + 5°C the carburetor must **NOT** be fed heated air. **Failure to follow these instructions can lead to damage to the cylinder and piston!**

At temperatures over +5°C place the insert in position **A** for normal operation.

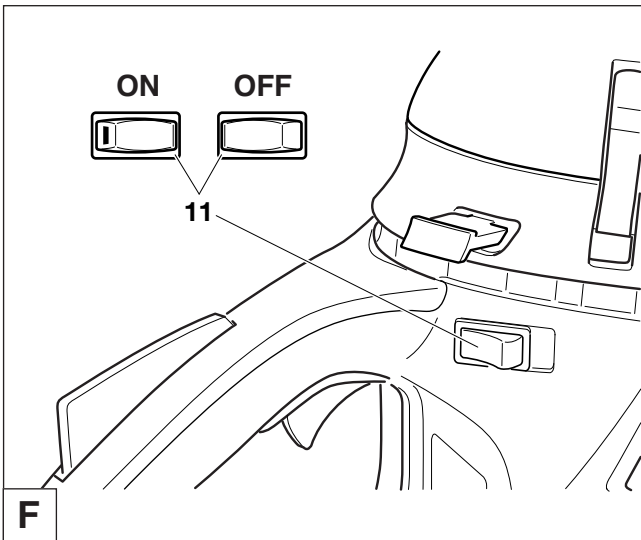
Position **A**  - Normal operation

Position **B**  - Cold-weather operation

Reinstall the filter hood.



E



Handle heating

(only on "H" model saws)

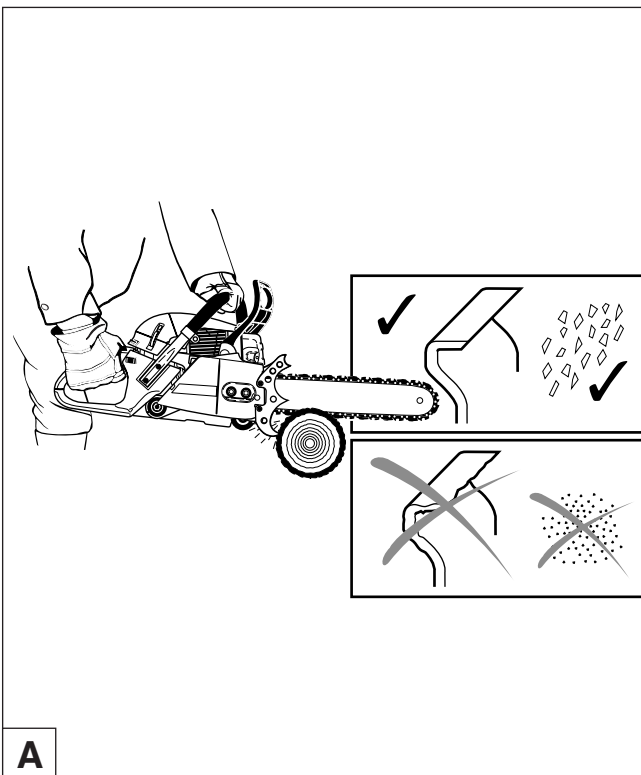


The electrically heated handles are activated by pushing the switch (11).

On: red marking on switch visible

Off: red marking on switch not visible

F



MAINTENANCE

Sharpening the saw chain



CAUTION: Before doing any work on the guide bar or chain, always switch off the engine and pull the plug cap off the spark plug (see "Replacing the spark plug"). Always wear protective gloves!

The chain needs sharpening when:

The sawdust produced when sawing damp wood looks like wood flour.

The chain penetrates the wood only under great pressure.

The cutting edge is visibly damaged.

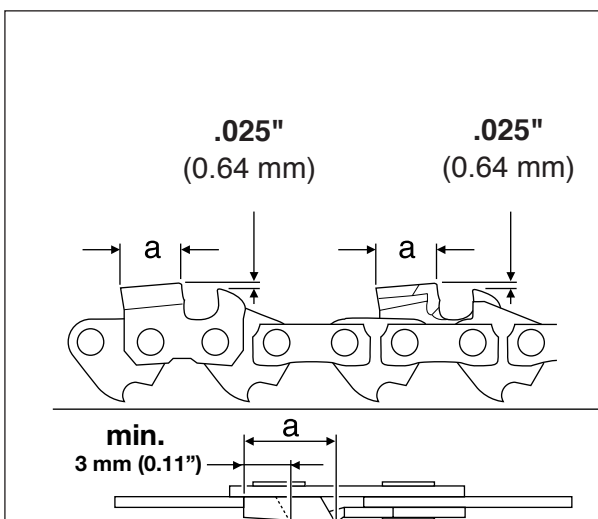
The saw is pulled to the left or right when sawing. This is caused by uneven sharpening of the chain.

Important: Sharpen frequently, but without removing too much metal!

Generally, 2 or 3 strokes of the file will be enough.

Have the chain resharpened at a service center when you have already sharpened it yourself several times.

A



Proper sharpening:

CAUTION: Use only chains and guide bars designed for this saw (see the Extract from the spare-parts list)!

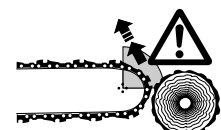
All cutters must be of the same length (dimension a). Cutters with different lengths result in rough running of the chain and can cause cracks in the chain.

The minimum cutter length: 0.11" (3 mm). Do not resharpen the chain when the minimum cutter length has been reached; at this point, the chain must be replaced (see the Extract from the spare-parts list and "Replacing the saw chain").

The depth of the cut is determined by the difference in height between the depth limiter (round nose) and the cutting edge.

The best results are obtained with a depth-limiter depth of .025" (0.64 mm).

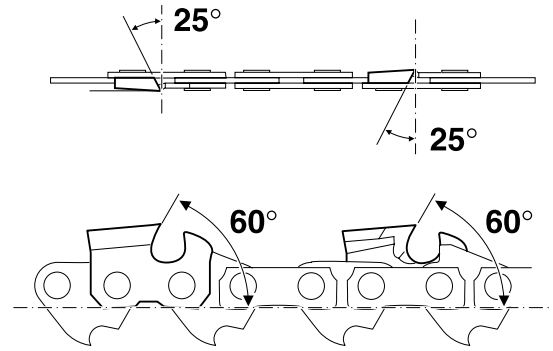
CAUTION: Excessive depth increases the risk of kickback!



B

The sharpening angle of 25° must be identical for all cutters! Different angles result in a roughly, irregularly running chain, increase wear and tear and cause chain beakage.

The front rake 60° of the cutter results from the cut depth of the round file. If the proper file is used in the right manner, the correct front rake will be obtained automatically.



C

Files and how to work with them

Sharpen using a special file holder with a saw chain round file. Normal round files are not appropriate for this work. See "Accessories" for the order number.

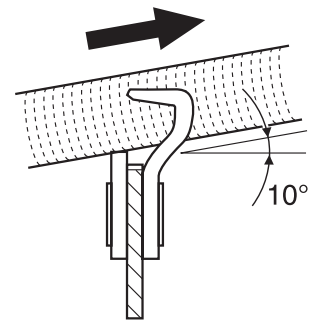
File the first cutter half with a 7/32" (5.5 mm) dia. round saw-chain file, then switch to a 3/16" (4.8 mm) dia. file.

The file should cut only when pushed forwards (arrow). Lift the file when leading it backwards.

First sharpen the shortest cutter. The length of this cutter is then the standard for all other cutters of the chain.

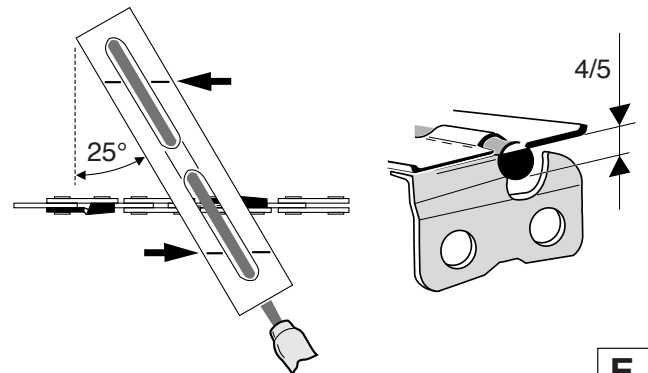
New saw teeth must be filed to the exact same shape as the used teeth, including on their running surfaces.

Always guide the file horizontally (10° to the guide bar).



D

The file holder makes file guidance easier. It is marked for the correct sharpening angle of 25° (keep the marks parallel with the chain when filing, see illustration) and limits the cut depth to the correct 4/5 of the file diameter. See "Accessories" for the order number.

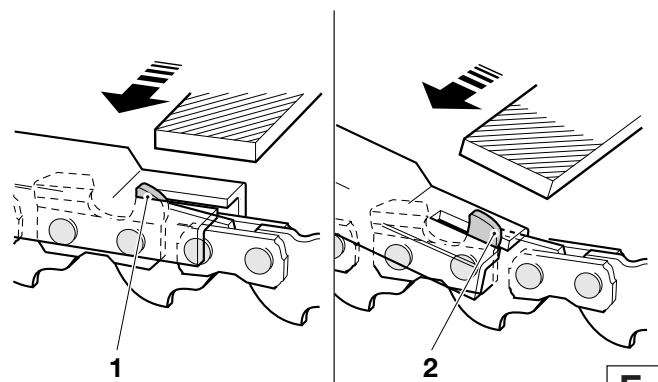


E

After having sharpened the chain, the height of the depth limiter must be checked by means of a chain gauge. See "Accessories" for the order number.

Correct even the smallest excess height with a special flat file (1). See "Accessories" for the order number.

Round off the front of the depth limiter (2).



F



Cleaning the brake band and sprocket interior

CAUTION: Before doing any work on the guide bar or chain, always switch off the engine and pull the plug cap off the spark plug (see "Replacing the spark plug"). Always wear protective gloves!

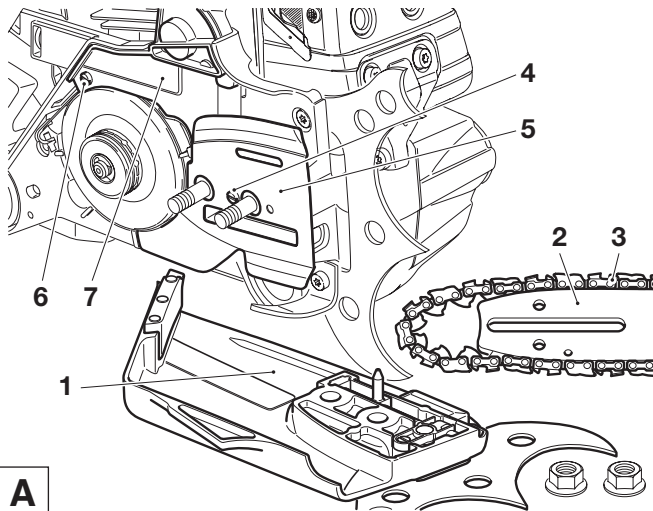
CAUTION: Start the chain saw only after having assembled it completely and inspected.

Remove the sprocket guard (1) (See "PUTTING INTO OPERATION" figs. B) and clean the interior with a brush

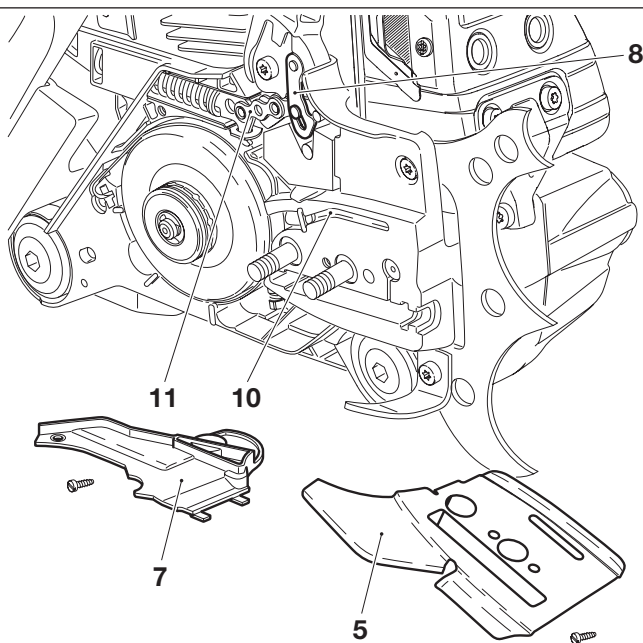
Remove the chain (3) and guide bar (2).

Unscrew screw (4) and remove the guide plate (5).

Unscrew screw (6) and remove the brake mechanism cover (7).



A



Clean the guide plate (5) and brake mechanism cover (7).

Use a brush to clean the interior, especially the brake mechanism (11).

Make sure to leave no residue in the oil guide groove (10)

NOTE:

The brake mechanism cover (7) holds the lever (8) in place. Before putting the cover back on, check the lever for proper positioning.

First put on the brake mechanism cover (7) and then the guide plate (5).

For replacing the guide bar, chain, and sprocket see "PUTTING INTO OPERATION A-H".

After assembly, always check the functioning of the chain brake (see "Checking the chain brake")

NOTE:

The chain brake is a very important safety device and like any other component subject to normal wear and tear.

Regular inspection and maintenance are important for your own safety and must be done by a DOLMAR service center.

DOLMAR

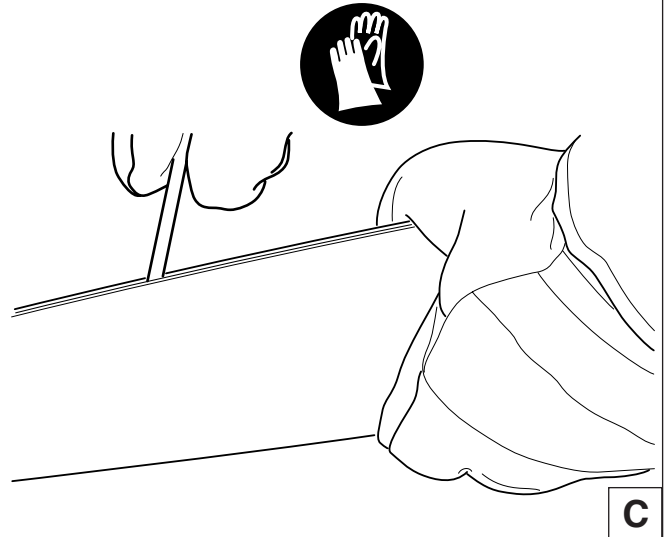
SERVICE

B

Cleaning the guide bar

CAUTION: Protective gloves must be worn.

Regularly inspect the bearing surfaces of the guide bar for damage, and clean them with a suitable tool.



Replacing the saw chain

CAUTION: Use only chains and guide bars designed for this saw (see the Extract from the spare-parts list)!

Check the sprocket before mounting a new chain.

Worn out sprockets (12) may damage the new chain and must therefore be replaced.

Remove the sprocket guard (1) (See „PUTTING INTO OPERATION“ figs. B).

Remove the chain and guide bar.

Remove circlip (13).

CAREFUL: The circlip will jump out of the groove unless you hold it down with your thumb while removing it.

Remove cup-disc (15).

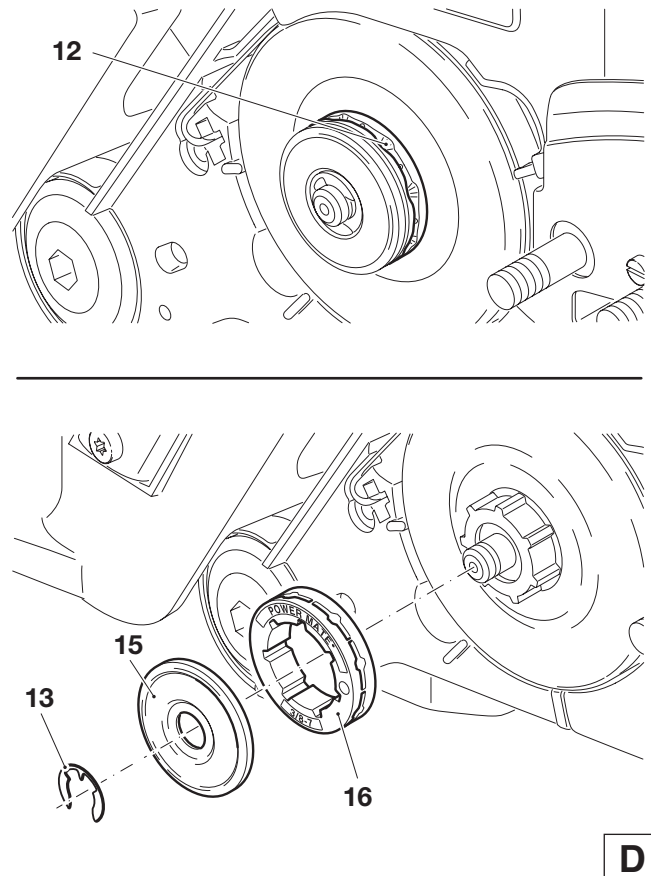
Replace the old sprocket (12) with a new one (16). For the part number consult the “Extract from the spare parts list”.

Assemble the new sprocket, cup-disc and circlip.

For replacing the guide bar, chain, and sprocket see „PUTTING INTO OPERATION A-H”.

NOTE:

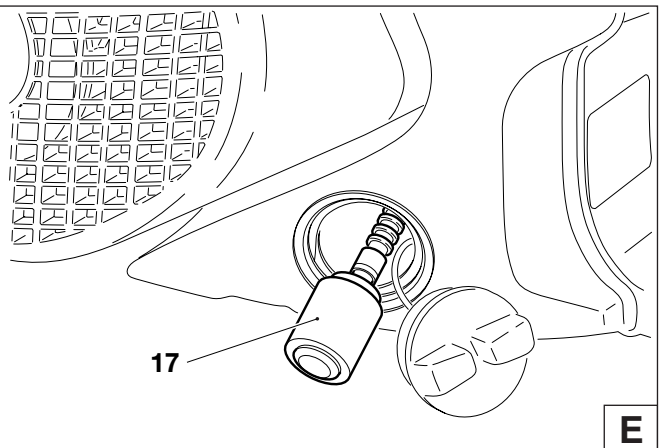
New chains stretch, so check the chain tension frequently (see “Checking the chain tension”).

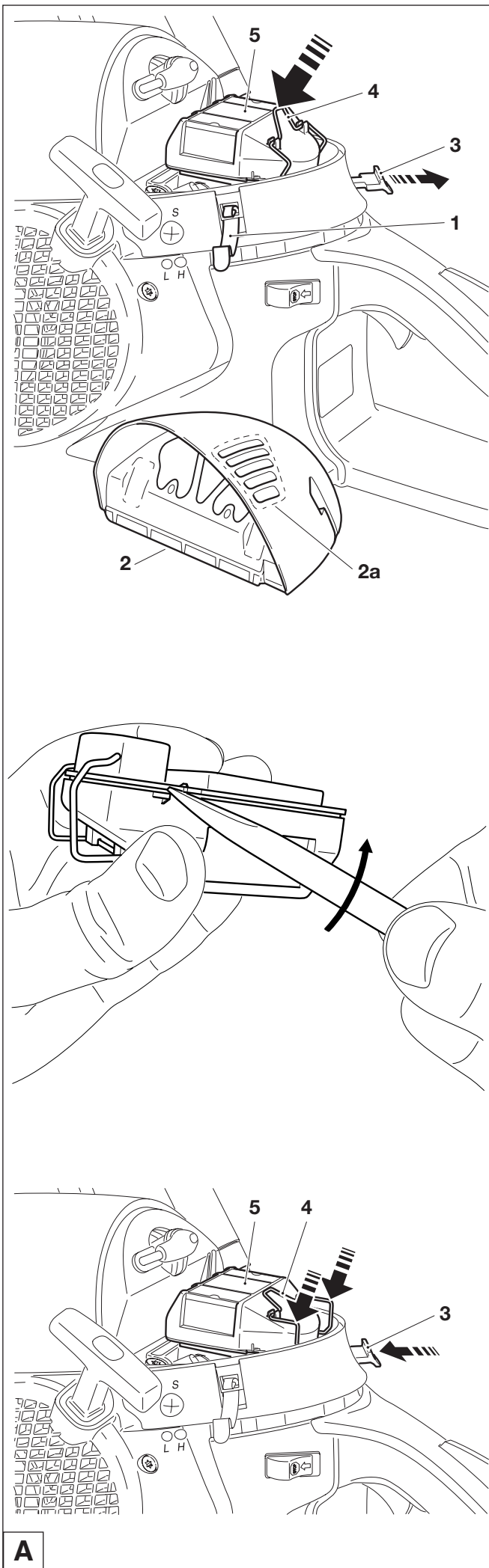


Replacing the fuel filter

The felt filter (17) can become clogged. It is recommended to replace the fuel filter once every three months in order to ensure unimpeded fuel flow to the carburetor.

To remove the fuel filter for replacement, pull it out through the tank filler neck using a piece of wire. Bent wire at one end to form a hook.





Cleaning the air filter



CAUTION: To prevent eye injury, always wear eye protection when cleaning the filter with compressed air!

Do not use fuel to clean the air filter.

Unhook the filter hood clips (1) with the combination tool and remove the filter hood (2).

Pull out the choke (3) to prevent dirt particles from getting into the carburetor.

Unhook the air filter retainer (4) by pressing in the direction shown by the arrow.

Pull the air filter (5) up and out.

IMPORTANT: Cover the intake opening with a clean cloth to prevent dirt particles from getting into the carburetor.

Choosing the right filter: The fleece filter is for use in dry or dusty conditions. The nylon filter is for use in damp conditions.

Pry apart the top and bottom of the air filter as shown in Figure.

Cleaning the fleece filter: Carefully tap out dust or carefully blow out dust from the inside with compressed air. Do not brush the fleece, as this will force dirt particles into the fabric. If the filter is very dirty, it can be washed in lukewarm water with regular dishwashing detergent. Note that the fleece filter does not need to be cleaned until there is a noticeable loss of power. If cleaning the filter does not bring an improvement in performance, it is time to replace it.

Cleaning the nylon filter, the nylon filter in the filter hood and pre-filter: Use a soft brush or blow out dirt from the inside with compressed air. If the filter is very dirty, it can be washed in lukewarm water with regular dishwashing detergent. Clean frequently (several times a day) when working in very dusty or dirty conditions. Full engine power is possible only with a clean air filter!

Note on the pre-filter: The ventilation slots (2a) can be covered by an additional self-adhesive nylon pre-filter. Before putting on this filter, clean the area where it will go. This pre-filter is available as an accessory part.

Let the air filter **dry completely**.

Put the top and bottom sections back together.

Before assembling the air filter, check the choke flap for any dirt particles. If there are any, remove them with a brush.

CAUTION: If the air filter becomes damaged, replace immediately! Pieces of cloth or large dirt particles can destroy the engine!

Put in the air filter (5) and press down the air filter retainer (4) evenly with thumb and forefinger until it clicks.

Push in the choke (3) and push the throttle all the way in to deactivate the half-throttle lock.

Put on the filter hood (2) and hook in the clips (1).

A

Replacing the spark plug



CAUTION:

Do not touch the spark plug or plug cap if the engine is running (high voltage).

Switch off the engine before starting any maintenance work. A hot engine can cause burns. Wear protective gloves!

The spark plug must be replaced in case of damage to the insulator, electrode erosion (burn) or if the electrodes are very dirty or oily.

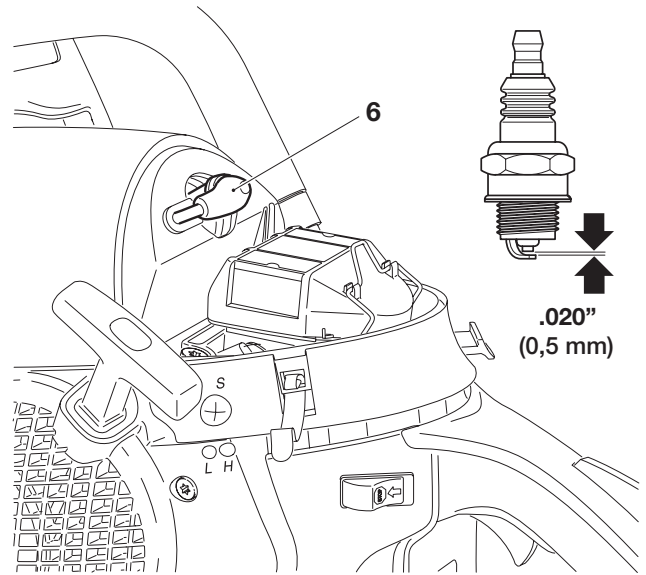
Remove the filter cover (see "Cleaning the air filter").

Pull the plug cap (6) off the spark plug. Use only the combination wrench supplied with the saw to remove the spark plug.

Electrode gap

The electrode gap must be .020" (0.5 mm).

CAUTION: Use only the following spark plugs: NGK BPMP 7A or BOSCH WSR 6F.

**B**

Checking the ignition spark

Stick the combination tool (7) between the hood and cylinder exactly as shown.

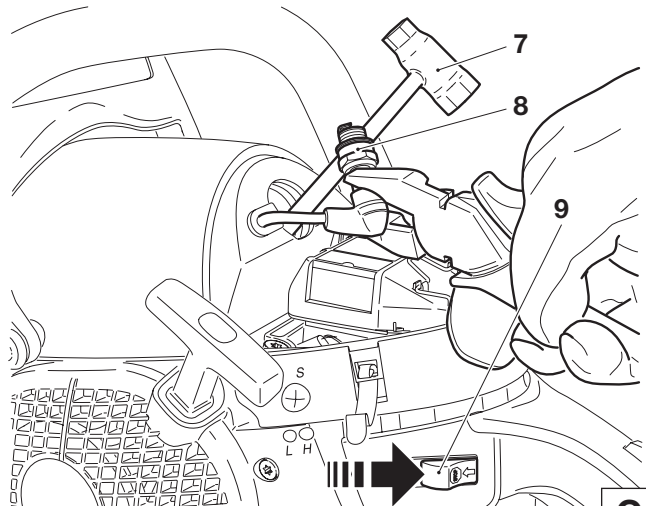
IMPORTANT! Do not stick the tool in the spark plug hole. It should touch only the cylinder (otherwise the engine will be damaged!).

With the spark-plug cap firmly attached to the unscrewed spark plug (8), use insulated pliers to hold the plug against the tool (away from the spark-plug hole!).

Switch the I/STOP ignition switch (9) as shown by the arrow.

Pull the starter cable hard.

If the function is correct, an ignition spark must be visible near the electrodes.

**C**

Checking the muffler screws



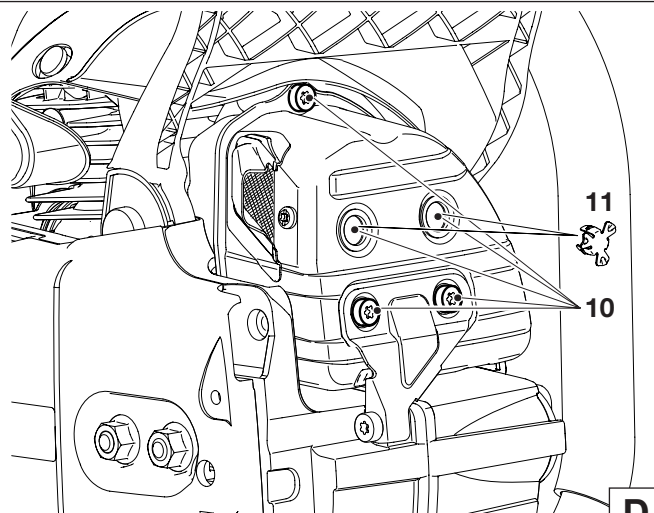
Careful!

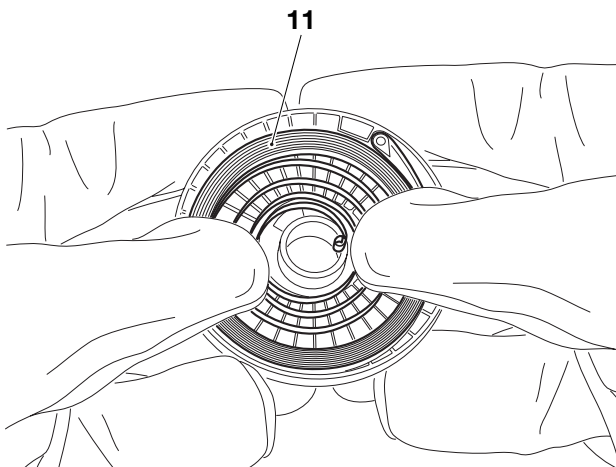
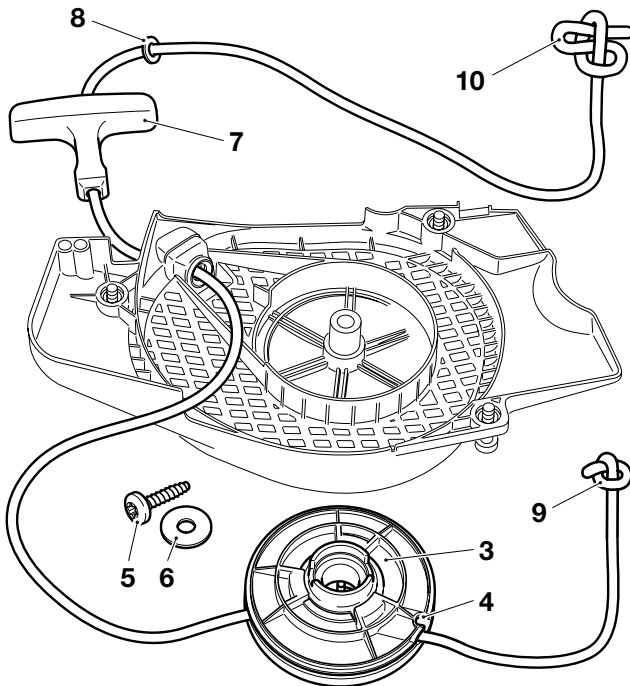
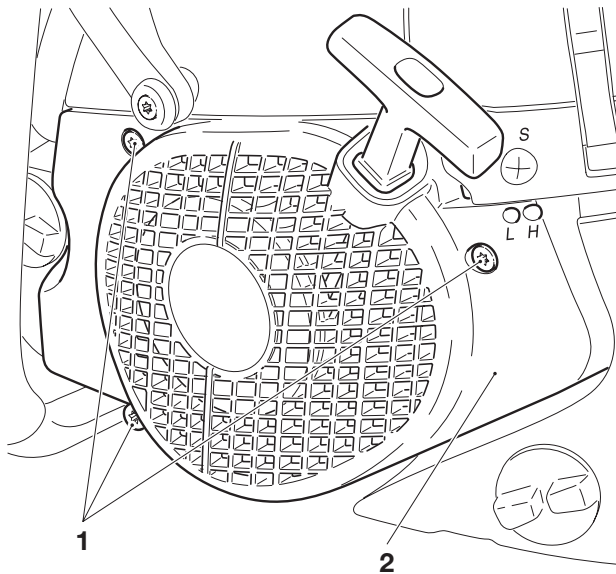
Do not tighten the muffler screws when the engine is hot!

Check the muffler screws (10) for tightness. If they are loose, hand-tighten them. Important - do not overtighten!

First remove the two plugs (11) using a small screwdriver.

Put the plugs back in after checking the screws!

**D**



Replacing the starter cable / Replacing the return spring

Unscrew three screws (1).
Remove fan housing (2).

NOTE: The screws (1) are secured against falling out of the housing.

CAREFUL! Injury hazard! Do not unscrew screw (5) if the return spring is under tension.

If the starter cable is to be replaced although it is not broken, it will be necessary to first de-tension the cable drum return spring (3).

To do this, use the grip to pull the cable all the way out of the fan housing.

Hold the cable drum with one hand, and with the other push the cable into the space (4).

Carefully let the drum turn until the return spring is no longer under tension.

Unscrew screw (5) and remove washer (6). **Carefully** remove the cable drum.

CAREFUL! Injury hazard! The return spring can pop out!

Remove any cable pieces.

Thread a new cable (dia. 1/8" (3 mm), length 38.6" (980 mm) as shown in the illustration (don't forget the washer (8) and knot both ends as shown).

Pull knot (9) into the cable drum (3).

Pull knot (10) into the starter grip (7).

Put the drum on its spindle and turn it slightly until the return spring engages.

Screw in and tighten screw (5) and washer (6).

Guide the cable into the space (4) on the drum and use the cable to turn the drum two turns clockwise.

Hold the cable drum with your left hand and with your right hand untwist the cable, pull it tight and hold it.

Carefully release the cable drum. The spring will wind the cable around the drum.

Repeat three or four times. The starter grip should now be held upright on the fan housing.

NOTE: With the cable pulled all the way out, it must still be possible to turn the pulley another 1/4 turn against the return spring.

CAUTION: Danger of injury! Secure the cable grip when pulled out! It will whip back if the cable pulley is released by accident.

Replacing the return spring

Disassemble the fan housing and cable drum (see above).

CAUTION: Danger of injury! If the spring is broken it may pop out!

Replacement return springs are supplied pretensioned in the cable drum. **CAUTION – the spring can pop out.** If it does, it can be put back in as shown in the drawing.

Before installation in the fan housing, lightly grease the new return spring (11) with multipurpose grease (order no. 944 360 000).

Install the cable drum and fan housing (see above).

Mounting the fan housing

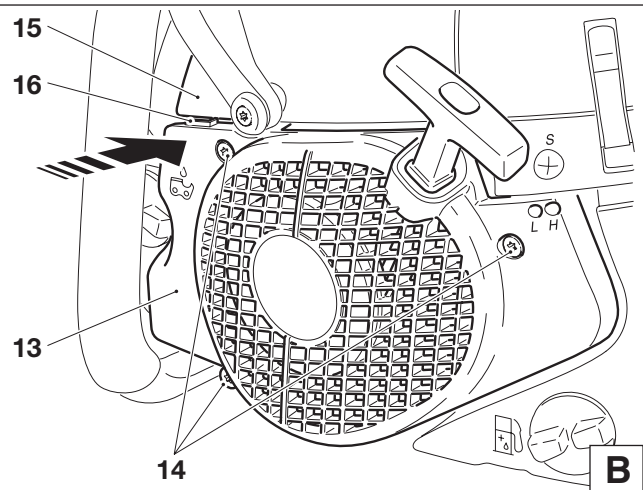
Put the fan housing (13) on.

Press the screws (14) into their holes.

Lift the engine hood (15) slightly and use your thumb to hook in the tab (16) on the fan housing.

Straighten out the fan housing, push lightly against the saw and pull the starter grip until the starting mechanism catches.

Tighten screws (14).



Cleaning the cylinder area



Remove the filter hood and air filter.

Remove the spark plug cap and unscrew the spark plug.

Press in the decompression valve and activate the chain brake.

Push the cable cutout and ignition cable out sideways.

Unscrew the two rearmost screws on the cover.

Unscrew the screws on the handguard pivot and remove the bushing.

Lift the cover out of the air intake guide and remove.

IMPORTANT: Put the air filter back on and fasten it. Insert the spark plug and hand-tighten.

Put the spark plug cap on the plug and pull out the decompression valve.

Remove the fan housing and remove the air guide.

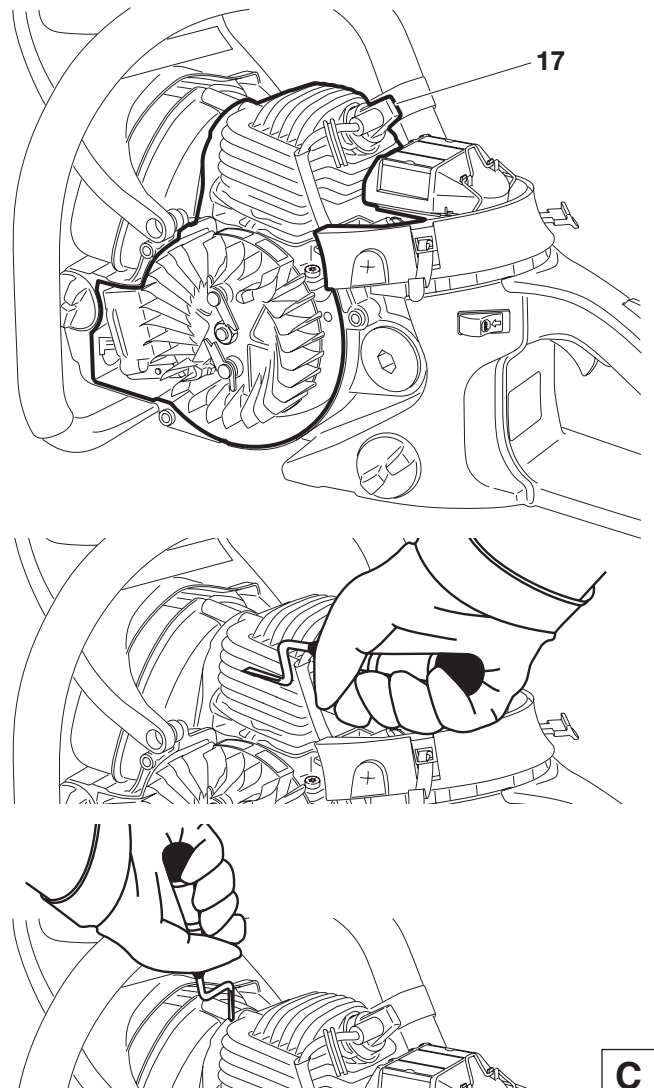
CAUTION: To prevent eye injury, always wear eye protection when cleaning the filter with compressed air!

The entire area (17) can now be brushed clean or cleaned with compressed air.

A bottle brush can come in handy for cleaning out the cylinder ribs.

With the cylinder fin cleaner, clean out the area between the cylinder fins and between the cylinder and the mounting plate.

Do not use force. Be careful not to damage the short-circuit wire and the ignition wire.



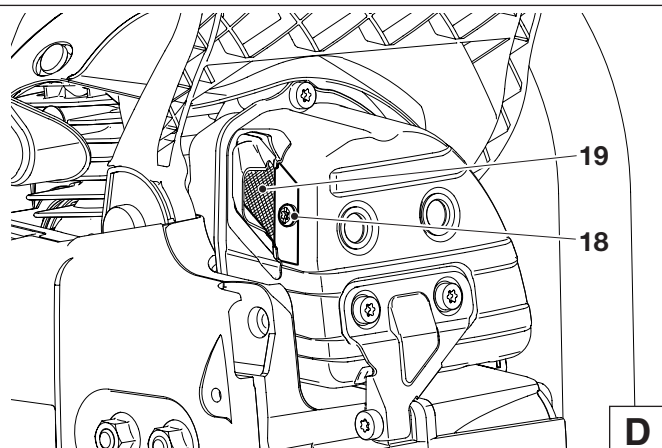
Replacing/cleaning the spark arrester screen

The spark arrester screen should be checked and cleaned regularly. **Let cool the engine down for sure!**

Loosen the screw (18) and remove the spark arrester screen (19).

Caution: Do not use sharp or pointed objects for screen cleaning. Damaged or misformed screen wires may result.

Reassembly the spark arrester screen and tighten the screw.



Instructions for periodic maintenance

To ensure long life, prevent damage and ensure the full functioning of the safety features the following maintenance must be performed regularly. Guarantee claims can be recognized only if this work is performed regularly and properly. Failure to perform the prescribed maintenance work can lead to accidents!

The user of the chain saw must not perform maintenance work which is not described in the operator's manual. All such work must be carried out by a DOLMAR service center.

			Page
General	Chain saw	Clean exterior, check for damage. In case of damage, have repaired by a qualified service center immediately	
	Saw chain	Sharpen regularly, replace in good time	27-28
	Chain brake	Have inspected regularly at an authorized service center	
	Guide bar	Turn over to ensure even wear of bearing surfaces Replace in good time	21, 30
	Starter cable	Check for damage. Replace if damaged.	33
Before each start	Saw chain	Inspect for damage and sharpness Check chain tension	27-28 21
	Guide bar	Check for damage	
	Chain lubrication	Functional check	24
	Chain brake	Functional check	25
	OFF switch, Safety locking button, Throttle lever	Functional check	25
	Fuel/oil tank cap	Check for tightness and leakages	23
	Every day	Air filter and filter hood	Clean (more often if necessary)
Guide bar		Check for damage, clean oil intake bore	30
Guide bar support		Clean, in particular the oil guide groove	24, 29
Idle speed		Check (chain must not run)	26
Every week	Fan housing	Clean to maintain good cooling air flow.	17, 34
	Cylinder area	Clean to maintain good cooling air flow.	34
	Spark plug	Check and replace if necessary	32
	Muffler	Check tightness of mounting, clean spark arrester screen	32, 34
	Chain guide	Check	20
	Screws and nuts	Check their condition and that they are firmly secured	
Every 3 months	Fuel filter	Replace	30
	Fuel, oil tanks	Clean	
Annually	Chain saw	Check at an authorized service center	
Storage	Chain saw	Clean exterior, check for damage. In case of damage, have repaired by a qualified service center immediately	
	Guide bar/chain	Demount, clean and oil slightly Clean the guide groove of the guide bar	30
	Fuel, oil tanks	Empty and clean	
	Carburetor	Run empty	

Service, spare parts and guarantee

Maintenance and repair

The maintenance and repair of modern engines as well as all safety devices require qualified technical training and a special workshop equipped with special tools and testing devices.

We therefore recommend that you consult a DOLMAR service center for all work not described in this operator's manual.

The DOLMAR service centers have all the necessary equipment and skilled and experienced personnel, who can work out cost-effective solutions and advise you in all matters.

Please contact your nearest service center. Should you however not have an address for a DOLMAR service center then please contact the DOLMAR general trading company (see last page) who will gladly provide you with the address of your nearest DOLMAR service center.

Spare parts

Reliable long-term operation, as well as the safety of your chain saw, depend among other things on the quality of the spare parts used. Use only original DOLMAR parts, marked



Only original spare parts and accessories guarantee the highest quality in material, dimensions, function and safety.

Original spare parts and accessories can be obtained from your local dealer. He will also have the spare part lists to determine the required spare part numbers, and will be constantly informed about the latest improvements and spare part innovations.

Please bear in mind that if parts other than original DOLMAR spare parts are used, this will automatically invalidate the DOLMAR product guarantee.

Guarantee

DOLMAR guarantees the highest quality and will therefore reimburse all costs for repair by replacement of damaged parts resulting from material or production faults occurring within the guarantee period after purchase. Please note that in some countries particular guarantee conditions may exist. If you have any questions, please contact your salesman, who is responsible for the guarantee of the product.

Please note that we cannot accept any responsibility for damage caused by:

- Disregard of the operator's manual.
- Non-performance of the required maintenance and cleaning.
- Incorrect carburetor adjustment.
- Normal wear and tear.
- Obvious overloading due to permanent exceeding of the upper performance limits.
- Use of guide bars and chains which have not been approved.
- Use of guide bar and chain lengths which have not been approved.
- Use of force, improper use, misuse or accidents.
- Damage from overheating due to dirt on the fan housing.
- Work on the chain saw by unskilled persons or inappropriate repairs.
- Use of unsuitable spare parts or parts which are not original DOLMAR parts, insofar as they have caused the damage.
- Use of unsuitable or old oil.
- Damage related to conditions arising from lease or rent contracts.
- Damages caused by disregarding loose outer bolted connections.

Cleaning, servicing and adjustment work is not covered by the guarantee. All repairs covered by the guarantee must be performed by a DOLMAR service center.

Troubleshooting

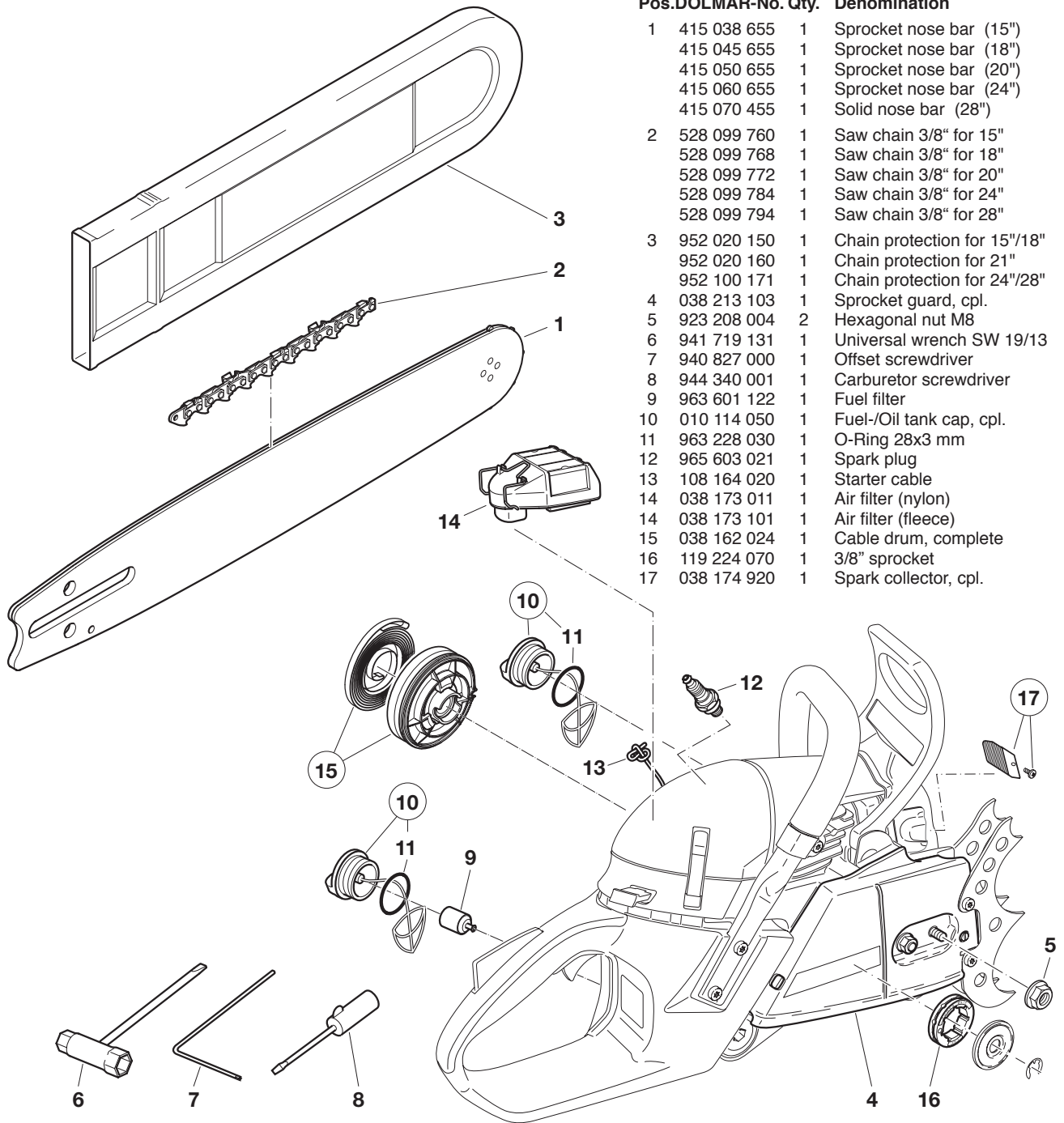
Malfunction	System	Observation	Cause
Chain does not run	Chain brake	Engine runs	Chain brake actuated.
Engine does not start or only with difficulty	Ignition system	Ignition spark No ignition spark	Malfunction in fuel supply system, compression system, mechanical malfunction. Switch on STOP, fault or short-circuit in the wiring, plug cap or spark plug defective. Choke in wrong position, carburetor defective, fuel filter dirty, fuel line bent or interrupted. Cylinder base packing ring defective, radial shaft packings defective, cylinder or piston rings defective Spark plug does not seal. Spring in starter broken, broken parts inside the engine.
	Fuel supply	Fuel tank is filled	
	Compression system	Inside	
	Mechanical malfunction	Outside Starter does not engage	
Warm start difficulties	Carburetor	Fuel tank is filled Ignition spark	Wrong carburetor adjustment.
Engine starts, but dies immediately	Fuel supply	Fuel tank is filled	Wrong idling adjustment, fuel filter or carburetor dirty. Tank venting defective, fuel line interrupted, cable defective, STOP switch defective. Decompression valve dirty
Insufficient power	Several systems may be involved simultaneously	Engine is idling	Air filter dirty, wrong carburetor adjustment, muffler clogged, exhaust channel in cylinder clogged, spark arrester screen clogged.
No chain lubrication	Oil tank/pump	No oil on the chain	Oil tank empty. Oil guide groove dirty. Oil-pump adjusting screw incorrectly adjusted.

Extract from the spare parts list

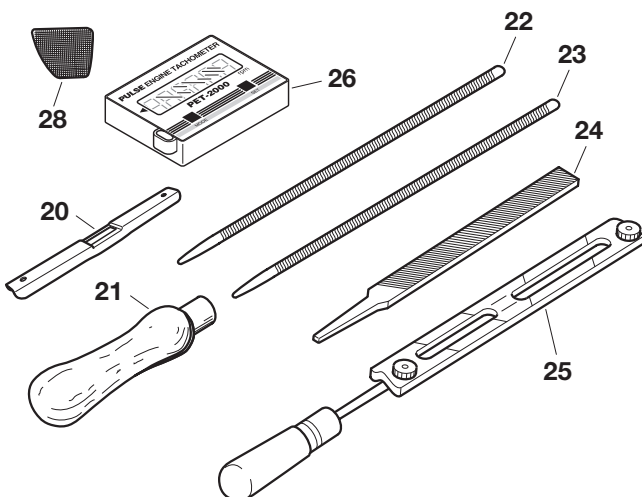
Use only original DOLMAR parts. For repairs and replacement of other parts, see your DOLMAR service center.

PS-7310
PS-7910

DOLMAR



Pos.	DOLMAR-No.	Qty.	Denomination
1	415 038 655	1	Sprocket nose bar (15")
	415 045 655	1	Sprocket nose bar (18")
	415 050 655	1	Sprocket nose bar (20")
	415 060 655	1	Sprocket nose bar (24")
	415 070 455	1	Solid nose bar (28")
2	528 099 760	1	Saw chain 3/8" for 15"
	528 099 768	1	Saw chain 3/8" for 18"
	528 099 772	1	Saw chain 3/8" for 20"
	528 099 784	1	Saw chain 3/8" for 24"
	528 099 794	1	Saw chain 3/8" for 28"
3	952 020 150	1	Chain protection for 15"/18"
	952 020 160	1	Chain protection for 21"
	952 100 171	1	Chain protection for 24"/28"
4	038 213 103	1	Sprocket guard, cpl.
5	923 208 004	2	Hexagonal nut M8
6	941 719 131	1	Universal wrench SW 19/13
7	940 827 000	1	Offset screwdriver
8	944 340 001	1	Carburetor screwdriver
9	963 601 122	1	Fuel filter
10	010 114 050	1	Fuel-/Oil tank cap, cpl.
11	963 228 030	1	O-Ring 28x3 mm
12	965 603 021	1	Spark plug
13	108 164 020	1	Starter cable
14	038 173 011	1	Air filter (nylon)
14	038 173 101	1	Air filter (fleece)
15	038 162 024	1	Cable drum, complete
16	119 224 070	1	3/8" sprocket
17	038 174 920	1	Spark collector, cpl.



Accessories (not delivered with the chain saw)

953 100 090	1	Chain gauge
953 004 010	1	File handle
953 003 040	1	Round file, dia. 7/32"
953 003 070	1	Round file, dia. 3/16"
953 003 060	1	Flat file
953 030 030	1	File holder 3/8"
950 233 210	1	Tachometer
949 000 035	1	Combined can (for 5l fuel, 2.5l chain oil)
038 173 200	1	Pre-filter (nylon)

EMISSIONS COMPONENT DEFECT WARRANTY COVERAGE

DOLMAR garantit à l'acheteur au détail initial et à chaque propriétaire ultérieur que cet équipement utilitaire est conçu, construit et équipé en conformité, à la date d'achat initiale, à toutes réglementations applicables de l' U.S. Environmental Protection Agency (Agence de protection environnementale des Etats-Unis) et que le moteur est exempt de tout défaut de matériaux et de main d'œuvre susceptible de le rendre non conforme aux réglementations de l'EPA pendant sa durée de garantie.

Pour les composants figurant sous PIÈCES COUVERTES, le concessionnaire agréé par DOLMAR fera gratuitement le diagnostic nécessaire, la réparation ou le remplacement de façon à ce que le moteur soit conforme aux réglementations applicables de l'US EPA.

PERIODE DE GARANTIE POUR LES DÉFAUTS DE COMPOSANTS D'ÉMISSION

La période de garantie pour ce moteur commence à la date où il a été vendu à l'acheteur initial et continue pendant une période de 2 ans.

PIÈCES COUVERTES

Les pièces figurant ci-dessous sont couvertes par la garantie concernant les défauts de composants d'émission. Certaines pièces figurant ci-dessous peuvent nécessiter une maintenance planifiée et sont garanties jusqu'au premier point de remplacement prévu pour cette pièce.

Système de dosage de combustible

Carburateur et pièces internes
Filtre à carburant, si applicable
Obturbateur d'étrangleur, si applicable
Système de starter, si applicable

Système d'allumage

Bougie d'allumage
Volant magnétique
Bobine d'allumage

Système à induction d'air

Préfiltre, si disponible, filtre à air
Carter de filtre à air, manchon de jonction

Unités diverses utilisées dans les systèmes ci-dessus

Tuyaux d'essence, brides et joints d'étanchéité

Composante avec émissions

Réservoir carburant, bouchon du réservoir

OBTENTION DU SERVICE DE GARANTIE

Pour obtenir le service de garantie, apportez la machine au le service SAV agréé par DOLMAR et fournir la preuve d'achat indiquant la date d'achat de cette machine. Le concessionnaire SAV agréé par DOLMAR effectuera les réparations ou réglages nécessaires en un temps raisonnable et vous remettra une copie de la commande de réparation. Toutes les pièces et tous les accessoires remplacés sous cette garantie deviendront la propriété de DOLMAR.

CE QUI N'EST PAS COUVERT

- Dommages dus à une manipulation impropre, usage incorrect, ajustage inadéquat (à moins qu'ils étaient effectués par le concessionnaire SAV agréé par DOLMAR pendant une réparation de garantie), altération, accident, défaut d'utiliser l'essence et l'huile recommandée ou le fait de n'avoir pas effectué les services d'entretien nécessaires.
- Les pièces de rechange utilisées pour les services d'entretien nécessaires
- Dommages conséquents comme perte de temps, désagréments, perte due à la non-utilisation de la machine ou de l'équipement etc.
- Frais de diagnostic et d'inspection n'aboutissant pas à la réalisation d'un service de garantie
- Toute pièce de rechange non-autorisée, ou mauvais fonctionnement de pièces autorisées dû à l'utilisation de pièces non-autorisées.

RESPONSABILITÉS DE GARANTIE DU PROPRIÉTAIRE

En tant que propriétaire de la machine, vous êtes tenu responsable de l'exécution de la maintenance requise indiquée dans le manuel du propriétaire. DOLMAR recommande de conserver toutes les quittances couvrant l'entretien de votre machine, car DOLMAR ne peut pas refuser la garantie seulement à cause du manque de quittances ou parce que vous avez manqué à assurer la réalisation de toute la maintenance prévue. En tant que propriétaire de la machine, vous devez toutefois être conscient que DOLMAR peut refuser la couverture de la garantie si votre machine ou une partie de celle-ci est défectueuse à cause d'abus, de négligence, de maintenance inadéquate ou de modifications non autorisées. Vous avez la responsabilité de présenter votre machine au concessionnaire SAV agréé par DOLMAR le plus proche en cas de problème. Pour toute question concernant vos droits de garantie et responsabilités, n'hésitez pas à contacter le Département de Service de Garantie DOLMAR à 1-888-OPE-PART ou info@dolmar.com

CHOSSES À SAVOIR CONCERNANT LA GARANTIE DU SYSTÈME DE CONTRÔLE D'ÉMISSION :

MAINTENANCE ET RÉPARATIONS

Vous êtes responsable de la maintenance adéquate de la machine. Vous devez conserver tous les reçus et les rapports d'entretien concernant la réalisation de l'entretien régulier en cas de problèmes. Ces reçus et rapports d'entretien doivent être transmis à tout propriétaire suivant de la machine. DOLMAR se réserve le droit de refuser la couverture de garantie si la machine n'a pas été entretenue convenablement. Les réclamations faites au titre de la garantie ne seront pas refusées, à moins que la maintenance requise n'ait pas été effectuée ou que les rapports d'entretien n'aient pas été conservés.

LA MAINTENANCE, LE REMPLACEMENT ET LA RÉPARATION D'UNITÉS DE CONTRÔLE D'ÉMISSION DOIVENT ÊTRE EFFECTUÉS PAR UNE PERSONNE QUELCONQUE OU TOUT ÉTABLISSEMENT DE RÉPARATION ; TOUTEFOIS, LES RÉPARATIONS SOUS GARANTIE DOIVENT ÊTRE RÉALISÉES PAR UN CONCESSIONNAIRE SAV AGRÉÉ PAR DOLMAR. L'UTILISATION DE PIÈCES NON EQUIVALENTES SUR LE PLAN PERFORMANCE ET DURABILITÉ AUX PIÈCES AUTORISÉES PEUT PORTER ATTEINTE À L'EFFICACITÉ DU SYSTÈME DE CONTRÔLE D'ÉMISSION ET PEUT AVOIR UNE IMPORTANCE SUR LE RÉSULTAT D'UNE RECLAMATION FAITE AU TITRE DE LA GARANTIE.

Si des pièces autres que celles agréées par DOLMAR sont utilisées pour des remplacements d'entretien ou pour la réparation de composants concernant le contrôle d'émission, vous devez vous assurer que ces pièces sont garanties par leur constructeur comme étant équivalentes aux pièces autorisées par DOLMAR dans leur performance et durabilité.

COMMENT FAIRE UNE RÉCLAMATION

Toutes les réparations tombant sous cette garantie limitée doivent être effectuées par un concessionnaire SAV autorisé par DOLMAR. Au cas où une pièce relative aux émissions s'avère être défectueuse pendant la durée de garantie, vous devez prévenir le Département de Service de Garantie DOLMAR à 1-888-OPE-PART ou info@dolmar.com et vous serez informé par le concessionnaire garantie SAV ou des prestataires de service où la réparation sous garantie peut être effectuée.

ATTENTION!

Une utilisation négligente ou incorrecte de ce produit peut entraîner des blessures graves ou mortelles! Avant d'utiliser une tronçonneuse ou d'autres produits DOLMAR, il est important que vous ayez lu et entièrement compris et que vous suiviez avec soin les instructions fournies par le présent mode d'emploi. Le retour de chaîne peut entraîner des blessures graves ou mortelles et constitue l'un des nombreux dangers potentiels liés à l'utilisation d'une tronçonneuse. Ce mode d'emploi décrit de façon détaillée le retour de chaîne et les autres mesures de sécurité. D'autres exemplaires de ce mode d'emploi peuvent être commandés auprès de DOLMAR POWER PRODUCTS, PO Box 5007, Alpharetta, GA, 30005-5007, USA, Telephone 1-888-OPE-PART ou info@dolmar.com

Ce produit est en conformité avec: la norme de sécurité pour tronçonneuses B 175.1-2000 de l'American National Standard Institute,
la norme de sécurité pour tronçonneuses Z62.1-03 de la Canadian Standards Association,
la norme relative au choc de recul pour tronçonneuses Z62.3-04.
Société du génie automobile
SAEJ 335-Juin 95 „Petit système d'échappement portable ne produisant aucune étincelle”

La période de conformité relative aux émissions indiquée sur le label de conformité à la réglementation relative aux émissions indique le nombre d'heures de service pendant lesquelles le moteur s'est avéré répondre aux exigences d'émissions nationales. Catégorie C=50 heures, B=125 heures, et A=300 heures.

Cette tronçonneuse est un produit allemand de qualité. Ce mode d'emploi contient des instructions importantes pour son montage et son utilisation. Pour votre sécurité, lisez très soigneusement les instructions de prévention des accidents avant de mettre en service votre tronçonneuse car une utilisation incorrecte peut, malgré toutes les précautions prises, entraîner des accidents. Avec un peu de soin et d'attention, ce produit de toute première qualité vous rendra d'excellents services et vous donnera entière satisfaction pendant très longtemps.



PS-7310, PS-7910

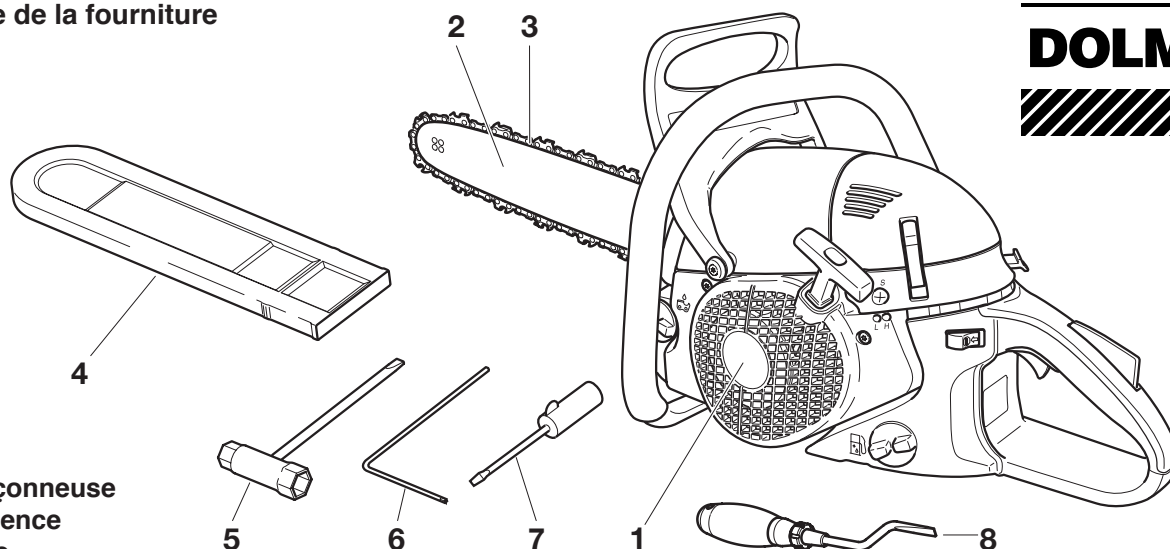
Sommaire	page	Sommaire	page
Etendue de la fourniture	40	Nettoyer le guide de la chaîne	66
Symboles	40	Nouvelle chaîne de sciage	66
Mesures de sécurité	41-52	Remplacement de la crépine d'aspiration	66
Désignation des composants	53	Nettoyage du filtre d'air	67
Caractéristiques techniques	54	Remplacement de bougie	68
Montage du guide et de la chaîne de sciage	55-57	Remplacement du cordon de lancement	69
Frein de chaîne de sécurité	57	Remplacement du ressort de rappel	69
Carburant/ravitaillement	58-59	Montage du carter du ventilateur	70
Graissage de la chaîne	60	Nettoyage de l'espace cylindre	70
Démarrer le moteur	61	Changement / nettoyage du pare-étincelles	70
Arrêter le moteur	61	Instruction d'entretien quotidien et périodique	71
Vérifier le frein de chaîne de sécurité	61	Service d'atelier,	
Réglage du carburateur	62	pièces de rechange et garantie	71-72
Fonctionnement en été / hiver	62	Recherche de pannes	72
Chauffage de poignée		Extrait de la liste des pièces de rechange	73
(uniquement sur les appareils de type « H »)	63		
Affûtage de la chaîne de sciage	63-64		
Nettoyer l'intérieur de la bande de			
frein de chaîne et de la roue à chaîne	65		

Les tronçonneuses PS-7310 et PS-7910 sont livrées dans un carton qui les protège des dommages dus au transport. Le carton est une matière première de base qui peut être réutilisée ou recyclée (recyclage des vieux papiers).



Etendue de la fourniture

DOLMAR



1. Tronçonneuse à essence
2. Guide
3. Chaîne
4. Housse de protection du guide
5. Outillage de montage
6. Tournevis coudé
7. Tournevis pour le réglage du carburateur
8. Nettoyeur d'ailettes de cylindre
9. Manuel d'emploi et de sécurité (sans illustration)

Si un des composants indiqués ici ne devait pas être dans la fourniture, veuillez vous adresser à votre vendeur!

Symboles

Vous rencontrerez les symboles suivants sur l'appareil et dans le manuel d'emploi et de sécurité. Symboles additionnels voir page 42.

	Lire instructions d'emploi et suivre les consignes de sécurité et d'avertissement!		Attention, choc de recul (Kickback)
	Danger et attention particuliers!		Frein de chaîne
	Interdit!		Mélange carburant
	Porter le casque, les lunettes et acoustiques de protection!		Fonctionnement en été / hiver
	Porter des gants de protection		Chauffage de poignée
	Interdiction de fumer!		Réglage du carburateur
	Pas de feu ouvert!		Huile pour chaîne de sciage / graissage de la chaîne
	Arrêter le moteur!		Vis de réglage pour l'huile de chaîne de sciage
	Appuyer sur la soupape de décompression		Premier secours
	Démarrer le moteur		Ne touchez pas les surfaces chaudes!
	Interrupteur de marche/arrêt (I/O)		Recyclage

Mesures de sécurité à respecter par les utilisateurs de tronçonneuses

Lorsque vous utilisez la tronçonneuse, veuillez respecter les règles suivantes :

- a) Évitez tout contact entre la pointe du guide et tout objet.
- b) Le contact de la pointe peut entraîner un déplacement brutal du guide vers le haut et vers l'arrière et être à l'origine de blessures graves ou mortelles.
- c) Il faut toujours utiliser la tronçonneuse en la tenant des deux mains.

ATTENTION!

Lisez et respectez toutes les mesures de sécurité indiquées dans le mode d'emploi. Le non-respect des instructions peut avoir pour conséquence des blessures graves. Ne prêter des tronçonneuses qu'à des utilisateurs ayant une expérience avec les tronçonneuses à chaîne. Dans ce cas, les instructions d'emploi et de sécurité doit être remise au prêteur.

ATTENTION!

Cette tronçonneuse est capable de violents retours de chaîne qui peuvent blesser gravement l'utilisateur. N'utilisez cette tronçonneuse que si vous avez besoin de procéder à des travaux intensifs et si vous disposez d'une expérience et d'une formation vous permettant de maîtriser le choc de recul. Il existe des tronçonneuses à risque de choc de recul réduit.

ATTENTION!

Le choc de recul peut se produire lorsque la pointe ou l'extrémité du guide touche un objet ou lorsque le bois se referme et coince la chaîne dans la coupe. Le contact peut arrêter brutalement la **chaîne** et dans certains cas causer une **réaction** inverse extrêmement rapide, entraînant un déplacement du guide vers le haut et vers l'arrière vers l'utilisateur. Le **choc de recul** peut vous faire perdre le contrôle de la tronçonneuse.

Certaines mesures peuvent être prises par les utilisateurs de tronçonneuses pour réduire le risque de choc de recul et de blessure.

- A. Si vous avez bien assimilé le principe du choc de recul, vous pouvez réduire ou éliminer l'effet de surprise qui augmente le risque d'accident.
- B. Lorsque le moteur tourne, tenez fermement la tronçonneuse à deux mains, la main droite sur la poignée arrière et la main gauche sur la poignée tubulaire. Tenez fermement les poignées de la tronçonneuse en les entourant avec le pouce et les autres doigts. Une prise ferme peut neutraliser le choc de recul et vous aider à garder le contrôle de la tronçonneuse. Ne lâchez pas prise!
- C. Assurez-vous que la zone où vous travaillez ne présente pas d'obstacles. Ne laissez pas la pointe du guide toucher le rondin, la branche ou tout autre obstacle qui pourrait être heurté pendant que vous utilisez la tronçonneuse.
- D. Ne coupez pas les bras tendus ou plus haut qu'à hauteur d'épaules.
- E. Respectez les instructions du fabricant relatives à l'affûtage et à l'entretien de la tronçonneuse.
- F. N'utilisez que les guides et les chaînes indiqués par le constructeur ou des pièces équivalentes.

Mesures de sécurité supplémentaires

Tous les utilisateurs de tronçonneuses doivent respecter les mesures de sécurité supplémentaires ci-dessous:

1. Ne travaillez pas avec une tronçonneuse lorsque vous êtes fatigué.
2. Utilisez des chaussures de sécurité, des vêtements ajustés, des gants de sécurité ainsi que des lunettes, un casque antibruit et un casque de sécurité.
3. Maniez le carburant avec prudence. Eloignez la tronçonneuse d'au moins 10 pieds (3 m) du point de ravitaillement avant de démarrer le moteur.
4. Assurez-vous que personne ne se trouve à proximité de la tronçonneuse au moment du démarrage ou pendant la coupe. Maintenez les spectateurs et les animaux en dehors de la zone de travail.
5. Ne commencez pas la coupe avant d'avoir dégagé la zone de travail, de vous être assuré une position stable au sol et d'avoir prévu une voie de repli vous permettant de vous retirer lorsque l'arbre s'abattra.
6. Lorsque le moteur tourne, maintenez la chaîne de la tronçonneuse à distance de votre corps.
7. Avant de démarrer le moteur, assurez-vous que la chaîne ne touche aucun objet.
8. Portez la tronçonneuse moteur arrêté, le guide et la chaîne vers l'arrière et le pot d'échappement éloigné de vous.
9. N'utilisez pas de tronçonneuse endommagée, incorrectement réglée ou incomplètement et incorrectement montée. Assurez-vous que la chaîne s'arrête lorsque vous relâchez la gâchette des gaz.
10. Arrêtez le moteur avant de poser la tronçonneuse.
11. Soyez extrêmement prudent lorsque vous coupez des broussailles et des jeunes arbres de petites dimensions car du petit bois peut se prendre dans la chaîne de la tronçonneuse et être projeté vers vous ou vous tirer en vous faisant perdre l'équilibre.
12. Lorsque vous coupez des grosses branches qui forcent, faites attention à la détente pour ne pas être heurté lorsque la tension sur les fibres du bois se relâchera.
13. Maintenez les poignées de la tronçonneuse sèches, propres et exemptes d'huile ou de mélange deux temps.
14. N'utilisez la tronçonneuse que dans des endroits correctement ventilés.
15. Ne montez pas dans un arbre avec la tronçonneuse à moins d'avoir reçu une formation spécifique pour ce type d'utilisation.
16. Toutes les opérations d'entretien de la tronçonneuse autres que celles indiquées dans les instructions d'entretien du mode d'emploi doivent être effectuées par DOLMAR. (Par exemple, l'utilisation d'outils inappropriés pour retirer le volant ou pour maintenir le volant afin de retirer l'embrayage peut entraîner des détériorations du volant et par voie de conséquence son éclatement).
17. Ne transportez la tronçonneuse que munie de la protection de chaîne.
18. Les guides et les chaînes à faible choc de recul sont conçus pour réduire le risque de blessure par choc de recul. Pour toute information sur ces produits, adressez-vous à votre revendeur DOLMAR.

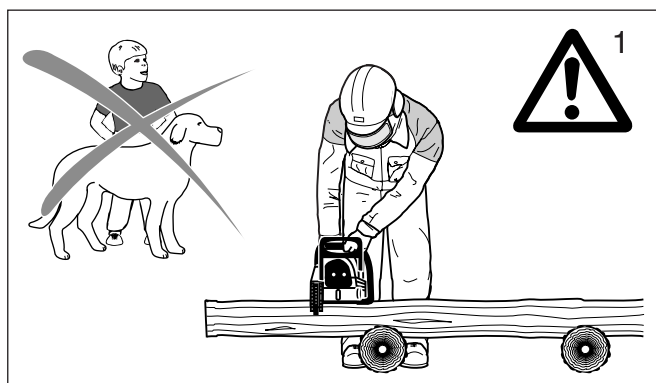
Mesures générales de sécurité

L'utilisation de toute tronçonneuse peut être dangereuse. A plein régime, la chaîne peut atteindre une vitesse de 45 mph (20 m/s). Il est important que vous ayez lu et entièrement compris et que vous suiviez les mesures de sécurité et les mises en garde suivantes. Relisez de temps en temps le mode d'emploi et les instructions de sécurité.

ATTENTION!

Les forces de réaction, y compris le choc de recul, peuvent être dangereuses. Une utilisation négligente ou incorrecte de toute tronçonneuse peut entraîner des blessures graves ou mortelles.

Demandez à votre revendeur DOLMAR de vous montrer comment utiliser la tronçonneuse. Respectez l'ensemble des règlements, normes et arrêtés de sécurité localement en vigueur.



ATTENTION!

L'utilisation d'une tronçonneuse doit être interdite aux mineurs.

Il faut éloigner les spectateurs, en particulier les enfants et les animaux, de la zone d'utilisation de la tronçonneuse (fig. 1).

Ne laissez jamais la tronçonneuse fonctionner sans surveillance.

Conservez-la sous clé hors de portée des enfants. Remplissez le réservoir de carburant aux 7/8 (cf. stockage de la tronçonneuse).

Ne prêtez pas votre tronçonneuse sans ce mode d'emploi. Assurez-vous que toute personne utilisant votre tronçonneuse a bien compris les informations fournies.

L'utilisation correcte d'une tronçonneuse dépend :

1. de l'utilisateur
2. de la tronçonneuse
3. de l'utilisation qui est faite de la tronçonneuse.

Description des symboles figurant sur les tronçonneuses:



CSA normes Z62.1-03
Classe 1A Z62.3-04

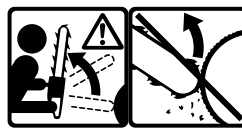
ANSI norme B175.1-2000
SAE norme SAE J335



Angle maximum de choc de recul calculé (CKA)* sans frein de chaîne, avec les combinaisons de barre et de chaîne recommandées (ici, l'angle CKA est de 45°).

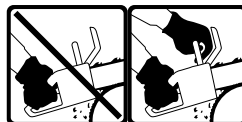


Angle maximum de choc de recul calculé (CKA)* avec frein de chaîne, avec les combinaisons de barre et de chaîne recommandées (ici, l'angle CKA est de 40°).



Il faut éviter tout contact de la pointe du guide avec un objet quelconque. Le contact de la pointe peut entraîner un déplacement

brutal du guide vers le haut et vers l'arrière et être à l'origine de blessures graves ou mortelles.



Il faut toujours utiliser la tronçonneuse en la tenant des deux mains!



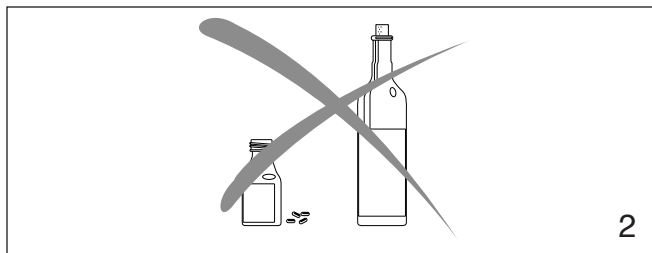
Combinaison réduite entre barre de recul et chaîne évaluée avec le moteur pour obtenir une protection contre le recul (selon normes ANSI et CSA).

* L'angle de choc de recul calculé est une valeur calculée à partir d'énergies mesurées sur un banc d'essai. Ce n'est pas l'angle du guide remontant en cas de CHOC DE REcul.

L'utilisateur

Condition physique

Vous devez être en bonne forme physique et mentale et n'être sous l'influence d'aucune substance (stupéfiants, alcool) pouvant diminuer votre acuité visuelle, votre habileté ou votre jugement.



ATTENTION!

L'utilisation prolongée de tronçonneuses expose l'utilisateur à des vibrations qui peuvent entraîner l'apparition de la maladie de Raynaud. Cette maladie se manifeste par une réduction de la sensibilité et de la régulation de la température au niveau des mains, par des engourdissements et des brûlures. Elle peut également entraîner des lésions nerveuses et circulatoires et une nécrose des tissus. Toutes les tronçonneuses DOLMAR sont donc munies d'un système antivibration qui est très important pour les personnes utilisant des tronçonneuses de façon régulière ou prolongée. Les systèmes antivibration ne garantissent pas que vous n'aurez pas la maladie de Raynaud mais elles en réduisent considérablement le risque. Les personnes utilisant une tronçonneuse de façon continue et régulière doivent toutefois examiner leur mains et leurs doigts et, si elles constatent des symptômes anormaux, consulter immédiatement un médecin.

Quels vêtements porter?

L'utilisateur doit porter des vêtements robustes et ajustés mais qui lui laissent une complète liberté de mouvement. Evitez les vestes amples, les écharpes, les cravates, les bijoux, les pantalons à pattes d'éléphant ou à revers ou quoi que ce soit qui puisse se prendre dans la tronçonneuse ou les broussailles. Portez une combinaison ou des jeans munis de renforts de protection contre la coupe (fig. 3).

Portez des gants de sécurité lorsque vous manipulez la tronçonneuse et la chaîne. Les gants antidérapants très résistants améliorent votre prise et protègent vos mains.



Pour travailler avec la tronçonneuse, il est important d'avoir une position stable au sol. Portez des chaussures montantes robustes munies de semelles antidérapantes. Il est conseillé de porter des chaussures de sécurité à embout acier.

Il est absolument indispensable de protéger correctement les yeux. Il est conseillé d'utiliser des lunettes antibuée ventilées et un evisière pour réduire le risque de blessure aux yeux et au visage.

Protégez-vous la tête en portant un casque de sécurité approprié. Le bruit de la tronçonneuse peut entraîner des lésions de l'ouïe. Utilisez donc toujours une protection antibruit (bouchons ou casque antibruit).

Les personnes utilisant une tronçonneuse de façon continue et régulière doivent faire examiner régulièrement leur acuité auditive.



Porter le casque, les lunettes et acoustiques de protection!

La tronçonneuse

Pièces composant la tronçonneuse : cf. les illustrations et les descriptions de la page 53.

ATTENTION!

Ne modifiez jamais une tronçonneuse de quelque façon que ce soit. Seuls les accessoires fournis par DOLMAR ou expressément agréés par DOLMAR pour une utilisation avec la tronçonneuse spécifiée sont autorisés.

ATTENTION!

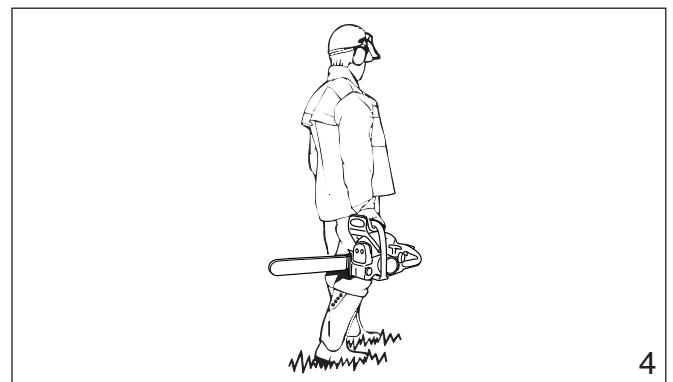
Les guides à étrier augmentent de façon importante le risque de choc de recul et donc de blessure grave ou mortelle en raison de la plus grande zone de choc de recul de la conception à étrier. Les guides à étrier ne sont pas conseillés pour les tronçonneuses DOLMAR et il ne sont pas agréés par la norme de sécurité pour tronçonneuses ANSI B 175.1-2000.

Utilisation de la tronçonneuse

Transport de la tronçonneuse

ATTENTION!

Il faut toujours arrêter le moteur avant de déposer ou de porter la tronçonneuse. Il est très dangereux de porter la tronçonneuse avec le moteur en marche. Une accélération intempestive du moteur peut mettre la chaîne en marche. Evitez de toucher le pot d'échappement (risque de brûlure).



Transport à la main: lorsque vous portez votre tronçonneuse à la main, le moteur doit être arrêté et la tronçonneuse doit être en position correcte. La protection de la chaîne doit être mise et le guide doit être orienté vers l'arrière. Lorsque vous portez la tronçonneuse, le guide doit être derrière vous (fig. 4).

Dans un véhicule: lors du transport de la tronçonneuse dans un véhicule, la chaîne et le guide doivent être recouverts avec la protection. Fixez correctement la tronçonneuse pour l'empêcher de se renverser et éviter les fuites de carburant et les détériorations de la tronçonneuse. Assurez-vous que la tronçonneuse n'est pas exposée à la chaleur ou à des étincelles.

Instructions d'utilisation de la tronçonneuse

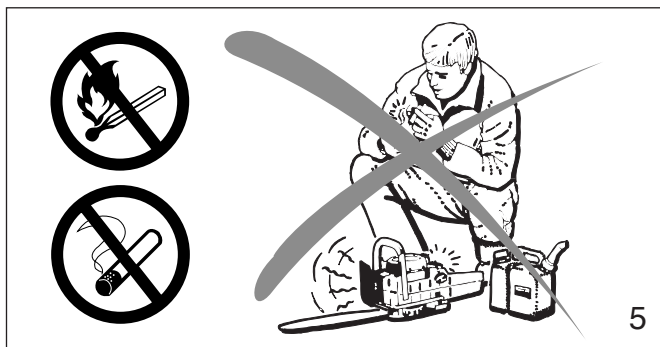
Pour monter la tronçonneuse, suivez la procédure indiquée au chapitre „Montage du guide et de la chaîne“ de ce mode d'emploi. La chaîne, le guide et le pignon DOLMAR doivent être assortis (cf. chapitre correspondant de ce mode d'emploi).

ATTENTION!

Il est extrêmement important que la chaîne soit correctement tendue. Pour éviter un réglage incorrect, il faut tendre la chaîne en suivant la procédure indiquée dans ce mode d'emploi. Après avoir tendu la chaîne, assurez-vous toujours que le ou les écrous hexagonaux du cache-pignon sont bien serrés. Vérifiez encore une fois la tension de la chaîne après avoir serré les écrous puis à intervalles réguliers (toujours avant le début du travail). Si la chaîne se détend pendant la coupe, arrêtez le moteur et tendez-la. N'essayez jamais de tendre la chaîne pendant que le moteur est en marche!

Ravitaillement en carburant

Votre tronçonneuse DOLMAR fonctionne au mélange deux temps (cf. chapitre „Carburant“ de ce mode d'emploi).



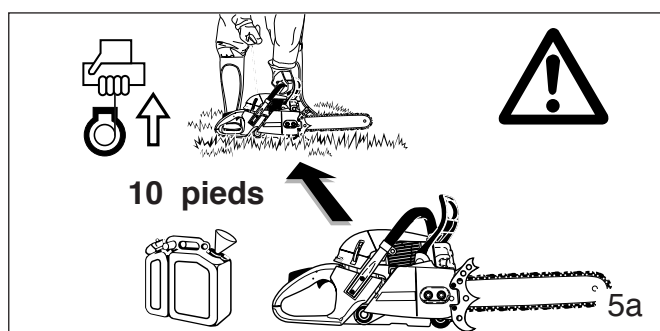
ATTENTION!

L'essence est un carburant très inflammable. Soyez extrêmement prudent lorsque vous manipulez l'essence ou le mélange deux temps. Ne fumez pas et évitez la présence de toute étincelle ou flamme à proximité du carburant (fig. 5).

Instructions de ravitaillement



Faites le plein de votre tronçonneuse dans des endroits bien ventilés ou à l'extérieur. Il faut toujours arrêter le moteur et le laisser refroidir avant de faire le plein. Faites le plein sur un sol nu et éloignez la tronçonneuse d'au moins 10 pieds (3 m) du point de ravitaillement avant de démarrer le moteur (fig. 5a).

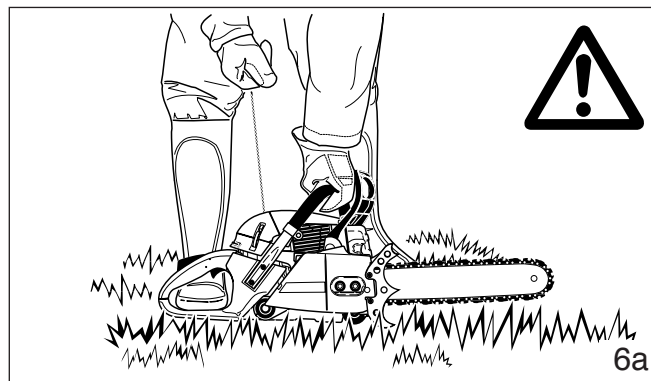
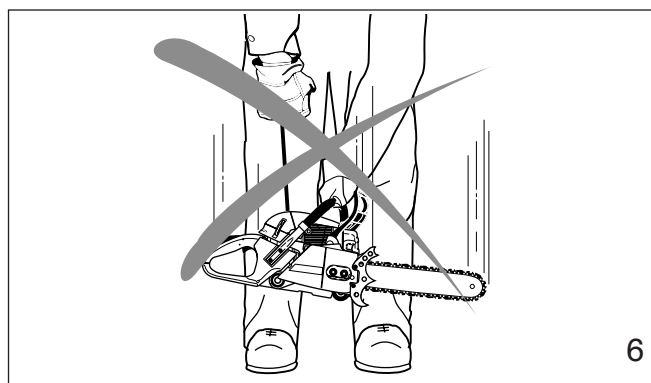


Essuyez le carburant renversé avant de démarrer votre tronçonneuse et examinez-la pour voir si elle fuit.

Examinez votre tronçonneuse pour voir s'il y a des fuites pendant le ravitaillement et l'utilisation. Si vous constatez des fuites de carburant ou d'huile, ne démarrez pas ou ne faites pas fonctionner le moteur avant d'avoir remédié à la fuite et essuyé le carburant renversé. Changez immédiatement de vêtements s'ils sont souillés de carburant (danger de mort!). Evitez le contact de la peau avec le carburant. Ne jamais dévisser ou retirer le bouchon du réservoir de carburant pendant que le moteur tourne.

Démarrage

Ne démarrez pas la tronçonneuse en la laissant descendre au bout du cordon. Cette méthode est très dangereuse car vous pouvez perdre le contrôle de la tronçonneuse (fig. 6).



Posez la tronçonneuse sur un sol ferme ou sur une autre surface dure à un endroit dégagé. Assurez-vous que vous avez une position stable au sol et un bon équilibre. Passez le pied droit dans la poignée arrière et prenez fermement la poignée avant de la main gauche (fig. 6 a).

Il faut absolument vous assurer que ni le guide ni la chaîne ne sont en contact avec vous ou avec tout autre obstacle ou objet ou le sol. En effet, lorsque le moteur démarre avec les gaz à moitié, la vitesse du moteur est suffisante pour que l'embrayage entraîne le pignon et fasse tourner la chaîne, causant ainsi un risque de choc de recul. N'essayez jamais de démarrer le moteur lorsque le guide se trouve dans une coupe ou dans une entaille.

Lorsque vous tirez sur la poignée du démarreur, n'enroulez pas le cordon autour de votre poignée. Ne relâchez pas brusquement la poignée, accompagnez-la lentement pour permettre au cordon de s'enrouler correctement. Le non-respect de cette méthode peut entraîner des blessures de la main ou des doigts et détériorer le démarreur.

Réglages importants

ATTENTION!

Lorsque le ralenti est correctement réglé, la chaîne ne doit pas tourner. Pour le réglage du ralenti, reportez-vous au chapitre correspondant de ce mode d'emploi.

N'utilisez pas de tronçonneuse dont le ralenti n'est pas correctement réglé. Réglez le ralenti vous-même de la façon indiquée dans le chapitre correspondant de ce mode d'emploi.

Demandez à votre revendeur DOLMAR d'examiner votre tronçonneuse et de procéder aux réglages corrects ou aux réparations.

Vérifiez souvent la tension de la chaîne, surtout juste après avoir monté une chaîne neuve. Les chaînes neuves peuvent se détendre de façon plus importante pendant les premiers temps d'utilisation. Si la chaîne est bien réglée, il est possible de la tirer librement à la main autour du guide sans qu'elle pende. Pour vérifier ou régler la tension de la chaîne, il faut toujours arrêter le moteur et porter des gants.

Conditions de travail

N'utilisez la tronçonneuse qu'à l'extérieur et uniquement de jour et dans de bonnes conditions de visibilité.

ATTENTION!

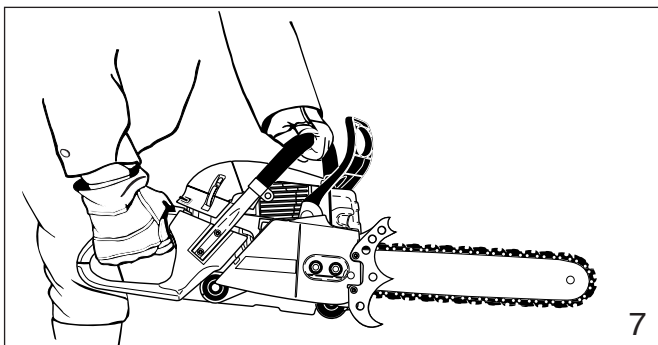
Soyez extrêmement prudent par temps humide ou par gel (pluie, neige, glace). Remettez le travail à plus tard en cas de vent, de tempête ou de pluie violente. Dégagez la zone où vous travaillez.

ATTENTION!

Évitez de trébucher sur des obstacles tels que souches, racines ou pierres et faites attention aux trous et aux fossés. Soyez extrêmement vigilant lorsque vous travaillez sur un terrain incliné ou sur un sol accidenté. Il ya un risque de glissade accru sur les rondins fraîchement écorcés.

Instructions de coupe

Lorsque le moteur tourne, tenez toujours fermement la tronçonneuse à deux mains. Posez la main gauche sur la poignée tubulaire et la main droite sur la poignée et sur la gâchette des gaz. Ces instructions sont également valables pour les gauchers.

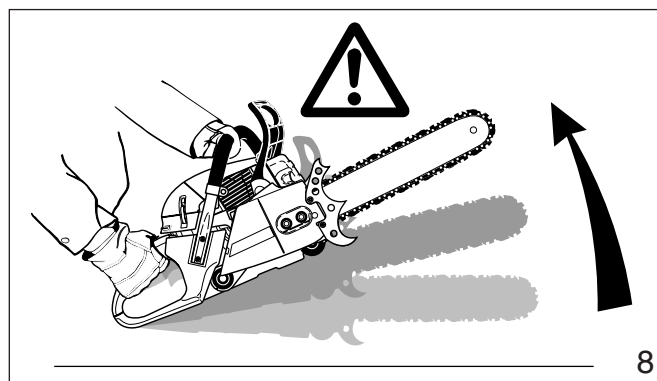


Maintenez fermement les poignées dans le creux de la main en les entourant entre le pouce et l'index (fig. 7). Cette position vous permet de mieux résister et absorber les forces de recul, de traction et de choc de recul de votre tronçonneuse sans qu'elle vous glisse des mains (cf. le point relatif aux forces de réaction). Assurez-vous que les poignées de la tronçonneuse sont en bon état et exemptes d'humidité, de poix, d'huile ou de graisse.

Commencez toujours la coupe avec la chaîne tournant à pleine vitesse et la barre à griffe en contact avec le bois.

ATTENTION!

N'utilisez jamais la tronçonneuse d'une seule main car vous ne pouvez pas contrôler les forces de réaction (cf. pages 46 à 48) et vous pourriez perdre le contrôle de la tronçonneuse.



ATTENTION!

N'utilisez pas la tronçonneuse avec les gaz à moitié car cette position ne vous permet pas de contrôler correctement la tronçonneuse ou la vitesse de la chaîne.

ATTENTION!

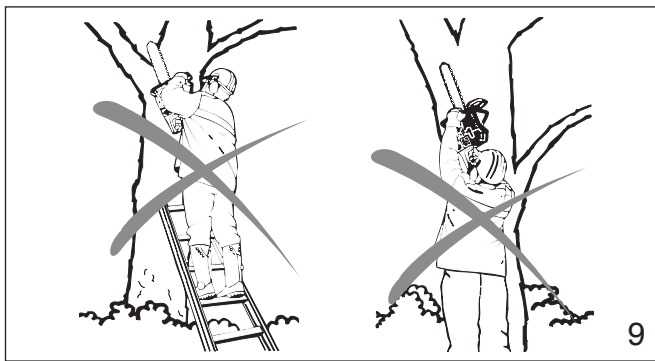
Ne jamais trop approcher les mains ou tout autre partie de votre corps d'une chaîne en mouvement.

ATTENTION!

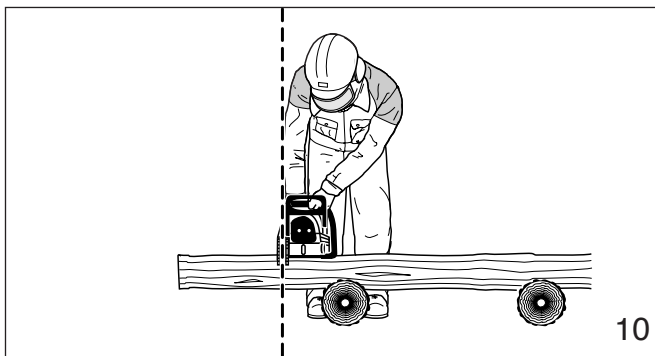
Ne coupez jamais d'autres matériaux que du bois ou des objets en bois.

N'utilisez votre tronçonneuse que pour couper, pas pour casser ou pousser des branches, des racines ou d'autres objets.

Lorsque vous sciez, faites attention à ce que la chaîne ne touche pas de corps étrangers tel que pierres, clous et autres (fig. 8). Ils pourraient être projetés, détériorer la chaîne ou entraîner un choc de recul.



Pour garder la maîtrise de votre tronçonneuse, ayez toujours une position stable au sol. Ne travaillez jamais sur une échelle, dans un arbre ou sur tout autre support instable. N'utilisez jamais la tronçonneuse plus haut qu'à hauteur d'épaules (fig. 9).



Positionnez la chaîne de sorte que votre corps soit éloigné du dispositif de coupe lorsque le moteur tourne (fig. 10).

N'appuyez pas sur la tronçonneuse lorsque vous arrivez à la fin d'une coupe. Sous l'effet de la pression, le guide et la chaîne peuvent sauter hors de la coupe ou de l'entaille, ne plus pouvoir être contrôlés et frapper l'utilisateur ou un autre objet. Si la chaîne en mouvement heurte un objet, une force de réaction (cf. pages 47 à 49) peut faire que la chaîne heurte l'utilisateur.

Forces de réaction pendant la coupe, y compris le choc de recul

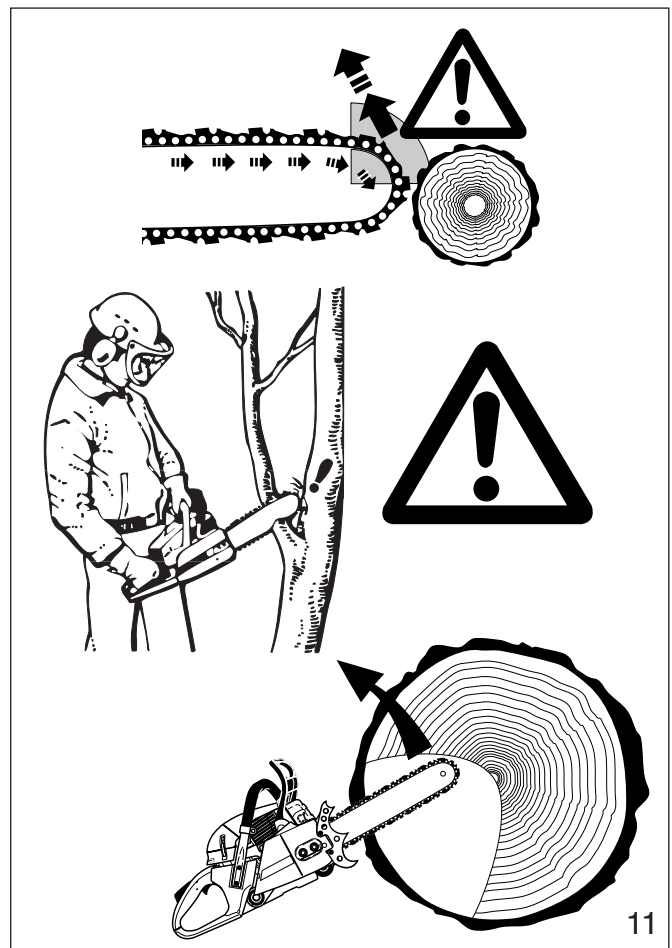
ATTENTION!

Les forces de réaction qui peuvent se produire pendant toute coupe sont le choc de recul, le recul et la traction. Les forces de réaction peuvent être dangereuses sur toutes les tronçonneuses car la puissance utilisée pour couper le bois peut être renversée et se retourner contre l'utilisateur.

Si la chaîne en mouvement est brusquement arrêtée par le contact avec tout objet solide comme un rondin ou une branche ou si elle est coincée, les forces de réaction s'exercent immédiatement. Ces forces de réaction peuvent entraîner la perte de contrôle qui, à son tour, peut être à l'origine de blessures graves ou mortelles. Comprendre les causes de ces forces de réaction peut vous aider à éviter de perdre le contrôle de votre tronçonneuse.

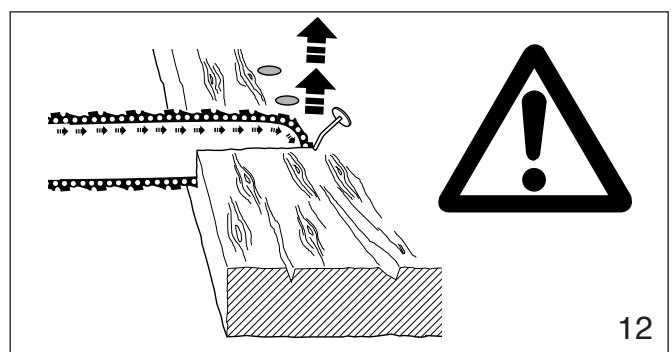
Les forces de réaction les plus courantes sont :

- le choc de recul
- le recul
- la traction.



Choc de recul (Kickback):

Le choc de recul se produit lorsque le quadrant supérieur de la pointe du guide entre en contact avec un objet dur dans le bois ou qu'il est coincé (fig. 11). La réaction de la force de coupe de la chaîne rotative entraîne une force de rotation de la tronçonneuse dans la direction opposée au mouvement de la chaîne, généralement dans le plan du guide. Ceci peut projeter de façon incontrôlée le guide qui décrit alors un arc de cercle vers l'utilisateur.



Cette réaction peut se produire en l'espace d'une fraction de seconde et, dans certaines circonstances, le guide et la chaîne peuvent frapper l'utilisateur avec une force suffisante pour lui occasionner des blessures graves ou mortelles. Elle peut aussi se produire pendant l'ébranchage. Elle se produit aussi lorsque la pointe du guide est coincée de façon inattendue, entre de façon intempestive en contact avec un objet solide dans le bois (fig. 12) ou est utilisée de façon incorrecte pour amorcer une plongée ou un perçage.

Plus la force de la réaction du choc de recul est forte, plus il est difficile pour l'utilisateur de contrôler la tronçonneuse.

De nombreux facteurs déterminent l'apparition et la force de la réaction de choc de recul. Le type du guide et de la chaîne utilisés jouent également un rôle dans la force de la réaction de choc de recul.

La vitesse à laquelle la chaîne entre en contact avec l'objet.

La force de choc de recul est proportionnelle à l'impact.

L'angle de contact entre la pointe du guide et le corps étranger (fig. 11).

Le choc de recul est plus marqué dans le quadrant supérieur de la pointe du guide.

Les modèles de chaîne DOLMAR sont conçus pour réduire les forces de choc de recul.

Les limiteurs de profondeurs:

L'abaissement incorrect des limiteurs de profondeur augmente également le risque de choc de recul.

Affûtage des plaquettes de coupe de la chaîne:

ATTENTION!

Une chaîne émoussée ou incorrectement affûtée peut augmenter le risque de choc de recul. Ne travaillez qu'avec une chaîne correctement affûtée.

Dispositifs de réduction du risque de blessure par choc de recul.

DOLMAR a mis au point un frein de chaîne spécial destiné à réduire le risque de choc de recul.

Le frein de chaîne augmente la sécurité du travail, c.-à-d. que lorsque la chaîne remonte brusquement, la chaîne s'arrête de tourner en l'espace d'une fraction de seconde. Une protection main située sur le levier de débrayage du frein de chaîne et une poignée arrière munie d'une protection protègent en permanence les mains de l'utilisateur.

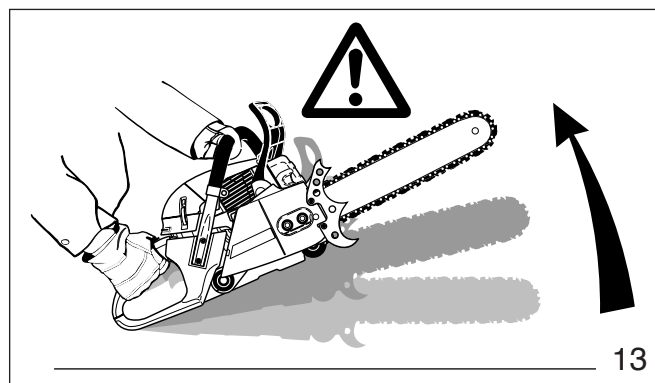
La tendance au choc de recul augmente proportionnellement au rayon ou à la taille de la pointe du guide. DOLMAR a mis au point des guides avec une pointe à petit rayon qui réduisent la tendance au choc de recul.

ATTENTION!

Aucun frein de chaîne ne peut empêcher le choc de recul.

Ces freins ne sont conçus que pour arrêter la chaîne lorsqu'ils sont actionnés.

Pour garantir un fonctionnement fiable du frein de chaîne, il faut l'entretenir correctement. Par ailleurs, la distance entre l'utilisateur et le guide doit être suffisante pour que le frein de chaîne ait le temps de réagir et d'arrêter la chaîne avant un éventuel contact avec l'utilisateur.



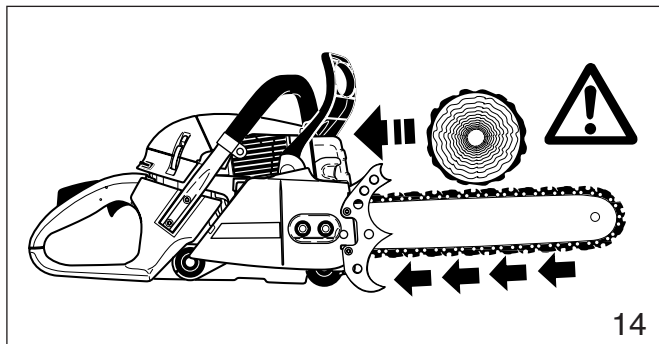
Pour éviter le choc de recul

Le meilleur moyen de se protéger contre les blessures dues au choc de recul est d'éviter les situations qui le favorisent :

1. Tenez fermement la tronçonneuse à deux mains et assurez toujours une prise ferme.
2. Sachez toujours où se trouve la pointe du guide.
3. Ne faites jamais entrer la pointe du guide en contact avec un objet quelconque. Ne coupez pas les branches avec la pointe du guide. Soyez particulièrement prudent avec les petites branches dures, les broussailles et les jeunes arbres de petites dimensions car ils peuvent facilement se prendre dans la chaîne.
4. Ne coupez pas les bras tendus.
5. Ne coupez pas au-dessus de la hauteur d'épaules.
6. Commencez la coupe et continuez plein gaz.
7. Ne coupez qu'un rondin à la fois.
8. Soyez extrêmement prudent lorsque vous rentrez dans une coupe déjà existante.
9. N'essayez pas les coupes en plongée (cf. page 50) si vous n'avez pas l'expérience de ces techniques.
10. Soyez toujours attentif à un déplacement du rondin ou aux autres forces qui pourraient fermer la coupe et coincer la chaîne.
11. Assurez un entretien correct de la chaîne. Ne travaillez qu'avec une chaîne bien affûtée et correctement tendue.
12. Tenez-vous à côté de la coupe de la tronçonneuse.

Le recul:

Le recul se produit lorsque la chaîne se trouvant sur la partie supérieure du guide est arrêtée subitement lorsqu'elle est coincée, prise ou rencontre un corps étranger dans le bois. La réaction de la chaîne pousse la tronçonneuse directement vers l'utilisateur, lui faisant perdre le contrôle de la tronçonneuse. Le recul se produit souvent lorsque l'on coupe avec la partie supérieure du guide (fig. 14).



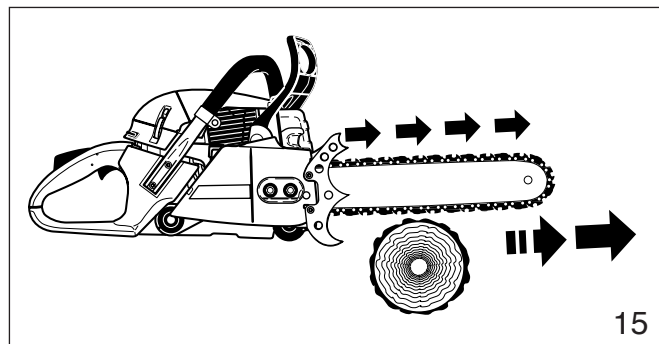
Pour éviter le recul

1. Soyez attentif aux forces ou aux situations dans lesquelles le bois peut coincer la partie supérieure de la chaîne.
2. Ne coupez pas plus d'un rondin à la fois.
3. Ne tordez pas la tronçonneuse lorsque vous retirez le guide d'une coupe en plongée ou par dessous (figures 25 à 27 et 33, pages 50 et 52) car la chaîne peut être coincée.

La traction:

La traction se produit lorsque la chaîne se trouvant sur la partie inférieure du guide est arrêtée subitement lorsqu'elle est coincée, prise ou rencontre un corps étranger dans le bois (fig. 15). La réaction de la chaîne tire la tronçonneuse vers l'avant, faisant perdre à l'utilisateur le contrôle de la tronçonneuse.

La traction se produit souvent lorsque la barre à griffe de la scie n'est pas maintenue fermement contre l'arbre ou la branche et lorsque la chaîne ne tourne pas à pleine vitesse lorsqu'elle entre en contact avec le bois.



ATTENTION!

Soyez extrêmement prudent lorsque vous coupez des broussailles et des jeunes arbres de petites dimensions car ils peuvent facilement se prendre dans la chaîne et vous tirer en vous faisant perdre l'équilibre.

Pour éviter la traction

1. Amorcez toujours une coupe avec la chaîne tournant à pleine vitesse et la barre à griffe en contact avec le bois.
2. Il est également possible d'éviter la traction en utilisant des coins en plastique pour ouvrir l'entaille ou la coupe.

Techniques de coupe

Abattage

L'abattage est la coupe d'un arbre sur pied.

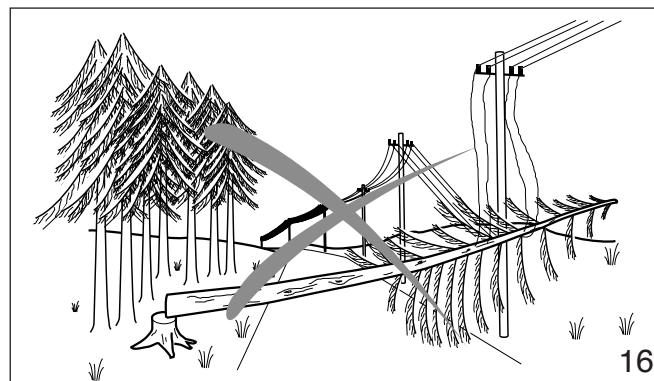
Avant d'abattre un arbre, prenez en considération toutes les conditions pouvant influencer le sens de la chute, à savoir:

le sens voulu de la chute,
l'inclinaison normale de l'arbre,
une structure de branchages particulièrement marquée, les arbres et obstacles environnants,
la direction et la vitesse du vent.

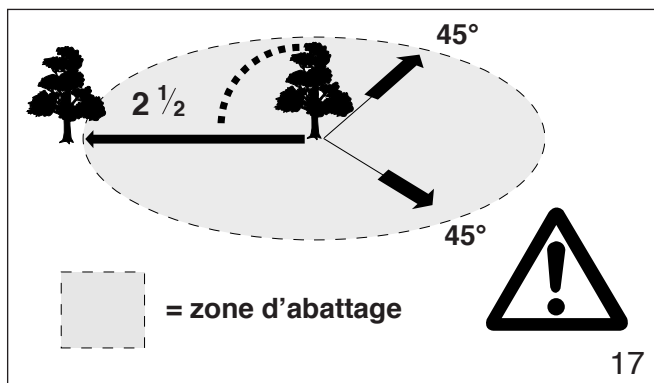
ATTENTION!

Examinez toujours l'état général de l'arbre. Cherchez les traces de pourriture dans le tronc. S'il est pourri à l'intérieur, il peut se rompre et tomber sur l'utilisateur pendant la coupe.

Cherchez aussi les branches cassées ou mortes qui pourraient être détachées par les vibrations et tomber sur l'utilisateur. En cas d'abattage en terrain incliné, l'utilisateur doit se trouver au-dessus de l'arbre.



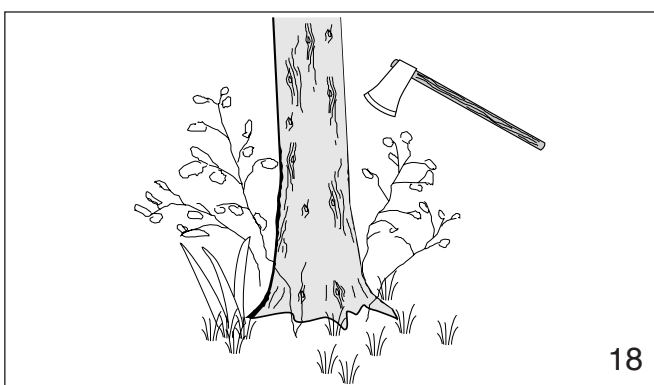
En cas d'abattage à proximité de routes, de voies ferrées et de lignes électriques, etc., prenez des précautions supplémentaires (cf. fig. 16). Informez la police, la régie d'électricité ou la compagnie de chemin de fer avant de commencer le travail.



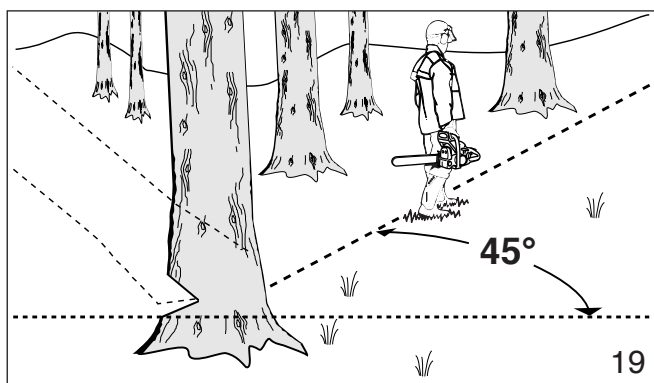
Lors de l'abattage, respectez une distance d'au moins 2 fois et demi la hauteur de l'arbre entre l'arbre et la personne la plus proche (cf. fig. 17).

Remarque: Tout avertissement peut être couvert par le bruit de votre moteur.

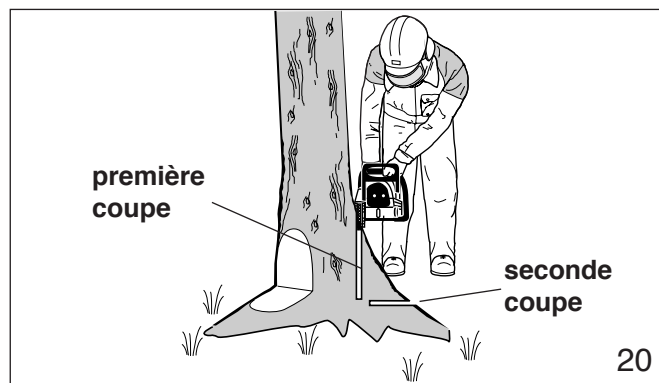
Instructions d'abattage:



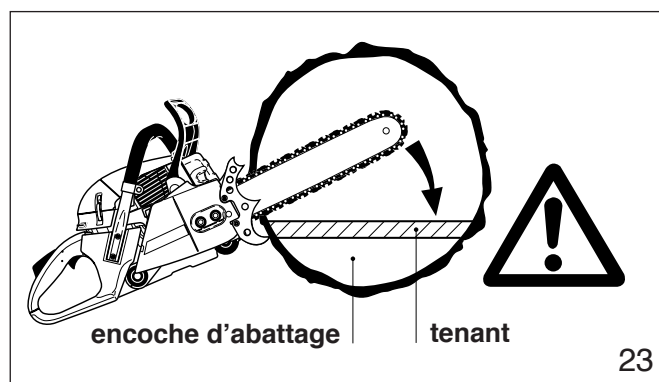
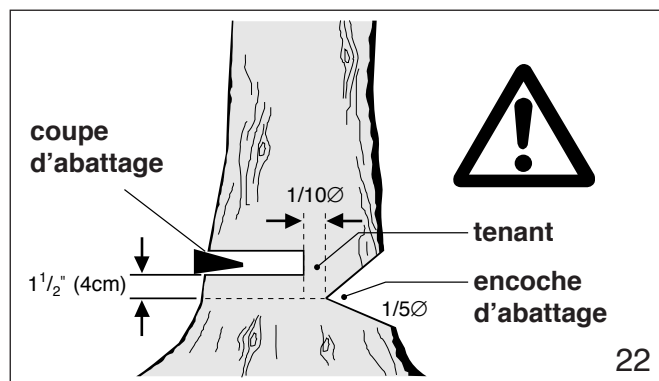
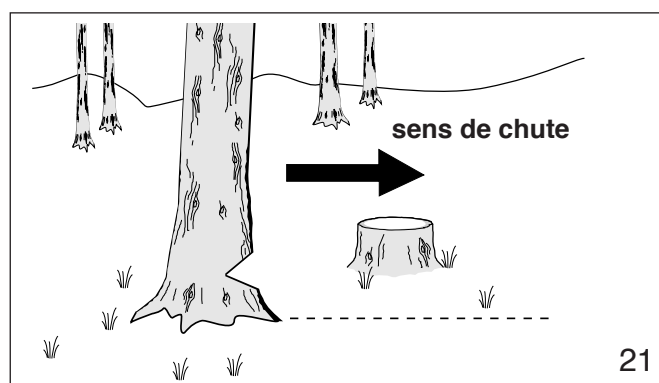
Dégagez dans un premier temps la base de l'arbre et la zone de travail des branches et broussailles gênantes et nettoyez la partie inférieure de l'arbre à la hache (cf. fig. 18).



Etablissez ensuite une voie de repli et dégagez-la de tous les obstacles. Cette voie doit être opposée à la direction prévue de la chute de l'arbre et avoir un angle de 45° (fig. 19). Il faut aussi choisir une seconde voie. Placez tous les outils et l'ensemble du matériel en sécurité à une distance suffisante de l'arbre mais pas sur la voie de repli.



Si l'arbre a de grosses racines latérales, coupez dans les plus grandes racines, d'abord verticalement puis horizontalement et enlevez le morceau ainsi découpé (fig. 20).



Déterminez ensuite l'emplacement de l'encoche d'abattage („camembert“) (fig. 21). Lorsqu'elle est correctement positionnée, l'encoche d'abattage détermine dans quelle direction l'arbre va tomber. Elle doit être pratiquée perpendiculairement à la ligne de chute aussi près que possible du sol. Coupez l'encoche d'abattage à une profondeur comprise entre un tiers et un quart du diamètre de l'arbre (fig. 22). Elle ne doit jamais être plus haute que profonde. Pratiquez l'encoche d'abattage avec grand soin.

Amorcez la coupe d'abattage légèrement plus haut que l'encoche d'abattage sur le côté opposé de l'arbre (fig. 22). Coupez ensuite horizontalement dans la direction de l'encoche d'abattage. Appliquez la tronçonneuse avec ses griffes directement derrière la partie de bois non coupée et coupez en direction de l'encoche d'abattage (fig. 23). Laissez une portion non coupée égale à environ 1/10 du diamètre de l'arbre. Cette portion constitue le tenant (fig. 23). Ne coupez pas le tenant car vous ne pourriez plus contrôler la direction de la chute. Si nécessaire, enfoncez des coins dans la coupe d'abattage pour contrôler le sens de la chute. Les coins doivent être en bois, en métal léger ou en plastique mais jamais en acier, car ils peuvent entraîner une réaction de choc de recul et détériorer la chaîne.

Restez toujours sur le côté de l'arbre qui s'abat. Lorsque l'arbre commence à s'abattre, coupez le moteur, retirez le guide et éloignez-vous sur la voie de repli que vous avez préparée. Faites attention aux chutes de branches.

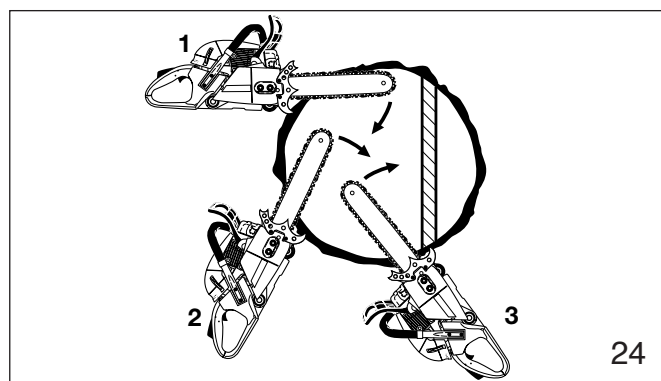
ATTENTION!

Soyez extrêmement prudent avec les arbres partiellement abattus qui ont un soutien médiocre. Si l'arbre reste en suspens ou si pour une raison ou une autre il ne tombe pas complètement, posez la tronçonneuse de côté et tirez l'arbre à l'aide d'un treuil à câble, d'un palan ou d'un tracteur. Si vous essayez de l'abattre complètement en le coupant à la tronçonneuse, vous risquez de vous blesser.

Méthode de sectionnement

ATTENTION!

Pour abattre un arbre dont le diamètre est supérieur à la longueur du guide, il faut utiliser la méthode de sectionnement ou de coupe en plongée. Ces méthodes sont extrêmement dangereuses car elles utilisent la pointe du guide et peuvent entraîner des réactions de choc de recul. Ces techniques ne doivent être utilisées que par des professionnels ayant reçu une formation appropriée.

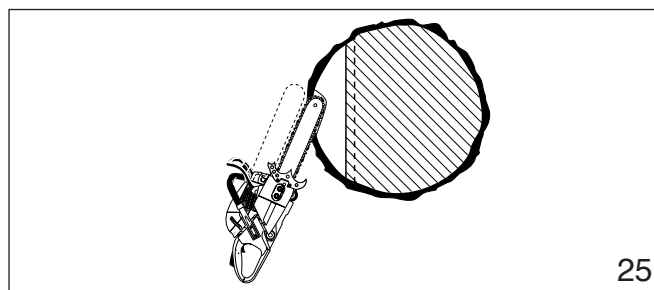


Pour la méthode de sectionnement (fig. 24), pratiquez la première coupe en faisant pivoter le guide vers le tenant. Ensuite, en utilisant la griffe du butoir comme un pivot, repositionnez la tronçonneuse pour la coupe suivante. Évitez de repositionner la tronçonneuse plus que c'est nécessaire.

Lorsque vous repositionnez la tronçonneuse pour la coupe suivante, maintenez le guide complètement en gagé dans l'encoche pour que la coupe d'abattage soit droite. Si la tronçonneuse commence à se coincer, enfoncez un coin pour ouvrir la coupe. A la dernière coupe, ne coupez pas le tenant.

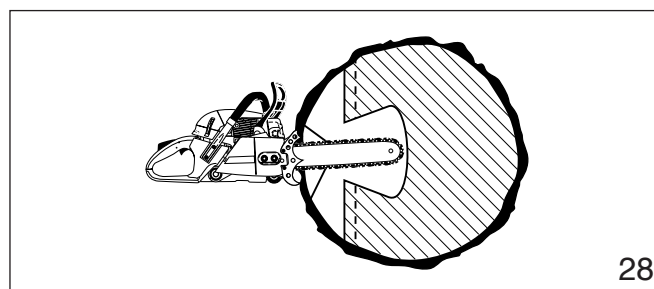
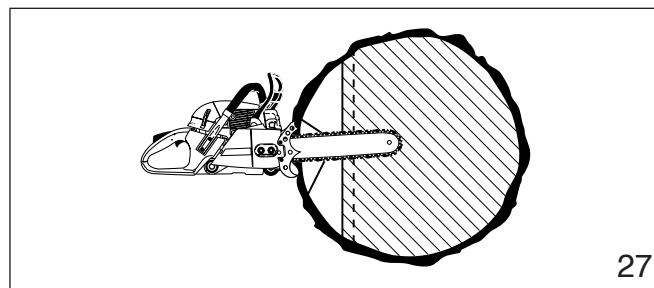
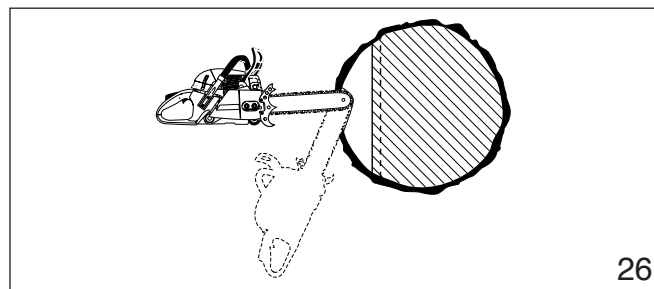
Méthode de coupe en plongée

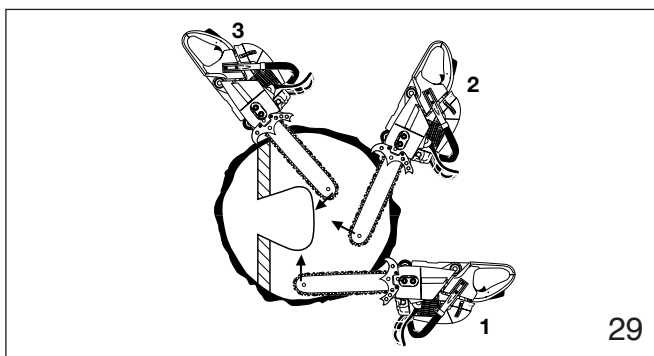
Les arbres d'un diamètre supérieur à deux fois la longueur du guide nécessitent de mettre en oeuvre la méthode de coupe en plongée avant de faire la coupe d'abattage. Dans un premier temps, coupez une encoche d'abattage grande et large. Faites une coupe en plongée au centre de l'encoche. On procède à la coupe en plongée avec la pointe du guide. Commencez la coupe en plongée en appliquant la partie inférieure de la pointe du guide sur l'arbre selon un angle (fig. 25). Coupez jusqu'à ce que la profondeur de l'encoche soit à peu près égale à la largeur du guide (fig. 26). Ensuite, orientez la scie dans la direction de l'endroit où l'évidement doit être creusé.



Mettez les gaz à fond et introduisez le guide dans le tronc (fig. 27).

Agrandissez la coupe en plongée comme indiqué sur l'illustration (fig. 28).





ATTENTION!

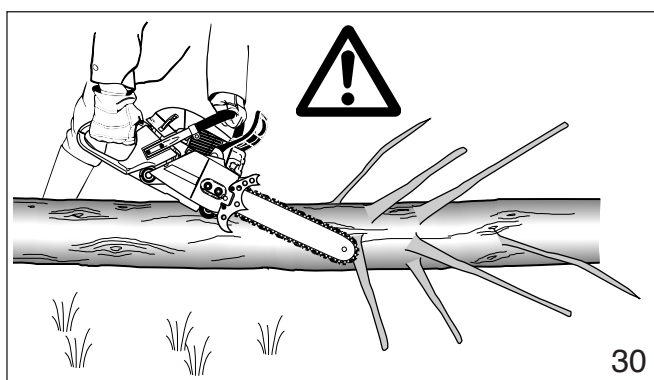
A ce point, il y a un très grand danger de choc de recul. Il faut être extrêmement prudent pour garder le contrôle de la tronçonneuse. Pour faire la coupe d'abattage, suivez la méthode de sectionnement décrite précédemment (fig. 29). Si vous n'avez pas l'expérience du travail avec une tronçonneuse, n'essayez pas de faire de coupe en plongée. Demandez l'assistance d'un professionnel.

Ebranchage

L'ébranchage consiste à couper les branches d'un arbre abattu.

ATTENTION!

Le risque de choc de recul est très grand pendant l'ébranchage. Ne travaillez pas avec la pointe du guide. Soyez extrêmement prudent et évitez tout contact entre la pointe du guide et le tronc ou les branches. Ne montez pas sur le tronc que vous êtes en train d'ébrancher car il pourrait rouler ou vous pourriez glisser.



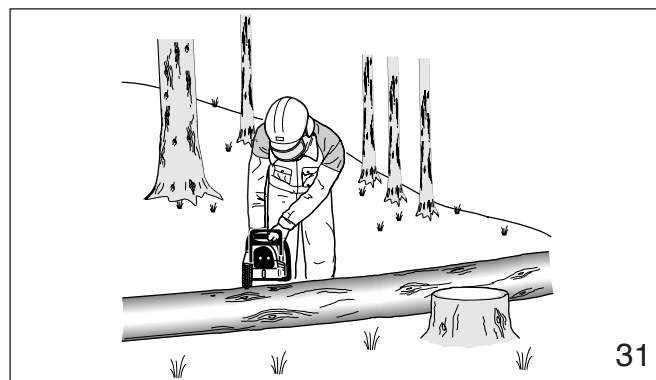
Commencez l'ébranchage en laissant les branches inférieures pour maintenir le tronc à une certaine distance du sol (fig. 30). Ne coupez pas les branches pendantes par dessous. La tronçonneuse pourrait être coincée ou la branche pourrait tomber, vous faisant perdre le contrôle de la tronçonneuse. Si le guide est coincé, arrêtez le moteur et retirez la tronçonneuse en soulevant la branche.

ATTENTION!

Soyez extrêmement prudent lorsque vous coupez des branches qui forcent. Les branches peuvent sauter vers l'utilisateur et entraîner une perte de contrôle de la tronçonneuse ou blesser l'utilisateur.

Débitage

Le débitage consiste à découper un rondin en plusieurs morceaux.



ATTENTION!

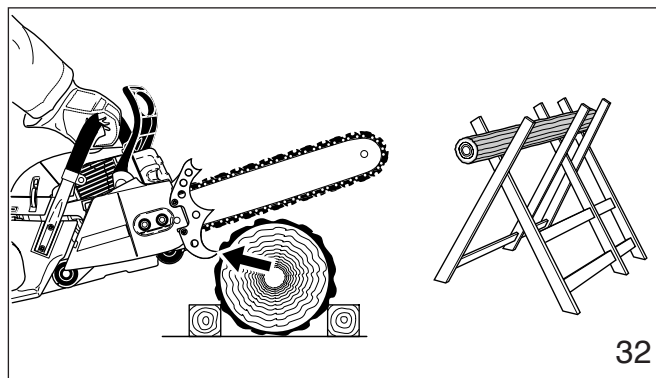
1. Ne montez pas sur le rondin que vous êtes en train de débiter. Assurez-vous que le rondin ne peut pas descendre la pente. En cas de débitage en terrain incliné, l'utilisateur doit se trouver au-dessus du rondin (cf. fig. 31). Faites attention aux rondins qui roulent.

ATTENTION!

2. Ne coupez qu'un rondin à la fois.

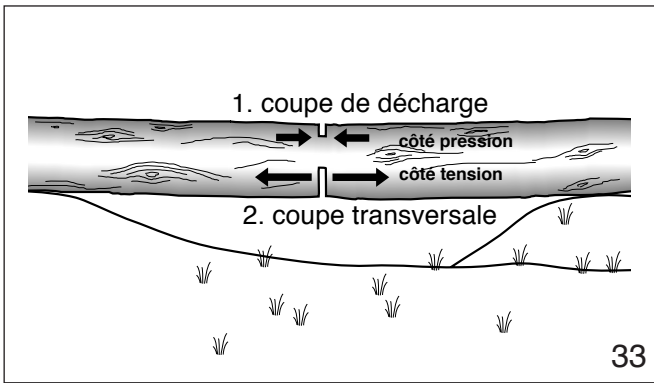
ATTENTION!

3. Il faut être très prudent pour couper le bois en éclats car des échardes acérées peuvent être entraînées par la tronçonneuse et projetées vers l'utilisateur.

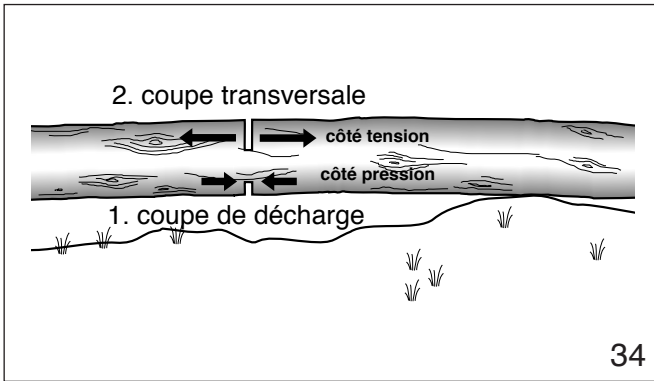


ATTENTION!

4. Pour couper les petits rondins, utilisez un chevalet (fig. 32). Empêchez toute autre personne de tenir le rondin. Ne maintenez jamais le rondin avec la jambe ou le pied.



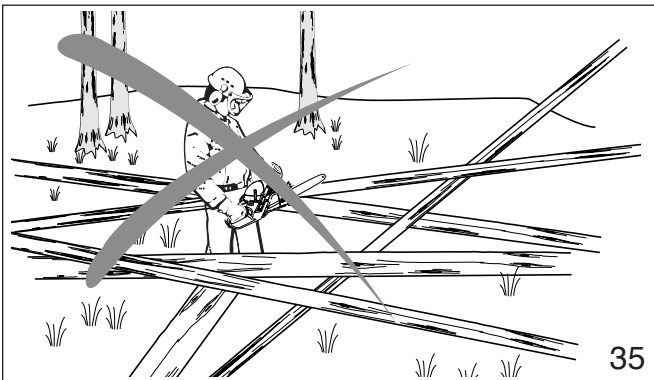
33



34

ATTENTION!

- Lorsque vous coupez des rondins qui forcent, il faut être extrêmement prudent pour éviter que la tronçonneuse soit coincée. La première coupe est pratiquée sur le côté comprimé pour soulager la tension du rondin (cf. fig 33, 34). On procède ensuite à la coupe de débitage de la façon indiquée. Si la tronçonneuse est coincée, arrêtez le moteur et retirez-la du rondin.



35

ATTENTION!

- Le travail dans une zone où les rondins, les branches et les racines sont enchevêtrés (p.ex. dans une zone où les arbres ont été abattus par le vent, fig. 35) ne doit être fait que par des professionnels ayant reçu une formation appropriée. Le travail dans une zone où les arbres ont été abattus par le vent est très dangereux.

ATTENTION!

- Amenez les rondins dans une zone dégagée avant de commencer le débitage. Tirez d'abord les rondins exposés et dégagés.

Entretien et réparation

N'utilisez jamais une tronçonneuse endommagée, incorrectement réglée ou incomplètement ou incorrectement assemblée. Respectez les instructions d'entretien et de réparation du chapitre correspondant du présent mode d'emploi.

ATTENTION!

Avant de commencer toute opération d'entretien, de réparation ou de nettoyage de la tronçonneuse, il faut toujours arrêter le moteur et s'assurer que la chaîne est arrêtée. Laisser refroidir la tronçonneuse avant les travaux d'entretien (risque de brûlure)! Ne procédez pas à des opérations d'entretien ou de réparation qui ne figurent pas dans ce mode d'emploi. Confiez-les uniquement à votre agence technique DOLMAR.

Entretien et stockage de la tronçonneuse

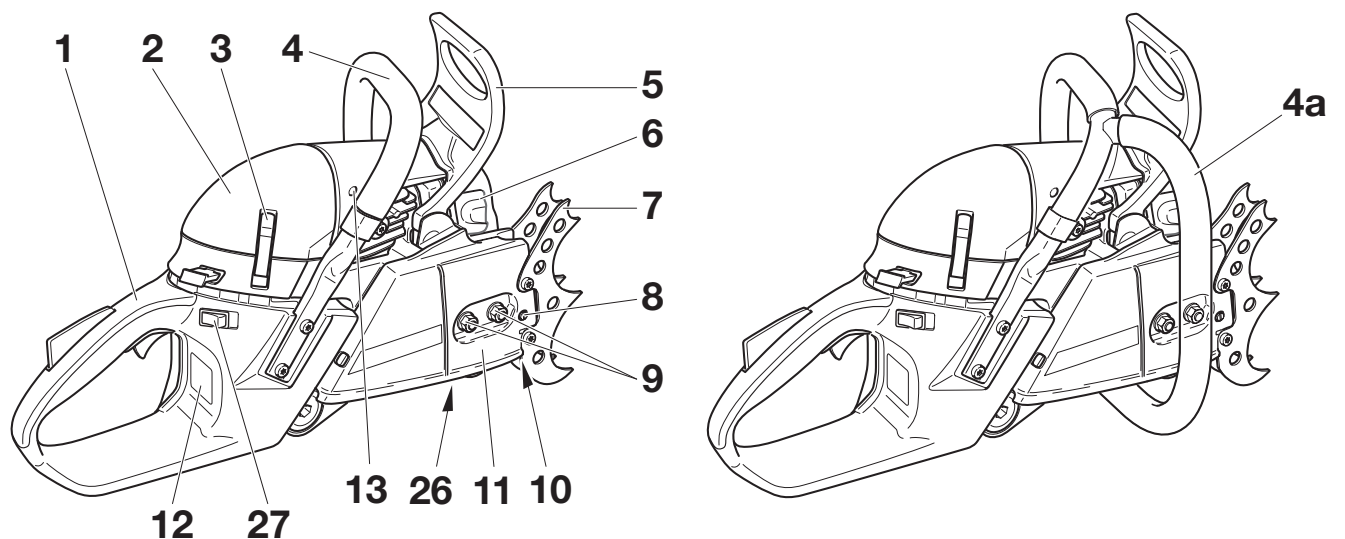
Maintenez la chaîne, le guide et le pignon propres et lubrifiés ; changez les chaînes et les pignons usés.

La chaîne doit toujours être correctement affûtée. On reconnaît que la chaîne est émoussée au fait que le bois tendre est difficile à couper et que des traces de brûlure apparaissent sur le bois.

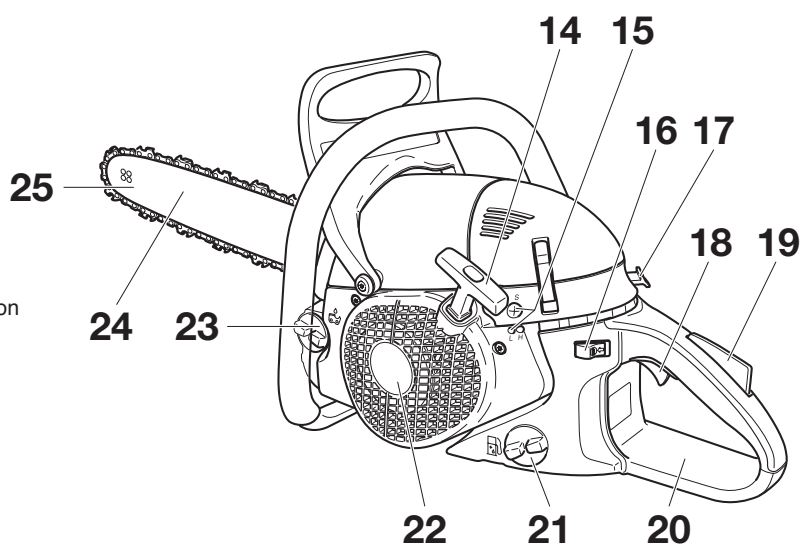
Assurez-vous que la chaîne est toujours correctement tendue. Après chaque utilisation, resserrez tous les écrous, boulons et vis à l'exception des vis de réglage du carburateur.

Assurez-vous que la bougie et le câble d'allumage sont toujours propres et bien fixés.

Conservez les tronçonneuses en hauteur ou sous clé hors de portée des enfants.



Plaque signalétique



à indiquer lors de commande de pièces de rechange!

- | | |
|--|--|
| <ul style="list-style-type: none"> 1 Poignée 2 Couvercle du filtre 3 Clip de fermeture du capot de filtre 4 Poignée-étrier (4a modèle avec poignée circulaire) 5 Protège-main (déclencheur pour frein de chaîne) 6 Silencieux avec pare-étincelles 7 Rive dentée (Butée à griffe pour maintenir fermement la tronçonneuse contre le bois) 8 Vis de serrage de la chaîne 9 Ecrous de fixation 10 Arrête chaîne 11 Protection roue à chaîne 12 Plaque signalétique 13 Soupape de décompression 14 Poignée de lancement | <ul style="list-style-type: none"> 15 Vis de réglage „S-L-H“ pour le carburateur 16 Commutateur I/Stop 17 Choke (étrangleur) 18 Levier de gaz 19 Étrangleur 20 Protège-main 21 Bouchon de fermeture du réservoir carburant 22 Carter ventilateur avec dispositif de lancement 23 Bouchon de fermeture du réservoir huile 24 Guide de la chaîne de la scie 25 Chaîne de sciage 26 Vis de réglage p. pompe à huile (face inférieure) 27 Bouton pour chauffage de poignée (uniquement sur les appareils de type « H ») |
|--|--|

Caractéristiques techniques

		PS-7310	PS-7910
Cylindrée	cu. in (cm ³)	4.4 (72.6)	4.8 (78.5)
Alésage	inch (mm)	1.97 (50)	2.04 (52)
Course	inch (mm)	1.45 (37)	1.45 (37)
Puissance max. en fonction du régime	hp / rpm	5.4 / 10,000	5.7 / 10,000
Couple max. en fonction du régime	Nm / rpm	4.5 / 7,000	4.7 / 7,000
Régime de limitation avec guide et chaîne	rpm	12,800	12,800
Vitesse de rotation à vide	rpm	2,500	2,500
Vitesse de rotation d'embrayage	rpm	3,200	3,200
Niveau sonore à pleine charge mesuré aux oreilles de l'opérateur selon ANSI B 175.1	db(A)	101.4	101.4
Niveau sonore pour une personne voisine (à une distance de 50ft/15 m) selon ANSI B 175.1	db(A)	78.7	78.7
Carburateur (à membrane)	Type	ZAMA avec capuchons limiteurs	
Dispositif d'allumage	Type	électronique	
Bougie d'allumage	Type	NGK BPMR 7A	
Ecartement électrodes	inch (mm)	.020 (0.5)	
ou bougie d'allumage	Type	BOSCH WSR-6F	
Consommation carburant/puissance max. selon ISO 7293	kg/h	1.9	2.0
Consommation spéc./puissance max. selon ISO 7293	g/kWh	460	460
Capacité réservoir carburant	floz	25.36	
Capacité réservoir huile	floz	14.20	
Dosage mélange (carburant/huile 2 temps)			
- avec utilisation huile de haute performance DOLMAR		50:1	
- avec utilisation autre huile synthétique		50:1 (échelle de qualité JASO FC ou ISO-L-EGD)	
Frein de chaîne		manuel / choc de recul	
Pas roue à chaîne	inch	3/8	
Nombre de dents	Z	7	
Type de chaîne (voir extrait de la liste des pièces de rechange)		099	
Pas/épaisseur maillon entraîneur	inch	3/8 / .058	
Guide longueur de coupe	inch	15 / 18 / 20 / 24 / 28	
Type de guide de chaîne (voir extrait de la liste des pièces de rechange)			
Poids (réservoir vide, sans guide et chaîne)	lbs	14.7 / 15.2 ¹⁾ / 15.6 ²⁾	14.7 / 15.2 ¹⁾ / 15.6 ²⁾

¹⁾ Avec chauffage de poignée.

²⁾ Avec chauffage de poignée et poignée circulaire.

ATTENTION:

Cette tronçonneuse à chaîne peut entraîner un rebond risquant de blesser l'utilisateur. N'utilisez cette tronçonneuse à chaîne que si vous avez des besoins importants de coupe et suffisamment acquis d'expérience, notamment en ce qui concerne les rebonds éventuels. Les tronçonneuses à chaîne présentant des risques de rebond assez réduits sont également disponibles.

MISE EN ROUTE



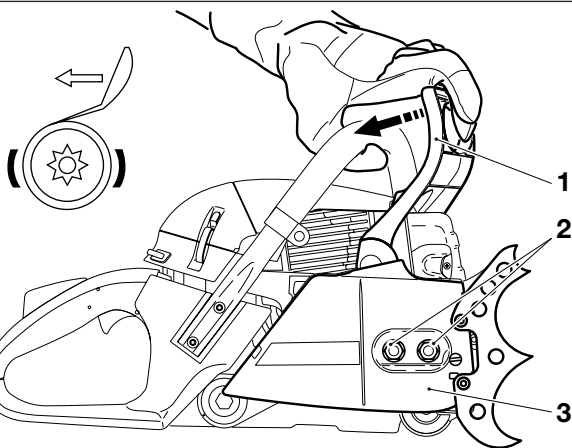
ATTENTION:

Pour tous travaux effectués sur le guide de la chaîne de sciage, le moteur doit être impérativement arrêté et la fiche de bougie doit être enlevée (voir paragraphe pour le remplacement de la bougie) et le port de gants de protection est obligatoire!

ATTENTION:

La tronçonneuse ne peut être démarrée qu'après le montage complet et le contrôle effectué!

A



Montage du guide et de la chaîne de sciage

Utiliser la clé combinée livrée avec la machine pour les travaux suivants.

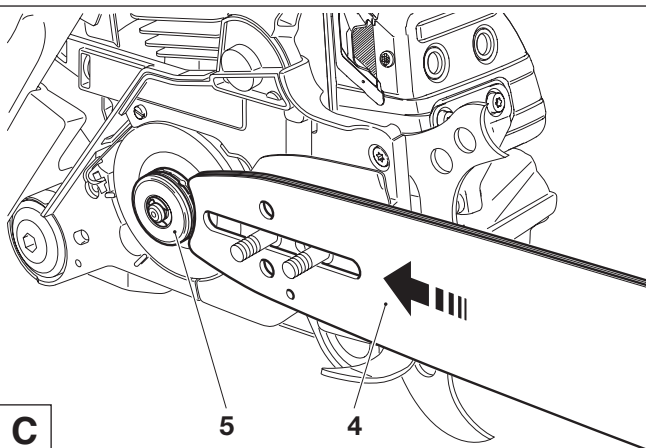
Placer la tronçonneuse sur un support stable et exécuter les opérations suivantes pour le montage de la chaîne de sciage et du guide de la chaîne.

Desserrer le frein de chaîne. Pour cela, tirer le protège-main (1) dans le sens de la flèche.

Dévisser les écrous de fixation (2).

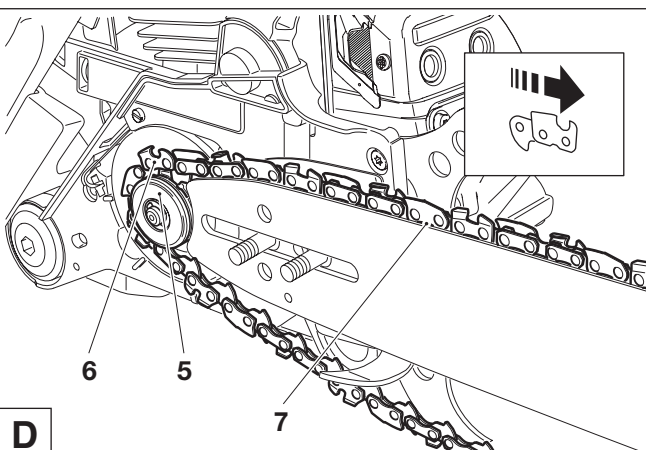
Retirer la protection de la roue à chaîne (3).

B



Poser la chaîne de sciage (4) et la pousser contre la roue à chaîne (5) dans le sens de la flèche.

C



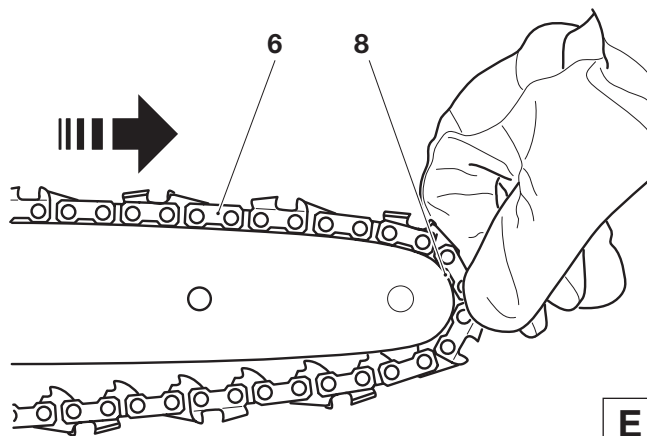
Poser la chaîne de sciage (6) sur le plateau (5). Introduire avec la main droite la chaîne de sciage dans la rainure de guidage supérieure du guide de la chaîne (7).

Attention:

Les arêtes coupantes de la chaîne de sciage doivent être dirigées dans le sens de la flèche sur la partie supérieure du guide !

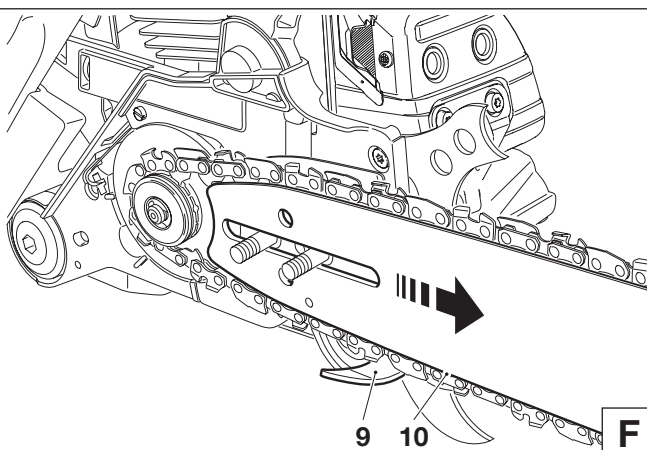
D

Guider la chaîne de sciage (6) autour de l'étoile de renvoi (8) du guide de la chaîne, en tirant légèrement la chaîne de sciage dans le sens de la flèche.



Poser la chaîne de sciage au-dessus de l'intercepteur de chaîne (9).

Tendre le rail dans le sens de la flèche de façon à ce que la chaîne de sciage soit contre la face inférieure du rail (10).

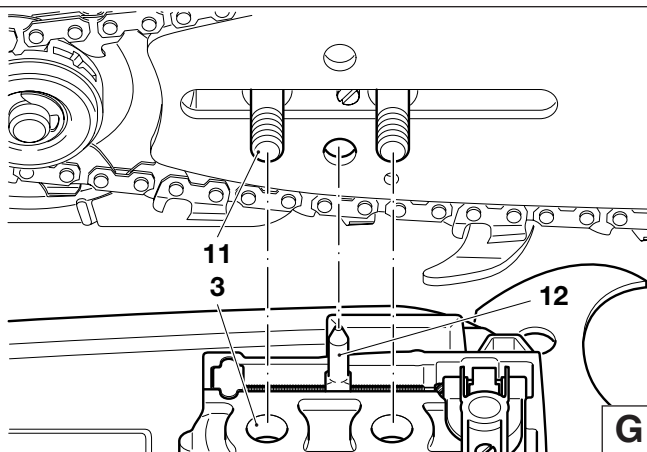


Aligner les trous de réception de la protection de la roue à chaîne (3) sur les goujons (11).

En tournant la vis de tension de chaîne (H/13), faire correspondre le goujon de tension de chaîne (12) au trou percé de la chaîne.

Poser la protection de la roue à chaîne.

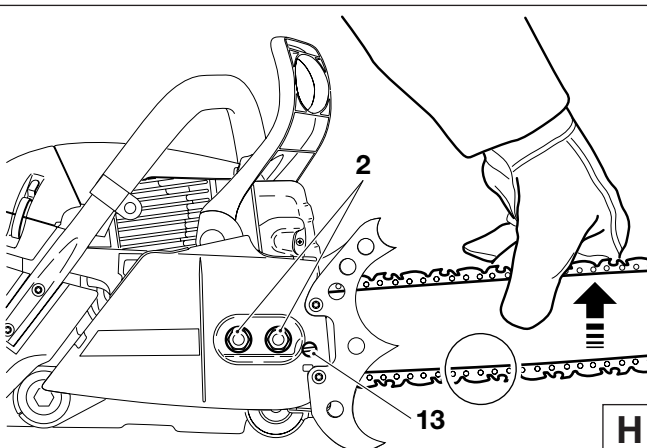
Serrer les écrous de fixation (H/2) à la main.

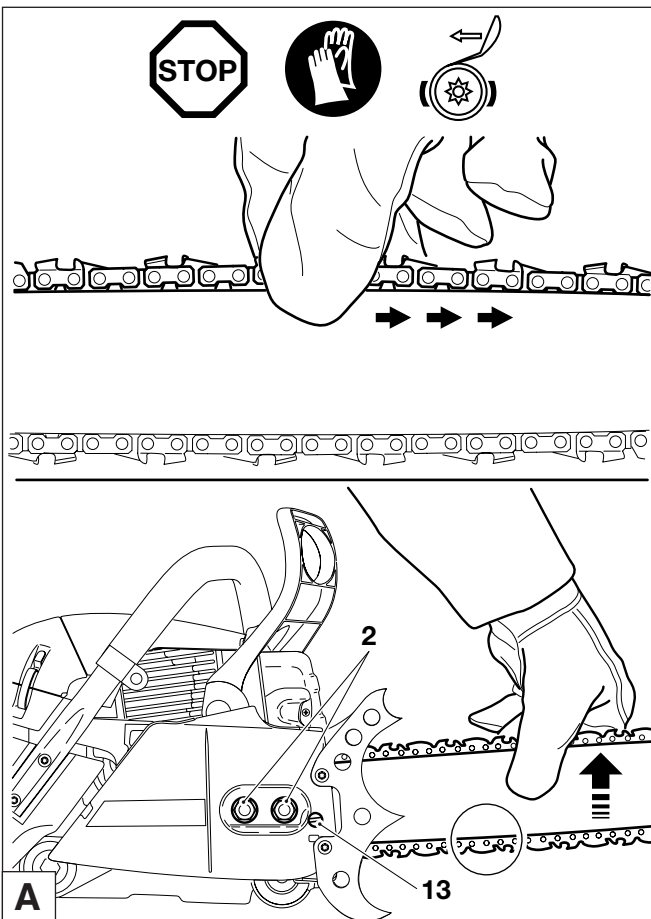


Tendre la chaîne de sciage

Relever légèrement la pointe du guide de la chaîne de sciage et tourner la vis de tension de la chaîne (13) vers la droite (dans le sens des aiguilles d'une montre) jusqu'à ce que la chaîne s'applique sur la face inférieure du rail (voir cercle).

Continuer à relever la pointe du guide et serrer les écrous de fixation (2) à bloc avec la clé combinée.





Contrôle de la tension de la chaîne

Une tension correcte de la chaîne est réalisée lorsque la chaîne s'applique sur le rail inférieur et qu'elle peut encore être légèrement écartée du guide à la main.

Ce faisant, le frein de la chaîne doit être libéré.

Contrôler fréquemment la tension de la chaîne, les chaînes neuves ayant tendance à s'allonger!

Par conséquent, vérifier souvent la tension de la chaîne le moteur étant arrêté.

REMARQUE:

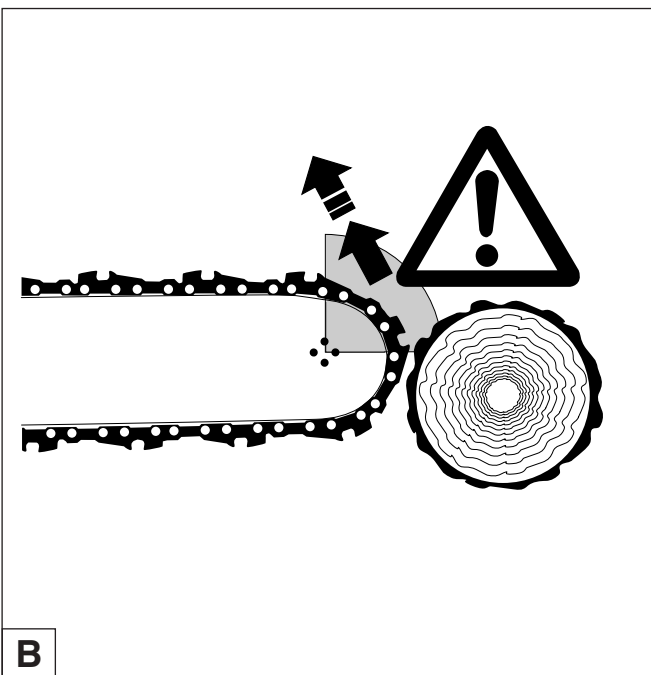
En pratique, on devrait utiliser alternativement 2 à 3 chaînes de sciage.

Pour atteindre une usure régulière des rails, on devra retourner le guide de la chaîne lors du changement de la chaîne.

Retendre la chaîne de sciage

Desserrer les écrous de fixation (2) d'un tour environ au moyen de la clé universelle. Lever légèrement la pointe de la chaîne de sciage et tourner la vis de réglage (13) vers la droite (dans le sens des aiguilles) jusqu'à ce que la chaîne de sciage repose de nouveau sur la partie inférieure du guide (voir cercle).

Continuer de soulever la pointe de la chaîne de sciage et bien resserrer les écrous de fixation (2) avec la clé universelle.



Frein de chaîne

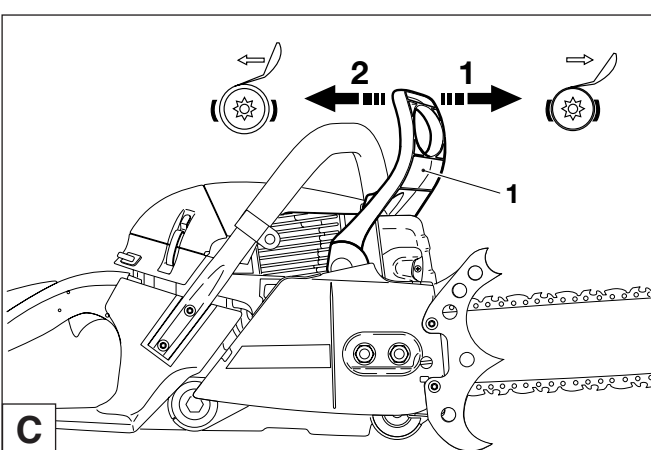
Les modèles DOLMAR PS-7310 et PS-7910 sont équipés en série d'un frein de chaîne à déclenchement d'accélération. Si un contrecoup se produit (kickback), dû à un heurt de la pointe du guide contre le bois (voir chapitre «CONSIGNES DE SECURITE» à la page 46, 47), le frein de chaîne se déclenche automatiquement en cas de contrecoup suffisamment fort par inertie de masse.

La chaîne de sciage est interrompue pendant une fraction de seconde.

Le frein de chaîne n'est prévue que pour des cas d'urgence et pour le blocage de la chaîne avant le démarrage.

ATTENTION : Ne jamais utiliser la tronçonneuse quand le frein de chaîne est déclenché (sauf pendant le contrôle, voir chaîne « Contrôle du frein de chaîne »), sinon la tronçonneuse risque de s'abîmer en très peu de temps !

Desserrer impérativement le frein de chaîne avant de commencer à travailler !



Enclencher le frein de chaîne (bloquer)

En cas de contrecoup suffisamment fort, le frein de chaîne **se déclenche automatiquement** dû à l'accélération rapide de la chaîne de sciage et à l'inertie de masse du protège-main (1).

Lors d'un enclenchement **manuel** le protège-main (1) est poussé par la main gauche en direction de la pointe du guide de la chaîne (flèche 1).

Libérer le frein à main

Tirer le protège-main (1) en direction de la poignée en étrier (flèche 2) jusqu'à son enclenchement. Le frein à main est libéré.

Carburants

ATTENTION:

La tronçonneuse ne fonctionne qu'avec des produits de pétrole (essence et huile)!

Faites particulièrement attention lorsque vous manipulez de l'essence.

Il est interdit de fumer et de faire du feu (risque d'explosion).

Mélange carburant

Le moteur de cet appareil est un moteur à deux temps de haute capacité refroidi à l'air. Ce moteur est alimenté par un mélange de carburant et d'huile moteur deux temps.

La conception du moteur a été réalisée pour fonctionner à l'essence normal sans plomb avec un degré d'octane mini-mum de 91 (R+M)/2. Si un tel type de carburant n'était pas disponible, on peut aussi utiliser un carburant d'un degré d'octane plus élevé. Le moteur n'en subit aucun dommage.

Pour un fonctionnement optimal, ainsi que pour la protection de la santé et de l'environnement, utilisez toujours un carburant sans plomb.

Le graissage du moteur est réalisé par une huile moteur à deux temps synthétique pour moteurs à deux temps refroidis à l'air (échelle de qualité JASO FC ou ISO-L-EGD) qui est additionnée au carburant. En usine le moteur a été réglé pour l'huile moteur deux temps très performante de DOLMAR avec un rapport de mélange de 50:1. Ceci garantit une longue durée de vie et un fonctionnement fiable avec un très faible dégagement de fumées du moteur.

L'huile deux temps de haute performance DOLMAR est disponible dans un bidon à la contenance suivante:

2.6 oz N° de commande 986 100 100
6.4 oz N° de commande 986 100 101

En cas de non-disponibilité d'huile deux temps de haute performance DOLMAR, il est impératif d'observer un rapport de mélange de 50:1 en cas d'utilisation d'autres huiles synthétique deux temps. Sinon, un fonctionnement impeccable ne peut être garanti.

Réalisation du rapport correct du mélange

50:1 En utilisant l'huile deux temps de haute performance DOLMAR, ceci signifie mélanger 50 parties d'essence avec une partie d'huile

50:1 En utilisant une autre huile synthétique moteur deux temps (échelle de qualité JASO FC ou ISO-L-EGD), ceci signifie mélanger 50 parties d'essence avec une partie d'huile

REMARQUE: Pour fabriquer le mélange essence-huile, il faut toujours mélanger préalablement le volume d'huile prévu dans la moitié du volume d'essence, puis y ajouter le volume d'essence restant. Avant de remplir la tronçonneuse avec le mélange, bien secouer le mélange terminé.



Carburant	50:1 DOLMAR oil	50:1 other oil
1.0 Us-gal. (3.7 l)	2.6 floz. (75 cm ³)	
2.5 Us-gal. (9.4 l)	6.4 floz. (189 cm ³)	
5.0 Us-gal. (18.9 l)	12.8 floz. (378 cm ³)	

Il n'est pas raisonnable que par excès de conscience de sécurité d'augmenter la part d'huile au delà du rapport indiqué du mélange, le résultat serait plus de résidus de combustion ce qui polluerait l'environnement et boucherait la sortie d'échappement dans le cylindre, ainsi que le silencieux. En outre, la consommation de carburant augmenterait et la puissance diminuerait.

Stockage de carburants

Les carburants ne sont stockables que de manière restreinte. Le carburant et les mélanges de carburant vieillissent par évaporation sous l'effet de températures élevées. Le carburant et les mélanges de carburant stockés pendant une trop longue durée peuvent entraîner des problèmes de démarrage et endommager le moteur. N'acheter que la quantité de carburant à consommer en l'espace de quelques mois. Consommer le carburant mélangé en 6-8 semaines en cas de températures élevées.

Ne transporter et ne stocker le carburant et l'huile de chaîne que dans des nourrices agréées et portant les indications nécessaires. Stocker le carburant uniquement au sec, au froid et en toute sécurité!

EVITEZ LE CONTACT AVEC LA PEAU ET LES YEUX

Les produits pétroliers, ainsi que les huiles, dégraissent la peau. Lors d'un contact répété et prolongé la peau se dessèche. Les suites peuvent être différentes maladies de peau. D'autre part, on connaît les réactions allergiques. Le contact avec les yeux de l'huile conduit à des irritations. en cas de contact, rincer immédiatement l'oeil avec de l'eau claire. Si l'irritation continue, consulter immédiatement un médecin.

D

Huile de chaîne de sciage



Pour le graissage de la chaîne de sciage et du rail, il faut utiliser une huile de chaîne avec un additif d'adhérence. L'additif d'adhérence à l'huile de chaîne empêche une rapide jetée de l'huile du dispositif de sciage.

Pour protéger l'environnement, il est conseillé d'utiliser une huile de chaîne biodégradable. Souvent, les instances régionales prescrivent l'utilisation d'huile biodégradables.

L'huile de chaîne de sciage BIOTOP proposée par DOLMAR est fabriquée à base d'huiles végétales sélectionnées et elle est 100% biodégradables. BIOTOP porte comme référence l'ange bleu d'environnement (RAL UZ 48).



L'huile de chaîne BIOTOP est disponible dans les bidons aux contenances suivantes :

1 l N° de commande 980 008 210
5 l N° de commande 980 008 211
20 l N° de commande 980 008 213

L'huile de chaîne biodégradable ne se conserve que pendant un temps limité et devra être utilisée dans un délai de 2 ans après la date de fabrication imprimée.

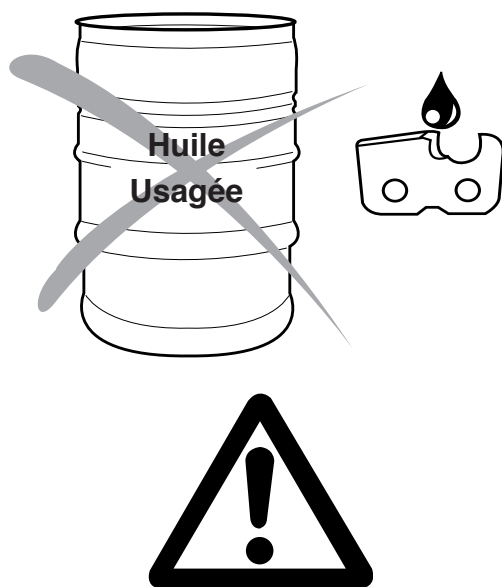
E

Remarque importante pour les huiles de chaîne de sciage bio

Avant une longue mise hors service, le réservoir à huile doit être vidé et rempli ensuite d'un peu d'**huile moteur** (SAE 30). Ensuite, faire marcher la tronçonneuse pendant quelques temps de manière à rincer les restes d'huile bio du réservoir, du système de conduite d'huile et du dispositif de sciage. Cette mesure est indispensable car différentes huiles bio ont tendance à coller ce qui peut

détériorer la pompe à huile ou des éléments d'alimentation d'huile. Lors de la remise en marche, verser à nouveau l'huile de chaîne BIOTOP. Les dommages résultant de l'utilisation d'huiles usagées ou d'huiles de chaîne non appropriées ne sont pas couverts par la garantie.

Votre vendeur spécialisé vous informe sur la manipulation et l'utilisation d'huile de chaîne de sciage.



N'UTILISEZ JAMAIS DE HUILES USAGEES

Une huile usagée est extrêmement dangereuse pour l'environnement!

Les huiles usagées contiennent une grande part de produits connus pour être cancérigènes.

Les souillures dans les huiles usagées amènent une grande usure de la pompe à huile et du dispositif de sciage.

Les dommages résultant de l'utilisation d'huiles usagées ou d'huiles de chaîne non appropriées ne sont pas couverts par la garantie.

Votre vendeur spécialisé vous informe sur la manipulation et l'utilisation d'huile de chaîne de sciage.

EVITEZ LE CONTACT AVEC LA PEAU ET LES YEUX

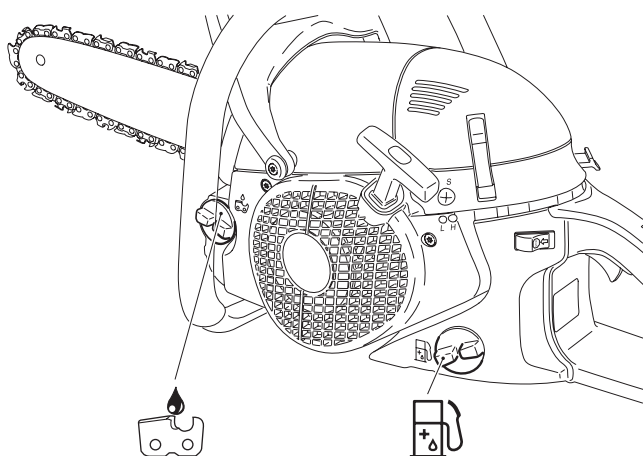
Les produits pétroliers, ainsi que les huiles, dégraissent la peau. Lors d'un contact répété et prolongé la peau se dessèche. Les suites peuvent être différentes maladies de peau. D'autre part, on connaît les réactions allergiques.

Le contact avec les yeux de l'huile conduit à des irritations. En cas de contact, rincer immédiatement l'oeil avec de l'eau claire.

Si l'irritation continue, consulter immédiatement un médecin.

A

Remplissage des réservoirs



Huile de chaîne

Mélange carburant

RESPECTER IMPERATIVEMENT LES REGLES DE SECURITE!

La manipulation de carburants exige une manipulation avec précaution et prudence.

Ne le faire que si le moteur est arrêté! Laisser refroidir la tronçonneuse avant de prendre de l'essence!

Bien nettoyer le pourtour des emplacements de remplissage pour éviter la pénétration de saletés dans le réservoir de mélange de carburant ou d'huile.

Dévisser le bouchon du réservoir et remplir le mélange de carburant ou l'huile jusqu'au bord inférieur de la tubulure de remplissage en prenant soin de ne pas verser à côté le mélange ou l'huile de chaîne.

Revisser fermement le capuchon du réservoir.

Après avoir rempli le réservoir, nettoyer le bouchon fileté, le réservoir et vérifier s'il fuit.

Graissage de la chaîne de sciage

Pour graisser suffisamment la chaîne de sciage, il faut qu'il y ait toujours assez d'huile de chaîne dans le réservoir. Le contenu du réservoir suffit pour environ une demi-heure de marche continue. Vérifier pendant le travail qu'il y a suffisamment d'huile à chaîne dans le réservoir. Si nécessaire, faire l'appoint. **Ne le faire que si le moteur est arrêté!**

B

Vérifier le graissage de la chaîne

Ne jamais scier sans graissage suffisant. Vous risquez sinon de réduire la durée de vie du dispositif de sciage!

Vérifier avant de démarrer le travail la quantité d'huile dans le réservoir, ainsi que le débit d'huile.

Le débit d'huile peut être vérifié de la manière suivante:

Démarrer la tronçonneuse (voir chapitre «Démarrer le moteur»).

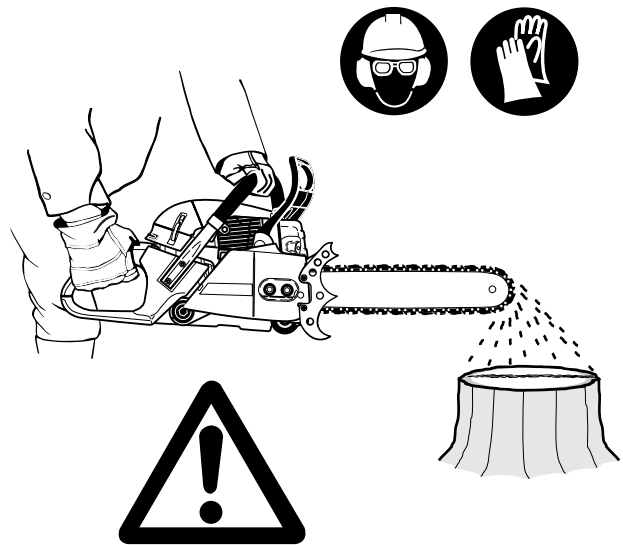
Maintenir la chaîne de sciage en marche env. 6" (15 cm) par dessus une souche d'arbre ou le sol (choisir une base adéquate).

Lorsque le graissage est suffisant, on doit observer une légère trace d'huile par l'huile éjectée. Faire attention à la direction du vent et ne pas s'exposer inutilement à la vapeur d'huile.

Remarque:

Après la mise hors service de la tronçonneuse, il est normal que de petites quantités d'huile de chaîne restant encore dans le système de conduite d'huile et sur le guide s'écoulent encore un certain temps. Il ne s'agit pas d'un défaut dans ce cas.

Utiliser un support adéquat!



C

Réglage du graissage de la chaîne

A effectuer que si le moteur est arrêté!



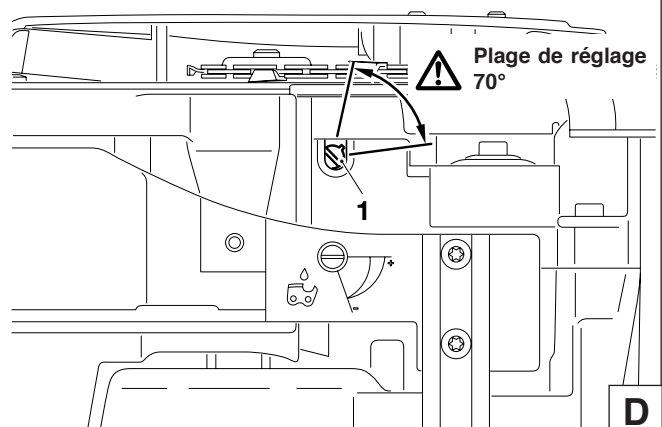
Le débit de l'huile est réglable avec la vis de réglage (1). La vis de réglage se trouve sur le dessous du carter.

La pompe à huile est réglée en usine pour un débit moyen.

Pour modifier le débit avec la tournevis, ajuster le débit par la vis de réglage en:

- tournant à droite pour avoir un débit plus faible
- tournant à gauche pour avoir un débit plus fort.

Même une modification minime du réglage de la vis (1) peut affecter le débit d'huile. Vérifier pendant le travail qu'il y a suffisamment d'huile à chaîne dans le réservoir. Si nécessaire, faire l'appoint.



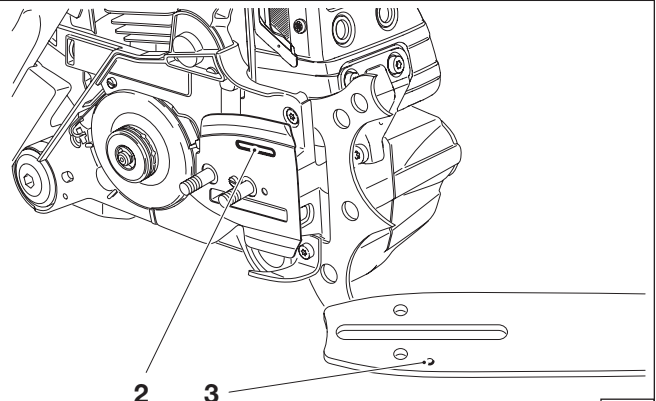
D

Pour que la pompe à huile fonctionne toujours parfaitement, la rainure de guidage d'huile sur le carter du vilebrequin (2), ainsi que les orifices d'entrée d'huile dans le guide de la chaîne (3) doivent régulièrement être nettoyés.

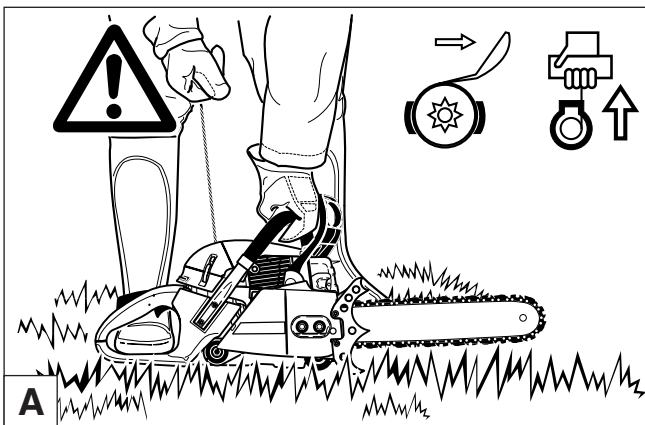
Remarque:

Après la mise hors service de la tronçonneuse, il est normal que de petites quantités d'huile de chaîne restant encore dans le système de conduite d'huile et sur le guide s'écoulent encore un certain temps. Il ne s'agit pas d'un défaut dans ce cas.

Utiliser un support adéquat!



E



Démarrer le moteur

La tronçonneuse ne peut être démarrée qu'après le montage complet et le contrôle effectué!

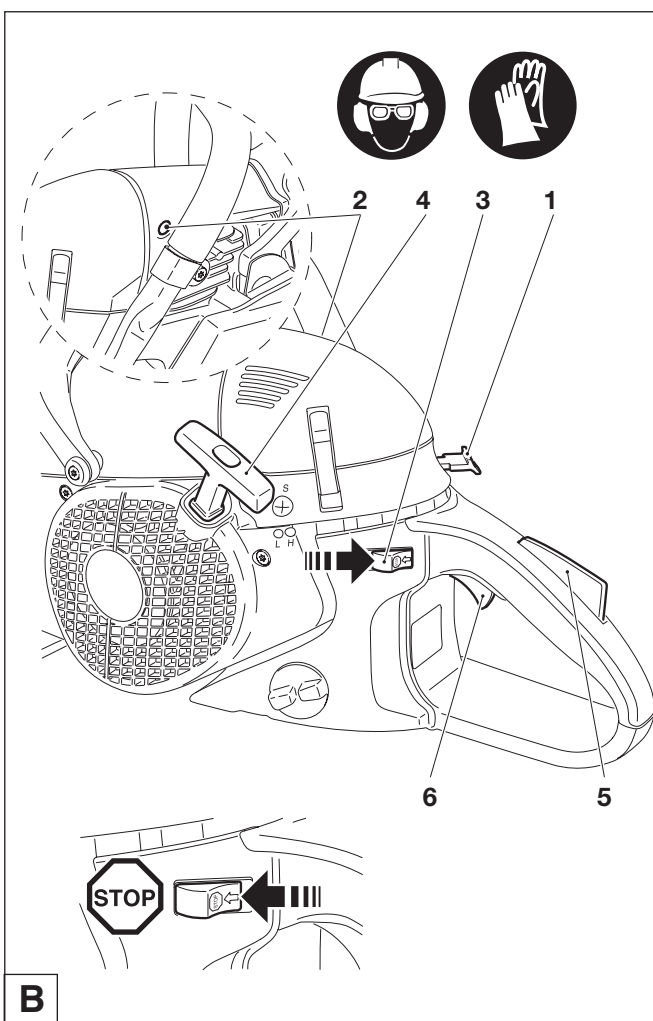
Démarrer le moteur au moins 10 feet (3 m) de l'endroit du réservoir.

Prendre une position stable et sûre, puis placer la tronçonneuse sur le sol pour que le dispositif de sciage soit dégagé.

Libérer le frein de chaîne (bloquer).

Saisir fermement la poignée-étrier avec une main et plaquer la tronçonneuse sur le sol.

Placer la pointe du pied droit dans le protège-main arrière.



Démarrage à froid:

Tirer le starter (1) jusqu'à ressentir qu'il s'enclenche ce qui actionne simultanément l'arrêt d'admission réduite.

Pousser le bouton I/STOP (3) de l'allumage dans le sens de la flèche.

Tirer le cordon de lancement lentement jusqu'à sentir une résistance (le piston se trouve au point mort haut).

Appuyer sur la soupape de décompression (2).

Puis, tirer fortement et rapidement jusqu'au déclenchement du premier allumage audible.

Attention: Ne pas retirer le cordon de lancement de plus de 50 cm et le ramener lentement à la main.

Appuyer sur la soupape de décompression (2).

Enfoncer le starter (1) et tirer de nouveau sur le cordon de lancement. Dès que le moteur tourne, saisir la poignée arrière (cela active l'étrangleur (5)) et tirer l'accélérateur (6). L'arrêt d'admission réduite s'annule et le moteur tourne au ralenti.

Attention : le moteur doit être mis au ralenti dès le démarrage pour éviter d'endommager l'embrayage.

Libérer maintenant le frein de chaîne.

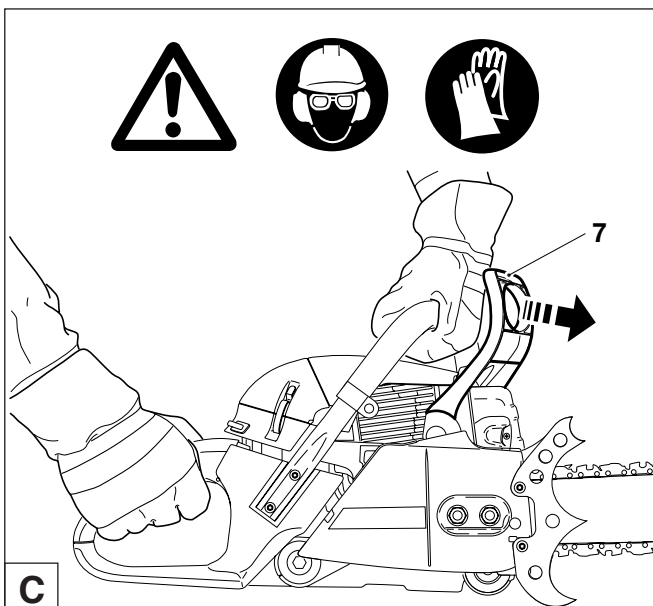


Démarrage à chaud:

Comme décrit comme pour le démarrage à froid, par contre : tirer le starter (1) une fois avant le démarrage et l'enfoncer de nouveau pour activer uniquement l'arrêt d'admission réduite.

Arrêter le moteur

Pousser le bouton I/STOP de l'allumage sur « STOP ».



Vérifier le frein de chaîne

Le frein de chaîne doit être vérifié avant de commencer tous travaux.

Démarrer le moteur comme décrit (prendre une position stable et poser la tronçonneuse sur le sol de façon à ce que le dispositif de sciage soit libre).

Bien tanier la poignée-étrier d'une main, l'autre main étant sur la manette.

Laisser tourner le moteur à mi-vitesse et appuyer sur le protège-mains (7) avec le dos de la main dans la sens de la flèche jusqu'à ce que le frein de chaîne se bloque. La chaîne de sciage doit immédiatement s'immobiliser.

Faire tourner immédiatement le moteur au ralenti et redesserrer le frein de chaîne.

Attention: Si la chaîne de sciage ne s'arrête pas immédiatement après ce contrôle, il ne faut en aucun cas commencer à travailler. Prière de consulter un atelier spécialisé DOLMAR.

Réglage du carburateur

ATTENTION: Le carburateur ne peut être réglé que par un atelier agréé DOLMAR!



DOLMAR



SERVICE

Seules les rectifications au niveau de la vis de réglage (S) peuvent être effectuées par l'utilisateur de l'appareil. Au cas où l'outil de coupe tourne au ralenti (l'accélérateur n'est pas actionné), le réglage du ralenti doit être impérativement rectifié!

Le ralenti ne doit être réglé qu'après l'assemblage complet et le contrôle de l'appareil !

Le réglage du ralenti doit être effectué quand le moteur est chaud, le filtre à air propre et si l'outil de coupe a été correctement monté.

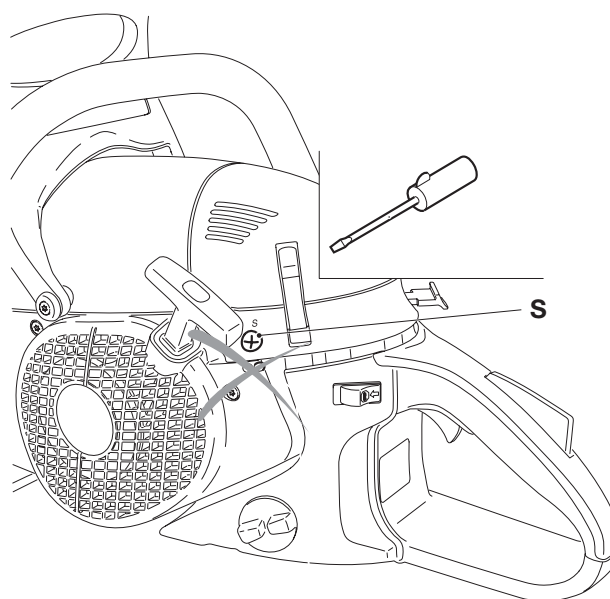
Effectuer le réglage avec un tournevis (largeur de lame de 5/32" (4 mm)).

Régler le ralenti

Dévisser la vis de réglage (S) dans le sens inverse des aiguilles = réduire le ralenti

Visser la vis de réglage (S) dans le sens des aiguilles = augmenter le ralenti

Attention: Ne travailler en aucun cas avec l'appareil si l'outil de coupe ne devait pas s'immobiliser même après avoir rectifié le ralenti. Consulter un atelier de réparation DOLMAR!



D

Fonctionnement en hiver

Pour éviter que le carburant gèle lors de températures basses et en cas d'humidité de l'air élevée et pour atteindre plus rapidement la température de service lors de températures inférieures à + 5°C, de l'air chaud peut être aspiré par le cylindre.


Enlever le capot du filtre (cf. Nettoyage du filtre à air).

Dévisser la cartouche (10) et la mettre en position B pour le fonctionnement en hiver.

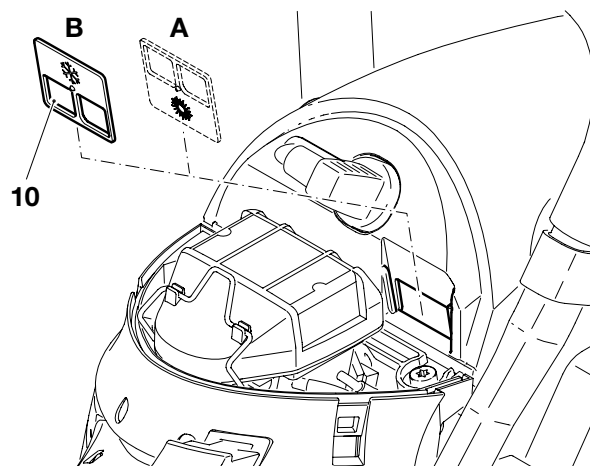
Pour des températures supérieures à + 5°C, de l'air froid doit être impérativement aspiré. **En ne respectant pas cette consigne, le cylindre et le piston peuvent être endommagés!**

Si les températures sont supérieures à + 5°C, mettre la cartouche en position A pour le fonctionnement en temps normal.

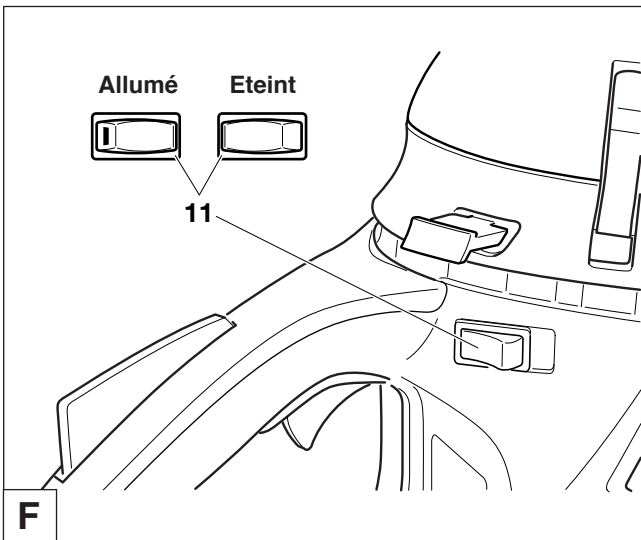
Position A  - Fonctionnement en temps normal

Position B  - Fonctionnement en hiver

Remonter le capot du filtre



E



Chauffage de poignée

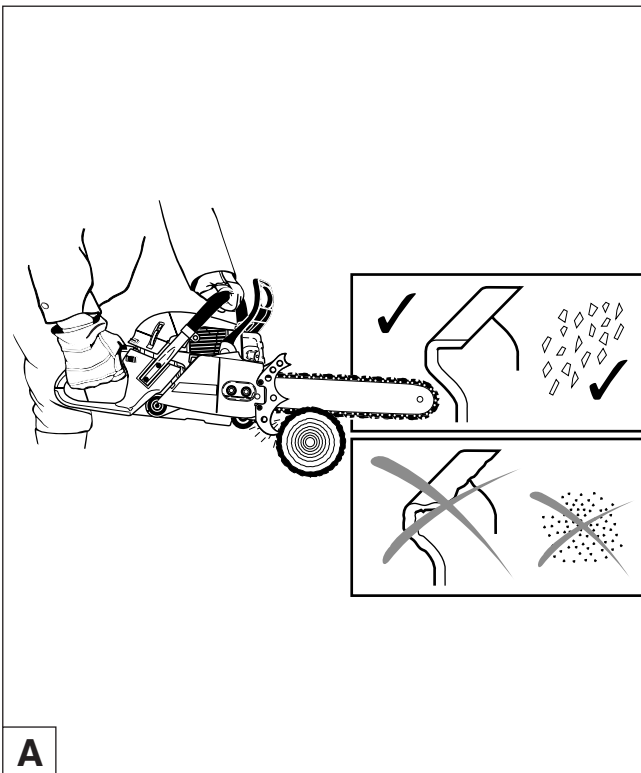


(uniquement sur les appareils de type « H »)

Pour allumer ou éteindre le chauffage de poignée, presser le bouton (11).

Allumé : repère rouge visible sur le bouton

Eteint : repère rouge non visible sur le bouton



TRAVAUX DE MAINTENANCE

Affûtage de la chaîne de sciage



ATTENTION: Pour tous travaux effectués sur le guide de la chaîne de sciage, le moteur doit être impérativement arrêté et la fiche de bougie doit être enlevée (voir paragraphe pour le remplacement de la bougie) et le port de gants de protection est obligatoire!

La chaîne de sciage doit être affûtée lorsque:

les copeaux deviennent farineux en sciant du bois humide.

la chaîne, tout en exerçant une forte pression, ne „tire“ que péniblement dans le bois.

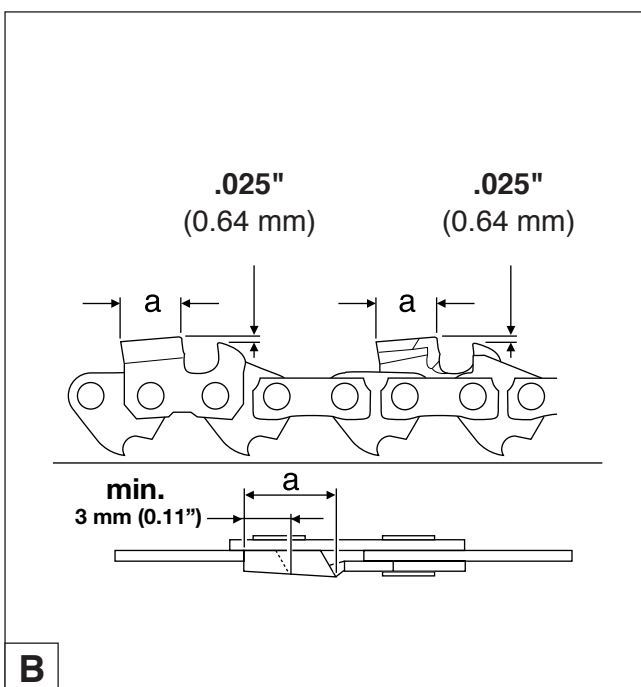
les arêtes de coupe sont visiblement endommagées.

le dispositif de sciage gauchit dans le bois latéralement vers la gauche ou la droite. La raison est un affûtage irrégulier de la chaîne de sciage.

Important: affûter souvent, sans enlever de trop de matériau!

Lors d'un simple affûtage, il suffit souvent de 2 à 3 coups de lime.

Après avoir effectué soi-même plusieurs affûtages, faire affûter la chaîne à l'atelier spécialisé.



Critères d'affûtage :

ATTENTION: N'utiliser que des chaînes et guide permis pour cette tronçonneuse (voir extrait de la liste de pièces de rechange)!

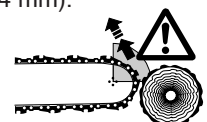
Toutes les dents de rabotage doivent avoir la même longueur (dimension a). Des dents de rabotage de hauteur différente signifient une marche dure de la chaîne et peuvent provoquer des ruptures de chaîne!

Longueur minimale de dent de rabotage = 0.11" (3 mm). Ne pas raffûter la chaîne de sciage lorsque la longueur minimale de dent de rabotage est atteinte. Une nouvelle chaîne de sciage doit être alors montée (voir „extrait de la liste des pièces de rechange“ et chapitre „Nouvelle chaîne de sciage“).

L'écart entre le limiteur de profondeur (nez rond) et l'arête de coupe détermine l'épaisseur du copeau.

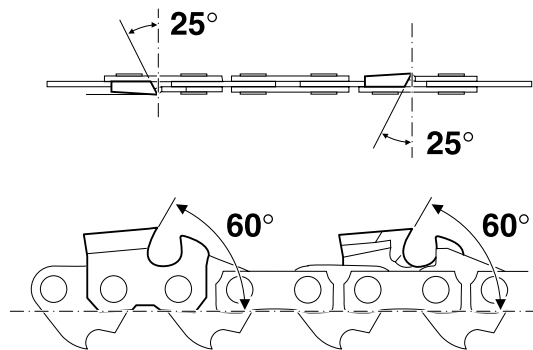
Les meilleurs résultats de coupe sont obtenus avec une distance du limiteur de profondeur de .025" (0.64 mm).

ATTENTION: Une distance trop augmente le danger d'un choc de recul!



L'angle d'affûtage 25° doit être identique pour toutes les dents de rabotage. Des angles différents provoquent une marche irrégulière et rude de la chaîne, augmentent l'usure et aboutissent à des ruptures de chaîne!

L'angle d'arasement de la dent de rabotage 60° résulte de la profondeur de pénétration de la lime ronde. Si la lime prescrite est guidée correctement, l'angle d'arasement correct s'obtient par lui-même.



C

Lime et guidage de la lime

Pour affûter la lime, il faut utiliser un porte-lime spécial avec une lime ronde de chaîne. Les limes rondes normales ne sont pas appropriées. Numéro de commande, voir accessoires.

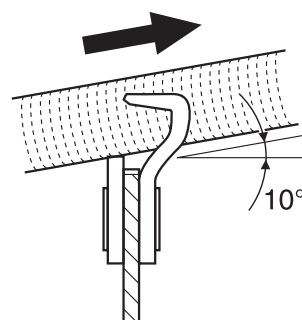
Limer la première moitié de dent de rabotage avec la lime ronde de la chaîne de sciage $\varnothing 7/32''$ (5.5 mm), ensuite $\varnothing 3/16''$ (4.8 mm).

La lime ne doit attaquer que lors de la passe en avant (flèche). Lors du retour, relever la lime du matériel.

La dent de rabotage la plus courte est affûtée la première. La longueur de cette dent est alors la mesure type pour toutes les autres dents de rabotage de la chaîne de sciage.

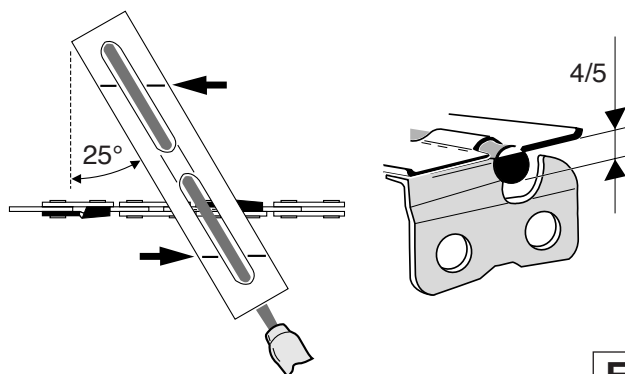
Les nouvelles dents de rabotage doivent être exactement adaptées aux formes des dents usées, ainsi qu'aux surfaces de roulement.

Conduire la lime horizontalement (10° par rapport au guide).



D

Un porte-lime facilite le guidage de la lame, il porte des repères pour l'angle d'affûtage correct de 25° (orienter les repères parallèlement à la chaîne de scie) et limite la profondeur de pénétration (4/5 du diamètre de la lime). Voir accessoires pour le n° de commande.

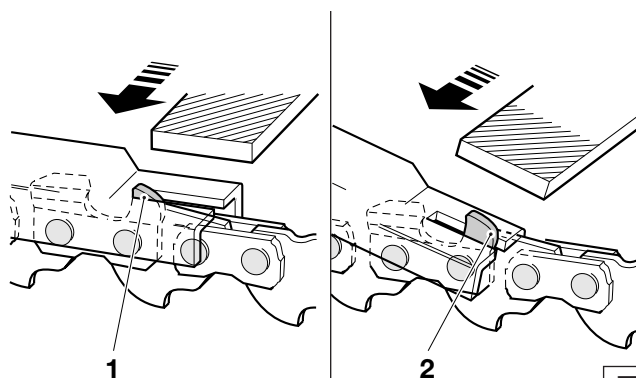


E

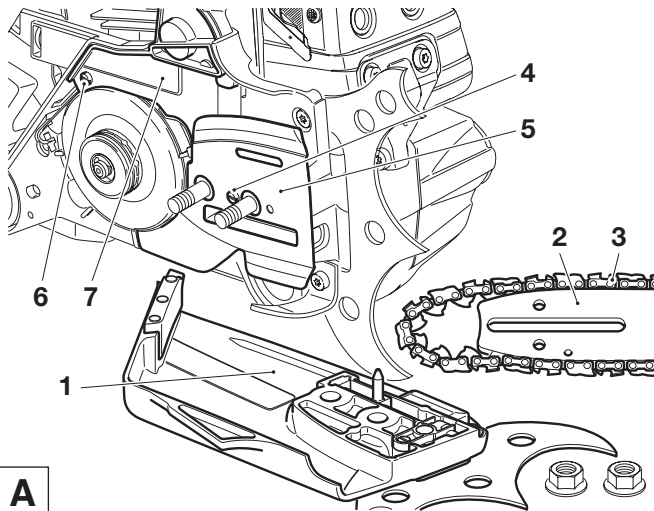
A la suite du nouvel affûtage, vérifier la hauteur du limiteur de profondeur avec la jauge de mesure pour chaîne. Voir accessoires pour le n° de commande.

Enlever avec la lime plate spéciale (1) tout dépassement, même le moindre.

Arrondir à nouveau le limiteur de profondeur à l'avant (2).



F



Nettoyer l'intérieur de la bande de frein de chaîne et de la roue à chaîne

ATTENTION: Pour tous travaux effectués sur le guide de la chaîne de sciage, le moteur doit être impérativement arrêté et la fiche de bougie doit être enlevée (voir paragraphe pour le remplacement de la bougie) et le port de gants de protection est obligatoire!

ATTENTION: La tronçonneuse ne peut être démarrée qu'après le montage complet et le contrôle effectué!

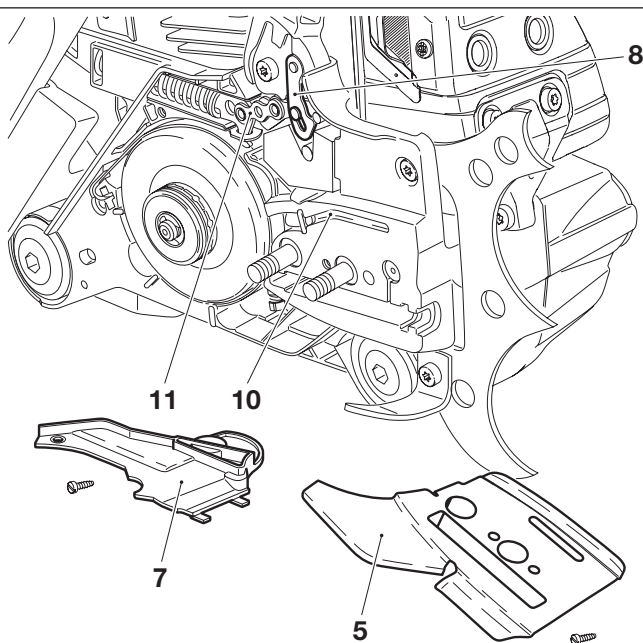
Enlever la protection de roue à chaîne (1) (voir chapitre „MISE EN ROUTE“ B) nettoyer l'intérieur à l'aide d'un pinceau.

Enlever la chaîne de sciage (3) et le guide de chaîne (2).

Dévisser la vis (4) et retirer la plaque de guidage (5).

Dévisser la vis (6) et enlever le couvercle du dispositif de freinage (7).

A



Nettoyer la plaque de guidage (5) et nettoyer le couvercle du dispositif de freinage (7).

Nettoyer tout l'intérieur, notamment la zone du dispositif de freinage (11), au moyen d'un pinceau.

Veiller à ne pas laisser de restes dans la rainure d'ouverture (10).

ATTENTION:

Le levier (8) fixe par le couvercle du dispositif de freinage (7). Avant de monter le couvercle, vérifier la bonne fixation du levier et de la cheville.

Monter d'abord le couvercle du dispositif de freinage (7) et ensuite la plaque de guidage (5).

Montage du guide de chaîne, de la chaîne de sciage et de la protection de la roue à chaîne voir chapitre „MISE EN ROUTE A-H“.

Une fois le montage effectué, vérifier le fonctionnement du frein de chaîne (voir chapitre « Contrôle du frein de chaîne »).

REMARQUE:

Le frein de chaîne est un dispositif de sécurité très important et il est soumis comme chaque pièce à une certaine usure.

Une vérification et une maintenance régulières servent à vous assurer votre propre protection et doivent être effectuées par un atelier spécialisé DOLMAR.

DOLMAR



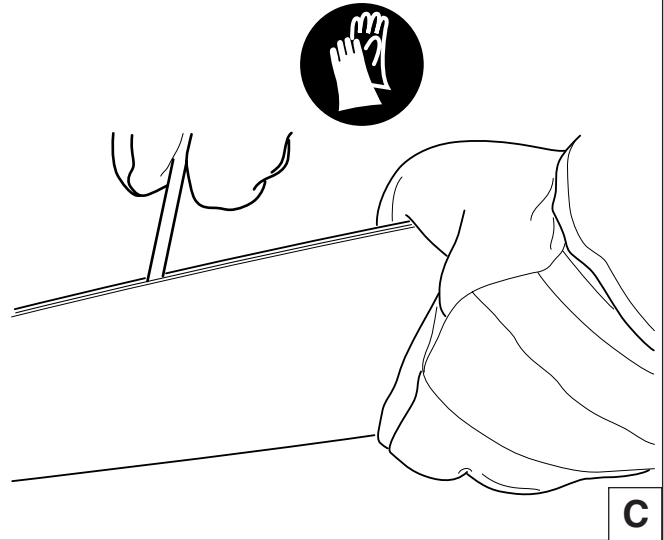
SERVICE

B

Nettoyer le guide de la chaîne

ATTENTION! Porter impérativement des gants de protection.

Les surfaces de roulement du guide de chaîne doivent être régulièrement vérifiées pour voir si elles ne sont pas endommagées et nettoyées avec un outillage adapté.



Nouvelle chaîne de sciage

ATTENTION: N'utiliser que des chaînes et guide permises pour cette tronçonneuse (voir extrait de la liste de pièces de rechange)!

Avant de monter une nouvelle chaîne de sciage, il faut vérifier l'état de la roue à chaîne.

Des roues à chaîne usées (12) provoquent des détériorations sur une nouvelle chaîne de sciage et doivent impérativement être remplacées.

Enlever la protection de roue à chaîne (voir chapitre „MISE EN ROUTE“ B).

Enlever la chaîne de sciage et le guide-rail de chaîne.

Enlever le circlip (13).

ATTENTION : Le circlip saute de la rainure. Le bloquer avec le pouce pour éviter qu'il ne saute.

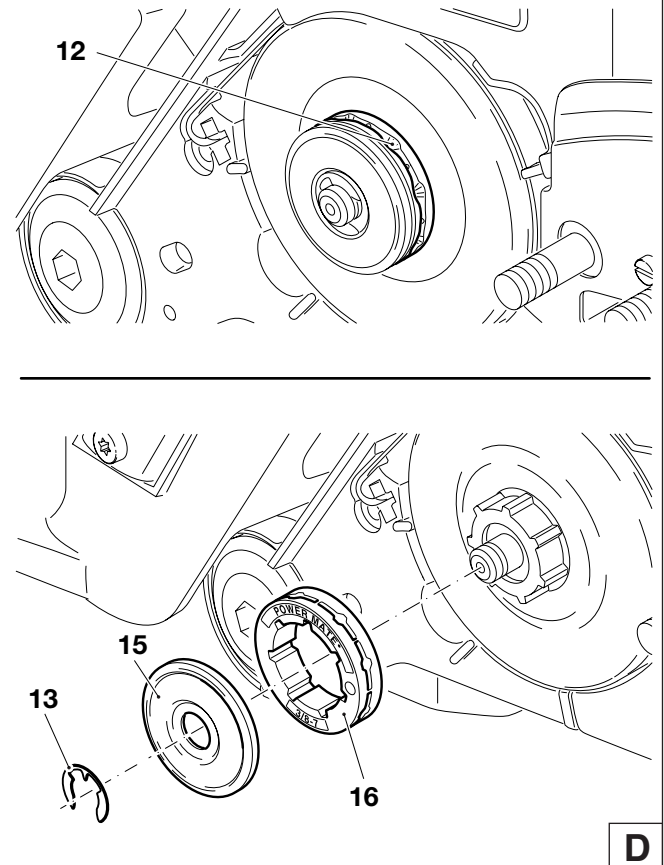
Retirer le disque (15).

Remplacer la roue de chaîne usagée (12) par une roue de chaîne neuve (16) (n° de commande voir « Extrait de la liste des pièces de rechange »).

Monter la nouvelle roue de chaîne, les rondelles de butée et le circlip.

Montage du guide de chaîne, de la chaîne de sciage et de la protection de la roue à chaîne voir chapitre „MISE EN ROUTE A-H“.

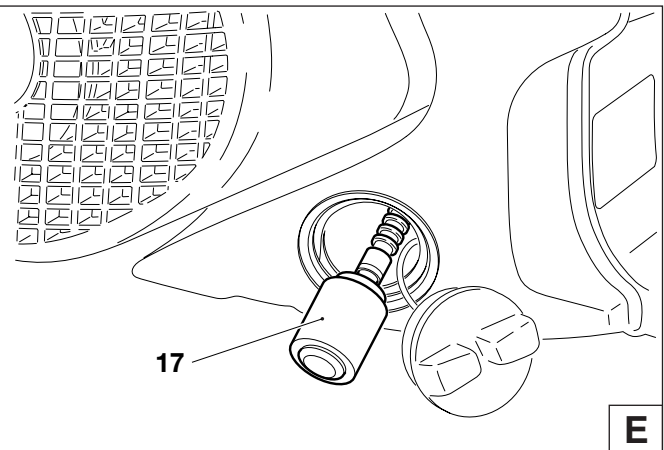
NOTE : Contrôler fréquemment la tension de la chaîne car les nouvelles chaînes de sciage ont en général tendance à s'allonger (voir Contrôle de la tension de la chaîne).

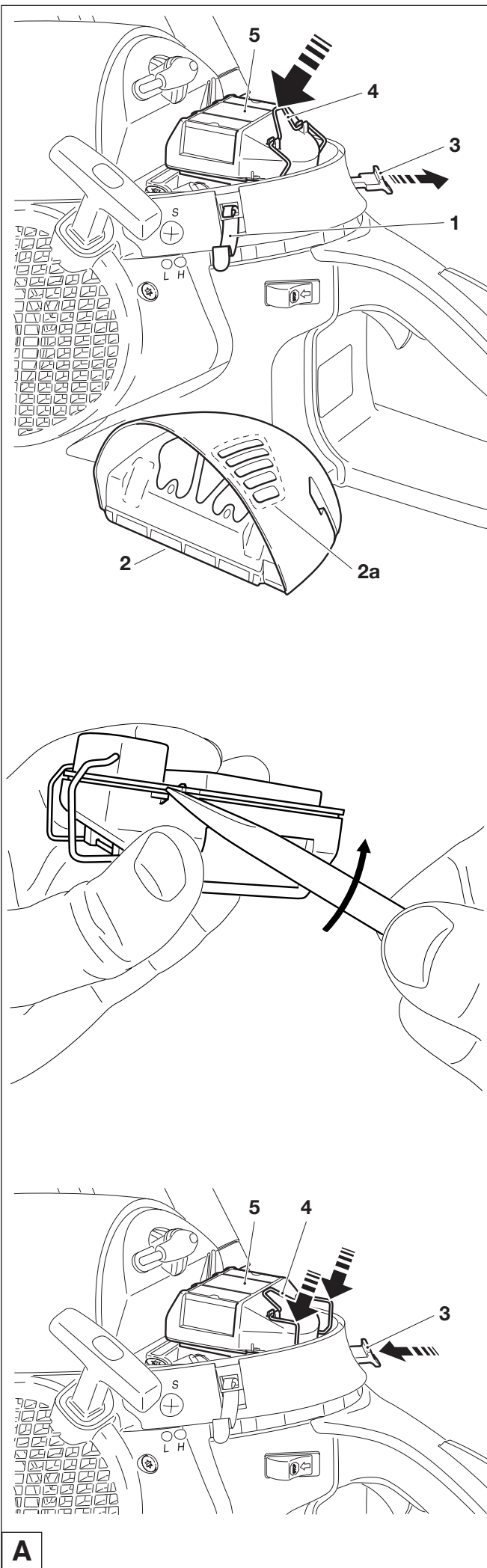


Remplacement du filtre à carburant

Le filtre feutre (17) de la crépine d'aspiration peut se boucher pendant l'utilisation. Il est recommandé de remplacer le filtre à carburant une fois par trimestre pour garantir le bon écoulement du carburant dans le carburateur.

Pour remplacer le filtre à carburant, l'enlever par la tubulure de remplissage du réservoir en utilisant un fil métallique. Courber le fil électrique à une extrémité pour former un crochet.





Nettoyage du filtre d'air



ATTENTION: En cas d'utilisation d'air comprimé pour le nettoyage, utiliser impérativement des lunettes de protection pour éviter toute blessure au niveau des yeux!

Ne pas nettoyer le filtre à air à l'essence.

Retirer les clips de fermeture du capot du filtre (1) avec la clé combinée et enlever le capot du filtre (2).

Retirer le starter (3) pour éviter que des impuretés ne tombent dans le carburateur.

Décrocher la bride du support de filtre à air (4) en pressant dans le sens de la flèche comme montré sur la figure.

Retirer le filtre à air (5) vers le haut.

ATTENTION: Couvrir l'orifice d'aspiration d'un chiffon propre pour empêcher que des particules de saleté ne tombent dans le carburateur.

Utilisation des filtres: Le filtre en voile est destiné aux utilisations sèches ou poussiéreuses. Le filtre en nylon est destiné pour des conditions de travail humides.

Séparer la partie supérieure et inférieure du filtre à air comme montré sur la photo.

Nettoyage du filtre en voile: Frapper le filtre avec précaution ou aspirer doucement de l'intérieur avec de l'air comprimé. Ne pas nettoyer avec une brosse pour ne pas enfoncer la poussière dans le tissu. Laver les filtres en nylon fortement encrassés dans une eau savonneuse tiède avec du produit de nettoyage pour vaisselle courant. Ne nettoyer le filtre en voile que si une perte de puissance sensible survient pendant la coupe. Remplacer le filtre si aucune amélioration n'est sensible après le nettoyage.

Nettoyage du filtre en nylon, crible en nylon dans le capot du filtre et du préfiltre: Nettoyer au moyen d'un pinceau, d'une brosse souple ou de l'intérieur avec de l'air comprimé avec précaution. Laver le filtre en nylon fortement encrassé dans une eau savonneuse mélangée à du produit de nettoyage pour vaisselle courant. En cas de salissure importante, nettoyer souvent (plusieurs fois par jour), car un filtre à air propres garantissent le bon fonctionnement du moteur.

Remarque sur le préfiltre: De plus, les fentes d'aération (2a) peuvent être aussi couvertes par un préfiltre autoadhésif en nylon. Nettoyer la zone en question avant de poser le filtre. Le préfiltre est disponible en option.

Bien sécher le filtre à air.

Rassembler la partie supérieure et inférieure.

Avant de monter le filtre à air, contrôler la présence éventuelle de saletés dans le clapet de l'étrangleur. Le nettoyer si nécessaire avec un pinceau.

ATTENTION: Remplacer aussitôt le filtre à air endommagé! Des morceaux de tissu déchirés et des particules de salissure grossières peuvent détériorer le moteur.

Insérer le filtre à air (5) et presser la bride du support de filtre à air (4) simultanément avec le pouce et l'index jusqu'à ce qu'elle s'enclenche.

Presser le starter (3) et enfoncer une seule fois l'accélérateur pour désactiver la position d'admission réduite.

Poser le capot du filtre (2) et le fixer avec les clips de fermeture (1).

A

Remplacement de bougie



ATTENTION

Les bougies d'allumage ou la fiche de la bougie ne doivent pas être touchés le moteur en marche (haute tension). N'effectuer des travaux de maintenance que si le moteur est arrêté. Risque de brûlure lorsque le moteur est chaud: porter absolument vos gants de protection!

En cas de détérioration du corps isolant, d'usure importante des électrodes resp. d'électrodes très encrassées ou pleines d'huile, il faut procéder à un remplacement de la bougie.

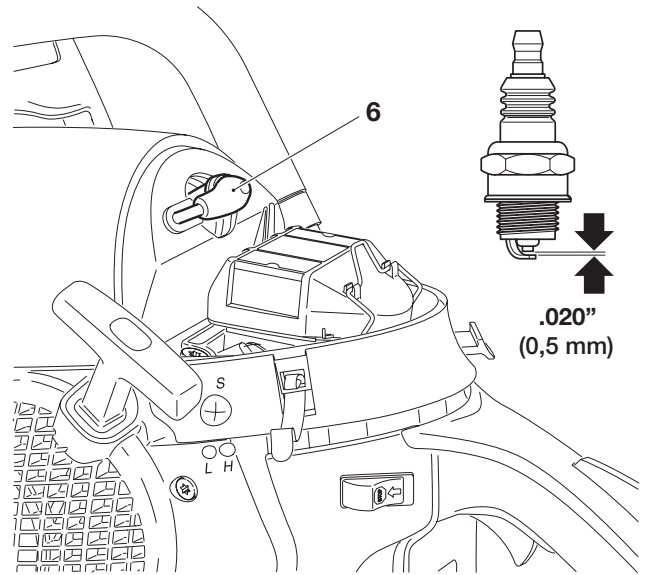
Retirer le capot (voir «Nettoyage du filtre à air»).

Retirer la fiche de la bougie (6) de la bougie. Démonters la bougie uniquement avec la clé combinée comprise dans la fourniture.

Ecartement des électrodes

L'écartement des électrodes doit être de .020" (0,5 mm).

ATTENTION: N'utilisez comme rechange que les bougies NGK BPMP 7A ou BOSCH WSR 6F.

**B**

Vérification de l'étincelle d'allumage

Introduire la clé combinée (7) entre le capot et le cylindre comme montré sur la figure.

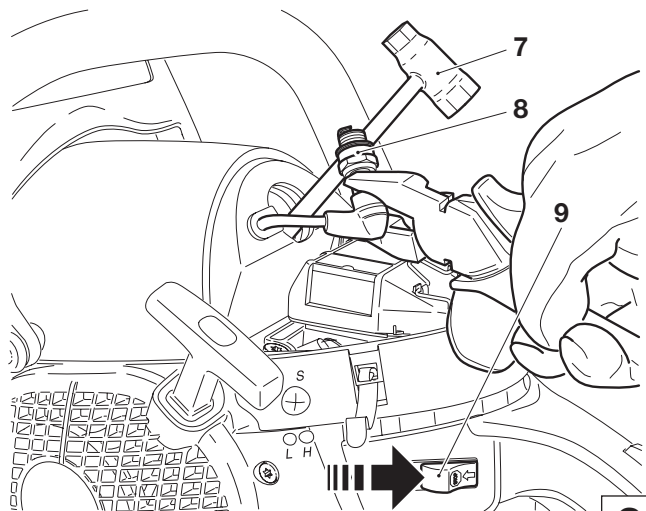
ATTENTION ! Ne pas introduire la clé dans le trou de la bougie, établir uniquement le contact avec le cylindre (pour éviter d'endommager le moteur).

Pousser la bougie d'allumage dévissée (8) contre la clé (à partir du trou de la bougie) avec la cosse de bougie d'allumage bien fixée au moyen de la pince isolée.

Pousser le bouton I/STOP (9) de l'allumage dans le sens de la flèche.

Tirer fortement sur le cordon de lancement.

En fonctionnement correct, l'étincelle doit être visible sur les électrodes.

**C**

Vérification des vis du silencieux



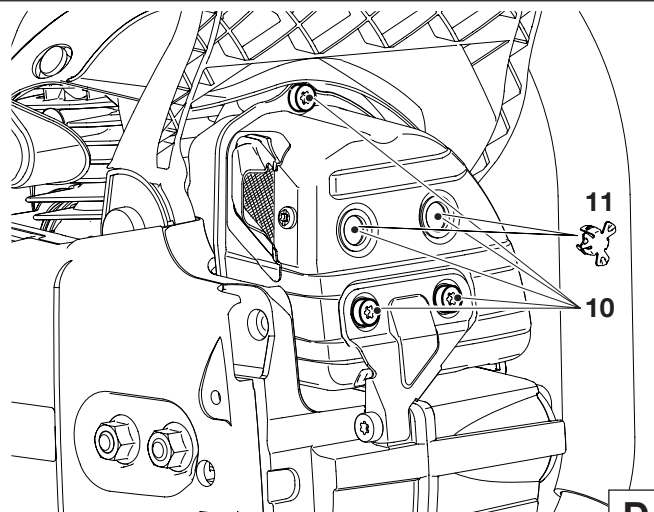
Attention :

Ne pas revisser les vis du silencieux pendant que le moteur est chaud !

Vérifier si les vis du silencieux (10) sont bien fixées. Les resserrer à la main si elles sont desserrées.

Retirer auparavant les deux bouchons (11). Pour cela, utiliser un petit tournevis.

Re-enfoncer les bouchons après vérification !

**D**



Remplacement du cordon de lancement / Remplacement du ressort de rappel

Dévisser les trois vis (1).

Retirer le carter du ventilateur (2).

NOTE : Les vis (1) ne peuvent pas tomber hors du carter du ventilateur.

ATTENTION : Risque de blessure ! Dévisser la vis (5) seulement lorsque le ressort de rappel est détendu !

En cas de remplacement du cordon de lancement, même si celui-ci n'est pas déchiré, détendre le ressort de rappel du tambour d'enroulement (3).

Pour cela, tirer entièrement le cordon hors du carter du ventilateur depuis la poignée de lancement.

Tenir le tambour d'enroulement d'une main, enfoncer le cordon dans l'échancrure (4) de l'autre main.

Tourner le tambour d'enroulement avec précaution jusqu'à ce que le ressort d'appel soit entièrement détendu.

Dévisser la vis (5) et enlever la rondelle (6).

Enlever le tambour d'enroulement avec **précaution**.

ATTENTION : Risque de blessure ! Le ressort de rappel peut sauter !

Enlever les vieux restes de cordon.

Enfiler le nouveau cordon (1/8" de ø, 38.6" de longueur) comme montré sur la figure (en n'oubliant pas la rondelle (8)) et nouer les deux extrémités.

Insérer le nœud (9) dans le tambour d'enroulement (3).

Insérer le nœud (10) dans la poignée de lancement (7).

Poser le tambour, le tourner légèrement jusqu'à ce que le ressort de rappel s'enclenche.

Y insérer la vis (5) avec la rondelle (6) et bien visser.

Introduire le cordon dans l'échancrure (4) du tambour d'enroulement et tourner deux fois le tambour avec le cordon dans le sens des aiguilles.

Tenir le tambour d'enroulement de la main gauche, et démêler le cordon de la main droite, bien le tirer et le tenir.

Relâcher le tambour avec précaution. Ce faisant, le cordon s'enroule sur le tambour dû à la tension du ressort.

Répéter l'opération trois à quatre fois. La poignée de lancement doit être maintenant à la verticale près du carter du ventilateur.

INDICATION : Si la corde de lancement est tirée fortement, le tambour d'enroulement doit pouvoir faire un moins un 1/4 de tour contre l'effort de ressort.

ATTENTION : Risque de blessure ! Bloquer la poignée de lancement tirée. Elle peut rebondir en arrière si vous relâchez par inadvertance le tambour d'enroulement.

Remplacement du ressort de rappel

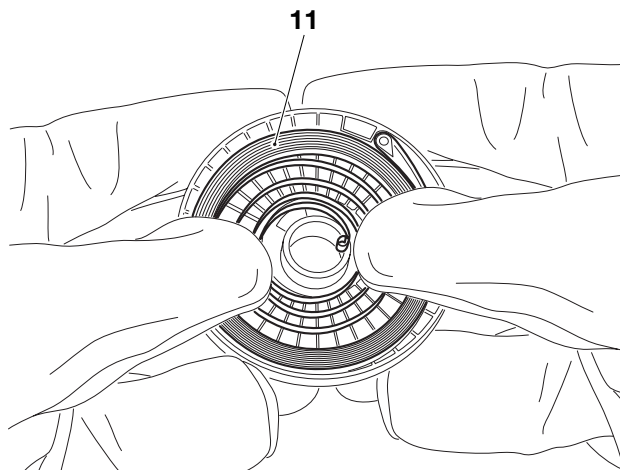
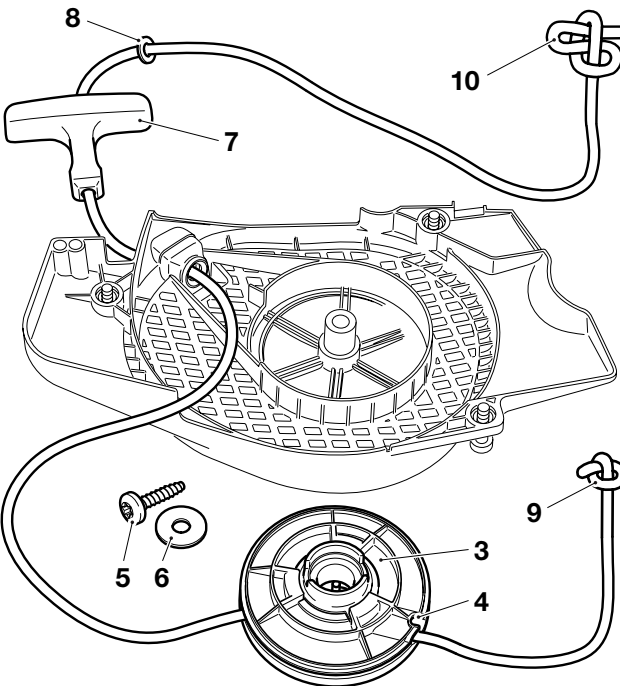
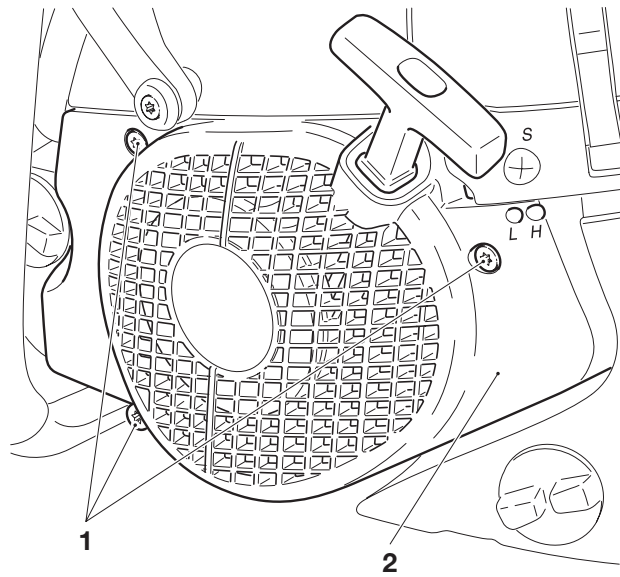
Démonter le carter du ventilateur et le tambour d'enroulement (voir ci-dessus).

ATTENTION : Risque de blessure ! Un ressort cassé peut sauter.

Les ressorts de rappel de rechange sont livrés tendus dans le tambour d'enroulement. **ATTENTION, le ressort peut sauter.** Pour remettre le ressort sauté en place, procéder comme montré sur le croquis.

Graisser légèrement le nouveau ressort de rappel (11) dans le carter du ventilateur avec de la graisse universelle, réf. 944 360 000 avant le montage.

Monter le tambour d'enroulement et le carter du ventilateur (voir ci-dessus).



A

Montage du carter du ventilateur

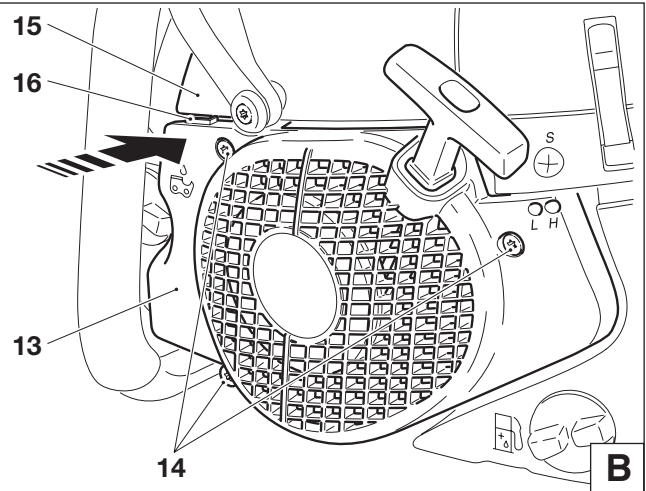
Poser le carter du ventilateur (13).

Presser les vis (14) dans les trous de réception.

Lever légèrement le carter du moteur (15), accrocher l'attache (16) au carter du ventilateur avec le pouce (voir flèche).

Aligner le carter du ventilateur, presser légèrement contre la tronçonneuse en tirant sur la poignée de lancement jusqu'à ce que le dispositif de lancement s'enclenche.

Bien serrer les vis (14).



Nettoyage de l'espace cylindre



Enlever le capot du filtre et le filtre à air.

Retirer la cosse et dévisser la bougie.

Enfoncer la soupape de démarrage et desserrer le frein de chaîne.

Mettre le passe-câble avec le câble d'allumage sur le côté.

Dévisser les deux vis de derrière du capot.

Dévisser la vis de l'axe du pare-main et enlever la douille.

Soulever et enlever le capot du guide-flexible d'aspiration.

IMPORTANT : Remettre le filtre à air en place et le fixer, revisser la bougie et la serrer à la main. Poser la cosse et retirer la soupape de démarrage.

Enlever le capot du ventilateur et retirer le déflecteur de ventilateur.

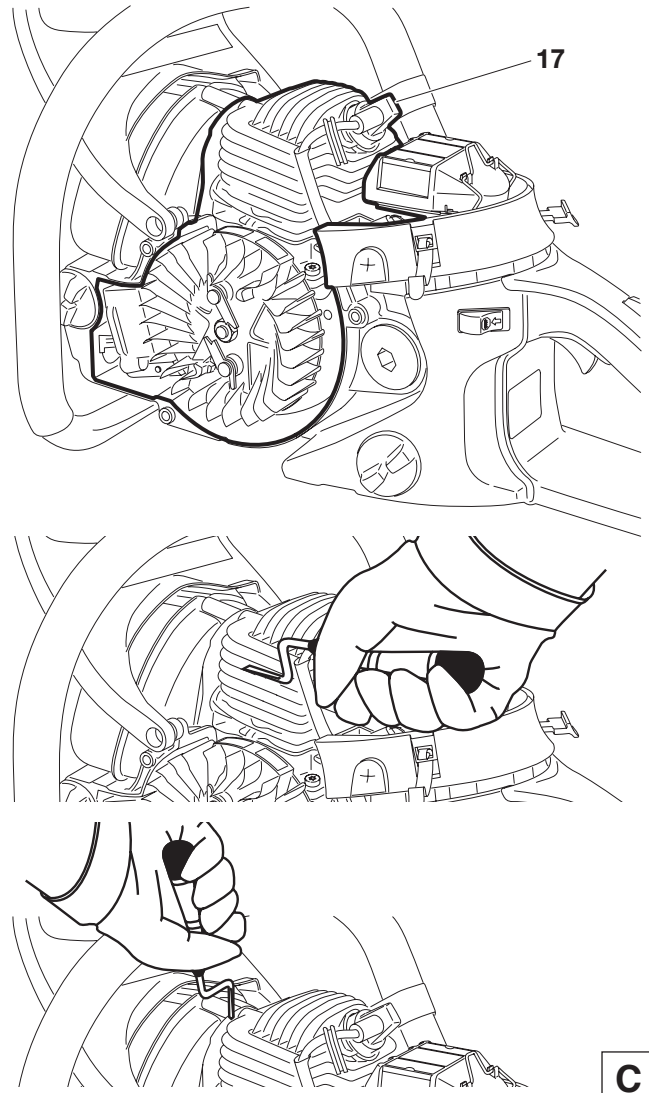
ATTENTION: En cas d'utilisation d'air comprimé pour le nettoyage, utiliser impérativement des lunettes de protection pour éviter toute blessure au niveau des yeux !

Toute la zone dégarnie (17) peut être nettoyée avec une brosse et de l'air comprimé.

Pour nettoyer les ailettes du cylindre, il est possible d'utiliser une brosse à bouteille.

Avec le nettoyeur d'ailettes de cylindre, nettoyer la zone entre les ailettes de cylindre ou entre le cylindre et la plaque d'arrêt.

Procéder en douceur. S'assurer de ne pas endommager le câble de court-circuit et le câble d'allumage.



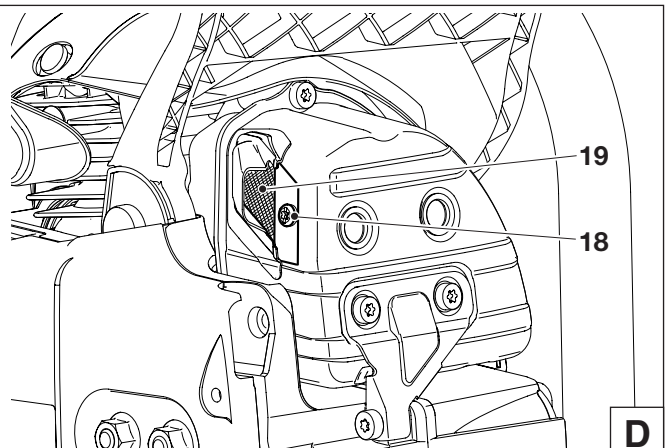
Changement / nettoyage du pare-étincelles

Il faut vérifier et nettoyer régulièrement le pare-étincelles. **Il est impératif de laisser refroidir le moteur !**

Desserrer le vis (18) et enlever le pare-étincelles (19).

ATTENTION: N'utilisez pas d'objets coupants ou pointus pour nettoyer le pare-étincelles car vous pourriez endommager ou déformer les fils du pare-étincelles.

Remontez le pare-étincelles et serrez la vis.



Indications de maintenance et d'entretien périodiques

De manière à garantir une longue durée de vie et le plein fonctionnement des dispositifs de sécurité et à éviter des détériorations, il faut effectuer régulièrement les travaux de maintenance décrits ci-dessous. Les réclamations ne pourront être reconnues comme telles si ces travaux ont été effectués régulièrement et correctement. Des accidents risquent de se produire en cas de non-observation.

Les utilisateurs de tronçonneuses doivent effectuer que les travaux de maintenance et d'entretien qui sont décrits dans la manuel d'emploi. Les travaux non compris dans cette liste ne doivent être exécutés que dans un atelier spécialisé de DOLMAR.

			Page
Généralités	Tronçonneuse entière	Nettoyer l'extérieur et vérifier si elle n'est pas détériorée. En cas de détériorations, faire effectuer immédiatement les réparations par un spécialiste.	
	Chaîne de sciage	Raffûter régulièrement, remplacer à temps	63-64
	Frein à chaîne	Faire vérifier régulièrement par l'atelier spécialisé	
	Guide de chaîne	Tourner afin que les surfaces de roulement sollicitées s'usent de manière régulière.	57, 66
	Cordon de lancement	Vérifier s'il n'est pas détérioré. Le remplacer en cas de détérioration.	69
Avant toute mise en route	Chaîne de sciage	Vérifier le tranchant et si elle n'est pas détériorée. Contrôler la tension de la chaîne.	63-64 57
	Guide de la chaîne	Vérifier s'il n'est pas détérioré	60
	Graissage de la chaîne	Vérifier le fonctionnement	61
	Frein de chaîne	Vérifier le fonctionnement	
	Commutateur I/STOP, Touche de blocage de sécurité		
	Levier de gaz	Vérifier le fonctionnement	61
	Fermeture réservoirs huile et carburant	Vérifier l'étanchéité et la présence de fuites	59
Journallement	Filtre à air et capot du filtre	Nettoyer (plus souvent si nécessaire)	67
	Guide de la chaîne	Vérifier si il n'est pas détérioré, nettoyer l'orifice d'entrée d'huile	66
	Support, rail guide de chaîne	Nettoyer, particulièrement la rainure d'alimentation d'huile	60, 65
	Vitesse de rotation à vide	Contrôler (la chaîne ne doit pas être entraînée)	62
Toutes les semaines	Carter du ventilateur	Nettoyer pour garantir un parfait guidage de l'air de refroidissement.	53, 70
	l'espace cylindre	Nettoyer pour garantir un parfait guidage de l'air de refroidissement.	70
	Bougie	Vérifier, le cas échéant, remplacer	68
	Silencieux	Vérifier s'il n'est pas encrassé, nettoyage du pare-étincelles	68, 70
	Capteur de chaîne	Vérifier	56
	Vis et écrous	Vérifier l'état et le serrage correct	
Tous les 3 mois	Filtre à carburant	Remplacer	66
	Réservoirs carburant/huile	Nettoyer	
Tous les ans	Tronçonneuse entière	Faire vérifier par un atelier spécialisé	
Stockage	Tronçonneuse entière	Nettoyer l'extérieur et vérifier si elle n'est pas détériorée. En cas de détériorations, faire effectuer immédiatement les réparations par un spécialiste.	
	Chaîne de sciage et guide de la chaîne	Démonter, nettoyer et légèrement huiler	
	Réservoirs carburant/huile	Nettoyer la rainure de guidage du guide de la chaîne	66
	Carburateur	Vidanger et nettoyer Le laisser se vider en marche	

Service d'atelier, pièces de rechange et garantie

Maintenance et réparations

La maintenance et la remise en état de tronçonneuses modernes ainsi que les éléments les plus importants de la sécurité exigent une formation professionnelle qualifiée et un atelier équipé d'outillage spécial et d'appareils de contrôle.

DOLMAR conseille donc de faire exécuter tous les travaux de maintenance non décrits dans la manuel d'emploi par un atelier spécialisé DOLMAR. Le spécialiste dispose de la formation, de l'expérience et des équipements nécessaires pour vous apporter chaque fois la solution économique la plus avantageuse et vous apporte une aide d'assistance en pratique et en conseil.

Veuillez relever sur le répertoire des points de service ci-jointe l'atelier spécialisé le plus proche de chez vous ou adressez vous à la représentation générale indiquée au dos de cette notice ou à l'importateur indiqué. Vous y recevrez l'adresse de l'atelier spécialisé la plus proche de chez vous.

Pièces de rechange

Le fonctionnement permanent fiable et la sécurité de votre appareil dépend aussi de la qualité des pièces de rechange utilisées. N'utilisez que des pièces de rechange d'origine DOLMAR, signalées par



Seules les pièces d'origine proviennent de la chaîne de production de l'appareil et vous assurent donc la qualité optimale du matériau, du respect des dimensions et du fonctionnement et une sécurité irréprochables.

Les pièces accessoires et de rechange d'origine vous sont proposées par votre vendeur spécialisé. Il dispose des listes de pièces de rechange nécessaires pour déterminer le numéro de la pièce de rechange nécessaire, et vous informera à fur et à mesure des améliorations de détail et des nouveautés dans l'offre des pièces de rechange.

Veuillez aussi noter, qu'en utilisant des pièces qui ne sont pas d'origine de DOLMAR vous perdez tout droit à la garantie de l'organisation DOLMAR.

Garantie

DOLMAR garantit un qualité irréprochable et supporte les frais pour une amélioration par remplacement des pièces défectueuses dans le cas de défauts de matériel ou de fabrication qui se présentent dans le délai de garantie après le jour de vente. Veuillez noter que dans certains pays, il existe des conditions de garantie spécifiques. Adressez vous, en cas de doute, à votre vendeur. En tant que vendeur du produit, il doit vous assurer la garantie.

Nous vous prions de comprendre que nous ne pouvons pas assurer la garantie pour les causes de détériorations suivantes:

- Non respect de la manuel d'emploi
- Non exécution des travaux de maintenance et réparations nécessaires
- Détériorations par suite d'un réglage non conforme du carburateur
- Usure normale
- Surcharge manifeste par dépassement permanent de la limite supérieure de la puissance
- Utilisation de types de chaînes et de guides de la chaîne non agrées
- Utilisation de longueurs de chaînes et de guides de la chaînes non admises
- Forçage, traitement non conforme, emploi non autorisé ou cas d'accidents
- Détériorations de surchauffe causées par des encrassements du carter du ventilateur.
- Interventions de personnes non compétentes ou essais de réparations non conformes
- Utilisation de pièces de rechange non appropriées resp. de pièces non d'origine DOLMAR, dans la mesure où elles sont sources de détériorations
- Utilisation de produits de fonctionnement inadaptés ou superposés
- Détériorations provenant de conditions d'utilisation du magasin de location
- Endommagements causés par fixation dévissée et non resserrée à temps.

Les travaux de nettoyage, d'entretien et de réglage ne sont pas reconnus comme prestations de garantie. Tout travail au titre de la garantie est à effectuer par le vendeur spécialiste DOLMAR.

Recherche de pannes

Panne	Système	Observation	Origine
Chaîne ne démarre pas	Frein de chaîne	Moteur tourne	Frein de chaîne enclenché
Moteur ne démarre pas ou démarre difficilement	Système d'allumage Alimentation carburant Système de compression Défaut mécanique	Allumage existe Pas d'allumage Réservoir carburant rempli A l'intérieur de l'appareil A l'extérieur de l'appareil Lanceur n'accroche pas	Défaut dans l'alimentation du carburant, système de compression, défaut mécanique Commutateur STOP enclenché, défaut ou court-circuit dans le câblage, fiche de bougie, bougie défectueuse Choke en mauvaise position, carburateur défectueux, crépine d'aspiration bouchée, conduite de carburant sectionnée ou coincée Joint du pied de cylindre défectueux, bagues à lèvres endommagées, segments de cylindre ou de pistons endommagés Bougie n'est pas étanche Ressort dans le démarreur brisé, pièces brisées à l'intérieur du moteur
Problèmes de démarrage à chaud	Carburateur	Carburant dans réservoir Étincelle existante	Réglage du carburateur non correct
Moteur démarre, mais s'arrête immédiatement après	Alimentation carburant	Carburant dans réservoir	Réglage du ralenti non correct, crépine d'aspiration ou carburateur encrassé Aération réservoir défectueux, conduite carburant interrompue, câble défectueux, commutateur STOP endommagé Soupape de décompression encrassée
Manque puissance	Plusieurs systèmes peuvent être mis en cause	Appareil tourne au ralenti	Filtre à air encrassé, faux réglage du carburateur, silencieux bouché, tuyau d'échappement des gaz dans le cylindre est bouché, pare-étincelles bouché.
Pas de graissage de la chaîne	Réservoir d'huile, pompe d'huile	Pas d'huile de chaîne sur la chaîne de sciage	Réservoir d'huile vide Rainure d'alimentation d'huile encrassée Vis de réglage de la pompe à huile dérégulée

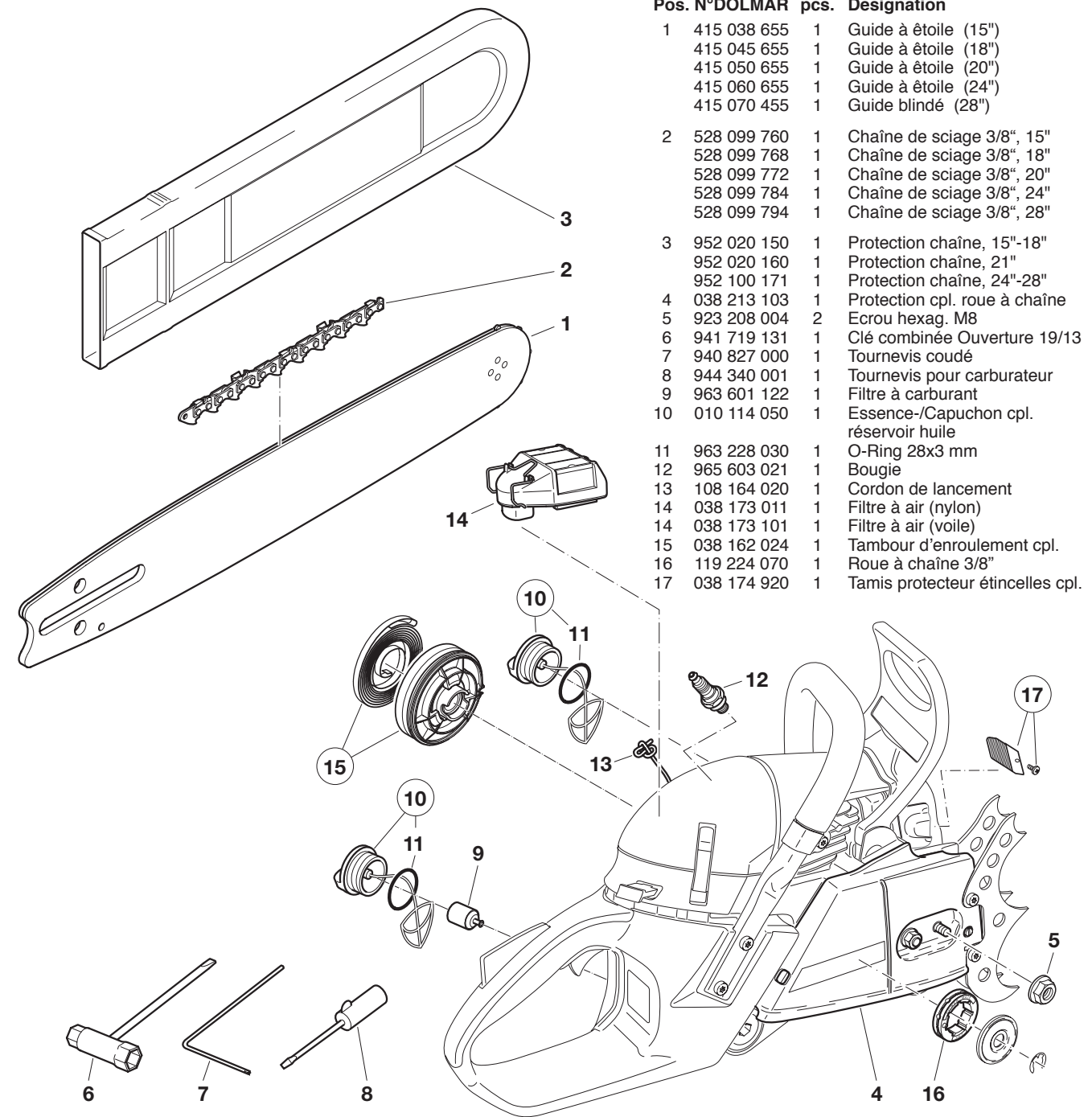
Extrait de la liste des pièces de rechange

N'utilisez que des pièces de rechange d'origine DOLMAR. Pour les réparations et la rechange pour d'autres pièces, votre atelier spécialisé DOLMAR est compétent.

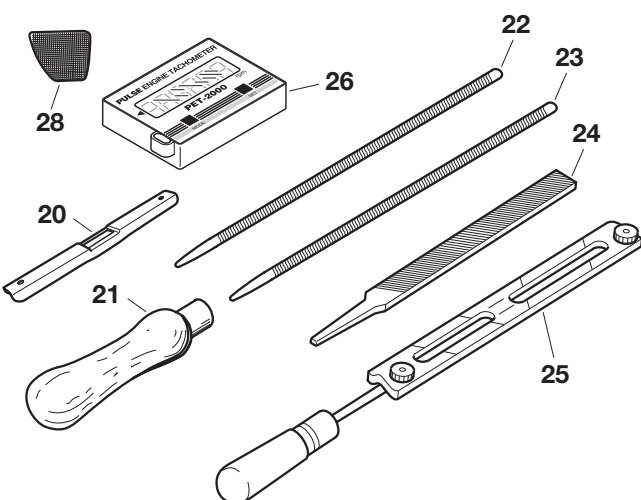
PS-7310

PS-7910

DOLMAR



Pos.	N°DOLMAR	pcs.	Désignation
1	415 038 655	1	Guide à étoile (15")
	415 045 655	1	Guide à étoile (18")
	415 050 655	1	Guide à étoile (20")
	415 060 655	1	Guide à étoile (24")
	415 070 455	1	Guide blindé (28")
2	528 099 760	1	Chaîne de sciage 3/8", 15"
	528 099 768	1	Chaîne de sciage 3/8", 18"
	528 099 772	1	Chaîne de sciage 3/8", 20"
	528 099 784	1	Chaîne de sciage 3/8", 24"
	528 099 794	1	Chaîne de sciage 3/8", 28"
3	952 020 150	1	Protection chaîne, 15"-18"
	952 020 160	1	Protection chaîne, 21"
	952 100 171	1	Protection chaîne, 24"-28"
4	038 213 103	1	Protection cpl. roue à chaîne
5	923 208 004	2	Ecrou hexag. M8
6	941 719 131	1	Clé combinée Ouverture 19/13
7	940 827 000	1	Tournevis coudé
8	944 340 001	1	Tournevis pour carburateur
9	963 601 122	1	Filtre à carburant
10	010 114 050	1	Essence-/Capuchon cpl. réservoir huile
11	963 228 030	1	O-Ring 28x3 mm
12	965 603 021	1	Bougie
13	108 164 020	1	Cordon de lancement
14	038 173 011	1	Filtre à air (nylon)
14	038 173 101	1	Filtre à air (voile)
15	038 162 024	1	Tambour d'enroulement cpl.
16	119 224 070	1	Roue à chaîne 3/8"
17	038 174 920	1	Tamis protecteur étincelles cpl.



Accessoires (non compris dans la livraison)

20	953 100 090	1	Jauge de mesure des chaînes
21	953 004 010	1	Manche de lime
22	953 003 040	1	Lime ronde \varnothing 7/32"
23	953 003 070	1	Lime ronde \varnothing 3/16"
24	953 003 060	1	Lime plate
25	953 030 030	1	Porte lime 3/8"
26	950 233 210	1	Tachymètre
-	949 000 035	1	Nourrice combinée (pour 5l carburant, 2,5l huile de chaîne de sciage)
28	038 173 200	1	Préfiltre (nylon)

The engine exhaust from this product contains chemicals known to the State of California to cause cancer, birth defects or other reproductive harm.

Les gaz d'échappement émis par ce produit contiennent des produits chimiques connus par l'Etat de Californie pour provoquer le cancer, des défauts de naissance ou autres dommages de reproduction.



DOLMAR POWER PRODUCTS
PO Box 5007
Alpharetta
GA 30005-5007

Form: 995 701 080 (2012-02 GB, F)
Specifications subject to change without notice
Changements sans préavis

Free Manuals Download Website

<http://myh66.com>

<http://usermanuals.us>

<http://www.somanuals.com>

<http://www.4manuals.cc>

<http://www.manual-lib.com>

<http://www.404manual.com>

<http://www.luxmanual.com>

<http://aubethermostatmanual.com>

Golf course search by state

<http://golfingnear.com>

Email search by domain

<http://emailbydomain.com>

Auto manuals search

<http://auto.somanuals.com>

TV manuals search

<http://tv.somanuals.com>