

Owner's and Safety Manual for Gasoline Chain Saws (page 2 - 34)

Manuel d'emploi et de sécurité de tronçonneuses thermiques (page 35 - 67)

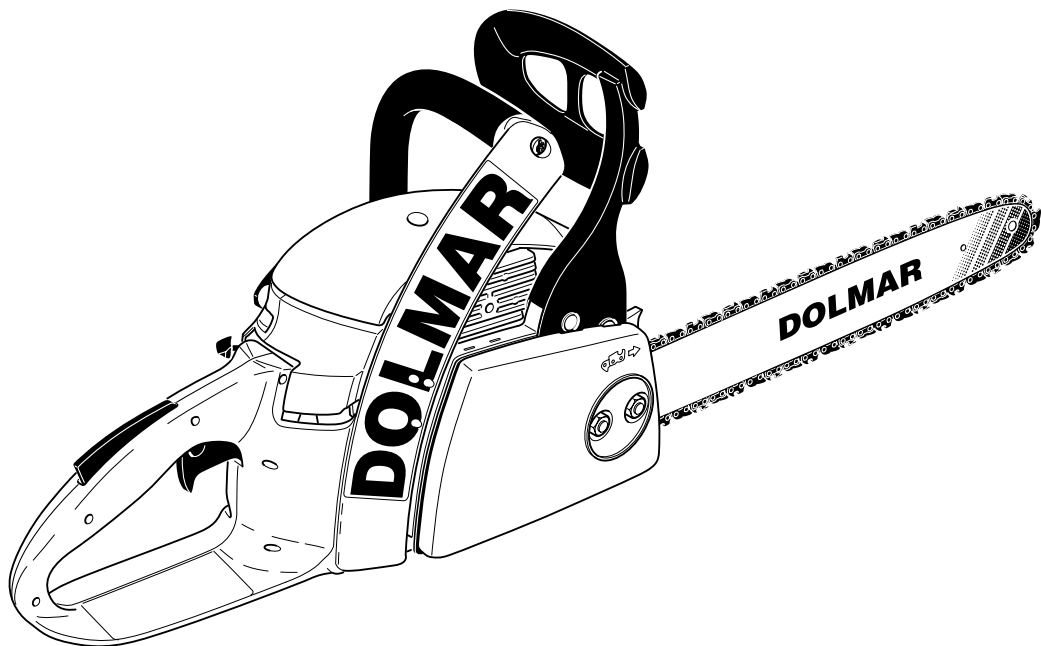
WARNING!

Read and understand this Manual. Always follow safety precautions in the Owner's and Safety Manual. Improper use can cause serious injury!

The engine exhaust from this product contains chemicals known to the State of California to cause cancer, birth defects or other reproductive harm. Preserve this Manual carefully!

ATTENTION!

Suivez toujours les conseils de sécurité du présent manuel d'emploi et de sécurité. Une utilisation incorrecte de la tronçonneuse peut entraîner des blessures graves! Conservez avec soin ce manuel! Les gaz d'échappement émis par ce produit contiennent des produits chimiques connus par l'Etat de Californie pour provoquer le cancer, des défauts de naissance ou autres dommages de reproduction. Lisez et comprenez ce manuel.



PS-34

DOLMAR



EMISSIONS COMPONENT DEFECT WARRANTY COVERAGE

DOLMAR warrant to the initial retail purchaser and each subsequent owner, that this utility equipment was designed, built, and equipped to conform at the time of initial sale to all applicable regulations of the U.S. Environmental Protection Agency (EPA), and that the engine is free of defects in materials and workmanship which would cause this engine to fail to conform with EPA regulations during its warranty period.

For the components listed under PARTS COVERED, the service dealer authorized by DOLMAR will, at no cost to you, make the necessary diagnosis, repair, or replacement necessary to ensure that the engine complies with applicable U.S. EPA regulations.

EMISSION COMPONENT DEFECT WARRANTY PERIOD

The warranty period for this engine begins on the date of sale to the initial purchaser and continues for a period of 2 years.

PARTS COVERED

Listed below are the parts covered by the Emission Components Defect Warranty. Some of the parts listed below may require scheduled maintenance and are warranted up to the first scheduled replacement point for that part.

Fuel Metering System

Carburetor and internal parts
Fuel filter, if applicable
Throttle stopper, if applicable
Choke System, if applicable

Ignition System

Spark plug
Flywheel Magneto
Ignition Coil

Air Induction System

Pre filter, if exist
Air filter, Air filter case, Intake manifold

Miscellaneous Items Used in Above Systems

Fuel hoses, clamps and sealing gaskets

OBTAINING WARRANTY SERVICE

To obtain warranty service, take your engine to the nearest DOLMAR service Center authorized by DOLMAR. Bring your sales receipts indicating date of purchase for this engine. The dealer of service authorized by DOLMAR will perform the necessary repairs or adjustments within a reasonable amount of time and furnish you with a copy of the repair order. All parts and accessories replaced under this warranty become the property of DOLMAR.

WHAT IS NOT COVERED

- Conditions resulting from tampering, misuse, improper adjustment (unless they were made by the service dealer authorized by DOLMAR during a warranty repair), alteration, accident, failure to use the recommended fuel and oil, or not performing required maintenance services.
- The replacement parts used for required maintenance services.
- Consequential damages such as loss of time, inconvenience, loss of use of the engine or equipment, etc.
- Diagnosis and inspection charges that do not result in warranty-eligible service being performed.
- Any non-authorized replacement part, or malfunction of authorized parts due to use of non-authorized parts.

OWNER'S WARRANTY RESPONSIBILITIES

As the engine owner, you are responsible for the performance of the required maintenance listed in your owner's manual. DOLMAR recommends that you retain all receipts covering maintenance on your engine, but DOLMAR cannot deny warranty solely for the lack of receipts or for your failure to ensure the performance of all scheduled maintenance. As the engine owner, you should however be aware that DOLMAR may deny warranty coverage if your engine or a part has failed due to abuse, neglect, improper maintenance or unapproved modifications.

You are responsible for presenting your engine to the nearest service dealer authorized by DOLMAR when a problem exists.

If you have any questions regarding your warranty rights and responsibilities, you should contact the DOLMAR Warranty service Department at 1-888-OPE-PART for the information.

THINGS YOU SHOULD KNOW ABOUT THE EMISSION CONTROL SYSTEM WARRANTY:

MAINTENANCE AND REPAIRS

You are responsible for the proper maintenance of the engine. You should keep all receipts and maintenance records covering the performance of regular maintenance in the event questions arise. These receipts and maintenance records should be transferred to each subsequent owner of the engine. DOLMAR reserves the right to deny warranty coverage if the engine has not been properly maintained. Warranty claims will not be denied, however, solely because of the lack of required maintenance or failure to keep maintenance records.

MAINTENANCE, REPLACEMENT OR REPAIR OF EMISSION CONTROL DEVICES AND SYSTEMS MAY BE PERFORMED BY ANY REPAIR ESTABLISHMENT OR INDIVIDUAL; HOWEVER, WARRANTY REPAIRS MUST BE PERFORMED BY A SERVICE DEALER AUTHORIZED BY DOLMAR. THE USE OF PARTS THAT ARE NOT EQUIVALENT IN PERFORMANCE AND DURABILITY TO AUTHORIZED PARTS MAY IMPAIR THE EFFECTIVENESS OF THE EMISSION CONTROL SYSTEM AND MAY HAVE A BEARING ON THE OUTCOME OF A WARRANTY CLAIM.

If other than the parts authorized by DOLMAR are used for maintenance replacements or for the repair of components affecting emission control, you should assure yourself that such parts are warranted by their manufacturer to be equivalent to the parts authorized by DOLMAR in their performance and durability.

HOW TO MAKE A CLAIM

All repair qualifying under this limited warranty must be performed by a service dealer authorized by DOLMAR. In the event that any emission-related part is found to be defective during the warranty period, you shall notify DOLMAR Warranty service Department at 1-888-OPE-PART and you will be advised of the appropriate warranty service dealer or service providers where the warranty repair can be performed.

WARNING !

Careless or improper use of this product can cause serious or even fatal injury. Before operating a chain saw or other DOLMAR products it is important that you read, fully understand and carefully follow the instructions outlined in this owners manual. Kickback may cause severe or fatal injury and is one of many potential dangers in operating a chain saw. Kickback and other safety related precautions are described in detail within this owners manual. Additional owners manuals are available from DOLMAR POWER PRODUCTS, PO Box 5007, Alpharetta, GA, 30005-5007, USA, Telephone 1-888-OPE-PART.

This product complies with: American National Standard Institute B 175.1-1991 chain saw safety standard.
Canadian Standards Association Z62.1-95 chain saw safety standard.
Z62.3-96 chain saw kickback standard.
Society of Automotive Engineers SAEJ 335-Jun 95 „Multiposition small engine exhaust system fire ignition suppression”

The Emissions Compliance Period referred to on the emission Compliance label indicates the number of operating hours for which the engine has been shown to meet federal emissions requirements. Category C= 50 hours, B= 125 hours, and A= 300 hours.

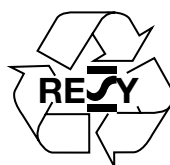
With the purchase of this chain saw you have chosen a German quality product. Important instructions for the assembly and operation of this saw are given in this manual. For your own safety, we ask you to read the accident prevention instructions very carefully before putting your chain saw into operation, as incorrect handling can, despite all precautions, lead to accidents. With a little care and attention you will have good service and lasting satisfaction from this first-rate product. The following industrial property rights apply: DE 19722629.

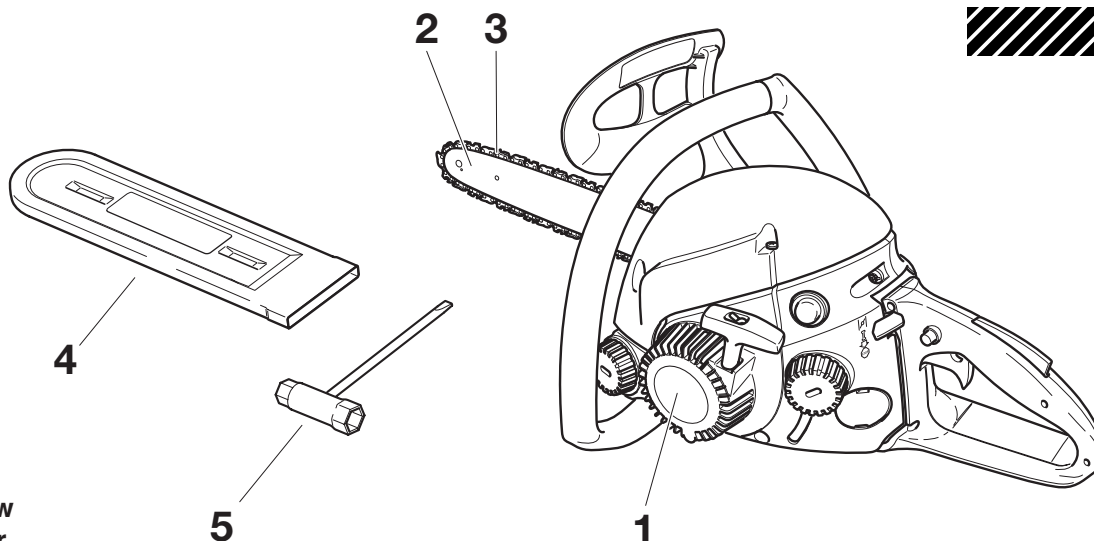


DOLMAR PS-34

Contents	Page	Contents	Page
Delivery inventory	4	Set idle speed	26
Symbols	4	Sharpening the saw chain	27-28
Safety precautions	5-16	Cleaning the brake band and sprocket	29
Denomination of components	17	Cleaning the guide bar	29
Technical data	18	Replacing the saw chain	30
Approved bar and chain combinations	18	Replacing the fuel filter	30
Mounting the guide bar and saw chain	19-20	Cleaning the air filter	30
Checking the chain tension	21	Replacing the spark plug	31
Safety chain brake	21	Replacing / cleaning the spark arrester screen	31
Fuel / Refuelling	22-23	Instructions for periodic maintenance	32
Checking the chain lubrication	24	Service, spare parts and guarantee	32-33
Starting the engine	25	Troubleshooting	33
Stopping the engine	25	Extract from the spare parts list	34
Checking the safety chain brake	26		

The DOLMAR PS-34 will be delivered in a protective cardboard box to prevent transport damage. Cardboard is a basic raw material and is consequently reuseable or suitable for recycling (waste paper recycling).










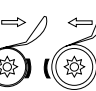






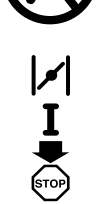




- 1. Chain saw
- 2. Guide bar
- 3. Saw chain
- 4. Chain protection cover
- 5. Assembly tool
- 6. Owner's and Safety Manual (not shown)

In case one of the parts listed should not be included in the delivery inventory, please consult your sales agent.

Symbols

You will notice the following symbols on the chain saw and in the Owner's and Safety Manual:

	Read Owner's and Safety Manual and follow the warning- and safety precautions!		Stop engine!
	Particular care and caution!		Start the engine
	Forbidden!		Caution, kickback!
	Wear protective helmet, eye and ear protection!		Chaine brake
	Wear protective gloves!		Fuel and oil mixture
	No smoking!		Chain oil fill
	No open fire!		First aid
	Combination Start/Stop (I/O) switch, choke		Recycling
	Direction of chain travel	Further symbols see page 7.	

Safety precautions for chain saw operators

While operating the chain saw please observe the following rules:

- a) Contact of the guide bar nose with any object should be avoided.
- b) Tip contact may cause the guide bar to move suddenly upward and backward, which may cause serious or fatal injury.
- c) Always operate the chain saw with both hands.

WARNING!

Read and follow all safety precautions in the owner's manual. Failure to follow instructions could result in serious injury. It is recommended to lend the chain saw only to people who are experienced in working with chain saws. Always hand over the Owner's and Safety Manual.

WARNING!

This chain saw is capable of severe kickback that could result in serious injury to the operator. Do not operate this chain saw unless you have extraordinary cutting needs and experience in and special training for dealing with kickback. Chain saws with significantly reduced kickback potential are available.

WARNING!

Kickback may occur when the nose or tip of the guide bar touches an object, or when the wood closes in and pinches the saw chain in the cut. This contact may abruptly stop the **saw chain** and in some cases may cause a lightning fast reverse **reaction**, kicking the guide bar up and back towards the user, or push the guide bar back towards the operator. **Kickback** may cause you to lose control of the saw.

As a chain saw user, you can take several steps to reduce the risk of a kickback and potential injury.

- A. With a basic understanding of kickback, you can reduce or eliminate the element of surprise. It is a sudden surprise that contributes to accidents.
- B. Keep a good firm grip on the saw with both hands, your right hand on the rear grip and your left hand on the tubular handle, when the engine is running. Use a firm grip with thumbs and fingers encircling the chain saw handles. A firm grip can neutralize kickback and help you maintain control of the saw. Don't let go!
- C. Make sure that the area in which you are cutting is free from obstructions. Do not let the nose of the guide bar contact the log, branch, or any other obstructions which could be hit while you are operating the saw.
- D. Do not overreach or cut above shoulder height.
- E. Follow manufacturer's sharpening and maintenance instructions for the saw chain.
- F. Only use replacement bars and chains specified by the manufacturer or the equivalent.

Additional safety precautions

The following additional safety precautions should be observed by all users of chain saws:

1. Do not operate a chain saw when you are fatigued.
2. Use safety footwear; snug-fitting clothing; protective gloves; and eye, hearing, and head protection devices.
3. Use caution when handling fuel. Move the chain saw at least 10 feet (3 m) from the fueling point before starting the engine.
4. Do not allow other persons to be near the chain saw when starting or cutting with the chain saw. Keep bystanders and animals out of the work area.
5. Do not start cutting until you have a clear work area, secure footing, and a planned retreat path from the falling tree.
6. Keep all parts of your body away from the saw chain when the engine is running.
7. Before you start the engine, make sure that the saw chain is not contacting anything.
8. Carry the chain saw with the engine stopped, the guide bar and saw chain to the rear, and the muffler away from your body.
9. Do not operate a chain saw that is damaged, is improperly adjusted, or is not completely and securely assembled. Be sure that the saw chain stops moving when the throttle control trigger is released.
10. Shut off the engine before setting it down.
11. Use extreme caution when cutting small size brush and saplings because slender material may catch the saw chain and be whipped toward you or pull you off balance.
12. When cutting a limb that is under tension be alert for springback so that you will not be struck when the tension on the wood fibers is released.
13. Keep the handles dry, clean, and free of oil or fuel mixture.
14. Operate the chain saw only in well-ventilated areas.
15. Do not operate a chain saw in a tree unless you have been specifically trained to do so.
16. All chain saw service, other than the items listed in the owner's manual maintenance instructions, should be performed by DOLMAR. (For example, if improper tools are used to remove the flywheel or if an improper tool is used to hold the flywheel in order to remove the clutch structural damage to the flywheel could occur and could subsequently cause the flywheel to burst.)
17. When transporting your chain saw, use the chain protection cover.
18. Low kickback bars and low kickback chains are designed to reduce the risk of kickback injury. Ask your DOLMAR dealer about these devices.

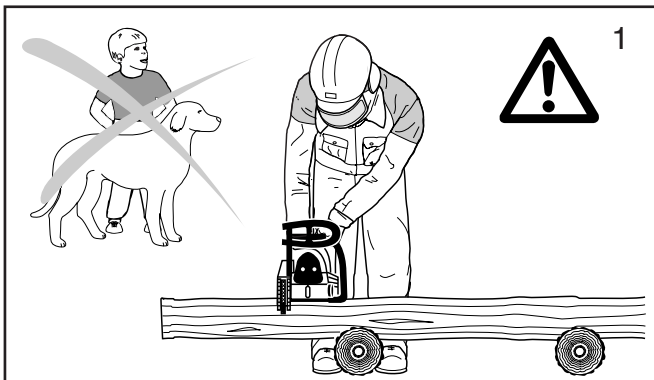
General Safety Precautions

The use of any chain saw may be hazardous. At full throttle chain speed can reach 45 mph (20 m/s). It is important that you read; fully understand and observe the following safety precautions and warnings. Read the owner's manual and the safety instructions periodically.

WARNING !

Reactive forces, including kickback, can be dangerous. Careless or improper use of any chain saw may cause serious or fatal injury.

Have your DOLMAR dealer show you how to operate your chain saw. Observe all applicable local safety regulations, standards and ordinances.



WARNING!

Minors should never be allowed to use a chain saw. Bystanders, especially children and animals should not be allowed in the area where a chain saw is in use (fig. 1). Never let the saw run unattended. Store it in a locked place away from children. Fill the fuel tank to 7/8 th full (see storing the saw). Do not lend your chain saw without this owner's manual. Be sure that anyone using your saw understands the information given.

Proper use of a chain saw involves

1. the operator
2. the saw
3. the use of the saw.

Description of symbols used on chain saws:

CSA Z 62.1-95 and Z 62.3-96 Class 1C Compliance with CSA -Standards

ANSI B175.1-1991 Compliance with ANSI -Standard

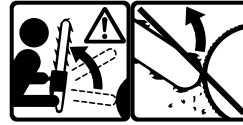


45M6 Chain Saw listed in accordance with American National Standard Safety Specifications for Gasoline Powered Chain Saws (ANSI B 175.1-1991).

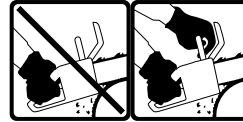
CSA Z 62.1-95 and Z 62.3-96, Class 1C



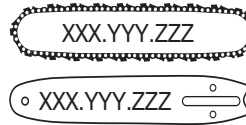
Maximum Computed Kickback Angle (CKA)* without using the chain brake when using the recommended bar and chain combinations (In this example the CKA is 21°).



Contact of the guide bar tip with any object should be avoided! Tip contact may cause the guide bar to move suddenly upward and backward, which may cause serious injury!



Always use two hands when operating the chain saw!



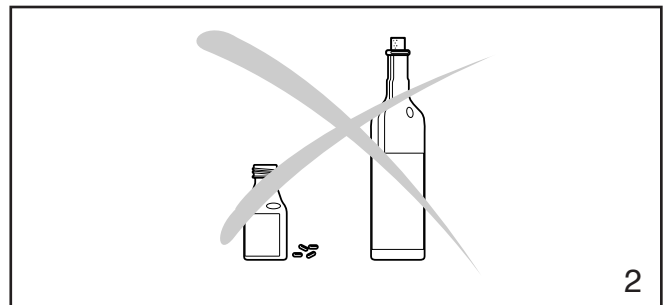
Reduced Kickback Bar and Chain combination that has been evaluated with the power head to achieve kickback protection (according to ANSI and CSA standards).

* The Computed Kickback Angle is a calculated value from energies measured on a test bench. It is not the angle of the guide bar moved upward in case of a KICKBACK.

The operator

Physical Condition

You must be in good physical condition and mental health and not under the influence of any substance (drugs, alcohol), which might impair vision, dexterity or judgment.



WARNING !

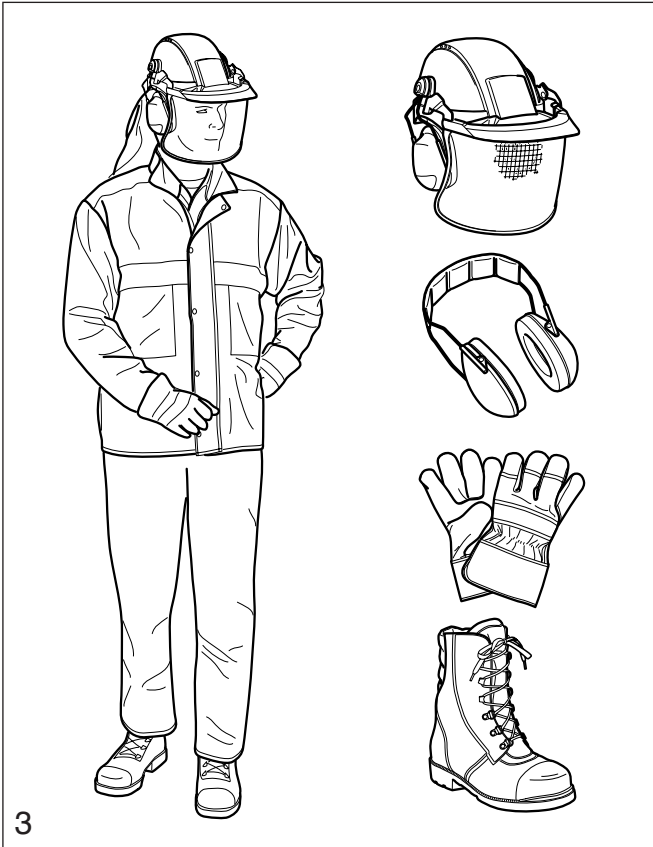
Prolonged use of chain saws exposing the operator to vibrations may produce Whitefinger disease (Raynaud's phenomenon). This phenomenon reduces the hand's ability to feel and regulate temperature, produces numbness and burning sensations and may cause nerve and circulation damage and tissue necrosis.

All DOLMAR saws are therefore provided with an antivibration system which is essential for those using chain saws on a regular or sustained basis. Antivibration systems do not guarantee that you will not sustain Whitefinger disease, however, they reduce this danger considerably. Nevertheless, continual and regular users should observe their hands and fingers and in case of any abnormal symptoms, seek medical advice immediately.

Proper clothing

Clothing must be sturdy and snug-fitting, but allow complete freedom of movement. Avoid loose-fitting jackets, scarfs, neckties, jewelry, flared or cuffed pants, or anything that could become entangled with the saw or brush. Wear overalls or jeans with a reinforced cutting resistant insert (fig. 3).

Protect your hands with gloves when handling saw and saw chain. Heavy-duty, nonslip gloves improve your grip and protect your hands.



Good footing is most important in chain saw work. Wear sturdy boots with nonslip soles. Steel-toed safety boots are recommended.

Proper eye protection is a must. Non-fogging, vented goggles and a face screen is recommended. Their use reduces the risk of eye and facial injury.

Wear an approved safety hard hat to protect your head. Chain saw noise may damage your hearing. Always wear noise protection equipment (ear plugs or ear muffs) to protect your hearing.

Continual and regular users should have their hearing checked regularly.



The saw

Parts of the chain saw: illustrations and description of parts see page 17.

WARNING !

Never modify a chain saw in any way. Only attachments supplied by DOLMAR or expressly approved by DOLMAR for use with the specific saw are authorized.

WARNING !

Bow guide bars substantially increase the potential for kickback and severe or fatal injury due to the greater kickback zone of the bow design. Bow guide bars are **not recommended** for use on DOLMAR chain saws nor are they approved by the ANSI B 175.1-1991 chain saw safety standard.

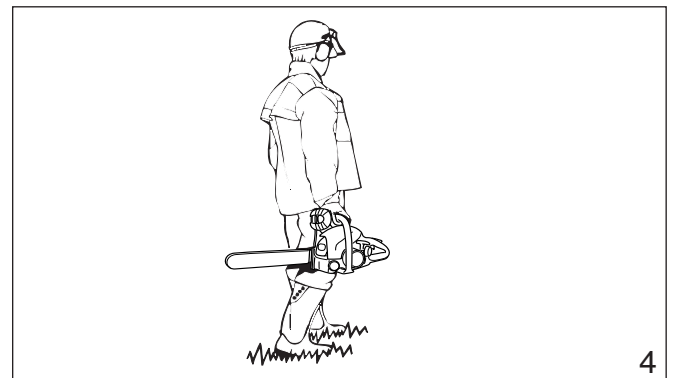
The use of the saw

Transporting the chain saw

WARNING!

Always stop the engine before putting a chain saw down or carrying it. Carrying a chain saw with the engine running is extremely dangerous. Accidental acceleration of the engine can cause the chain to rotate.

Avoid touching the hot muffler.



By hand: When carrying your saw by hand, the engine must be stopped and the saw must be in the proper position.

The chain protection cover should be over the chain and the guide bar must point backwards. When carrying your saw the bar should be behind you (fig. 4).

By vehicle: When transporting in a vehicle, keep chain and bar covered with the chain guard. Properly secure your saw to prevent turnover, fuel spillage and damage to the saw. Make sure the saw is not exposed to heat or sparks.

Chain saw operating instructions

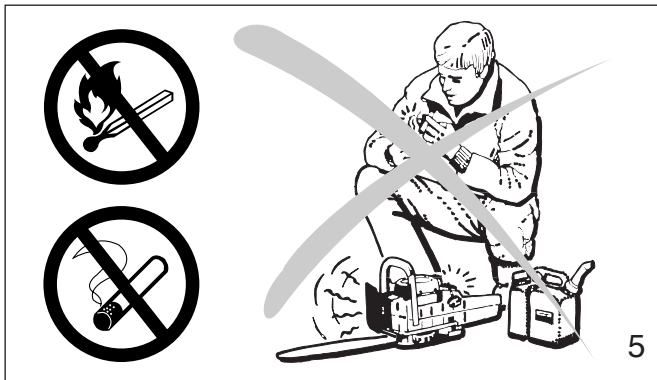
For assembly follow the procedure in the appropriate section "Mounting Guide Bar and Chain" of this manual. DOLMAR chain, guide bar and sprocket must match each other (see the appropriate section in this manual).

WARNING!

Proper tension of the chain is extremely important. In order to avoid false setting the tensioning procedure must be followed as described in this manual. Always make sure the hexagonal nut(s) for the sprocket guard is (are) tightened securely after tensioning the chain. Check chain tension once more after having tightened the nuts and thereafter at regular intervals (always before starting to work). If the chain becomes loose while cutting, shut off the engine and then tighten. Never try to tighten the chain while the engine is running!

Fueling

Your DOLMAR saw uses on oil-gasoline mixture for fuel (see chapter "Fuel" of this manual).



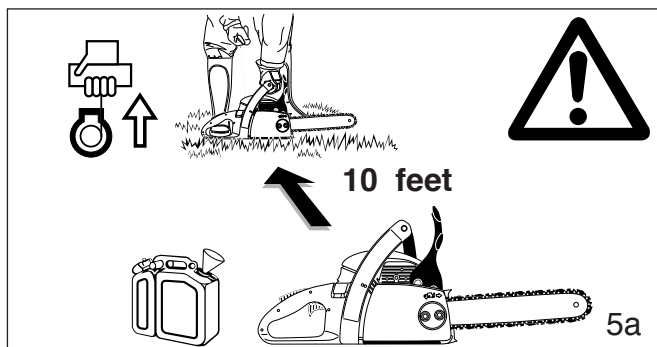
WARNING!

Gasoline is an extremely flammable fuel. Use extreme caution when handling gasoline or fuel mix. Do not smoke or bring any sparks or flame near the fuel (fig. 5).



Fueling instructions

Fuel your chain saw in well ventilated areas or outdoors. Always shut off the engine and allow it to cool before refueling. Select bare ground for fueling and move the chain saw at least 10 feet (3 m) from fueling spot before starting the engine (fig. 5a).



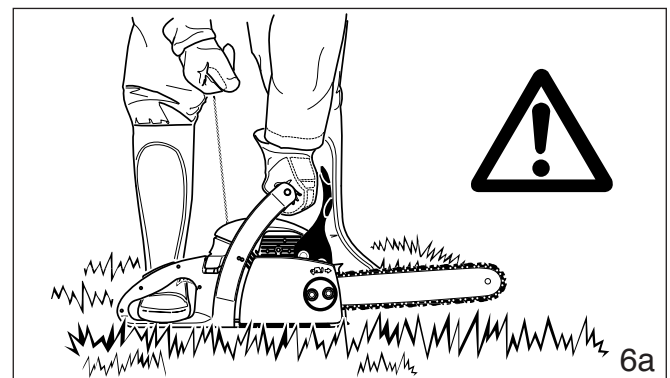
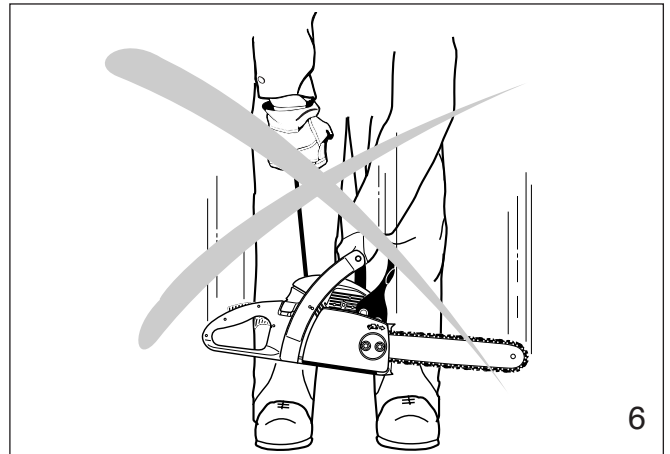
Wipe off any spilled fuel before starting your saw and check for leakage.

Check for fuel leakage while refueling and during operation. If fuel or oil leakage is found, do not start or run the engine until leak is fixed and spilled fuel has been wiped away. Clothing with fuel on it has to be changed immediately (this is a danger to your life!).

Avoid skin contact with fuel. Never loosen or remove the cap of the fuel tank while the engine is running.

Starting

Do not drop start. This method is very dangerous because you may lose control of the saw (fig. 6).



Place the chain saw on firm ground or other solid surface in an open area. Maintain a good balance and secure footing. Place your right foot through the rear handle opening and firmly grasp the front handle with your left hand (fig. 6a).

Be absolutely sure that guide bar and chain are clear of you or all other obstructions and objects, including the ground, because when the engine starts in semi-throttle position, engine speed will be fast enough for the clutch to engage the sprocket and turn the chain which may cause a kickback.

Never attempt to start the saw when the guide bar is in a cut or kerf.

When you pull the starter grip, don't wrap the starter rope around your hands. Do not allow the grip to snap back, but guide the starter rope slowly back to permit the rope to rewind properly. Failure to follow this procedure may result in injury to hand or fingers and may damage the starter mechanism.

Important adjustments

WARNING!

At correct idle speed, chain should not turn. For directions to adjust idle speed, see the appropriate section of this instruction manual.

Do not use a saw with incorrect idle speed adjustment. Adjust the idle speed yourself according to the appropriate section of this manual.

Have your DOLMAR dealer check your saw and make proper adjustments or repairs.

Check the saw chain tension frequently, especially just after installing a new chain. New chains may stretch more during their initial use. A properly adjusted saw chain can be pulled freely around the guide bar by hand without sagging. Always stop the engine and wear gloves when checking or adjusting the chain tension.

Working conditions

Operate your chain saw only outdoors. Operate the saw under good visibility and daylight conditions only.

WARNING!

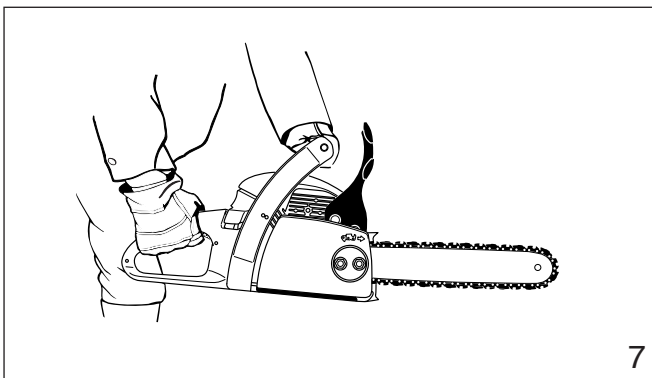
Take extreme care in wet and freezing weather (rain, snow, ice). Put off the work when the weather is windy, stormy or rainfall is heavy. Clear the area where you are working.

WARNING!

Avoid stumbling on obstacles such as stumps, roots or rocks and watch out for holes or ditches. Be extremely cautious when working on slopes or uneven ground. There is increased danger of slipping on freshly debarked logs.

Cutting instructions

Always hold the saw firmly with both hands when the engine is running. Place your left hand on the tubular handle and your right hand on grip and throttle lever. Left-handers should follow these instructions too.

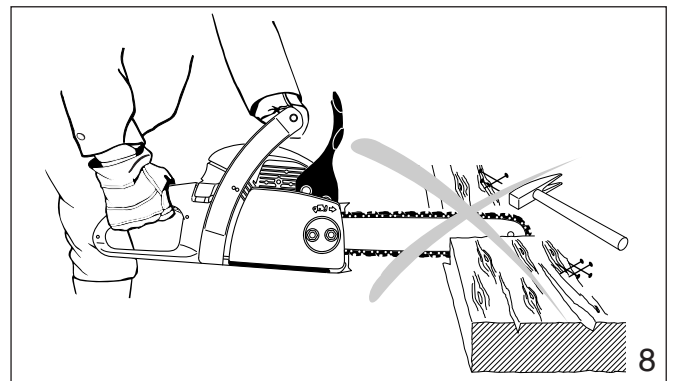


Wrap your fingers tightly around the handles, keeping the handles cradled between your thumb and forefinger (fig. 7). With your hands in this position, you can best oppose and absorb the push, pull and kickback forces of your saw without having it slip out of your grip (see section of reactive forces). Make sure your chain saw handle and grip are in good condition and free of moisture, pitch, oil or grease.

Always start a cut with the chain running at full speed and the spike bar in contact with the wood.

WARNING!

Never use the saw with one hand. You cannot control reactive forces (see pages 10 to 12) and may lose control of the saw.



WARNING!

Do not operate your chain saw in semi-throttle position. Cutting in this position does not permit the operator proper control of the saw or chain speed.

WARNING!

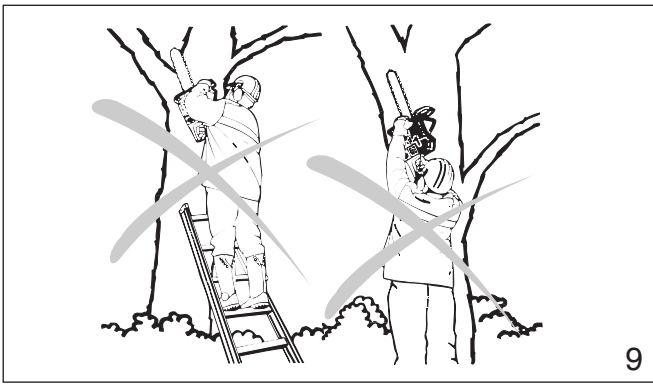
Never come too close to a rotating chain with your hands or body.

WARNING!

Do not cut any material other than wood or wooden objects.

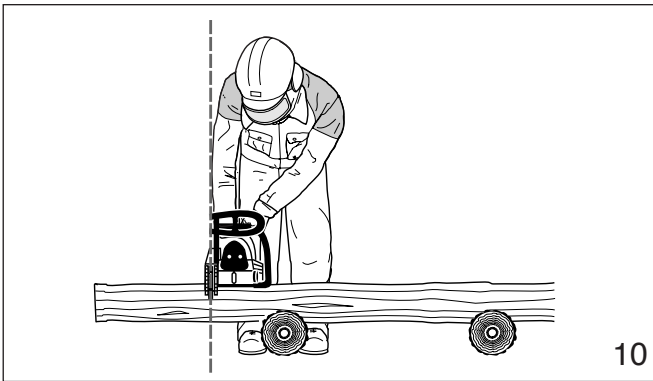
Use your chain saw for cutting only. It is not designed for prying or shoveling away limbs, roots or other objects.

When sawing, make sure that the saw chain does not touch any foreign materials such as rocks, nails and the like (fig. 8). Such objects may be flung off, damage the saw chain or cause the saw to kick back.



9

In order to keep control of your saw, always maintain a firm foothold. Never work on a ladder, in a tree or on any other insecure support. Never use the saw above shoulder height (fig. 9).



10

Position the chain saw in such a way that your body is clear of the cutting attachment whenever the engine is running (fig. 10).

Don't put pressure on the saw when reaching the end of a cut. The pressure may cause the bar and rotating chain to pop out of the cut or kerf, go out of control and strike the operator or some other object. If the rotating chain strikes some other object a reactive force (see pages 10 to 12) may cause the chain to strike the operator.

Reactive forces during the cut, including kickback

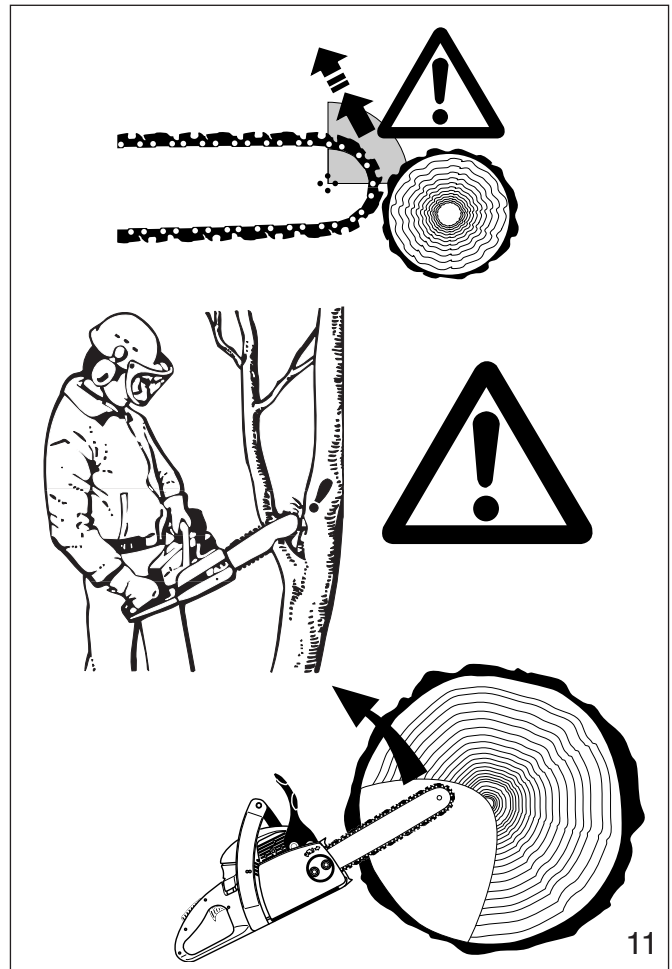
WARNING!

Reactive forces, that may occur during any cut are kickback, pushback and pull-in. Reactive forces can be dangerous! In any chain saw, the powerful force used to cut wood can be reversed (and work against the operator).

If the rotating chain is suddenly stopped by contact with any solid object like a log or branch or is pinched, the reactive forces instantly occur. These reactive forces may result in loss of control which may, in turn, cause serious or fatal injury. An understanding of the causes of these reactive forces may help you avoid loss of control.

The most common reactive forces are

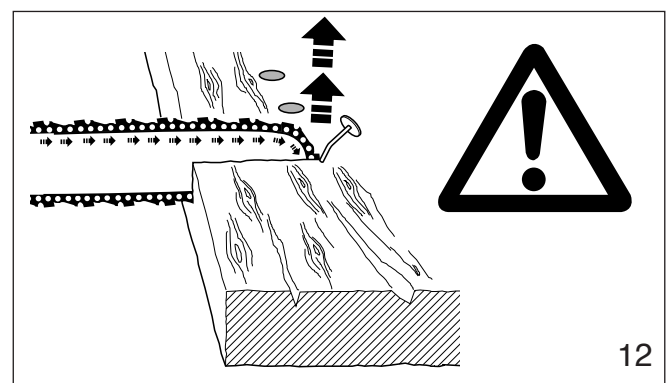
- kickback,
- pushback,
- pull-in.



11

Kickback:

Kickback occurs when the upper quadrant of the bar nose contacts a solid object in the wood or is pinched (fig. 11). The reaction of the cutting force of the chain causes a rotational force of the chain saw in the direction opposite to the chain movement, mainly in the plane of the bar. This may fling the bar in an uncontrolled arc towards the operator.



12

This reaction can occur in a fraction of a second and under some circumstances, cause the guide bar and chain to strike the operator with enough force to cause severe or fatal injury. It may also occur during limbing. It also occurs when the nose of the guide bar is pinched unexpectedly, unintentionally contacts solid material in the wood (fig.12) or is incorrectly used to begin a plunge or boring cut.

The greater the force of the kickback reaction, the more difficult it becomes for the operator to control the saw.

Many factors influence the occurrence and force of the kickback reaction. The type of bar and saw chain you use is a factor in the force of the kickback reaction.

The speed of contact at which the cutter contacts the object.

Kickback force increases with the rate of impact.

The contact angle between the nose of the bar and the foreign object (fig. 11).

Kickback is most pronounced in the upper quadrant of the bar nose.

DOLMAR chain types are designed to reduce kickback forces.

The depth gauges:

Improper lowering of the depth gauges also increases the risk of a kickback.

Saw chain cutter sharpness:

WARNING!

A dull improperly sharpened chain may increase the risk of kickback. Always cut with a properly sharpened chain.

Devices for reducing the risk of kickback injury

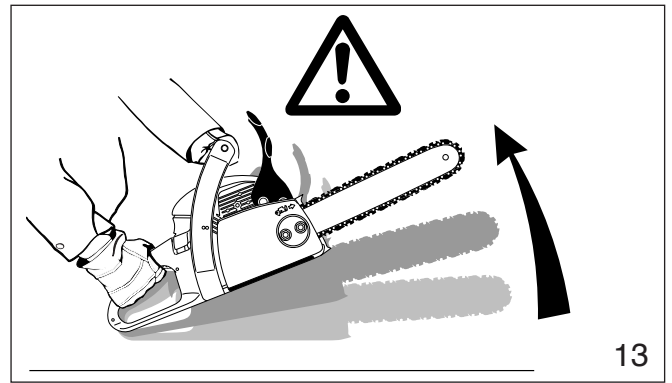
DOLMAR have developed a special chain brake to reduce the risk of kickbacks.

This chain brake increases the safety factor on the job, e.g. when the saw suddenly kicks upwards the chain stops rotating within a fraction of a second. A deflection guard on the disengaging lever of the chain brake and a loop rear handle ensure that the operator's hands are fully protected at all times.

Kickback tendency increases as the radius or size of the guide bar nose increases. DOLMAR have developed guide bars with small nose radius, to reduce the kickback tendency.

WARNING!

No chain brake prevents kickback. These brakes are designed only to stop the chain, if activated. To ensure a proper operation of the chain brake, it must be properly maintained. Furthermore, there must be a sufficient distance between the operator and the bar to ensure that the chain brake has sufficient time to activate and stop the chain before potential contact with the operator.



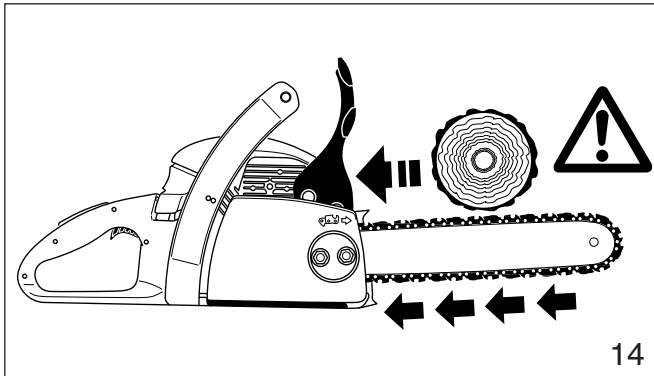
To avoid kickback

The best protection from personal-injury that may result from kickback is to avoid kickback situations:

1. Hold the chain saw firmly with both hands and maintain a secure grip.
2. Be aware of the location of the guide bar nose at all times.
3. Never bring the nose of the guide bar in contact with any object. Do not cut limbs with the nose of the guide bar. Be especially careful with small, tough limbs, small size brush and saplings which may easily catch the chain.
4. Don't overreach.
5. Don't cut above shoulder height.
6. Begin cutting and continue at full throttle.
7. Cut only one log at a time.
8. Use extreme caution when re-entering a previous cut.
9. Do not attempt plunge cuts (see page 14) if you are not experienced with these cutting techniques.
10. Be alert for shifting of the log or other forces that may cause the cut to close and pinch the chain.
11. Maintain saw chain properly. Cut with a correctly sharpened, properly tensioned chain at all times.
12. Stand to the side of the cutting path of the chain saw.

Pushback:

Pushback occurs when the chain on the top of the bar is suddenly stopped when it is pinched, caught or encounters a foreign object in the wood. The reaction of the chain drives the saw straight back toward the operator causing loss of saw control. Pushback frequently occurs when the top of the bar is used for cutting (fig. 14).



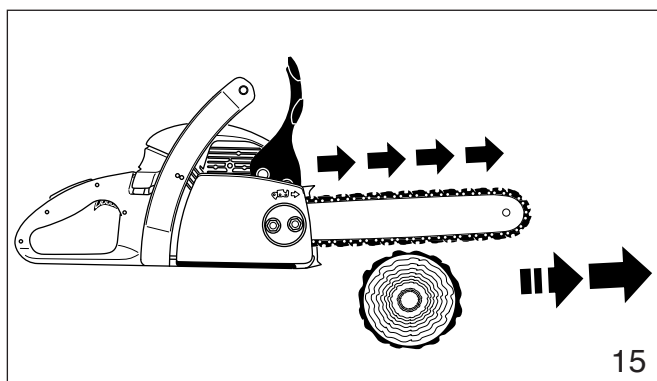
To avoid pushback

1. Be alert to forces or situations that may cause material to pinch the top of the chain.
2. Do not cut more than one log at a time.
3. Do not twist the saw when withdrawing the bar from a plunge cut or under buck cut (figures 25 to 27 and 33, pages 14 and 15), because the chain can pinch.

Pull-in:

Pull-in occurs when the chain on the bottom of the bar is suddenly stopped. The chain on the bottom of the bar stops when it is pinched, caught or encounters a foreign object in the wood (see fig. 15). The reaction of the chain pulls the saw forward, causing the operator to lose control.

Pull-in frequently occurs when the spike bar of the saw is not held securely against the tree or limb and when the chain is not rotating at full speed before it contacts the wood.



WARNING!

Use extreme caution when cutting small size brush and saplings which may easily catch the chain and pull you off balance.

To avoid pull-in

1. Always start a cut with the chain rotating at full speed and the spike bar in contact with the wood.
2. Pull-in may also be prevented by using plastic wedges to open the kerf or cut.

Cutting techniques

Felling

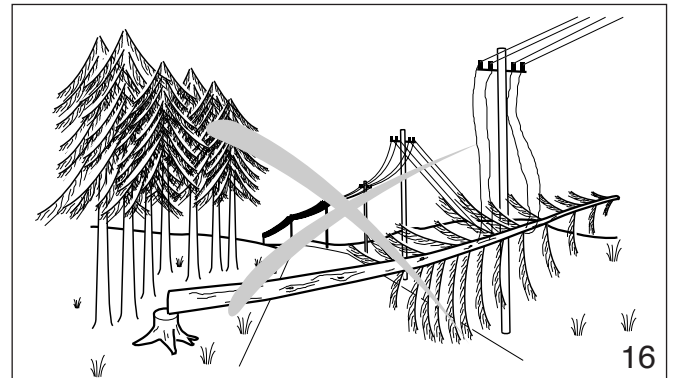
Felling is cutting down a tree.

Before felling a tree, consider carefully all conditions which may affect the direction of fall, including:

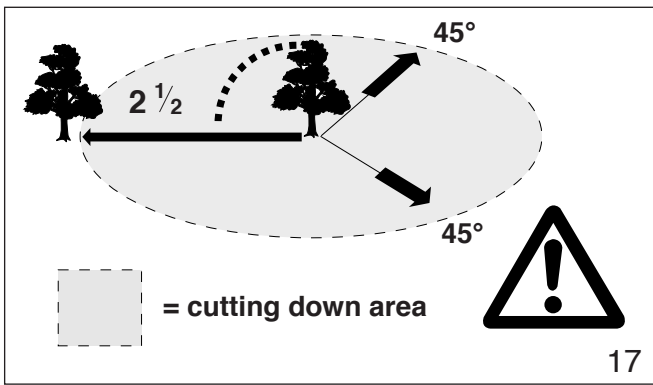
- The intended direction of the fall.
- The neutral lean of the tree.
- Any unusually heavy limb structure.
- Surrounding trees and obstacles.
- The wind direction and speed.

WARNING!

Always observe the general condition of the tree. Look for decay and rot in the trunk. If it is rotted inside, it could snap and fall toward the operator while being cut. Also look for broken or dead branches which could vibrate loose and fall on the operator. When felling on a slope, the operator should stand on the up-hill side.



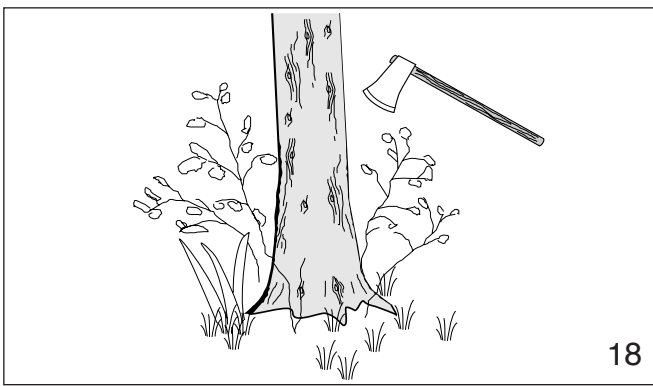
When felling in the vicinity of roads, railways and power lines, etc., take extra precautions (see fig. 16). Inform the police, utility company or railway authority before beginning to cut.



When felling, maintain a distance of at least 2 1/2 tree lengths from the nearest person (see fig. 17).

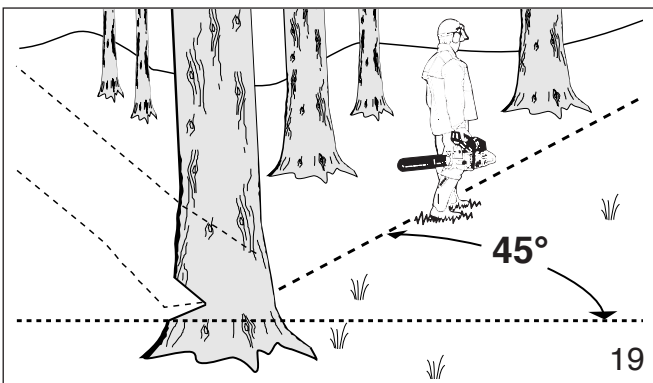
Note:

The noise of your engine may drown any warning call.

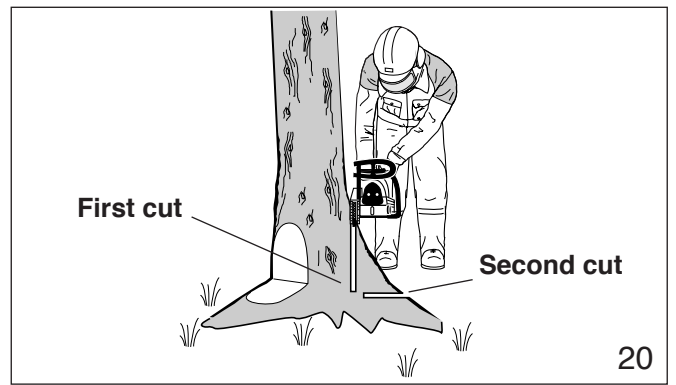


Felling instructions:

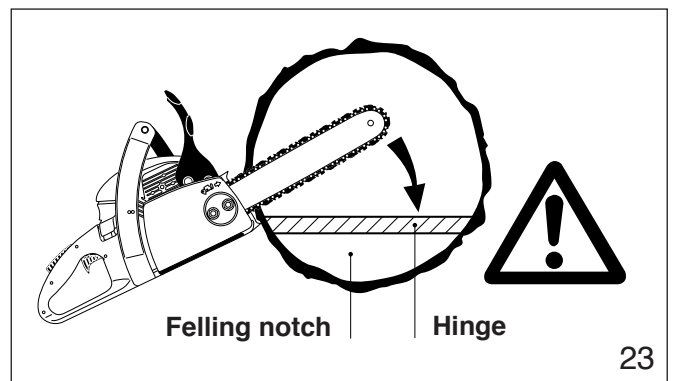
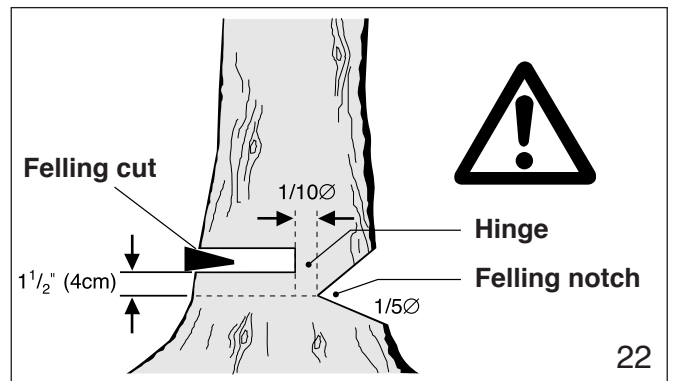
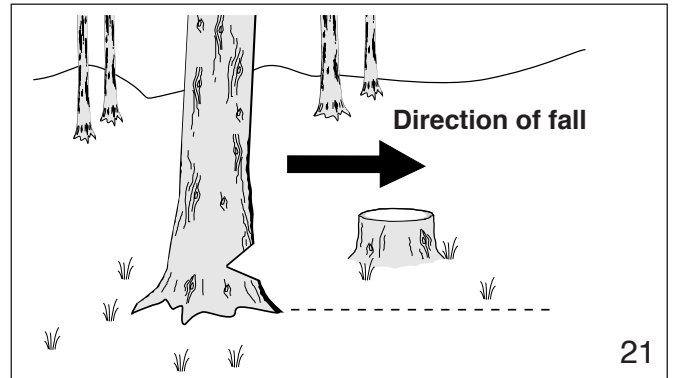
First clear the tree base and work area from interfering limbs and brush and clean its lower portion with an axe (see fig. 18).



Then, establish a path of escape and remove all obstacles. This path should be opposite to the planned direction of the fall of the tree and at a 45° angle (fig. 19). An alternate path must also be selected. Place all tools and equipment a safe distance away from the tree, but not on the escape path.



If the tree has large buttress roots, cut into the largest buttresses vertically first (horizontally next) and remove (fig. 20).



Then, determine the placement of the felling notch (fig. 21). The felling notch when properly placed determines the direction in which the tree will fall. It is made perpendicular to the line of fall and should be as close to the ground as possible. Cut the felling notch to a depth of about one-fifth to one-fourth of the trunk diameter (fig. 22). It should be in no case higher than it is deep. Make the felling notch very carefully.

Begin the felling cut slightly higher than the felling notch and on the opposite side of the tree (fig. 22). Then cut horizontally through towards the felling notch. Apply the chain saw with its spikes directly behind the uncut portion of wood and cut toward the notch (fig. 23). Leave approximately 1/10 of the tree diameter uncut! This is the hinge (fig. 23). Do not cut through the hinge because you could lose control of the direction of the fall. Drive wedges into the felling cut where necessary to control the direction of the fall. Wedges should be of wood, light alloy or plastic - never of steel, which can cause kickback and damage to the chain.

Always keep to the side of the falling tree. When the tree starts to fall, shut off the engine, withdraw the bar and walk away on the pre-planned escape path. Watch out for falling limbs.

WARNING!

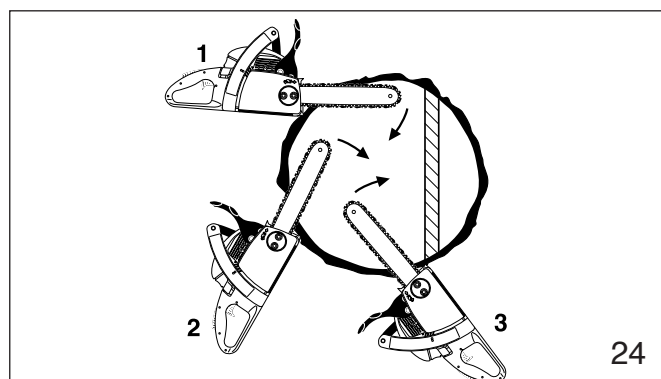
Be extremely careful with partially fallen trees which are poorly supported.

When the tree hangs or for some other reason does not fall completely, set the saw aside and pull the tree down with a cable winch, block and tackle or tractor. If you try to cut it down with your saw, you may be injured.

Sectioning Method

WARNING!

Felling a tree that has a diameter greater than the length of the guide bar requires use of either the sectioning or plunge-cut method. These methods are extremely dangerous because they involve the use of the nose of the guide bar and can result in kickback. Only properly trained professionals should attempt these techniques.



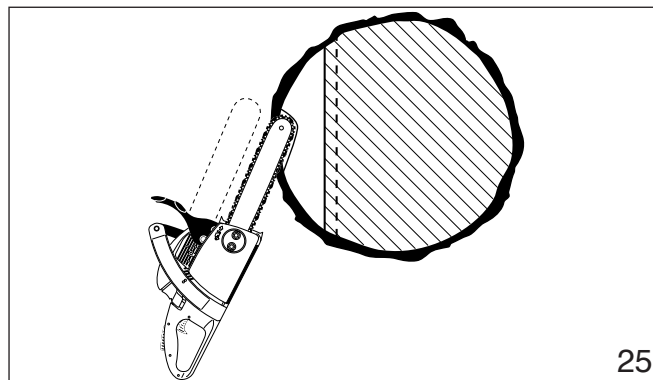
For the sectioning method (fig. 24) make the first cut with the guide bar fanning in toward the hinge. Then, using the bumper spike as a pivot, reposition the saw for the next cut. Avoid repositioning the saw more than necessary. When repositioning for the next cut, keep the guide bar fully engaged in the kerf to keep the felling cut straight. If the saw begins to pinch, insert a wedge to open the cut. On the last cut, do not cut the hinge.

Plunge-Cut Method

Timber having a diameter more than twice the length of the guide bar requires the use of the plunge-cut method before making the felling cut.

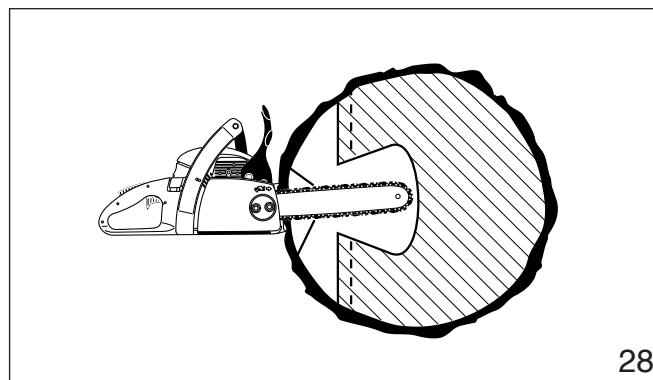
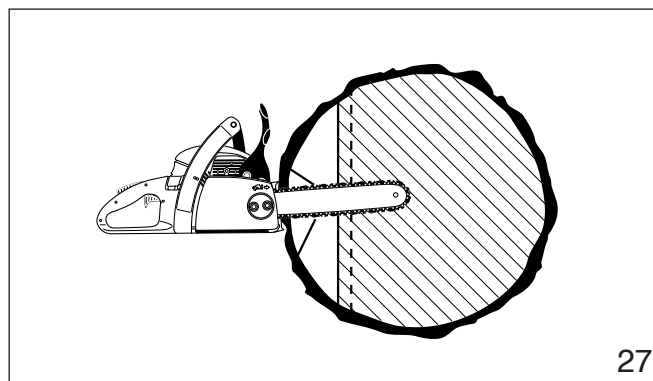
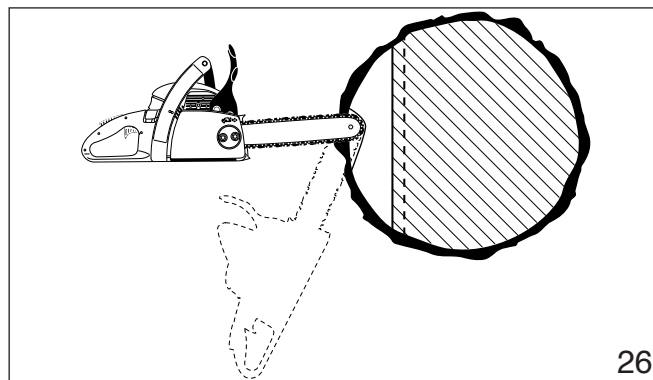
First, cut a large, wide notch. Make a plunge cut in the center of the notch.

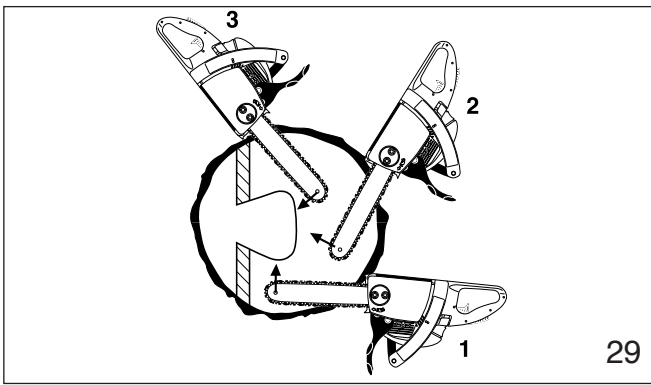
The plunge cut is made with the guide bar nose. Begin the plunge cut by applying the lower portion of the guide bar nose to the tree at an angle (fig. 25). Cut until depth of the kerf is about the same as the width of the guide bar (fig. 26). Next, align the saw in the direction in which



the recess is to be cut. With the saw at full throttle, insert the guide bar in the trunk (fig. 27).

Enlarge the plunge cut as shown in illustration (fig. 28).





WARNING!

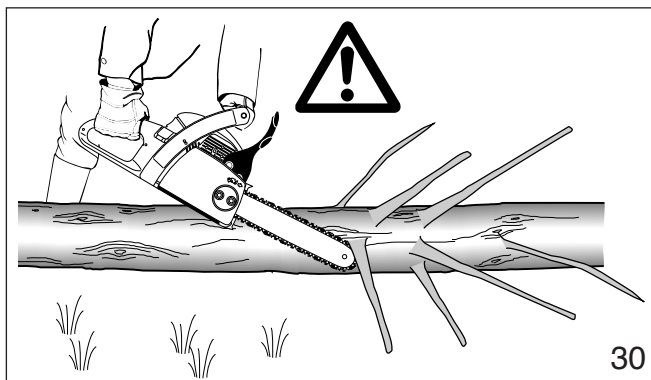
There is an extreme danger of kickback at this point. Extra caution must be taken to maintain control of the saw. To make the felling cut, follow the sectioning method described previously (fig. 29). If you are inexperienced with a chain saw plunge-cutting should not be attempted. Seek the help of a professional.

Limbing

Limbing is removing the branches from a fallen tree.

WARNING!

There is an extreme danger of kickback during the limbing operation. Do not work with the nose of the bar. Be extremely cautious and avoid contacting the log or other limbs with the nose of the guide bar. Do not stand on a log while limbing it - you may slip or the log may roll.

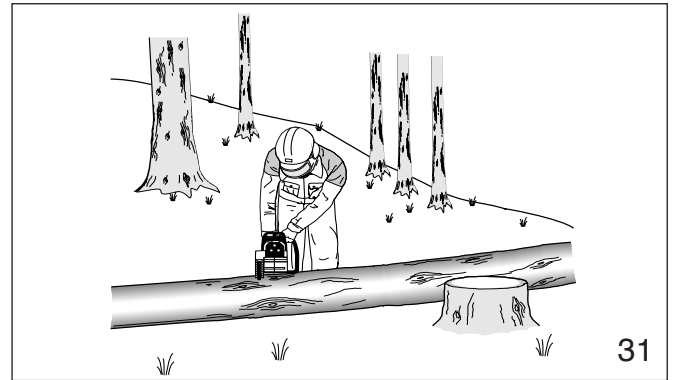


WARNING!

Be extremely cautious when cutting limbs under tension. The limbs could spring back toward the operator and cause loss of control of the saw or injury to the operator.

Bucking

Bucking is cutting a log into sections.



WARNING!

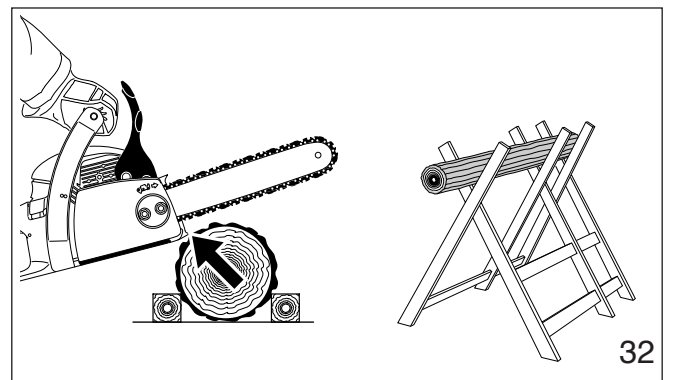
1. When bucking, do not stand on the log. Make sure the log will not roll down-hill. If on a slope, stand on the up-hill side of the log (see fig. 31). Watch out for rolling logs.

WARNING!

2. Cut only one log at a time.

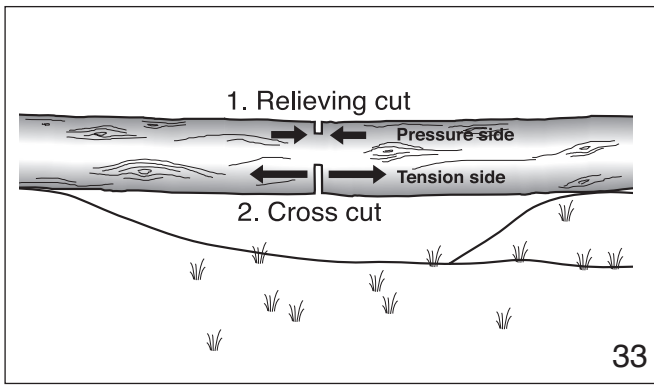
WARNING!

3. Shattered wood should be cut very carefully. Sharp slivers of wood may be caught and flung in the direction of the operator of the saw.

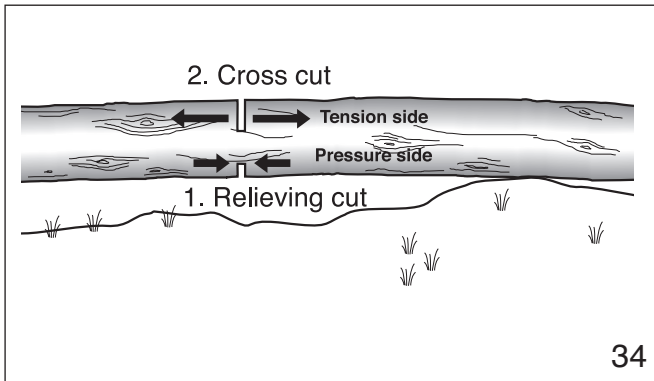


WARNING!

4. When cutting small logs, use a sawhorse (fig. 32). Never permit another person to hold the log. Never hold the log with your leg or foot.



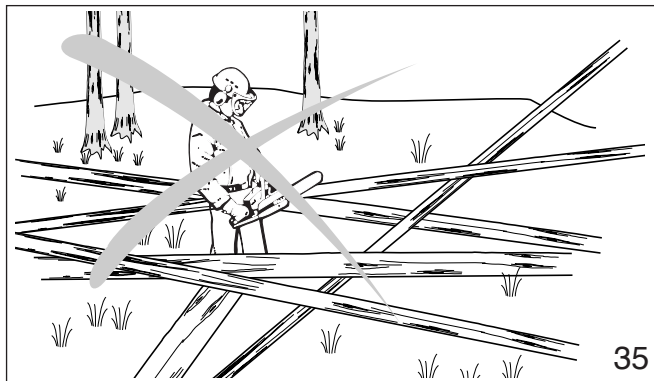
33



34

WARNING!

- Logs under strain require special attention to prevent the saw from pinching. The first cut is made on the compression side to relieve the stress on the log (see fig. 33, 34). The bucking cut is then made as shown. If the saw pinches, stop the engine and remove it from the log.



35

WARNING!

- Only properly trained professionals should work in an area where the logs, limbs and roots are tangled (i. e. a blowdown area, fig. 35). Working in blowdown areas is extremely hazardous.

WARNING!

- Drag the logs into a clear area before cutting. Pull out exposed and cleared logs first.

Maintenance and Repair

Never operate a chain saw that is damaged, improperly adjusted or not completely or securely assembled. Follow the maintenance and repair instructions in the appropriate section of this manual.

WARNING !

Always stop the engine and make sure that the chain is stopped before commencing any maintenance or repair work or cleaning the saw. Do not attempt any maintenance or repair work not described in this manual. Have such work performed by your DOLMAR service shop only.

Maintaining and storing the saw

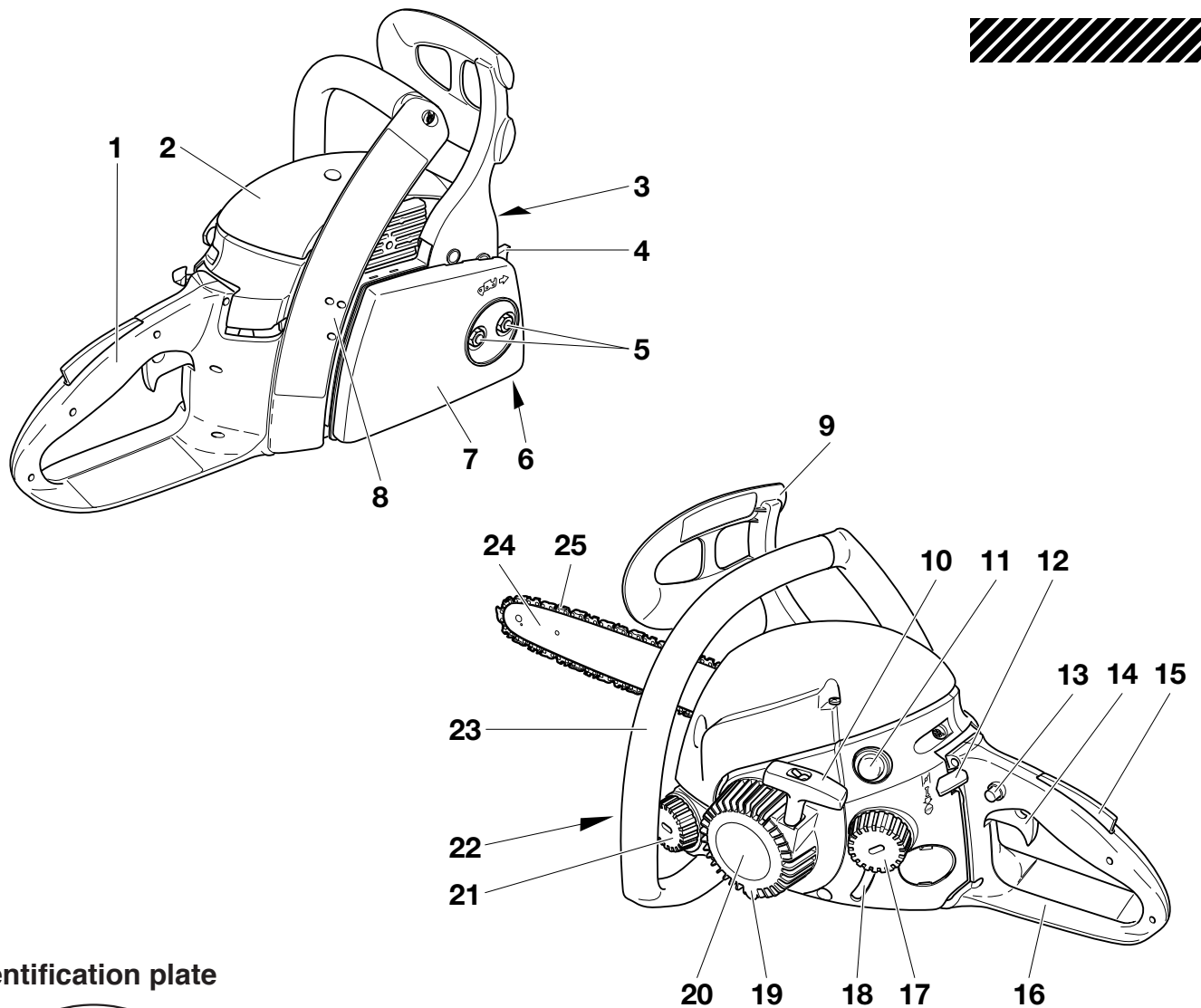
Keep the chain, bar and sprocket clean and lubricated; replace worn sprockets or chains.

Keep the chain sharp. You can spot a dull chain when easy-to-cut wood becomes hard to cut and burn marks appear on the wood.

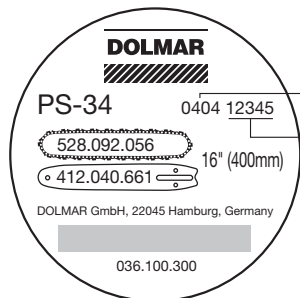
Keep the chain at proper tension. Tighten all nuts, bolts and screws except the carburetor adjustment screws after each use.

Keep spark plug and wire connection tight and clean.

Store saws in a high or locked place, away from children.



Identification plate



Year of manufacture

Serial number

Indicate when ordering spare parts!

- | | |
|--|--|
| <ul style="list-style-type: none"> 1 Rear handle 2 Filter cover 3 Muffler with spark arrester screen 4 Spike bar
(toothed stop for holding saw steady against wood) 5 Retaining nuts 6 Chain catch 7 Sprocket guard 8 Adjusting screws for carburetor 9 Hand guard (release for chain brake) 10 Starter grip 11 Fuel pump (Primer) 12 Combination Start/Stop (I/O) switch, choke | <ul style="list-style-type: none"> 13 Stop knob for halfway throttle 14 Throttle lever 15 Throttle stopper 16 Rear hand guard 17 Fuel tank cap 18 Field of vision for fuel 19 Fan housing with starting assembly 20 Identification plate 21 Oil tank cap 22 Field of vision for oil 23 Tubular handle 24 Guide bar 25 Chain |
|--|--|

Technical data	PS-34
Single-cylinder two-stroke	
Piston displacement	2.0 cu. in (33 cm ³)
Cylinder bore	1.45" (37 mm)
Piston stroke	1.22" (31 mm)
Max. power at speed	1.3/9,000 kW/rpm
Max. torque at speed	1.7/6,500 Nm/rpm
Idling speed	2,800 rpm
Sound Pressure Level at the operator's ear at full load according to ANSI B 175.1	98 db(A)
Sound Pressure Level at the bystander's position (50ft/15 m distance) according to ANSI B 175.1	73 db(A)
Ignition system	
Electronic, without breaker	
Spark plug	NGK BPMR 7A
or Spark plug	
Electrode gap	.020" (0.5 mm)
Fuel system	
Carburetor (for Canada)	ZAMA with limiter caps
Carburetor (for USA)	ZAMA with limiter caps
(all position diaphragm carburetor with integral fuel pump)	
Fuel tank capacity	13.0 oz. (0.37 l)
Fuel mixture	see chapter "Fuel"
Weight	
without cutting attachment	10 lbs. 5 oz. (4.7 kg)
Cutting attachment	
Guide bar	sprocket nose bar
Cutting length	14" (35 cm) • 16" (40 cm)
Safety saw chain (pitch) 3/8"	(528 092 ...)
Drive link gauge	.050"
Chain sprocket	6 teeth
Chain lubrication	fully automatic oil pump
Oil tank capacity	8.8 oz. (0.25 l)

Approved bar and chain combinations

"Low-kickback saw chain is a chain which has met the kickback performance requirements of ANSI B 175.1-1991 (American National Standard for Power Tools-Gasoline-Powered Chain Saws-Safety Requirements) when tested on the representative sample of chain saws below 3.8. C.I.D. specified in ANSI B 175.1-1991". The approved bar and chain combinations are low kickback chains according to ANSI B 175.1-1991 and also meet the kickback requirements of CSA Z62.3-96 for chain saws below 80 cm³.

The chain saw PS-34 has been approved with following guide bar and chain combinations:

Drive link gauge .050"

	Guide bar 3/8"	Saw chain 3/8"
length	Part no.	Part no.
14" (35 cm)	412 035 661	528 092 052
16" (40 cm)	412 040 661	528 092 056

"There may be other replacement bar and chain combinations available that also reduces the risk of injury from kickback".

WARNING

Do not use other replacement bars and chains unless they have been designated as meeting the ANSI B 175.1-1991 (for USA) and CSA Z62.3-96 (for Canada) kickback performance requirements on that specific powerhead, or has been designated as "low kickback" saw chain in accordance with the ANSI B 175.1-1991 (for USA) and CSA Z62.3-96 (for Canada) standard.

PUTTING INTO OPERATION



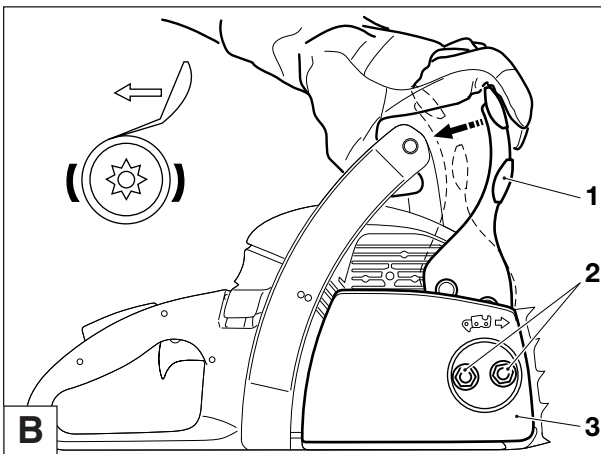
CAUTION:

Before doing any work on the guide bar or chain, always switch off the engine and pull the plug cap off the spark plug (see "Replacing the spark plug"). Always wear protective gloves!

CAUTION:

Start the chain saw only after having assembled it completely and inspected!

A



Mounting the guide bar and saw chain

Use the universal wrench delivered with the chain saw for the following work.

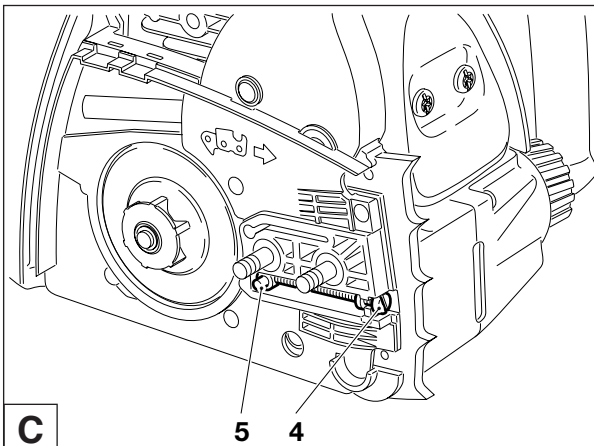
Put the chain saw on a stable surface and carry out the following steps for mounting the guide bar and chain:

Release the chain brake by pulling the hand guard (1) in direction of arrow.

Unscrew retaining nuts (2).

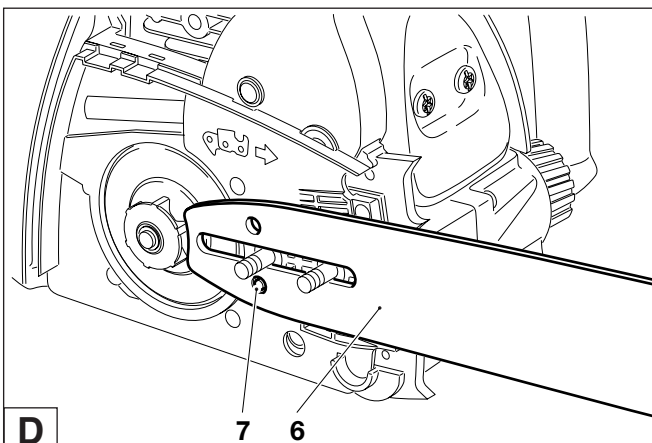
Pull off the sprocket guard (3).

B



Turn the chain adjusting screw (4) to the left (counterclockwise) until the pin (5) is at the left stop.

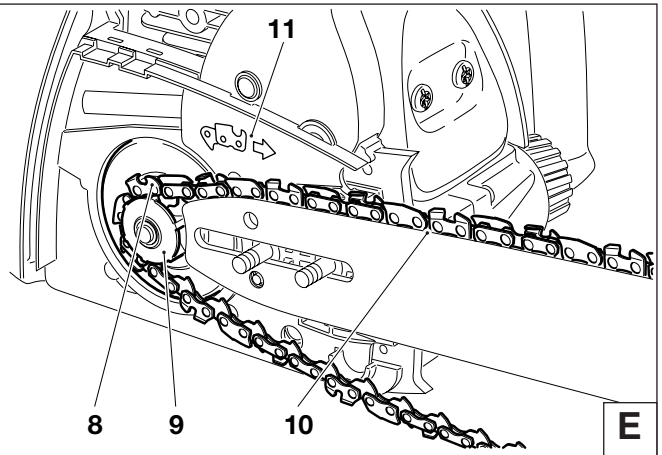
C



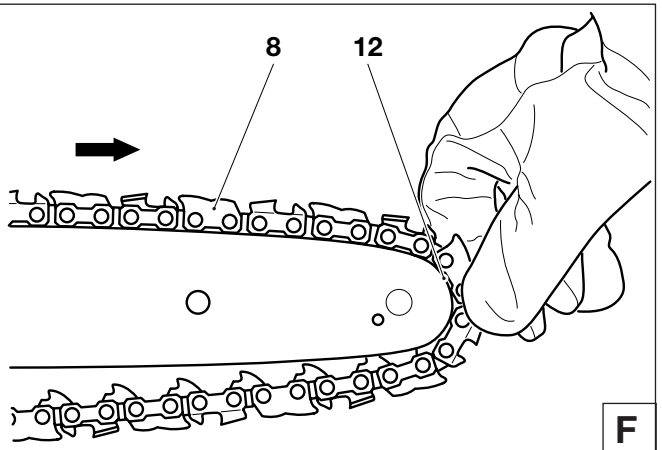
Position the guide bar (6). Make sure that the pin (7) of the chain tightener is in the hole on the guide bar.

D

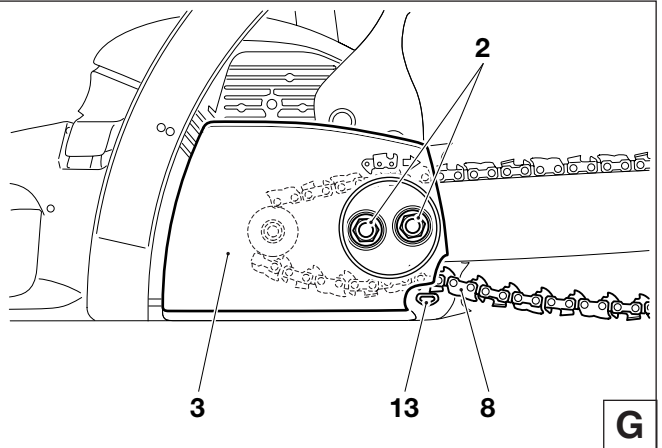
Lift the chain (8) over the sprocket (9). Using your right hand, guide the chain into the top guide groove (10) on the guide bar. The cutting edges along the top of the chain must point in the direction of the arrow (11)!



Pull the chain (8) around the sprocket nose (12) of the guide bar in the direction of the arrow.



Replace the sprocket guard (3), putting the chain (8) over the chain catcher (13). Manually tighten the retaining nuts (2).

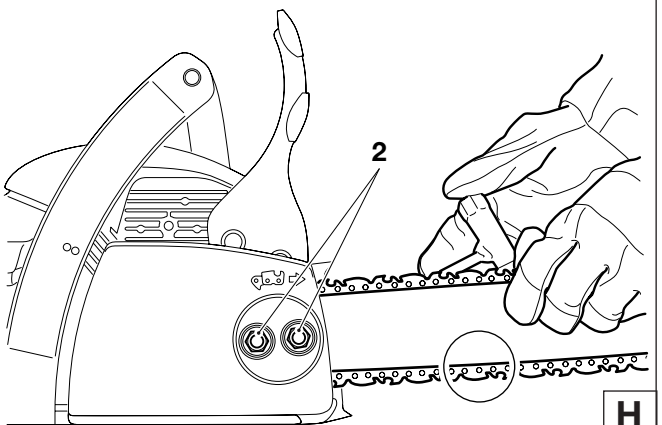


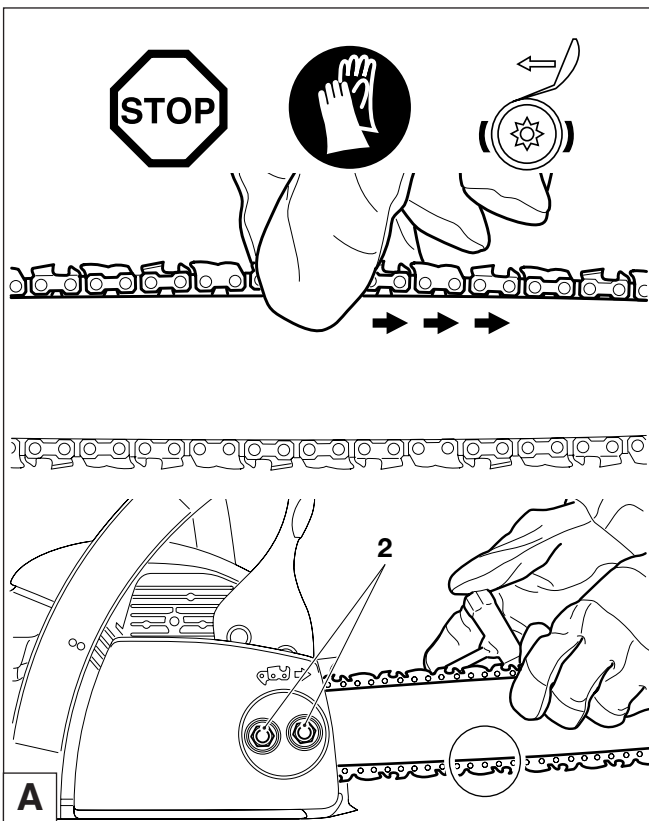
Tightening the saw chain

Turn the chain tightener (C/4) to the right (clockwise) until the chain engages the guide groove of the bottom side of the bar (see circle).

Slightly lift the end of the guide bar and turn the chain adjusting screw (C/4) to the right (clockwise) until the chain rests against the bottom side of the guide bar.

While still holding up the guide bar, tighten the retaining nuts (2) with the universal wrench.





Checking the chain tension

The tension of the chain is correct if the chain rests against the bottom side of the guide bar and can still be easily turned by hand.

While doing so the chain brake must be released.

Check the chain tension frequently - new chains tend to get longer during use!

When checking the chain tension the engine must be switched off.

NOTE:

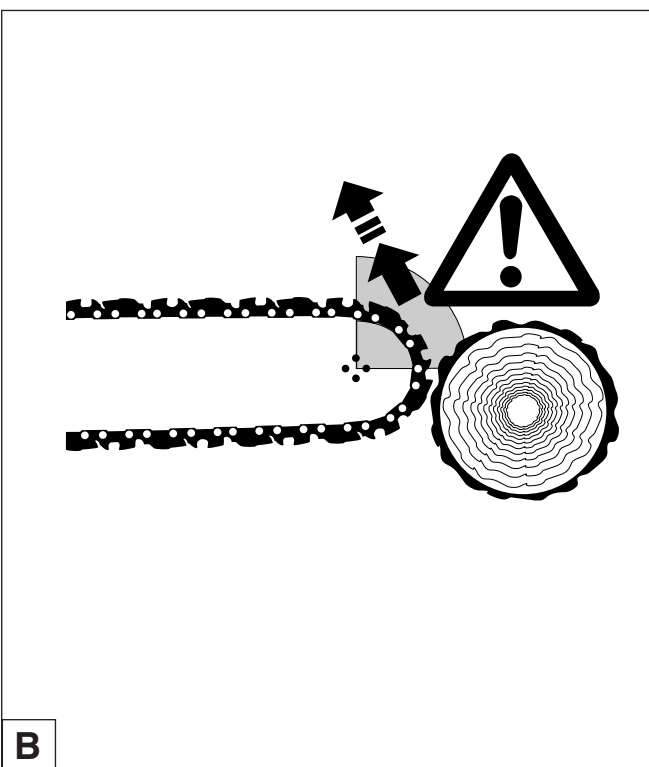
It is recommended to use 2-3 chains alternatively.

In order to guarantee uniform wear of the guide bar the bar should be turned over whenever replacing the chain.

Tightening the saw chain

Turn the retaining nuts (A/2) approximately one turn with the universal wrench. Slightly lift the end of the guide bar and turn the chain adjusting screw to the right (clockwise) until the chain rests against the bottom side of the guide bar.

While still holding up the guide bar, tighten the retaining nuts (A/2) with the universal wrench.



Chain brake

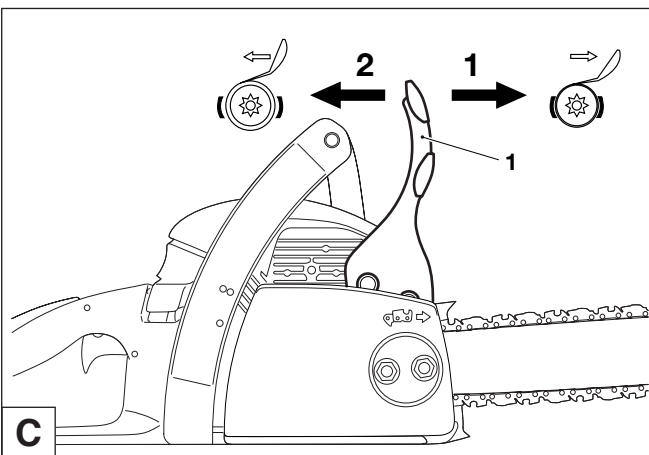
The PS-34 comes with an inertia chain brake as standard equipment. If kickback occurs due to contact of the guide-bar tip with wood (see SAFETY PRECAUTIONS, page 6, 10, 11), the chain brake will stop the chain through inertia if the kickback is sufficiently strong.

The chain will stop within a fraction of a second.

The chain brake is installed to block the saw chain before starting it and to stop it immediately in case of an emergency.

IMPORTANT: NEVER run the saw with the chain brake activated (except for testing, see "Checking the chain brake")! Doing so can very quickly cause extensive engine damage!

ALWAYS release the chain brake before starting the work!



Engaging the chain brake (braking)

If the kickback is strong enough the sudden acceleration of the guide bar combined with the inertia of the hand guard (1) will **automatically** actuate the chain brake.

To engage the chain brake **manually**, simply push the hand guard (1) forward (towards the tip of the saw) with your left hand (arrow 1).

Releasing the chain brake

Pull the hand guard (1) towards you (arrow 2) until you feel it catch. The brake is now released.

Fuel

CAUTION:

This saw is powered by mineral-oil products (gasoline (petrol) and oil).

Be especially careful when handling gasoline (petrol).

Avoid all flame or fire. Do not smoke (explosion hazard).

Fuel mixture

The engine of the chain saw is a high-efficiency two-stroke engine. It runs on a mixture of gasoline and two-stroke engine oil.

The engine is designed for unleaded regular gasoline with a min. octane value of 91 ROZ. In case no such fuel is available, you can use fuel with a higher octane value. This will not affect the engine.

In order to obtain an optimum engine output and to protect your health and the environment use unleaded fuel only.

For lubricating the engine use a two-stroke engine oil (quality grade: JASO FC or ISO EGD), which is added to the fuel. The engine has been designed for use of DOLMAR High Performance two-stroke engine oil and a mixture ratio of ONLY 50:1 to protect the environment. In addition, a long service life and reliable operation with a minimum emission of exhaust gases are ensured. DOLMAR High Performance two-stroke engine oil is available in the following sizes:

2.6 oz order number 986 100 100

6.4 oz order number 986 100 101

In case DOLMAR High Performance two-stroke engine oil is not available, it is urgently recommended to use a mixture ratio of 40:1 with other two-stroke engine oils, as otherwise optimum operation of the engine cannot be guaranteed.

The correct mixture ratio:

50:1 when using DOLMAR high-performance two-stroke engine oil, i. e. mix 50 parts gasoline with 1 part oil.

40:1 when using other two-stroke engine oils, i. e. mix 40 parts gasoline with 1 part oil.

NOTE:

For preparing the fuel-oil mixture first mix the entire oil quantity with half of the fuel required, then add the remaining fuel. Shake the mixture thoroughly before pouring it into the tank.

It is not wise to add more engine oil than specified to ensure safe operation. This will only result in a higher production of combustion residues which will pollute the environment



Gasoline		50:1 DOLMAR oil	40:1 other oil
	+		
1.0 Us-gal. (3.7 l)		2.6 floz. (75 cm ³)	3.2 floz. (94 cm ³)
2.5 Us-gal. (9.4 l)		6.4 floz. (189 cm ³)	8.0 floz. (236 cm ³)
5.0 Us-gal. (18.9 l)		12.8 floz. (378 cm ³)	16.0 floz. (473 cm ³)

and clog the exhaust channel in the cylinder as well as the muffler. In addition, fuel consumption will rise and performance will decrease.

Storage:

Fuels have a limited storage life. Fuel and fuel mixtures age through evaporation, especially at high temperatures. Aged fuel and fuel mixtures can cause starting problems and damage the engine. Purchase only that amount of fuel, which will be consumed over the next few months. At high temperatures, once fuel has been mixed it should be used up in 6-8 weeks.

Use only approved and marked containers for transport and storage. Store fuel only in dry, cool and secure locations!

AVOID SKIN AND EYE CONTACT

Mineral oil products degrease your skin. If your skin comes in contact with these substances repeatedly and for an extended period of time, it will desiccate. Various skin diseases may result. In addition, allergic reactions are known to occur.

Eyes can be irritated by contact with oil. If oil comes into your eyes, immediately wash them with clear water.

If your eyes are still irritated, see a doctor immediately!

D

Chain oil



Use an oil with adhesive additive for lubricating the chain and guide bar. The adhesive additive prevents the oil from being flung off the chain too quickly.

We recommend the use of chain oil which is bio-degradable in order to protect the environment. The use of bio-degradable oil may even be required by local regulations.

The chain oil BIOTOP sold by DOLMAR is made of special vegetable oils and is 100% bio-degradable. BIOTOP has been granted the "blue angel" (Blauer Umweltschutz-Engel) for being particularly environment-friendly (RAL UZ 48).



BIOTOP chain oil is available in the following sizes:

1 l

5 l

20 l

Bio-degradable oil is stable only for a limited period of time. It should be used within 2 years from the date of manufacture (printed on the container).

E

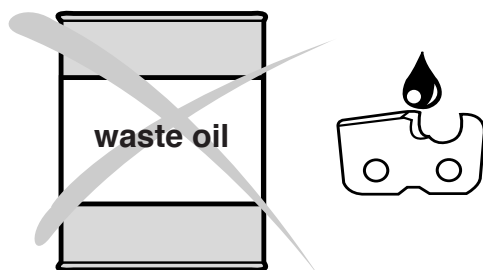
Important note on bio-degradable chain oils:

If you are not planning to use the saw again for an extended period of time, empty the oil tank and put in a small amount of regular **engine oil** (SAE 30), and then run the saw for a time. This is necessary to flush out all remaining bio-degradable oil from the oil tank, oil-feed system, chain and guide bar, as many such oils tend to leave sticky residues over time, which can cause damage

to the oil pump or other parts.

The next time you use the saw, fill the tank with BIOTOP chain oil again. In case of damage caused by using waste oil or inappropriate chain oil the product guarantee will be null and void.

Your salesman will inform you about the use of chain oil.



NEVER USE WASTE OIL

Waste oil is very dangerous for the environment.

Waste oil contains high amounts of carcinogenic substances. Residues in waste oil result in a high degree of wear and tear at the oil pump and the sawing device.

In case of damage caused by using waste oil or inappropriate chain oil the product guarantee will be null and void.

Your salesman will inform you about the use of chain oil.

AVOID SKIN AND EYE CONTACT

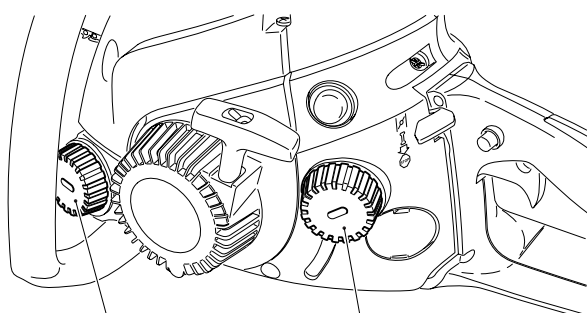
Mineral oil products degrease your skin. If your skin comes in contact with these substances repeatedly and for an extended period of time, it will desiccate. Various skin diseases may result. In addition, allergic reactions are known to occur.

Eyes can be irritated by contact with oil. If oil comes into your eyes, immediately wash them with clear water.

If your eyes are still irritated, see a doctor immediately!

A

Refuelling



FOLLOW THE SAFETY PRECAUTIONS ON PAGE 8!

Be careful and cautious when handling fuels.

The engine must be switched off!

Thoroughly clean the area around the caps, to prevent dirt from getting into the fuel or oil tank.

Unscrew the cap and fill the tank with fuel (fuel/oil mixture) or chain oil as the case may be. Fill up to the bottom edge of the filler neck. Be careful not to spill fuel or chain oil!

Tightly screw on the cap.

After refuelling, clean screw cap, tank and check for leaks.

Lubricating the chain



During operation there must always be sufficient chain oil in the chain-oil tank to provide good chain lubrication. One filling is sufficient for about one half-hour of continuous operation. While working make sure there is enough chain oil in the tank. If necessary, add oil. **The engine must be switched off!**

B

Checking the chain lubrication

Never work with the chain saw without sufficient chain lubrication. Otherwise the service life of the chain and guide bar will be reduced.

Before starting work check the oil level in the tank and the oil feed.

Check the oil feed rate as described below:

Start the chain saw (see "Starting the engine").

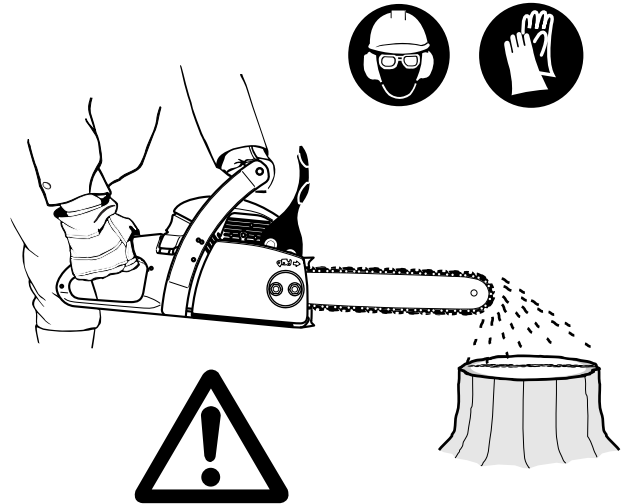
Hold the running chain saw approx. 6" (15 cm) above a trunk or the ground (use an appropriate base).

If the lubrication is sufficient, you will see a light oil trace because oil will be flung off the sawing device. Pay attention to the direction the wind is blowing and avoid unnecessary exposure to the oil spray!

Note:

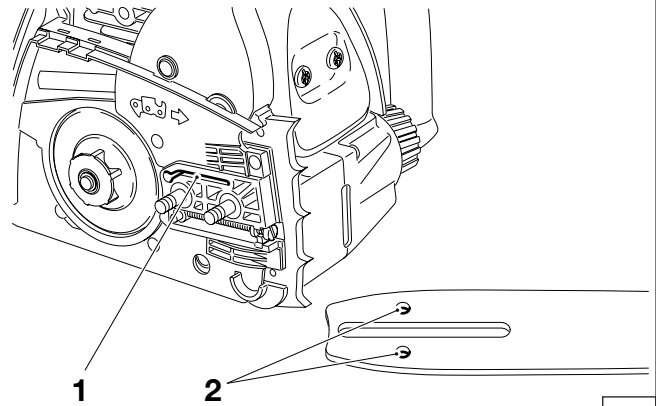
After the saw has been turned off it is normal for residual chain oil to drip from the oil feed system, the guide bar and the chain for a time. This does not constitute a defect!

Place the saw on a suitable surface.

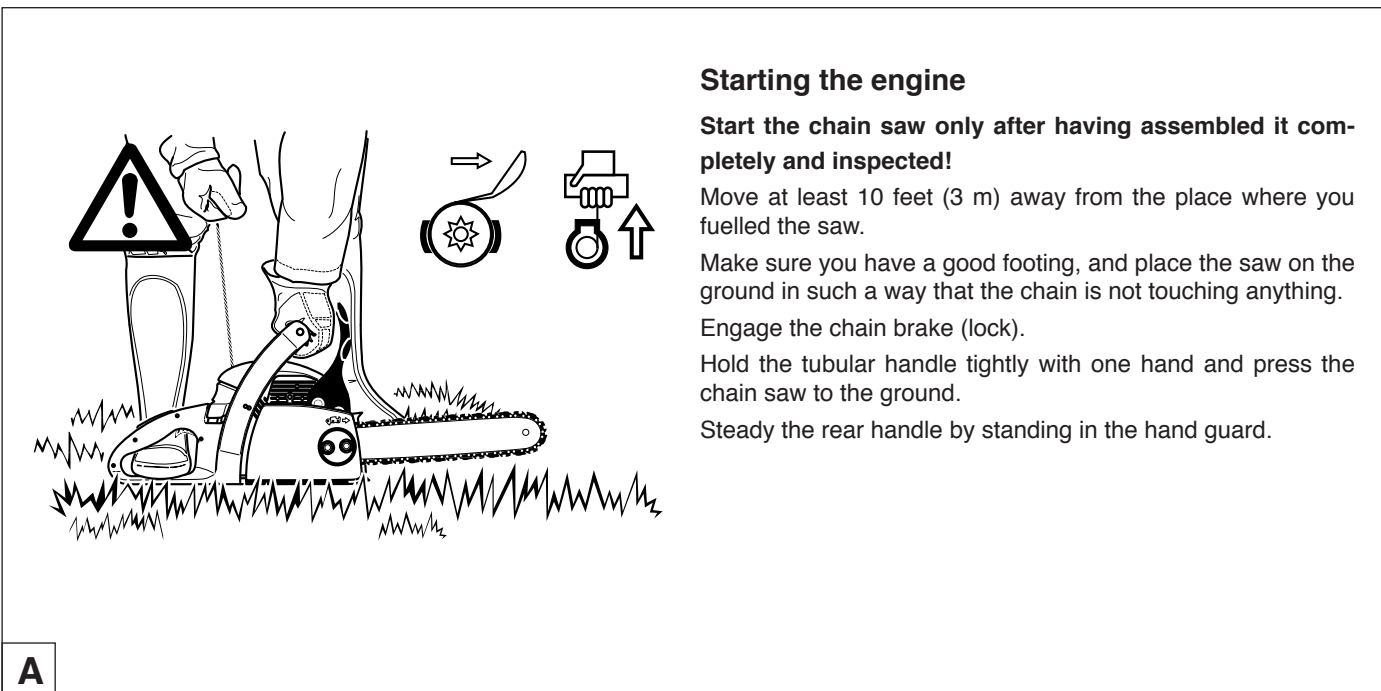


C

To ensure troublefree operation of the oil pump the oil guide groove at the crankcase (1) and the oil inlet bore in the guide bar (2) must be cleaned regularly.



D



A

Starting the engine

Start the chain saw only after having assembled it completely and inspected!

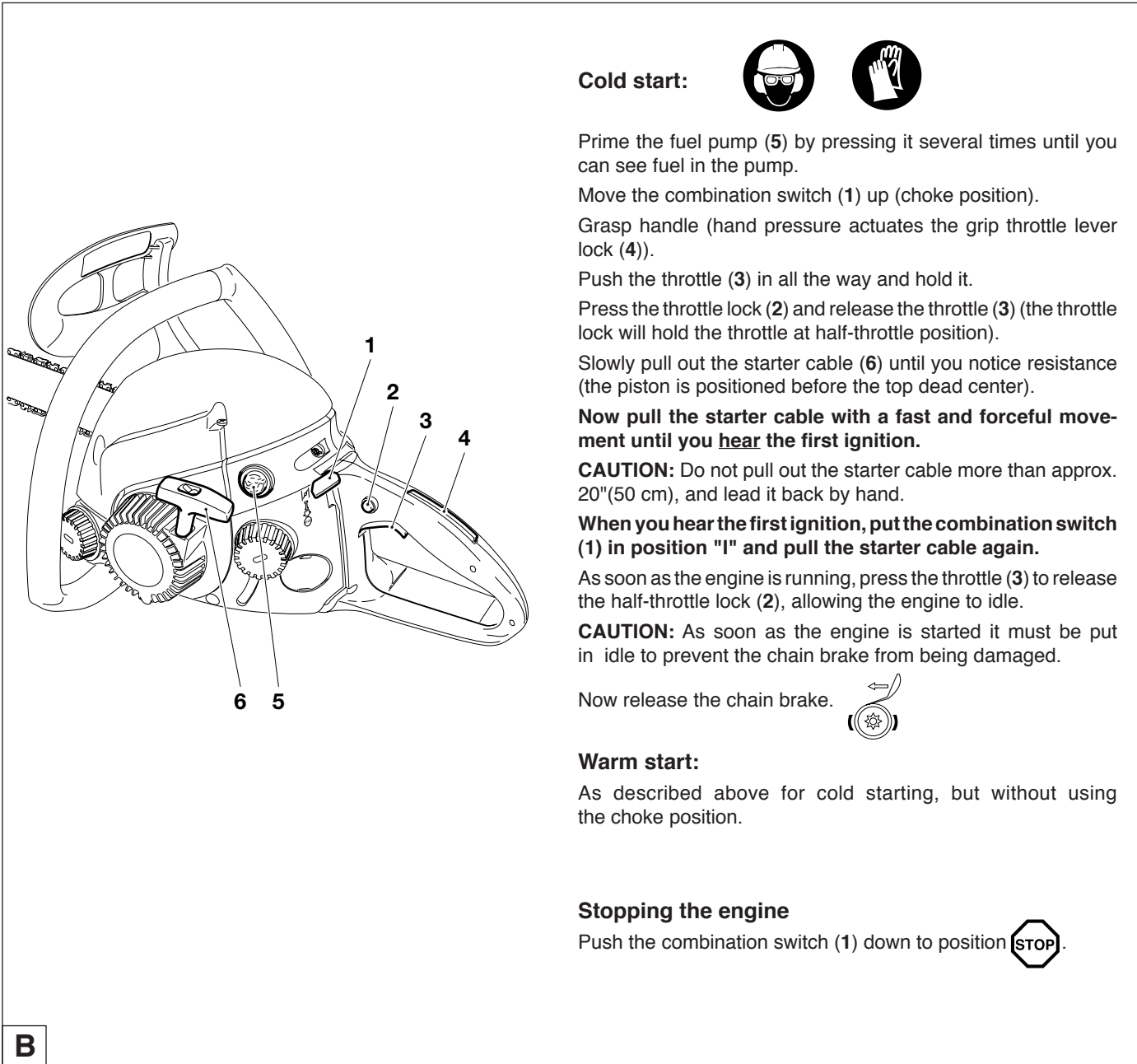
Move at least 10 feet (3 m) away from the place where you fuelled the saw.

Make sure you have a good footing, and place the saw on the ground in such a way that the chain is not touching anything.

Engage the chain brake (lock).

Hold the tubular handle tightly with one hand and press the chain saw to the ground.

Steady the rear handle by standing in the hand guard.



B

Cold start:



Prime the fuel pump (5) by pressing it several times until you can see fuel in the pump.

Move the combination switch (1) up (choke position).

Grasp handle (hand pressure actuates the grip throttle lever lock (4)).

Push the throttle (3) in all the way and hold it.

Press the throttle lock (2) and release the throttle (3) (the throttle lock will hold the throttle at half-throttle position).

Slowly pull out the starter cable (6) until you notice resistance (the piston is positioned before the top dead center).

Now pull the starter cable with a fast and forceful movement until you hear the first ignition.

CAUTION: Do not pull out the starter cable more than approx. 20" (50 cm), and lead it back by hand.

When you hear the first ignition, put the combination switch (1) in position "I" and pull the starter cable again.

As soon as the engine is running, press the throttle (3) to release the half-throttle lock (2), allowing the engine to idle.

CAUTION: As soon as the engine is started it must be put in idle to prevent the chain brake from being damaged.

Now release the chain brake.



Warm start:

As described above for cold starting, but without using the choke position.

Stopping the engine

Push the combination switch (1) down to position .

Checking the safety chain brake

Do not work with the saw without first checking the chain brake!

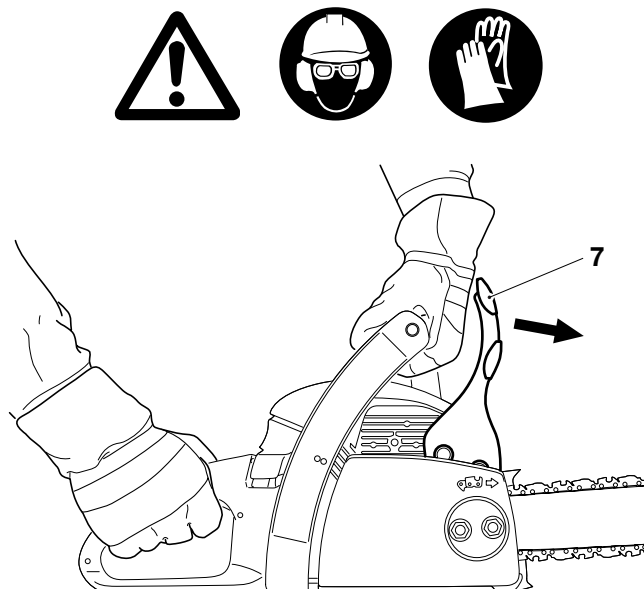
Start the engine as described (make sure you have a good footing, and place the saw on the ground in such a way that the blade is free of contact).

Grasp the tubular handle firmly with one hand and hold the rear handle with the other.

With the engine running at moderate speed, press the hand guard (7) in the direction of the arrow with the back of your hand until the chain brake engages. The chain should stop immediately.

Immediately release the throttle and release the chain brake.

IMPORTANT: If the chain does not stop immediately when you test the chain brake, do NOT use the saw! Take the saw to a DOLMAR service center for repair.



C

Adjusting the carburetor

Carburetor adjustment is necessary for optimum engine performance, for safer and more economical operation. The engine should be warm, the air filter clean, and the chain properly tensioned. Have carburetor adjustment done by an authorised DOLMAR service center.

Never make any changes or adjustments to the basic settings for the idle nozzle (L) or main nozzle (H), as this can cause damage to the engine!

The carburetor is factory-adjusted for the air pressure at sea level. At other elevations or under other conditions of weather, temperature, or humidity, or when breaking in a new engine, it may be necessary to make slight adjustments to the carburetor.

DOLMAR



SERVICE



Adjusting the idle speed

Before adjusting the carburetor, run the engine 3-5 minutes to warm it up, but not at high speeds!

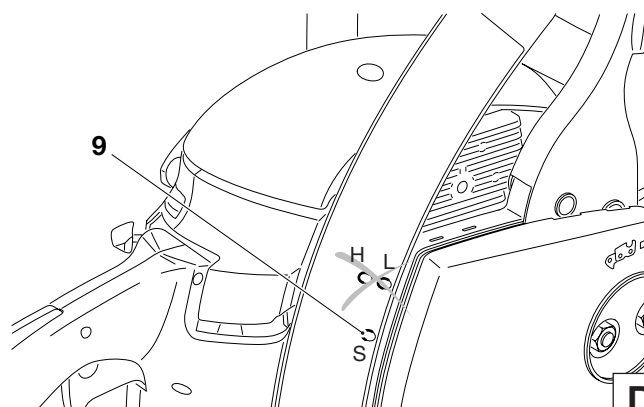
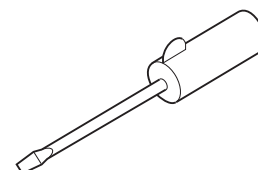
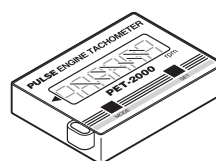
Use a screwdriver (0.16" blade) for the adjustment. The correct size screwdriver is available as an accessory.

If the chain moves on idle although the throttle is not pressed, the idle speed is too high and must be reduced. Screw out the adjusting screw (9) counter-clockwise in small increments, until the chain no longer moves.

If the engine is running unevenly (tends to go out), the idle speed is too low and needs to be increased. Screw in the adjusting screw (9) clockwise in small increments until the engine runs evenly.

Important: the chain must not move in idle!

If these steps do not take care of the problem, do not use the chainsaw! Take it to a DOLMAR service center.



D

MAINTENANCE

Sharpening the saw chain



CAUTION: Before doing any work on the guide bar or chain, always switch off the engine and pull the plug cap off the spark plug (see "Replacing the spark plug"). Always wear protective gloves!

The chain needs sharpening when:

The sawdust produced when sawing damp wood looks like wood flour.

The chain penetrates the wood only under great pressure.

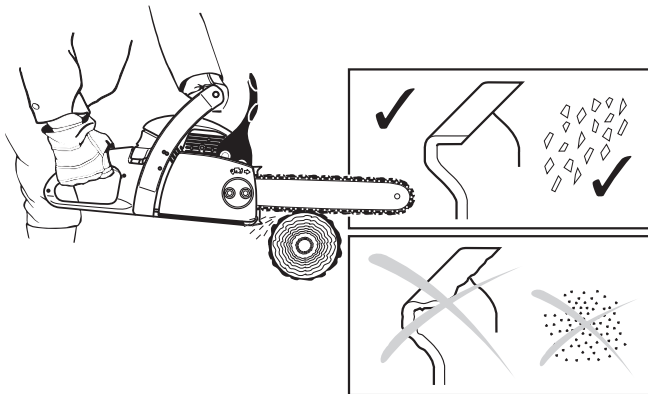
The cutting edge is visibly damaged.

The saw is pulled to the left or right when sawing. This is caused by uneven sharpening of the chain.

Important: Sharpen frequently, but without removing too much metal!

Generally, 2 or 3 strokes of the file will be enough.

Have the chain resharpened at a service center when you have already sharpened it yourself several times.



A

Proper sharpening:

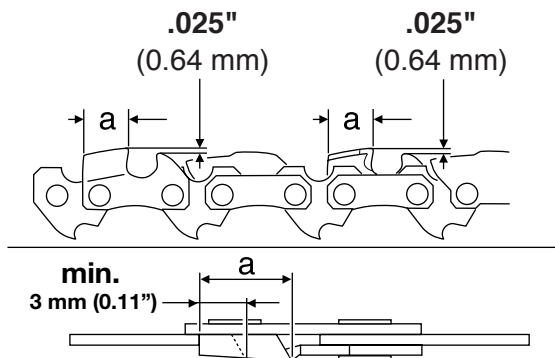
CAUTION: Use only chains and guide bars designed for this saw (see the Extract from the spare-parts list)!

All cutters must be of the same length (dimension a). Cutters with different lengths result in rough running of the chain and can cause cracks in the chain.

Minimum cutter length is 0.11" (3 mm). Do not resharpen the chain when the minimum cutter length has been reached; at this point, the chain must be replaced (see the Extract from the spare-parts list and "Replacing the chain").

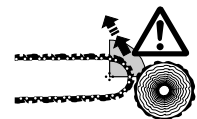
The depth of the cut is determined by the difference in height between the depth limiter (round nose) and the cutting edge.

The best results are obtained with the depth-limiter depth of .025" (0.64 mm).

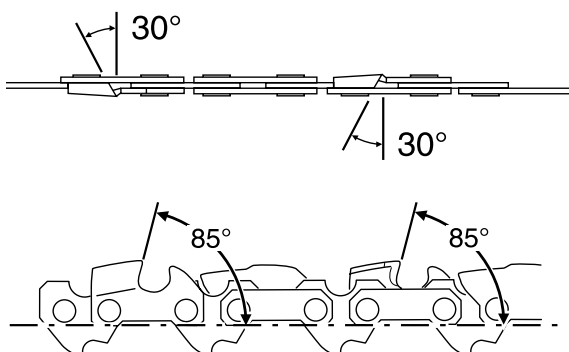


CAUTION:

Excessive depth increases the risk of kickback!



B



All cutters must be sharpened to the same angle, 30°. Different angles result in a roughly, irregularly running chain, increase wear and tear and cause chain breakage.

The 85° front rake of the cutter results from the cut depth of the round file. If the proper file is used in the right manner, the correct front rake will be obtained automatically.

C

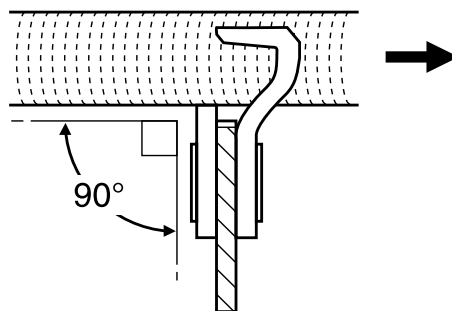
Files and how to work with them

Sharpen using a special file holder with a saw chain round file dia. 5/32" (4.0 mm). Normal round files are not appropriate for this work. See "Accessories" for the order number.

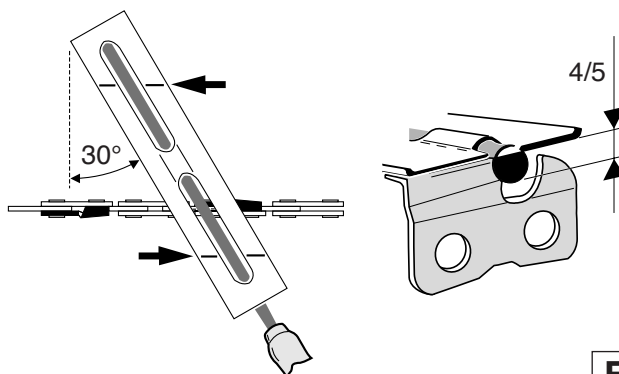
The file should cut only when pushed forwards (arrow). Lift the file when leading it backwards.

First sharpen the shortest cutter. The length of this cutter is then the standard for all other cutters of the chain.

Always guide the file horizontally (90° to the guide bar).



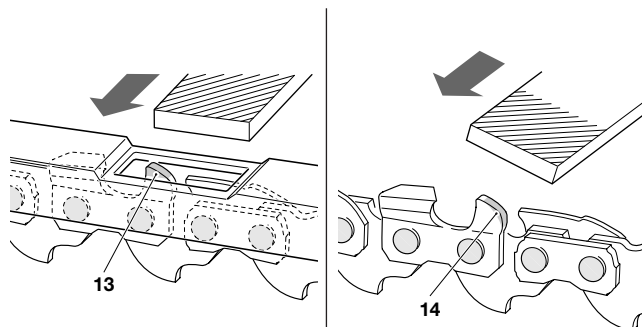
The file holder makes file guidance easier. It is marked for the correct 30° sharpening angle (keep the marks parallel with the chain when filing, see illustration) and limits the cut depth to the correct 4/5 of the file diameter. See "Accessories" for the order number.

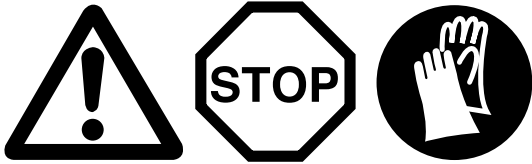


After having sharpened the chain, the height of the depth limiter must be checked by means of a chain gauge. See "Accessories" for the order number.

Correct even the smallest excess height (13) with a special flat file. See "Accessories" for the order number.

Round off the front of the depth limiter (14).

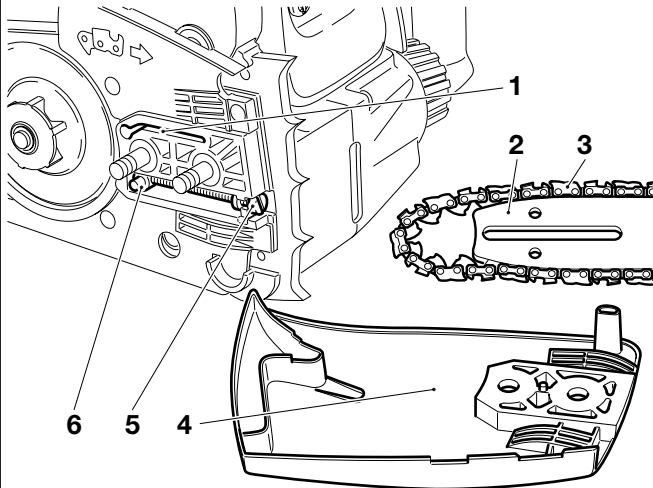




Cleaning the brake band and sprocket interior

CAUTION: Before doing any work on the guide bar or chain, **always** switch off the engine and pull the plug cap off the spark plug (see "Replacing the spark plug"). Always wear protective gloves!

CAUTION: Start the chain saw only after having assembled it completely and inspected!



Remove the sprocket guard (4) (See "PUTTING INTO OPERATION" figs. A and B) and clean the sprocket interior with a brush.

Turn the chain tightener screw (5) to the left (counterclockwise) until you feel resistance.

Remove the chain (3) and guide bar (2).

NOTE:

Make sure that no residue or contaminants remain in the oil guide groove (1) and the chain tightener (6).

For replacing the guide bar, chain, and sprocket see "PUTTING INTO OPERATION".

NOTE:

The chain brake is a very important safety device and like any other component subject to normal wear and tear.

Regular inspection and maintenance are important for your own safety and must be done by a DOLMAR service center.

DOLMAR



SERVICE

A

Cleaning the guide bar, lubricating the sprocket nose

CAUTION: Protective gloves must be worn.

Regularly inspect the bearing surfaces of the guide bar for damage, and clean them with a suitable tool.

If the saw is used intensively it will be necessary to lubricate the return sprocket bearings regularly (once a week). To do this, first **thoroughly** clean the 0.08" (2 mm) hole at the tip of the guide bar, and then press in a small amount of multi-purpose grease.

Multi-purpose grease and grease guns are available as accessories.

Multi-purpose grease (order no. 944 360 000)

Grease gun (order no. 944 350 000)



B

Replacing the saw chain

CAUTION:

Use only chains and guide bars designed for this saw (see the Extract from the spare-parts list)!

Check the sprocket (7) before mounting a new chain.

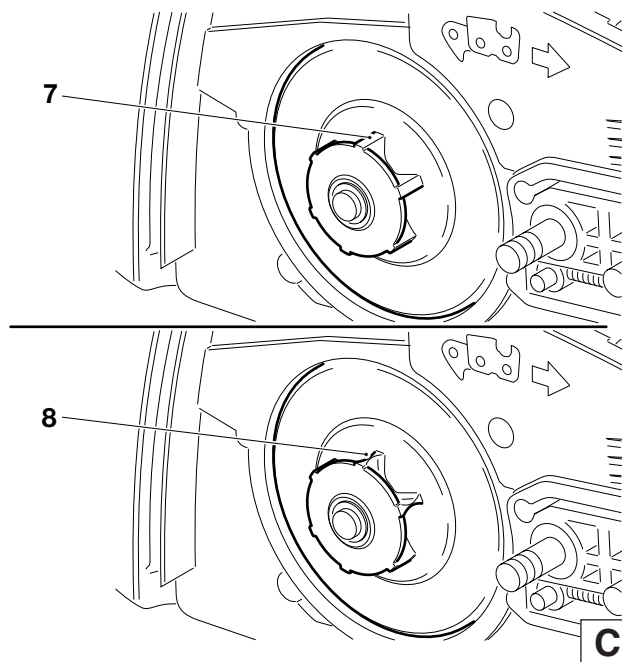
Remove the sprocket guard (See "PUTTING INTO OPERATION" figs. A and H).

CAUTION:

Worn out sprockets (8) may damage the new chain and must therefore be replaced.

Do not attempt to replace the sprocket yourself. Sprocket replacement requires special training and tools and must be done at a DOLMAR service center.

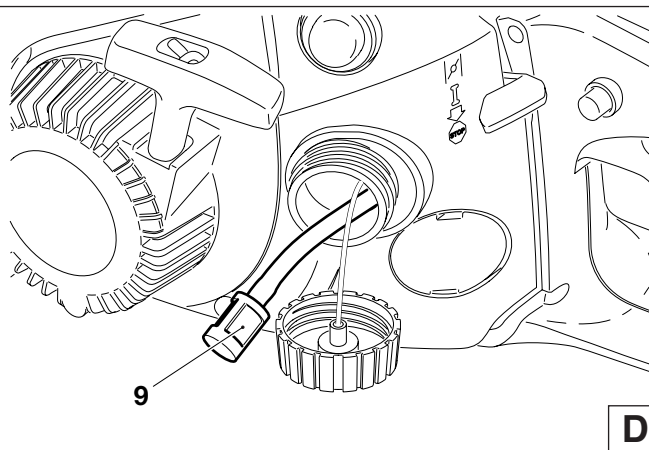
DOLMAR SERVICE



Replacing the fuel filter

The felt filter (9) of the fuel filter can become clogged. It is recommended to replace the fuel filter once every three months in order to ensure unimpeded fuel flow to the carburetor.

To remove the fuel filter for replacement, pull it out through the tank filler neck using a piece of wire bent at one end to form a hook.



Cleaning the air filter



Remove the filter cover (11) (3 screws (10)).

Remove the air filter (12).

CAUTION:

Cover the intake opening with a cloth to prevent dirt particles from getting into the carburetor.

CAUTION:

To prevent injury to the eyes, do NOT blow out dirt particles!
Do not use fuel to clean the air filter.

If the filter is very dirty, clean it in lukewarm water with dish-washing detergent.

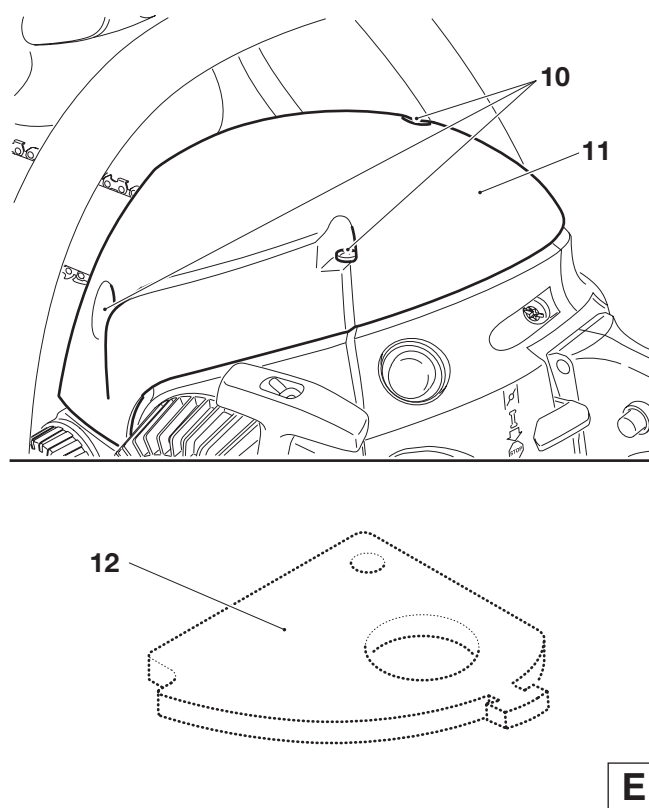
Let the air filter **dry completely**.

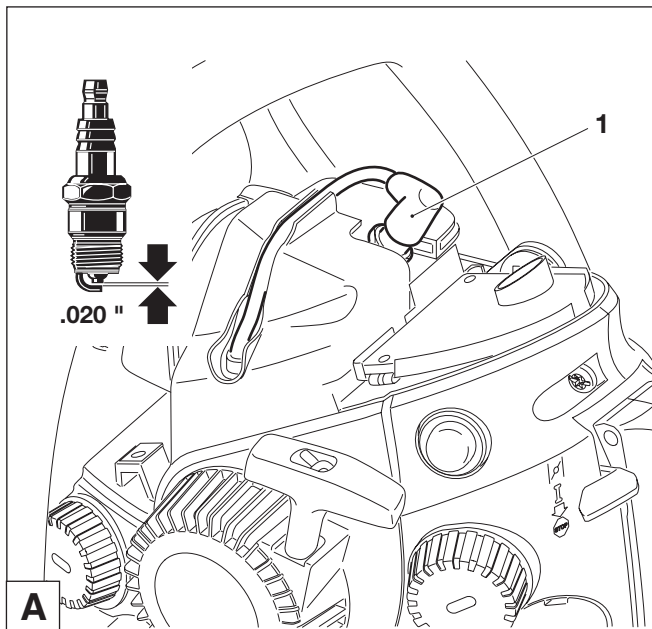
If the filter is very dirty, clean it frequently (several times a day), because only a clean air filter provides full engine power.

CAUTION:

Replace damaged air filters immediately.

Pieces of cloth or large dirt particles can destroy the engine!





Replacing the spark plug



CAUTION:

Do not touch the spark plug or plug cap if the engine is running (high voltage).

Switch off the engine before starting any maintenance work. A hot engine can cause burns. Wear protective gloves!

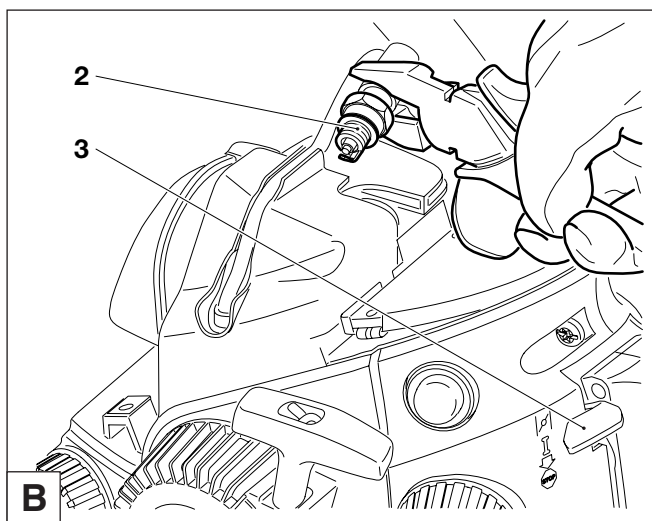
The spark plug must be replaced in case of damage to the insulator, electrode erosion (burn) or if the electrodes are very dirty or oily.

Remove the cover (see "Cleaning the air filter").

Pull the plug cap (1) off the spark plug. Use only the combination wrench supplied with the saw to remove the spark plug.

Electrode gap

The electrode gap must be .020" (0.5 mm).



Checking the ignition spark

Press the loosened spark (2) with the ignition cable firmly connected against the cylinder using insulated pliers (not near the spark plug opening).

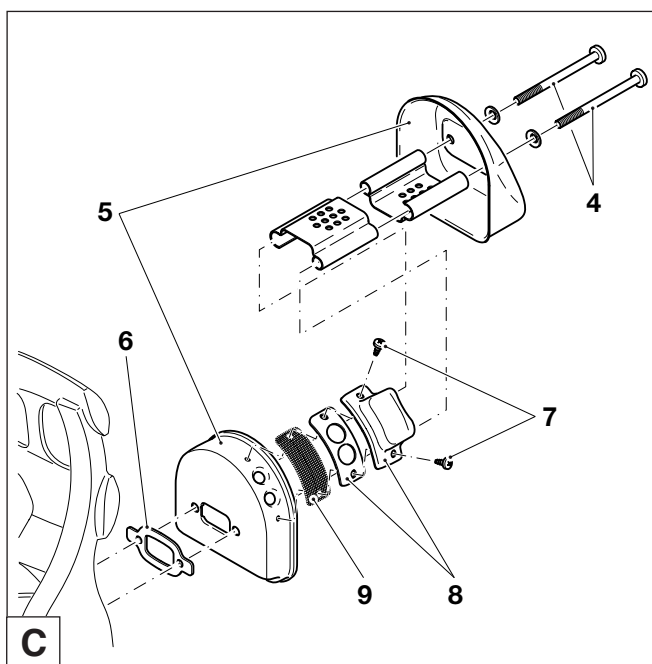
Press the combination switch (3) in the "I" position.

Pull the starter cable hard.

If the function is correct, an ignition spark must be visible near the electrodes.

CAUTION: Use only the following spark plugs:

NGK BPMR 7A.



Replacing / cleaning the spark arrester screen

The spark arrester screen should be checked and cleaned regularly.

Unscrew the muffler bolts (4) and carefully remove the muffler (5).

NOTE: If the muffler gasket (6) is damaged, replace it.

Unscrew screws (7) and remove the deflector (8) and the spark arrester screen (9).

CAUTION:

Do not use sharp or pointed objects for screen cleaning. Damaged or misformed screen wires may result.

Reassemble the spark arrester screen (9) and the deflector (8) and tighten the screws (7).

Tighten muffler bolts (4) to 5.6^{+0.07} ft. lbs. (8.0^{+0.1} Nm).

Instructions for daily and periodic maintenance

To ensure long life, prevent damage and ensure the full functioning of the safety features the following maintenance must be performed regularly. Guarantee claims can be recognized only if this work is performed regularly and properly. Failure to perform the prescribed maintenance work can lead to accidents!

Perform the following servicing work daily after use. Make a habit of it, it does not require much time and your saw will always function properly.

Possibly hidden faults can be detected in this manner before causing expensive and annoying interruptions of your work. In case you should detect a fault in the safety equipment when performing daily servicing, the saw must not be used before elimination of the fault.

The user of the chain saw must not perform maintenance work which is not described in the instruction manual. All such work must be carried out by a DOLMAR service center.

			Page
General	Chain saw	Clean exterior, check for damage. In case of damage, have repaired by a qualified service center immediately	27-28
	Saw chain	Sharpen regularly, replace in good time	
	Chain brake	Have inspected regularly at an authorized service center	21, 29
	Guide bar	Turn over to ensure even wear of bearing surfaces Replace in good time	
	Starter cable	Check for damage. In case of damage, have repaired by a qualified service center immediately	31
	Spark arrester screen	Inspect for damage, clean if clogged	
Before each start	Saw chain	Inspect for damage and sharpness Check chain tension	27-28 21
	Guide bar	Check for damage	24
	Chain lubrication	Functional check	26
	Chain brake	Functional check	25
	Combination switch, Throttle stopper, Throttle lever	Functional check	25
	Fuel/oil tank plug	Check for tightness and leakages	
Every day	Air filter	Clean (more often if necessary)	30
	Guide bar	Check for damage, clean oil intake bore	29
	Guide bar support	Clean, in particular the oil guide groove	29
	Idle speed	Check (chain must not run)	26-27
Every week	Fan housing	Clean to ensure proper air cooling	17
	Spark plug	Check and replace if necessary	31
	Muffler	Check tightness of mounting	31
	Chain catch	Check	17
	Screws and nuts	Check their condition and that they are firmly secured.	
Every 3 months	Fuel filter	Replace	30
	Fuel, oil tanks	Clean	
Annually	Chain saw	Check at an authorized service center	
Storage	Chain saw	Clean exterior, check for damage. In case of damage, have repaired by a qualified service center immediately	29
	Chain, guide bar	Demount, clean and oil slightly Clean the guide groove of the guide bar	
	Fuel, oil tanks	Empty and clean	
	Carburetor	Run empty	

Service, spare parts and guarantee

Maintenance and repair

The maintenance and repair of modern engines as well as all safety devices require qualified technical training and a special workshop equipped with special tools and testing devices.

We therefore recommend that you consult a DOLMAR service center for all work not described in this instruction manual. The DOLMAR service centers have all the necessary equipment and skilled and experienced personnel, who can work out cost-effective solutions and advise you in all matters.

Please contact your nearest service center. Should you however not have an address for a DOLMAR service center then please contact the DOLMAR general trading company (see last page) who will gladly provide you with the address of your nearest DOLMAR service center.

Spare parts

Reliable long-term operation, as well as the safety of your chain saw, depend among other things on the quality of the spare parts used. Use only original DOLMAR parts, marked



Only original spare parts and accessories guarantee the highest quality in material, dimensions, functioning and safety.

Original spare parts and accessories can be obtained from your local dealer. He will also have the spare part lists to determine the required spare part numbers, and will be constantly informed about the latest improvements and spare part innovations.

Please bear in mind that if parts other than original DOLMAR spare parts are used, this will automatically invalidate the DOLMAR product guarantee.

Guarantee

DOLMAR guarantees the highest quality and will therefore reimburse all costs for repair by replacement of damaged parts resulting from material or production faults occurring within the guarantee period after purchase. Please note that in some countries particular guarantee conditions may exist. If you have any questions, please contact your salesman, who is responsible for the guarantee of the product.

Please note that we cannot accept any responsibility for damage caused by:

- Disregard of the instruction manual.
- Non-performance of the required maintenance and cleaning.
- Incorrect carburetor adjustment.
- Normal wear and tear.
- Obvious overloading due to permanent exceeding of the upper performance limits.
- Use of guide bars and chains which have not been approved.
- Use of guide bar and chain lengths which have not been approved.
- Use of force, improper use, misuse or accidents.
- Damage from overheating due to dirt on the fan housing.
- Work on the chain saw by unskilled persons or inappropriate repairs.
- Use of unsuitable spare parts or parts which are not original DOLMAR parts, insofar as they have caused the damage.
- Use of unsuitable or old fuels or oils.
- Damage related to conditions arising from lease or rent contracts.
- Damages caused by disregarding loose outer bolted connections.

Cleaning, servicing and adjustment work is not covered by the guarantee. All repairs covered by the guarantee must be performed by a DOLMAR service center.

Troubleshooting

Malfunction	System	Observation	Cause
Chain does not run	Chain brake	Engine runs	Chain brake actuated.
Engine does not start or only with difficulty	Ignition system	Ignition spark No ignition spark	Malfunction in fuel supply system, compression system, mechanical malfunction. Switch on STOP, fault or short-circuit in the wiring, plug cap or spark plug defective. Choke in wrong position, carburetor defective, fuel filter dirty, fuel line bent or interrupted. Cylinder base packing ring defective, radial shaft packings defective, cylinder or piston rings defective Spark plug does not seal. Spring in starter broken, broken parts malfunction inside the engine.
	Fuel supply	Fuel tank is filled	
	Compression system	Inside	
	Mechanical	Outside Starter does not engage	
Warm start difficulties	Carburetor	Fuel tank is filled Ignition spark	Wrong carburetor adjustment.
Engine starts, but dies immediately	Fuel supply	Fuel tank is filled	Wrong idling adjustment, fuel filter or carburetor dirty. Tank venting defective, fuel line interrupted, cable defective, combination switch defective.
Insufficient power	Several systems may be involved simultaneously	Engine is idling	Air filter dirty, wrong carburetor adjustment, muffler clogged, exhaust channel in cylinder clogged, spark arrester screen clogged.
No chain lubrication	Oil tank/pump	No oil on the chain	Oil tank empty. Oil guide groove dirty.

Extract from the spare parts list

Use only original DOLMAR parts.

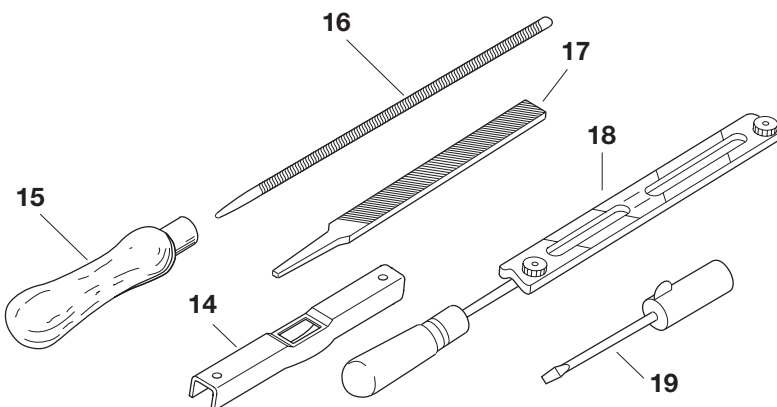
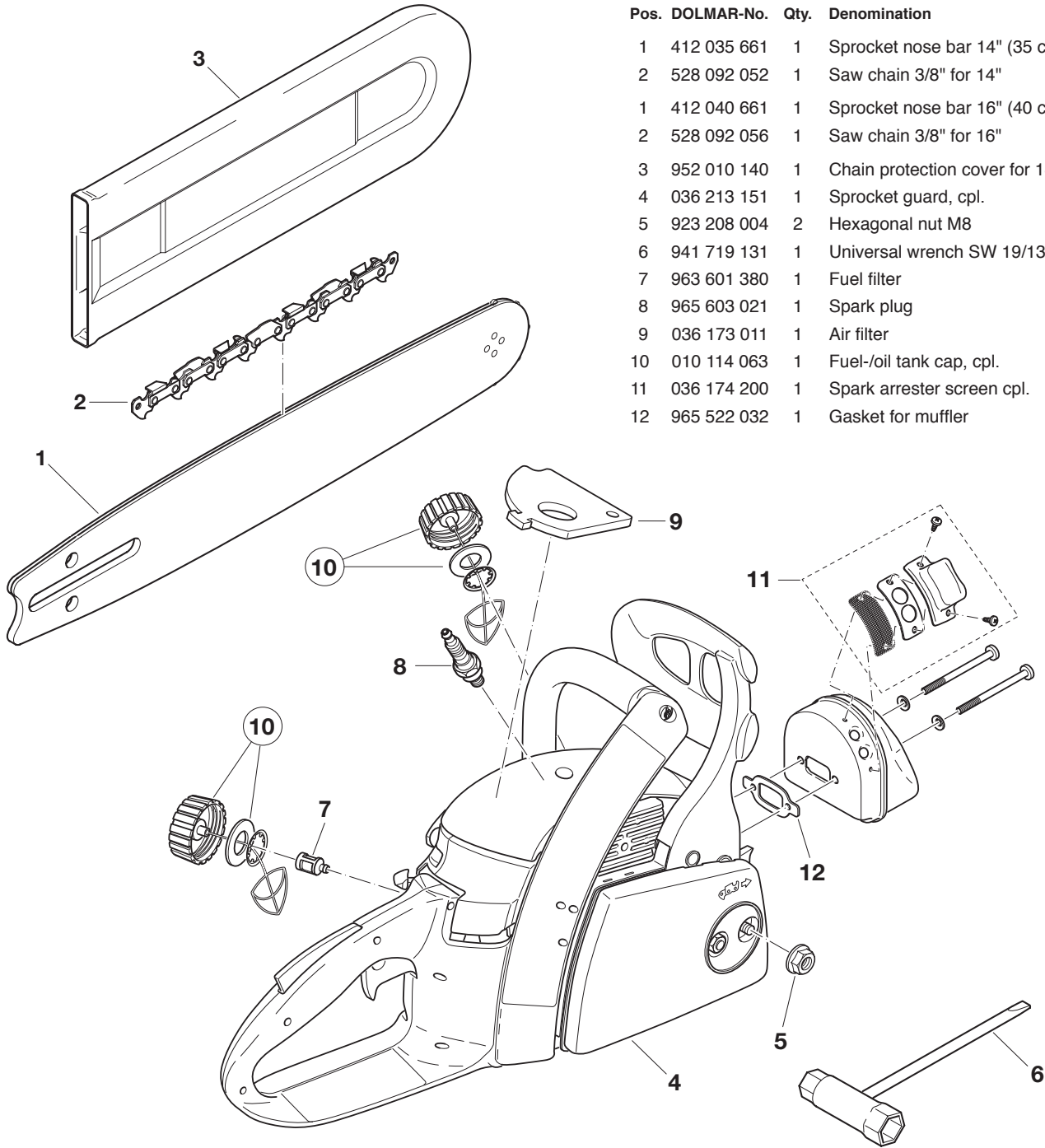
For repairs and replacement of other parts, see your DOLMAR service center.

PS-34

DOLMAR



Pos.	DOLMAR-No.	Qty.	Denomination
1	412 035 661	1	Sprocket nose bar 14" (35 cm)
2	528 092 052	1	Saw chain 3/8" for 14"
1	412 040 661	1	Sprocket nose bar 16" (40 cm)
2	528 092 056	1	Saw chain 3/8" for 16"
3	952 010 140	1	Chain protection cover for 14"-16"
4	036 213 151	1	Sprocket guard, cpl.
5	923 208 004	2	Hexagonal nut M8
6	941 719 131	1	Universal wrench SW 19/13
7	963 601 380	1	Fuel filter
8	965 603 021	1	Spark plug
9	036 173 011	1	Air filter
10	010 114 063	1	Fuel-oil tank cap, cpl.
11	036 174 200	1	Spark arrester screen cpl.
12	965 522 032	1	Gasket for muffler



Accessories (not delivered with the chain saw)

14	953 100 090	1	Chain gauge
15	953 004 010	1	File handle
16	953 003 090	1	Round file, dia. 5/32" (4.0 mm)
17	953 003 060	1	Flat file
18	953 030 010	1	File holder (with dia. 5/32" round file)
19	944 340 001	1	Carburetor screwdriver
-	980 008 107	1	Two-stroke engine oil (1 l)
-	980 008 106	1	Two-stroke engine oil (100 ml)
-	980 008 112	1	Two-stroke engine oil (1 l) Measuring bottle
-	980 008 210	1	BIOTOP chain oil (1 l)
-	980 008 211	1	BIOTOP chain oil (5 l)
-	980 008 213	1	BIOTOP chain oil (20 l)
-	949 000 035	1	Combined can (for 5 l fuel, 2.5 l chain oil)

EMISSIONS COMPONENT DEFECT WARRANTY COVERAGE

DOLMAR garantit à l'acheteur au détail initial et à chaque propriétaire ultérieur que cet équipement utilitaire est conçu, construit et équipé en conformité, à la date d'achat initiale, à toutes réglementations applicables de l' U.S. Environmental Protection Agency (Agence de protection environnementale des Etats-Unis) et que le moteur est exempt de tout défaut de matériaux et de main d'œuvre susceptible de le rendre non conforme aux réglementations de l'EPA pendant sa durée de garantie.

Pour les composants figurant sous PIECES COUVERTES, le concessionnaire agréé par DOLMAR fera gratuitement le diagnostic nécessaire, la réparation ou le remplacement de façon à ce que le moteur soit conforme aux réglementations applicables de l'US EPA.

PERIODE DE GARANTIE POUR LES DÉFAUTS DE COMPOSANTS D'EMISSION

La période de garantie pour ce moteur commence à la date où il a été vendu à l'acheteur initial et continue pendant une période de 2 ans.

PIECES COUVERTES

Les pièces figurant ci-dessous sont couvertes par la garantie concernant les défauts de composants d'émission. Certaines pièces figurant ci-dessous peuvent nécessiter une maintenance planifiée et sont garanties jusqu'au premier point de remplacement prévu pour cette pièce.

Système de dosage de combustible

Carburateur et pièces internes
Filtre à carburant, si applicable
Obturbateur d'étrangleur, si applicable
Système de starter, si applicable

Système d'allumage

Bougie d'allumage
Volant magnétique
Bobine d'allumage

Système à induction d'air

Préfiltre, si disponible, filtre à air
Carter de filtre à air, manchon de jonction

Unités diverses utilisées dans les systèmes ci-dessus

Tuyaux d'essence, brides et joints d'étanchéité

OBTENTION DU SERVICE DE GARANTIE

Pour obtenir le service de garantie, apportez la machine au le service SAV agréé par DOLMAR et fournir la preuve d'achat indiquant la date d'achat de cette machine. Le concessionnaire SAV agréé par DOLMAR effectuera les réparations ou réglages nécessaires en un temps raisonnable et vous remettra une copie de la commande de réparation. Toutes les pièces et tous les accessoires remplacés sous cette garantie deviendront la propriété de DOLMAR.

CE QUI N'EST PAS COUVERT

- Dommages dus à une manipulation impropre, usage incorrect, ajustage inadéquat (à moins qu'ils étaient effectués par le concessionnaire SAV agréé par DOLMAR pendant une réparation de garantie), altération, accident, défaut d'utiliser l'essence et l'huile recommandée ou le fait de n'avoir pas effectué les services d'entretien nécessaires.
- Les pièces de rechange utilisées pour les services d'entretien nécessaires
- Dommages conséquents comme perte de temps, désagréments, perte due à la non-utilisation de la machine ou de l'équipement etc.
- Frais de diagnostic et d'inspection n'aboutissant pas à la réalisation d'un service de garantie
- Toute pièce de rechange non-autorisée, ou mauvais fonctionnement de pièces autorisées dû à l'utilisation de pièces non-autorisées.

RESPONSABILITÉS DE GARANTIE DU PROPRIÉTAIRE

En tant que propriétaire de la machine, vous êtes tenu responsable de l'exécution de la maintenance requise indiquée dans le manuel du propriétaire. DOLMAR recommande de conserver toutes les quittances couvrant l'entretien de votre machine, car DOLMAR ne peut pas refuser la garantie seulement à cause du manque de quittances ou parce que vous avez manqué à assurer la réalisation de toute la maintenance prévue. En tant que propriétaire de la machine, vous devez toutefois être conscient que DOLMAR peut refuser la couverture de la garantie si votre machine ou une partie de celle-ci est défectueuse à cause d'abus, de négligence, de maintenance inadéquate ou de modifications non autorisées. Vous avez la responsabilité de présenter votre machine au concessionnaire SAV agréé par DOLMAR le plus proche en cas de problème. Pour toute question concernant vos droits de garantie et responsabilités, n'hésitez pas à contacter le Département de Service de Garantie DOLMAR à 1-888-OPE-PART.

CHOSSES À SAVOIR CONCERNANT LA GARANTIE DU SYSTÈME DE CONTRÔLE D'ÉMISSION :

MAINTENANCE ET RÉPARATIONS

Vous êtes responsable de la maintenance adéquate de la machine. Vous devez conserver tous les reçus et les rapports d'entretien concernant la réalisation de l'entretien régulier en cas de problèmes. Ces reçus et rapports d'entretien doivent être transmis à tout propriétaire suivant de la machine. DOLMAR se réserve le droit de refuser la couverture de garantie si la machine n'a pas été entretenue convenablement. Les réclamations faites au titre de la garantie ne seront pas refusées, à moins que la maintenance requise n'ait pas été effectuée ou que les rapports d'entretien n'aient pas été conservés.

LA MAINTENANCE, LE REMPLACEMENT ET LA RÉPARATION D'UNITÉS DE CONTRÔLE D'EMISSION DOIVENT ÊTRE EFFECTUÉS PAR UNE PERSONNE QUELCONQUE OU TOUT ETABLISSEMENT DE RÉPARATION ; TOUTEFOIS, LES RÉPARATIONS SOUS GARANTIE DOIVENT ÊTRE RÉALISÉES PAR UN CONCESSIONNAIRE SAV AGRÉÉ PAR DOLMAR. L'UTILISATION DE PIÈCES NON EQUIVALENTES SUR LE PLAN PERFORMANCE ET DURABILITÉ AUX PIÈCES AUTORISÉES PEUT PORTER ATTEINTE À L'EFFICACITÉ DU SYSTÈME DE CONTRÔLE D'EMISSION ET PEUT AVOIR UNE IMPORTANCE SUR LE RÉSULTAT D'UNE RÉCLAMATION FAITE AU TITRE DE LA GARANTIE.

Si des pièces autres que celles agréées par DOLMAR sont utilisées pour des remplacements d'entretien ou pour la réparation de composants concernant le contrôle d'émission, vous devez vous assurer que ces pièces sont garanties par leur constructeur comme étant équivalentes aux pièces autorisées par DOLMAR dans leur performance et durabilité.

COMMENT FAIRE UNE RÉCLAMATION

Toutes les réparations tombant sous cette garantie limitée doivent être effectuées par un concessionnaire SAV autorisé par DOLMAR. Au cas où une pièce relative aux émissions s'avère être défectueuse pendant la durée de garantie, vous devez prévenir le Département de Service de Garantie DOLMAR à 1-888-OPE-PART et vous serez informé par le concessionnaire garantie SAV ou des prestataires de service où la réparation sous garantie peut être effectuée.

ATTENTION!

Une utilisation négligente ou incorrecte de ce produit peut entraîner des blessures graves ou mortelles! Avant d'utiliser une tronçonneuse ou d'autres produits DOLMAR, il est important que vous ayez lu et entièrement compris et que vous suiviez avec soin les instructions fournies par le présent mode d'emploi. Le retour de chaîne peut entraîner des blessures graves ou mortelles et constitue l'un des nombreux dangers potentiels liés à l'utilisation d'une tronçonneuse. Ce mode d'emploi décrit de façon détaillée le retour de chaîne et les autres mesures de sécurité. D'autres exemplaires de ce mode d'emploi peuvent être commandés auprès de DOLMAR POWER PRODUCTS, PO Box 5007, Alpharetta, GA, 30005-5007, USA, Telephone 1-888-OPE-PART.

Ce produit est en conformité avec: la norme de sécurité pour tronçonneuses B 175.1-1991 de l'American National Standard Institute,
la norme de sécurité pour tronçonneuses Z62.1-95 de la Canadian Standards Association,
la norme relative au choc de recul pour tronçonneuses Z62.3-96.
Société du génie automobile
SAEJ 335-Juin 95 „Petit système d'échappement portable ne produisant aucune étincelle”

La période de conformité relative aux émissions indiquée sur le label de conformité à la réglementation relative aux émissions indique le nombre d'heures de service pendant lesquelles le moteur s'est avéré répondre aux exigences d'émissions nationales. Catégorie C=50 heures, B=125 heures, et A=300 heures.

Cette tronçonneuse est un produit allemand de qualité. Ce mode d'emploi contient des instructions importantes pour son montage et son utilisation. Pour votre sécurité, lisez très soigneusement les instructions de prévention des accidents avant de mettre en service votre tronçonneuse car une utilisation incorrecte peut, malgré toutes les précautions prises, entraîner des accidents. Avec un peu de soin et d'attention, ce produit de toute première qualité vous rendra d'excellents services et vous donnera entière satisfaction pendant très longtemps. Dans l'appareil ont été observés les droits de protection suivants: DE 19722629.

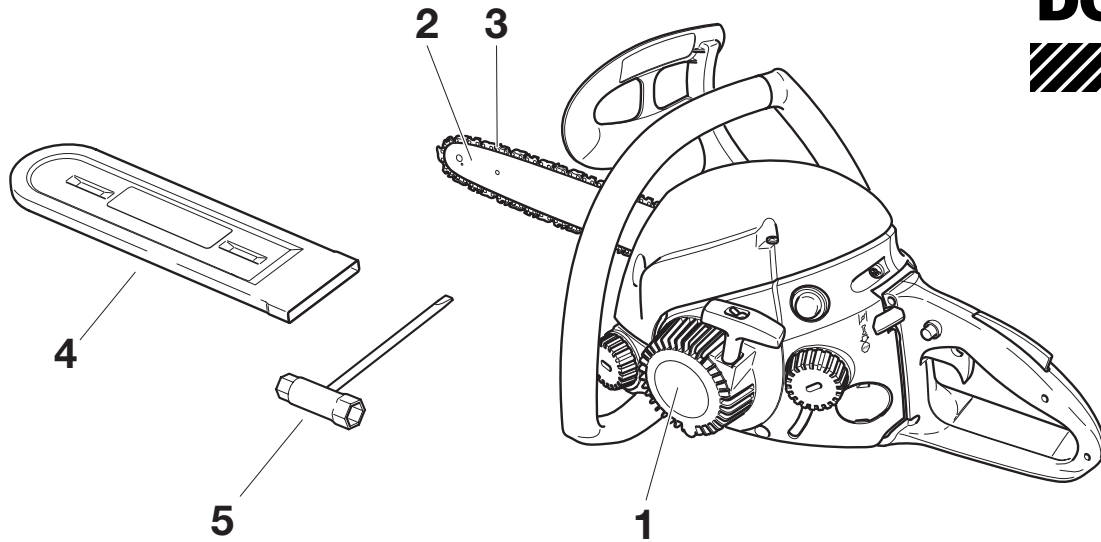


DOLMAR PS-34

Sommaire	page	Sommaire	page
Emballage	37	Réglage du ralenti	59
Symboles	37	Affûtage de la chaîne de sciage	60-61
Mesures de sécurité	38-49	Nettoyer l'intérieur de la bande de frein de chaîne et de la roue à chaîne	62
Désignation des composants	50	Nettoyer le guide de la chaîne	62
Caractéristiques techniques	51	Nouvelle chaîne de sciage	63
Combinaisons autorisées de guides et de chaînes	51	Remplacement de la crépine d'aspiration	63
Montage du guide et de la chaîne de sciage	52-53	Nettoyage du filtre d'air	63
Contrôle de la tension de la chaîne	54	Remplacement de bougie	64
Frein de chaîne de sécurité	54	Changement / nettoyage du pare-étincelles	64
Carburant/ravitaillement	55-56	Instruction d'entretien quotidien et périodique	65
Vérifier le graissage de la chaîne	57	Service d'atelier, pièces de rechange et garantie	65-66
Démarrer le moteur	58	Recherche de pannes	66
Arrêter le moteur	58	Extrait de la liste des pièces de rechange	67
Vérifier le frein de chaîne de sécurité	59		

Les tronçonneuses DOLMAR PS-34 sont livrées dans un carton qui les protège des dommages dus au transport. Le carton est une matière première de base qui peut être réutilisée ou recyclée (recyclage des vieux papiers).





1. Tronçonneuse à essence
2. Guide
3. Chaîne
4. Housse de protection du guide
5. Outillage de montage
6. Manuel d'emploi et de sécurité (sans illustration)

Si un des composants indiqués ici ne devait pas être dans la fourniture, veuillez vous adresser à votre vendeur!

Symboles

Vous rencontrerez les symboles suivants sur l'appareil et dans le manuel d'emploi et de sécurité:

	Lire manuel d'emploi et suivre les consignes de sécurité et d'avertissement!		Arrêter le moteur!
	Danger et attention particuliers!		Démarrer le moteur
	Interdit!		Attention, choc de recul! (Kickback)
	Porter le casque, les lunettes et acoustiques de protection!		Frein de chaîne
	Porter des gants de protection!		Mélange carburant
	Interdiction de fumer!		Huile pour chaîne de sciage
	Pas de feu ouvert!		Premier secours
	Commutateur combiné Marche/Arrêt (E/S), starter		Recyclage
	Le sens de rotation de la chaîne de sciage	Symboles additionnels voir page 39.	

Mesures de sécurité à respecter par les utilisateurs de tronçonneuses

Lorsque vous utilisez la tronçonneuse, veuillez respecter les règles suivantes :

- a) Évitez tout contact entre la pointe du guide et tout objet.
- b) Le contact de la pointe peut entraîner un déplacement brutal du guide vers le haut et vers l'arrière et être à l'origine de blessures graves ou mortelles.
- c) Il faut toujours utiliser la tronçonneuse en la tenant des deux mains.

ATTENTION!

Lisez et respectez toutes les mesures de sécurité indiquées dans le mode d'emploi. Le non-respect des instructions peut avoir pour conséquence des blessures graves.

ATTENTION!

Cette tronçonneuse est capable de violents retours de chaîne qui peuvent blesser gravement l'utilisateur. N'utilisez cette tronçonneuse que si vous avez besoin de procéder à des travaux intensifs et si vous disposez d'une expérience et d'une formation vous permettant de maîtriser le choc de recul. Il existe des tronçonneuses à risque de choc de recul réduit.

ATTENTION!

Le choc de recul peut se produire lorsque la pointe ou l'extrémité du guide touche un objet ou lorsque le bois se referme et coince la chaîne dans la coupe. Le contact peut arrêter brutalement la **chaîne** et dans certains cas causer une **réaction** inverse extrêmement rapide, entraînant un déplacement du guide vers le haut et vers l'arrière vers l'utilisateur. Le **choc de recul** peut vous faire perdre le contrôle de la tronçonneuse.

Certaines mesures peuvent être prises par les utilisateurs de tronçonneuses pour réduire le risque de choc de recul et de blessure.

- A. Si vous avez bien assimilé le principe du choc de recul, vous pouvez réduire ou éliminer l'effet de surprise qui augmente le risque d'accident.
- B. Lorsque le moteur tourne, tenez fermement la tronçonneuse à deux mains, la main droite sur la poignée arrière et la main gauche sur la poignée tubulaire. Tenez fermement les poignées de la tronçonneuse en les entourant avec le pouce et les autres doigts. Une prise ferme peut neutraliser le choc de recul et vous aider à garder le contrôle de la tronçonneuse. Ne lâchez pas prise!
- C. Assurez-vous que la zone où vous travaillez ne présente pas d'obstacles. Ne laissez pas la pointe du guide toucher le rondin, la branche ou tout autre obstacle qui pourrait être heurté pendant que vous utilisez la tronçonneuse.
- D. Ne coupez pas les bras tendus ou plus haut qu'à hauteur d'épaules.
- E. Respectez les instructions du fabricant relatives à l'affûtage et à l'entretien de la tronçonneuse.
- F. N'utilisez que les guides et les chaînes indiqués par le constructeur ou des pièces équivalentes.

Mesures de sécurité supplémentaires

Tous les utilisateurs de tronçonneuses doivent respecter les mesures de sécurité supplémentaires ci-dessous :

1. Ne travaillez pas avec une tronçonneuse lorsque vous êtes fatigué.
2. Utilisez des chaussures de sécurité, des vêtements ajustés, des gants de sécurité ainsi que des lunettes, un casque antibruit et un casque de sécurité.
3. Maniez le carburant avec prudence. Eloignez la tronçonneuse d'au moins 10 pieds (3 m) du point de ravitaillement avant de démarrer le moteur.
4. Assurez-vous que personne ne se trouve à proximité de la tronçonneuse au moment du démarrage ou pendant la coupe. Maintenez les spectateurs et les animaux en dehors de la zone de travail.
5. Ne commencez pas la coupe avant d'avoir dégagé la zone de travail, de vous être assuré une position stable au sol et d'avoir prévu une voie de repli vous permettant de vous retirer lorsque l'arbre s'abattra.
6. Lorsque le moteur tourne, maintenez la chaîne de la tronçonneuse à distance de votre corps.
7. Avant de démarrer le moteur, assurez-vous que la chaîne ne touche aucun objet.
8. Portez la tronçonneuse moteur arrêté, le guide et la chaîne vers l'arrière et le pot d'échappement éloigné de vous.
9. N'utilisez pas de tronçonneuse endommagée, incorrectement réglée ou incomplètement et incorrectement montée. Assurez-vous que la chaîne s'arrête lorsque vous relâchez la gâchette des gaz.
10. Arrêtez le moteur avant de poser la tronçonneuse.
11. Soyez extrêmement prudent lorsque vous coupez des broussailles et des jeunes arbres de petites dimensions car du petit bois peut se prendre dans la chaîne de la tronçonneuse et être projeté vers vous ou vous tirer en vous faisant perdre l'équilibre.
12. Lorsque vous coupez des grosses branches qui forcent, faites attention à la détente pour ne pas être heurté lorsque la tension sur les fibres du bois se relâchera.
13. Maintenez les poignées de la tronçonneuse sèches, propres et exemptes d'huile ou de mélange deux temps.
14. N'utilisez la tronçonneuse que dans des endroits correctement ventilés.
15. Ne montez pas dans un arbre avec la tronçonneuse à moins d'avoir reçu une formation spécifique pour ce type d'utilisation.
16. Toutes les opérations d'entretien de la tronçonneuse autres que celles indiquées dans les instructions d'entretien du manuel d'emploi doivent être effectuées par DOLMAR. (Par exemple, l'utilisation d'outils inappropriés pour retirer le volant ou pour maintenir le volant afin de retirer l'embrayage peut entraîner des détériorations du volant et par voie de conséquence son éclatement).
17. Ne transportez la tronçonneuse que munie de la protection de chaîne.
18. Les guides et les chaînes à faible choc de recul sont conçus pour réduire le risque de blessure par choc de recul. Pour toute information sur ces produits, adressez-vous à votre revendeur DOLMAR.

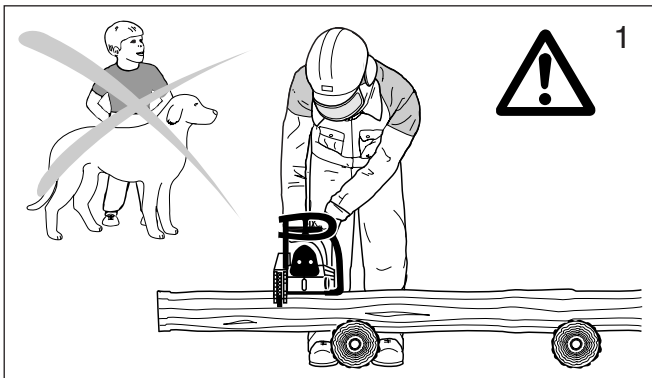
Mesures générales de sécurité

L'utilisation de toute tronçonneuse peut être dangereuse. A plein régime, la chaîne peut atteindre une vitesse de 45 mph (20 m/s). Il est important que vous ayez lu et entièrement compris et que vous suiviez les mesures de sécurité et les mises en garde suivantes. Relisez de temps en temps le manuel d'emploi et les instructions de sécurité.

ATTENTION!

Les forces de réaction, y compris le choc de recul, peuvent être dangereuses. Une utilisation négligente ou incorrecte de toute tronçonneuse peut entraîner des blessures graves ou mortelles.

Demandez à votre revendeur DOLMAR de vous montrer comment utiliser la tronçonneuse. Respectez l'ensemble des règlements, normes et arrêtés de sécurité localement en vigueur.



ATTENTION!

L'utilisation d'une tronçonneuse doit être interdite aux mineurs.

Il faut éloigner les spectateurs, en particulier les enfants et les animaux, de la zone d'utilisation de la tronçonneuse (fig. 1).

Ne laissez jamais la tronçonneuse fonctionner sans surveillance.

Conservez-la sous clé hors de portée des enfants. Remplissez le réservoir de carburant aux 7/8 (cf. stockage de la tronçonneuse).

Ne prêtez pas votre tronçonneuse sans ce manuel d'emploi. Assurez-vous que toute personne utilisant votre tronçonneuse a bien compris les informations fournies.

L'utilisation correcte d'une tronçonneuse dépend :

1. de l'utilisateur
2. de la tronçonneuse
3. de l'utilisation qui est faite de la tronçonneuse.

Description des symboles figurant sur les tronçonneuses:

CSA Z 62.1-95 et Z 62.3-96
Classe 1C Conformité avec les normes CSA

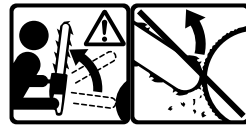
ANSI B175.1-1991 Conformité avec la norme ANSI



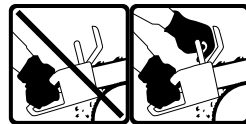
45M6 Tronçonneuses conforme aux normes américaines de sécurité pour tronçonneuses équipées d'un moteur à essence (ANSI B175.1-1991). CSA Z 62.1-95 and Z 62.3-96, Class 1C



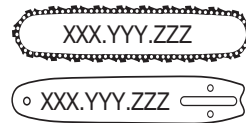
Angle maximum de choc de recul calculé (CKA)* sans frein de chaîne, avec les combinaisons de barre et de chaîne recommandées (ici, l'angle CKA est de 21°).



Il faut éviter tout contact de la pointe du guide avec un objet quel-conque. Le contact de la pointe peut entraîner un déplacement brutal du guide vers le haut et vers l'arrière et être à l'origine de blessures graves ou mortelles.



Il faut toujours utiliser la tronçonneuse en la tenant des deux mains!



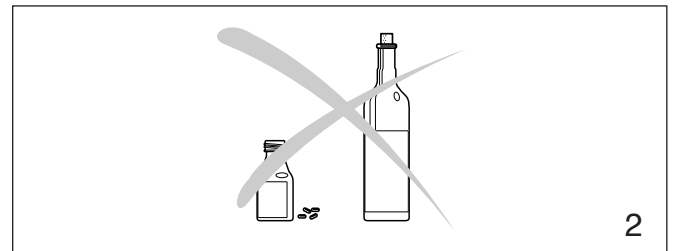
Combinaison réduite entre barre de recul et chaîne évaluée avec le moteur pour obtenir une protection contre le recul (selon normes ANSI et CSA).

* L'angle de choc de recul calculé est une valeur calculée à partir d'énergies mesurées sur un banc d'essai. Ce n'est pas l'angle du guide remontant en cas de CHOC DE REcul.

L'utilisateur

Condition physique

Vous devez être en bonne forme physique et mentale et n'être sous l'influence d'aucune substance (stupéfiants, alcool) pouvant diminuer votre acuité visuelle, votre habileté ou votre jugement.



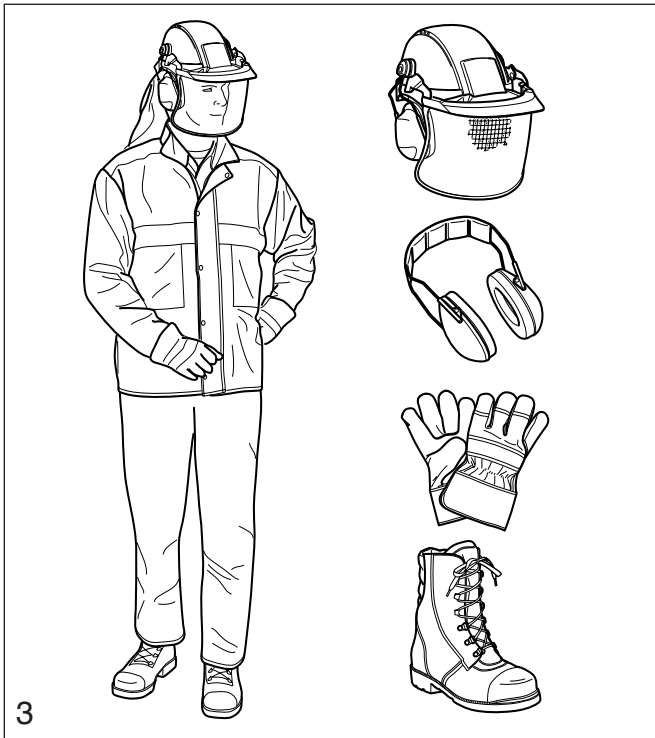
ATTENTION!

L'utilisation prolongée de tronçonneuses expose l'utilisateur à des vibrations qui peuvent entraîner l'apparition de la maladie de Raynaud. Cette maladie se manifeste par une réduction de la sensibilité et de la régulation de la température au niveau des mains, par des engourdissements et des brûlures. Elle peut également entraîner des lésions nerveuses et circulatoires et une nécrose des tissus. Toutes les tronçonneuses DOLMAR sont donc munies d'un système antivibration qui est très important pour les personnes utilisant des tronçonneuses de façon régulière ou prolongée. Les systèmes antivibration ne garantissent pas que vous n'aurez pas la maladie de Raynaud mais elles en réduisent considérablement le risque. Les personnes utilisant une tronçonneuse de façon continue et régulière doivent toutefois examiner leur mains et leurs doigts et, si elles constatent des symptômes anormaux, consulter immédiatement un médecin.

Quels vêtements porter?

L'utilisateur doit porter des vêtements robustes et ajustés mais qui lui laissent une complète liberté de mouvement. Evitez les vestes amples, les écharpes, les cravates, les bijoux, les pantalons à pattes d'éléphant ou à revers ou quoi que ce soit qui puisse se prendre dans la tronçonneuse ou les broussailles. Portez une combinaison ou des jeans munis de renforts de protection contre la coupe (fig. 3).

Portez des gants de sécurité lorsque vous manipulez la tronçonneuse et la chaîne. Les gants antidérapants très résistants améliorent votre prise et protègent vos mains.



Pour travailler avec la tronçonneuse, il est important d'avoir une position stable au sol. Portez des chaussures montantes robustes munies de semelles antidérapantes. Il est conseillé de porter des chaussures de sécurité à embout d'acier.

Il est absolument indispensable de protéger correctement les yeux. Il est conseillé d'utiliser des lunettes antibuées ventilées et une evisière pour réduire le risque de blessure aux yeux et au visage.

Protégez-vous la tête en portant un casque de sécurité approprié. Le bruit de la tronçonneuse peut entraîner des lésions de l'ouïe. Utilisez donc toujours une protection antibruit (bouchons ou casque antibruit).

Les personnes utilisant une tronçonneuse de façon continue et régulière doivent faire examiner régulièrement leur acuité auditive .



La tronçonneuse

Pièces composant la tronçonneuse: cf. les illustrations et les descriptions de la page 50.

ATTENTION!

Ne modifiez jamais une tronçonneuse de quelque façon que ce soit. Seuls les accessoires fournis par DOLMAR ou expressément agréés par DOLMAR pour une utilisation avec la tronçonneuse spécifiée sont autorisés.

ATTENTION!

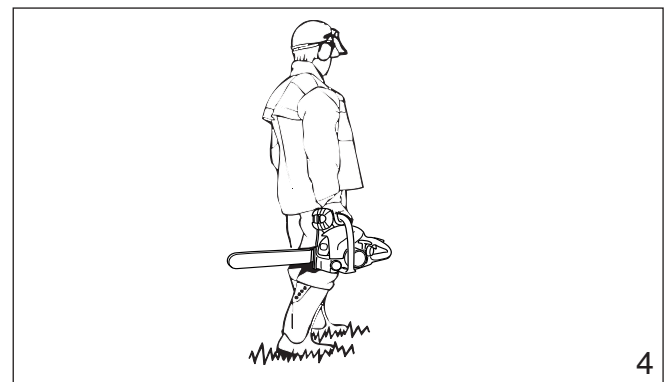
Les guides à étrier augmentent de façon importante le risque de choc de recul et donc de blessure grave ou mortelle en raison de la plus grande zone de choc de recul de la conception à étrier. Les guides à étrier ne sont pas conseillés pour les tronçonneuses DOLMAR et il ne sont pas agréés par la norme de sécurité pour tronçonneuses ANSI B 175.1-1991.

Utilisation de la tronçonneuse

Transport de la tronçonneuse

ATTENTION!

Il faut toujours arrêter le moteur avant de déposer ou de porter la tronçonneuse. Il est très dangereux de porter la tronçonneuse avec le moteur en marche. Une accélération intempestive du moteur peut mettre la chaîne en marche. Evitez de toucher le pot d'échappement (risque de brûlure).



Transport à la main: lorsque vous portez votre tronçonneuse à la main, le moteur doit être arrêté et la tronçonneuse doit être en position correcte. La protection de la chaîne doit être mise et le guide doit être orienté vers l'arrière. Lorsque vous portez la tronçonneuse, le guide doit être derrière vous (fig. 4).

Dans un véhicule: lors du transport de la tronçonneuse dans un véhicule, la chaîne et le guide doivent être recouverts avec la protection. Fixez correctement la tronçonneuse pour l'empêcher de se renverser et éviter les fuites de carburant et les détériorations de la tronçonneuse. Assurez-vous que la tronçonneuse n'est pas exposée à la chaleur ou à des étincelles.

Instructions d'utilisation de la tronçonneuse

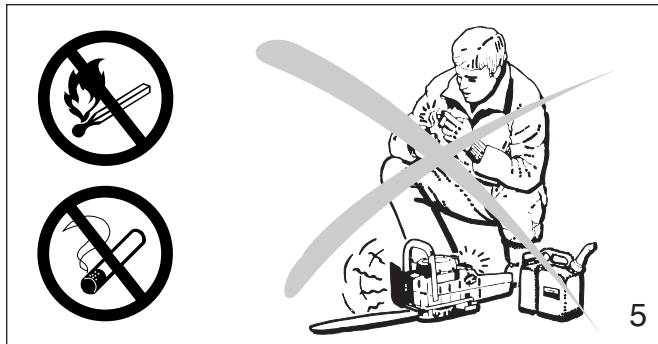
Pour monter la tronçonneuse, suivez la procédure indiquée au chapitre „Montage du guide et de la chaîne“ de ce mode d'emploi. La chaîne, le guide et le pignon DOLMAR doivent être assortis (cf. chapitre correspondant de ce mode d'emploi).

ATTENTION!

Il est extrêmement important que la chaîne soit correctement tendue. Pour éviter un réglage incorrect, il faut tendre la chaîne en suivant la procédure indiquée dans ce mode d'emploi. Après avoir tendu la chaîne, assurez-vous toujours que les écrous hexagonaux du cache-pignon sont bien serrés. Vérifiez encore une fois la tension de la chaîne après avoir serré les écrous puis à intervalles réguliers (toujours avant le début du travail). Si la chaîne se détend pendant la coupe, arrêtez le moteur et tendez-la. N'essayez jamais de tendre la chaîne pendant que le moteur est en marche!

Ravitaillement en carburant

Votre tronçonneuse DOLMAR fonctionne au mélange deux temps (cf. chapitre „Carburant“ de ce mode d'emploi).



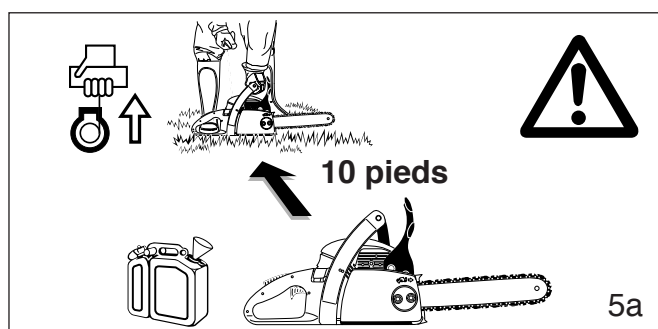
ATTENTION!

L'essence est un carburant très inflammable. Soyez extrêmement prudent lorsque vous manipulez l'essence ou le mélange deux temps. Ne fumez pas et évitez la présence de toute étincelle ou flamme à proximité du carburant (fig. 5).

Instructions de ravitaillement



Faites le plein de votre tronçonneuse dans des endroits bien ventilés ou à l'extérieur. Il faut toujours arrêter le moteur et le laisser refroidir avant de faire le plein. Faites le plein sur un sol nu et éloignez la tronçonneuse d'au moins 10 pieds (3 m) du point de ravitaillement avant de démarrer le moteur (fig. 5a).

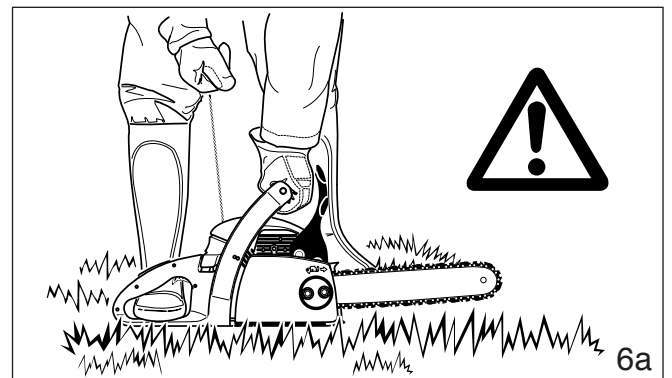
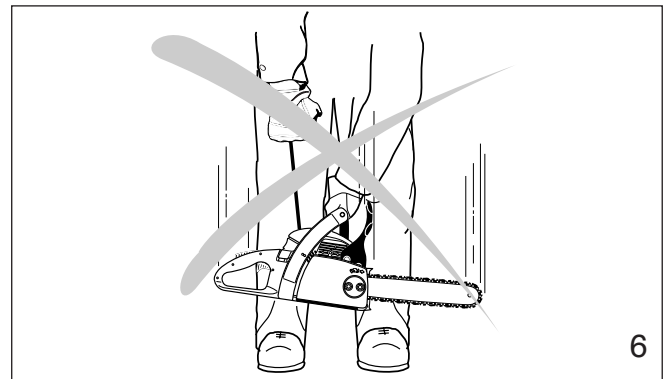


Essayez le carburant renversé avant de démarrer votre tronçonneuse et examinez-la pour voir si elle fuit.

Examinez votre tronçonneuse pour voir s'il y a des fuites pendant le ravitaillement et l'utilisation. Si vous constatez des fuites de carburant ou d'huile, ne démarrez pas ou ne faites pas fonctionner le moteur avant d'avoir remédié à la fuite et essuyé le carburant renversé. Changez immédiatement de vêtements s'ils sont souillés de carburant (danger de mort!). Évitez le contact de la peau avec le carburant. Ne jamais dévisser ou retirer le bouchon du réservoir de carburant pendant que le moteur tourne.

Démarrage

Ne démarrez pas la tronçonneuse en la laissant descendre au bout du cordon. Cette méthode est très dangereuse car vous pouvez perdre le contrôle de la tronçonneuse (fig. 6).



Posez la tronçonneuse sur un sol ferme ou sur une autre surface dure à un endroit dégagé. Assurez-vous que vous avez une position stable au sol et un bon équilibre. Passez le pied droit dans la poignée arrière et prenez fermement la poignée avant de la main gauche (fig. 6a).

Il faut absolument vous assurer que ni le guide ni la chaîne ne sont en contact avec vous ou avec tout autre obstacle ou objet au sol. En effet, lorsque le moteur démarre avec les gaz à moitié, la vitesse du moteur est suffisante pour que l'embrayage entraîne le pignon et fasse tourner la chaîne, causant ainsi un risque de choc de recul. N'essayez jamais de démarrer le moteur lorsque le guide se trouve dans une coupe ou dans une entaille.

Lorsque vous tirez sur la poignée du démarreur, n'enroulez pas le cordon autour de votre poignée. Ne relâchez pas brusquement la poignée, accompagnez-la lentement pour permettre au cordon de s'enrouler correctement. Le non-respect de cette méthode peut entraîner des blessures de la main ou des doigts et détériorer le démarreur.

Réglages importants

ATTENTION!

Lorsque le ralenti est correctement réglé, la chaîne ne doit pas tourner. Pour le réglage du ralenti, reportez-vous au chapitre correspondant de ce mode d'emploi.

N'utilisez pas de tronçonneuse dont le ralenti n'est pas correctement réglé. Réglez le ralenti vous-même de la façon indiquée dans le chapitre correspondant de ce mode d'emploi.

Demandez à votre revendeur DOLMAR d'examiner votre tronçonneuse et de procéder aux réglages corrects ou aux réparations.

Vérifiez souvent la tension de la chaîne, surtout juste après avoir monté une chaîne neuve. Les chaînes neuves peuvent se détendre de façon plus importante pendant les premiers temps d'utilisation. Si la chaîne est bien réglée, il est possible de la tirer librement à la main autour du guide sans qu'elle pende. Pour vérifier ou régler la tension de la chaîne, il faut toujours arrêter le moteur et porter des gants.

Conditions de travail

N'utilisez la tronçonneuse qu'à l'extérieur et uniquement de jour et dans de bonnes conditions de visibilité.

ATTENTION!

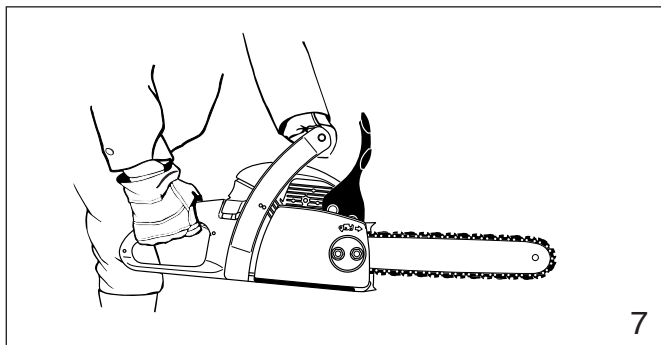
Soyez extrêmement prudent par temps humide ou par gel (pluie, neige, glace). Remettez le travail à plus tard en cas de vent, de tempête ou de pluie violente. Dégagez la zone où vous travaillez.

ATTENTION!

Évitez de trébucher sur des obstacles tels que souches, racines ou pierres et faites attention aux trous et aux fossés. Soyez extrêmement vigilant lorsque vous travaillez sur un terrain incliné ou sur un sol accidenté. Il ya un risque de glissement accru sur les rondins fraîchement écorcés.

Instructions de coupe

Lorsque le moteur tourne, tenez toujours fermement la tronçonneuse à deux mains. Posez la main gauche sur la poignée tubulaire et la main droite sur la poignée et sur la gâchette des gaz. Ces instructions sont également valables pour les gauchers.

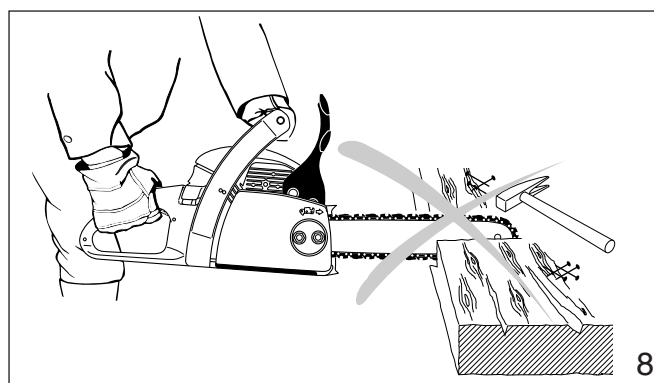


Maintenez fermement les poignées dans le creux de la main en les entourant entre le pouce et l'index (fig. 7). Cette position vous permet de mieux résister et absorber les forces de recul, de traction et de choc de recul de votre tronçonneuse sans qu'elle vous glisse des mains (cf. le point relatif aux forces de réaction). Assurez-vous que les poignées de la tronçonneuse sont en bon état et exemptes d'humidité, de poix, d'huile ou de graisse.

Commencez toujours la coupe avec la chaîne tournant à pleine vitesse et la barre à griffe en contact avec le bois.

ATTENTION!

N'utilisez jamais la tronçonneuse d'une seule main car vous ne pouvez pas contrôler les forces de réaction (cf. pages 43 à 45) et vous pourriez perdre le contrôle de la tronçonneuse.



ATTENTION!

N'utilisez pas la tronçonneuse avec les gaz à moitié car cette position ne vous permet pas de contrôler correctement la tronçonneuse ou la vitesse de la chaîne.

ATTENTION!

Ne jamais trop approcher les mains ou tout autre partie de votre corps d'une chaîne en mouvement.

ATTENTION!

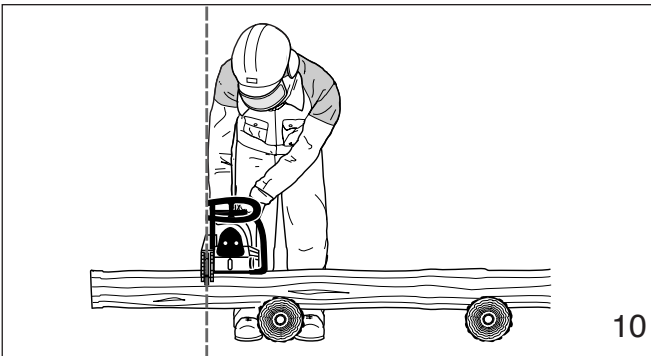
Ne coupez jamais d'autres matériaux que du bois ou des objets en bois.

N'utilisez votre tronçonneuse que pour couper, pas pour casser ou pousser des branches, des racines ou d'autres objets.

Lorsque vous sciez, faites attention à ce que la chaîne ne touche pas de corps étrangers tel que pierres, clous et autres (fig. 8). Ils pourraient être projetés, détériorer la chaîne ou entraîner un choc de recul.



Pour garder la maîtrise de votre tronçonneuse, ayez toujours une position stable au sol. Ne travaillez jamais sur une échelle, dans un arbre ou sur tout autre support instable. N'utilisez jamais la tronçonneuse plus haut qu'à hauteur d'épaules (fig. 9).



Positionnez la chaîne de sorte que votre corps soit éloigné du dispositif de coupe lorsque le moteur tourne (fig. 10).

N'appuyez pas sur la tronçonneuse lorsque vous arrivez à la fin d'une coupe. Sous l'effet de la pression, le guide et la chaîne peuvent sauter hors de la coupe ou de l'entaille, ne plus pouvoir être contrôlés et frapper l'utilisateur ou un autre objet. Si la chaîne en mouvement heurte un objet, une force de réaction (cf. pages 42 à 44) peut faire que la chaîne heurte l'utilisateur.

Forces de réaction pendant la coupe, y compris le choc de recul

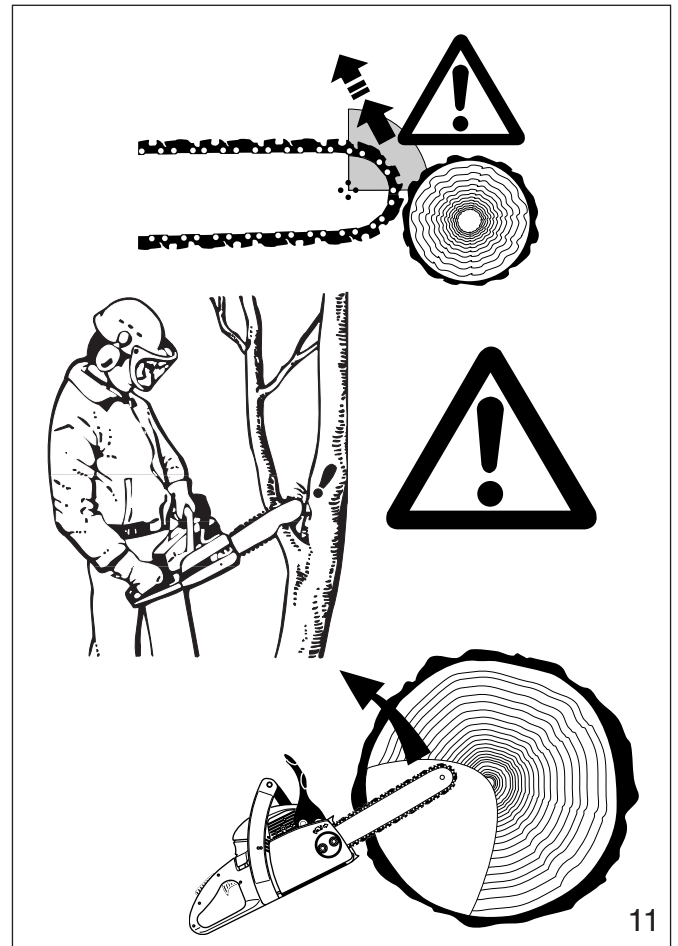
ATTENTION!

Les forces de réaction qui peuvent se produire pendant toute coupe sont le choc de recul, le recul et la traction. Les forces de réaction peuvent être dangereuses sur toutes les tronçonneuses car la puissance utilisée pour couper le bois peut être renversée et se retourner contre l'utilisateur.

Si la chaîne en mouvement est brusquement arrêtée par le contact avec tout objet solide comme un rondin ou une branche ou si elle est coincée, les forces de réaction s'exercent immédiatement. Ces forces de réaction peuvent entraîner la perte de contrôle qui, à son tour, peut être à l'origine de blessures graves ou mortelles. Comprendre les causes de ces forces de réaction peut vous aider à éviter de perdre le contrôle de votre tronçonneuse.

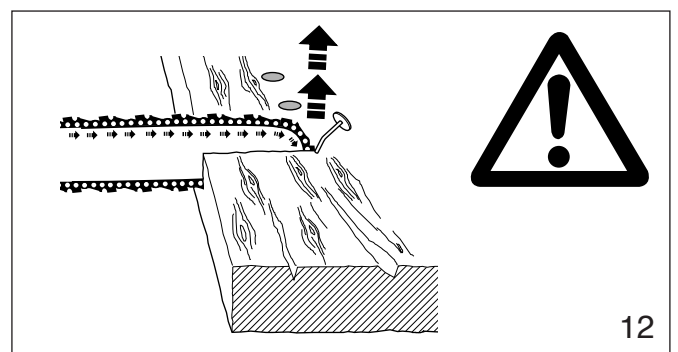
Les forces de réaction les plus courantes sont :

- le choc de recul
- le recul
- la traction.



Choc de recul (Kickback):

Le choc de recul se produit lorsque le quadrant supérieur de la pointe du guide entre en contact avec un objet dur dans le bois ou qu'il est coincé (fig. 11). La réaction de la force de coupe de la chaîne rotative entraîne une force de rotation de la tronçonneuse dans la direction opposée au mouvement de la chaîne, généralement dans le plan du guide. Ceci peut projeter de façon incontrôlée le guide qui décrit alors un arc de cercle vers l'utilisateur.



Cette réaction peut se produire en l'espace d'une fraction de seconde et, dans certaines circonstances, le guide et la chaîne peuvent frapper l'utilisateur avec une force suffisante pour lui occasionner des blessures graves ou mortelles. Elle peut aussi se produire pendant l'ébranchage. Elle se produit aussi lorsque la pointe du guide est coincée de façon inattendue, entre de façon inattendue en contact avec un objet solide dans le bois (fig. 12) ou est utilisée de façon incorrecte pour amorcer une plongée ou un perçage.

Plus la force de la réaction du choc de recul est forte, plus il est difficile pour l'utilisateur de contrôler la tronçonneuse.

De nombreux facteurs déterminent l'apparition et la force de la réaction de choc de recul. Le type du guide et de la chaîne utilisés jouent également un rôle dans la force de la réaction de choc de recul.

La vitesse à laquelle la chaîne entre en contact avec l'objet.

La force de choc de recul est proportionnelle à l'impact.

L'angle de contact entre la pointe du guide et le corps étranger (fig. 11).

Le choc de recul est plus marqué dans le quadrant supérieur de la pointe du guide.

Les modèles de chaîne DOLMAR sont conçus pour réduire les forces de choc de recul.

Les limiteurs de profondeurs:

L'abaissement incorrect des limiteurs de profondeur augmente également le risque de choc de recul.

Affûtage des plaquettes de coupe de la chaîne:

ATTENTION!

Une chaîne émoussée ou incorrectement affûtée peut augmenter le risque de choc de recul. Ne travaillez qu'avec une chaîne correctement affûtée.

Dispositifs de réduction du risque de blessure par choc de recul.

DOLMAR a mis au point un frein de chaîne spécial destiné à réduire le risque de choc de recul.

Le frein de chaîne augmente la sécurité du travail, c'est-à-dire que lorsque la chaîne remonte brusquement, la chaîne s'arrête de tourner en l'espace d'une fraction de seconde. Une protection main située sur le levier de débrayage du frein de chaîne et une poignée arrière munie d'une protection protègent en permanence les mains de l'utilisateur.

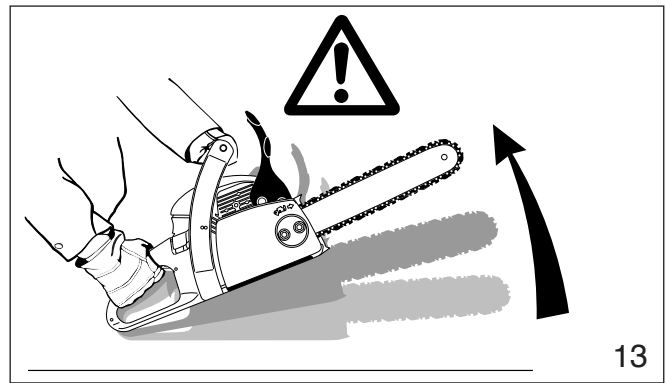
La tendance au choc de recul augmente proportionnellement au rayon ou à la taille de la pointe du guide. DOLMAR a mis au point des guides avec une pointe à petit rayon qui réduisent la tendance au choc de recul.

ATTENTION!

Aucun frein de chaîne ne peut empêcher le choc de recul.

Ces freins ne sont conçus que pour arrêter la chaîne lorsqu'ils sont actionnés.

Pour garantir un fonctionnement fiable du frein de chaîne, il faut l'entretenir correctement. Par ailleurs, la distance entre l'utilisateur et le guide doit être suffisante pour que le frein de chaîne ait le temps de réagir et d'arrêter la chaîne avant un éventuel contact avec l'utilisateur.



13

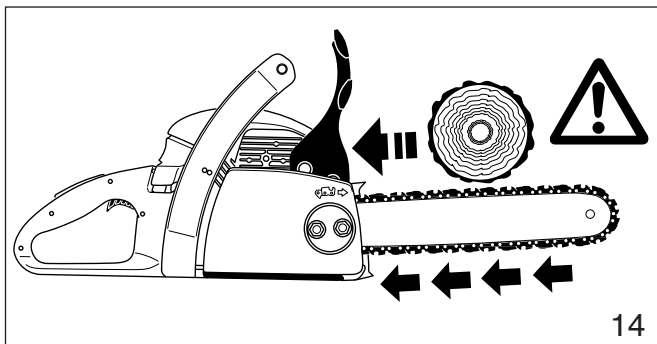
Pour éviter le choc de recul

Le meilleur moyen de se protéger contre les blessures dues au choc de recul est d'éviter les situations qui le favorisent :

1. Tenez fermement la tronçonneuse à deux mains et assurez toujours une prise ferme.
2. Sachez toujours où se trouve la pointe du guide.
3. Ne faites jamais entrer la pointe du guide en contact avec un objet quelconque. Ne coupez pas les branches avec la pointe du guide. Soyez particulièrement prudent avec les petites branches dures, les broussailles et les jeunes arbres de petites dimensions car ils peuvent facilement se prendre dans la chaîne.
4. Ne coupez pas les bras tendus.
5. Ne coupez pas au-dessus de la hauteur d'épaules.
6. Commencez la coupe et continuez plein gaz.
7. Ne coupez qu'un rondin à la fois.
8. Soyez extrêmement prudent lorsque vous rentrez dans une coupe déjà existante.
9. N'essayez pas les coupes en plongée (cf. page 45) si vous n'avez pas l'expérience de ces techniques.
10. Soyez toujours attentif à un déplacement du rondin ou aux autres forces qui pourraient fermer la coupe et coincer la chaîne.
11. Assurez un entretien correct de la chaîne. Ne travaillez qu'avec une chaîne bien affûtée et correctement tendue.
12. Tenez-vous à côté de la coupe de la tronçonneuse.

Le recul:

Le recul se produit lorsque la chaîne se trouvant sur la partie supérieure du guide est arrêtée subitement lorsqu'elle est coincée, prise ou rencontre un corps étranger dans le bois. La réaction de la chaîne pousse la tronçonneuse directement vers l'utilisateur, lui faisant perdre le contrôle de la tronçonneuse. Le recul se produit souvent lorsque l'on coupe avec la partie supérieure du guide (fig. 14).



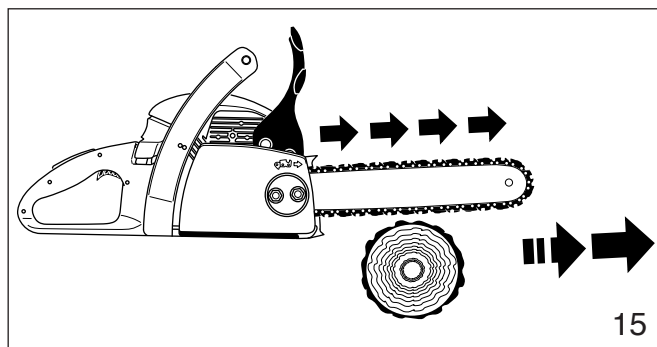
Pour éviter le recul

1. Soyez attentif aux forces ou aux situations dans lesquelles le bois peut coincer la partie supérieure de la chaîne.
2. Ne coupez pas plus d'un rondin à la fois.
3. Ne tordez pas la tronçonneuse lorsque vous retirez le guide d'une coupe en plongée ou par dessous (figures 25 à 27 et 33, pages 47 et 48) car la chaîne peut être coincée.

La traction:

La traction se produit lorsque la chaîne se trouvant sur la partie inférieure du guide est arrêtée subitement lorsqu'elle est coincée, prise ou rencontre un corps étranger dans le bois (fig. 15). La réaction de la chaîne tire la tronçonneuse vers l'avant, faisant perdre à l'utilisateur le contrôle de la tronçonneuse.

La traction se produit souvent lorsque la barre à griffe de la scie n'est pas maintenue fermement contre l'arbre ou la branche et lorsque la chaîne ne tourne pas à pleine vitesse lorsqu'elle entre en contact avec le bois.



ATTENTION!

Soyez extrêmement prudent lorsque vous coupez des broussailles et des jeunes arbres de petites dimensions car ils peuvent facilement se prendre dans la chaîne et vous tirer en vous faisant perdre l'équilibre.

Pour éviter la traction

1. Amorcez toujours une coupe avec la chaîne tournant à pleine vitesse et la barre à griffe en contact avec le bois.
2. Il est également possible d'éviter la traction en utilisant des coins en plastique pour ouvrir l'entaille ou la coupe.

Techniques de coupe

Abattage

L'abattage est la coupe d'un arbre sur pied.

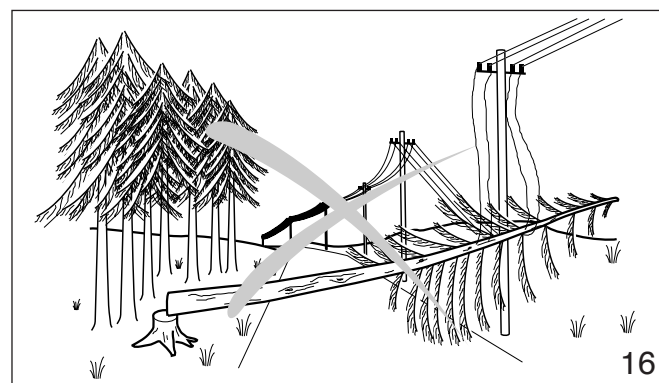
Avant d'abattre un arbre, prenez en considération toutes les conditions pouvant influencer le sens de la chute, à savoir:

le sens voulu de la chute,
l'inclinaison normale de l'arbre,
une structure de branchages particulièrement marquée,
les arbres et obstacles environnants,
la direction et la vitesse du vent.

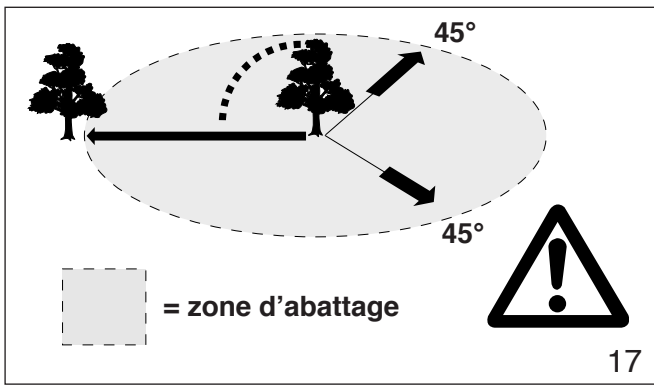
ATTENTION!

Examinez toujours l'état général de l'arbre. Cherchez les traces de pourriture dans le tronc. S'il est pourri à l'intérieur, il peut se rompre et tomber sur l'utilisateur pendant la coupe.

Cherchez aussi les branches cassées ou mortes qui pourraient être détachées par les vibrations et tomber sur l'utilisateur. En cas d'abattage en terrain incliné, l'utilisateur doit se trouver au-dessus de l'arbre.



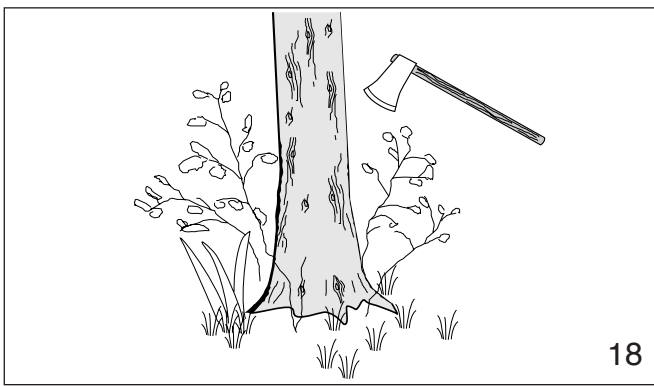
En cas d'abattage à proximité de routes, de voies ferrées et de lignes électriques, etc., prenez des précautions supplémentaires (cf. fig. 16). Informez la police, la régie d'électricité ou la compagnie de chemin de fer avant de commencer le travail.



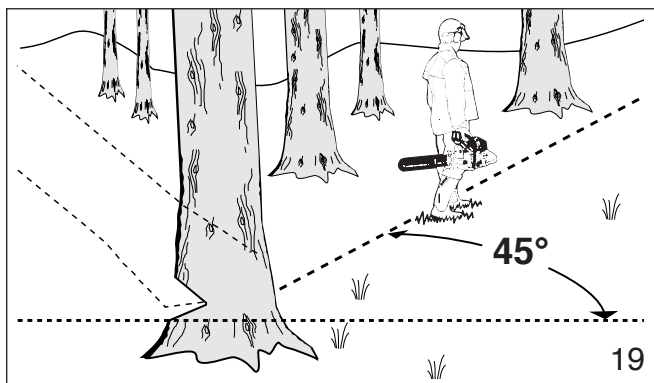
Lors de l'abattage, respectez une distance d'au moins 2 fois et demi la hauteur de l'arbre entre l'arbre et la personne la plus proche (cf. fig. 17).

Remarque: Tout avertissement peut être couvert par le bruit de votre moteur.

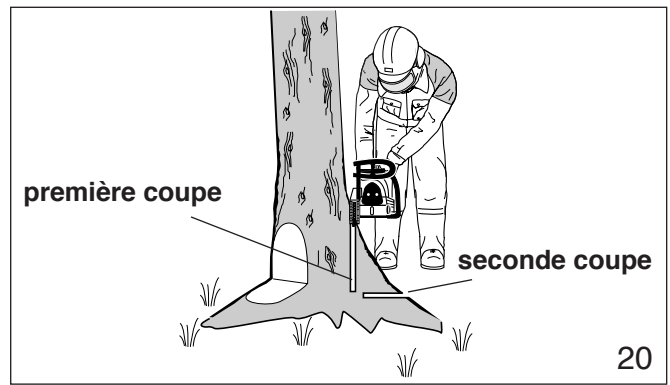
Instructions d'abattage:



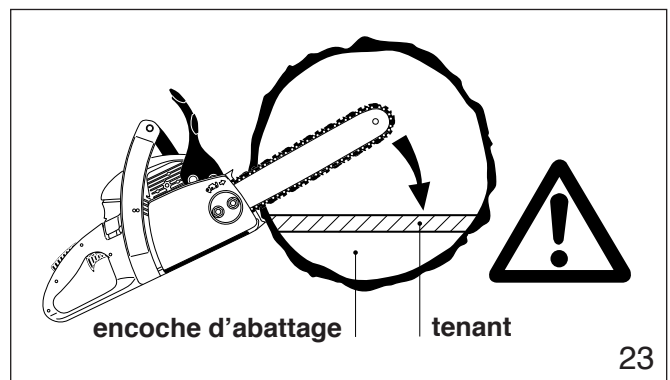
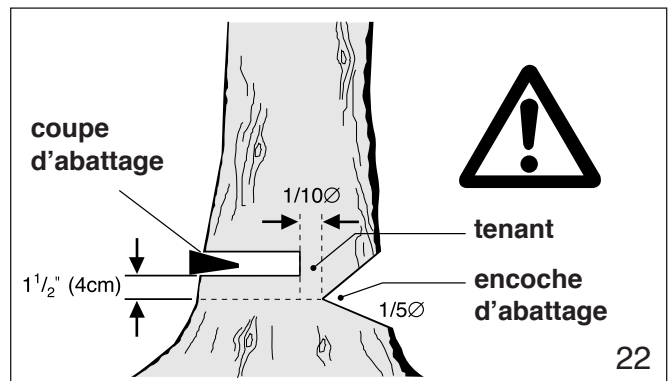
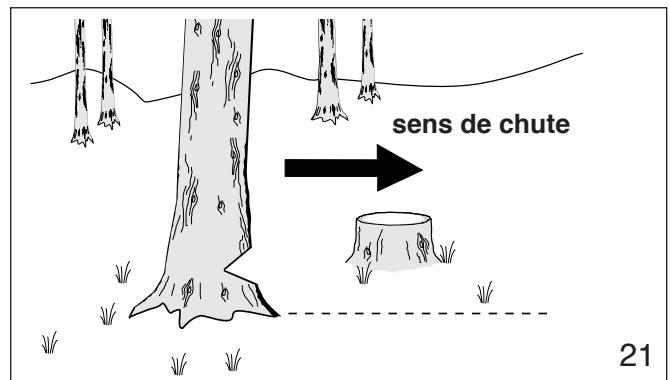
Dégagez dans un premier temps la base de l'arbre et la zone de travail des branches et broussailles gênantes et nettoyez la partie inférieure de l'arbre à la hache (cf. fig. 18).



Etablissez ensuite une voie de repli et dégagez-la de tous les obstacles. Cette voie doit être opposée à la direction prévue de la chute de l'arbre et avoir un angle de 45° (fig. 19). Il faut aussi choisir une seconde voie. Placez tous les outils et l'ensemble du matériel en sécurité à une distance suffisante de l'arbre mais pas sur la voie de repli.



Si l'arbre a de grosses racines latérales, coupez dans les plus grandes racines, d'abord verticalement puis horizontalement et enlevez le morceau ainsi découpé (fig. 20).



Déterminez ensuite l'emplacement de l'encoche d'abattage („camembert“) (fig. 21). Lorsqu'elle est correctement positionnée, l'encoche d'abattage détermine dans quelle direction l'arbre va tomber. Elle doit être pratiquée perpendiculairement à la ligne de chute aussi près que possible du sol. Coupez l'encoche d'abattage à une profondeur comprise entre un tiers et un quart du diamètre de l'arbre (fig. 22). Elle ne doit jamais être plus haute que profonde. Pratiquez l'encoche d'abattage avec grand soin.

Amorcez la coupe d'abattage légèrement plus haut que l'encoche d'abattage sur le côté opposé de l'arbre (fig. 22). Coupez ensuite horizontalement dans la direction de l'encoche d'abattage. Appliquez la tronçonneuse avec ses griffes directement derrière la partie de bois non coupée et coupez en direction de l'encoche d'abattage (fig. 23). Laissez une portion non coupée égale à environ 1/10 du diamètre de l'arbre. Cette portion constitue le tenant (fig. 23). Ne coupez pas le tenant car vous ne pourriez plus contrôler la direction de la chute. Si nécessaire, enfoncez des coins dans la coupe d'abattage pour contrôler le sens de la chute. Les coins doivent être en bois, en métal léger ou en plastique mais jamais en acier, car ils peuvent entraîner une réaction de choc de recul et détériorer la chaîne.

Restez toujours sur le côté de l'arbre qui s'abat. Lorsque l'arbre commence à s'abattre, coupez le moteur, retirez le guide et éloignez-vous sur la voie de repli que vous avez préparée. Faites attention aux chutes de branches.

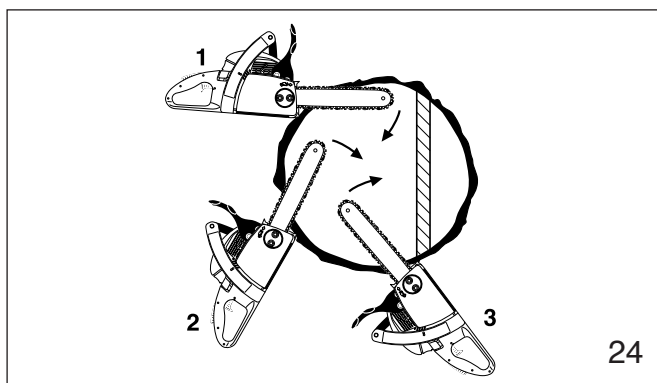
ATTENTION!

Soyez extrêmement prudent avec les arbres partiellement abattus qui ont un soutien médiocre. Si l'arbre reste en suspens ou si pour une raison ou une autre il ne tombe pas complètement, posez la tronçonneuse de côté et tirez l'arbre à l'aide d'un treuil à câble, d'un palan ou d'un tracteur. Si vous essayez de l'abattre complètement en le coupant à la tronçonneuse, vous risquez de vous blesser.

Méthode de sectionnement

ATTENTION!

Pour abattre un arbre dont le diamètre est supérieur à la longueur du guide, il faut utiliser la méthode de sectionnement ou de coupe en plongée. Ces méthodes sont extrêmement dangereuses car elles utilisent la pointe du guide et peuvent entraîner des réactions de choc de recul. Ces techniques ne doivent être utilisées que par des professionnels ayant reçu une formation appropriée.

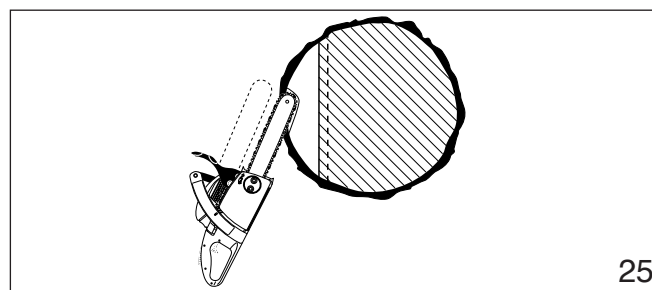


Pour la méthode de sectionnement (fig. 24), pratiquez la première coupe en faisant pivoter le guide vers le tenant. Ensuite, en utilisant la griffe du butoir comme un pivot, repositionnez la tronçonneuse pour la coupe suivante. Évitez de repositionner la tronçonneuse plus que c'est

nécessaire. Lorsque vous repositionnez la tronçonneuse pour la coupe suivante, maintenez le guide complètement engagé dans l'encoche pour que la coupe d'abattage soit droite. Si la tronçonneuse commence à se coincer, enfoncez un coin pour ouvrir la coupe. A la dernière coupe, ne coupez pas le tenant.

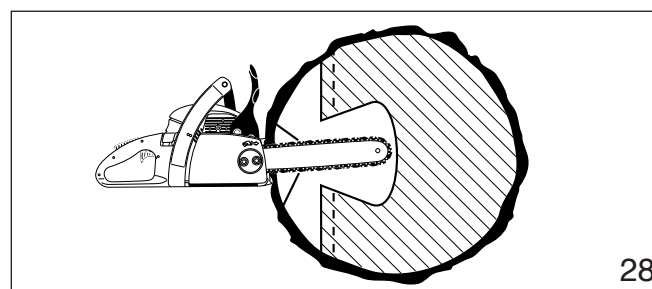
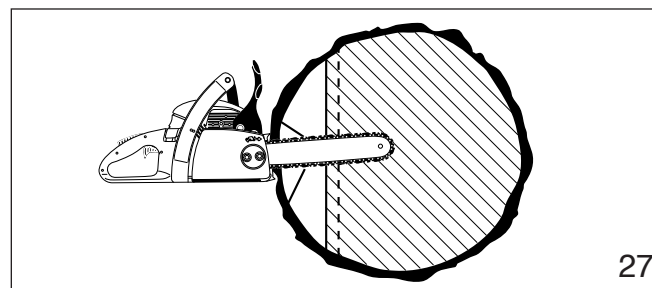
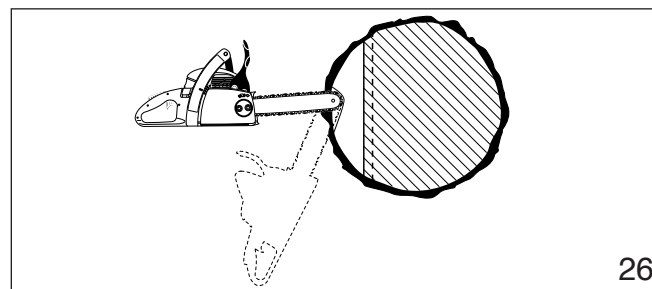
Méthode de coupe en plongée

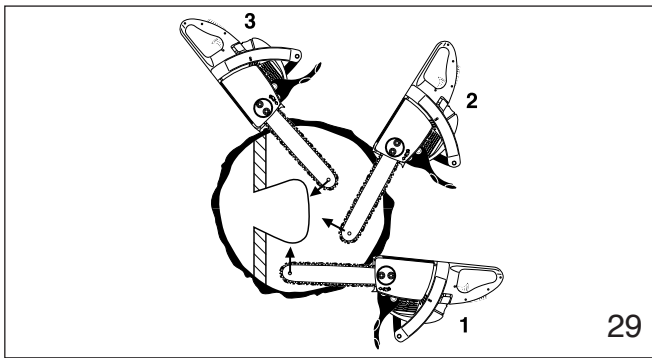
Les arbres d'un diamètre supérieur à deux fois la longueur du guide nécessitent de mettre en oeuvre la méthode de coupe en plongée avant de faire la coupe d'abattage. Dans un premier temps, coupez une encoche d'abattage grande et large. Faites une coupe en plongée au centre de l'encoche. On procède à la coupe en plongée avec la pointe du guide. Commencez la coupe en plongée en appliquant la partie inférieure de la pointe du guide sur l'arbre selon un angle (fig. 25). Coupez jusqu'à ce que la profondeur de l'encoche soit à peu près égale à la largeur du guide (fig. 26). Ensuite, orientez la scie dans la direction de l'endroit où l'évidement doit être creusé.



Mettez les gaz à fond et introduisez le guide dans le tronc (fig. 27).

Agrandissez la coupe en plongée comme indiqué sur l'illustration (fig. 28).





29

ATTENTION!

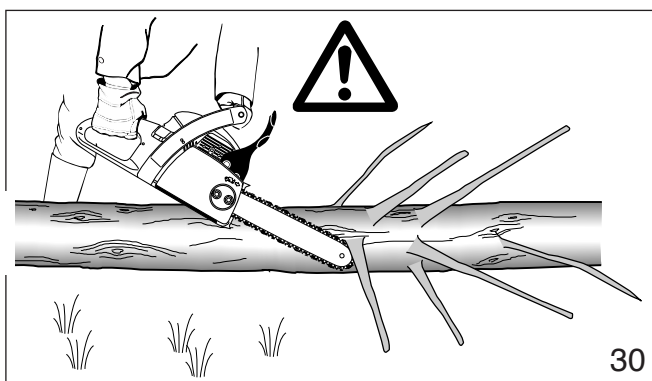
A ce point, il y a un très grand danger de choc de recul. Il faut être extrêmement prudent pour garder le contrôle de la tronçonneuse. Pour faire la coupe d'abattage, suivez la méthode de sectionnement décrite précédemment (fig. 29). Si vous n'avez pas l'expérience du travail avec une tronçonneuse, n'essayez pas de faire de coupe en plongée. Demandez l'assistance d'un professionnel.

Ebranchage

L'ébranchage consiste à couper les branches d'un arbre abattu.

ATTENTION!

Le risque de choc de recul est très grand pendant l'ébranchage. Ne travaillez pas avec la pointe du guide. Soyez extrêmement prudent et évitez tout contact entre la pointe du guide et le tronc ou les branches. Ne montez pas sur le tronc que vous êtes en train d'ébrancher car il pourrait rouler ou vous pourriez glisser.



30

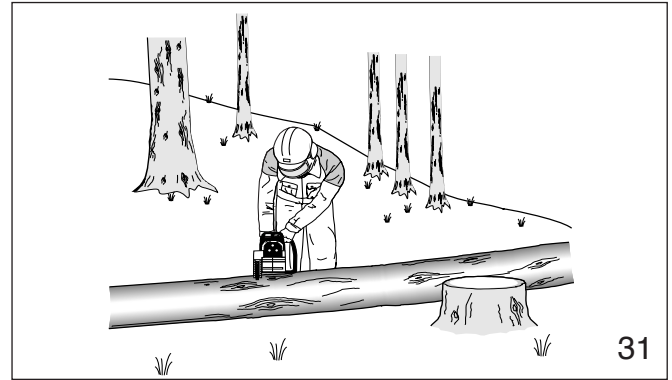
Commencez l'ébranchage en laissant les branches inférieures pour maintenir le tronc à une certaine distance du sol (fig. 30). Ne coupez pas les branches pendantes par dessous. La tronçonneuse pourrait être coincée ou la branche pourrait tomber, vous faisant perdre le contrôle de la tronçonneuse. Si le guide est coincé, arrêtez le moteur et retirez la tronçonneuse en soulevant la branche.

ATTENTION!

Soyez extrêmement prudent lorsque vous coupez des branches qui forcent. Les branches peuvent sauter vers l'utilisateur et entraîner une perte de contrôle de la tronçonneuse ou blesser l'utilisateur.

Débitage

Le débitage consiste à découper un rondin en plusieurs morceaux.



31

ATTENTION!

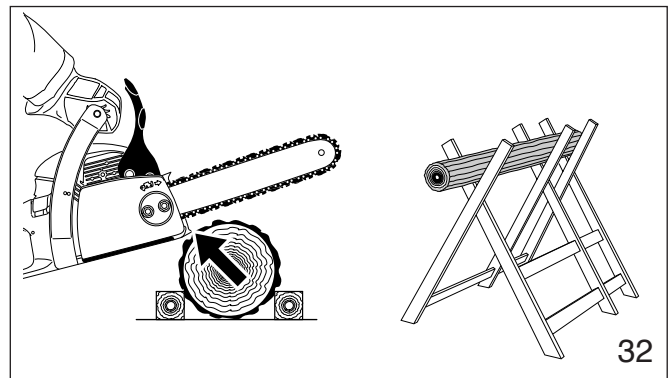
1. Ne montez pas sur le rondin que vous êtes en train de débiter. Assurez-vous que le rondin ne peut pas descendre la pente. En cas de débitage en terrain incliné, l'utilisateur doit se trouver au-dessus du rondin (cf. fig. 31). Faites attention aux rondins qui roulent.

ATTENTION!

2. Ne coupez qu'un rondin à la fois.

ATTENTION!

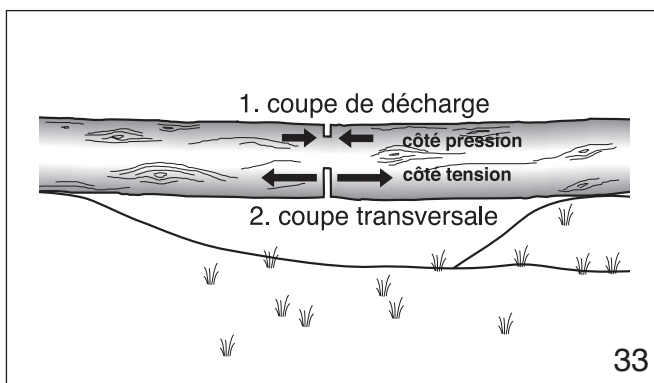
3. Il faut être très prudent pour couper le bois en éclats car des échardes acérées peuvent être entraînées par la tronçonneuse et projetées vers l'utilisateur.



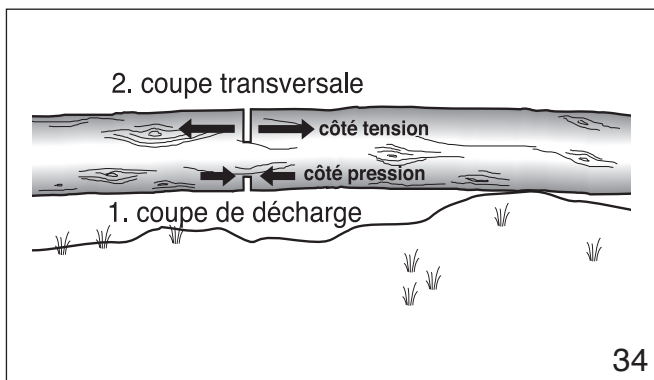
32

ATTENTION!

4. Pour couper les petits rondins, utilisez un chevalet (fig. 32). Empêchez toute autre personne de tenir le rondin. Ne maintenez jamais le rondin avec la jambe ou le pied.



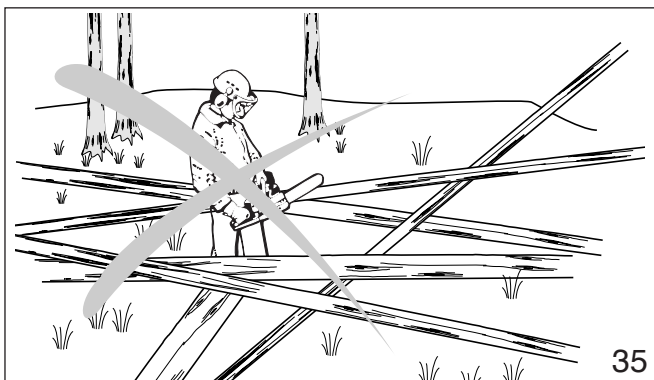
33



34

ATTENTION!

- Lorsque vous coupez des rondins qui forcent, il faut être extrêmement prudent pour éviter que la tronçonneuse soit coincée. La première coupe est pratiquée sur le côté comprimé pour soulager la tension du rondin (cf. fig 33, 34). On procède ensuite à la coupe de débitage de la façon indiquée. Si la tronçonneuse est coincée, arrêtez le moteur et retirez-la du rondin.



35

ATTENTION!

- Le travail dans une zone où les rondins, les branches et les racines sont enchevêtrés (p.ex. dans une zone où les arbres ont été abattus par le vent, fig. 35) ne doit être fait que par des professionnels ayant reçu une formation appropriée. Le travail dans une zone où les arbres ont été abattus par le vent est très dangereux.

ATTENTION!

- Amenez les rondins dans une zone dégagée avant de commencer le débitage. Tirez d'abord les rondins exposés et dégagés.

Entretien et réparation

N'utilisez jamais une tronçonneuse endommagée, incorrectement réglée ou incomplètement ou incorrectement assemblée. Respectez les instructions d'entretien et de réparation du chapitre correspondant du présent mode d'emploi.

ATTENTION!

Avant de commencer toute opération d'entretien, de réparation ou de nettoyage de la tronçonneuse, il faut toujours arrêter le moteur et s'assurer que la chaîne est arrêtée. Ne procédez pas à des opérations d'entretien ou de réparation qui ne figurent pas dans ce mode d'emploi. Confiez-les uniquement à votre agence technique DOLMAR.

Entretien et stockage de la tronçonneuse

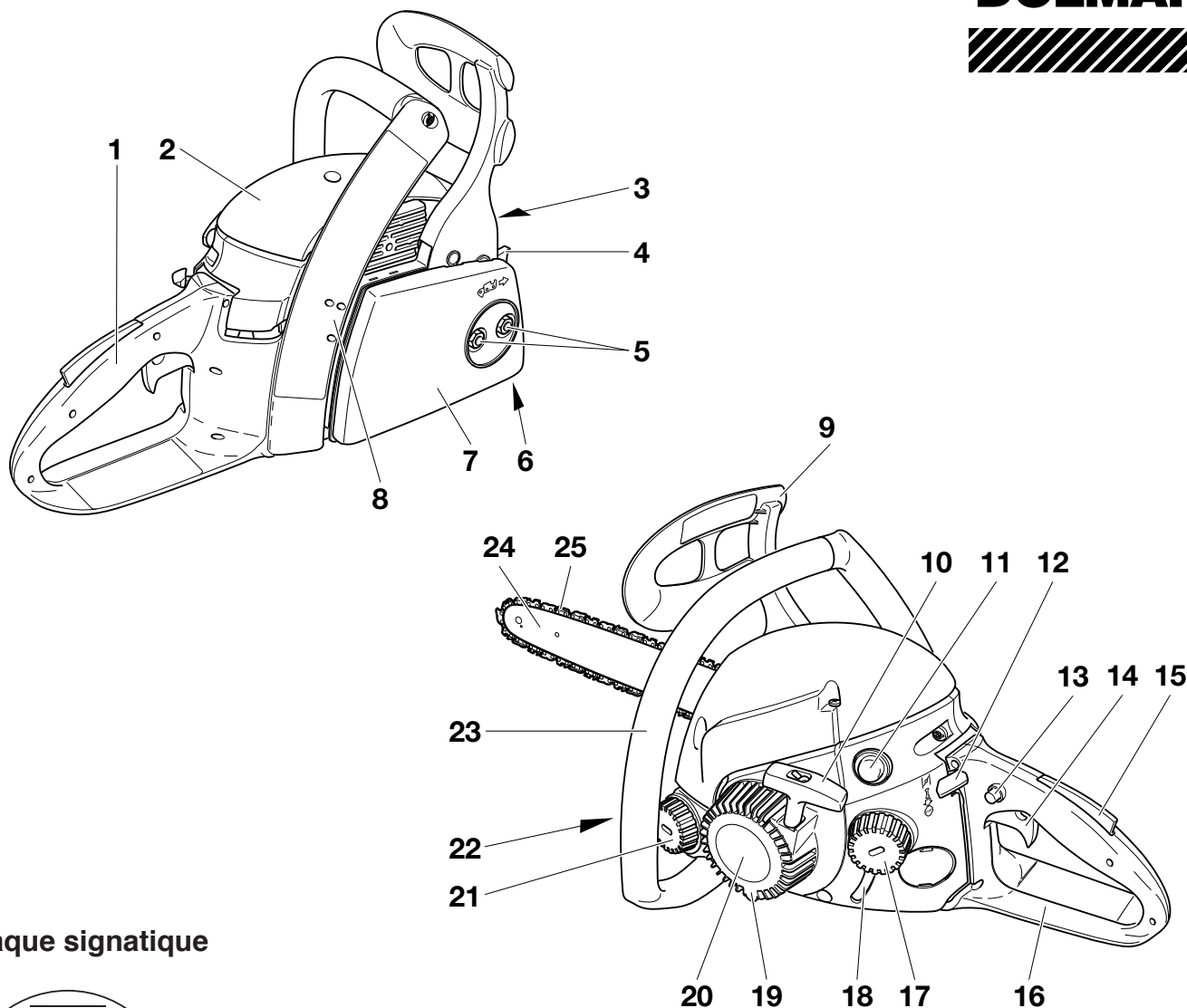
Maintenez la chaîne, le guide et le pignon propres et lubrifiés ; changez les chaînes et les pignons usés.

La chaîne doit toujours être correctement affûtée. On reconnaît que la chaîne est émoussée au fait que le bois tendre est difficile à couper et que des traces de brûlure apparaissent sur le bois.

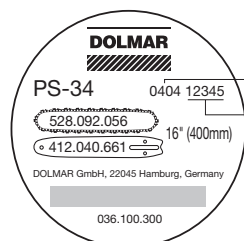
Assurez-vous que la chaîne est toujours correctement tendue. Après chaque utilisation, resserrez tous les écrous, boulons et vis à l'exception des vis de réglage du carburateur.

Assurez-vous que la bougie et le câble d'allumage sont toujours propres et bien fixés.

Conservez les tronçonneuses en hauteur ou sous clé hors de portée des enfants.



Plaque signalétique



Année de construction

Numéro de série

à indiquer lors de commande de pièces de rechange!

- | | |
|---|--|
| <ul style="list-style-type: none"> 1 Poignée 2 Couvercle du filtre 3 Silencieux avec pare-étincelles 4 Rive dentée (Butée à griffe pour maintenir fermement la tronçonneuse contre le bois) 5 Ecrous de fixation 6 Arrête chaîne 7 Protection roue à chaîne 8 Vis de réglage pour le carburateur 9 Protège-main (déclencheur pour frein de chaîne) 10 Poignée de lancement 11 Pompe à essence (Primer) 12 Commutateur combiné Marche/Arrêt (E/S), starter | <ul style="list-style-type: none"> 13 Bouton de blocage pour mi-gaz 14 Levier de gaz 15 Touche de verrouillage de sécurité 16 Protège-main arrière 17 Bouchon de fermeture du réservoir carburant 18 Fenêtre du réservoir carburant 19 Carter ventilateur avec dispositif de lancement 20 Plaque signalétique 21 Bouchon de fermeture du réservoir huile 22 Fenêtre du réservoir à huile 23 Poignée-étrier 24 Guide de la chaîne de la scie 25 Chaîne de sciage |
|---|--|

Caractéristiques techniques

PS-34

Monocylindre à deux temps

Cylindrée
Alésage
Course
Puissance maxi/régime
Couple maxi/régime
Ralenti
Niveau sonore à pleine charge mesuré aux oreilles de l'opérateur selon ANSI B 175.1
Niveau sonore pour une personne voisine (à une distance de 50ft/15 m) selon ANSI B 175.1

2.0 cu. in (33 cm³)
1.45" (37 mm)
1.22" (31 mm)
1.3/9,000 kW/rpm
1.7/6,500 Nm/rpm
2,800 rpm

98 db(A)

73 db(A)

Allumage

Electronique, sans rupteur
Bougie
ou bougie
Ecartement des électrodes

NGK BPMR 7A

.020" (0.5 mm)

Système de carburant

Carburateur (pour le Canada)
Carburateur (pour les Etats-Unis)
(tous les modèles ont un carburateur à membrane à pompe à carburant intégrée)
Contenance du réservoir à carburant
Mélange 2 temps

ZAMA avec „limiter caps”
ZAMA avec „limiter caps”

13.0 oz. (0.37 l)
cf. chapitre "Carburant"

Poids

sans dispositif de coupe

10 lbs. 5 oz. (4.7 kg)

Dispositif de coupe

Guide
Longueur de coupe
Chaîne de sécurité au pas de 3/8"
Epaisseur du chaînon moteur
Pignon de chaîne à dents

Pointe de guide à pignon
14" (35 cm) • 16" (40 cm)
(528 092 ...)
.050"
6

Lubrification de la chaîne

Pompe à huile entièrement automatique

Contenance du réservoir d'huile

8.8 oz. (0.25 l)

Combinaisons autorisées de guides et de chaînes

„Une chaîne de tronçonneuse à faible choc de recul est une chaîne qui est en conformité avec les exigences de choc de recul de la norme ANSI B 175.1-1991 (Norme nationale américaine relative aux exigences de sécurité pour l'outillage à moteur - tronçonneuses thermiques) lorsqu'elle a été testée sur l'échantillon représentatif de tronçonneuses de moins de 3.8. pouces cubes de cylindrée spécifié dans ANSI B 175.1-1991“.

Les combinaisons autorisées de guides et de chaînes sont des chaînes à faible choc de recul selon ANSI B 175.1-1991 et elles sont également en conformité avec la norme CSA Z62.3-96 pour les chaînes des tronçonneuses de cylindrée inférieure à 80 cm³.

Les tronçonneuses PS-34 sont été agréées pour les combinaisons suivantes de guide et de chaîne:

Longueur	Guide 3/8" Référence	Chaîne 3/8" Référence
14" (35 cm)	412 035 661	528 092 052
16" (40 cm)	412 040 661	528 092 056

„Il peut y avoir d'autres combinaisons disponibles de guide et de chaîne de rechange qui réduisent aussi le risque de blessure par choc de recul“.

ATTENTION!

N'utilisez pas d'autres guides et chaînes de rechange s'ils n'ont pas été reconnus conformes aux exigences de choc de recul des normes ANSI B 175.1-1991 (pour les Etats-Unis) et CSA Z62.3-96 (pour le Canada) sur cette puissance spécifique ou s'ils ont été reconnus à „faible choc de recul“ conformément aux normes ANSI B 175.1-1991 (pour les Etats-Unis) et CSA Z62.3-96 (pour le Canada).

MISE EN ROUTE



ATTENTION:

Pour tous travaux effectués sur le guide de la chaîne de sciage, le moteur doit être impérativement arrêté et la fiche de bougie doit être enlevée (voir paragraphe pour le remplacement de la bougie) et le port de gants de protection est obligatoire!

ATTENTION:

La tronçonneuse ne peut être démarrée qu'après le montage complet et le contrôle effectué!

A

Montage du guide et de la chaîne de sciage

Utiliser la clé combinée livrée avec la machine pour les travaux suivants.

Placer la tronçonneuse sur un support stable et exécuter les opérations suivantes pour le montage de la chaîne de sciage et du guide de la chaîne.

Desserrer le frein de chaîne, tirer pour cela le protège-main (1) dans le sens de la flèche.

Dévisser les écrous de fixation (2).

Retirer la protection de la roue à chaîne (3).

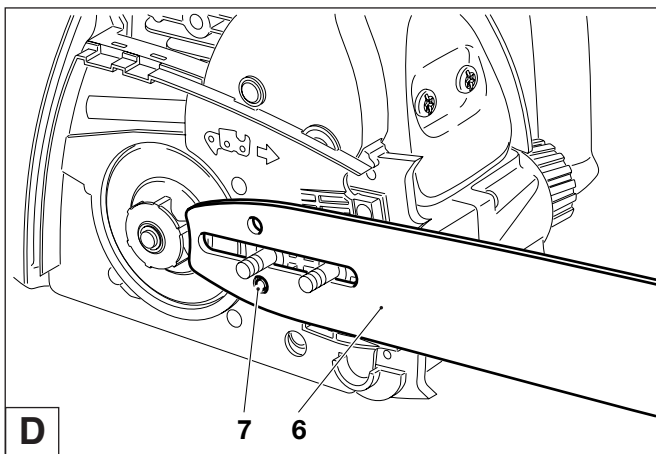
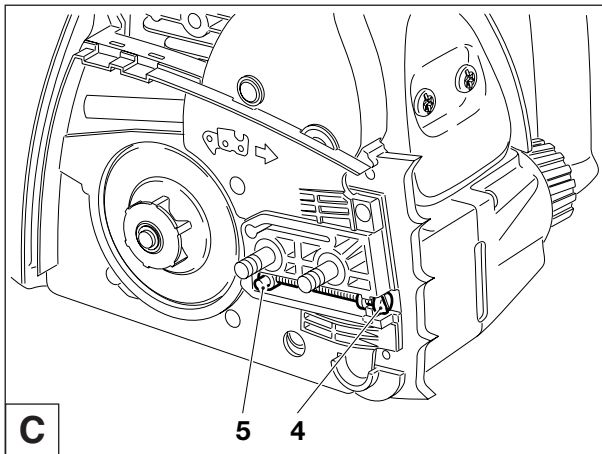
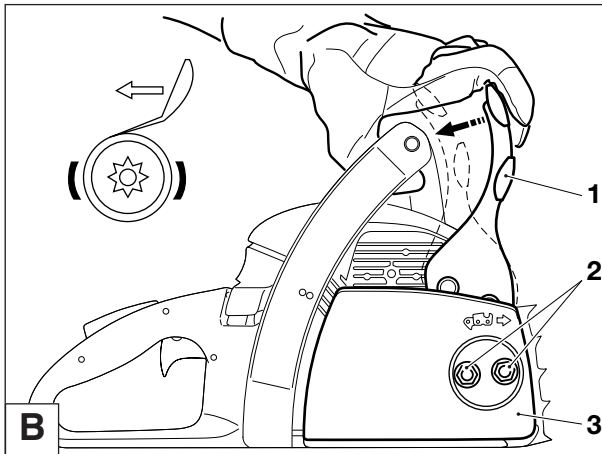
B

Tourner la vis de serrage de la chaîne (4) dans le sens contraire des aiguilles jusqu'à ce que le tourillon (5) se trouve face à la butée de gauche.

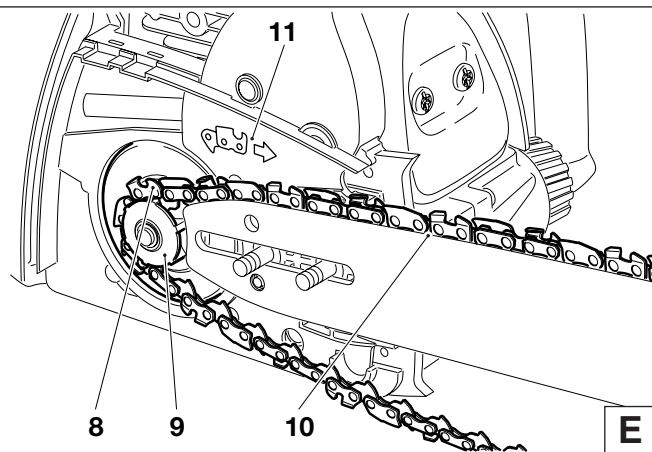
C

Monter le guide de la chaîne (6). Veillez à ce que le tourillon (7) du tendeur de la chaîne pénètre dans le trou du guide de la chaîne.

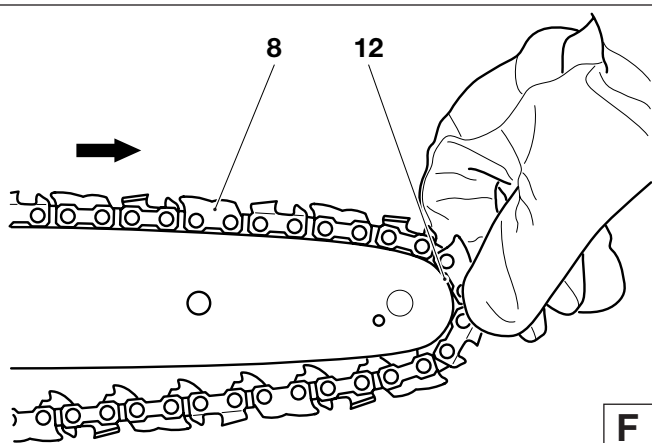
D



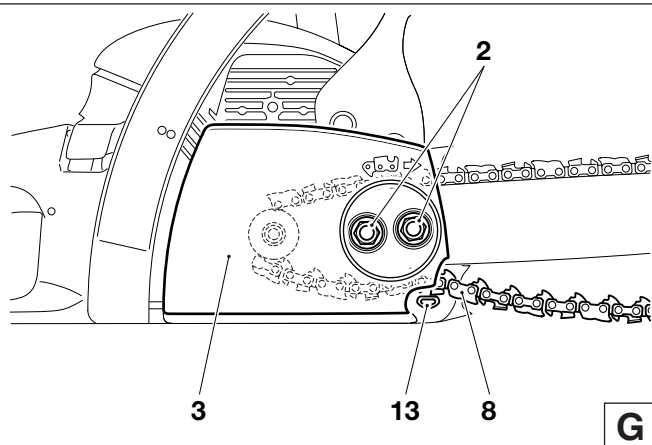
Poser la chaîne de sciage (8) sur le plateau (9). Introduire avec la main droite la chaîne de sciage dans la rainure de guidage supérieure du guide de la chaîne (10). Les arêtes coupantes de la chaîne de sciage doivent être dirigées dans le sens de la flèche sur la partie supérieure du guide (11)!



Guider la chaîne de sciage (8) autour de l'étoile de renvoi (12) du guide de la chaîne, en tirant légèrement la chaîne de sciage dans le sens de la flèche.



Poser la protection de la roue à chaîne (3), en guidant la chaîne de sciage (8) via l'arrêt de chaîne (13). Serrer les écrous de fixation (2) à la main.

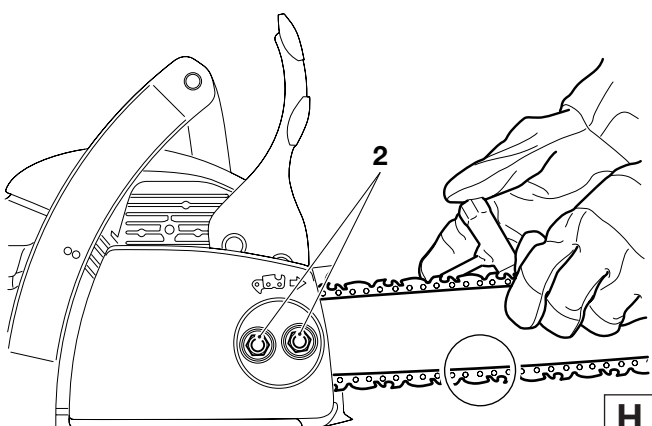


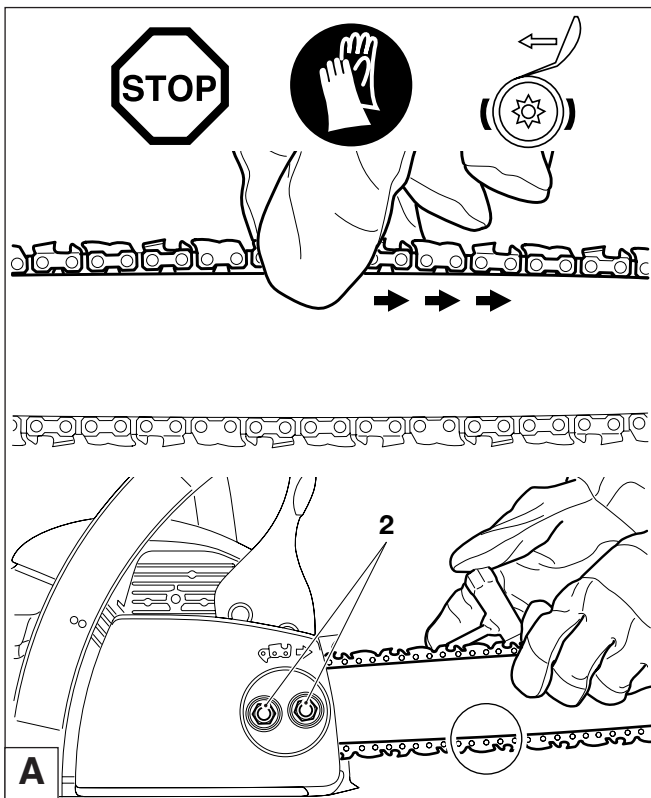
Tendre la chaîne de sciage

Turner le tendeur de chaîne (C/4) vers la droite (sens des aiguilles d'une montre) jusqu'à ce que la chaîne de sciage s'enfile dans la rainure de guidage de la face inférieure du guide (voir cercle).

Relever légèrement la pointe du guide de la chaîne de sciage et tourner la vis de tension de la chaîne (C/4) vers la droite (dans le sens des aiguilles d'une montre) jusqu'à ce que la chaîne s'applique sur la face inférieure du guide (voir cercle).

Continuer à relever la pointe du guide et bloquer les écrous de fixation (2) avec la clé combinée.





Contrôle de la tension de la chaîne

Une tension correcte de la chaîne est réalisée lorsque la chaîne s'applique sur le guide inférieur et qu'elle peut encore être légèrement écartée du guide à la main.

Ce faisant, le frein de la chaîne doit être libéré.

Contrôler fréquemment la tension de la chaîne, les chaînes neuves ayant tendance à s'allonger !

Par conséquent, vérifier souvent la tension de la chaîne le moteur étant arrêté.

REMARQUE:

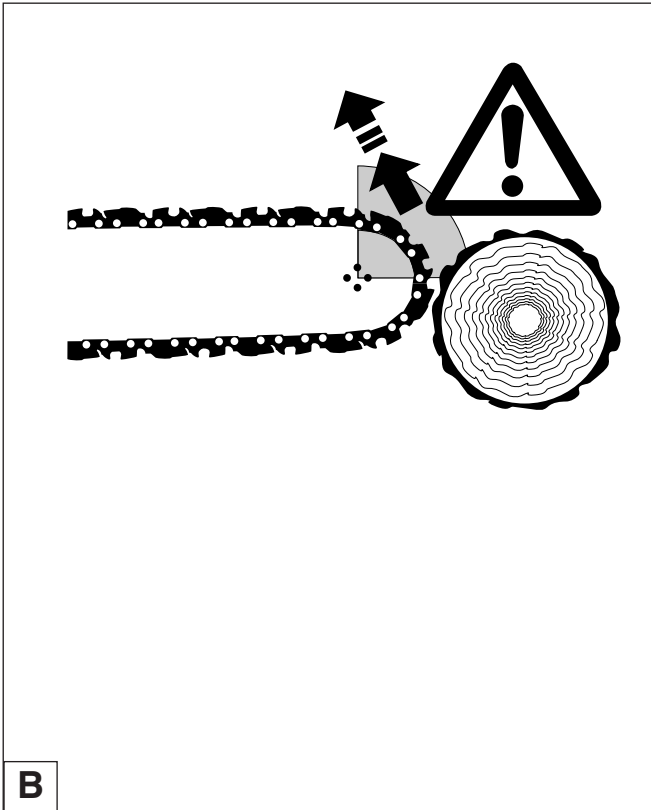
En pratique, on devrait utiliser alternativement 2 à 3 chaînes de sciage.

Pour atténuer une usure régulière des guides, on devra retourner le guide de la chaîne lors du changement de la chaîne.

Retendre la chaîne de sciage

Desserrer les écrous de fixation (A/2) d'un tour environ au moyen de la clé universelle. Lever légèrement la pointe de la chaîne de sciage et tourner la vis de réglage vers la droite (dans le sens des aiguilles) jusqu'à ce que la chaîne de sciage repose de nouveau sur la partie inférieure du guide (voir cercle).

Continuer de soulever la pointe de la chaîne de sciage et bien resserrer les écrous de fixation (A/2) avec la clé universelle.



Frein de chaîne

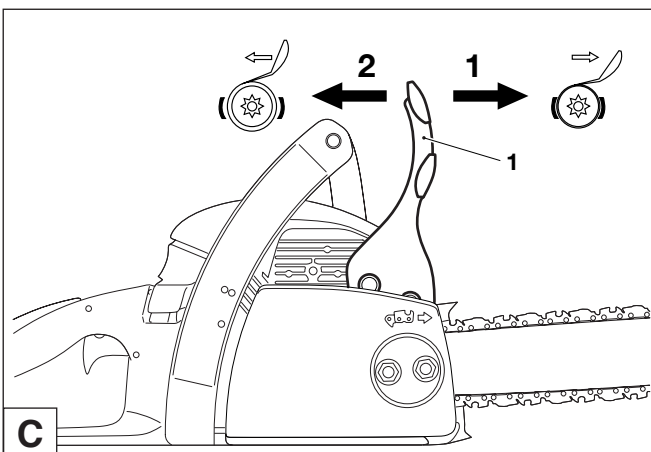
Les modèles DOLMAR PS-34 sont équipés en série d'un frein de chaîne à déclenchement d'accélération. Si un contrecoup se produit (kickback), dû à un heurt de la pointe du guide contre le bois (voir chapitre «CONSIGNES DE SECURITE» à la page 39, 43, 44), le frein de chaîne se déclenche automatiquement en cas de contrecoup suffisamment fort par inertie de masse.

La chaîne de sciage est interrompue pendant une fraction de seconde.

Le frein de chaîne n'est prévue que pour des cas d'urgence et pour le blocage de la chaîne avant le démarrage.

ATTENTION : Ne jamais utiliser la tronçonneuse quand le frein de chaîne est déclenché (sauf pendant le contrôle, voir chaîne « Contrôle du frein de chaîne »), sinon la tronçonneuse risque de s'abîmer en très peu de temps !

Desserrer impérativement le frein de chaîne avant de commencer à travailler !



Déclencher le frein de chaîne (bloquer)

En cas de contrecoup suffisamment fort, le frein de chaîne **se déclenche automatiquement** dû à l'accélération rapide de la chaîne de sciage et à l'inertie de masse du protège-main (1).

Lors d'un enclenchement **manuel** le protège-main (1) est poussé par la main gauche en direction de la pointe du guide de la chaîne (flèche 1).

Libérer le frein à main

Tirer le protège-main (1) en direction de la poignée en étrier (flèche 2) jusqu'à son enclenchement. Le frein à main est libéré.

Carburants

ATTENTION:

L'appareil est utilisé avec des produits d'huiles minérales (essence et huile)!

Votre attention est requise lorsque vous manipulez l'essence.

Il est interdit de fumer et tout feu immédiat n'est pas autorisé (risque d'explosion).

Mélange carburant

Le moteur de la tronçonneuse est un moteur thermique à deux temps de haute performance. Ce moteur est alimenté par un mélange de carburant et d'huile moteur deux temps.

La conception du moteur a été réalisée pour fonctionner à l'essence normal sans plomb avec un degré d'octane minimum de 91 ROZ. Si un tel type de carburant n'était pas disponible, on peut aussi utiliser un carburant d'un degré d'octane plus élevé. Le moteur n'en subit aucun dommage.

Pour un fonctionnement optimal, ainsi que pour la protection de la santé et de l'environnement, utilisez toujours un carburant sans plomb.

Le graissage du moteur est réalisé par une huile moteur à deux temps (échelle de qualité JASO FC ou ISO EGD) qui est additionnée au carburant. En usine le moteur a été réglé pour l'huile moteur deux temps très performante de DOLMAR avec un rapport de mélange de 50:1. Ceci garantit une longue durée de vie et un fonctionnement fiable avec un très faible dégagement de fumées du moteur.

L'huile deux temps de haute performance DOLMAR peut être livrée selon les besoins dans des bidons aux contenances suivantes:

2.6 oz N° de commande 986 100 100

6.4 oz N° de commande 986 100 101

En cas de non-utilisation d'huile deux temps à haute performance DOLMAR, il est impératif d'observer un rapport de mélange de 40:1 en cas d'utilisation d'autres huiles deux temps. Sinon, un fonctionnement impeccable ne peut être garanti.

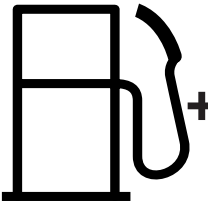
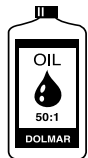
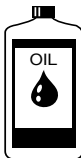
Réalisation du rapport correct du mélange

50:1 En utilisant l'huile deux temps de haute performance DOLMAR, ceci signifie mélanger 50 parties d'essence avec une partie d'huile

40:1 En utilisant une autre huile moteur deux temps, ceci signifie mélanger 40 parties d'essence avec une partie d'huile

REMARQUE: Pour fabriquer le mélange essence-huile, il faut toujours mélanger préalablement le volume d'huile prévu dans la moitié du volume d'essence, puis y ajouter le volume d'essence restant. Avant de remplir la tronçonneuse avec le mélange, bien secouer le mélange terminé.



Carburant	50:1 l'huile DOLMAR	40:1 autre huile
		
1.0 Us-gal. (3.7 l)	2.6 floz. (75 cm ³)	3.2 floz. (94 cm ³)
2.5 Us-gal. (9.4 l)	6.4 floz. (189 cm ³)	8.0 floz. (236 cm ³)
5.0 Us-gal. (18.9 l)	12.8 floz. (378 cm ³)	16.0 floz. (473 cm ³)

Il n'est pas raisonnable que par excès de conscience de sécurité d'augmenter la part d'huile au delà du rapport indiqué du mélange, le résultat serait plus de résidus de combustion ce qui polluerait l'environnement et boucherait la sortie d'échappement dans le cylindre, ainsi que le silencieux. En outre, la consommation de carburant augmenterait et la puissance diminuerait.

Stockage de carburants

Les carburants ne sont stockables que de manière restreinte. Le carburant et les mélanges de carburant vieillissent par évaporation sous l'effet de températures élevées. Le carburant et les mélanges de carburant stockés pendant une trop longue durée peuvent entraîner des problèmes de démarrage et endommager le moteur. N'acheter que la quantité de carburant à consommer en l'espace de quelques mois. Consommer le carburant mélangé en 6-8 semaines en cas de températures élevées. **Ne transporter et ne stocker le carburant et l'huile de chaîne que dans des nourrices agréées et portant les indications nécessaires. Stocker le carburant uniquement au sec, au froid et en toute sécurité!**

EVITEZ LE CONTACT AVEC LA PEAU ET LES YEUX

Les produits pétroliers, ainsi que les huiles, dégraissent la peau. Lors d'un contact répété et prolongé la peau se dessèche. Les suites peuvent être différentes maladies de peau. D'autre part, on connaît les réactions allergiques.

Le contact avec les yeux de l'huile conduit à des irritations. en cas de contact, rincer immédiatement l'oeil avec de l'eau claire. Si l'irritation continue, consulter immédiatement un médecin.

D

Huile de chaîne de sciage



Pour le graissage de la chaîne de sciage et du guide, il faut utiliser une huile de chaîne avec un additif d'adhérence. L'additif d'adhérence à l'huile de chaîne empêche une rapide jetée de l'huile du dispositif de sciage.

Pour protéger l'environnement, il est conseillé d'utiliser une huile de chaîne biodégradable. Souvent, les instances régionales prescrivent l'utilisation d'huile biodégradables.

L'huile de chaîne de sciage BIOTOP proposée par DOLMAR est fabriquée à base d'huiles végétales sélectionnées et elle est 100% biodégradables. BIOTOP porte comme référence l'ange bleu d'environnement (RAL UZ 48).



L'huile de chaîne BIOTOP est disponible dans les bidons aux contenances suivantes :

1 l
5 l
20 l

L'huile de chaîne biodégradable ne se conserve que pendant un temps limité et devra être utilisée dans un délai de 2 ans après la date de fabrication imprimée.

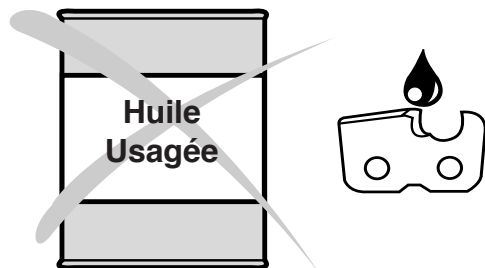
E

Remarque importante pour les huiles de chaîne de sciage bio

Avant une longue mise hors service, le réservoir à huile doit être vidé et rempli ensuite d'un peu d'**huile moteur** (SAE 30). Ensuite, faire marcher la tronçonneuse pendant quelques temps de manière à rincer les restes d'huile bio du réservoir, du système de conduite d'huile et du dispositif de sciage. Cette mesure est indispensable car différentes huiles bio ont tendance à coller ce qui peut détériorer la pompe à huile ou des éléments d'alimentation d'huile.

Lors de la remise en marche, verser à nouveau l'huile de chaîne BIOTOP. Les dommages résultant de l'utilisation d'huiles usagées ou d'huiles de chaîne non appropriées ne sont pas couverts par la garantie.

Votre vendeur spécialisé vous informe sur la manipulation et l'utilisation d'huile de chaîne de sciage.



N'UTILISEZ JAMAIS DE HUILES USAGEES

Une huile usagée est extrêmement dangereuse pour l'environnement!

Les huiles usagées contiennent une grande part de produits connus pour être cancérigènes.

Les souillures dans les huiles usagées amènent une grande usure de la pompe à huile et du dispositif de sciage.

Les dommages résultant de l'utilisation d'huiles usagées ou d'huiles de chaîne non appropriées ne sont pas couverts par la garantie.

Votre vendeur spécialisé vous informe sur la manipulation et l'utilisation d'huile de chaîne de sciage.

EVITEZ LE CONTACT AVEC LA PEAU ET LES YEUX

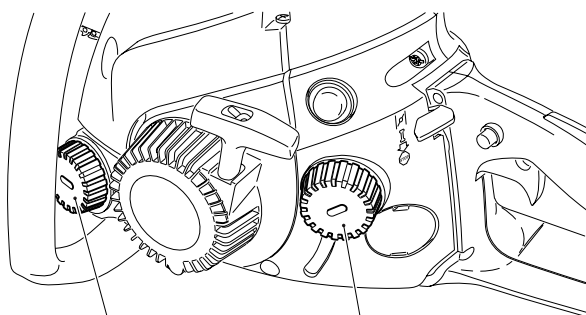
Les produits pétroliers, ainsi que les huiles, dégraissent la peau. Lors d'un contact répété et prolongé la peau se dessèche. Les suites peuvent être différentes maladies de peau. D'autre part, on connaît les réactions allergiques.

Le contact avec les yeux de l'huile conduit à des irritations. en cas de contact, rincer immédiatement l'oeil avec de l'eau claire.

Si l'irritation continue, consulter immédiatement un médecin.

A

Remplissage des réservoirs



Huile de chaîne



Mélange carburant / huile

RESPECTER IMPERATIVEMENT LES REGLES DE SECURITE!

La manipulation de carburants exige une manipulation avec précaution et prudence.

Ne le faire que si le moteur est arrêté!

Bien nettoyer le pourtour des emplacements de remplissage pour éviter la pénétration de salissures dans le réservoir de mélange de carburant ou d'huile.

Dévisser le bouchon du réservoir et remplir le mélange de carburant ou l'huile jusqu'au bord inférieur de la tubulure de remplissage en prenant soin de ne pas verser à côté le mélange ou l'huile de chaîne.

Revisser fermement le capuchon du réservoir.

Nettoyer le capuchon et le pourtour après remplissage!

Graissage de la chaîne de sciage



Pour graisser suffisamment la chaîne de sciage, il faut qu'il y ait toujours assez d'huile de chaîne dans le réservoir. Le contenu du réservoir suffit pour environ une demi-heure de marche continue.

Vérifier pendant le travail qu'il y a suffisamment d'huile à chaîne dans le réservoir. Si nécessaire, faire l'appoint. **Ne le faire que si le moteur est arrêté!**

B

Vérifier le graissage de la chaîne

Ne jamais scier sans graissage suffisant. Vous risquez sinon de réduire la durée de vie du dispositif de sciage!

Vérifier avant de démarrer le travail la quantité d'huile dans le réservoir, ainsi que le débit d'huile.

Le débit d'huile peut être vérifié de la manière suivante:

Démarrer la tronçonneuse.

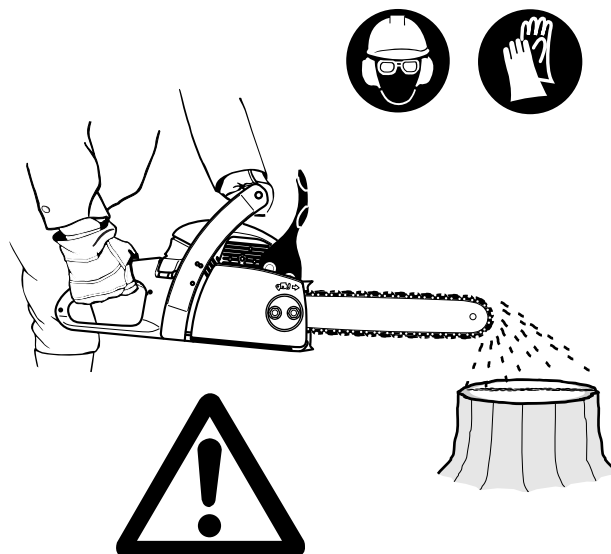
Maintenir la chaîne de sciage en marche env. 6" (15 cm) par dessus une souche d'arbre ou le sol (choisir une base adéquate).

Lorsque le graissage est suffisant, on doit observer une légère trace d'huile par l'huile éjectée. Faire attention à la direction du vent et ne pas s'exposer inutilement à la vapeur d'huile.

Remarque:

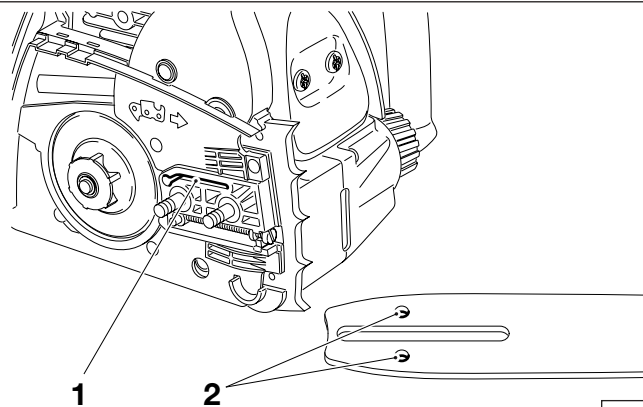
Après la mise hors service de la tronçonneuse, il est normal que de petites quantités d'huile de chaîne restant encore dans le système de conduite d'huile et sur le guide s'écoulent encore un certain temps. Il ne s'agit pas d'un défaut dans ce cas.

Utiliser un support adéquat!



C

Pour que pompe à huile fonctionne toujours parfaitement, la rainure de guidage d'huile sur le carter du vilebrequin (1), ainsi que les orifices d'entrée d'huile dans le guide de la chaîne (2) doivent régulièrement être nettoyés.



D

Démarrer le moteur

La tronçonneuse ne peut être démarrée qu'après le montage complet et le contrôle effectué!

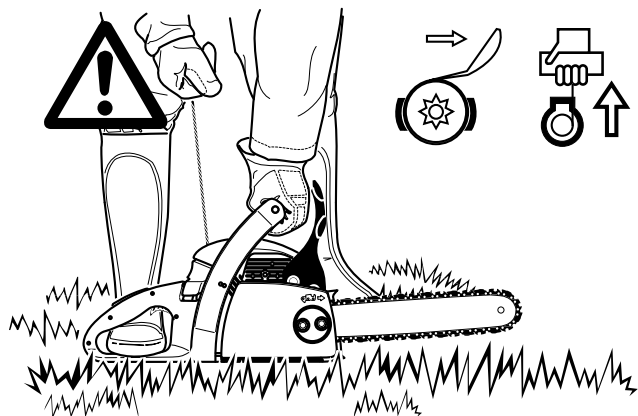
Démarrer le moteur au moins 10 pieds (3 m) de l'endroit du réservoir.

Prendre une position stable et sûre, puis placer la tronçonneuse sur le sol pour que le dispositif de sciage soit dégagé.

Libérer le frein de chaîne (bloquer).

Saisir fermement la poignée-étrier avec une main et plaquer la tronçonneuse sur le sol.

Placer la pointe du pied droit dans le protège-main arrière.



A

Démarrage à froid:



Actionner la pompe à essence (5) en pressant plusieurs fois jusqu'à ce que de l'essence soit visible dans la pompe.

Pousser le commutateur combiné (1) vers le haut (position starter).

Saisir la poignée (la paume de la main appuie sur le bouton d'arrêt de sécurité (4)).

Enfoncer le levier de gaz (3) et le maintenir.

Pousser la tête d'enclenchement (2) et relâcher le levier de gaz (3) (le levier de gaz est bloqué par la tête d'enclenchement en position demi-gaz).

Tirer le cordon de lancement (6) lentement jusqu'à sentir une résistance (le piston se trouve au point mort haut).

Puis, tirer fortement et rapidement jusqu'au déclenchement du premier allumage audible.

Attention: Ne pas retirer le cordon de lancement de plus de 20" (50 cm) et le ramener lentement à la main.

Enfoncer le commutateur combiné (1) après les premiers allumages audibles en position «I» et retirer le cordon de lancement.

Dès que le moteur tourne, actionner le levier de gaz (3) pour que le bouton de blocage (2) ressorte et pour que le moteur tourne au ralenti.

Attention: Le moteur doit être mis au régime du ralenti dès qu'il a démarré, car autrement le frein de chaîne risque d'être endommagé.

Libérer maintenant le frein de chaîne.



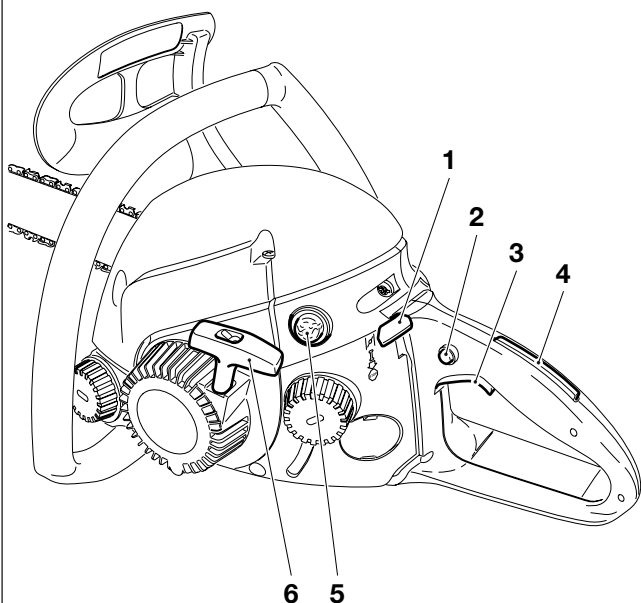
Démarrage à chaud:

Comme décrit dans le paragraphe concernant le démarrage à froid, toutefois sans utiliser le commutateur (1) en position starter.

Arrêter le moteur



Pousser le commutateur combiné (1) vers le bas en position «STOP».



B

Vérifier le frein de chaîne

Le frein de chaîne doit être vérifié avant de commencer tous travaux.

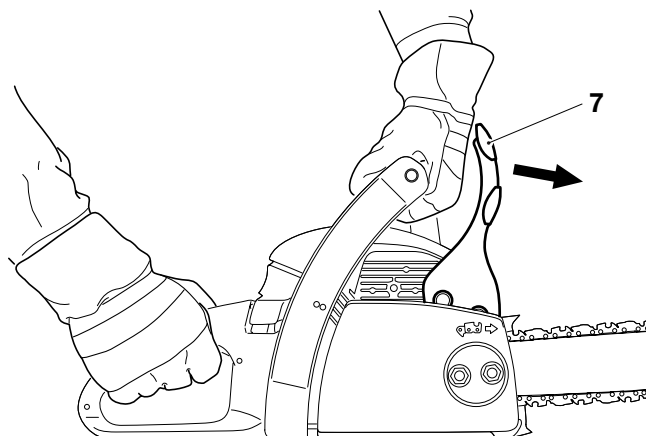
Démarrer le moteur comme décrit (prendre une position stable et poser la tronçonneuse sur le sol de façon à ce que le dispositif de sciage soit libre).

Bien tenir la poignée-étrier d'une main, l'autre main étant sur la manette.

Laisser tourner le moteur à mi-vitesse et appuyer sur le protège-mains (7) avec le dos de la main dans la sens de la flèche jusqu'à ce que le frein de chaîne se bloque. La chaîne de sciage doit immédiatement s'immobiliser.

Faire tourner immédiatement le moteur au ralenti et redresser le frein de chaîne.

Attention: Si la chaîne de sciage ne s'arrête pas immédiatement après ce contrôle, il ne faut en aucun cas commencer à travailler. Prière de consulter un atelier spécialisé DOLMAR pour réparation.



C

Réglage du carburateur

Le réglage du carburateur sert à garantir un fonctionnement optimal, une consommation économique et une sécurité d'utilisation sans compromis. Il doit être effectué quand le moteur est chaud, le filtre à air propre et la chaîne de sciage correctement tendue. Recourir à un atelier spécialisé DOLMAR pour le réglage du carburateur.

Ne jamais modifier soi-même le réglage de base pour le gicleur de ralenti (L) et le gicleur principal (H) pour éviter de détériorer le moteur.

Le carburateur est réglé par défaut pour des conditions de pression atmosphérique au niveau de la mer. Il est nécessaire de corriger légèrement le réglage en présence d'altitudes, conditions météorologiques, températures ou humidité de l'air différentes.



SERVICE



Réglage du ralenti

Avant de procéder au réglage, faire tourner le moteur à chaud pendant 3 à 5 minutes. Eviter les régimes élevés !

Régler le ralenti avec un tournevis (largeur de lame 0.16"). Le tournevis est disponible en option.

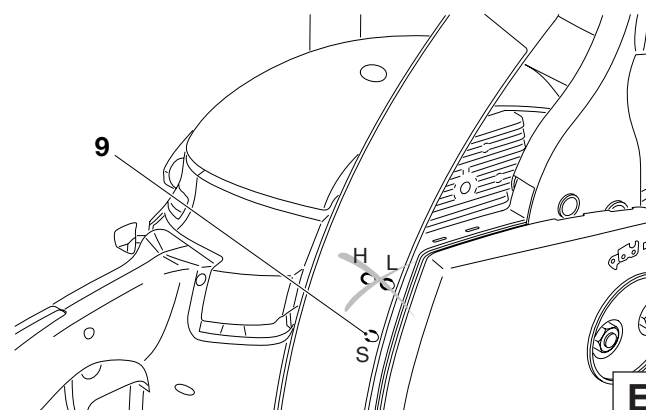
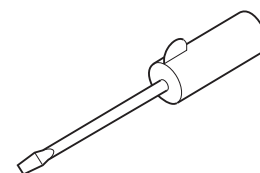
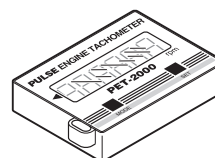
Si la chaîne se déplace à la marche du moteur sans actionner l'accélérateur, c'est que le régime de ralenti est trop élevé et doit être corrigé.

Dévisser la vis de réglage (9) progressivement dans le sens inverse des aiguilles jusqu'à ce que la chaîne de sciage ne bouge plus.

Si le moteur ne tourne pas rond (moteur tendant à s'arrêter), tourner progressivement la vis de réglage (9) dans le sens des aiguilles jusqu'à ce que le moteur tourne normalement.

Attention : La chaîne de sciage ne doit se déplacer en aucun cas au ralenti !

Si le réglage décrit ci-dessus n'est pas fructueux, il est interdit de commencer à travailler. Consulter un atelier de réparation DOLMAR.



E

TRAVAUX DE MAINTENANCE

Affûtage de la chaîne de sciage



ATTENTION: Pour tous travaux effectués sur le guide de la chaîne de sciage, le moteur doit être impérativement arrêté et la fiche de bougie doit être enlevée (voir paragraphe pour le remplacement de la bougie) **et le port de gants de protection est obligatoire!**

La chaîne de sciage doit être affûtée lorsque :

les copeaux deviennent farineux en sciant du bois humide.

la chaîne, tout en exerçant une forte pression, ne „tire“ que péniblement dans le bois.

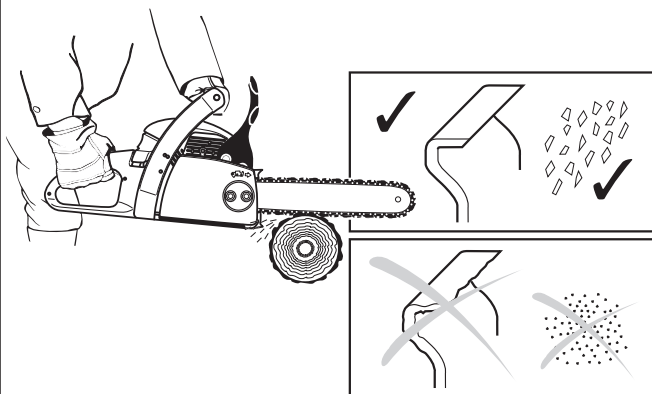
les arêtes de coupe sont visiblement endommagées.

le dispositif de sciage gauchit dans le bois latéralement vers la gauche ou la droite. La raison est un affûtage irrégulier de la chaîne de sciage.

Important : affûter souvent, sans enlever de trop de matériau !

Lors d'un simple affûtage, il suffit souvent de 2 à 3 coups de lime.

Après avoir effectué soi-même plusieurs affûtages, faire affûter la chaîne à l'atelier spécialisé.



A

Critères d'affûtage :

ATTENTION : N'utiliser que des chaînes et guide permis pour cette tronçonneuse (voir extrait de la liste de pièces de rechange)!

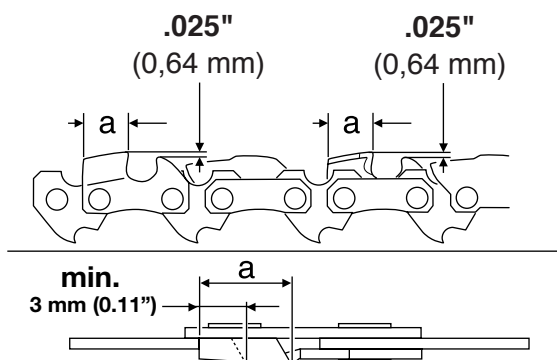
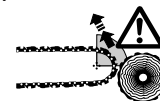
Toutes les dents de rabotage doivent avoir la même longueur (dimension a). Des dents de rabotage de hauteur différente signifient une marche dure de la chaîne et peuvent provoquer des ruptures de chaîne!

Longueur minimale de dent de rabotage 0.11" (3 mm). Ne pas raffûter la chaîne de sciage lorsque la longueur minimale de dent de rabotage est atteinte. Une nouvelle chaîne de sciage doit être alors montée (voir „extrait de la liste des pièces de rechange“ et chapitre „Nouvelle chaîne de sciage“).

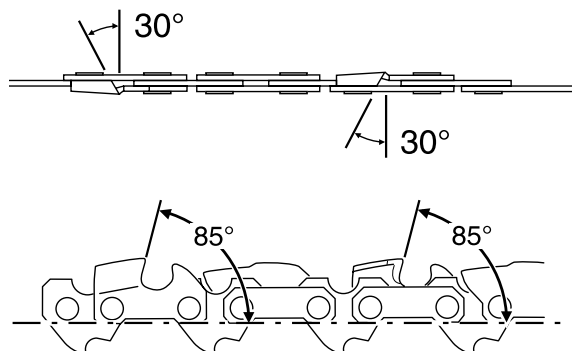
L'écart entre le limiteur de profondeur (nez rond) et l'arête de coupe détermine l'épaisseur du copeau.

Les meilleurs résultats de coupe sont obtenus avec une distance du limiteur de profondeur de .025" (0,64 mm).

ATTENTION: Une distance trop grande augmente le danger d'un choc de recul!



B



L'angle d'affûtage de 30° doit être absolument identique pour toutes les dents de rabotage. Des angles différents provoquent une marche irrégulière et rude de la chaîne, augmentent l'usure et aboutissent à des ruptures de chaîne!

L'angle d'arasement de la dent de rabotage de 85° s'obtient par la profondeur de pénétration de la lime ronde. Si la lime prescrite est guidée correctement, l'angle d'arasement correct s'obtient par lui même.

C

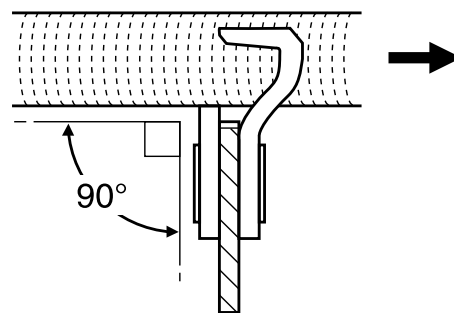
Lime et guidage de la lime

Pour affûter la lime, il faut utiliser un porte-lime spécial avec une lime ronde de chaîne de sciage $\varnothing 5/32''$ (4,0 mm). Les limes rondes normales ne sont pas appropriées. Numéro de commande, voir accessoires.

La lime ne doit attaquer que lors de la passe en avant (flèche). Lors du retour, relever la lime du matériel.

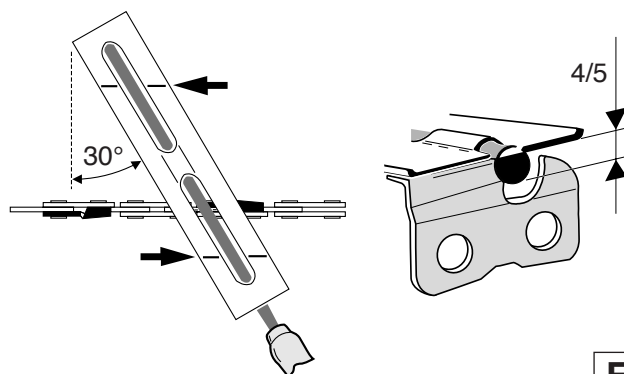
La dent de rabotage la plus courte est affûtée la première. La longueur de cette dent est alors la mesure type pour toutes les autres dents de rabotage de la chaîne de sciage.

Conduire la lime horizontalement (90° par rapport au guide).



D

Le porte-lime facilite le guidage de la lime; il offre des repères pour l'angle d'affûtage correct de 30° (aligner les repères parallèlement à la chaîne de sciage) et limite la profondeur de plongée ($4/5$ du diamètre de lime). Numéro de commande, voir accessoires.

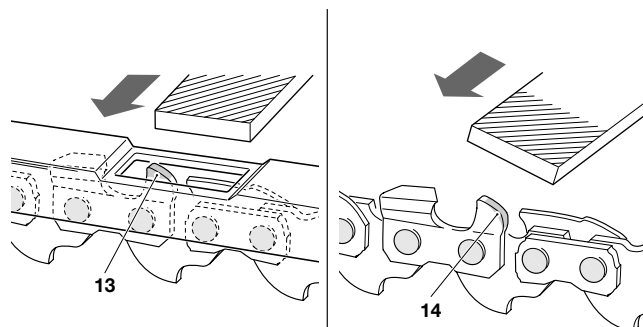


E

A la suite du nouvel affûtage, vérifier la hauteur du limiteur de profondeur avec la jauge de mesure pour chaîne. Voir accessoires pour le n° de commande.

Enlever avec la lime plate spéciale (13) tout dépassement, même le moindre.

Arrondir à nouveau le limiteur de profondeur à l'avant (14).



F



Nettoyer l'intérieur de la bande de frein de chaîne et de la roue à chaîne

ATTENTION: Pour tous travaux effectués sur le guide de la chaîne de sciage, le moteur doit être impérativement arrêté et la fiche de bougie doit être enlevée (voir paragraphe pour le remplacement de la bougie) et le port de gants de protection est obligatoire!

ATTENTION: La tronçonneuse ne peut être démarrée qu'après le montage complet et le contrôle effectué!

Enlever la protection de roue à chaîne (4) (voir chapitre «MISE EN ROUTE» A-B), et nettoyer l'intérieur avec un pinceau.

Tourner la vis pour tendre la chaîne (5) dans le sens inverse des aiguilles jusqu'à ce que vous ressentiez une résistance.

Enlever la chaîne de sciage (3) et le guide de chaîne (2).

REMARQUE :

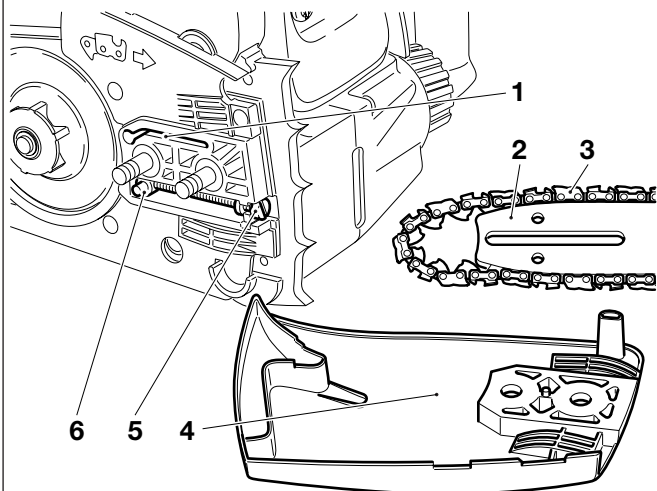
Veiller à ce qu'aucun résidu ne reste dans la rainure de guidage de l'huile (A/6) et sur le tendeur de chaîne (A/7).

Montage du guide de chaîne, de la chaîne de sciage et de la protection de la roue à chaîne voir chapitre „MISE EN ROUTE“.

REMARQUE:

Le frein de chaîne est un dispositif de sécurité très important et il est soumis comme chaque pièce à une certaine usure.

Une vérification et une maintenance régulières servent à vous assurer votre propre protection et doivent être effectuées par un atelier spécialisé DOLMAR.



DOLMAR SERVICE

A

Nettoyer le guide de la chaîne, regraisser l'étoile de déviation

ATTENTION! Porter impérativement des gants de protection.

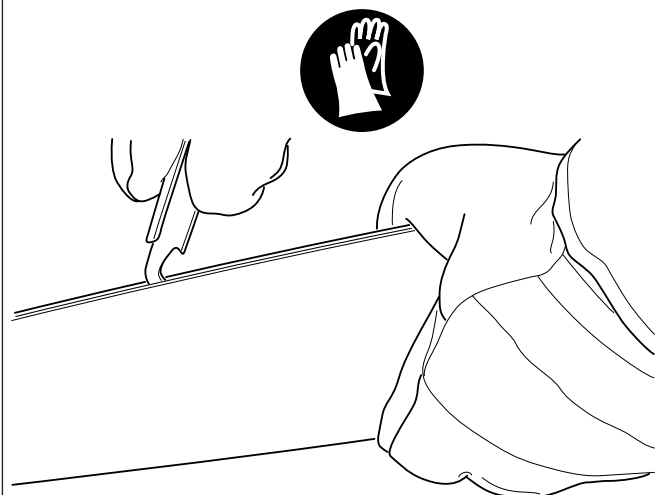
Les surfaces de roulement du guide-chaîne de chaîne doivent être régulièrement vérifiées pour voir si elles ne sont pas endommagées et nettoyées avec un outillage adapté.

En cas d'utilisation intense de la tronçonneuse électrique, il est nécessaire de regraisser régulièrement (1 x par semaine) le palier de l'étoile de déviation. Nettoyer **avec précaution** le perçage de 0.08" (2 mm) sur la pointe du guide-chaîne avant le graissage et y presser une faible quantité de graisse polyvalente.

La graisse polyvalente et la pompe à graisse sont disponibles en option.

Graisse polyvalente (n° de commande 944 360 000)

Pompe à graisse (n° de commande 944 350 000)



B

Nouvelle chaîne de sciage

ATTENTION: N'utiliser que des chaînes et guide permises pour cette tronçonneuse (voir extrait de la liste de pièces de rechange)!

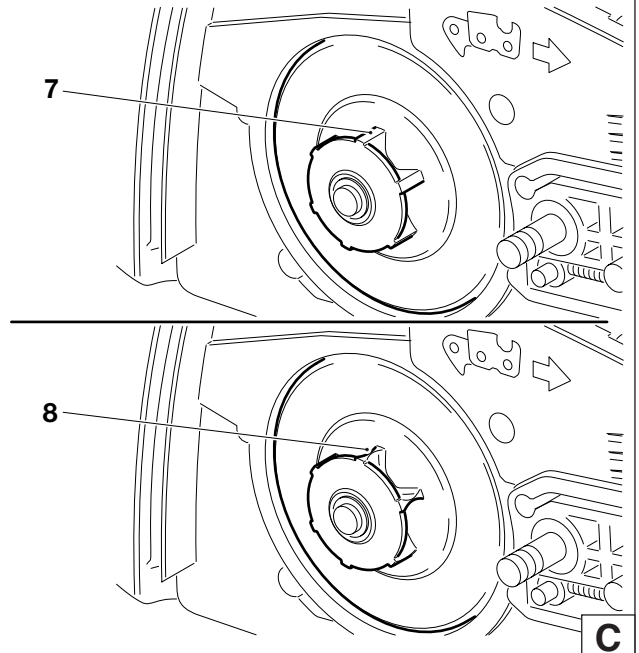
Avant de monter une nouvelle chaîne de sciage, il faut vérifier l'état de la roue à chaîne (7).

Enlever la protection de roue à chaîne (voir chapitre „MISE EN ROUTE“ A-H)

ATTENTION :

Des roues à chaîne usées (8) provoquent des détériorations sur une nouvelle chaîne de sciage et doivent impérativement être remplacées.

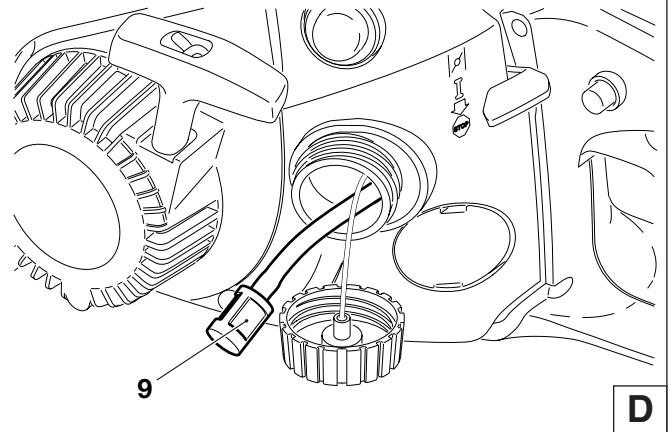
DOLMAR
 **SERVICE**



Remplacement de la crépine d'aspiration

Le filtre feutre (9) de la crépine d'aspiration peut se boucher pendant l'utilisation. Pour assurer une alimentation sans problème du carburant vers le carburateur, la crépine d'aspiration devra être remplacée environ tous les 3 mois.

Retirer la crépine d'aspiration avec un crochet en fil de fer à travers l'orifice de fermeture du réservoir.



Nettoyage du filtre à air

Dévisser les trois vis (10) et retirer le capot (11).

Enlever le filtre à air (12).

ATTENTION: Couvrir les orifices d'aspiration d'un chiffon propre pour éviter que des poussières tombent dans le carburateur.

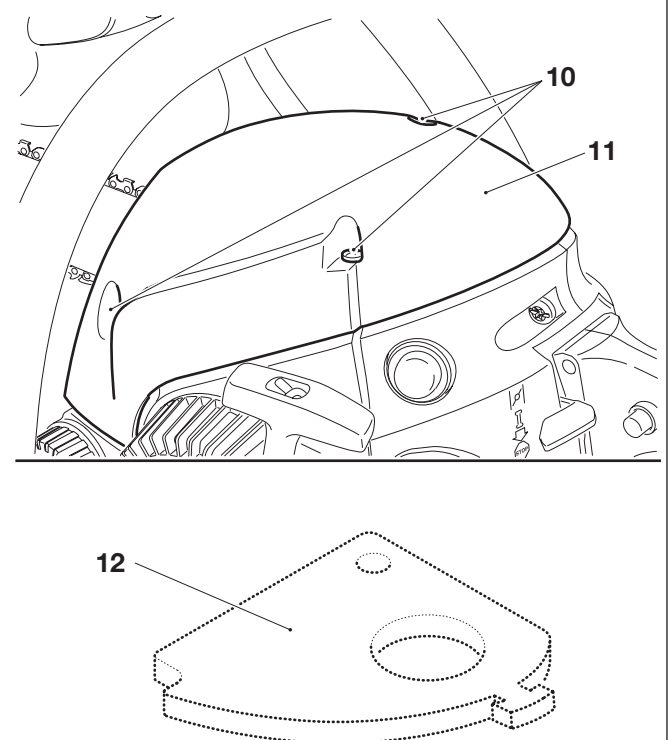
ATTENTION : Pour éviter toute blessure aux yeux, ne pas souffler les particules de salissure. Ne pas nettoyer le filtre à air à l'essence.

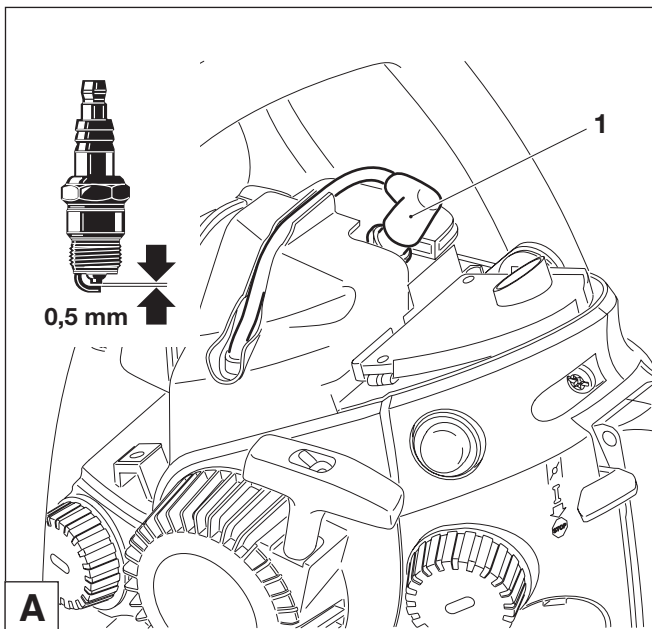
Laver des filtres à air fortement encrassés dans de l'eau savonneuse tiède avec du détergent usuel de machine à laver la vaisselle.

Bien sécher le filtre à air.

En cas de fort encrassement, procéder à un nettoyage plus fréquent (plusieurs fois par jour), car seul un filtre à air propre assure la pleine puissance du moteur.

ATTENTION: Remplacer immédiatement des filtres à air endommagés! Des morceaux de tissu déchirés et des particules de salissure grossières peuvent détériorer le moteur.





Remplacement de bougie



ATTENTION:

Les bougies d'allumage ou la fiche de la bougie ne doivent pas être touchés le moteur en marche (haute tension).

N'effectuer des travaux de maintenance que si le moteur est arrêté. Risque de brûlure lorsque le moteur est chaud: porter absolument vos gants de protection!

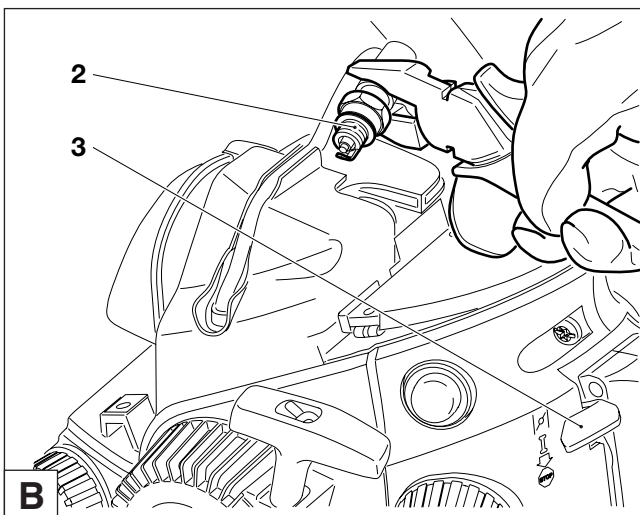
En cas de détérioration du corps isolant, d'usure importante des électrodes resp. d'électrodes très encrassées ou pleines d'huile, il faut procéder à un remplacement de la bougie.

Retirer le capot (voir «Nettoyage du filtre à air»).

Retirer la fiche de la bougie (1) de la bougie. Démontez la bougie uniquement avec la clé combinée comprise dans la fourniture.

Ecartement des électrodes

L'écartement des électrodes doit être de .020" (0,5 mm).



Vérification de l'étincelle d'allumage

Approcher une bougie (2) dévissée avec le câble solidement enfiché en la maintenant avec une pince contre le cylindre (pas à proximité de l'orifice de la bougie!).

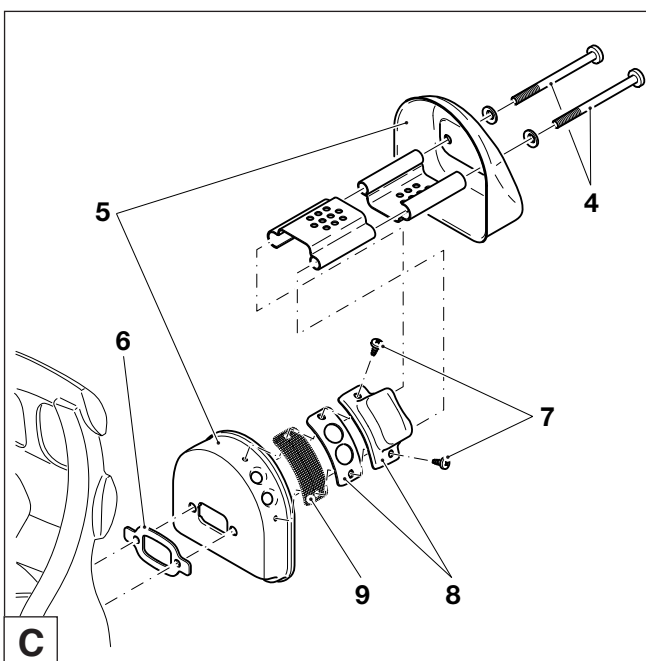
Pousser le commutateur combiné (3) en position "I" .

Tirer fortement sur le cordon de lancement.

En fonctionnement correct, l'étincelle doit être visible sur les électrodes.

ATTENTION: N'utilisez comme rechange que les bougies:

NGK BPMR 7A.



Changement / nettoyage du pare-étincelles

Il faut vérifier et nettoyer régulièrement le pare-étincelles.

Dévissez les boulons du pot d'échappement (4) et retirez avec soin le pot d'échappement (5).

REMARQUE: si le joint du pot d'échappement (6) est détérioré, changez-le.

Desserrer les vis (7) et retirer le déflecteur (8) ainsi que le pare-étincelle (9).

ATTENTION:

N'utilisez pas d'objets coupants ou pointus pour nettoyer le pare-étincelles car vous pourriez endommager ou déformer les fils du pare-étincelles.

Remonter le pare-étincelle (9) et le déflecteur (8), serrer ensuite les vis (7).

Serrez les boulons du pot d'échappement (4) à 5.6 ^{+0.07} ft. lbs. (8.0 ^{+0.1} Nm).

Indications de maintenance et d'entretien périodiques

De manière à garantir une longue durée de vie et le plein fonctionnement des dispositifs de sécurité et à éviter des détériorations, il faut effectuer régulièrement les travaux de maintenance décrits ci-dessous. Les réclamations ne pourront être reconnues comme telles si ces travaux ont été effectués régulièrement et correctement. Des accidents risquent de se produire en cas de non-observation.

Procédez aux opérations de maintenance suivantes tous les jours après le travail. Prenez-en l'habitude, car cela ne prend pas beaucoup de temps et c'est la garantie que votre tronçonneuse fonctionnera toujours correctement.

Cela permet également de détecter les défauts cachés avant qu'ils n'entraînent des interruptions gênantes et onéreuses de votre travail. Si vous détectez un défaut du système de sécurité en procédant à l'entretien quotidien, n'utilisez pas la tronçonneuse avant d'avoir remédié au défaut.

Les utilisateurs de tronçonneuses doivent effectuer que les travaux de maintenance et d'entretien qui sont décrits dans le manuel d'emploi. Les travaux non compris dans cette liste ne doivent être exécutés que dans un atelier spécialisé de DOLMAR.

			Page
Généralités	Tronçonneuse entière	Nettoyer l'extérieur et vérifier si elle n'est pas détériorée. En cas de détériorations, faire effectuer immédiatement les réparations par un spécialiste.	
	Chaîne de sciage	Raffûter régulièrement, remplacer à temps	60-61
	Frein à chaîne	Faire vérifier régulièrement par l'atelier spécialisé	
	Guide de chaîne	Tourner afin que les surfaces de roulement sollicitées s'usent de manière régulière.	54,62
	Cordon de lancement	Vérifier si il n'est pas détérioré. En cas de détériorations, faire effectuer immédiatement les réparations par un spécialiste.	
	Pare-étincelles	Vérifier s'il n'est pas détérioré, le nettoyer s'il est encrassé.	64
Avant toute mise en route	Chaîne de sciage	Vérifier le tranchant et si elle n'est pas détériorée. Contrôler la tension de la chaîne.	60-61 54
	Guide de la chaîne	Vérifier s'il n'est pas détérioré	
	Graissage de la chaîne	Vérifier le fonctionnement	57
	Frein de chaîne	Vérifier le fonctionnement	59
	Commutateur combiné Touche de blocage de sécurité, levier de gaz	Vérifier le fonctionnement	58
	Fermeture réservoirs huile et carburant	Vérifier l'étanchéité et la présence de fuites	
Journelement	Filtre à air	Nettoyer (plus souvent si nécessaire)	63
	Guide de la chaîne	Vérifier si il n'est pas détérioré, nettoyer l'orifice d'entrée d'huile	62
	Support, guide de chaîne	Nettoyer, particulièrement la rainure d'alimentation d'huile	62
	Vitesse de rotation à vide	Contrôler (la chaîne ne doit pas être entraînée)	59-60
Toutes les semaines	Carter du ventilateur	Nettoyer pour garantir un parfait guidage de l'air de refroidissement.	50
	Bougie	Vérifier, le cas échéant, remplacer	64
	Silencieux	Vérifier s'il n'est pas encrassé.	64
	Capteur de chaîne	Vérifier	50
	Vis et écrous	Vérifier l'état et le serrage correct	
Tous les 3 mois	Crépine d'aspiration	Remplacer	63
	Réservoirs carburant/huile	Nettoyer	
Tous les ans	Tronçonneuse entière	Faire vérifier par un atelier spécialisé	
Stockage	Tronçonneuse entière	Nettoyer l'extérieur et vérifier si elle n'est pas détériorée. En cas de détériorations, faire effectuer immédiatement les réparations par un spécialiste.	
	Chaîne de sciage et guide de la chaîne	Démonter, nettoyer et légèrement huiler Nettoyer la rainure de guidage du guide de la chaîne	62
	Réservoirs carburant/huile	Vidanger et nettoyer	
	Carburateur	Le laisser se vider en marche	

Service d'atelier, pièces de rechange et garantie

Maintenance et réparations

La maintenance et la remise en état de tronçonneuses modernes ainsi que les éléments les plus importants de la sécurité exigent une formation professionnelle qualifiée et un atelier équipé d'outillage spécial et d'appareils de contrôle.

DOLMAR conseille donc de faire exécuter tous les travaux de maintenance non décrits dans le manuel d'emploi par un atelier spécialisé DOLMAR. Le spécialiste dispose de la formation, de l'expérience et des équipements nécessaires pour vous apporter chaque fois la solution économique la plus avantageuse et vous apporte une aide d'assistance en pratique et en conseil.

Veuillez relever sur le répertoire des points de service ci-jointe l'atelier spécialisé le plus proche de chez vous ou adressez vous à la représentation générale indiquée au dos de cette notice ou à l'importateur indiqué. Vous y recevrez l'adresse de l'atelier spécialisé le plus proche de chez vous.

Pièces de rechange

Le fonctionnement permanent fiable et la sécurité de votre appareil dépend aussi de la qualité des pièces de rechange utilisées. N'utilisez que des pièces de rechange d'origine DOLMAR, signalées par



Seules les pièces d'origine proviennent de la chaîne de production de l'appareil et vous assurent donc la qualité optimale du matériau, du respect des dimensions et du fonctionnement et une sécurité irréprochables.

Les pièces accessoires et de rechange d'origine vous sont proposées par votre vendeur spécialisé. Il dispose des listes de pièces de rechange nécessaires pour déterminer le numéro de la pièce de rechange nécessaire, et vous informera à fur et à mesure des améliorations de détail et des nouveautés dans l'offre des pièces de rechange.

Veillez aussi noter, qu'en utilisant des pièces qui ne sont pas d'origine de DOLMAR vous perdez tout droit à la garantie de l'organisation DOLMAR.

Garantie

DOLMAR garantit un qualité irréprochable et supporte les frais pour une amélioration par remplacement des pièces défectueuses dans le cas de défauts de matériel ou de fabrication qui se présentent dans le délai de garantie après le jour de vente. Veuillez noter que dans certains pays, il existe des conditions de garantie spécifiques. Adressez vous, en cas de doute, à votre vendeur. En tant que vendeur du produit, il doit vous assurer la garantie.

Nous vous prions de comprendre que nous ne pouvons pas assurer la garantie pour les causes de détériorations suivantes:

- Non respect de la manuel d'emploi.
- Non exécution des travaux de maintenance et réparations nécessaires.
- Détériorations par suite d'un réglage non conforme du carburateur.
- Usure normale.
- Surcharge manifeste par dépassement permanent de la limite supérieure de la puissance.
- Utilisation de types de chaînes et de guides de la chaîne non agréés.
- Utilisation de longueurs de chaînes et de guides de la chaînes non admises.
- Forçage, traitement non conforme, emploi non autorisé ou cas d'accidents
- Détériorations de surchauffe causées par des encrassements du carter du ventilateur.
- Interventions de personnes non compétentes ou essais de réparations non conformes.
- Utilisation de pièces de rechange non appropriées resp. de pièces non d'origine DOLMAR, dans la mesure où elles sont sources de détériorations.
- Utilisation de produits de fonctionnement inadaptés ou superposés.
- Détériorations provenant de conditions d'utilisation du magasin de location.
- Endommagements causés par fixation dévissée et non resserrée à temps.

Les travaux de nettoyage, d'entretien et de réglage ne sont pas reconnus comme prestations de garantie. Tout travail au titre de la garantie est à effectuer par le vendeur spécialiste DOLMAR.

Recherche de pannes

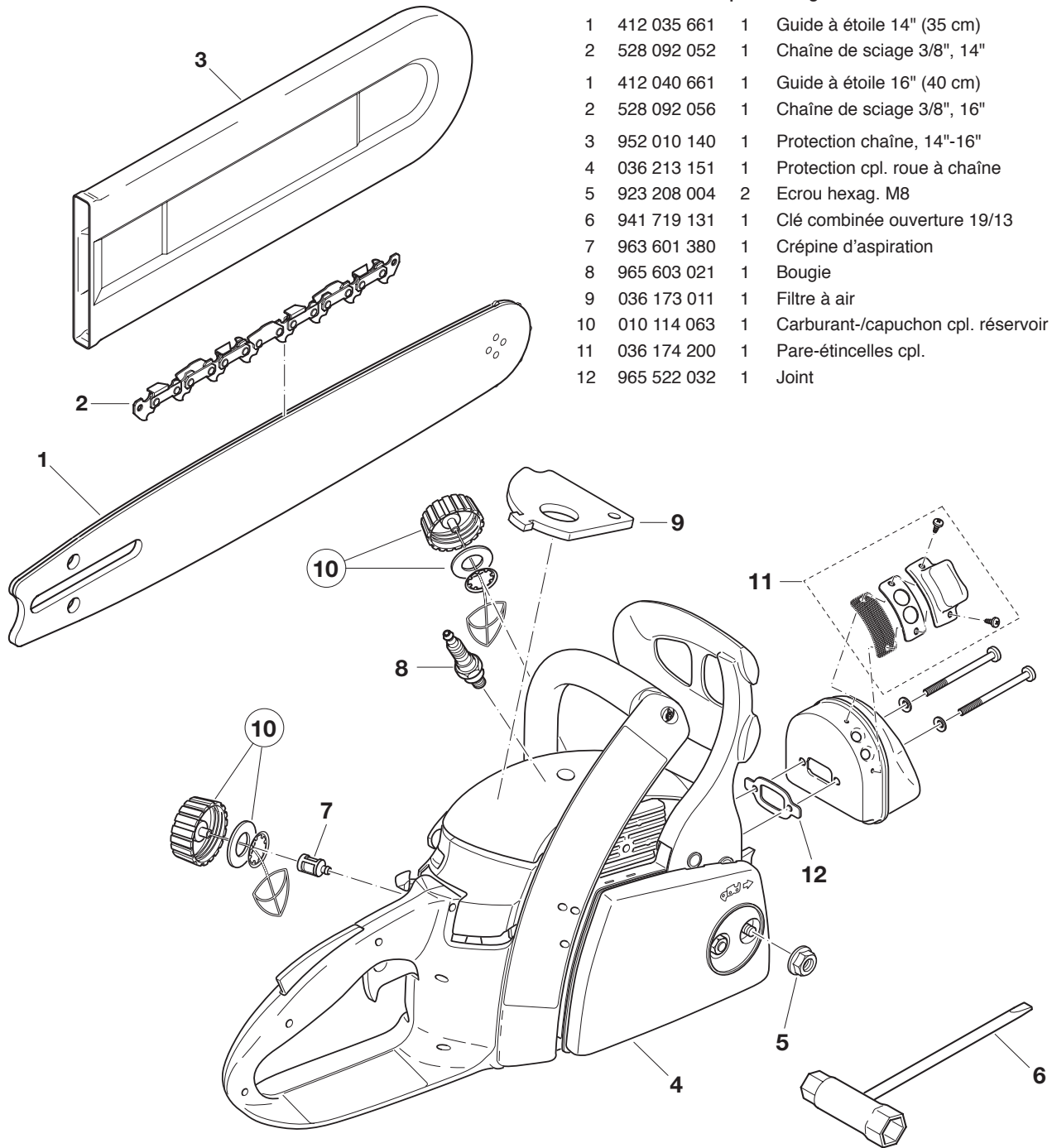
Panne	Système	Observation	Origine
Chaîne ne démarre pas	Frein de chaîne	Moteur tourne	Frein de chaîne enclenché
Moteur ne démarre pas ou démarre difficilement	Système d'allumage	Allumage existe Pas d'allumage	Défaut dans l'alimentation du carburant, système de compression, défaut mécanique Commutateur STOP enclenché, défaut ou court-circuit dans le câblage, fiche de bougie, bougie défectueuse
carburant	Alimentation	Réservoir carburant rempli	Choke en mauvaise position, carburateur défectueux, crépine d'aspiration bouchée, conduite de carburant sectionnée ou coincée
	Système de compression	A l'intérieur de l'appareil	Joint du pied de cylindre défectueux, bagues à lèvres endommagées, segments de cylindre ou de pistons endommagés
	Défaut mécanique	A l'extérieur de l'appareil Lanceur n'accroche pas	Bougie n'est pas étanche Ressort dans le démarreur brisé, pièces brisées à l'intérieur du moteur
Problèmes de démarrage à chaud	Carburateur	Carburant dans réservoir Étincelle existante	Réglage du carburateur non correct
Moteur démarre, mais immédiatement après	Alimentation carburant	Carburant dans réservoir	Réglage du ralenti non correct, crépine s'arrête d'aspiration ou carburateur encrassé Aération réservoir défectueux, conduite carburant interrompue, câble défectueux, commutateur combiné endommagé
Manque puissance	Plusieurs systèmes peuvent être mis en cause	Appareil tourne au ralenti	Filtre d'air encrassé, faux réglage du carburateur, silencieux bouché, tuyau d'échappement des gaz dans le cylindre est bouché, pare-étincelles bouché.
Pas de graissage de la chaîne	Réservoir d'huile, pompe d'huile	Pas d'huile de chaîne sur la chaîne de sciage	Réservoir d'huile vide Rainure d'alimentation d'huile encrassée

Extrait de la liste des pièces de rechange

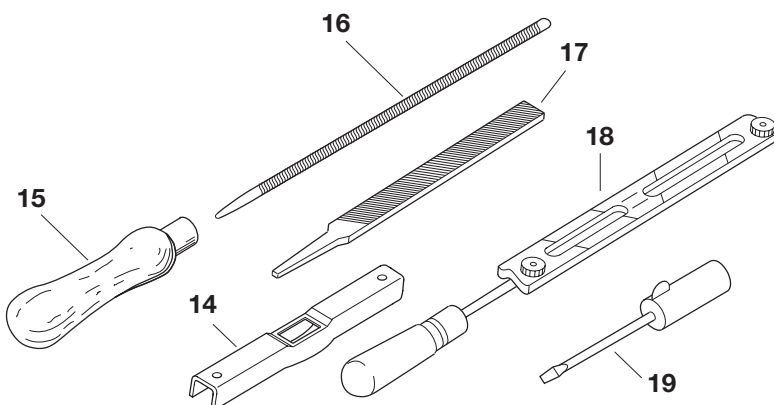
N'utilisez que des pièces de rechange d'origine DOLMAR. Pour les réparations et la rechange pour d'autres pièces, votre atelier spécialisé DOLMAR est compétent.

PS-34

DOLMAR



Pos.	N°DOLMAR	pcs.	Désignation
1	412 035 661	1	Guide à étoile 14" (35 cm)
2	528 092 052	1	Chaîne de sciage 3/8", 14"
1	412 040 661	1	Guide à étoile 16" (40 cm)
2	528 092 056	1	Chaîne de sciage 3/8", 16"
3	952 010 140	1	Protection chaîne, 14"-16"
4	036 213 151	1	Protection cpl. roue à chaîne
5	923 208 004	2	Ecrou hexag. M8
6	941 719 131	1	Clé combinée ouverture 19/13
7	963 601 380	1	Crépine d'aspiration
8	965 603 021	1	Bougie
9	036 173 011	1	Filtre à air
10	010 114 063	1	Carburant-/capuchon cpl. réservoir huile
11	036 174 200	1	Pare-étincelles cpl.
12	965 522 032	1	Joint



Accessoires (non compris dans la livraison)

14	953 100 090	1	Jauge de mesure des chaînes
15	953 004 010	1	Manche de lime
16	953 003 090	1	Lime ronde \varnothing 5/32" (4 mm)
17	953 003 060	1	Lime plate
18	953 030 010	1	Porte lime (avec lime ronde \varnothing 5/32")
19	944 340 001	1	Tournevis pour carburateur
-	980 008 107	1	L'huile moteur à deux temps (1 l)
-	980 008 106	1	L'huile moteur à deux temps (100 ml)
-	980 008 112	1	L'huile moteur à deux temps (1 l) Bouteille doseuse
-	980 008 210	1	L'huile de chaîne BIOTOP (1 l)
-	980 008 211	1	L'huile de chaîne BIOTOP (5 l)
-	980 008 213	1	L'huile de chaîne BIOTOP (20 l)
-	949 000 035	1	Nourrice combinée (pour 5 l carburant, 2,5 l huile)



DOLMAR POWER PRODUCTS
PO Box 5007
Alpharetta
GA 30005-5007

Free Manuals Download Website

<http://myh66.com>

<http://usermanuals.us>

<http://www.somanuals.com>

<http://www.4manuals.cc>

<http://www.manual-lib.com>

<http://www.404manual.com>

<http://www.luxmanual.com>

<http://aubethermostatmanual.com>

Golf course search by state

<http://golfingnear.com>

Email search by domain

<http://emailbydomain.com>

Auto manuals search

<http://auto.somanuals.com>

TV manuals search

<http://tv.somanuals.com>