

Instruction and Safety Manual for Gasoline Power Cuts (page 2 - 30)

Manuel d'instructions et de sécurité de découpeuse thermiques (page 32 - 60)

Manual de instrucciones y de seguridad para Cortadora de muela de tronzar (pagina 62 - 90)

WARNING!

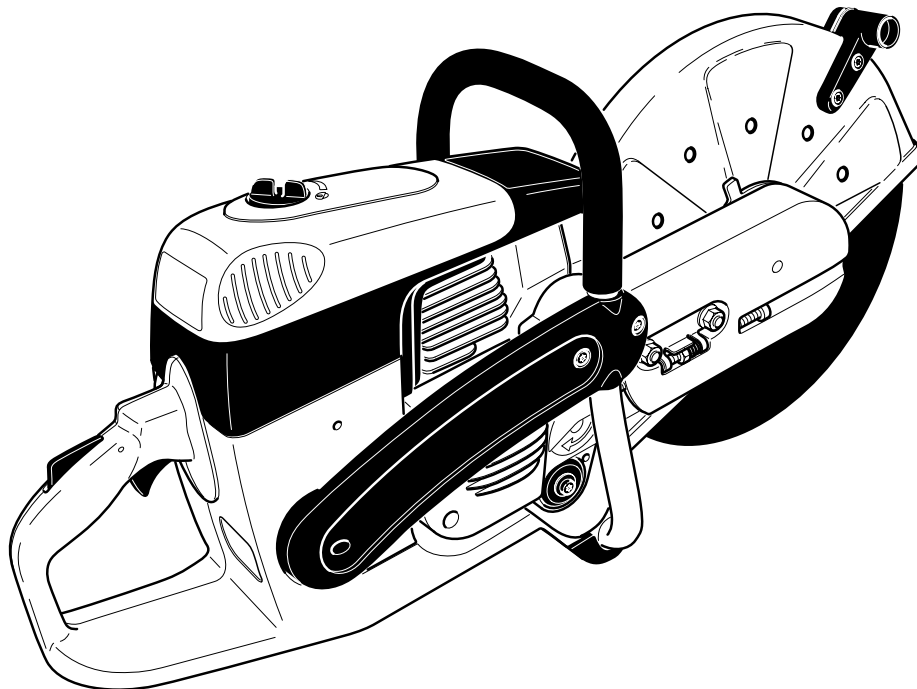
Read and understand this Manual. Always follow safety precautions in the Instruction and Safety Manual. Improper use can cause serious injury!
The engine exhaust from this product contains chemicals known to the State of California to cause cancer, birth defects or other reproductive harm. Preserve this Manual carefully!

ATTENTION!

Suivez toujours les conseils de sécurité du présent manuel d'instructions et de sécurité.
Une utilisation incorrecte de la découpeuse peut entraîner des blessures graves!
Conservez avec soin ce manuel! Les gaz d'échappement émis par ce produit contiennent des produits chimiques connus par l'Etat de Californie pour provoquer le cancer, des défauts de naissance ou autres dommages de reproduction. Lisez et comprenez ce manuel.

ADVERTENCIA:

Observe siempre las instrucciones de seguridad contenidas en el manual. Lea y compenétrese con el contenido del manual. El uso inadecuado de la cortadora puede causar lesiones de gravedad.
Los gases de escape del motor de este producto contienen sustancias químicas conocidas en el Estado de California como causantes de cáncer, defectos genéticos y otros problemas relacionados con la reproducción. Conserve este manual cuidadosamente



PC-6430, PC-6435
PC-7330, PC-7335

DOLMAR



EMISSIONS COMPONENT DEFECT WARRANTY COVERAGE

DOLMAR U.S.A, Inc warrant to the initial retail purchaser and each subsequent owner, that this utility equipment was designed, built, and equipped to conform at the time of initial sale to all applicable regulations of the U.S. Environmental Protection Agency (EPA), and that the engine is free of defects in materials and workmanship which would cause this engine to fail to conform with EPA regulations during its warranty period.

For the components listed under PARTS COVERED, the service dealer authorized by DOLMAR will, at no cost to you, make the necessary diagnosis, repair, or replacement necessary to ensure that the engine complies with applicable U.S. EPA regulations.

EMISSION COMPONENT DEFECT WARRANTY PERIOD

The warranty period for this engine begins on the date of sale to the initial purchaser and continues for a period of 2 years.

PARTS COVERED

Listed below are the parts covered by the Emission Components Defect Warranty. Some of the parts listed below may require scheduled maintenance and are warranted up to the first scheduled replacement point for that part.

Fuel Metering System

Carburetor and internal parts
Fuel filter, if applicable
Throttle stopper, if applicable
Choke System, if applicable

Ignition System

Spark plugs
Flywheel Magneto
Ignition Coil

Air Induction System

Air cleaner plate, Air filter
Air cleaner case, Intake manifold

Miscellaneous Items Used in Above Systems

Fuel hoses, clamps and sealing gaskets

OBTAINING WARRANTY SERVICE

To obtain warranty service, take your engine to the nearest DOLMAR Service Center authorized by DOLMAR. Bring your sales receipts indicating date of purchase for this engine. The dealer of service authorized by DOLMAR will perform the necessary repairs or adjustments within a reasonable amount of time and furnish you with a copy of the repair order. All parts and accessories replaced under this warranty become the property of DOLMAR.

WHAT IS NOT COVERED

- Conditions resulting from tampering, misuse, improper adjustment (unless they were made by the service dealer authorized by DOLMAR during a warranty repair), alteration, accident, failure to use the recommended fuel and oil, or not performing required maintenance services.
- The replacement parts used for required maintenance services.
- Consequential damages such as loss of time, inconvenience, loss of use of the engine or equipment, etc.
- Diagnosis and inspection charges that do not result in warranty-eligible service being performed.
- Any non-authorized replacement part, or malfunction of authorized parts due to use of non-authorized parts.

OWNER'S WARRANTY RESPONSIBILITIES

As the engine owner, you are responsible for the performance of the required maintenance listed in your owner's manual. DOLMAR recommends that you retain all receipts covering maintenance on your engine, but DOLMAR cannot deny warranty solely for the lack of receipts or for your failure to ensure the performance of all scheduled maintenance. As the engine owner, you should however be aware that DOLMAR may deny warranty coverage if your engine or a part has failed due to abuse, neglect, improper maintenance or unapproved modifications.

You are responsible for presenting your engine to the nearest service dealer authorized by DOLMAR when a problem exists.

If you have any questions regarding your warranty rights and responsibilities, you should contact the DOLMAR Warranty service Department at 1-888-OPE-PART for the information.

THINGS YOU SHOULD KNOW ABOUT THE EMISSION CONTROL SYSTEM WARRANTY:

MAINTENANCE AND REPAIRS

You are responsible for the proper maintenance of the engine. You should keep all receipts and maintenance records covering the performance of regular maintenance in the event questions arise. These receipts and maintenance records should be transferred to each subsequent owner of the engine. DOLMAR reserves the right to deny warranty coverage if the engine has not been properly maintained. Warranty claims will not be denied, however, solely because of the lack of required maintenance or failure to keep maintenance records.

MAINTENANCE, REPLACEMENT OR REPAIR OF EMISSION CONTROL DEVICES AND SYSTEMS MAY BE PERFORMED BY ANY REPAIR ESTABLISHMENT OR INDIVIDUAL; HOWEVER, WARRANTY REPAIRS MUST BE PERFORMED BY A SERVICE DEALER AUTHORIZED BY DOLMAR. THE USE OF PARTS THAT ARE NOT EQUIVALENT IN PERFORMANCE AND DURABILITY TO AUTHORIZED PARTS MAY IMPAIR THE EFFECTIVENESS OF THE EMISSION CONTROL SYSTEM AND MAY HAVE A BEARING ON THE OUTCOME OF A WARRANTY CLAIM.

If other than the parts authorized by DOLMAR are used for maintenance replacements or for the repair of components affecting emission control, you should assure yourself that such parts are warranted by their manufacturer to be equivalent to the parts authorized by DOLMAR in their performance and durability.

HOW TO MAKE A CLAIM

All repair qualifying under this limited warranty must be performed by a service dealer authorized by DOLMAR. In the event that any emission-related part is found to be defective during the warranty period, you shall notify DOLMAR Warranty service Department at 1-888-OPE-PART and you will be advised of the appropriate warranty service dealer or service providers where the warranty repair can be performed.

Thank you for purchasing a DOLMAR product!

Congratulations on choosing a DOLMAR Power Cut cutoff saw! We are confident that you will be satisfied with this modern piece of equipment. DOLMAR GmbH of Hamburg, Germany is the world's oldest manufacturer of gasoline-powered chainsaws - we got our start in 1927 - giving us very extensive experience with power hand tools. Like our chain saws, the DOLMAR Power Cuts feature specially designed high-performance engines with outstanding power-to-weight ratios, for heavy-duty yet lightweight tools.

Other advantages of the DOLMAR Power Cuts:

- Sturdy construction and high reliability.
- Maintenance-free electronic ignition, hermetically sealed to protect against dust and moisture.
- Vibration damping with the DOLMAR 2-mass system (D2M) for tireless working even when guiding the Power Cut by hand.
- Five-stage air-filter system for reliable working even under very dusty conditions.
- Two options for mounting the cutter attachment: Either centrally, for good balance when guiding the unit manually, or on the side, for flush cuts along walls or curbsides or horizontally directly above the ground.
- Extensive range of resin-bonded and diamond grit cutting discs, trolley with dust catcher, and systems for supplying water to the disc.

The following industrial property rights apply:

US 08510690, SE 95027298, SE 95027306, IT 95000653, IT 95000654, GBM 9412558, GBM 9412559.

We want you to be satisfied with your DOLMAR product.

In order to guarantee the optimal function and performance of your Power Cut and to ensure your personal safety we would request you to perform the following:

Read this Instruction and Safety Manual carefully before putting the Power Cut into operation for the first time, and strictly observe the safety regulations! Failure to observe these precautions can lead to severe injury or death!



WARNING!

Some dust created by power sanding sawing, grinding, drilling, and other construction activities contains chemicals known (to the State of California) to cause cancer, birth defects or other reproductive harm.

Some examples of these chemicals are:

- lead from lead-based paints,
- crystalline silica from bricks and cement and other masonry products, and
- arsenic and chromium from chemically-treated lumber.

Your risk from these exposures varies, depending on how often you do this type of work.

To reduce your exposure to these chemicals: work in a well ventilated area, and work with approved safety equipment, such as those dust masks that are specially designed to filter out microscopic particles.

The Emissions Compliance Period referred to on the emission Compliance label indicates the number of operating hours for which the engine has been shown to meet federal emissions requirements.

Category C= 50 hours, B= 125 hours, and A= 300 hours.

Table of contents Page

Packing	3
Delivery inventory	4
Symbols	4

SAFETY PRECAUTIONS

Intended use	5
General precautions	5
Protective equipment	5-6
Fuels / Refuelling	6
Putting into operation	6
Cutting discs	7
Kickback and lock-in	8
Working behavior / Method of working	8
Cutting metal	9
Cutting masonry and concrete	9-10
Transport and storage	10
Maintenance	11
First aid	11

Technical data

Denomination of components

PUTTING INTO OPERATION

Mounting the cutting disc	13
Tightening the V-belt / Checking V-belt tension	14
Installing the pressure water system	14-15
Fuels / Refuelling	15-16
Starting the engine	17
Cold-starting	17
Warm-starting	18
Stop engine	18

Adjusting the carburetor

MAINTENANCE

Changing the V-belt	20
Cleaning the protection hood	21
Cleaning / changing the air filter	21-22
Replacing the spark plug	22
Replacing the suction head	23
Replacing the starter cable	23-24
Replacing the return spring	24
Instructions for periodic maintenance	28

Cutting attachment in central / side position

Repositioning the cutting attachment	25-26
Replacing/cleaning the spark arrester screen	26

SPECIAL ACCESSORIES

Diamond cutting discs, trolley, water tank and pressure water system	27
--	----

Service, spare parts and guarantee

Troubleshooting

Extract from spare parts list

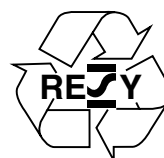
Accessories	30
-------------------	----

Service stations

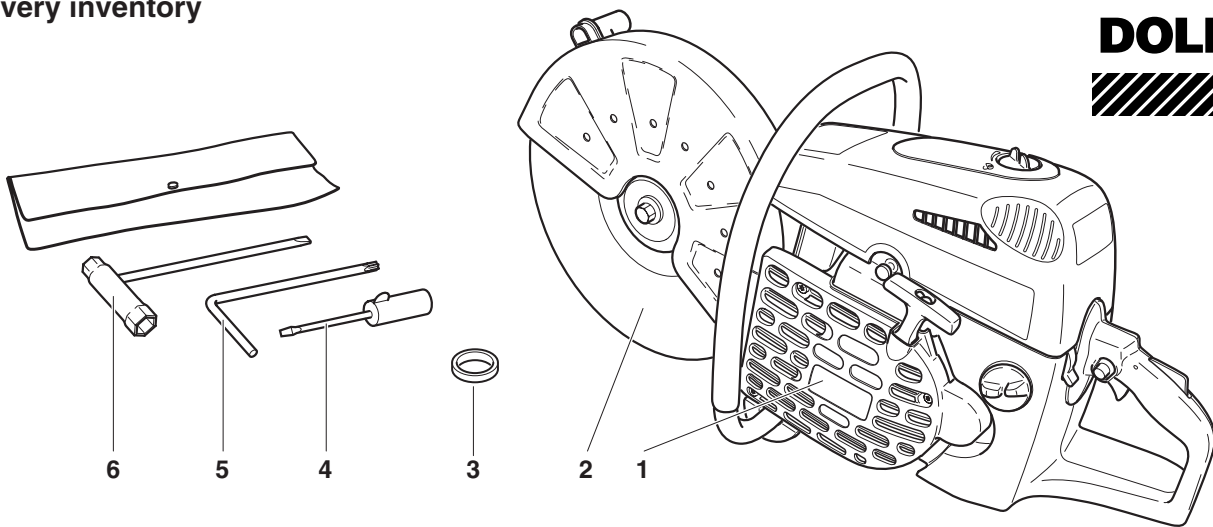
Packing

Your DOLMAR Power Cut is packed in a cardboard box to prevent shipping damage.

Cardboard is a basic raw material and is consequently reusable or suitable for recycling (waste paper recycling).



Delivery inventory



1. Power Cut
2. Cutting disc
3. Adapter ring 0.8"/1.0" (not in the general scope of delivery. Country-specific)
4. Screwdriver (for carburetor adjustment)
5. Offset screwdriver
6. Universal wrench 13/19
7. Instruction manual (not shown)

In case one of the parts listed should not be included in the delivery inventory, please consult your sales agent.

Symbols

You will notice the following symbols on the Power Cut and in the Instruction Manual:

	Read instruction manual and follow the warning- and safety precautions!		Combination Start/Stop (I/O) switch, choke
	Particular care and caution!		Locked
	Forbidden!		Unlocked
	Wear protective helmet, eye and ear protection!		Press decompression valve
	Wear protective gloves!		Engine - manual start
	Wear respiratory protection!		Working in winter
	No smoking!		Stop engine!
	No open fire!		Warning! Kickback!
	Direction of cutting wheel rotation		Fuel and oil mixture
	Warning: the max. peripheral speed of the cutting disc is 80 m/s!		First aid
	Cutting disc dimensions		Recycling
	Never use circular saw blades!		

SAFETY PRECAUTIONS

Intended use

Power Cut

Use the Power Cut cutoff saw outdoors only, for trimming and cutting suitable materials, using cutting discs rated for this machine.

Improper use:

Never use the cutoff saw cutting discs for grinding or sanding (using the side of the cutting disc to remove material). The disc can break! Never use the Power Cut with saw blades, cutter blades, brushes etc.

Unauthorised users:

Persons unfamiliar with the Instruction Manual, children, young people, and persons under the influence of alcohol, drugs or medications must not use the Power Cut.

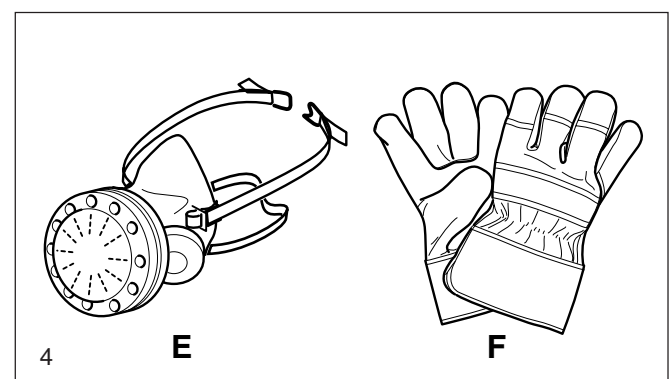
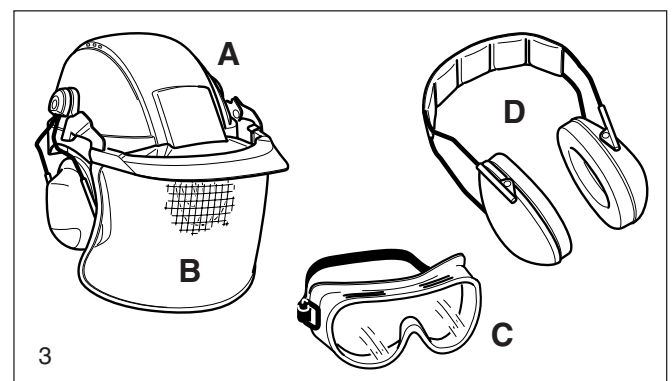
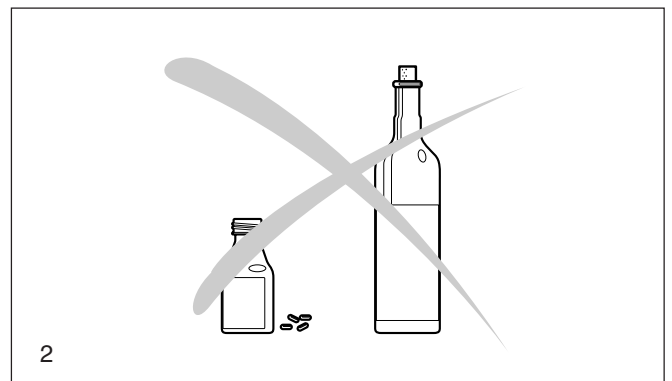
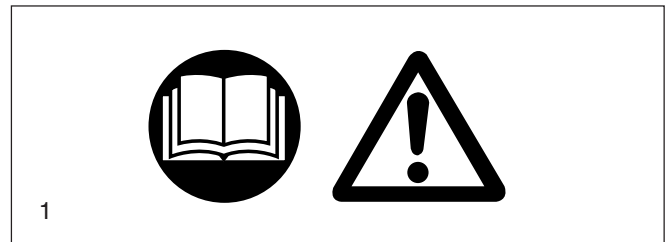
General precautions

- **The operator MUST read this instruction manual to ensure safe operation (even if you already have experience in using cutoff saws).** It is important to be familiar with the operation of this particular cutoff saw. Users insufficiently informed will endanger themselves as well as others due to improper handling.
- Let only persons who have experience in using cutoff saws work with this unit. When letting another person use the Power Cut, this instruction manual must be provided along with it.
- First-time operators should ask a specialist to instruct them in working with gasoline-powered cutoff saws.
- Children and persons under 18 years of age must not be allowed to use this Power Cut. Persons over the age of 16 years may, however, use the Power Cut for the purpose of being trained as long as they are under the supervision of a qualified trainer.
- Working with the Power Cut requires high concentration.
- Operate the Power Cut only if you are in good physical condition. If you are tired, your attention will be reduced. Be especially careful at the end of a working day. Perform all work calmly and carefully. The user has to accept liability for others.
- Never work while under the influence of alcohol, drugs, medication or other substances which may impair vision, dexterity or judgement.
- A fire extinguisher must be available in the immediate vicinity when working in easily inflammable vegetation or when it has not rained for a long time (danger of fire).
- Asbestos and other materials that can release toxins may be cut only with the necessary safety precautions and after notification of the proper authorities and under their supervision or that of a person appointed by them.
- The use of dust-reduction devices is urgently recommended (see Accessories, pressure water tank, water tank).

Protective equipment

- **In order to avoid head, eye, hand or foot injuries as well as to protect your hearing the following protective equipment must be used during operation of the Power Cut:**
- The kind of clothing should be appropriate, i. e. it should be tight-fitting but not be a hindrance. Clothing in which grains of material can accumulate (trousers with cuffs, jackets and trousers with wide-open pockets, etc.) must not be worn, particularly when cutting metal.
- Do not wear any jewellery or clothing that can get caught or distract from the operation of the Power Cut.
- It is necessary to wear a protective helmet whenever working with the Power Cut. The **protective helmet (A)** is to be checked in regular intervals for damage and is to be replaced after 5 years at the latest. Use only approved protective helmets.

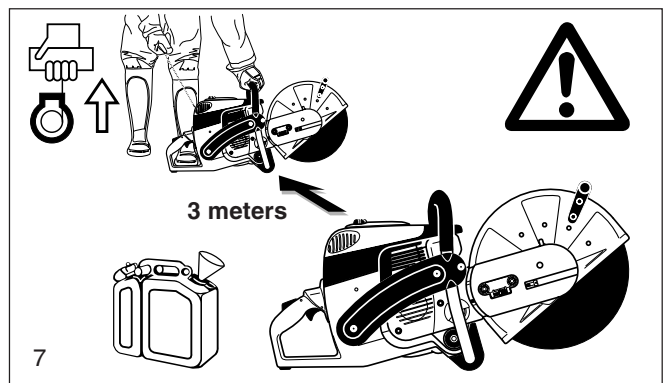
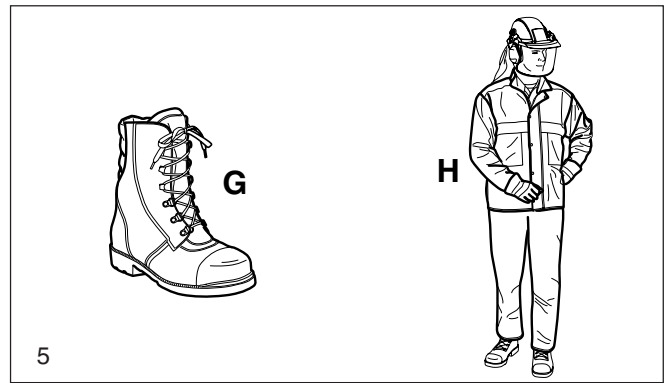
- The helmet **visor (B)** protects the face from dust and material grains. In order to prevent injuries to eyes and face, always wear **protective goggles (C)** or visor when using the Power Cut.
- To prevent hearing damage, always wear suitable personal **hearing protection**. (ear muffs (D), ear plugs, etc.). Octave band analysis upon request.
- When dry-cutting dust-producing materials such as stone or concrete, always wear approved **respiratory protection (E)**.
- **Work gloves (F)** of tough leather are part of the required work kit of the Power Cut and must always be worn when working with the Power Cut.



- Always wear **safety shoes or boots** (G) with steel toes, non-skid soles, and leg protectors when working with the Power Cut. Safety shoes equipped with a protective layer provide protection against cuts and ensure a secure footing.
- Always wear a **work suit** (H) of tough material with sufficient flame-retardant qualities whenever working with the cutoff saw.

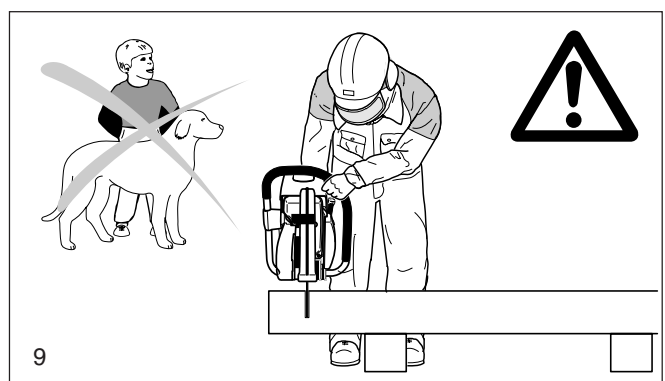
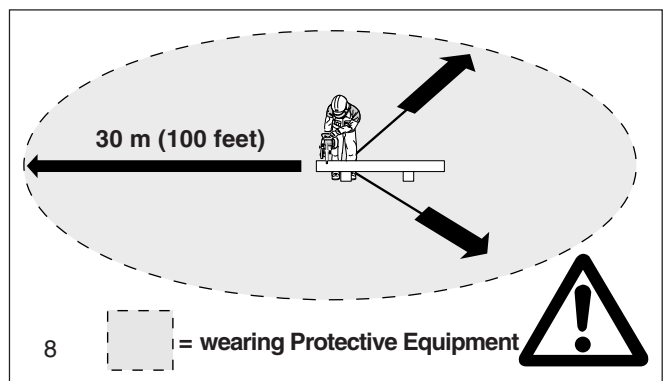
Fuels / Refuelling

- Go to a safe, level place before refuelling. **Never refuel while on scaffolding, on heaps of material, or in similar places!**
- Switch off the engine before refuelling the Power Cut.
- Do not smoke or work near open fires (6).
- Let the engine cool down before refuelling.
- Fuels can contain substances similar to solvents. Eyes and skin should not come in contact with mineral oil products. Always wear protective gloves when refuelling (not the regular work gloves!). Frequently clean and change protective clothes. Do not breathe in fuel vapors. Inhalation of fuel vapours can be hazardous to your health.
- Do not spill fuel. If a spill occurs, clean off the Power Cut immediately. Fuel should not come in contact with clothes. If your clothes have come in contact with fuel, change them at once.
- Ensure that no fuel oozes into the soil (environmental protection). Use an appropriate base.
- Refuelling is not allowed in closed rooms. Fuel vapors will accumulate near the floor (explosion hazard).
- Ensure to firmly tighten the screw cap of the fuel tank.
- Before starting the engine, move to a location at least 3 meters (approx. 10 feet) from where you fuelled the Power Cut (7), but not within the extended swing range of the cutting disc (direction of sparks).
- Fuel cannot be stored for an unlimited period of time. Buy only as much as will be consumed in the near future.
- When making up the gasoline/oil mixture, always put the oil in the mixing container first, and then the gasoline.
- Use only approved and marked containers for the transport and storage of fuel.
- **Keep fuel away from children!**



Putting into operation

- **Do not work on your own. There must be someone around in case of an emergency (within shouting distance).**
- Observe all anti-noise regulations when working in residential areas.
- **Never use the Power Cut near inflammable materials or explosive gases! The Power Cut can create sparks leading to fire or explosion!**
- Make sure that all persons within 30 meters (100 feet), such as other workers, are wearing protective gear (see "Protective Equipment") (8). Children and other unauthorized persons must remain more than 30 meters (100 feet) away from the working area. Keep an eye out for animals as well (9).
- **Before starting work the Power Cut must be checked for perfect function and operating safety according to the prescriptions.** In particular, make sure that the cutting wheel is in good condition (replace immediately if torn, damaged or bent), the cutting wheel is properly mounted, the protective hood is locked in place, the hand guard is properly mounted, the V-belt has the proper tension, the throttle moves easily and the half-throttle lock button functions properly, the grips are clean and dry, and the combination switch functions properly (Start/Stop (I/O) switch, choke).
- Start the Power Cut only after complete assembly and inspection. Never use the Power Cut when it is not completely assembled.



Cutoff discs

- **The protection hood must always be on! Change discs only with the engine off!**
- There are two basic types of cutoff discs:
 - For metal (hot cutting)
 - For masonry (cold cutting)

NOTE:

When using diamond cutoff discs, always make sure to observe the "direction of rotation" markings. Diamond discs should only be used for cutting masonry/brick/ concrete etc.

- Cutoff discs are intended only for radial loading, i.e. for cutting. Do not grind with the sides of the cutting disc! This will break the disc (10)!

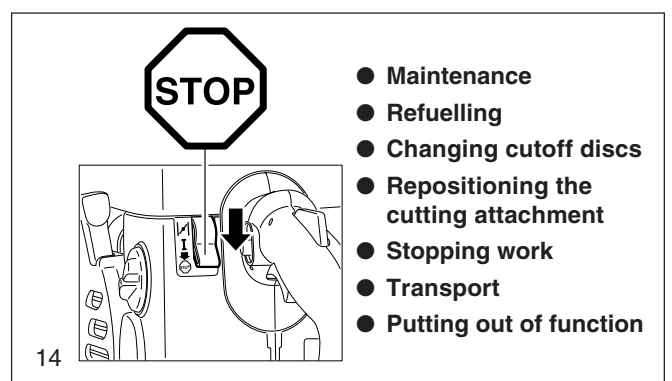
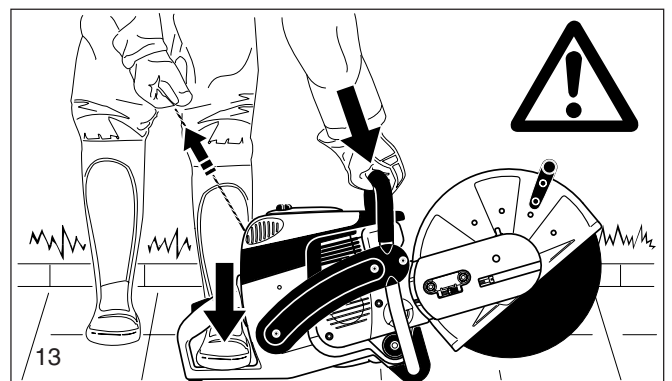
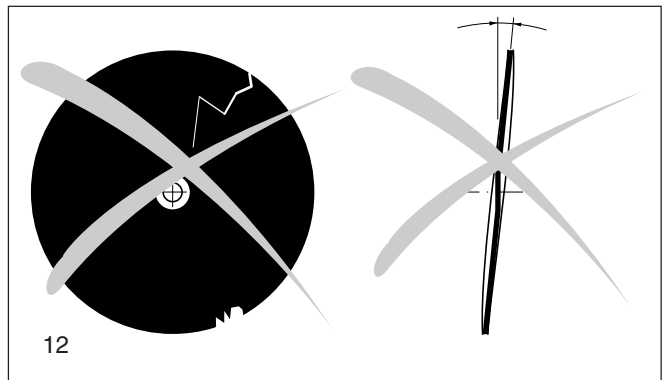
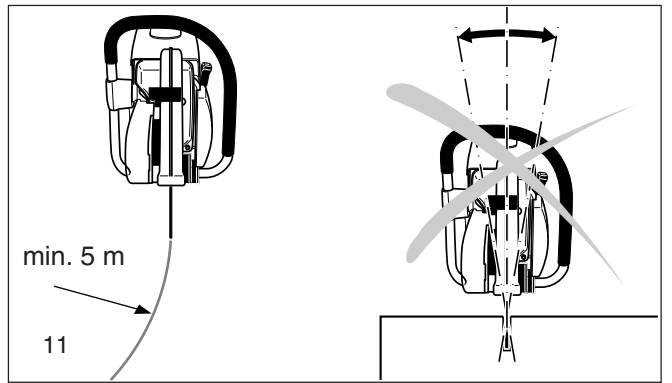
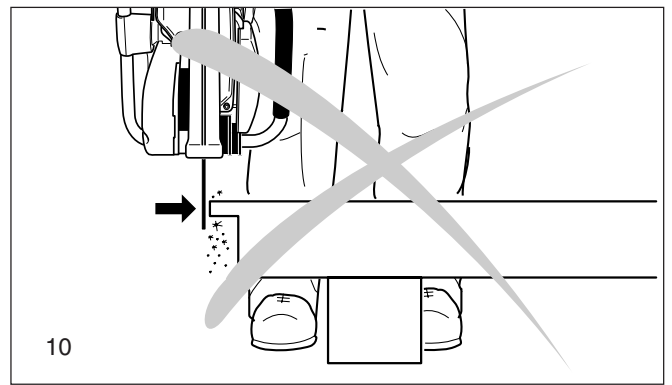
Caution!

Never change direction (turning radius less than 5 meters / 16 feet), exert lateral (sideways) pressure, or tip the Power Cut during cutting (11)!

- Use a cutting disc only for cutting the materials it is intended for. The proper type of disc must be used, for either metals or masonry.
- The arbor hole of the cutting disc must be an exact fit with the arbor or shaft. If the arbor hole is larger, it must be fitted with an adapter ring (available as an accessory).
- The cutting disc must be rated for freehand cutting at up to 4370 rpm or 80 m/sec for 350 mm discs or up to 5100 rpm or 80 m/s for 300 mm discs. Use only cutting discs that comply with EN 12413, EN 13236 or der BGV D 12.
- The disc must be free of defects (12). Do not use defective cutting discs.

Always tighten the cutting disc mounting bolt to a torque of 30 Nm. Otherwise, the cutting disc can twist.

- Before starting the cutting disc, make sure you have a steady footing.
- Put the Power Cut into operation only as described in this instruction manual (13). Always place your left foot in the rear handle and grasp the other handle firmly (with thumb and fingers). Other starting methods are not allowed.
- When starting the Power Cut it must be well supported and securely held. The cutting disc must not be touching anything.
- If the cutting disc is new, test it by running it at least 60 seconds at top speed. When doing this, make sure that no persons or body parts are in the extended swing range of the disc, in case it is defective and flies apart.
- **When working with the Power Cut always hold it with both hands.** Take the back handle with the right hand and the tubular handle with the left hand. Hold the handles tightly with your thumbs facing your fingers.
- **CAUTION: When you release the throttle lever the disc will keep spinning for a short period of time** (free-wheeling effect).
- Continuously ensure that you have a safe footing.
- Hold the Power Cut such that you will not breathe in the exhaust gas. Do not work in closed rooms or in deep holes or ditches (danger of poisoning by fumes).
- **Switch off the Power Cut immediately if you observe any changes in its operating behavior.**
- **Switch off the engine before inspecting the V-belt tension or tightening it, replacing the cutting wheel, repositioning the cutter attachment (side or middle position) or eliminating faults (14).**
- Turn off the engine immediately and check the disc if you hear or feel any change in cutting behaviour.
- Turn off the Power Cut when taking a break or stopping work (14). Place the unit in such a way that the disc is not touching anything and cannot endanger anyone.
- Do not put the overheated Power Cut in dry grass or on any inflammable objects. The muffler is very hot (danger of fire).
- **IMPORTANT:** After wet cutting, first turn off the water feed and then let the disc run at least 30 seconds, to fling off the remaining water and prevent corrosion.



Kickback and lock-in

- When working with the Power Cut there is a danger of kickback and lock-in.
- Kickback occurs when the top of the cutting disc is used for cutting (15).

This causes the Power Cut to be thrown back toward the user with great force and out of control. **Risk of injury!**

To prevent kickback, observe the following:

- Never cut with the section of the cutting disc shown in figure 15. **Be especially careful when reinserting the disc into cuts that have already been started!**

Lock-in occurs when the cut narrows (crack, or workpiece under stress).

This causes the Power Cut to suddenly jump forward, out of control and with great force. **Risk of injury!**

To prevent lock-in, observe the following:

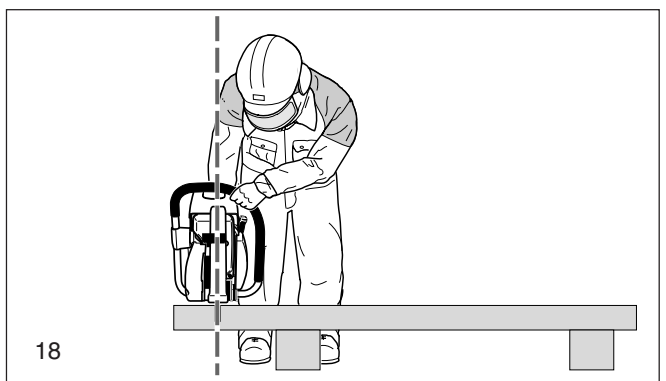
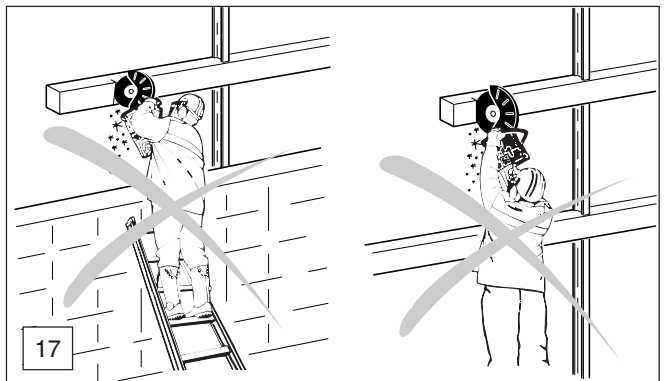
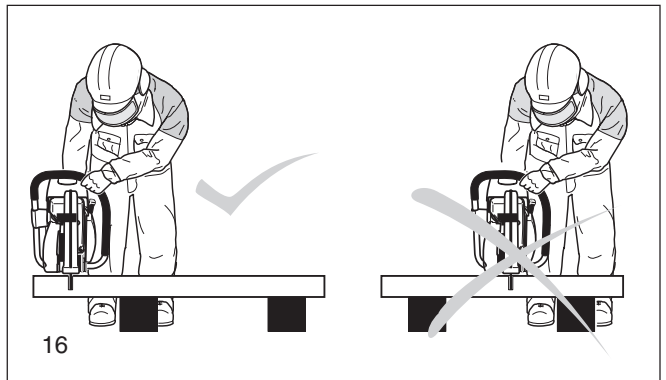
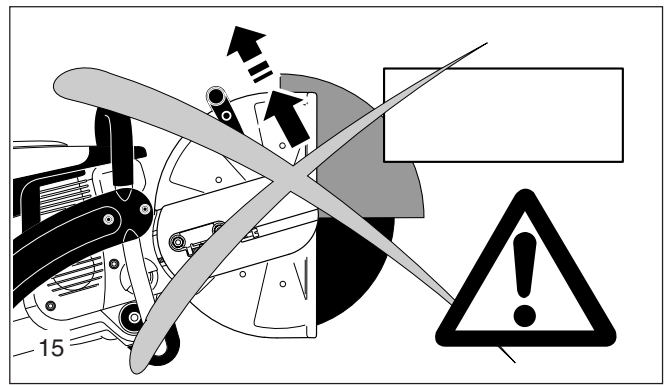
- When reinserting the disc into previous cuts, have the Power Cut running at top speed. Always cut at top speed.
- Always support the workpiece so that the cut is under tension (16), so that the cut does not press together and jam the cutting disc as it proceeds through the material.
- When starting a cut, apply the disc to the workpiece with care. Do not just shove it into the material.
- Never cut more than one piece at a time! When cutting, make sure that no other workpiece comes into contact.

Working behavior / Method of working

- Before starting work, check the work area for any hazards (electrical wires, inflammable substances). Clearly mark the work area (for example with warning signs or by cordoning off the area).
- When working with the Power Cut hold it firmly by the front and rear handles. Never leave the Power Cut unattended!
- Use the Power Cut at high speed as far as possible (see "Technical Data").
- Only use the Power Cut during good light and visibility periods. Be aware of slippery or wet areas, and of ice and snow (risk of slipping).
- Never work on unstable surfaces. Make sure that there are no obstacles in the working area, risk of stumbling. Always ensure that you have a safe footing.
- Never cut above your shoulder height (17).
- Never stand on a ladder to cut (17).
- Never use the Power Cut while standing on scaffolding.
- Do not lean over too far when working. When putting down and picking up the Power Cut, do not bend over from the waist, but instead bend in the knees. Save your back!
- Guide the Power Cut in such a way that no part of your body is within the extended swing range of the disc (18).
- Use cutting discs only for the materials for which they are designed!
- Use cutting discs only for the materials for which they are designed. Do not use the Power Cut to lift up and shovel away pieces of material and other objects.

Important! Before cutting, remove all foreign objects, such as rocks, gravel, nails etc. from the cutting area. Otherwise, such objects can be flung away by the disc with great speed. **Injury hazard!**

- When cutting workpieces down to length use a firm support. If necessary, secure the workpiece from slipping, but do not steady it with your foot or allow another person to hold it.
- When cutting round items, always secure them against rotation.
- When guiding the Power Cut by hand, use the side mounting position of the cutter attachment only when actually necessary. Otherwise, always use the central position. This gives the unit a better balance, for reduced operator fatigue.



Cutting metals

IMPORTANT!

Always wear approved respiratory protection!

Materials that can release toxic substances may be cut only after notifying the proper authorities and under their supervision or that of a person appointed by them.

CAUTION!

The rapid rotation of the cutting disc heats metal and melts it at the point of contact. Swing the guard as far down as possible (19) in order to direct the stream of sparks forward, away from the operator (fire hazard).

- Determine the cut line, mark the cut and apply the disc to the material at moderate speed, to cut a guide groove before going to top speed and applying more pressure to the Power Cut.
- Keep the disc straight and vertical. Do not tip it, as this can break it.
- The best way to get a good, clean cut is to pull or move the Power Cut back and forth. Do not simply press the disc into the material.
- Thick round stock is best cut in stages (20).
- Thin tubing and pipes can be cut with a simple downward cut.
- Cut large-diameter pipes as for round stock. To prevent tipping and for better control, do not let the disc sink too deeply into the material. Instead, always cut shallow around the whole piece.
- Worn discs have a smaller diameter than new discs, so that at the same engine speed they have a lower effective circumferential speed and therefore do not cut as well.
- Cut I-beams and L-bars in steps; see Figure 21.
- Cut bands and plates like pipes: along the wide side with a long cut.
- When cutting material under stress (supported material or material in structures), always make a notch in the thrust (pressure) side, and then cut from the tension side, so that the disc does not lock in. **Secure cutoff material from falling!**

CAUTION!

If there is a chance that the material is under stress, be prepared for it to kick back. Make sure you can get out of the way if you have to!

Be particularly careful in scrap-metal yards, junkyards, at accident sites, and with haphazard piles of material. Precariously balanced pieces or pieces under stress can act in unpredictable ways, and may slide, jump out, or burst. Secure cutoff material from falling! Always exercise extreme caution and use only equipment that is in perfect working order.

Observe the accident-prevention rules and regulations of your employer and/or insurance organization.

Cutting masonry and concrete

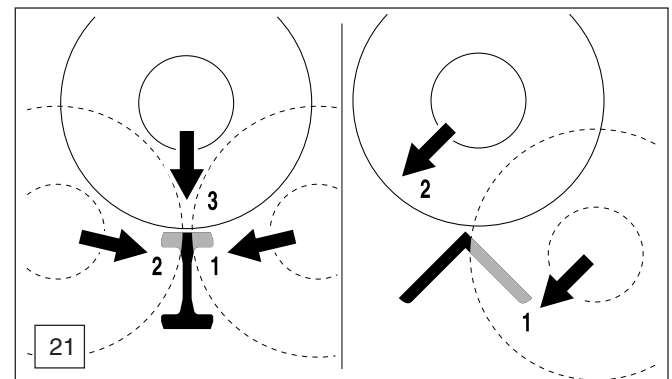
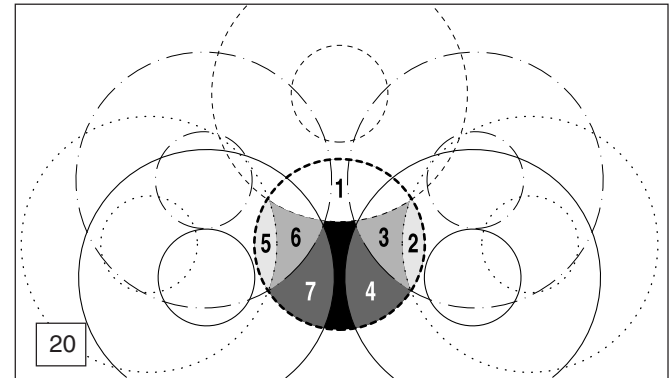
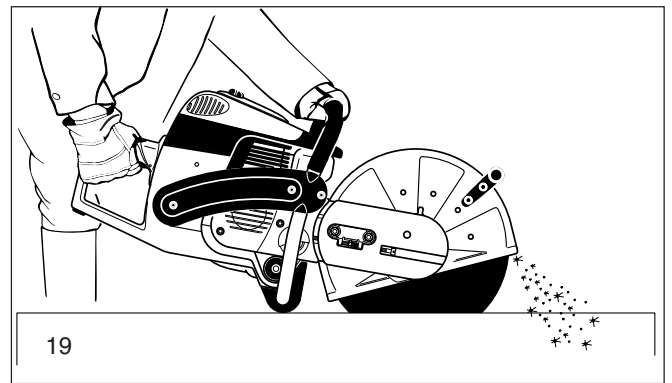
IMPORTANT!

Always wear approved respiratory protection!

Asbestos and other materials that can release toxic substances may be cut only after notifying the proper authorities and under their supervision or that of a person appointed by them. When cutting prestressed and reinforced concrete piles, follow the instructions and standards of the responsible authorities or the builder of the structural member. Reinforcement rods must be cut in the prescribed sequence and in accordance with applicable safety regulations.

NOTE:

Mortar, stone, and concrete develop large quantities of dust during cutting. To increase the lifetime of the cutting disc (by cooling), to improve visibility, and to avoid excessive dust creation, we strongly recommend wet cutting instead of dry cutting.



In wet cutting, the disc is wetted at an equal rate on both sides by a trickle of water. DOLMAR offers the right accessories for all wet cutting applications (see also "SPECIAL ACCESSORIES").

- Remove foreign objects such as sand, stones and nails found within the working area. **Caution: Watch out for electric wires and cables!**

The rapid rotation of the cutting disc at the point of contact throws fragments out of the cut groove at high speed. For your safety, swing the protection hood down as far as possible (23), so that material fragments are thrown forward, away from the operator.

- Mark the cut, and then make a groove about 5 mm (just under 1/5") along the entire length of the planned cut. This groove will then guide the Power Cut accurately during the actual cutoff.

NOTE:

For long, straight cuts we recommend using a trolley (24, see also "SPECIAL ACCESSORIES"). This makes it much easier to guide the unit straight.

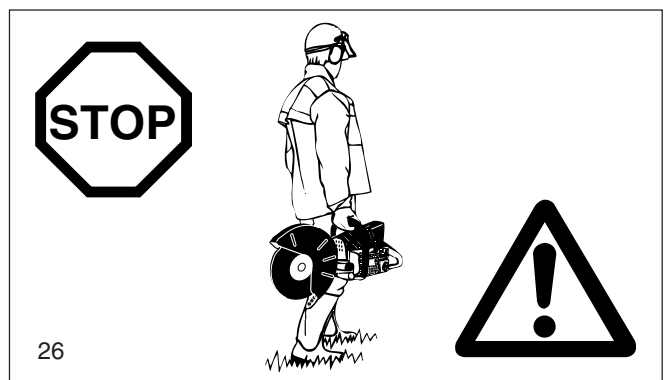
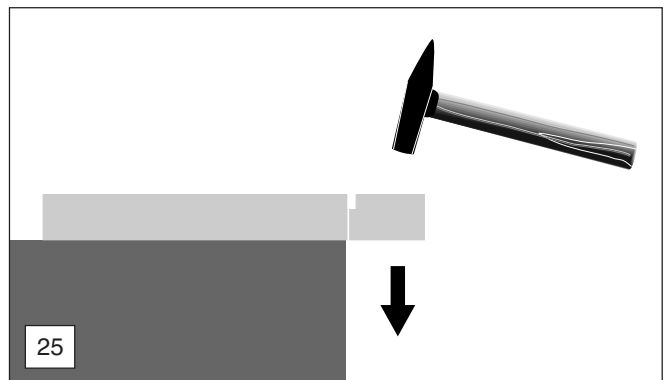
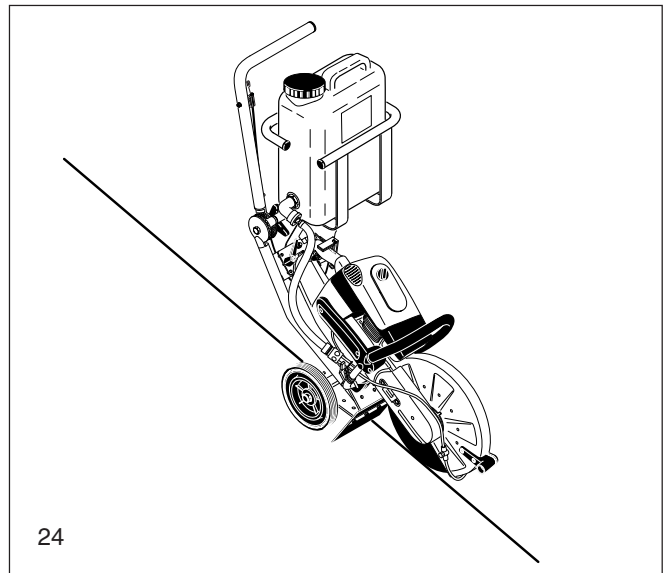
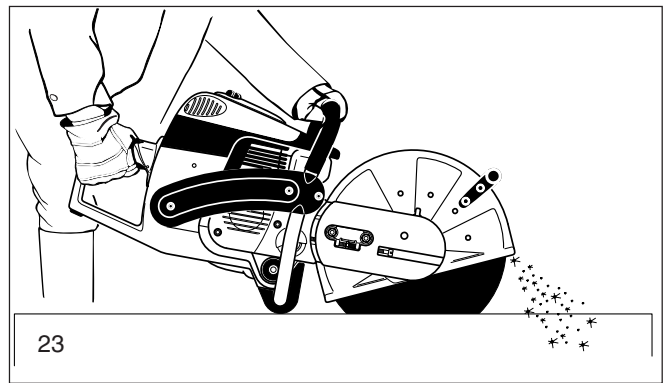
- Perform the cut with a steady back-and-forth motion.
- When cutting slabs to size, you need not cut through the entire material thickness (creating unnecessary dust). Instead, simply make a shallow groove, and then knock off the excess material cleanly on a flat surface (25).

CAREFUL!

When cutting into lengths, cutting through material, making cutouts, etc., always make sure to plan the direction and sequence of cuts in such a way that the disc does not get jammed by the cut-off piece, and that no persons can be injured by falling pieces.

Transport and storage

- **Always turn off the Power Cut when transporting it or moving it from place to place on a site (26).**
- **Never carry or move the unit with the engine on or the disc moving!**
- Carry the unit only by the tubular (middle) handle with the cutting disc pointing behind you (26). Avoid touching the exhaust muffler (burn hazard!)
- When moving the Power Cut over longer distances, use a wheelbarrow or wagon.
- When transporting the Power Cut in a vehicle, make sure it is securely positioned in such a way that no fuel can leak out. Always remove the cutting disc before transporting the unit in a vehicle.
- The Power Cut should be stored safely in a dry place. It must not be left outdoors! Always dismount the cutting disc before storage. Keep the Power Cut away from children.
- **Before long-term storage and before shipping the Power Cut, follow the instructions in the chapter on "Periodic care and maintenance". ALWAYS empty the fuel tank and run the carburetor dry.**
- When putting cutting discs in storage, be careful to:
 - Clean and dry them well.
 - Store them lying down flat.
 - Avoid dampness, freezing temperatures, direct sunshine, high temperatures and temperature fluctuations, as these can cause breakage and splintering.
- **Always check new cutting discs or cutting discs that have been in storage to make sure that they are free of defects and before the first cut test-run the tool at top speed for at least 60 seconds. Keep body parts and people well away out of range of the direction of the cutting disc during this test.**



Maintenance

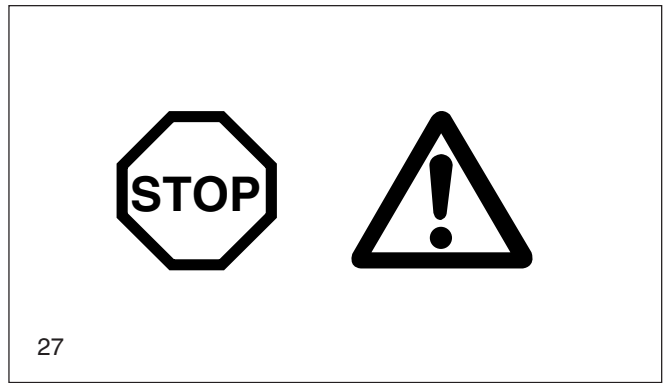
- **Before performing maintenance work switch off the Power Cut (27) and pull out the plug cap.**
- Always check the Power Cut before using it to make sure that it is in good working order. In particular, make sure that the cutting disc is properly mounted. Make sure that the cutting wheel is undamaged and suitable for the job it will be used for.
- Operate the Power Cut only at a low noise and emission level. For this ensure the carburetor is adjusted correctly.
- Clean the Power Cut regularly.
- Check the fuel tank cap regularly for good sealing.

Observe the accident prevention instructions issued by trade associations and insurance companies. NEVER make any modifications to the Power Cut! You will only be putting your own safety at risk!

Perform only the maintenance and repair works described in the instruction manual. All other work must be carried out by DOLMAR Service.

Use only original DOLMAR spares and accessories.

The use of non-DOLMAR spares, accessories, or cutting discs increases the risk of accident. We cannot accept any responsibility for accidents or damage occurring in association with the use of cutting discs or accessories other than original DOLMAR.

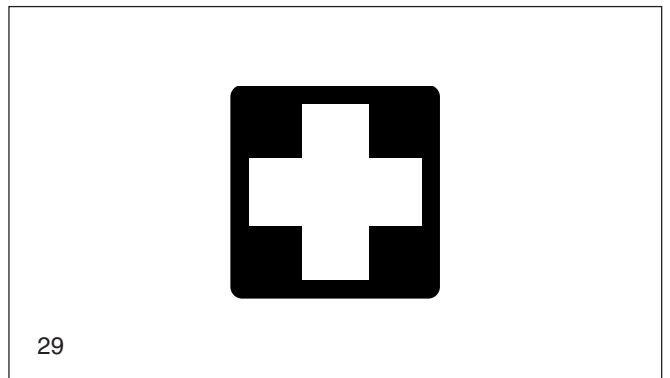


First aid

For the event of a possible accident, please make sure that a first aid kit is always immediately available close by. Immediately replace any items used from the first aid box.

When calling for help, give the following information:

- Place of the accident
- What happened
- Number of injured people
- Kind of injuries
- Your name!



NOTE

Individuals with poor circulation who are exposed to excessive vibration may experience injury to blood vessels or the nervous system.

Vibration may cause the following symptoms to occur in the fingers, hands or wrists: "Falling asleep" (numbness), tingling, pain, stabbing sensation, alteration of skin colour or of the skin.

If any of these symptoms occur, see a physician!

Technical data

		PC-6430	PC-6435	PC-7330	PC-7335
Displacement	cu in (cm ³)	3.9 (64)		4.5 (73)	
Bore	in (mm)	1.85 (47)		1.97 (50)	
Stroke	in (mm)	1.46 (37)		1.46 (37)	
Max. power	hp (kW)	4.4 (3.2)		5.6 (4.2)	
Max. torque	Nm	4.0		5.0	
Idling speed	1/min	2,500		2,500	
Clutch engagement speed	1/min	3,800		3,800	
Engine speed limitation	1/min	9,350		9,350	
Max. spindle speed	1/min	4,300		4,300	
Sound pressure level at the operators ear ¹⁾	dB (A)	97		104	
Sound pressure level at the bystander's position (50 ft) ¹⁾	dB (A)	84		86	
Vibration acceleration a _{h,w} per EN 1454					
- Tubular handle (idle/rated spindle speed)	m/s ²	6 / 5		7 / 6	
- Rear handle (idle/rated spindle speed)	m/s ²	8 / 6		8 / 7	
Carburetor (diaphragm carburetor)	Type	TILLOTSON HS-273 A			
Ignition system (with speed limitation)	Type	electronic			
Spark plug	Type	NGK BPMR 7A / BOSCH WSR 6F / CHAMPION RCJ 6Y			
Electrode gap	in (mm)	.020 (0.5)		.020 (0.5)	
Fuel consumption at max. load per ISO 8893	kg/h	1.65		2.1	
Specific consumption at max. load per ISO 8893	g/kWh	500		500	
Fuel tank capacity	fl oz (l)	37 (1.1)		37 (1.1)	
Mixture ratio (fuel/two-stroke oil)					
- when using DOLMAR HP 100 high-performance oil		100:1		100:1	
- when using DOLMAR oil		50:1		50:1	
Cutting disc for 80 m/sec. ²⁾	in	12" / 0.8" / 0.2" ³⁾	14" / 0.8" / 0.2" ³⁾	12" / 0.8" / 0.2" ³⁾	14" / 0.8" / 0.2" ³⁾
Cutting disc for 80 m/sec. ^{2) 4)}	in		14" / 1" / 0.2" ³⁾		14" / 1" / 0.2" ³⁾
Arbor diameter	in	0.8"	0.8" / 1.0"	0.8"	0.8" / 1.0"
V-belt (DOLMAR no.)		965 300 470		965 300 470	
Overall weight (tanks empty, without cutting disc)	lb	21.38	21.82	21.6	22.04

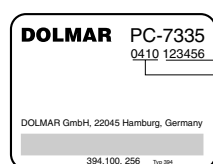
¹⁾ According to UL-test requirement under full load (cutting concrete).

²⁾ Circumference speed at max. engine speed

³⁾ Outside diameter / arbor hole / thickness

⁴⁾ Country-specific

Denomination of components



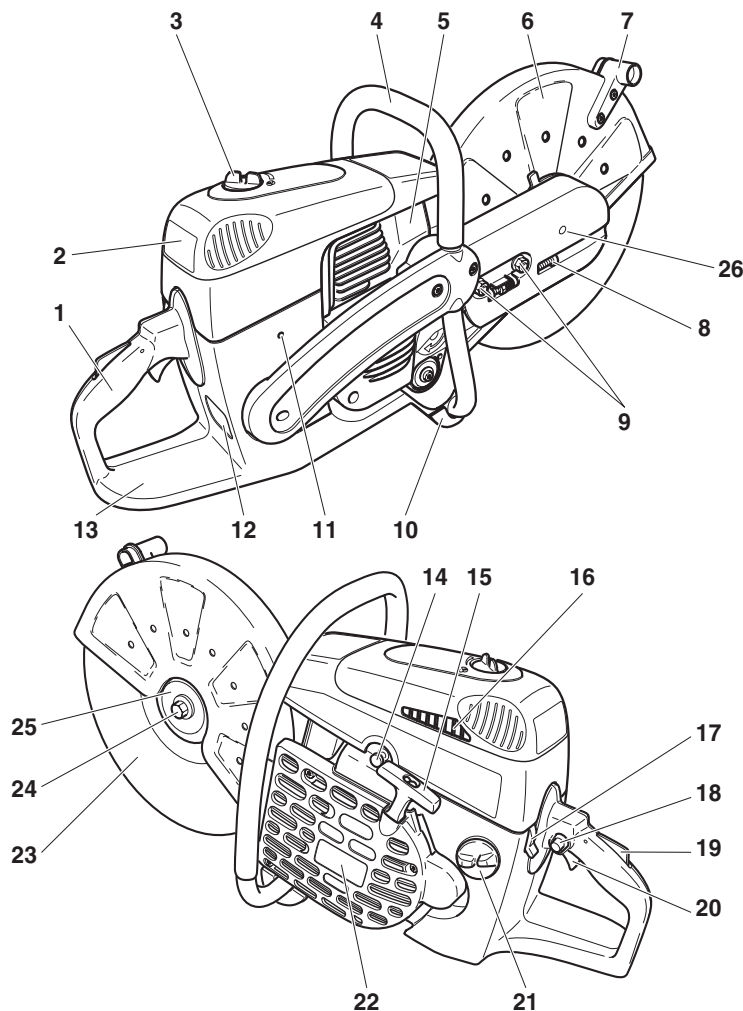
Identification plate (12)

Indicate when ordering spare parts

Serial number

Year of manufacture

- 1 Handle
- 2 Filter cover for air filter and spark plug cap
- 3 Cover lock
- 4 Tubular handle
- 5 Muffler
- 6 Protection hood
- 7 Grip
- 8 V-belt tension adjusting screw
- 9 Retaining nuts
- 10 Stand
- 11 Carburetor adjustment opening
- 12 Identification plate
- 13 Fuel tank with handle
- 14 Decompression valve
- 15 Starter grip
- 16 Air intake
- 17 Combination Start/Stop (I/O) switch, choke
- 18 Stop knob for halfway throttle
- 19 Safety locking button
- 20 Throttle lever
- 21 Tank cap (fuel)
- 22 Starter housing with starter
- 23 Cutting disc
- 24 Disc bolt
- 25 Spring washer
- 26 Hold opening



PUTTING INTO OPERATION



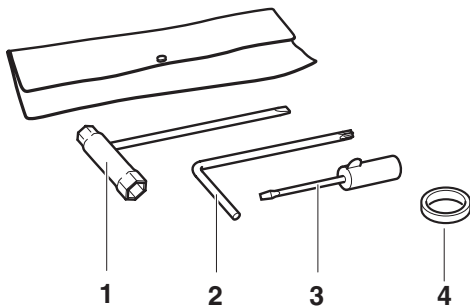
CAUTION:

Always turn off the engine and pull off the spark plug cap before doing any work on the Power Cut! Always wear protective gloves!

CAUTION:

Start the Power Cut only after complete assembly and inspection.

A

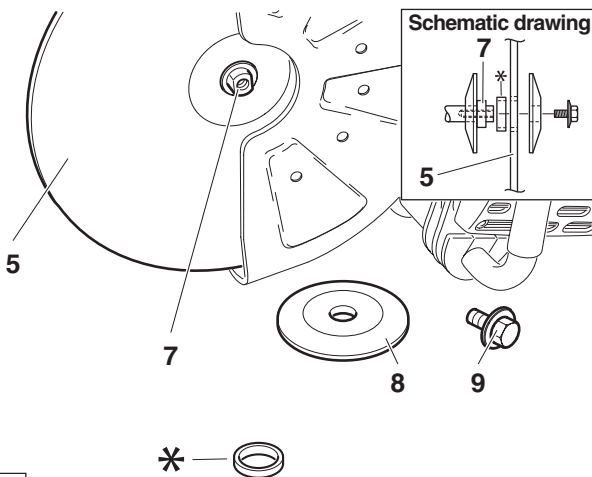


For the the following work, use the assembly tools included with delivery:

1. 13/19 AF combination wrench
2. Allen key
3. Carburetor adjustment screwdriver
4. Adapter ring (not in the general delivery inventory)

Place the Power Cut on a stable surface and carry out the following assembly steps:

B



Mounting the cutting disc

Inspect the disc for damage.
See **SAFETY INSTRUCTIONS, Page 7.**



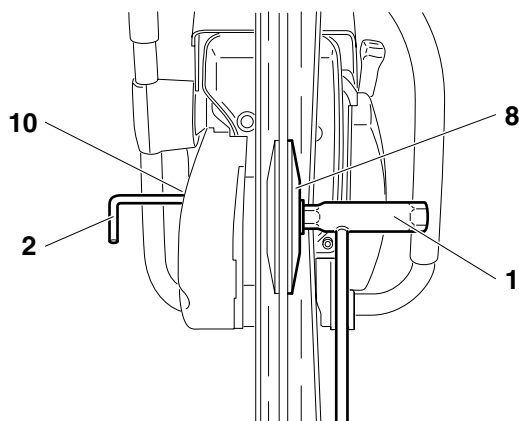
Unscrew screw (9) and remove the spring washer (8).
Place the cutting disc (5) on the arbour (7).

Hinweis: The arbor hole of the cutting disc must be an exact fit with the arbor or shaft. If the arbor hole is larger, it must be fitted with an adapter ring (*).



Make sure the cutting disc is installed so it turns in the right direction, if a direction is marked on the disc.

C



Place the spring washer (8) on the arbour and insert the screw (C/9) and tighten by hand.

Turn the disc slowly until the stop hole of the V-belt pulley is visible in the cutting arm cover (10).

Insert the Allen key (2) as far as it will go. The shaft is now blocked.

Tighten the screw with the combination wrench (1)

NOTE: Tighten the screw firmly (30 ± 2 Nm), as otherwise the cutting wheel may slip during cutting.

D

Tightening the V-belt / Checking V-belt tension



IMPORTANT:

Exact V-belt tension is essential for maximum cutting performance with minimum fuel consumption. Improper V-belt tension will result in premature wear to the V-belt and V-belt wheel or damage to the clutch bearing.

If the Power Cut is new or the V-belt has been replaced, retighten the V-belt after the first hour of operation!

E

NOTE: The two fastening nuts (11) must be loosened before tightening the V-belt or checking the tension.

To increase the belt tension, turn the tightening screw (12) to the right (clockwise) with the combination wrench included with the Power Cut.

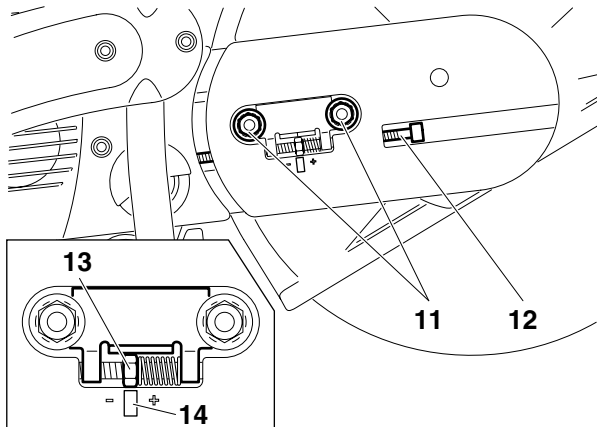
The belt tension is correctly adjusted when the nut (13) is centred on the mark (14).



IMPORTANT:

After tightening/inspection, make certain to tighten the fastening nuts (11) (30 ± 2 Nm).

F



Installing the pressure water system

Not in the general scope of delivery. Country-specific!



CAUTION: Before doing any work on the Power Cut, always switch off the engine and disconnect the spark plug cap!

NOTE: When using a protective hood for a maximum disk diameter of 300 mm (12"), always shorten hose (1) to 180 mm (7").

To do this unscrew sleeve (2) and carefully pull tube (1) off coupling (3) and cut to 180 mm. Then push the tube end back over the coupling and tighten the sleeve all the way.

- Install the water connection as shown in Figure H. Push clamp (H/8) around the front grip (H/9) and fasten with the bolt and square nut.
- Pull the quick-release coupling (H/10) from the water connection and connect it to the 1/2" supply line (4).
- Remove the cutting disk (see instruction manual).
- Tube routing with the cutting assembly in the middle position, see Fig. H.
- Tube routing with the cutting assembly in the outside position, see Fig. I.
- Insert the nozzles (5) through the protective hood (6) from the inside and put on couplings (3). Screw on and tighten the coupling caps (7).

IMPORTANT:

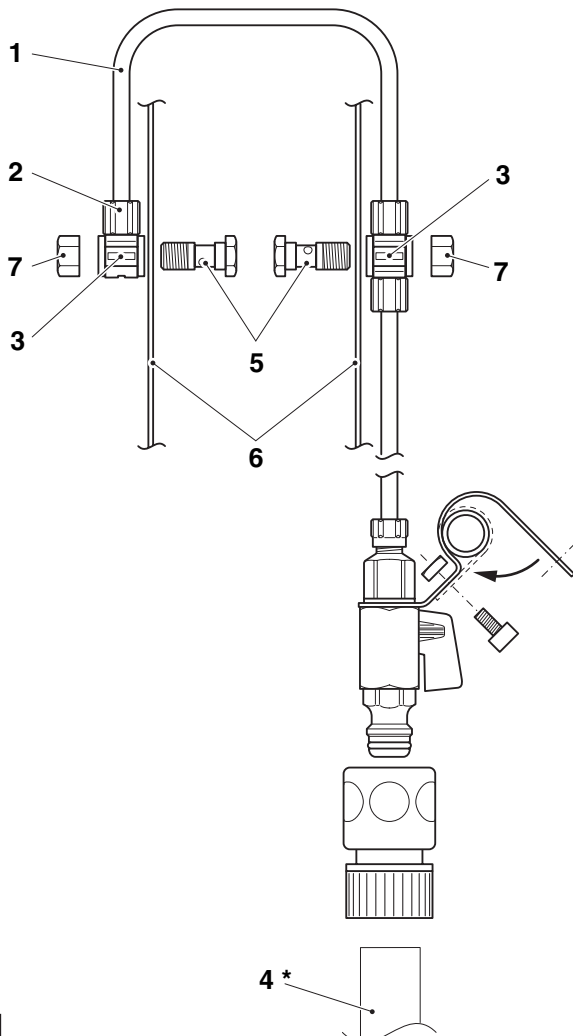
To avoid bending the tubes, be sure to position the couplings (3) in accordance with Fig. H or I as appropriate.

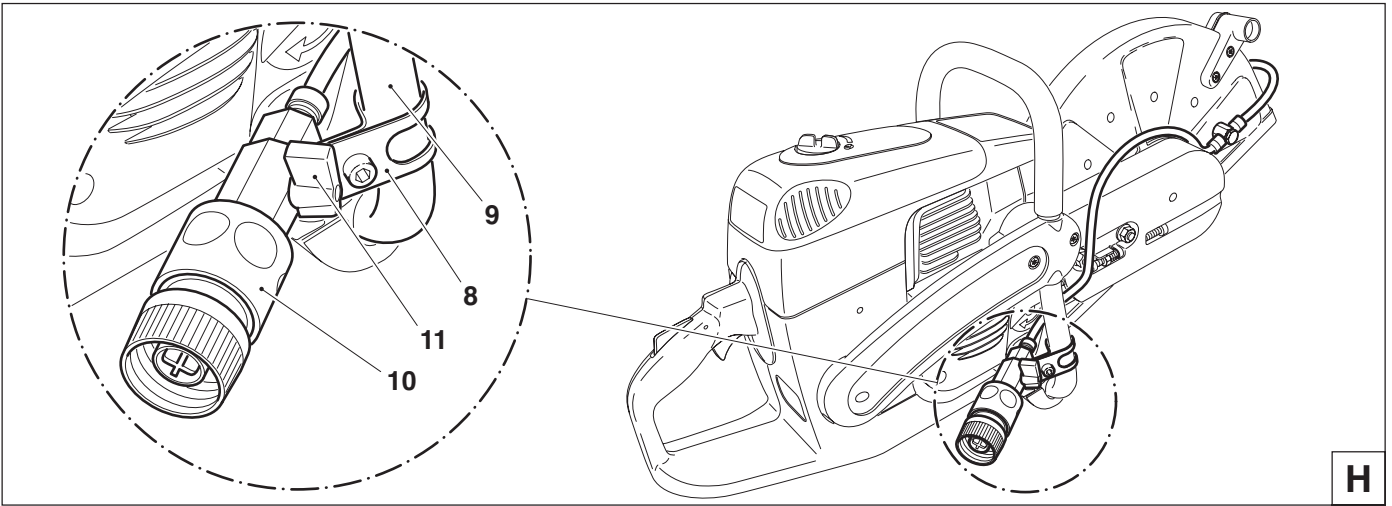
- Install the cutting disc (see instruction manual).
- Connect the quick-release coupling (H/10) to the supply tube.

NOTE:

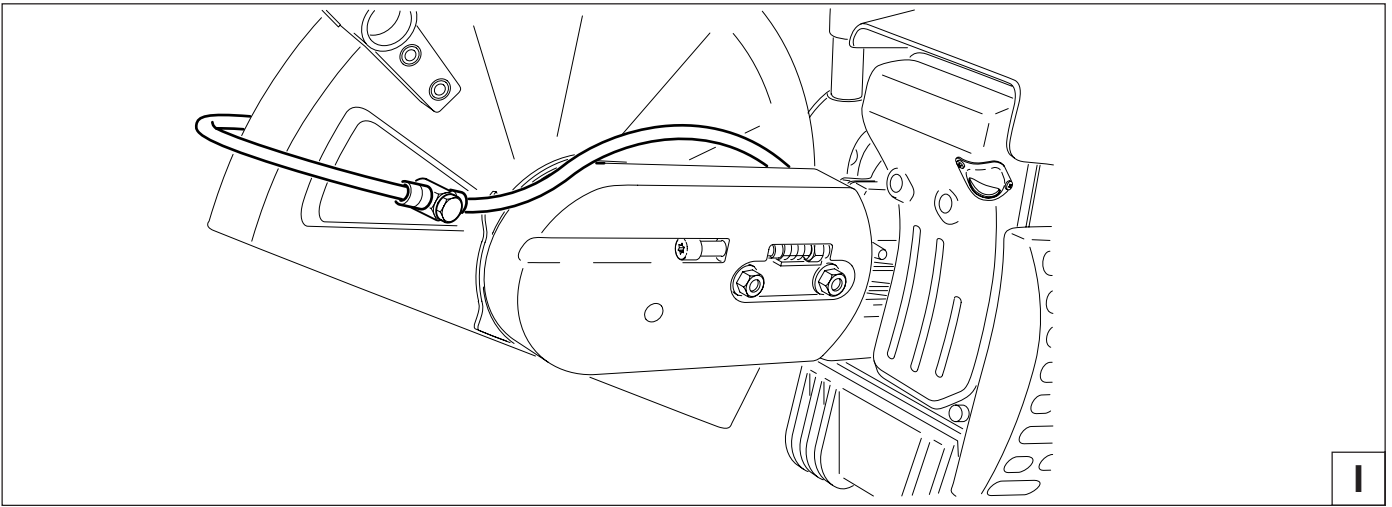
The water flow rate can be precisely adjusted with valve (H/11).

G





H



I

Fuels

Caution:

The Power Cut uses mineral-oil products (gasoline and oil).
Be especially careful when handling gasoline.
Do not smoke. Do not allow gasoline to come near flames, sparks or fire (explosion hazard).



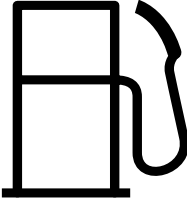

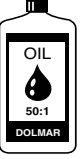
Fuel mixture

The Power Cut is powered by a high-performance two-stroke engine. It runs on a mixture of gasoline and two-stroke engine oil.

The engine is designed for unleaded regular gasoline with a min. octane value of 91 ROZ. In case no such fuel is available, you can use fuel with a higher octane value. This will not affect the engine.

In order to obtain an optimum engine output and to protect your health and the environment use unleaded fuel only. Gasoline which contains alcohol should not be used in DOLMAR products.

To lubricate the engine, use a high-performance two-stroke engine oil (quality grade JASO FC or ISO EGD), which is added to the fuel. The engine is designed for the use of DOLMAR HP 100 high-performance two-stroke engine oil at a mixture ratio of only 100:1 to protect the environment. In addition, this ensures a long service life and reliable operation with minimum exhaust emissions.

Gasoline	100:1	50:1
		
1.0 Us-gal. (3.7 l)	1.25 floz. (37 cm ³)	2.5 floz. (75 cm ³)
2.5 Us-gal. (9.4 l)	3.2 floz. (94 cm ³)	6.4 floz. (189 cm ³)
5.0 Us-gal. (18.9 l)	6.4 floz. (189 cm ³)	12.8 floz. (378 cm ³)

The correct mixture ratio:

100:1 When using DOLMAR HP 100 high-performance two-stroke engine oil, i. e. 100 parts gasoline to 1 part oil.

50:1 When using DOLMAR high-performance two-stroke engine oil, i. e. 50 parts gasoline to 1 part oil.

J

DOLMAR HP 100 high-performance two-stroke engine oil is available in the following sizes to suit your individual requirements:

50 ml order number 980 008 105

0,5 l order number 980 008 113

DOLMAR high-performance two-stroke engine oil (50:1) is available in the following sizes to suit your individual requirements:

100 ml order number 980 008 106

1 l order number 980 008 112

5 l order number 980 008 118

NOTE: For preparing the fuel-oil mixture first mix the entire oil quantity with half of the fuel required, then add the remaining fuel. Shake the finished mixture thoroughly before pouring it into the Power Cut tank.

Caution: Open the tank cap carefully, as pressure might have built up inside!

It is not wise to add more engine oil than specified to ensure safe operation. This will only result in a higher production of combustion residues which will pollute the environment and clog the exhaust channel in the cylinder as well as the muffler. In addition, fuel consumption will rise and performance will decrease.

The Storage of Fuel

Fuels have a limited storage life. Fuel and fuel mixtures age. Therefore fuel and fuel mixtures, which have been stored for too long, can cause starting problems. Purchase only that amount of fuel, which will be consumed over the next few months.

Store fuel safely in a dry place in approved containers only.

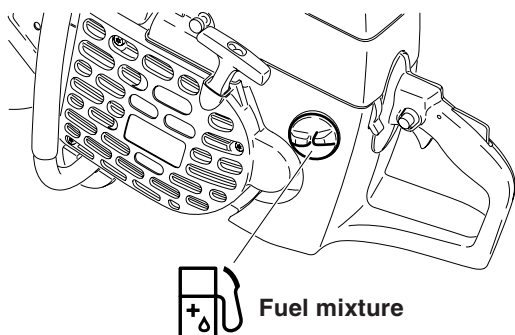


AVOID SKIN AND EYE CONTACT

Mineral oil products degrease your skin. If your skin comes in contact with these substances repeatedly and for an extended period of time, it will dry out. Various skin diseases may result. In addition, allergic reactions are known to occur. Eyes can be irritated by contact with oil. If oil comes into your eyes, immediately wash them with clear water.

If your eyes are still irritated, see a doctor immediately!

A



Refuelling

IMPORTANT:

FOLLOW THE SAFETY PRECAUTIONS!

Be careful and cautious when handling fuels.

The engine must be turned off and cooled down!

Carefully clean the area around the fuel-tank filler neck to keep dirt from getting in the tank.

Place the unit on its side on an even surface.

Unscrew the tank cap and fill tank with fuel mixture. Take care to avoid spilling.

Screw the tank cap back on hand-tight.

Clean screw cap and tank after refuelling. Never start or operate the Power Cut in the same place as it was fuelled!

If fuel gets on your clothing, change clothes immediately.

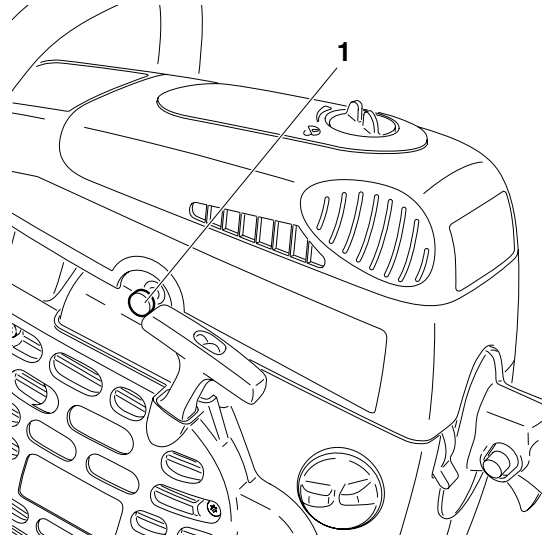
B

Starting the engine



This model is fitted with a semiautomatic decompression valve (1) to make starting easier. Depressing it reduces the force needed for compression, so little force is needed to accelerate the engine to its starting speed.

The high pressure in the combustion chamber after the first ignition automatically closes the decompression valve (button pops out).



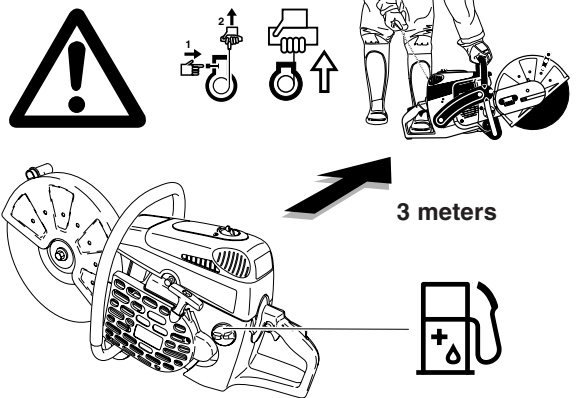
C

CAUTION:

Observe the **SAFETY INSTRUCTIONS** on page 5 and 6!
Start the Power Cut only after complete assembly and inspection!

Move at least 10 feet (3m) away from the place where you fuelled the Power Cut.

Make sure you have a good footing, and place the Power Cut on the ground in such a way that the cutting disc is not touching anything.



D

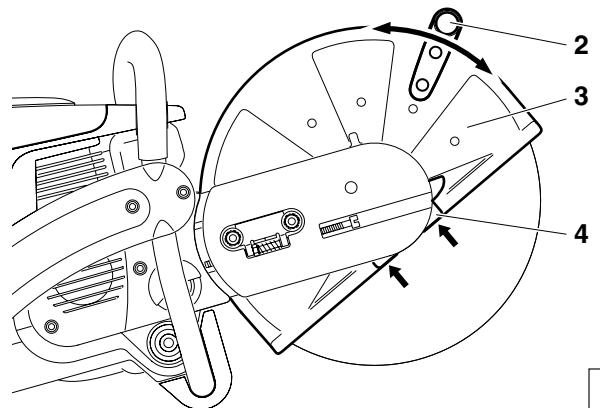
Move the protective hood (3) into the proper position for the work you intend to do (see illustration).

Grasp the grip (2). The hood (3) can swing in both ways within its range of motion.

Caution:

Always make sure that the straight outer edge of the impact plate (4) and the edge of the hood are parallel (see arrows).

If this is not the case, take the tool to a service center.



E

Cold-starting

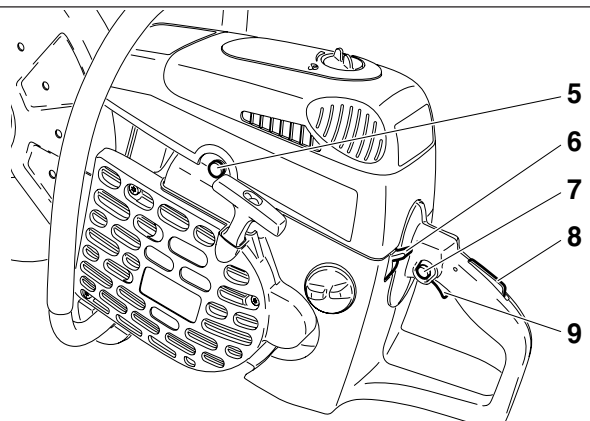
Move the combination switch (6) up (choke position).
Grasp handle (hand pressure actuates the grip throttle lever lock (8)).

Push the throttle (9) in all the way and hold it.

Press the throttle lock (7) and release the throttle (9) (the throttle lock will hold the throttle at half-throttle position).

NOTE: If the Power Cut is in a trolley, bring the control lever to the third or fourth detent.

Depress decompression valve (5).



F

Grasp the tubular handle firmly with one hand and press the Power Cut against the ground.

Place the tip of your left foot in the rear handle.

Pull the starter cable strong and rapidly until you hear the first audible ignition.

CAUTION: Do not pull out the starter cable more than approx. 20" (50 cm), and lead it back by hand.

Depress decompression valve (F/5) again.

Put the combination switch (F/6) in position "I".

Keep pulling the starter cable until the engine catches.

As soon as the engine is running, press the throttle (F/9) to release the half-throttle lock (F/7), allowing the engine to idle.

Warm-starting

As described under "Cold starting", except without putting the combination switch (F/6) in choke position.

G

Stopping the engine

Push the combination switch (1) down to position .

H

Adjusting the carburetor



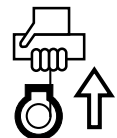
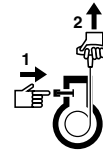
NOTE: The grinding parts are equipped with an electronic ignition to limit the speed. The carburetor also has a fixed jet which cannot be adjusted.

At the factory the idling speed has been set to approx. 2,500 1/min., but the running-in process of a new engine may require slight readjustment of the idling speed.

A

For correct adjustment of the idling speed the following steps must be carried out:

Start the engine and run it until it is warm
(about 3 - 5 minutes).



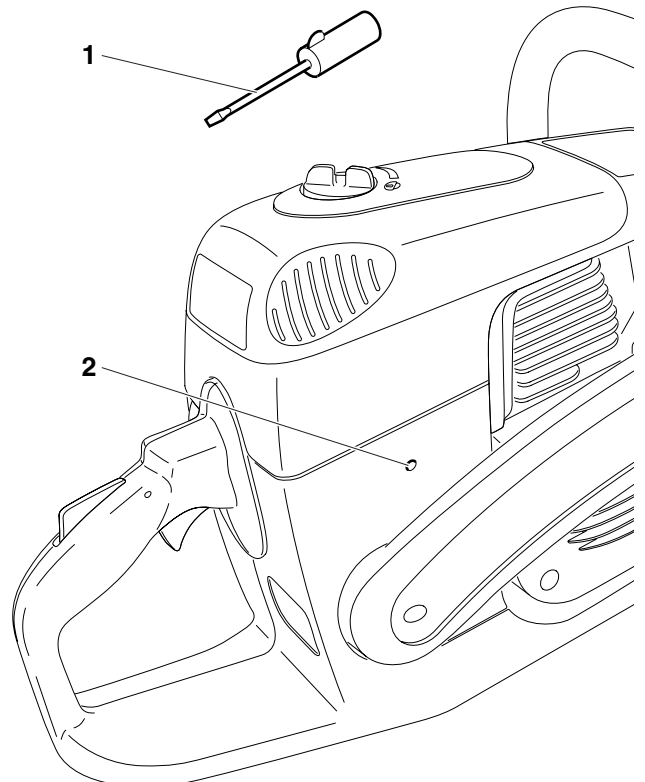
B

Adjust the carburetor with the screwdriver (1, Order No. 944 340 001) included with the Power Cut. It has a lug that helps with adjustment.

Readjust the idling speed.

If the cut-off disc is still turning when the engine is running, unscrew the adjusting screw of the throttle valve (2) until the cut-off disc is no longer turning. When the engine is left running at idling speed, loosen the screw a little.

Switch off the engine



C

MAINTENANCE



CAUTION:

Before doing any work on the Power Cut **turn off the engine**, remove the cutting disc, pull the plug cap off the spark plug and wear protective gloves!

CAUTION:

Start the Power Cut **only after complete assembly and inspection.**

A

DOLMAR



SERVICE

IMPORTANT:

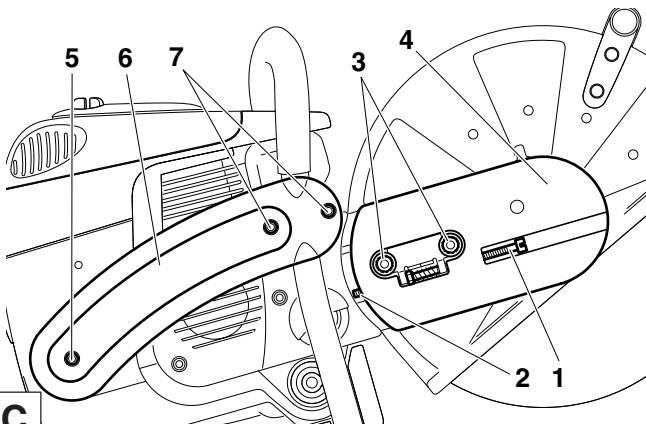
Because many of the parts and assemblies not mentioned in this Instruction Manual are vital to the safety of the unit, and because all parts are subject to a certain amount of wear and tear, it is important for your own safety that you have the unit checked and maintained regularly by a DOLMAR service center.

IMPORTANT:



If the cutting wheel breaks during cutting, the Power Cut must be repaired by a DOLMAR service center before being used again!

B



Changing the V-belt

Loosen nuts (3).

Loosen the tightening screw (1) (counter-clockwise) until the end of the screw (2) is visible in the gap.

Unscrew the nuts (3) and remove the cover (4).

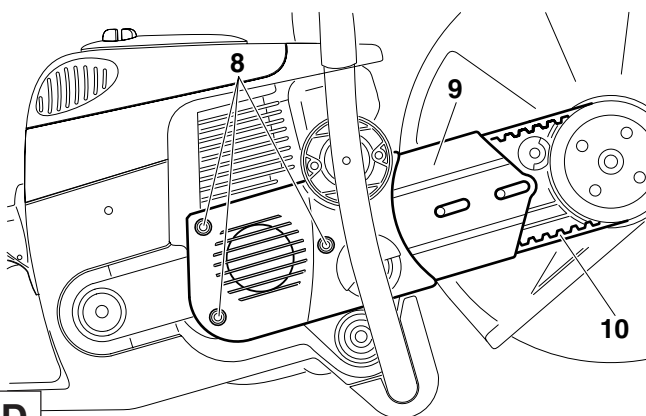
Remove the screws (5) and (7) and remove the side piece (6).

NOTE:



Screw (5) is longer than screws (7). Make sure to put them back in the right places during reassembly!

C



Unscrew the screws (8) and remove the crankcase housing cover (9).

Remove the old belt (10) or belt pieces.

Clean out the inside of the drive arm with a brush.

Put in a new V-belt.

NOTE:

Reassemble the crankcase housing cover (9), side piece (C/6) and cover (C/4) in the reverse order.

To tighten the V-belt see "Tightening the V-belt / Checking V-belt tension".

D

Cleaning the protection hood

Over time, the inside of the protective hood can become caked with material residue (especially from wet cutting), which if allowed to accumulate can hinder the free rotation of the cutting disc. For this reason the hood must be cleaned out from time to time.

Take off the cutting wheel with spring washer and remove the accumulated material from inside the hood with a strip of wood or similar implement.

Clean the shaft and all removed parts.



NOTE: To install the cutting wheel see "Mounting the cutting wheel".

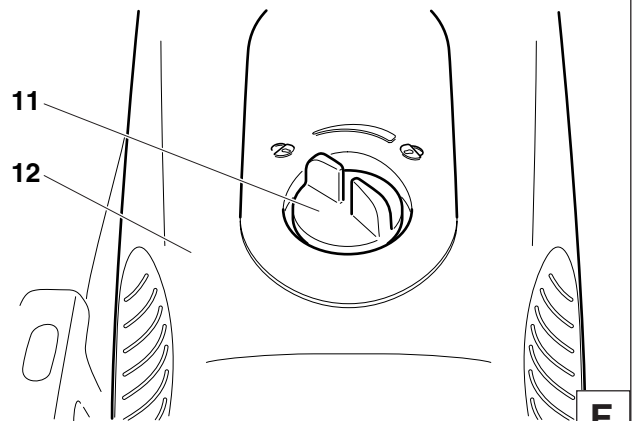
E

Cleaning / changing the air filter

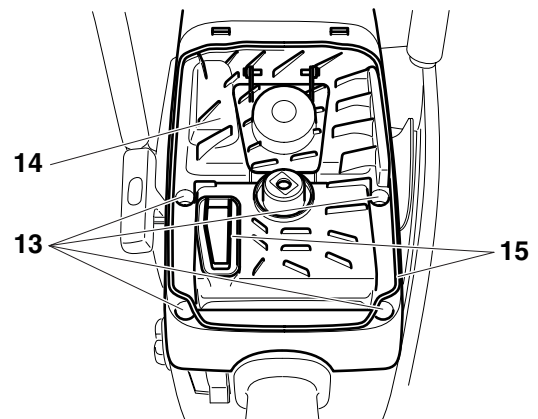


Turn the cover lock (11) to the "Unlocked" position and carefully remove the filter cover (12).

There are two O-rings (G/15) between the filter cover (12) and the air filter hood (G/14).



Remove screws (13) and take off the cover (14).
Clean the O-ring (15) with a brush and inspect for damage.

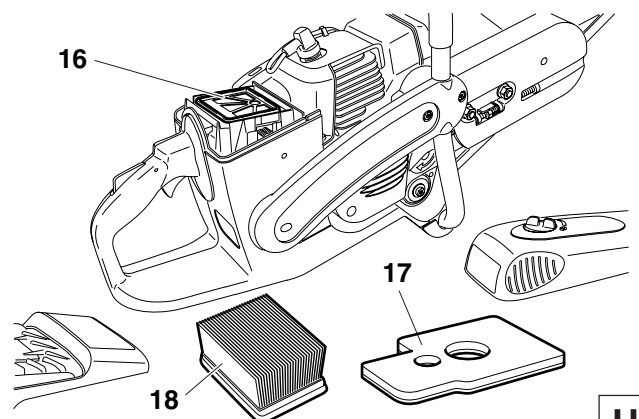


Take the pre-filter (foam, 17) out of the filter cover.
Pull the air filter insert (paper cartridge, 18) out of the cover.
Remove the inner filter (16) from the intake opening.

Note:

Do not allow dirt to get into the carburetor!

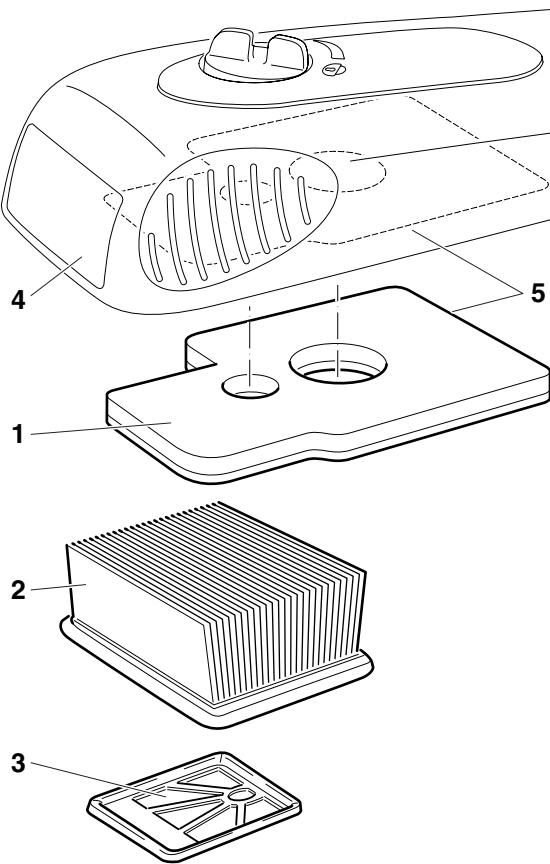
Switch the combination switch to "Choke" or cover the carburetor with a clean cloth.



CAUTION:



Never clean out the air filter with compressed air! Do not clean the pre-filter and inner filter with fuel.



Pre-filter (foam) and inner filter

If the pre-filter (1) and inner filter (3) are dirty, wash them out in lukewarm water with regular dishwashing liquid.

Dry pre-filter and inner filter **thoroughly**.

NOTE: The pre-filter needs cleaning at least daily, or more often if the Power Cut is used in very dusty conditions. If cleaning on-site is not possible, keep a replacement pre-filter on hand.

Replace the pre-filter after every 20 operating hours at the latest.

To improve filtration, wet the pre-filter with air filter oil. Before doing this, carefully clean the pre-filter with air filter cleaner. Be sure to follow manufacturer's instructions.

When inserting the pre-filter in the filter cover, align it with the cover opening and press it into the cover (5).

Filter insert (paper cartridge)

The air filter insert (2) filters the intake air through a very fine paper fan filter system, so it must never be washed. Clean the filter insert once weekly.

To do so, open it slightly and carefully tap it out against a clean surface.

Replace the filter insert every 100 operating hours. Replace it immediately if there is loss in power, loss in speed, or smoke develops in the exhaust.

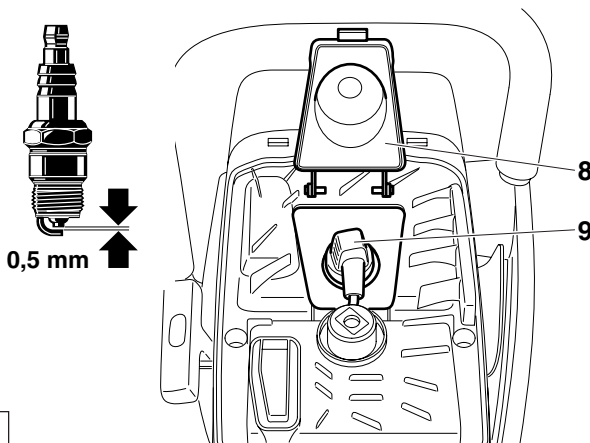
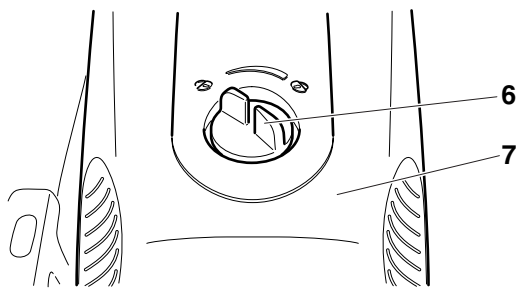
Before installing the filter system, check the intake opening for any dirt particles that may have fallen in. If so, remove them.

CAUTION:

If the air filter becomes damaged, replace immediately!

Pieces of cloth or large dirt particles can destroy the engine!

A



Replacing the spark plug




CAUTION:

Do not touch the spark plug or plug cap if the engine is running (high voltage).

Switch off the engine before starting any maintenance work.

A hot engine can cause burns. Wear protective gloves!

The spark plug must be replaced in case of damage to the insulator, electrode erosion (burn) or if the electrodes are very dirty or oily.

Turn the cover lock (6) to the "Unlocked"  position and carefully remove the filter cover (7).

Flip up the spark-plug cover (8).

Pull the plug cap (8) off the spark plug. Use only the combination wrench supplied with the saw to remove the spark plug.

Electrode gap

The electrode gap must be .020" (0.5 mm).

B

Checking the ignition spark

Insert the combination wrench (9) between the hood and cylinder only as shown.

CAUTION!

Do not insert the combination tool into the spark plug hole, but make contact only with the cylinder (otherwise you may damage the engine).

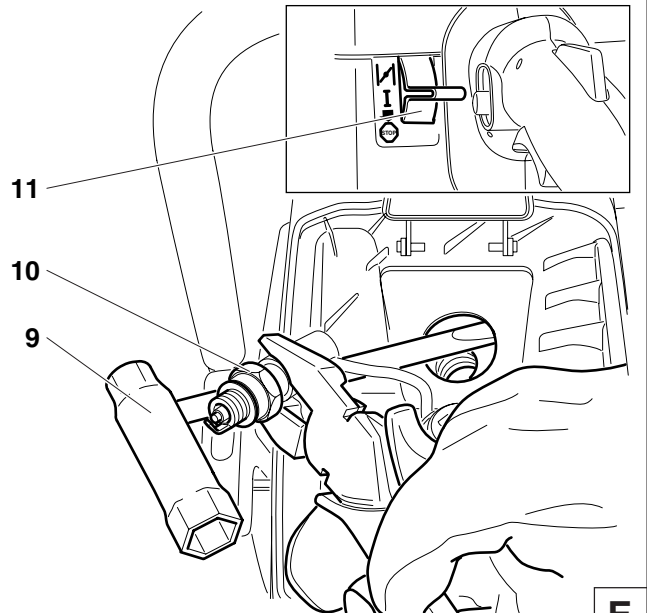
Using insulated pliers, hold the spark plug (10) (unscrewed but with the plug cap on) against the combination tool (away from the spark plug hole!).

Switch the combination switch (11) to "I".

Pull the starter cable hard.

If the function is correct, an ignition spark must be visible near the electrodes.

CAUTION: Use only BOSCH WSR 6F spark plug, CHAMPION RCJ-6Y or NGK BPMR 7A.



E

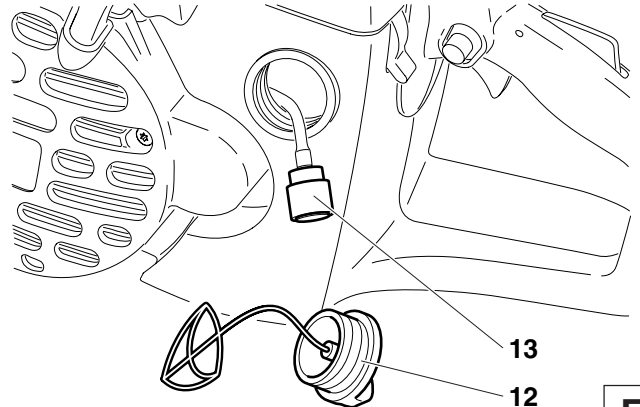
Replacing the suction head

The felt filter (13) of the suction head can become clogged. It is recommended to replace the suction head once every three months in order to ensure unimpeded fuel flow to the carburetor.

Unscrew the tank cap (12), pull the retainer out of the opening. Empty fuel tank.

Use a wire hook to pull the suction out of the tank opening for replacement.

Caution: Do not allow fuel to come into contact with skin!



F

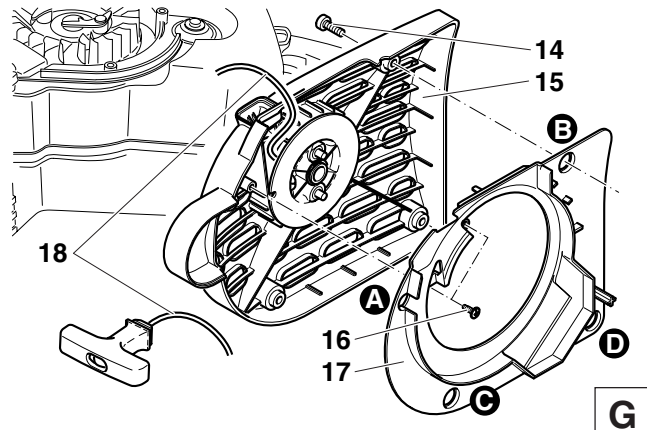
Replacing the starter cable



Remove four screws (14). Remove starter housing (15).

Unscrew two screws (16) and carefully remove the air guide (17) from the starter housing (15). Proceed in the order (A - B - C - D).

Remove all pieces of cable (18).



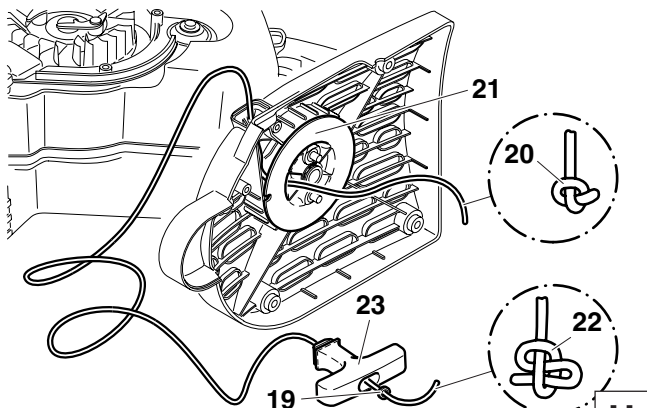
G

Thread in a new starter cable (dia 0.16" (4.0 mm), length 39.5" (1000 mm)) as shown (don't forget the disc (19)) and knot both ends.

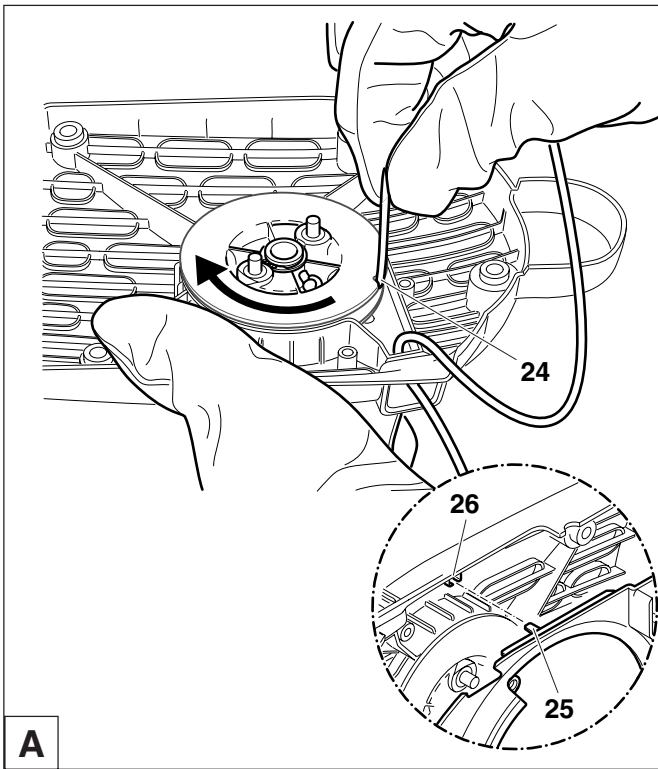
Pull knot (20) into the cable pulley (21).

CAUTION: Do not let the knots or the cable ends protrude from the outside of the cable pulley.

Pull knot (22) into the cable grip (23).



H



Guide the cable into the recess (24) on the cable drum and use the cable to turn the drum two turns in the direction shown by the arrow.

Holding the cable drum in your left hand, straighten out the twist in the cable with your right hand, pull the cable tight, and hold. Release the cable drum. The drum's spring force will now wind the cable around the drum.

Repeat three times. The starter grip must be upright on the starter housing.

NOTE: With the cable pulled all the way out, it must still be possible to turn the pulley another 1/4 turn against the return spring.

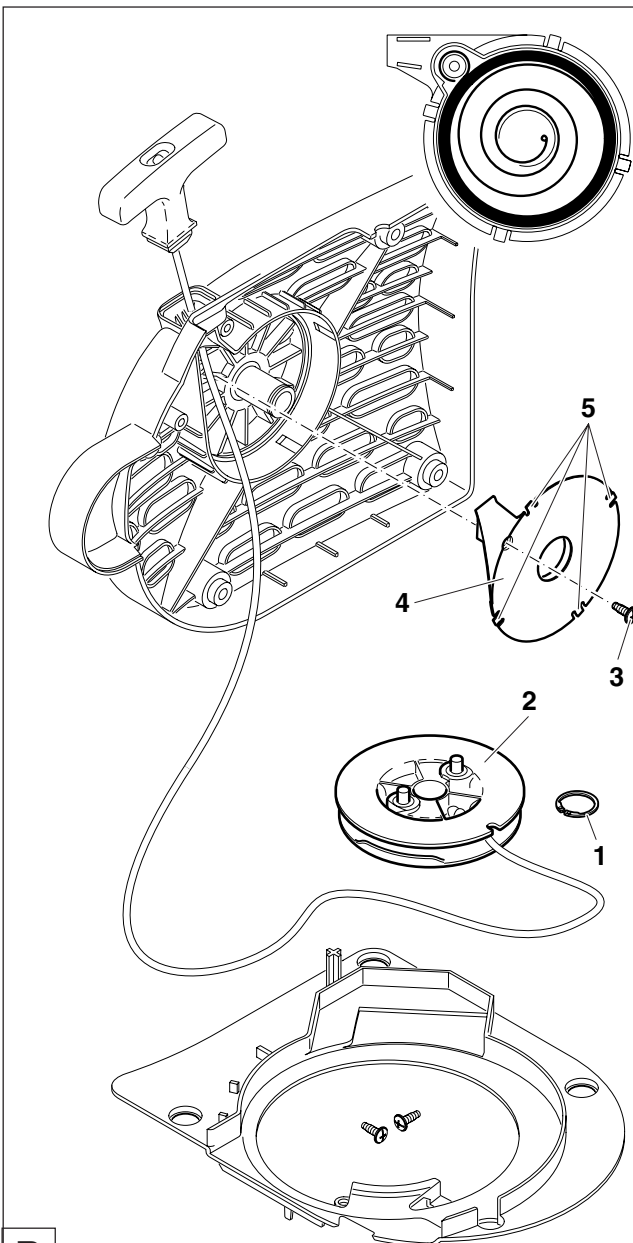
CAUTION!

Injury hazard! When you pull out the starter cable hold the starter handle firmly. It will whip back if the cable pulley is released by accident.

Install the air guide in reverse order (see figure G, page 23). Make sure that the nub (25) fits into the slot (26) in the starter housing.

When putting the starter housing back on, it may be necessary to pull the starter handle slightly until the starting mechanism engages.

A



Replacing the return spring



Remove the starter housing (see "Replacing the starter cable").

Take the air guide off the starter housing (see "Replacing the starter cable").

Take off circlip (1) (circlip pliers, see "Accessories").

Remove the cable pulley (2).

Unscrew screw (3).

Evenly lever the return spring (4) out of the catch using a screwdriver or similar tool. **Be extremely careful - the return spring is under tension and can pop out of its housing!**

CAUTION! Injury hazard! Wear eye protection and work gloves when performing this work!

Replacement return springs are delivered already tensioned in the housing. **CAREFUL - the spring can pop out.** If it does, it can be put back in as shown in the diagram (**observe the direction of rotation**).

Before installing the new return spring (4) in the starter housing, grease it lightly with multipurpose grease, Order No. 944 360 000. Then position it and press it until the tabs (5) engage in the slots.

Do not grease the cable drum (2) or bearing journal!

Screw in bolt (3) but do not tighten it hard.

Turn the cable pulley slightly when putting it back on, until you hear it catch. Put the circlip back on.

Wind on the starter cable (see above under "Replacing the starter cable").

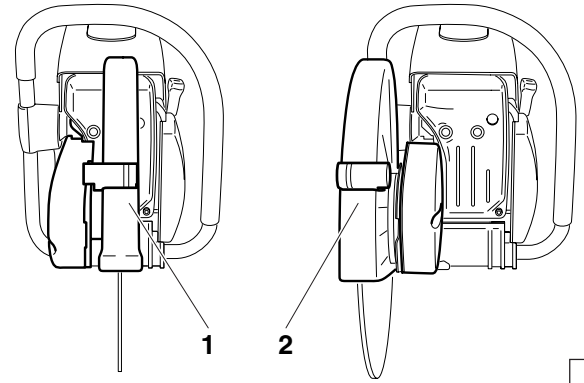
Reinstall the air guide (see Fig. A)

When putting the starter housing back on, it may be necessary to pull the starter handle slightly until the starting mechanism engages.

B

Cutting attachment in central / side position

NOTE: The Power Cut is delivered with the cutting attachment mounted in the middle position (1). For cutting up against obstacles, such as curbs or walls, the cutting attachment can be mounted to one side (2). Use this position only when actually necessary, and afterwards return the cutting attachment to the middle position. In this position the Power Cut has better balance, is easier to guide, and is not as fatiguing for the operator.



C

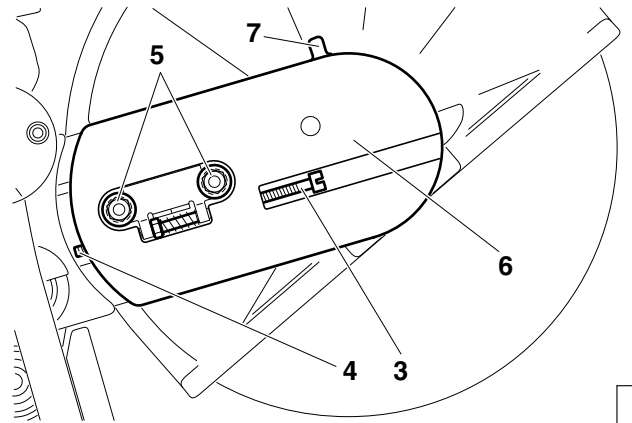
Repositioning the cutting attachment



Loosen nuts (5).

Loosen the tightening screw (3) (counter-clockwise) until the end of the screw (4) is visible in the gap.

Unscrew the nuts (5) and remove the cover (6).



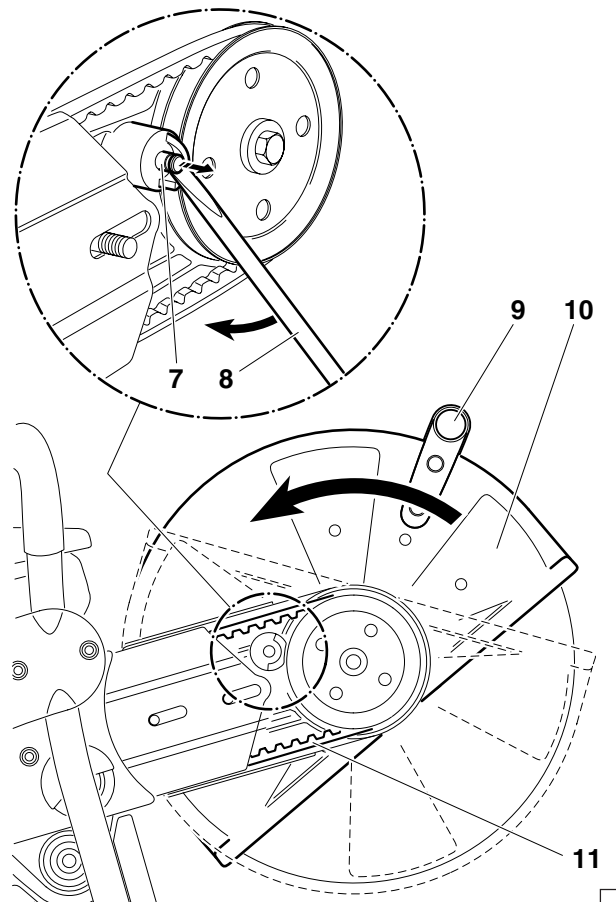
D

Use the combination tool (8) to lever out the stop pin (7) as shown in the illustration, until the protective hood (10) can be turned.

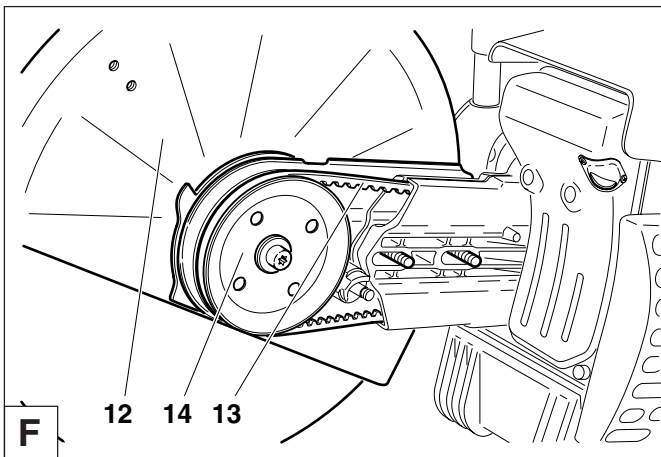
NOTE: The turn stop (D/7) is deactivated when the stop pin (7) is removed. This permits the hood (10) to be turned farther than the turn stop (D/7).

Unscrew the grip (9) and turn the protective hood (10) as shown in the illustration.

Disengage the V-belt (11) and remove the cutting attachment.

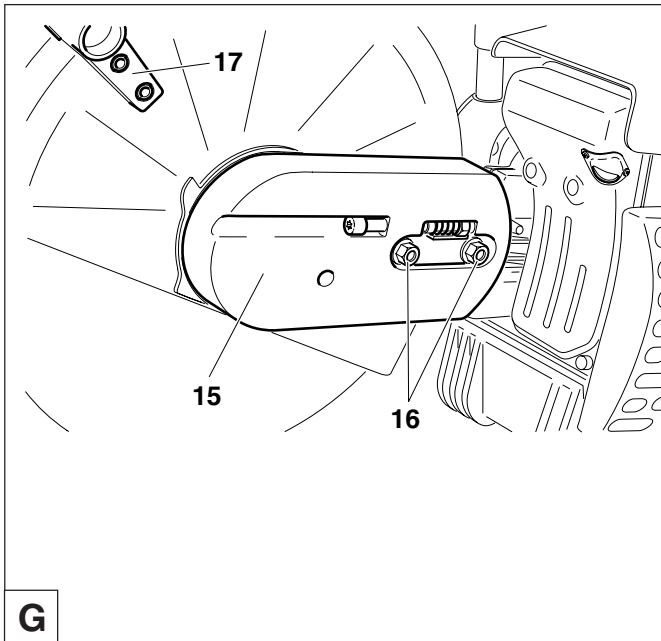


E



Press the cutting attachment (12) onto the drive arm in the side position.

Guide the V-belt (13) over the V-belt pulley (14).



Put the guard plate (15) on.

Screw on nuts (16) and tighten by hand.

To tighten the V-belt see "Tightening the V-belt / Checking V-belt tension".

Tighten the nuts (16) firmly with the combination wrench.

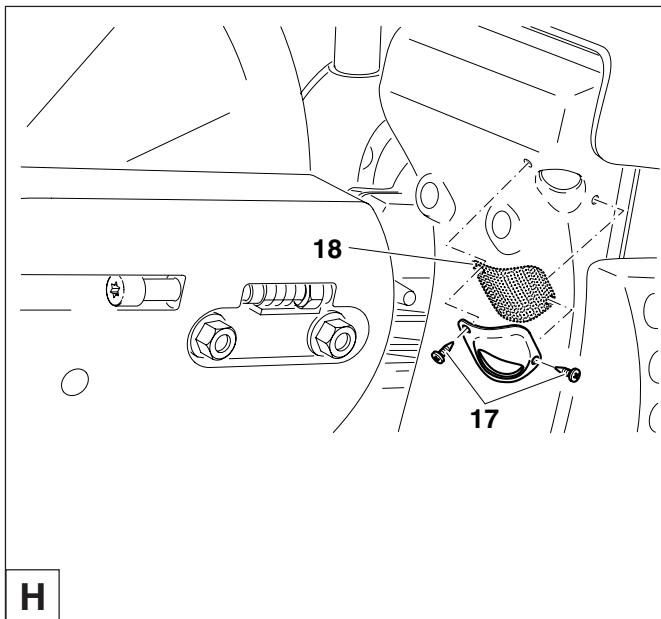
Replace the grip (17) as shown.

IMPORTANT:

When you reposition the cutting attachment, the direction of rotation of the cutting wheel changes.



If a rotation direction is marked on the cutting disc, make sure the disc turns in the right direction.



Replacing/cleaning the spark arrester screen



The spark arrester screen should be checked and cleaned regularly.

Loosen the 2 screws (18) and remove the spark arrester screen (19).

Reassembly the spark arrester screen and tighten the screws.

CAUTION:

Do not use sharp or pointed objects for screen cleaning. Damaged or misformed screen wires may result.

SPECIAL ACCESSORIES

Diamond cutting discs (1)

DOLMAR diamond cutting discs meet the highest demands in working safety, ease of operation, and economical cutting performance. They can be used for cutting all materials **except metal**.

The high durability of the diamond grains ensures low wear and thereby a very long service life with almost no change in disc diameter over the lifetime of the disc. This gives consistent cutting performance and thus high economy. The outstanding cutting qualities of the discs make cutting easier.

The metal disc plates give highly concentric running for minimal vibration during use.

The use of diamond cutting discs reduces cutting time significantly. This in turn leads to lower operating costs (fuel consumption, wear on parts, repairs, and last but not least environmental damage).

Guide trolley (2)

The DOLMAR guide trolley makes it much easier to do straight cuts, while simultaneously enabling almost untiring working. It can be adjusted for the operator's height, and can be operated with the cutting attachment mounted in the middle or on the side.

For easier refuelling when using the trolley, we recommend adding an angled tank filler neck (3).

A depth limiter can be added for still easier and more accurate cutting. It makes it possible to maintain a precise predetermined cut depth (4).

To keep down dust and for better cutting-disc cooling, DOLMAR offers several options for wetting the disc during operation.

Water tank (5)

The water tank is designed to be mounted on the guide trolley. Its high capacity makes it especially suitable for situations involving frequent site changes. For filling or for fast changing to reserve tanks, the tank can be simply lifted off the trolley.

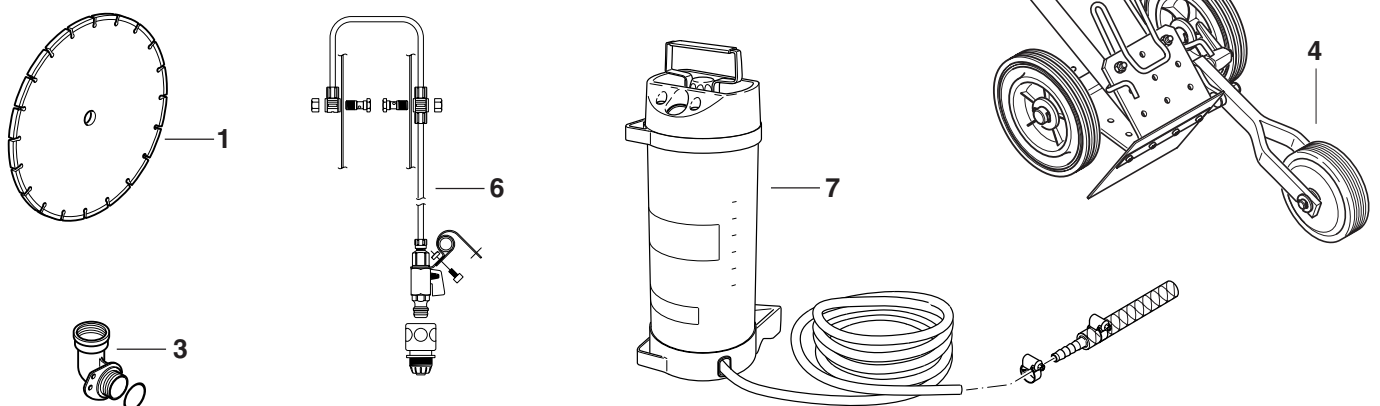
The water tank comes with all necessary connections and hoses. Mounting to the trolley and Power Cut are very fast and simple.

Mains/pressure water system (6)

The mains/pressure water system is designed to be mounted on the Power Cut. It can be used with or without the trolley, but is especially suitable for applications involving hand-held, stationary cutting. The water line has a fast-release connection, and can be fed either from a mains supply or from a pressure tank (7).

The water system comes with all necessary connections and lines. It can be quickly and easily mounted on the Power Cut.

See "Accessories" for order number.



Instructions for periodic maintenance

To ensure long life, prevent damage and ensure the full functioning of the safety features the following maintenance must be performed regularly. Guarantee claims can be recognized only if this work is performed regularly and properly. Failure to perform the prescribed maintenance work can lead to accidents!

Users of the Power Cut must not perform any maintenance work not described in this Instruction Manual. All such work must be carried out by a DOLMAR service center.

			Page
General	Entire Power Cut	Clean exterior, check for damage. In case of damage, have repaired by a qualified service center immediately	
	Cutting disc	Inspect regularly for damage and wear.	7
	Clutch	Have inspected at a service center.	
	Protection hood	Clean, Check position (impact plate)	17
Before each start	Cutting disc	Inspect for damage and make sure the cutting wheel is right for the job	7
	V-belt	Check V-belt tension	14
	Protective hood	Adjust position	
	Combination switch, Safety locking button, Throttle lever	Functional check Functional check Functional check	17
	Tank cap	Check for tightness	
Every day	Air filter	Clean, (poss. more often), replace foam pre-filter after 20 hours of operation	21
	Idle speed	Check (cutting disc must not turn on idle)	19
	Extreme dust	Clean filter insert (paper cartridge)	21
Every week	Starter housing	Clean to ensure proper air cooling	12
	Starter cable	Check for damage	23
	V-belt	Check V-belt tension, inspect for damage and wear	20
	Air filter insert	Clean, replace after 100 operating hours	22
	Spark plug	Check and replace if necessary	22-23
	Muffler	Check tightness of mounting	12
Every 3 months	Suction head	Replace	23
	Fuel tank	Clean	
Annually	Entire Power Cut	Check at an authorized service center	
Storage	Entire Power Cut	Clean exterior, check for damage. In case of damage, have repaired by a qualified service center immediately	
	Cutting disc	Remove and clean	13
	Fuel tank	Empty and clean	
	Carburetor	Run empty	

Service, spare parts and guarantee

Maintenance and repair

The maintenance and repair of modern cutoff saws and their safety-related components requires qualified technical training and a workshop equipped with special tools and testing devices.

We therefore recommend that you consult a DOLMAR service center for all work not described in this instruction manual.

The DOLMAR service centers have all the necessary equipment and skilled and experienced personnel, who can work out cost-effective solutions and advise you in all matters.

Please contact your nearest service center (list enclosed) or the general trading company or importer (see last page), who will gladly provide you with the address of your nearest DOLMAR service center.

Spare parts

Reliable long-term operation, as well as the safety of your Power Cut, depend among other things on the quality of the spare parts used. Use only original DOLMAR parts, marked



Only original parts are from the same production line as the original unit and therefore ensure the highest possible quality of materials, dimensions, functioning and safety.

Only original spare parts and accessories guarantee the highest quality in material, dimensions and function.

Original spare parts and accessories can be obtained from your local dealer. He will also have the spare part lists to determine the required spare part numbers, and will be constantly informed about the latest improvements and spare part innovations.

Please bear in mind that if parts other than original DOLMAR spare parts are used, this will automatically invalidate the DOLMAR product guarantee.

We will furthermore not accept any liability damages arising from the use of non-DOLMAR spare parts.

Guarantee

DOLMAR guarantees the highest quality and will therefore reimburse all costs for repair by replacement of damaged parts resulting from material or production faults occurring within the guarantee period after purchase. Please note that in some countries particular guarantee conditions may exist. If you have any questions, please contact your salesman, who is responsible for the guarantee of the product.

Please note that we cannot accept any responsibility for damage caused by:

- Disregard of the instruction manual.
- Non-performance of the required maintenance and cleaning.
- Incorrect carburetor adjustment.
- Normal wear and tear.
- Obvious overloading due to permanent exceeding of the upper performance limits.
- The use of other than original DOLMAR cutting discs.
- Use of force, improper use, misuse or accidents.
- Damage from overheating due to dirt on the fan housing.
- Work on the Power Cut by unskilled persons or inappropriate repairs.
- Use of unsuitable spare parts or parts which are not original DOLMAR parts, insofar as they have caused the damage.
- Use of unsuitable or old oil.
- Damage related to conditions arising from lease or rent contracts.

Cleaning, servicing and adjustment work is not covered by the guarantee. All repairs covered by the guarantee must be performed by a DOLMAR service center.

Troubleshooting

Malfunction	System	Observation	Cause
Cutting disc does not start turning	Clutch	Engine runs	Damage to clutch
Cutting disc runs in idle	Carburetor, clutch	Cutting disc runs	Incorrect idle speed, blocked clutch
Engine does not start or only with difficulty	Ignition system Fuel supply Compression system Mechanical malfunction	Ignition spark No ignition spark Fuel tank is filled Inside Outside Starter does not engage	Malfunction in fuel supply system, compression system, mechanical malfunction. Switch on STOP, fault or short-circuit in the wiring, plug cap or spark plug defective. Choke in wrong position, carburetor defective, suction head dirty, fuel line bent or interrupted. Cylinder base packing ring defective, radial shaft packings defective, cylinder or piston rings defective Spark plug does not seal. Spring in starter broken, broken parts inside the engine.
Engine starts, but dies immediately	Fuel supply	Fuel tank is filled	Wrong idling adjustment, suction head or carburetor dirty. Tank venting defective, fuel line interrupted, cable defective, STOP switch defective. Decompression valve dirty
Insufficient power	Several systems may be involved simultaneously	Engine speed is low	Air filter dirty, wrong carburetor adjustment, muffler clogged, exhaust channel in cylinder clogged, spark arrester screen clogged

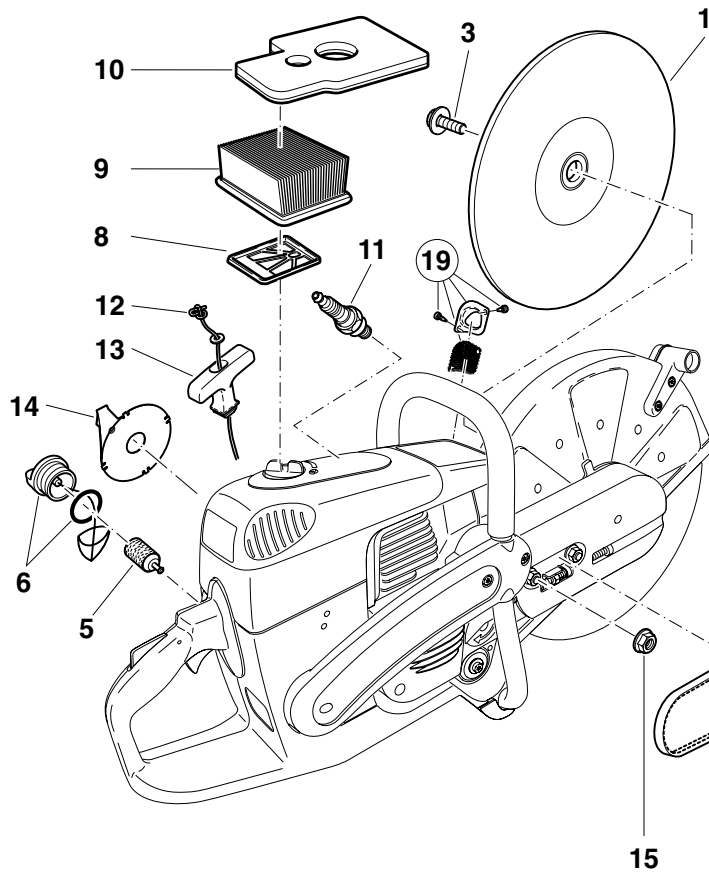
Extract from the spare parts list

Use only original DOLMAR parts. For repairs and replacement of other parts, see your DOLMAR service center.

PC-6430, 6435

PC-7330, 7335

DOLMAR



Pos.	DOLMAR-No.	Qty.	Denomination
Synthetic resin cutting disc			
1	966 121 150	1	Cutting disc for steel, dia. 300/20 mm (12"/0.8")
	966 141 150	1	Cutting disc for steel, dia. 350/20 mm (14"/0.8")
	966 144 150	1	Cutting disc for steel, dia. 350/25,4 mm (14"/1.0")
1	966 121 120	1	Cutting disc for masonry, dia. 300/20 mm (12"/0.8")
	966 141 120	1	Cutting disc for masonry, dia. 350/20 mm (14"/0.8")
	966 144 120	1	Cutting disc for masonry, dia. 350/25,4 mm (14"/1.0")
3	994 280 250	1	Hex screw M8x25
4	965 300 470	1	V-belt
5	963 601 120	1	Suction head
6	010 114 091	1	Tank cap, compl. (fuel)
8	394 173 020	1	Inner filter
9	394 173 010	1	Air filter insert (paper cartridge)
10	326 173 080	1	Pre-filter (foam)
11	965 603 021	1	Spark plug
12	122 164 010	1	Starter cable $\varnothing 4,0 \times 1000$ mm
13	001 161 020	1	Starter grip
14	394 163 020	1	Return spring in housing
15	923 208 004	2	Hexagonal nut M8
16	941 719 140	1	Universal wrench SW 13/19
17	940 827 000	1	Offset screwdriver T27
18	944 340 001	1	Screwdriver (carburetor)
19	394 174 140	1	Spark arrester screen cpl.

Accessories (not delivered with the Power Cut)

Diamond cutting disc

12"/0.8"

22	966 221 020	1	Concrete Standard, dia. 300/20 mm
22	966 321 020	1	Concrete DiaDuran, dia. 300/20 mm
22	966 221 010	1	Asphalt Standard, dia. 300/20 mm
22	966 321 010	1	Asphalt DiaDuran, dia. 300/20 mm

14"/0.8"

22	966 241 020	1	Concrete Standard, dia. 350/20 mm
22	966 341 020	1	Concrete DiaDuran, dia. 350/20 mm
22	966 241 010	1	Asphalt Standard, dia. 350/20 mm
22	966 341 010	1	Asphalt DiaDuran, dia. 350/20 mm

14"/1.0"

22	966 244 020	1	Concrete Standard, dia. 350/25,4 mm
22	966 344 020	1	Concrete DiaDuran, dia. 350/25,4 mm
22	966 244 010	1	Asphalt Standard, dia. 350/25,4 mm
22	966 344 010	1	Asphalt DiaDuran, dia. 350/25,4 mm

-	394 228 121	1	Adapter ring, dia. 0.8"/1.0" (20/25,4 mm)
---	-------------	---	---

24	010 114 081	1	Angle fuel-tank filler neck, cpl.
----	-------------	---	-----------------------------------

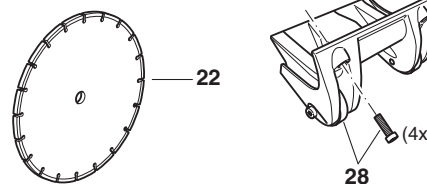
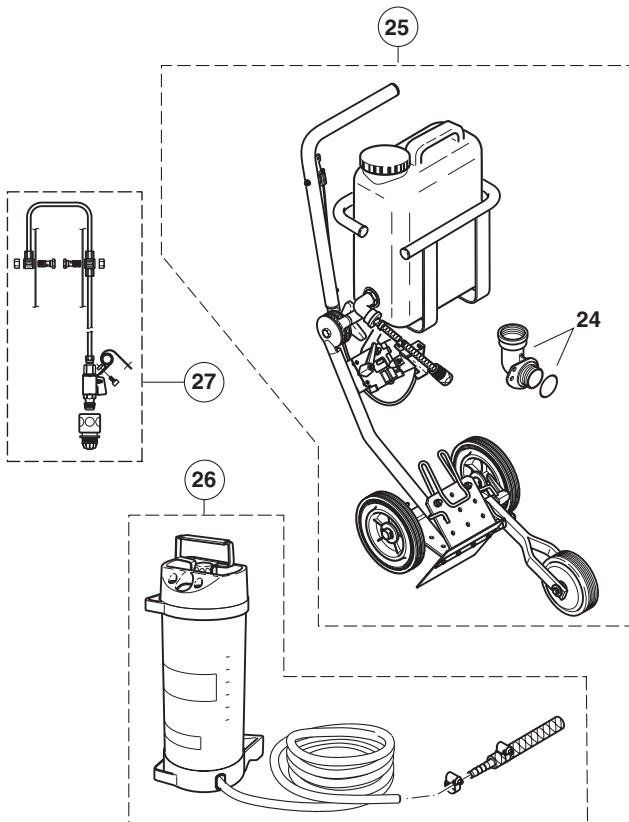
25	700 394 322	1	Guide trolley PT-2000 cpl.
----	-------------	---	----------------------------

26	957 802 200	1	Pressure water tank, cpl.
----	-------------	---	---------------------------

27	394 365 330	1	Mains water connection, cpl.
----	-------------	---	------------------------------

28	394 114 270	1	Stand with rollers, compl.
----	-------------	---	----------------------------

-	949 000 035	1	Combined can (for 5l fuel, 2.5l oil)
---	-------------	---	--------------------------------------



EMISSIONS COMPONENT DEFECT WARRANTY COVERAGE

DOLMAR U.S.A, Inc garantit à l'acheteur au détail initial et à chaque propriétaire ultérieur que cet équipement utilitaire est conçu, construit et équipé en conformité, à la date d'achat initiale, à toutes réglementations applicables de l' U.S. Environmental Protection Agency (Agence de protection environnementale des Etats-Unis) et que le moteur est exempt de tout défaut de matériaux et de main d'œuvre susceptible de le rendre non conforme aux réglementations de l'EPA pendant sa durée de garantie.

Pour les composants figurant sous PIECES COUVERTES, le concessionnaire agréé par DOLMAR fera gratuitement le diagnostic nécessaire, la réparation ou le remplacement de façon à ce que le moteur soit conforme aux réglementations applicables de l'US EPA.

PERIODE DE GARANTIE POUR LES DÉFAUTS DE COMPOSANTS D'ÉMISSION

La période de garantie pour ce moteur commence à la date où il a été vendu à l'acheteur initial et continue pendant une période de 2 ans.

PIECES COUVERTES

Les pièces figurant ci-dessous sont couvertes par la garantie concernant les défauts de composants d'émission. Certaines pièces figurant ci-dessous peuvent nécessiter une maintenance planifiée et sont garanties jusqu'au premier point de remplacement prévu pour cette pièce.

Système de dosage de combustible

Carburateur et pièces internes
Filtre à carburant, si applicable
Obturbateur d'étrangleur, si applicable
Système de starter, si applicable

Système d'allumage

Bougies d'allumage
Volant magnétique
Bobine d'allumage

Système à induction d'air

Plaque d'épuration d'air, filtre à air
Boîte d'épuration d'air, manchon de jonction

Unités diverses utilisées dans les systèmes ci-dessus

Tuyaux d'essence, brides et joints d'étanchéité

OBTENTION DU SERVICE DE GARANTIE

Pour obtenir le service de garantie, apportez la machine au le service SAV agréé par DOLMAR et fournir la preuve d'achat indiquant la date d'achat de cette machine. Le concessionnaire SAV agréé par DOLMAR effectuera les réparations ou réglages nécessaires en un temps raisonnable et vous remettra une copie de la commande de réparation. Toutes les pièces et tous les accessoires remplacés sous cette garantie deviendront la propriété de DOLMAR.

CE QUI N'EST PAS COUVERT

- Dommages dus à une manipulation impropre, usage incorrect, ajustage inadéquat (à moins qu'ils étaient effectués par le concessionnaire SAV agréé par DOLMAR pendant une réparation de garantie), altération, accident, défaut d'utiliser l'essence et l'huile recommandée ou le fait de n'avoir pas effectué les services d'entretien nécessaires.
- Les pièces de rechange utilisées pour les services d'entretien nécessaires
- Dommages consécutifs comme perte de temps, désagréments, perte due à la non-utilisation de la machine ou de l'équipement etc.
- Frais de diagnostic et d'inspection n'aboutissant pas à la réalisation d'un service de garantie
- Toute pièce de rechange non-autorisée, ou mauvais fonctionnement de pièces autorisées dû à l'utilisation de pièces non-autorisées.

RESPONSABILITÉS DE GARANTIE DU PROPRIÉTAIRE

En tant que propriétaire de la machine, vous êtes tenu responsable de l'exécution de la maintenance requise indiquée dans le manuel du propriétaire. DOLMAR recommande de conserver toutes les quittances couvrant l'entretien de votre machine, car DOLMAR ne peut pas refuser la garantie seulement à cause du manque de quittances ou parce que vous avez manqué à assurer la réalisation de toute la maintenance prévue. En tant que propriétaire de la machine, vous devez toutefois être conscient que DOLMAR peut refuser la couverture de la garantie si votre machine ou une partie de celle-ci est défectueuse à cause d'abus, de négligence, de maintenance inadéquate ou de modifications non autorisées. Vous avez la responsabilité de présenter votre machine au concessionnaire SAV agréé par DOLMAR le plus proche en cas de problème. Pour toute question concernant vos droits de garantie et responsabilités, n'hésitez pas à contacter le Département de Service de Garantie DOLMAR à 1-888-OPE-PART.

CHOSSES À SAVOIR CONCERNANT LA GARANTIE DU SYSTÈME DE CONTRÔLE D'ÉMISSION :

MAINTENANCE ET RÉPARATIONS

Vous êtes responsable de la maintenance adéquate de la machine. Vous devez conserver tous les reçus et les rapports d'entretien concernant la réalisation de l'entretien régulier en cas de problèmes. Ces reçus et rapports d'entretien doivent être transmis à tout propriétaire suivant de la machine. DOLMAR se réserve le droit de refuser la couverture de garantie si la machine n'a pas été entretenue convenablement. Les réclamations faites au titre de la garantie ne seront pas refusées, à moins que la maintenance requise n'ait pas été effectuée ou que les rapports d'entretien n'aient pas été conservés.

LA MAINTENANCE, LE REMPLACEMENT ET LA RÉPARATION D'UNITÉS DE CONTRÔLE D'ÉMISSION DOIVENT ÊTRE EFFECTUÉS PAR UNE PERSONNE QUELCONQUE OU TOUT ÉTABLISSEMENT DE RÉPARATION ; TOUTEFOIS, LES RÉPARATIONS SOUS GARANTIE DOIVENT ÊTRE RÉALISÉES PAR UN CONCESSIONNAIRE SAV AGRÉÉ PAR DOLMAR. L'UTILISATION DE PIÈCES NON EQUIVALENTES SUR LE PLAN PERFORMANCE ET DURABILITÉ AUX PIÈCES AUTORISÉES PEUT PORTER ATTEINTE À L'EFFICACITÉ DU SYSTÈME DE CONTRÔLE D'ÉMISSION ET PEUT AVOIR UNE IMPORTANCE SUR LE RÉSULTAT D'UNE RÉCLAMATION FAITE AU TITRE DE LA GARANTIE.

Si des pièces autres que celles agréées par DOLMAR sont utilisées pour des remplacements d'entretien ou pour la réparation de composants concernant le contrôle d'émission, vous devez vous assurer que ces pièces sont garanties par leur constructeur comme étant équivalentes aux pièces autorisées par DOLMAR dans leur performance et durabilité.

COMMENT FAIRE UNE RÉCLAMATION

Toutes les réparations tombant sous cette garantie limitée doivent être effectuées par un concessionnaire SAV autorisé par DOLMAR. Au cas où une pièce relative aux émissions s'avère être défectueuse pendant la durée de garantie, vous devez prévenir le Département de Service de Garantie DOLMAR à 1-888-OPE-PART et vous serez informé par le concessionnaire garantie SAV ou des prestataires de service où la réparation sous garantie peut être effectuée.

Nous vous remercions de votre confiance!

La découpeuse moderne de DOLMAR vous a convaincu à l'achat. La DOLMAR GmbH, Hambourg, est le doyen parmi les fabricants de découpeuses à essence (1927) sur le plan mondial et dispose par conséquent d'une longue expérience dans le domaine des appareils portatifs à moteur à essence. Comme des tronçonneuses DOLMAR, les découpeuses DOLMAR sont équipées de moteurs haute puissance spécialement construits à cet effet présentant un rapport puissance / poids excellent, donc une puissance moteur élevée pour un poids faible. Autres avantages des découpeuses DOLMAR:

- construction robuste et haute fiabilité.
- allumage électronique nécessitant aucun entretien, protégé hermétiquement contre la poussière et l'humidité.
- amortissement des vibrations selon le système 2 masses DOLMAR (D2M) garantissant un travail sans fatigue même pour un appareil portatif.
- Système de filtre à air à cinq niveaux pour un fonctionnement fiable même en cas d'important dégagement de poussières.
- deux possibilités de montage du disque à découper: en position moyenne pour le balancement optimal de l'appareil portatif ou en position latérale pour des coupes effectuées près de murs ou en bordures de routes ou horizontal directement au-dessus du sol.
- accessoires complets en disques à découper à liant en résine synthétique et revêtus de diamant ainsi que chariots de guidage avec collecteurs de poussières et différents systèmes d'amenée d'eau vers le disque à découper.

Dans l'appareil ont été observés les droits de protection suivants:

US 08510690, SE 95027298, SE 95027306, IT 95000653, IT 95000654, GBM 9412558, GBM 9412559.

Notre plus grande attente est que vous soyez un client DOLMAR satisfait.

Afin de garantir en permanence un fonctionnement optimal de votre découpeuse DOLMAR et d'assurer votre sécurité personnelle, nous vous demandons de:

Lire attentivement ce manuel d'instructions et de sécurité avant la première mise en route et veuillez observer avant tout les prescriptions de sécurité! La non-observation de ces instructions risque d'entraîner des blessures mortelles!



ATTENTION!

Certaines poussières produites pendant le décapage au sable, le sciage, l'affûtage, le perçage et pendant d'autres travaux de coupe de matériaux, contiennent des substances chimiques qui peuvent causer le cancer, des difformités de naissance ou d'autres conséquences ultérieures dues à la concentration dans le corps (Californie, Etats-Unis).

Quelques exemples de ces substances chimiques:

- plomb provenant de peintures à base de plomb
- silicate cristallisé venant de briques, du ciment et d'autres produits de maçonnerie
- arsenic et chrome provenant de bois traité chimiquement

Le risque dépend de la fréquence des travaux indiqués avec ces substances chimiques. Pour réduire votre exposition à ces substances chimiques: Ne travailler uniquement que qu'à des endroits bien aérés, et avec l'équipement de protection approuvé tel que le masque anti-poussières conçu pour filtrer les micro-particules.

La période de conformité relative aux émissions indiquée sur le label de conformité à la réglementation relative aux émissions indique le nombre d'heures de service pendant lesquelles le moteur s'est avéré répondre aux exigences d'émissions nationales. Catégorie C=50 heures, B=125 heures, et A=300 heures.

Sommaire	Page
Emballage	33
Etendue de la fourniture	34
Symboles	34

INSTRUCTIONS DE SÉCURITÉ

Utilisation conforme aux prescriptions	35
Instructions générales	35
Équipement de protection personnel	35-36
Produits de fonctionnement / Remplissage des réservoirs	36
Mise en route	36
Disques à découper	37
Rebond (Klickback) et freinage	38
Comportement et technique de travail	38
Découper les métaux	39
Découper pierre, béton, amiante ou asphalte	39-40
Transport et stockage	40
Maintenance	41
Premier secours	41

Caractéristiques techniques	42
Désignation des pièces	42

MISE EN ROUTE

Montage du disque à découper	43
Tendre la courroie / Contrôler la tension	44
Montage du système à eau sous pression	44-45
Carburants / ravitaillement	45-46
Démarrer le moteur	47
Démarrage à froid	47
Démarrage à chaud	48
Arrêter le moteur	48

Réglage du carburateur	49
------------------------------	----

TRAVAUX DE MAINTENANCE

Remplacer la courroie	50
Nettoyer le capot de protection	51
Nettoyer / remplacer le filtre à air	51-52
Remplacement de bougie	52
Remplacement de la crépine d'aspiration	53
Remplacement du cordon de lancement	53-54
Remplacement du ressort de rappel	54
Indications de maintenance et d'entretien périodiques	58

Dispositif de coupe en position médiane / position extérieure	55-56
Démonter le dispositif de coupe	55-56
Changement / nettoyage du pare-étincelles	56

ACCESSOIRES SPECIAUX

Disques à découper au diamant, chariot de guidage, réservoir à eau et conduite d'eau sous pression	57
--	----

Service d'atelier, pièces de rechange et garantie	58-59
---	-------

Recherche de pannes	59
---------------------------	----

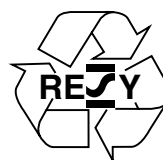
Extrait de la liste des pièces de rechange	60
Accessoires	60

Liste d'ateliers spécialisé	92
-----------------------------------	----

Emballage

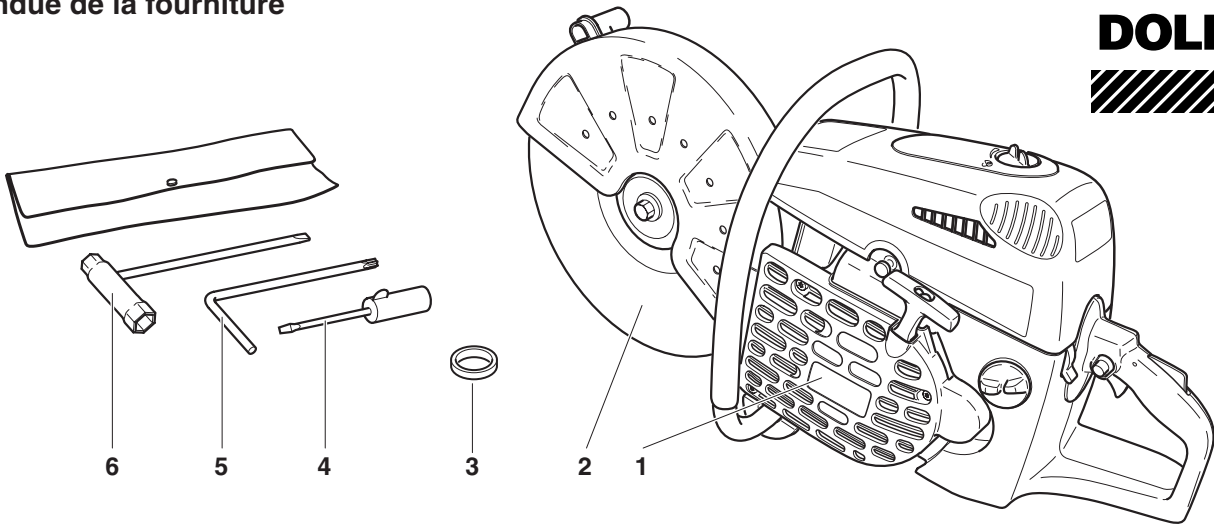
Votre découpeuse DOLMAR est emballée dans un carton pour éviter tout dommage durant le transport.

Les cartons sont des matières premières recyclables, ils peuvent donc être remis dans le cycle de la matière première (réutilisation des vieux papiers).



Etendue de la fourniture

DOLMAR



1. Découpeuse
2. Disque à découper
3. bague d'adaptation 0.8"/1.0" (pas toujours fournie, en fonction du pays)
4. Tournevis (pour carburateur)
5. Tournevis coudé
6. Outillage de montage 13/19
7. Notice d'emploi (sans illustration)

Si un des composants indiqués ici ne devait pas être dans la fourniture, veuillez vous adresser à votre vendeur!

Symboles

Vous rencontrerez les symboles suivants sur l'appareil et dans les instructions d'emploi:

	Lire instructions d'emploi et suivre les consignes de sécurité et d'avertissement!		Commutateur combiné Marche/Arrêt (E/S), starter
	Danger et attention particuliers!		Verrouillé
	Interdit!		Déverrouillé
	Porter le casque, les lunettes et acoustiques de protection!		Appuyer sur la soupape de décompression
	Porter des gants de protection!		Démarrer le moteur
	Porter l'appareil de respiration!		Marche hivernale
	Interdiction de fumer!		Arrêter le moteur!
	Pas de feu ouvert!		Attention, Rebond (kickback)!
	Sens de rotation du disque à découper		Mélange carburant
	Attention: vitesse périphérique max. de la disque à découper 80 m/s!		Premier secours
	Dimensions du disque à découper		Recyclage
	Ne jamais utiliser de lames de scie circulaires !		

INSTRUCTIONS DE SÉCURITÉ

Utilisation conforme aux prescriptions

Découpeuse

La découpeuse ne doit être utilisée en plein air que pour découper / tronçonner des matériaux adéquats au moyen du disque à découper autorisé pour l'appareil.

Méthode de travail non-autorisée :

Les disques à découper de la découpeuse ne doivent pas être utilisés pour affûter (attaque du matériau avec la surface latérale du disque à découper). Le disque à découper risque de se casser !

Il est interdit de monter des lames de scie, des dispositifs de coupe, des brosses etc. sur la découpeuse.

Utilisateurs non-autorisés :

Les personnes qui ne se sont pas familiarisées avec le manuel d'utilisation, les enfants et adolescents, et les personnes sous l'effet de l'alcool, de drogues et de médicaments ne sont pas autorisées à utiliser l'appareil.

Instructions générales

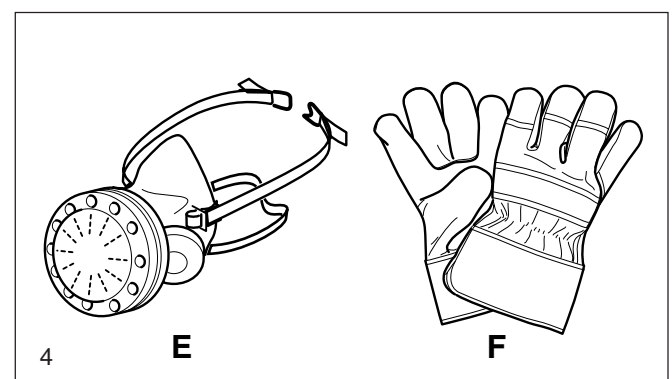
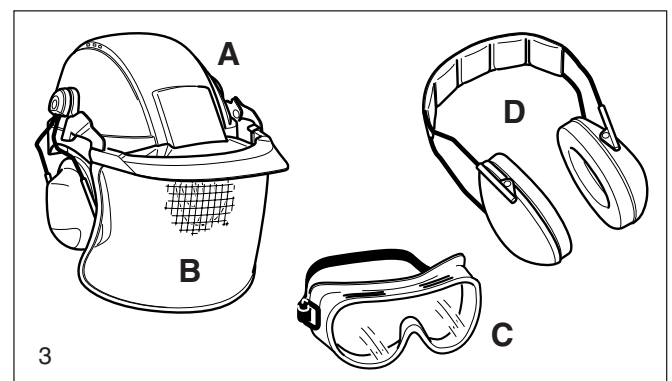
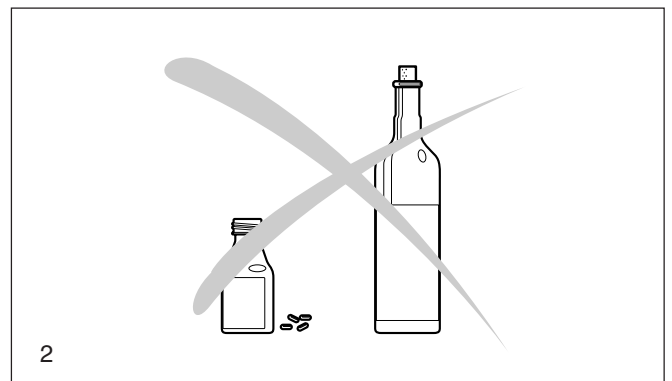
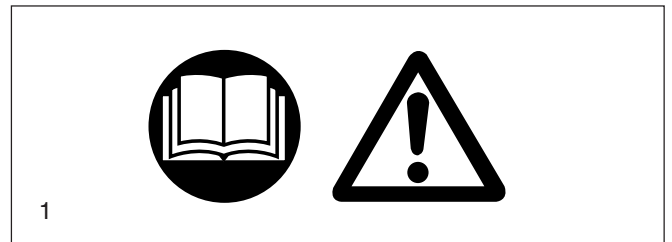
- **Pour pouvoir manipuler l'appareil en toute sécurité, l'utilisateur devra lire impérativement les présentes instructions d'emploi (même si celui-ci a déjà travaillé avec une découpeuse)** de manière à se familiariser avec le maniement de cette découpeuse. Par une utilisation inadéquate, des serveurs insuffisamment informés et formés présentent un danger pour eux-mêmes et pour d'autres personnes.
- Ne prêter uniquement la découpeuse qu'à des utilisateurs ayant déjà manipulé une découpeuse. Les instructions d'emploi doivent être transmises à cette fin.
- Nous conseillons aux utilisateurs novices de consulter un spécialiste de manière à se familiariser avec les caractéristiques de la découpe assurée par moteur.
- Les enfants et adolescents âgés de moins de 18 ans ne sont pas autorisés à se servir de la découpeuse. Les adolescents au-dessus de 16 ans sont exemptés de cette interdiction que, si pour des besoins de formation, ils sont sous la direction d'un professionnel.
- Le travail avec la découpeuse exige une grande attention.
- Ne travailler qu'en bonne condition physique. Une fatigue, par exemple, peut conduire à un inattention. Il faut particulièrement faire attention à la fatigue de la fin de journée de travail. Exécuter tous les travaux tranquillement et avec prudence. Le serveur est d'autre part responsable par rapport à des tiers.
- Ne jamais travailler sous l'effet de l'alcool, de drogues, de médicaments ou d'autres substances risquant d'affecter la vue, l'aptitude ou les réflexes.
- Avoir un extincteur sous la main en cas de travaux dans un végétation facilement inflammable ou par temps de sécheresse (Danger d'incendie).
- Le découpage de l'amiante ou de substances susceptibles de dégager des gaz toxiques ne doit être effectué qu'après en avoir fait la demande et sous la surveillance des autorités compétentes en la matière ou de la personne chargée de ce travail tout en recourant aux mesures de sécurité indispensables.
- L'utilisation de dispositifs anti-poussières est vivement conseillée (cf. Chapitre Accessoires, Réservoir à eau sous pression, réservoir à eau).

Équipement de protection personnel

- **Pour éviter lors du découpage des blessures à la tête, aux yeux, aux mains, aux pieds, ainsi qu'une baisse de l'audition, il faut porter les équipements et moyens de protection corporels suivants.**
- Les vêtements doivent s'appliquer judicieusement au corps sans toutefois présenter une gêne. Les vêtements dans lesquels des grains de matériau peuvent pénétrer (par exemple pantalon à ourlet, vestes ou pantalons dont les poches sont ouvertes etc.) ne peuvent être portés notamment lors du découpage de métal.
- Ne pas porter de bijoux ou de vêtements pouvant se coincer ou gêner l'utilisateur pendant le découpage.
- Porter pour l'ensemble des travaux un **casque de protection**

(A). Le casque de protection doit régulièrement être vérifié s'il n'est pas endommagé et il doit être échangé au plus tard après 5 ans. N'utiliser que des casques agréés.

- Le **masque** (B) du casque stoppe la poussière d'abrasion et les grains de matériau. Pour éviter toute blessures des yeux et du visage, un masque ou des **lunettes de protection** (C) ou doivent être portées pendant l'utilisation de la découpeuse.
- Pour éviter des dommages auditifs, il faut porter des **moyens de protection acoustiques** personnels appropriés (casque protège-oreilles (D), capsules, ouate à la cire, etc.). Analyse par bandes d'octaves sur demande.
- Le découpage à sec de matériau pierreux produisant de la fine poussière (pierre, béton etc.) exige impérativement le port d'un **appareil respiratoire** (E) conforme aux prescriptions.
- Des **gants de travail** (F) en cuir résistant font partie de l'équipement réglementaire et doivent être portés en permanence lors de l'utilisation de la découpeuse.



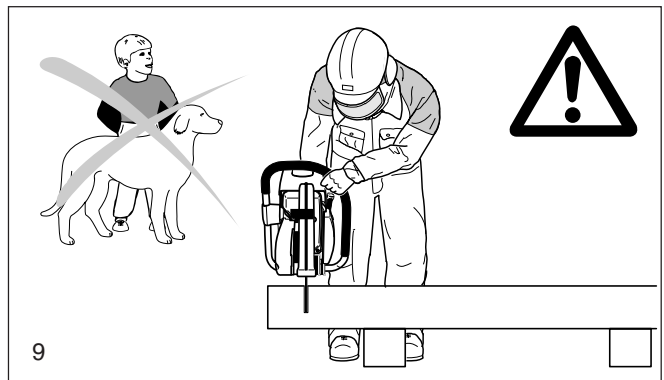
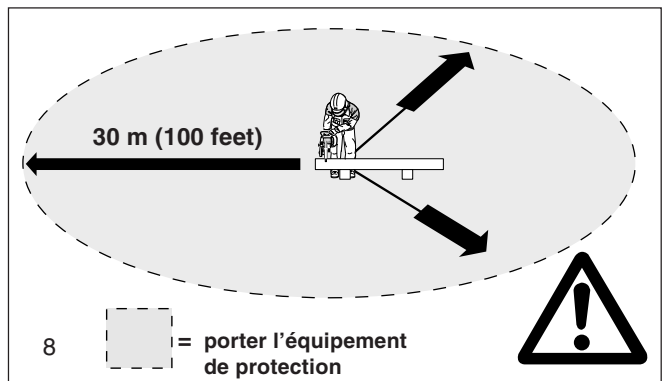
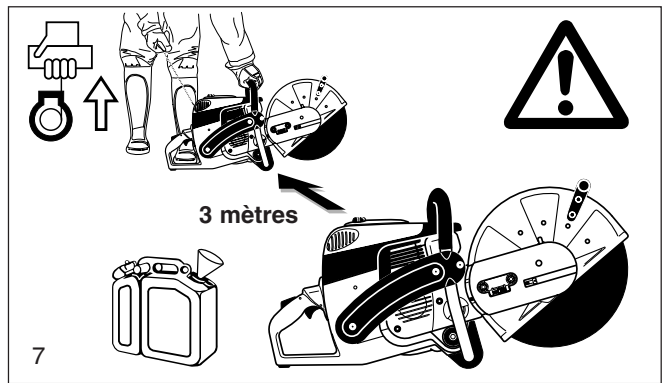
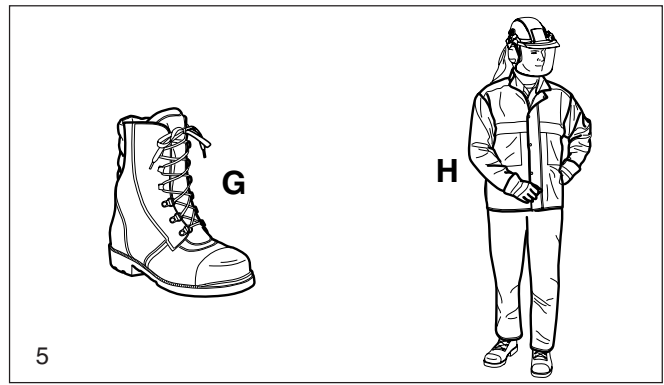
- Des **gants ou des bottes de sécurité** (G) à semelle crantée, une casquette en acier et un protège-jambe doivent être portés pendant l'utilisation de la découpeuse. Les chaussures de sécurité avec des recouvrements anti-coupure offre une protection contre des blessures par coupure et assurent une assise sûre.
- Toujours porter pour tous les travaux une **salopette de travail** (H) en matière solide et suffisamment ignifuge.

Produits de fonctionnement / Remplissage des réservoirs

- Avant de remplir le réservoir d'essence, chercher un endroit sûr et plat. **Remplir le réservoir sur un échafaudage ou une pile de matériaux ou objet similaire est interdit!**
- Avant de remplir le réservoir d'essence de la découpeuse, arrêter le moteur.
- Interdiction de fumer, et éviter tout feu ouvert à proximité (6).
- Avant de remplir le réservoir, laisser refroidir l'appareil.
- Les carburants peuvent contenir des substances assimilables à des dissolvants. Eviter de rentrer en contact avec la peau et avec les yeux avec les produits pétroliers. Lors du remplissage, porter des gants (non pas les gants de travail). Changer souvent de vêtements de protection et les nettoyez. Ne pas respirer des vapeurs de carburants. La respiration de vapeurs de carburant peut entraîner des dommages corporels.
- Ne jamais répandre du carburant. Si du carburant a été versé à côté, nettoyer immédiatement la découpeuse. Ne pas mettre le carburant en contact avec les vêtements. Si du carburant est déversé sur les vêtements, changer immédiatement de vêtement.
- Veillez à ce que du carburant ne pénètre dans le sol (protection de l'environnement). Utiliser des substrats adéquats.
- Ne pas faire le plein dans un local fermé, les vapeurs des carburants s'amassent au sol (danger d'explosion).
- Bien fermer les couvercles du réservoir à essence.
- Pour démarrer la découpeuse, changer d'emplacement (au moins 3 mètres de l'endroit où le remplissage a été effectué) (7), non pas dans la prolongation de la zone de pivotement (sens de projection des étincelles) du disque à découper.
- Les carburants ne peuvent pas être stockés infiniment. N'acheter que la quantité nécessaire couvrant un temps de marche prévisible.
- Lorsque vous effectuez le mélange essence-huile, remplir d'abord l'huile et ensuite l'essence dans le bac de mélange.
- Ne transporter et ne stocker le carburant que dans des nourrices agréés et portant les indications nécessaires.
- **Ne jamais laisser le carburant à la portée des enfants.**

Mise en route

- **Ne jamais travailler tout seul, en cas d'urgence quelqu'un doit être à proximité** (portée de la voix).
- Respecter les règlements en matière de protection contre les bruits lors de l'utilisation de la découpeuse dans des zones d'habitation.
- **La découpeuse ne doit pas être utilisée à proximité de matières combustibles ou de gaz explosifs. Il y a risque de formation d'étincelles.**
- S'assurer que les personnes se trouvant à moins de 30 m (100 feet) de l'emplacement de travail (par ex. aides) portent un équipement de protection (voir „Equipement de protection personnel“) (8). Les enfants ou autres personnes doivent respecter une distance minimale de 30 m (100 feet) de la zone de travail de la découpeuse. Attention également aux animaux (9).
- **Avant le début du travail, contrôler le fonctionnement parfait et l'état réglementaire de fonctionnement des sécurités de la découpeuse.**
Vérifier notamment l'état du disque à découper (remplacer immédiatement les disques fissurés, endommagés ou déformés), contrôlez si le disque à découper est bien monté, le capot de protection enclenché, la protection de courroie bien fixée, la courroie tendue correctement. Vérifiez également si le levier de gaz, le verrouillage de levier de gaz et le commutateur combiné fonctionnement correctement et si les poignées sont propres et sèches (Marche/Arrêt (E/S), starter).
- Ne mettre la découpeuse qu'en service après l'avoir complètement assemblée et vérifiée. En principe, la découpeuse ne doit être utilisée qu'à l'état complètement monté.



Disques à découper

- Le capot de protection doit toujours être monté. Ne remplacer le disque à découper que lorsque le moteur est éteint!
- Il y a deux types de disques à découper:
 - pour le métal (coupe à chaud)
 - pour le béton (coupe à froid)

REMARQUE: Lorsque vous utilisez des disques à découper au diamant, respecter impérativement la marque du sens de rotation indiquée. Les disques à découper au diamant ne conviennent pas pour le traitement du métal.

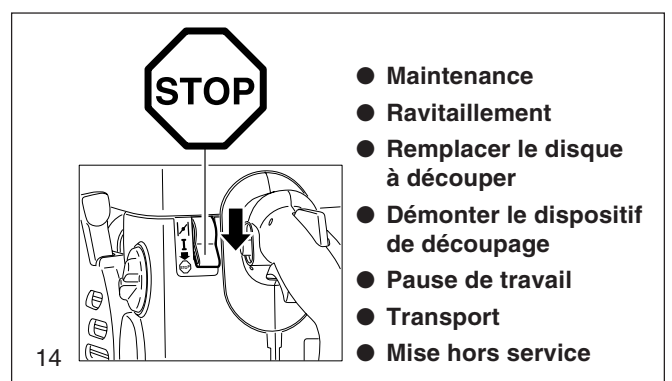
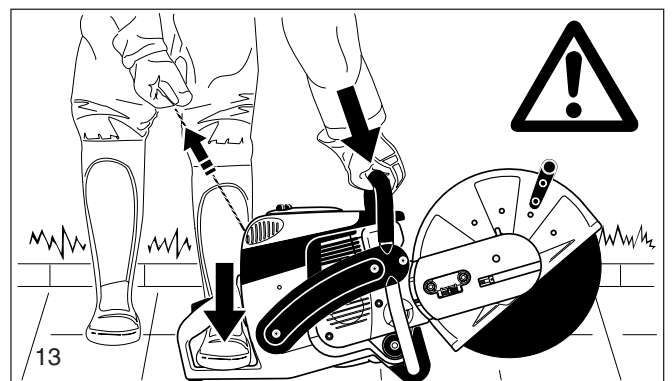
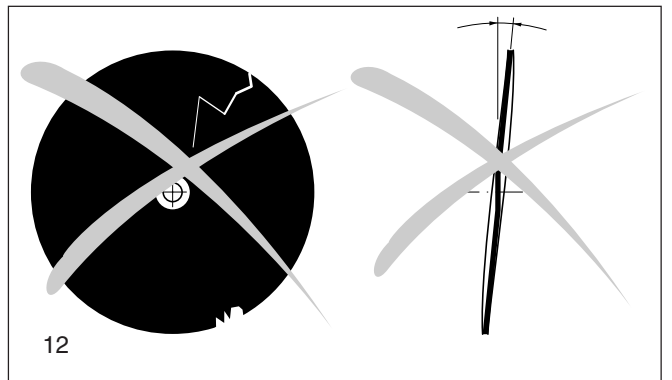
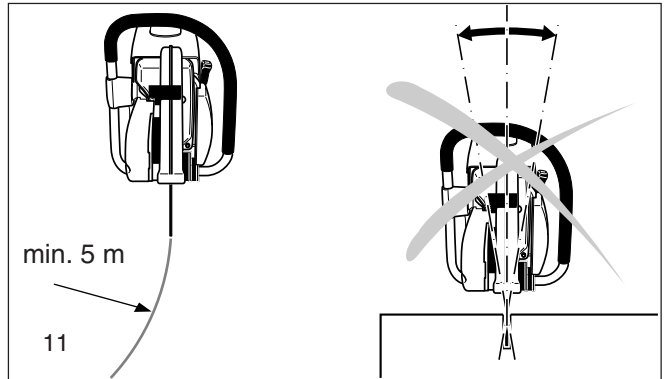
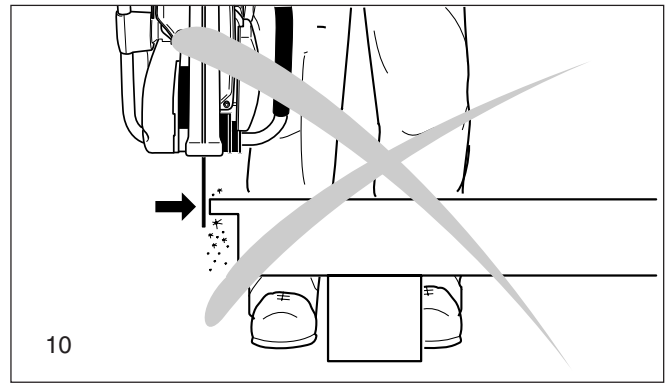
- Les disques à découper ne sont conçus qu'en vue d'un effort radial pour la coupe. Il est interdit d'utiliser les faces latérales du disque pour poncer. Attention: risque de rupture! (10)

Attention! Il est interdit de changer de sens (rayons inférieurs à 5 m (16 feet)), d'appuyer latéralement sur la découpeuse ou de la basculer pendant le découpage (11)!

- Les disques à découper ne doivent être utilisés que pour tronçonner les matériaux prédéfinis. Le type de disque correspondant doit être sélectionné en fonction du matériau (métal ou béton).
- Le diamètre intérieur du disque à découper doit exactement correspondre à l'arbre. Si le diamètre intérieur est plus grand, il doit être compensé avec une bague d'adaptation (disponible en option).
- Les disques à découper doivent être autorisés pour les coupes à main levée avec des diamètres de disque de 350 mm jusqu'à 4370 t/min ou bien 80 m/s ou avec des diamètres de disque de 300 mm jusqu'à 5100 t/min. ou bien 80 m/s. Les disques utilisables doivent répondre aux normes EN 12413, EN 13236 ou BGV D 12.
- Le disque à découper doit être en parfait état (12).

Serrer toujours la vis de fixation du disque à découper à 30 Nm sinon risque de torsion du disque.

- Avant de démarrer, le guide de la découpeuse doit prendre une position stable.
- Ne démarrer la découpeuse que selon les instructions indiquées dans la notice d'emploi (13). Poser toujours le pied droit gauche la poignée et entourer la poignée avec le pouce. D'autres techniques de lancement ne sont pas autorisées.
- Lors de la mise en route, la machine doit être solidement maintenue et supportée. Pour cela, le disque à découper doit être libre.
- Si le disque à découper est neuf, il doit être testé avant le premier découpage au moins pendant 60 secondes à la vitesse maximale indiquée. Pour cela, aucune partie du corps ou personne doit se trouver dans la prolongation de la zone de pivotement du disque à découper.
- **Lors du travail, la découpeuse est à maintenir avec les deux mains.** La main droite maintient la poignée arrière, la main gauche la poignée en forme d'étrier. Bien saisir les poignées avec les pouces.
- **ATTENTION: Dès que l'accélérateur est relâché, le disque à découper tourne à vide pendant une courte durée** (effet de marche à vide).
- Il faut veiller constamment à avoir une bonne assise sûre.
- La découpeuse est à manipuler pour que les gaz d'évacuation ne peuvent pas être inspirés. Ne pas travailler dans des pièces closes ou dans des fossés profonds (risque d'intoxication).
- **Arrêter immédiatement la découpeuse lorsqu'on sent des modifications dans son comportement.**
- **Avant de vérifier la tension de la courroie, pour la retendre, remplacer le disque à découper, ou changer le montage du dispositif de découpe** (position extérieure ou médiane) **et pour recourir à toute panne, il est impératif de mettre le moteur hors service** (14).
- En cas de changement audible ou sensible dans le découpage, arrêter immédiatement le moteur) et vérifier le disque à découper.
- La découpeuse doit être arrêtée pendant les pauses et à la fin du travail (14), elle doit être mise à l'arrêt de façon à ce que le disque soit libre et que personne ne soit en danger.
- Ne pas poser la découpeuse chaude dans de l'herbe sèche ou sur des objets inflammables. Le pot d'échappement rayonne énormément de chaleur (danger d'incendie).
- **ATTENTION:** A l'issue du découpage sous arrosage, arrêter d'abord l'arrosage et ensuite laisser tourner le disque à découper pendant au moins 30 secondes de manière à faire évacuer l'eau et empêcher la corrosion.



Rebond (kickback) et freinage

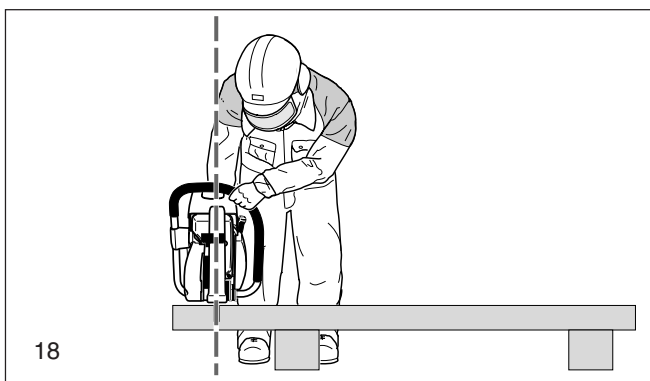
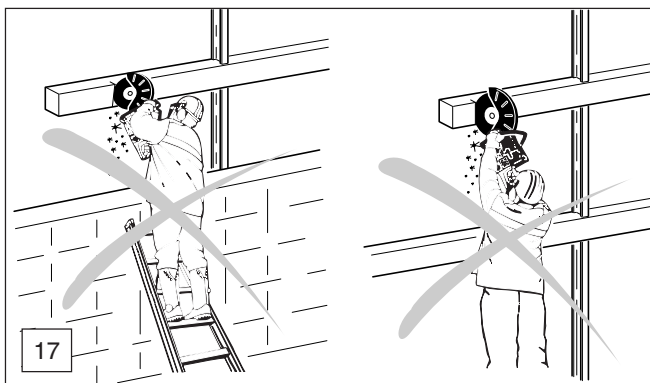
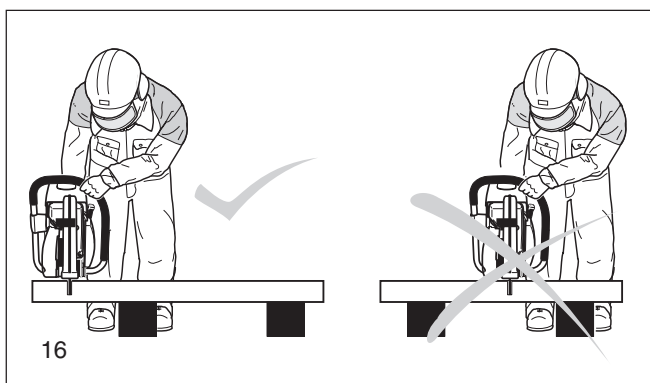
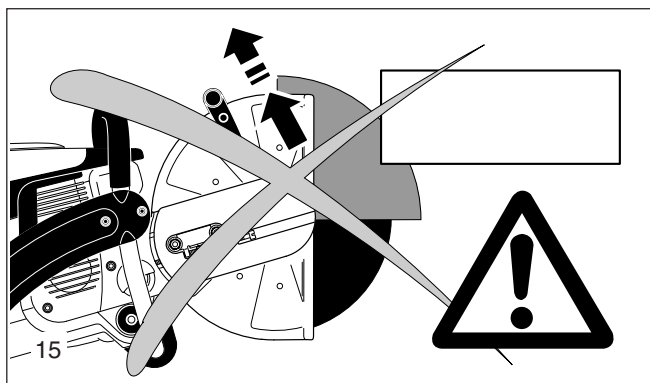
- Un rebond ou freinage dangereux peut se produire en travaillant avec la découpeuse.
- Le rebond se produit lorsque la partie supérieure du disque est utilisée pour découper (15).
- La découpeuse est incontrôlée, accélérée et lancée en avant avec une grande énergie en direction du guide-découpeuse (**risque de blessure!**).

Pour éviter tout rebond, respecter les consignes suivantes:

- Ne jamais tronçonner avec le segment montré sur la figure 15! **Faites très attention lorsque vous découpez dans des entailles!**
- Le freinage se produit quand l'entaille est comprimée (fissure ou pièce sous tension).
- La découpeuse est incontrôlée, accélérée et lancée en avant avec une grande énergie (**risque de blessure!**).
- Pour éviter tout rebond, respecter les consignes suivantes:**
- Toujours découper et réintroduire la lame dans des entailles à plein régime.
- Toujours caler la pièce de manière à ce que l'entaille soit sous tension de traction (16) pour ne pas que le disque à découper ne coince.
- Au début du découpage, toujours approcher le disque à découper avec précaution, sans à-coups.
- Ne jamais tronçonner plusieurs pièces à la fois! Veiller à ce qu'aucune autre pièce ne soit touchée lors du découpage.

Comportement et technique de travail

- Avant de commencer à travailler, vérifier si la zone de travail ne présente aucun risque (câbles électriques, substances inflammables). Délimiter la zone de travail bien distinctement (en utilisant par exemple des panneaux d'avertissement ou des barrages quelconques).
- Utilisez la découpeuse en la tenant correctement par la poignée avant et arrière. Ne jamais laisser la découpeuse sans aucune surveillance!
- Faire fonctionner la découpeuse si possible à haut régime (cf. « Caractéristiques techniques »).
- Ne travailler que sous de bonnes conditions de visibilité et d'éclairage. Faire particulièrement attention en présence de sol glissant, d'humidité, de glace et de neige (danger de glissade).
- Ne jamais travailler sur un fondement instable. Faire attention aux obstacles dans la zone de travail (risque de trébucher). Continuellement veiller à avoir une assise solide et sûre.
- Ne jamais découper au-dessus de la hauteur d'épaule (17).
- Ne jamais découper debout sur une échelle (17).
- Ne jamais travailler avec la découpeuse sur un échafaudage.
- Ne jamais travailler trop penché en avant. Toujours fléchir les genoux en posant ou en prenant la découpeuse. Ne pas se courber.
- Conduire la découpeuse de manière à ce qu'aucune partie du corps ne se trouve dans la prolongation de la zone de pivotement du disque à découper (18).
- Les disques à découper ne doivent être utilisés que pour découper les matières prévues.
- Ne pas utiliser la découpeuse pour enlever et balayer les restes de pièces et autres objets.
- Attention risque de blessure!** Nettoyer la zone de coupe avant le découpage de corps étrangers tels que pierre, clous etc. Ceux-ci peuvent être projetés lors de la coupe et provoquer des blessures.
- Lors du tronçonnement de pièces, utiliser un support stable et le fixer si nécessaire pour ne pas qu'il ne glisse. La pièce ne doit pas être bloquée avec le pied ou par une autre personne.
- Les pièces rondes doivent être impérativement fixées pour ne pas qu'elles se tordent dans la coupe.
- N'utiliser qu'en cas de besoin la découpeuse portable avec dispositif de découpage en position extérieure. La découpeuse avec dispositif de découpage en position médiane a un meilleur équilibre évitant ainsi une fatigue prématurée.



Découper les métaux

ATTENTION!

Porter l'appareil respiratoire réglementaire!

Le découpage de matières pouvant dégager des gaz toxiques ne peut être effectué qu'après en avoir fait la demande et sous la surveillance des autorités compétentes ou de la personne en étant chargée.

ATTENTION!

Les métaux chauffent et fondent par la rotation rapide du disque à découper au point de contact. Orienter le capot de protection le plus possible vers le bas (19) pour diriger la projection d'étincelles le plus possible vers l'avant, dans le sens opposé de l'utilisateur (risque d'incendie élevé).

- Déterminer le tracé de coupe, le marquer et approcher du matériau le disque à découper tournant à vitesse moyenne et continuer à ne tronçonner à plein régime et à pression élevée que lorsqu'une rainure de guidage est entaillée.
- Couper uniquement droit et verticalement, ne pas tenir de travers, sinon le disque risque de se rompre.
- On obtient une coupe optimale et égale en tirant et en faisant aller et venir la découpeuse. Ne pas „pousser“ le disque à découper dans la matière.
- Tronçonner les barres rondes massives de préférence par étapes (20).
- Les tubes minces peuvent être simplement découpés en coupant verticalement.
- Manipuler les tubes de grand diamètre comme les barres massives. Pour éviter de tenir de travers et pour un meilleur contrôle du découpage, ne pas laisser le disque trop pénétrer dans le matériau. Toujours tronçonner à plat tout autour.
- Les disques à découper usés de faible diamètre ont au même régime moins de vitesse périphérique et coupent par conséquent moins bien.
- Tronçonner les supports en double T ou cornières par étapes, voir figure 21.
- On découpe les fers feuillards ou plaques en fer comme les tubes; tirer à plat, avec longue surface de coupe.
- Toujours entailler d'abord le matériau se trouvant sous tension (matériau buté ou emmuré) légèrement sur le côté de poussée et ensuite tronçonner depuis le côté de traction pour ne pas que le disque ne se coince. **Bloquer la pièce à découper de manière à ce qu'elle ne puisse pas tomber!**

ATTENTION:

En cas de crainte de prétension, s'attendre au rebond du matériau et assurer au préalable une possibilité de recul.

Une attention particulière est requise dans les parcs à ferrailles, sur les lieux d'accident ou en cas de piles de matériaux en désordre. Il est difficile de prévoir les réactions d'un matériau se trouvant sous tension, en train de glisser ou de voler en éclats. Bloquer la pièce à découper de manière à ce qu'elle ne puisse pas tomber! Travailler avec la plus grande attention et avec un appareil impeccable.

Respecter les prescriptions en matière d'accidents du travail de la caisse d'assurance mutuelle compétente et de l'assurance.

Découper la pierre, le béton, l'amiante ou l'asphalte

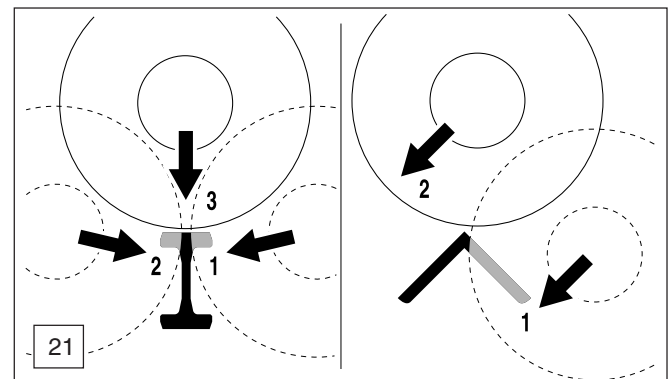
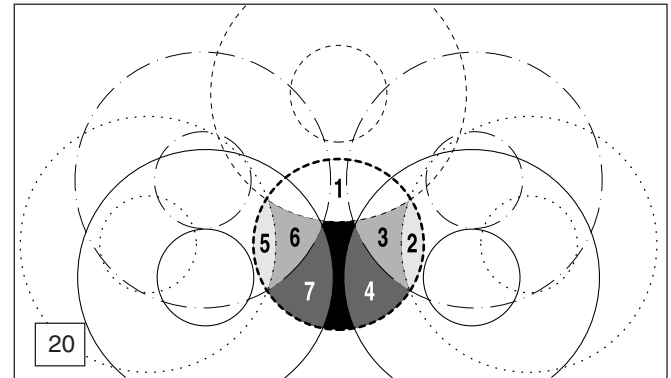
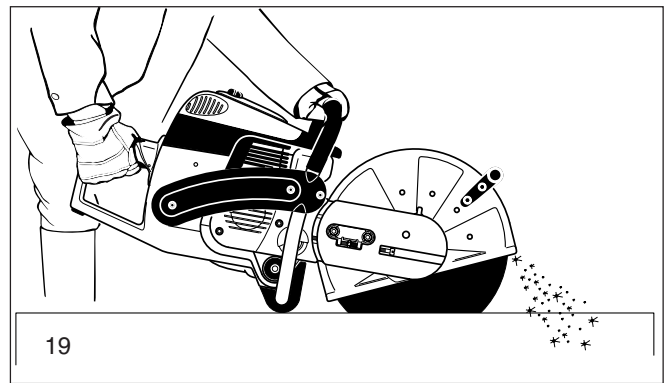
ATTENTION!

Porter l'appareil respiratoire réglementaire!

Le découpage de l'amiante ou de matières pouvant dégager des gaz toxiques ne peut être effectué qu'après en avoir fait la demande et sous la surveillance des autorités compétentes ou de la personne en étant chargée. Pour la coupe de poteaux en béton armés et précontraints, il faut se reporter aux consignes et aux normes fournies par les autorités compétentes ou par le fabricant. Le découpage de barres d'armature doit être exécuté dans l'ordre réglementaire et en respectant les consignes de sécurité correspondantes.

REMARQUE:

L'enduit à mortier, la pierre ou le béton entraînent une très fine poussière lors du découpage. Pour prolonger la durée de vie du



disque à découper (refroidissement), pour un meilleur contrôle visuel et pour éviter un dégagement de poussière excessif, il est préférable de découper au mouillé plutôt qu'à sec. Pour cela, le disque à découper doit être arrosé d'eau de manière égale des deux côtés. Dans la gamme DOLMAR, vous trouverez à toute fin d'utilisation le bon équipement pour le découpage au mouillé (voir également „ACCESSOIRES SPECIAUX“.

- Nettoyer l'endroit de la coupe en éliminant les corps étrangers tels que sable, pierres, clous etc.. **Attention: Faites attention aux câbles électriques!**

Par la rotation rapide du disque à découper, le matériau est arraché au point de contact et projeté en-dehors de la rainure de coupe. Orienter le capot de protection le plus possible vers le bas (23) pour diriger les particules de matériau découpées le plus possible vers l'avant, dans le sens opposé de l'utilisateur.

- Marquer le tracé de coupe et tailler sur toute la longueur une rainure d'env. 5 mm de profondeur à demi-gaz que la découpeuse finira exactement.

REMARQUE:

Pour les longues coupes droites, il est recommandé d'utiliser le chariot de guidage (24, voir également „ACCESSOIRES SPECIAUX“). Celui-ci permet de conduire facilement la découpeuse en ligne droite en déployant peu de force.

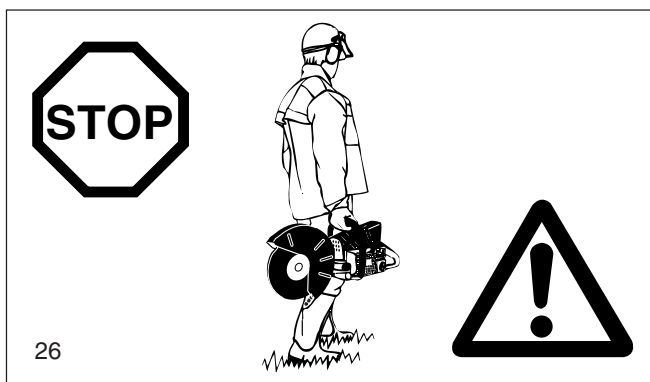
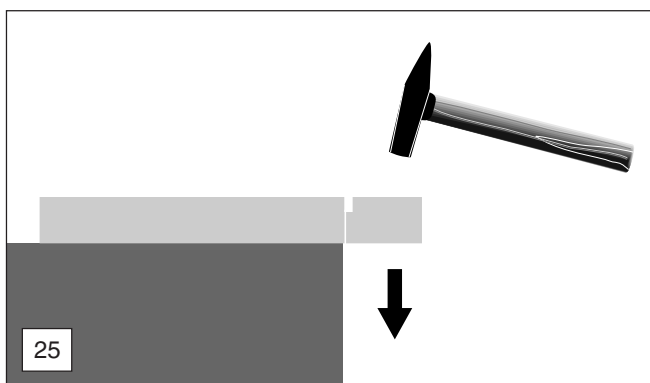
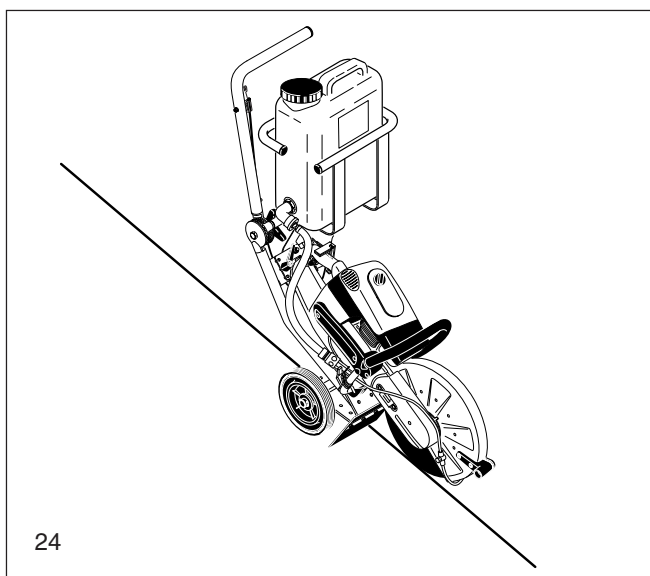
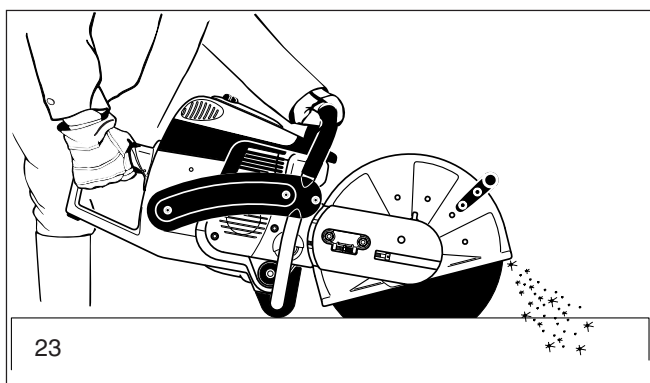
- Le découpage est exécuté par des mouvements de va-et-vient égaux.
- Lors de la pose de plaques de pierre, il suffit de tailler une rainure plate (pour éviter le dégagement de poussière inutile) afin d'enlever proprement le morceau saillant sur un support plat (25).

ATTENTION!

Fixer impérativement le sens de coupe et l'ordre des coupes à effectuer pour des coupes de mise à longueur, ruptures, évidements etc. pour éviter que le morceau découpé ne coince le disque à découper et pour éviter toute blessure par les morceaux qui tombent.

Transport et stockage

- **La découpeuse doit être à l'arrêt lors du transport et lors d'un changement de lieu pendant le travail (26).**
- **Ne jamais porter et transporter la découpeuse pendant que le moteur ou le disque est en marche.**
- Ne porter la découpeuse que par la poignée-étrier. Le disque à découper est orienté vers l'arrière (26). Ne jamais entrer en contact avec le pot d'échappement (risque de brûlure).
- Utiliser une brouette ou un chariot pour le transport sur une distance assez longue.
- Si la découpeuse est transportée par un véhicule automobile, s'assurer que celle-ci soit dans une position sûre pour éviter l'écoulement du carburant. Toujours démonter la découpeuse pour le transport en véhicule automobile.
- Entreposer la découpeuse de manière sûre dans un local sec. Elle ne doit pas être stockée en plein air. Toujours démonter la découpeuse. Ne jamais laisser la découpeuse à la portée des enfants.
- **Avant un entreposage prolongé et avant l'expédition de la découpeuse, suivre impérativement les consignes indiquées dans le chapitre „Consignes de maintenance et d'entretien périodiques“. Vider à chaque fois le carburant et faire tourner le carburateur à vide.**
- Pour l'entreposage des disques à découper, procéder attentivement de manière suivante:
 - nettoyer et bien sécher.
 - toujours stocker à plat.
 - Il est impératif d'éviter l'humidité, le gel, les rayons directs du soleil, les températures élevées ou les variations de température, sinon risque de rupture et d'éclat éventuel!
- **Vérifier avant l'utilisation si les disques à découper neufs ou stockés sont endommagés** et les tester à la vitesse maximale indiquée pendant au moins 60 secondes avant la première coupe en s'assurant qu'aucune partie corporelle ou aucune personne ne se trouve dans la zone de pivotement prolongée du disque à découper.



Maintenance

- **Pour tous les travaux de maintenance, arrêter la découpeuse (27) et retirer la fiche de la bougie!**
- Vérifier avant de commencer à travailler si l'état de la découpeuse est fiable. S'assurer que le disque à découper est monté en fonction des prescriptions. S'assurer que le disque à découper n'est pas endommagé et convient exactement pour l'utilisation prévue.
- La machine doit fonctionner avec le moins de bruit et de gaz d'échappement possibles. Ceci suppose un bon réglage du carburateur.
- Nettoyer régulièrement la découpeuse.
- Vérifier régulièrement si le bouchon du réservoir est étanche.

Respecter les prescriptions de prévoyance contre les accidents de la corporation professionnelle correspondante et de l'assurance. N'effectuer aucune modifications de construction de la découpeuse. Vous risquez votre sécurité.

Les travaux de maintenance et de réparations à exécuter sont limités à ceux précisés dans la notice d'emploi. Tous les autres travaux doivent être effectués par le Service Après Vente de DOLMAR.

N'utiliser que les pièces détachées et accessoires DOLMAR d'origine.

En cas d'utilisation de pièces détachées, accessoires n'étant pas d'origine DOLMAR, il faut s'attendre à un risque d'accident important. DOLMAR ne pourra être tenu responsable en cas d'accidents ou de dommages avec des disques à découper ou accessoires n'étant pas d'origine.

Premier secours

On devra toujours disposer sur le lieu de travail d'une boîte de secours pour le cas d'un éventuel accident. Les produits prélevés doivent immédiatement être remplacés.

Si vous appelez du secours, veuillez indiquer:

- le lieu de l'accident
- ce qui s'est passé
- le nombre de blessés
- le type de blessures
- le nom du demandeur

REMARQUE

Des dériorations au niveau des vaisseaux sanguins ou du système nerveux peuvent se produire chez des personnes souffrant de troubles circulatoires et trop souvent soumises à des vibrations.

Les symptômes pouvant apparaître à la suite de vibrations au niveau des doigts, mains ou articulations sont les suivants: engourdissement de membres corporels, chatouillement, douleurs, points, changement du teint ou de la peau.

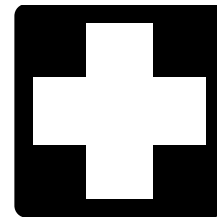
Si ce genre de symptômes apparaissent, consultez un médecin.



27



28



29

Caractéristiques techniques

		PC-6430	PC-6435	PC-7330	PC-7335
Cylindrée	cu in (cm ³)	3.9 (64)		4.5 (73)	
Alésage	in (mm)	1.85 (47)		1.97 (50)	
Course	in (mm)	1.46 (37)		1.46 (37)	
Puissance max.	hp (kW)	4.4 (3.2)		5.6 (4.2)	
Couple max.	Nm	4.0		5.0	
Vitesse de rotation à vide	1/min	2,500		2,500	
Vitesse de rotation d'embrayage	1/min	3,800		3,800	
Régime d'étranglement	1/min	9,350		9,350	
Régime nominal de broche	1/min	4,300		4,300	
Niveau sonore à l'oreille de l'opérateur ¹⁾	dB (A)	97		104	
Niveau sonore à la position de l'assistant (50 pieds) ¹⁾	dB (A)	84		86	
Accélération d'oscillation a _{h,w} selon EN 1454					
- poignée-étrier (Ralenti / régime nominal de broche)	m/s ²	6 / 5		7 / 6	
- poignée (Ralenti / régime nominal de broche)	m/s ²	8 / 6		8 / 7	
Carburateur (à membrane)	Type	TILLOTSON HS-273 A			
Dispositif d'allumage (avec limiteur de vitesse de rotation)	Type	électronique			
Bougie d'allumage	Type	NGK BPMR 7A / BOSCH WSR 6F / CHAMPION RCJ 6Y			
Ecartement électrodes	in (mm)	.020 (0.5)		.020 (0.5)	
Consommation carburant/puissance max. selon ISO 8893	kg/h	1.65		2.1	
Consommation spéc./puissance max. selon ISO 8893	g/kWh	500		500	
Capacité réservoir carburant	fl oz (l)	37 (1.1)		37 (1.1)	
Dosage mélange (carburant/huile 2 temps)					
- avec utilisation huile DOLMAR HP 100		100:1		100:1	
- avec utilisation huile DOLMAR		50:1		50:1	
Disque à découper pour 80 m/s ²⁾	in	12" / 0.8" / 0.2" ³⁾	14" / 0.8" / 0.2" ³⁾	12" / 0.8" / 0.2" ³⁾	14" / 0.8" / 0.2" ³⁾
Disque à découper pour 80 m/s 80 m/s ^{2) 4)}	in		14" / 1" / 0.2" ³⁾		14" / 1" / 0.2" ³⁾
Diamètre de broche	in	0.8"	0.8" / 1.0"	0.8"	0.8" / 1.0"
Courroie (n° DOLMAR)		965 300 470		965 300 470	
Poids de la découpeuse (réservoirs vides, sans disque)	lb	21.38	21.82	21.6	22.04

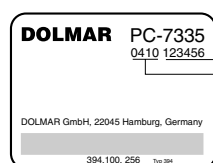
¹⁾ Selon les exigences d'essai UL en pleine charge (coupe concrète).

²⁾ Vitesse périphérique pour régime max.

³⁾ Diamètre extérieur / trou de réception / épaisseur

⁴⁾ En fonction du pays

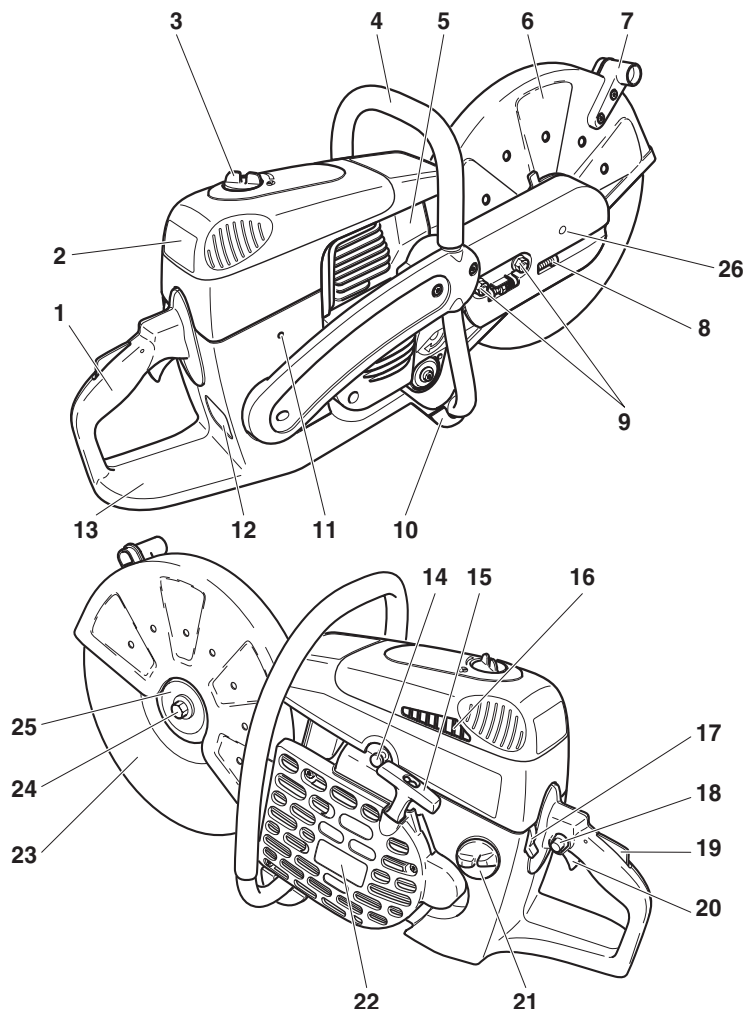
Désignation des pièces



Plaque signatique (12)
à indiquer lors de commande de
pièces de rechange!

Numéro de série
Année de
construction

- 1 Poignée
- 2 Couvercle de filtre pour filtre à air et fiche de bougie
- 3 Pièce de verrouillage du couvercle
- 4 Poignée-étrier
- 5 Silencieux
- 6 Capot de protection
- 7 Poignée
- 8 Vis de réglage pour la tension de courroie
- 9 Erous de fixation
- 10 Pied
- 11 Orifices pour le réglage du carburateur
- 12 Plaque signalétique
- 13 Réservoir avec protège-main
- 14 Soupape de décompression
- 15 Poignée de lancement
- 16 Orifice d'aspiration d'air
- 17 Commutateur combiné «Marche/Arrêt» (E/S), starter
- 18 Bouton d'arrêt pour mi-gaz
- 19 Bouton de blocage pour mi-gaz
- 20 Levier d'accélération
- 21 Couvercle du réservoir (à essence)
- 22 Boîtier du démarreur avec dispositif de lancement
- 23 Disque à découper
- 24 Vis de fixation du disque à découper
- 25 Disque de contrainte
- 26 Ouverture de contre-support



MISE EN ROUTE



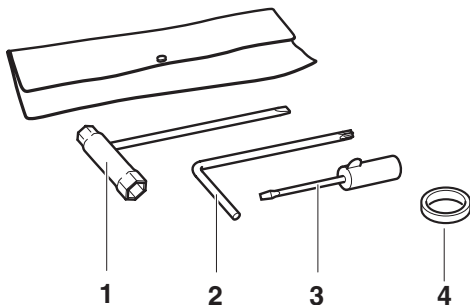
ATTENTION:

Pour tout travail effectué sur la découpeuse, il est **impératif de mettre le moteur hors tension**, de retirer la fiche de la bougie et de porter des gants de protection!

ATTENTION:

La découpeuse ne peut être mise en marche qu'après le montage complet!

A

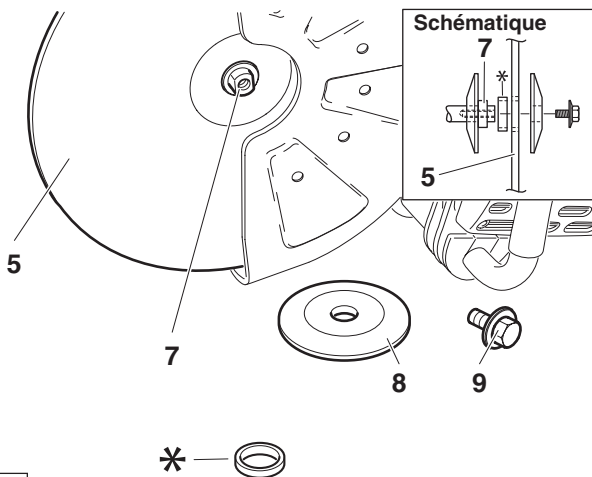


Pour les travaux suivants, utilisez l'outillage compris dans la fourniture:

1. Clé combinée SW 13/19
2. Tournevis coudé
3. Tournevis (pour le réglage du carburateur)
4. Bague d'adaptation (pas toujours fournie)

Poser la découpeuse sur un support stable et effectuer les opérations suivantes pour le montage du disque à découper:

B



Monter le disque à découper

Vérifier si le disque à découper est en bon état, voir **CONSIGNES DE SECURITE** page 37.



Dévisser la vis (9) et retirer le disque de contrainte (8).

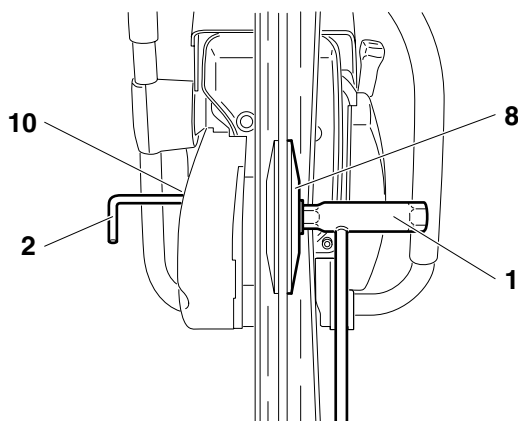
Poser le disque à découper (5) sur l'arbre (7).

Note: Le diamètre intérieur du disque à découper doit correspondre exactement à l'arbre. Si le diamètre intérieur est plus grand, il doit être compensé par une bague d'adaptation (*).



Observer le sens de rotation du disque à découper si marqué sur celui-ci.

C



Poser le disque de contrainte (8) sur l'arbre, visser la vis (C/9) à l'intérieur et la serrer à la main.

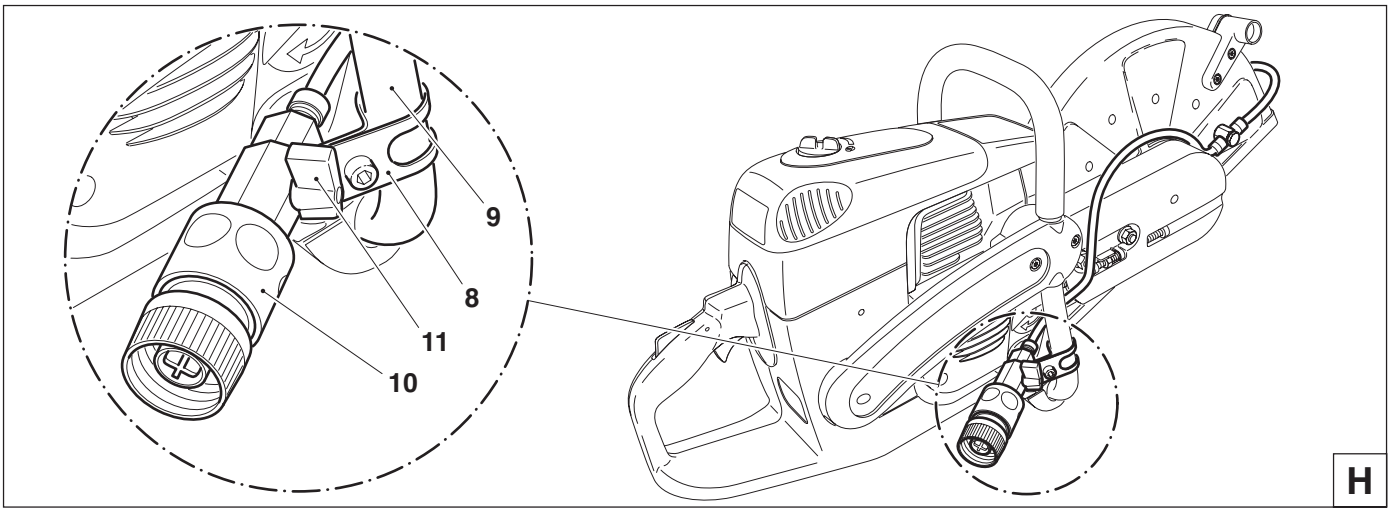
Tourner lentement le disque à découper jusqu'à ce que le trou d'arrêt de la poulie à courroie trapézoïdale soit visible dans le couvercle de l'adaptateur de coupe (10).

Enfoncer entièrement le tournevis coudé (2). L'arbre est maintenant bloqué.

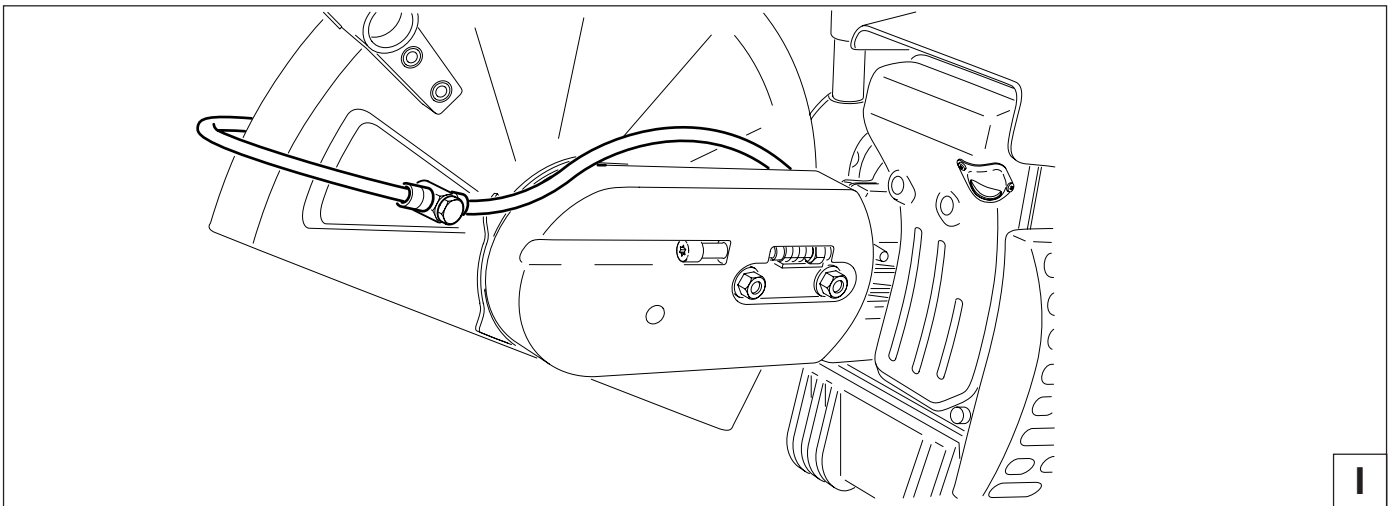
Bien serrer la vis au moyen de la clé combinée (1).

NOTE: Bien serrer la vis (30 ± 2 Nm). Le disque à découper risque sinon de se tordre.

D



H



I

Carburants

ATTENTION:

L'appareil est utilisé avec des produits d'huiles minérales (essence et huile)!

Votre attention est requise lorsque vous manipulez l'essence.

Il est interdit de fumer et tout feu immédiat n'est pas autorisé (risque d'explosion).



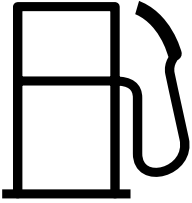

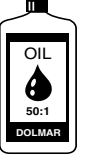
Mélange carburant

Le moteur de la découpeuse est un moteur à deux temps de haute capacité. Ce moteur est alimenté par un mélange de carburant et d'huile moteur deux temps.

La conception du moteur a été réalisé pour fonctionner à l'essence normal sans plomb avec un degré d'octane minimum de 91 ROZ. Si un tel type de carburant n'était pas disponible, on peut aussi utiliser un carburant d'un degré d'octane plus élevé. Le moteur n'en subit aucun dommage.

Pour un fonctionnement optimal, ainsi que pour la protection de la santé et de l'environnement, utilisez toujours un carburant sans plomb. Il ne faut pas utiliser d'essence contenant de l'alcool avec les produits DOLMAR.

Le graissage du moteur est réalisé par une huile moteur à deux temps de haute performance (échelle de qualité JASO FC ou ISO EGD) qui est additionnée au carburant. En usine le moteur a été réglé pour l'huile moteur deux temps très performante de DOLMAR HP 100 avec un rapport de mélange de 100:1. Ceci garantit une longue durée de vie et un fonctionnement fiable avec un très faible dégagement de fumées du moteur.

Carburant	100:1	50:1
		
1.0 Us-gal. (3.7 litres)	1.25 floz. (37 cm ³)	2.5 floz. (75 cm ³)
2.5 Us-gal. (9.4 litres)	3.2 floz. (94 cm ³)	6.4 floz. (189 cm ³)
5.0 Us-gal. (18.9 litres)	6.4 floz. (189 cm ³)	12.8 floz. (378 cm ³)

Réalisation du rapport correct du mélange:

100:1 En utilisant l'huile deux temps de haute performance DOLMAR HP 100, ceci signifie mélanger 100 parties d'essence avec une partie d'huile.

50:1 En utilisant l'huile deux temps de haute performance DOLMAR, ceci signifie mélanger 50 parties d'essence avec une partie d'huile.

J

L'huile deux temps de haute performance DOLMAR HP 100 peut être livrée selon les besoins dans des bidons aux contenances suivantes:

50 ml N° de commande 980 008 105

0,5 l N° de commande 980 008 113

L'huile deux temps de haute performance DOLMAR (50:1) peut être livrée selon les besoins dans des bidons aux contenances suivantes:

100 ml N° de commande 980 008 106

1 l N° de commande 980 008 112

5 l N° de commande 980 008 118

REMARQUE: Pour fabriquer le mélange essence-huile, il faut toujours mélanger préalablement le volume d'huile prévu dans la moitié du volume d'essence, puis y ajouter le volume d'essence restant. Avant de verser le mélange dans l'appareil, bien le mélanger au préalable.

Attention: Ouvrir le bouchon du réservoir d'essence avec précaution. Risque de montée de pression.

Il n'est pas raisonnable que par excès de conscience de sécurité d'augmenter la part d'huile au delà du rapport indiqué du mélange, le résultat serait plus de résidus de combustion ce qui polluerait l'environnement et boucherait la sortie d'échappement dans le cylindre, ainsi que le silencieux. En outre, la consommation de carburant augmenterait et la puissance diminuerait.

Stockage de carburants

Les carburants ne sont stockables que de manière restreinte. Les carburants et les mélanges de carburant vieillissent. Le carburant stocké trop longtemps et les mélanges de carburant peuvent causer des problèmes de démarrage. N'acheter que la quantité de carburant à consommer en l'espace de quelques mois.

Stocker le carburant uniquement dans des récipients homologués au sec et à l'abri.



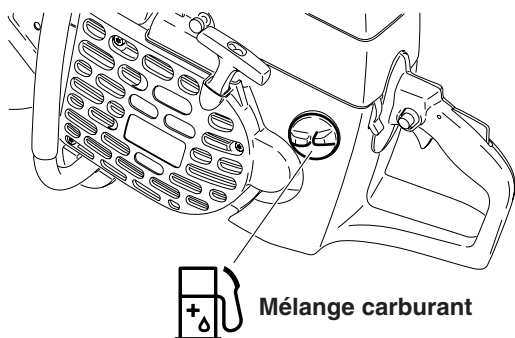
EVITEZ LE CONTACT AVEC LA PEAU ET LES YEUX

Les produits pétroliers, ainsi que les huiles, dégraissent la peau. Lors d'un contact répété et prolongé la peau se dessèche. Les suites peuvent être différentes maladies de peau. D'autre part, on connaît les réactions allergiques.

Le contact avec les yeux de l'huile conduit à des irritations. en cas de contact, rincer immédiatement l'oeil avec de l'eau claire.

Si l'irritation continue, consulter immédiatement un médecin.

A



Remplissage des réservoirs

ATTENTION: RESPECTER IMPERATIVEMENT LES REGLES DE SECURITE!

La manipulation de carburants exige une manipulation avec précaution et prudence.

Opération à effectuer uniquement lorsque le moteur est arrêté et refroidi!

Bien nettoyer autour de la zone de remplissage pour éviter qu'aucune saleté n'entre dans le réservoir.

Poser la machine de côté sur un support plat.

Dévisser le bouchon du réservoir et verser le mélange de carburant. Verser avec précaution pour ne pas renverser le mélange.

Revisser le bouchon du réservoir à la main.

Nettoyer le bouchon du réservoir et l'environnement après avoir mis de l'essence! Ne jamais démarrer ou utiliser l'appareil là où l'essence y a été versée.

Changer aussitôt de vêtements si de l'essence a été renversée sur les vêtements.

B

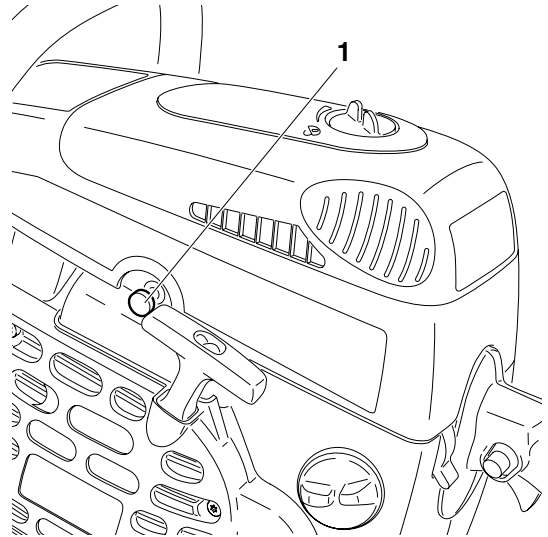
Démarrer le moteur



si
nécessaire

Le modèle est équipé d'une soupape de décompression (1) semi-automatique pour faciliter le démarrage. En enfonceant la soupape de décompression, le travail de compression est réduit et le moteur accélère pour atteindre son régime de démarrage en déployant le moindre effort sur le cordon de lancement.

Dû à la montée de pression élevée dans la chambre de chauffe, à la suite des premiers allumages, la soupape de décompression se ferme automatiquement (le bouton sort).



C

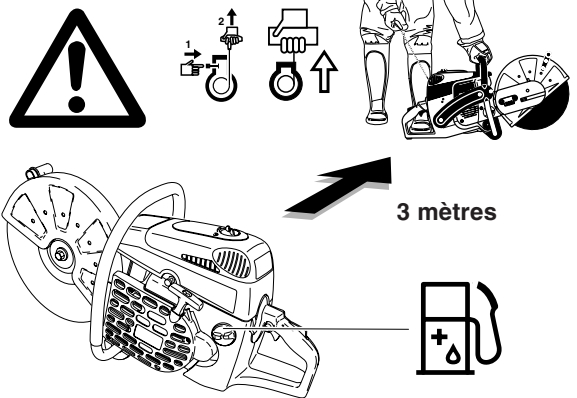
ATTENTION:

Respecter impérativement les INSTRUCTIONS DE SÉCURITÉ de la page 35 et 36.

La découpeuse ne peut être mise en marche qu'après le montage complet!

Démarrer le moteur au moins 3 m (10 pieds) de l'endroit du réservoir.

Prendre une position sûre et poser la découpeuse de manière à ce que le dispositif de découpage ne soit tourné dans votre direction.



D

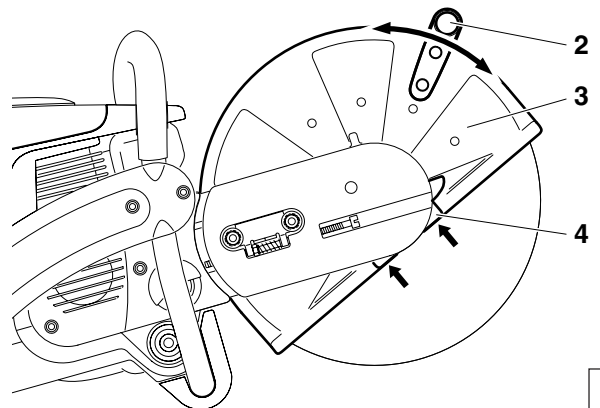
Mettre le capot de protection (3) en position optimale (cf. Figure) en fonction de l'utilisation faite.

Prendre la poignée (2), le capot de protection (3) peut être orienté à l'intérieur des butées dans les deux sens de la flèche.

Attention:

S'assurer absolument que le bord extérieur rectiligne de la tôle de butée (4) et le bord du capot de protection sont parallèles (voir flèches).

Si ce n'est pas le cas, consulter un atelier spécialisé.



E

Démarrage à froid

Pousser le commutateur combiné (6) vers le haut (position starter).

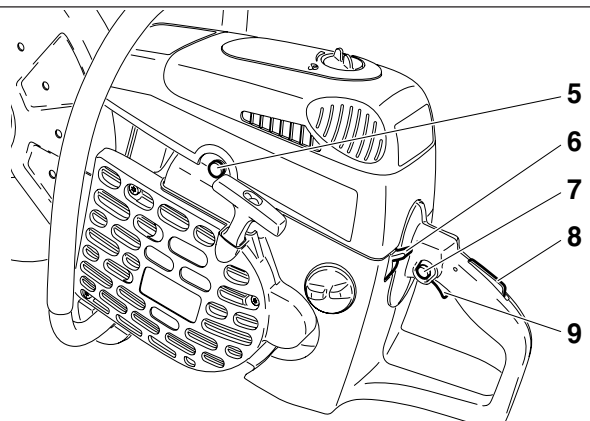
Saisir la poignée (la paume de la main appuie sur le bouton d'arrêt de sécurité (8)).

Enfoncer le levier de gaz (9) et le maintenir.

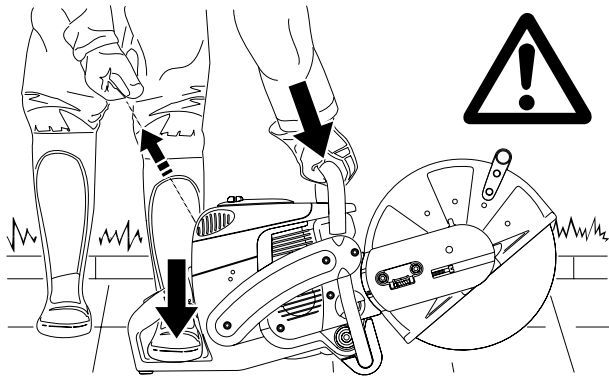
Pousser la tête d'enclenchement (7) et relâcher le levier de gaz (9) (le levier de gaz est bloqué par la tête d'enclenchement en position demi-gaz).

NOTE: Si la découpeuse est montée sur le chariot de guidage, mettre le levier de réglage en troisième ou quatrième position.

Enfoncer la soupape de décompression (5).



F



Tenir la poignée-étrier à pleine main et appuyer la découpeuse contre le sol.

Poser la pointe du pied gauche dans le pare-main.

Tirer vite et fort sur le cordon de lancement, jusqu'au déclenchement du premier allumage audible.

Attention: Ne pas retirer le cordon de lancement de plus de 20" (50 cm) et le ramener lentement à la main.

Renfoncer la soupape de décompression (F/5).

Pousser le commutateur combiné (F/6) en position «I».

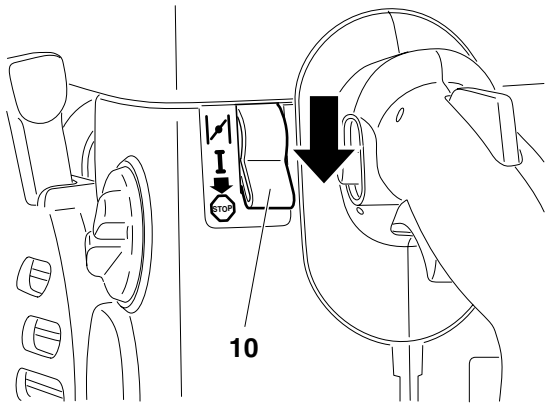
Tirer à nouveau le cordon de lancement jusqu'à ce que le moteur tourne.

Dès que le moteur tourne, actionner le levier de gaz (F/9) pour que le bouton de blocage (F/7) ressorte et pour que le moteur tourne au ralenti.


Démarrage à chaud

Comme décrit dans le paragraphe concernant le démarrage à froid, toutefois sans utiliser le commutateur combiné (F/6) en position starter.

G



Arrêter le moteur

Pousser le commutateur combiné (10) vers le bas en position .

H

Réglage du carburateur



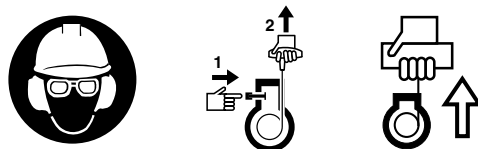
REMARQUE: Les découpeuses sont équipées d'un allumage électronique à limitation de vitesse de rotation. Le carburateur est en outre muni d'une buse fixe non réglable faisant office de gicleur principal.

Le régime de ralenti est pré-réglé en usine sur env. 2.500 1/min; il se peut néanmoins que la procédure de rodage d'une nouvelle machine exige un léger rajustage du régime de ralenti.

A

Les opérations suivantes sont nécessaires pour un réglage correct du régime de ralenti:

Démarrez le moteur et laissez-le tourner jusqu'à ce qu'il soit chaud (env. 3 à 5 min.).



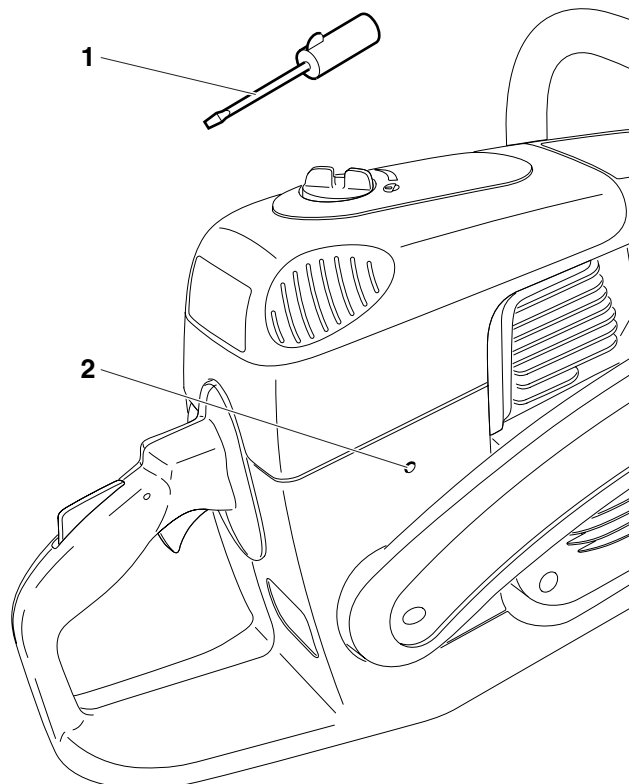
B

Utiliser le tournevis (1, réf. 944 340 001). Il possède un talon soudé servant au réglage.

Corrigez le réglage du régime de ralenti

Si le disque à découper tourne avec le moteur, dévissez la vis de butée (2) du papillon du carburateur jusqu'à ce que le disque ne tourne plus. Si le moteur s'arrête lorsqu'il tourne à vide, revissez à nouveau légèrement la vis de butée.

Arrêtez le moteur



C

TRAVAUX DE MAINTENANCE



ATTENTION:

Pour tout travail sur la découpeuse, il est impératif d'arrêter le moteur, de retirer le disque à découper, de tirer la cosse de bougie et de porter les gants de protection!

ATTENTION:

La découpeuse ne peut être mise en marche qu'après le montage complet!

A

DOLMAR



SERVICE

IMPORTANT:

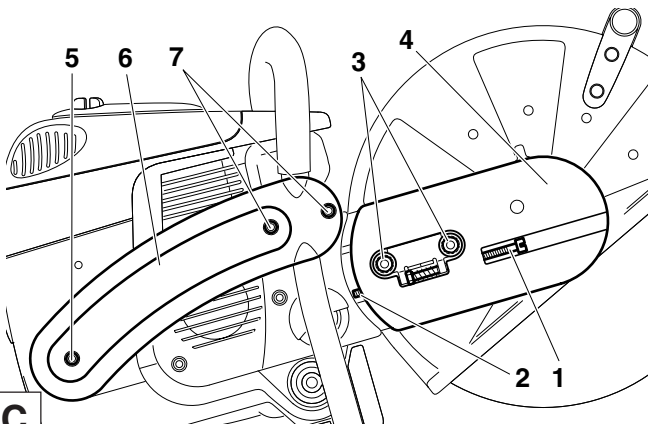
Etant donné que nombreuses pièces non abordées dans ce manuel d'utilisation sont en partie des dispositifs de sécurité importants et comme toute pièce est également soumise à une certaine usure, une vérification et maintenance régulière doit être effectuée par un atelier spécialisé DOLMAR pour garantir votre sécurité.

ATTENTION:



Si le disque à découper se fracture pendant la découpe, l'appareil doit être révisé par un atelier agréé DOLMAR avant toute remise en marche!

B



Remplacer la courroie

Desserrer les écrous (3).

Desserrer la vis de tension (1) (dans le sens inverse des aiguilles) jusqu'à ce que l'extrémité de la vis (2) soit visible dans la fente.

Dévisser les écrous (3) et enlever le couvercle (4).

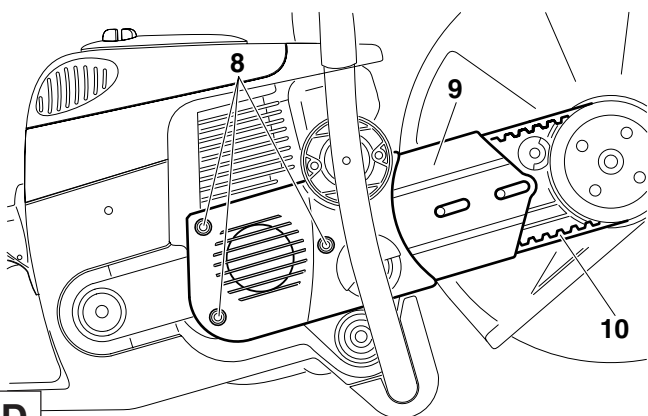
Dévisser les vis (5) et (7) et retirer l'entretoise latérale (6).

NOTE:



La vis (5) est plus longue que la vis (7).
Observer la position de montage.

C



Desserrer les vis (8) et enlever le couvercle du carter d'embrayage (9).

Enlever l'ancienne courroie (10) ou les restes de courroie.

Nettoyer l'intérieur du bras de transmission au moyen d'un pinceau.

Mettre en place une nouvelle courroie.

NOTE:

Montage du couvercle du carter-moteur (9), de l'entretoise latérale (C/6) et du couvercle (C/4) dans l'ordre inverse.

Tendre la courroie comme décrit au chapitre «Tendre la courroie / Contrôler la tension».

D

Nettoyer le capot de protection

A l'intérieur de la tôle de protection se constituent des dépôts de matière (notamment lors du découpage au mouillé) susceptibles d'empêcher la rotation du disque à découper.

Démonter le disque à découper et le disque de pression. Enlever les dépôts de découpe à l'intérieur du capot de protection au moyen d'un bâton en bois ou d'un objet similaire.

Nettoyer l'arbre et toutes les pièces démontées.



NOTE: Montage du disque à découper voir chapitre «Montage du disque à découper».

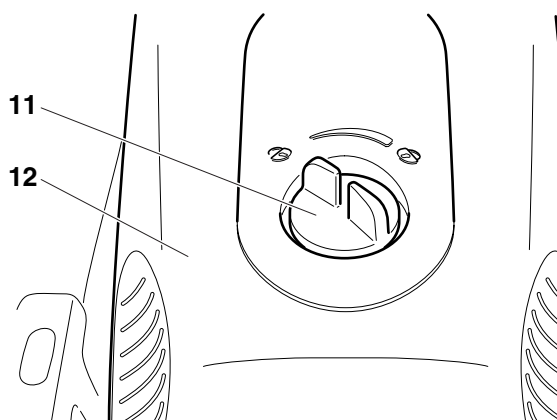
E

Nettoyer / remplacer le filtre à air



Tourner la pièce de verrouillage du couvercle (11) en position «déverrouillé» et enlever le couvercle du filtre (12) avec précaution.

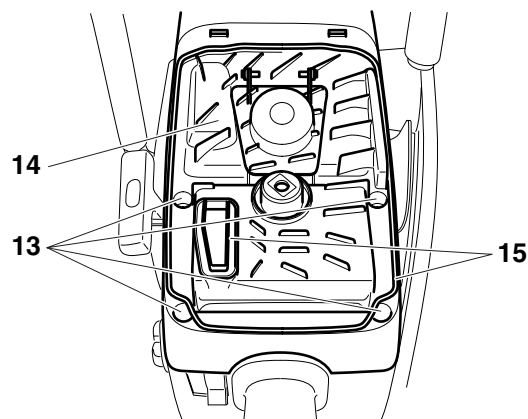
Deux bagues d'étanchéité (G/15) se trouvent entre le couvercle du filtre (12) et le capot (G/14).



F

Dévisser les vis (13) et retirer le capot (14).

Nettoyer la bague d'étanchéité (15) au moyen d'un pinceau et vérifier si elle est endommagée.



G

Nettoyer le pré-filtre (mousse, 17) du couvercle du filtre.

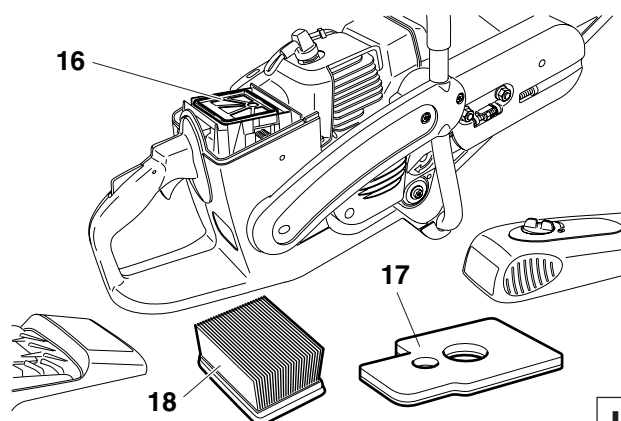
Retirer la cartouche de filtre à air (cartouche en papier, 18) du capot.

Enlever le filtre intérieur (16) de la crépine d'aspiration.

Note:

Protéger le carburateur de manière à ce qu'aucune poussière n'y pénètre.

Mettre le commutateur combiné en position «starter» ou couvrir le carburateur d'un chiffon propre.

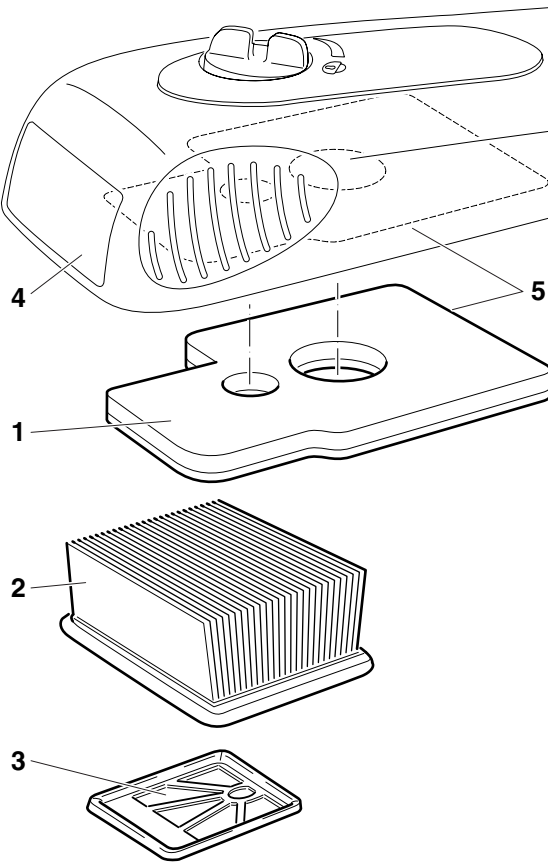


H

ATTENTION:



Nettoyer en aucun cas les filtres à air à l'air comprimé! Ne pas nettoyer le pré-filtre et le filtre intérieur avec de l'essence.



Pré-filtre (mousse) et filtre intérieur

Nettoyer le pré-filtre (1) et filtre intérieur (3) sale dans de l'eau de lessive tiède avec du produit à laver la vaisselle courant dans le commerce.

Bien sécher le pré-filtre et le filtre intérieur.

NOTE: Le pré-filtre doit être nettoyé plusieurs fois par jour en présence de poussières intenses. S'il n'est pas possible de nettoyer sur place, préparer un pré-filtre de réserve.

Remplacer le pré-filtre au plus tard après 20 heures de service.

Pour augmenter la capacité du filtrage, le pré-filtre doit être humidifié avec de l'huile pour filtre à huile. Avant d'utiliser l'huile pour filtre à air, effectuer un nettoyage minutieux avec le nettoyant pour filtre à air.

Suivre impérativement les indications du constructeur.

Orienter le pré-filtre avec le récepteur de couvercle en l'insérant dans le couvercle du filtre et l'enfoncer dans le couvercle du filtre (5).

Cartouche de filtre à air (cartouche en papier)

La cartouche de filtre à air (2) filtre l'air d'aspiration par un système en lamelles de filtre en papier très fin. C'est pourquoi la cartouche ne doit pas être lavée. Nettoyer la cartouche de filtre à air une fois par semaine.

Ouvrir légèrement la cartouche de filtre à air en éventail et la frapper avec précaution contre un support propre.

Remplacer la cartouche de filtre à air toutes les 100 heures de service. En cas de perte de puissance, de réduction du régime ou de fumée dans le gaz d'échappement, la remplacer immédiatement.

Avant de monter le système de filtrage, contrôler si des saletés ne sont pas tombées dans l'orifice d'aspiration. Les enlever éventuellement.

ATTENTION:

Remplacer aussitôt le filtre à air endommagé!

Des morceaux de tissu déchirés et des particules de saleté grossières peuvent détériorer le moteur.

A

Remplacement de bougie



ATTENTION:

Les bougies d'allumage ou la fiche de la bougie ne doivent pas être touchés le moteur en marche (haute tension). N'effectuer des travaux de maintenance que si le moteur est arrêté.

Risque de brûlure lorsque le moteur est chaud: porter absolument vos gants de protection!

En cas de détérioration du corps isolant, d'usure importante des électrodes resp. d'électrodes très encrassées ou pleines d'huile, il faut procéder à un remplacement de la bougie.

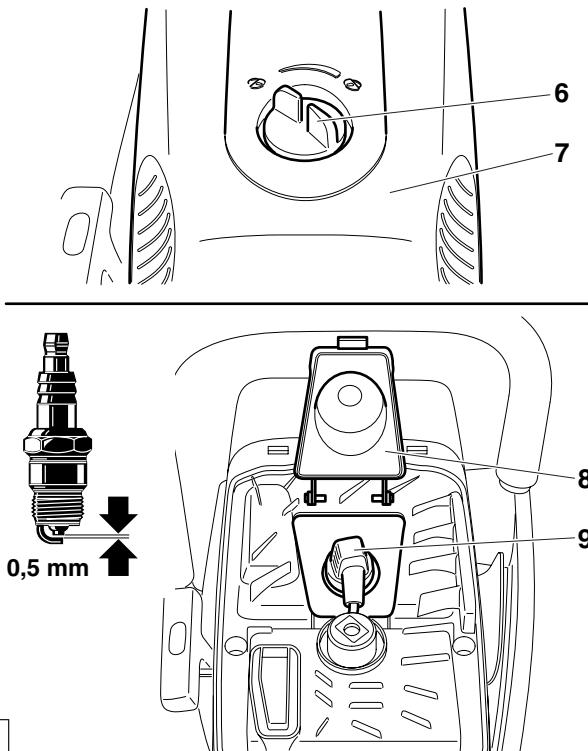
Tourner la pièce de verrouillage du couvercle (6) en position «dévrouillé» et retirer le couvercle du filtre (7) avec précaution.

Relever le couvercle de bougie (8).

Retirer la fiche de la bougie (9) de la bougie. Démontez la bougie uniquement avec la clé combinée comprise dans la fourniture.

Écartement des électrodes

L'écartement des électrodes doit être de .020" (0.5 mm).



B

Vérification de l'étincelle d'allumage

N'introduire la clé combinée (9) entre le capot et le cylindre que comme montré sur la figure.

ATTENTION!

Ne pas introduire la clé dans le trou de bougie, établir seulement un contact avec le cylindre (sinon risque de détérioration du moteur).

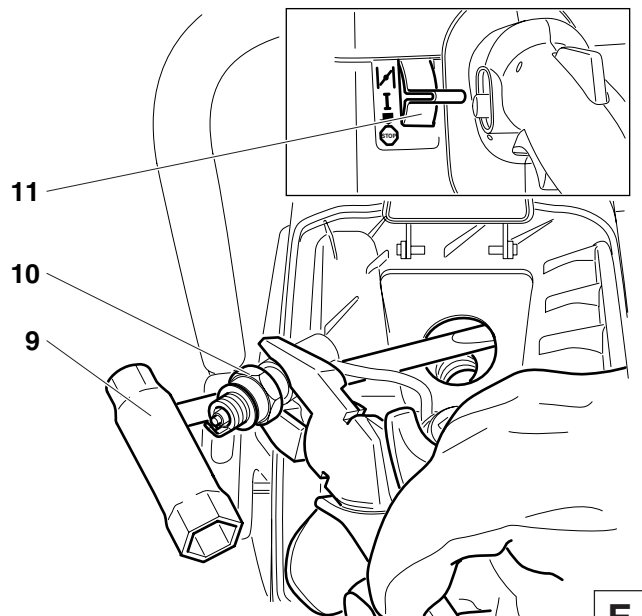
Presser contre la clé la bougie (10) dévissée avec la cosse bien posée au moyen d'une clé isolée (dans le sens inverse du trou de bougie!)

Pousser le commutateur combiné (11) en position «I».

Tirer fortement sur le cordon de lancement.

En fonctionnement correct, l'étincelle doit être visible sur les électrodes.

ATTENTION: N'utilisez comme rechange que les bougie BOSCH WSR 6F, CHAMPION RCJ-6Y oder NGK BPMR 7A.



E

Remplacement de la crépine d'aspiration

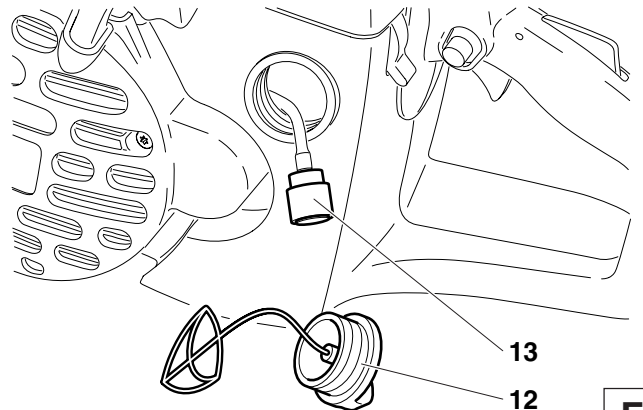
Le filtre feutre (13) de la crépine d'aspiration peut se boucher pendant l'utilisation. Pour assurer une alimentation sans problème du carburant vers le carburateur, la crépine d'aspiration devra être remplacée environ tous les 3 mois.

Dévisser le bouchon du réservoir (12), sortir de la bouche du réservoir l'élément de blocage contre la perte.

Nettoyer le réservoir carburant.

Tirer la crépine d'aspiration à travers la bouche du réservoir au moyen d'un crochet en fil métallique.

Attention: Eviter tout contact du carburant avec la peau!



F

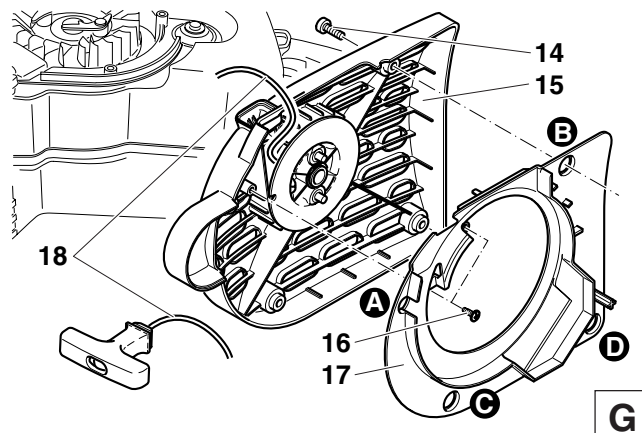
Remplacement du cordon de lancement



Serrer les quatre vis (14). Retirer le carter du démarreur (15).

Dévisser les deux vis (16) et retirer avec précaution la canalisation d'air (17) du carter du démarreur (15), en suivant l'ordre donné (A - B - C - D).

Enlever les anciens restes de cordon (18).

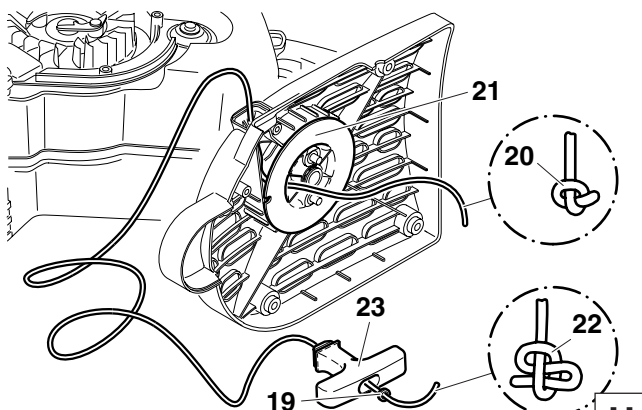


G

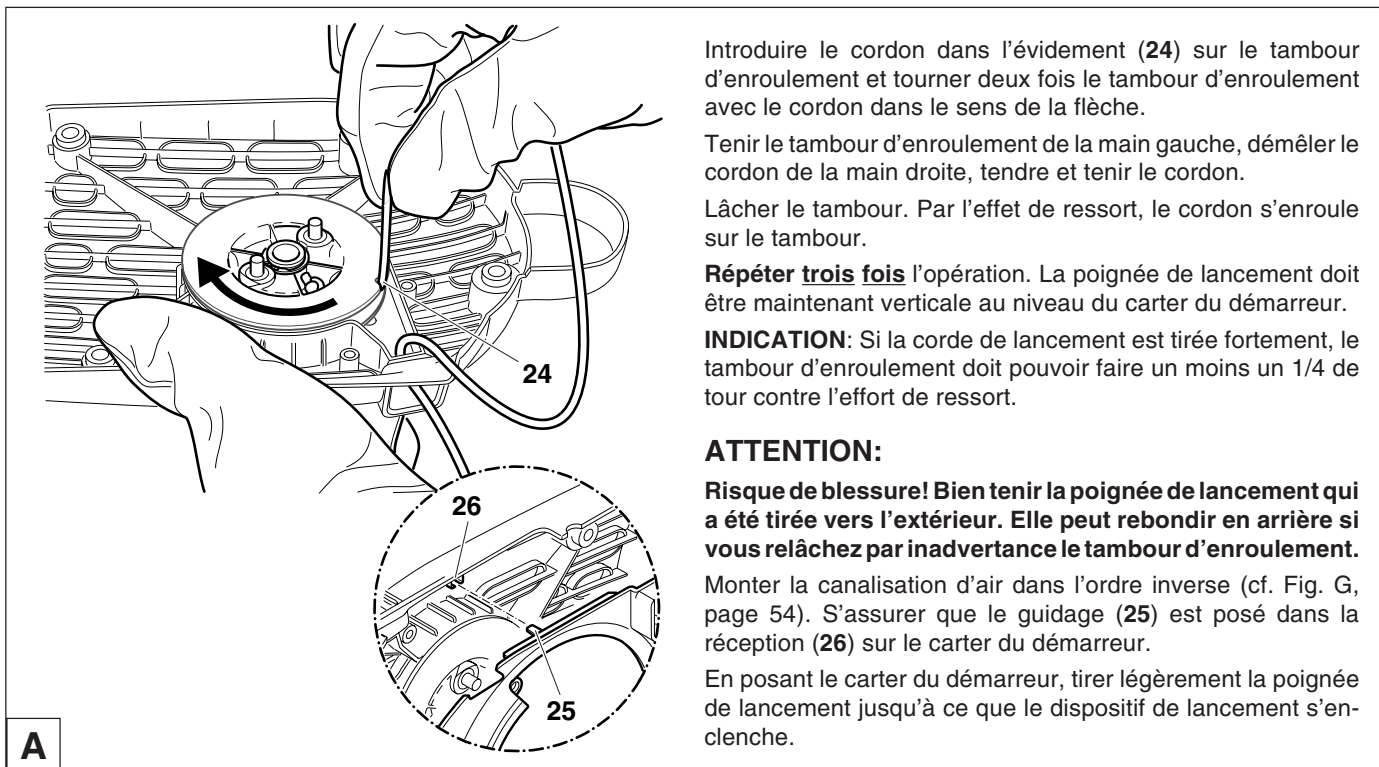
Enfiler le nouveau cordon de lancement (ø 0.16" (4.0 mm), 39.5" (1000 mm) de long), comme montré sur la figure (sans oublier la rondelle (19) et faire un nœud aux deux extrémités. Insérer le nœud (20) dans le tambour d'enroulement (21).

ATTENTION: Le nœud ou l'extrémité du cordon de lancement ne doit pas dépasser la surface du tambour d'enroulement.

Insérer le nœud (22) dans la poignée de lancement (23).



H



Introduire le cordon dans l'évidement (24) sur le tambour d'enroulement et tourner deux fois le tambour d'enroulement avec le cordon dans le sens de la flèche.

Tenir le tambour d'enroulement de la main gauche, démêler le cordon de la main droite, tendre et tenir le cordon.

Lâcher le tambour. Par l'effet de ressort, le cordon s'enroule sur le tambour.

Répéter trois fois l'opération. La poignée de lancement doit être maintenant verticale au niveau du carter du démarreur.

INDICATION: Si la corde de lancement est tirée fortement, le tambour d'enroulement doit pouvoir faire un moins un 1/4 de tour contre l'effort de ressort.

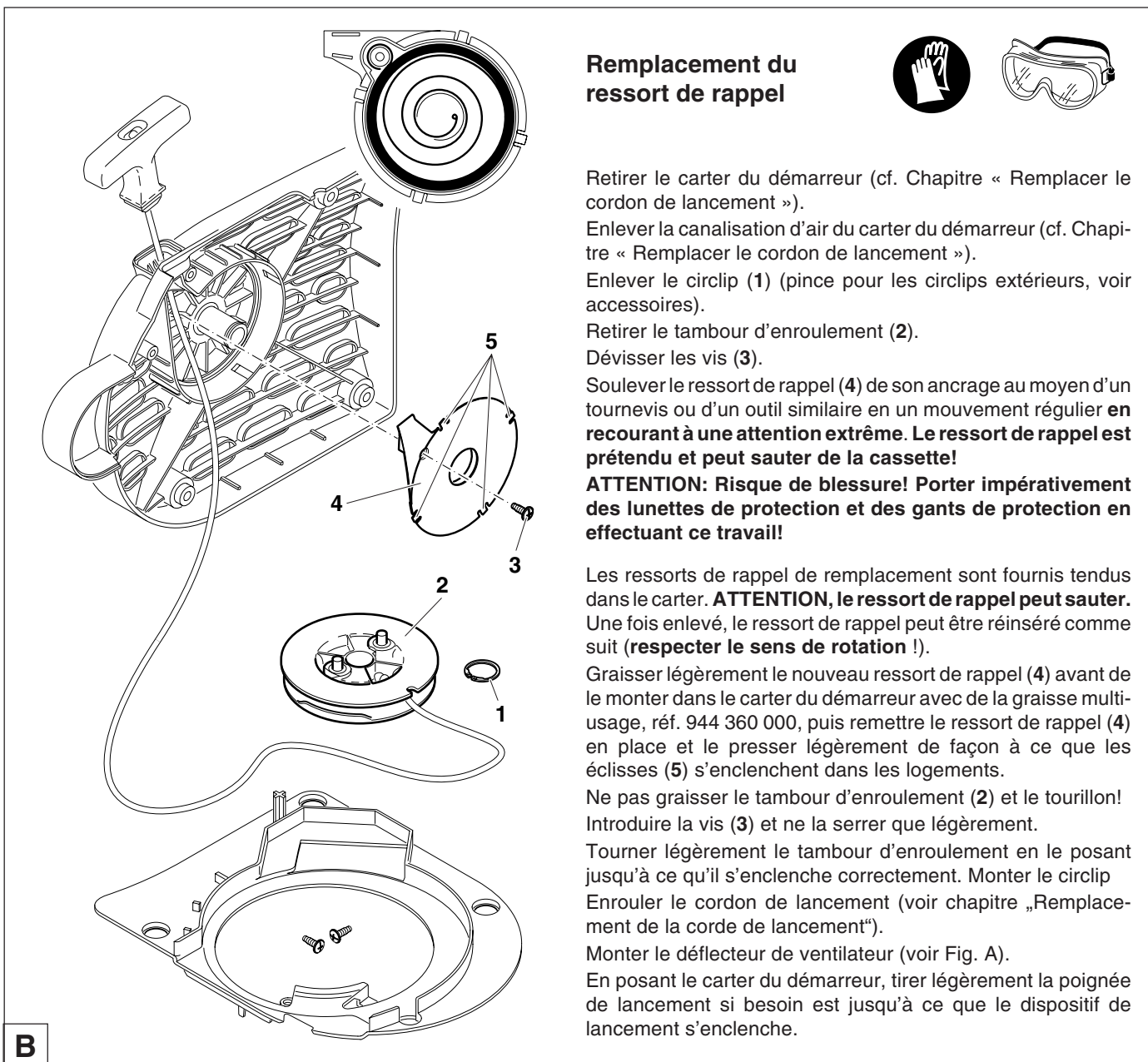
ATTENTION:

Risque de blessure! Bien tenir la poignée de lancement qui a été tirée vers l'extérieur. Elle peut rebondir en arrière si vous relâchez par inadvertance le tambour d'enroulement.

Monter la canalisation d'air dans l'ordre inverse (cf. Fig. G, page 54). S'assurer que le guidage (25) est posé dans la réception (26) sur le carter du démarreur.

En posant le carter du démarreur, tirer légèrement la poignée de lancement jusqu'à ce que le dispositif de lancement s'enclenche.

A



Remplacement du ressort de rappel



Retirer le carter du démarreur (cf. Chapitre « Remplacer le cordon de lancement »).

Enlever la canalisation d'air du carter du démarreur (cf. Chapitre « Remplacer le cordon de lancement »).

Enlever le circlip (1) (pince pour les circlips extérieurs, voir accessoires).

Retirer le tambour d'enroulement (2).

Dévisser les vis (3).

Soulever le ressort de rappel (4) de son ancrage au moyen d'un tournevis ou d'un outil similaire en un mouvement régulier **en recourant à une attention extrême. Le ressort de rappel est prétendu et peut sauter de la cassette!**

ATTENTION: Risque de blessure! Porter impérativement des lunettes de protection et des gants de protection en effectuant ce travail!

Les ressorts de rappel de remplacement sont fournis tendus dans le carter. **ATTENTION, le ressort de rappel peut sauter.** Une fois enlevé, le ressort de rappel peut être réinséré comme suit (**respecter le sens de rotation !**).

Graisser légèrement le nouveau ressort de rappel (4) avant de le monter dans le carter du démarreur avec de la graisse multi-usage, réf. 944 360 000, puis remettre le ressort de rappel (4) en place et le presser légèrement de façon à ce que les éclisses (5) s'enclenchent dans les logements.

Ne pas graisser le tambour d'enroulement (2) et le tourillon! Introduire la vis (3) et ne la serrer que légèrement.

Tourner légèrement le tambour d'enroulement en le posant jusqu'à ce qu'il s'enclenche correctement. Monter le circlip Enrouler le cordon de lancement (voir chapitre „Remplacement de la corde de lancement“).

Monter le déflecteur de ventilateur (voir Fig. A).

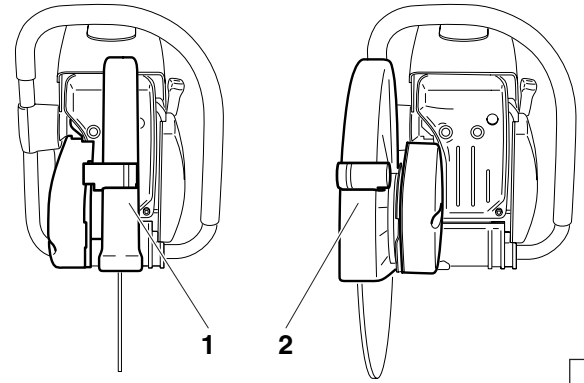
En posant le carter du démarreur, tirer légèrement la poignée de lancement si besoin est jusqu'à ce que le dispositif de lancement s'enclenche.

B

Dispositif de coupe en position médiane / position extérieure

ATTENTION: Le dispositif de découpage a été monté par l'usine pour le montage en position médiane (1). En cas d'obstacles se trouvant à toute proximité du tracé du découpage (par exemple bordure ou murs), le dispositif de découpage peut être monté en position extérieure (2). N'utilisez la position extérieure de la découpeuse que pour le travail à effectuer.

Remontez-la ensuite en position médiane. Quand le dispositif de découpage est en position médiane, la découpeuse a un meilleur centre de gravité empêchant ainsi une fatigue prématurée.



C

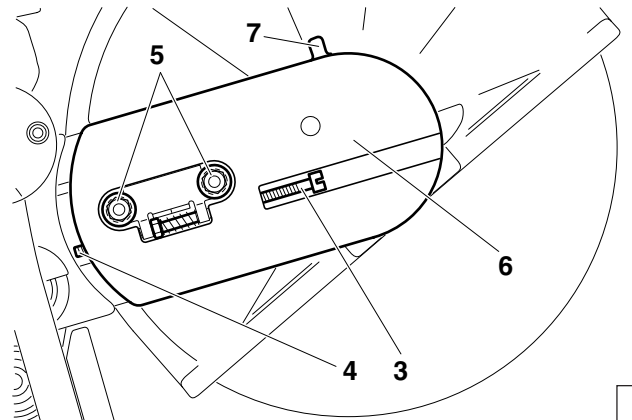
Démonter le dispositif de coupe



Desserrer les écrous (5).

Desserrer la vis de tension (3) (dans le sens inverse des aiguilles) jusqu'à ce que l'extrémité de la vis (4) soit visible dans la fente.

Dévisser les écrous (5) et enlever le couvercle (6).



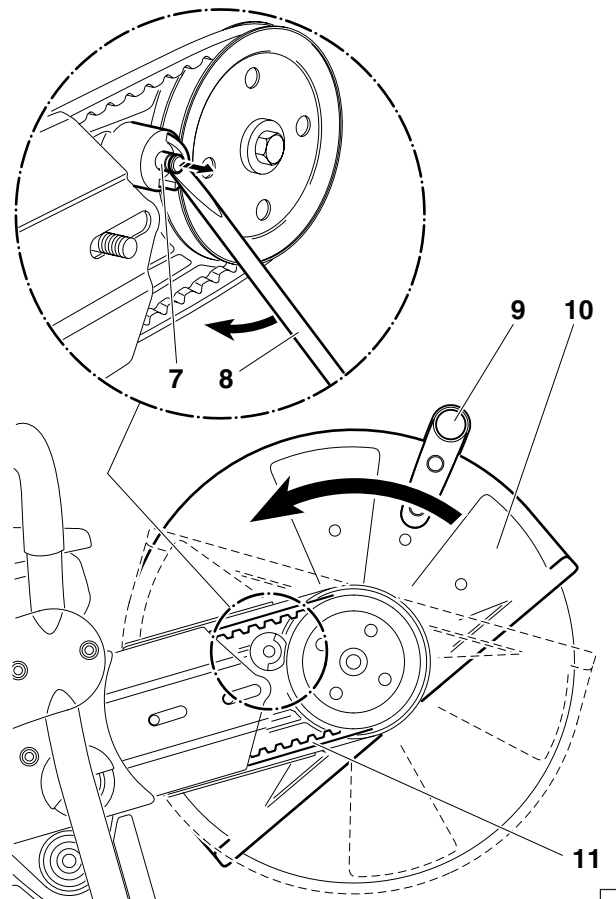
D

Retirer le boulon de butée (7) en le levant avec la clé universelle (8) comme montré sur la figure jusqu'à ce que le capot de protection (10) puisse être tourné.

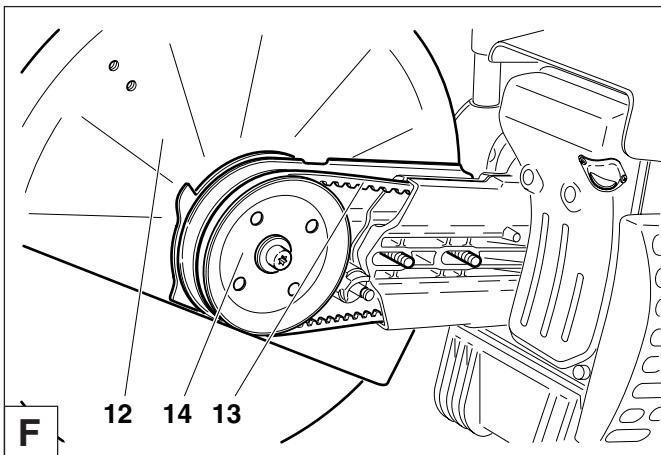
NOTE : La butée de torsion (D/7) se désactive quand le boulon de butée (7) est retiré ce qui permet de pouvoir retirer le capot de protection (10) au-dessus de la butée de torsion (D/7).

Dévisser la poignée (9) et tourner le capot de protection (10) comme montré sur la figure.

Décrocher la courroie trapézoïdale (11) et retirer le dispositif de séparation.

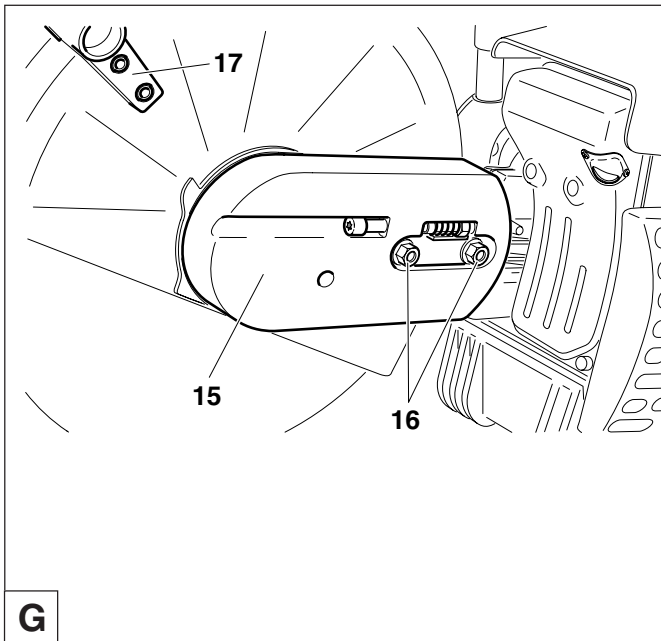


E



Presser le dispositif de séparation (12) en position extérieure contre le logement du bras d'embrayage.

Mettre la courroie trapézoïdale (13) sur la poulie de courroie (14).



Poser le couvercle (15).

Visser les écrous (16) et les serrer à la main.

Tendre la courroie comme décrit au chapitre «Tendre la courroie / Contrôler la tension».

Serrer bien les écrous (16) avec la clé combinée.

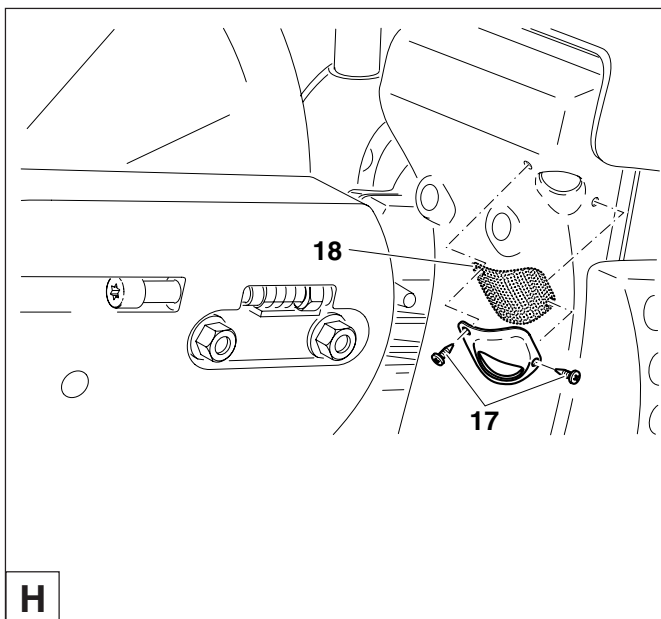
Remonter la poignée (17) comme décrit sur la Figure.

ATTENTION:

Après chaque modification de montage du dispositif de coupe, le sens de rotation du disque de découpe change!



Observer le sens de rotation du disque à découper, si indiqué sur le disque à découper.



Changement / nettoyage du pare-étincelles



Il faut vérifier et nettoyer régulièrement le pare-étincelles.

Desserrer les 2 vis (18) et enlever le pare-étincelles (19).

Remontez le pare-étincelles et serrez la vis.

ATTENTION:

N'utilisez pas d'objets coupants ou pointus pour nettoyer le pare-étincelles car vous pourriez endommager ou déformer les fils du pare-étincelles.

ACCESSOIRES OPTIONNELS

Disques à découper en diamant (1)

En vue de satisfaire les exigences en matière de sécurité, de confort de travail et de fournir une solution économique lors des découpages, la gamme DOLMAR contient des disques à découper au diamant. Elles servent au découpage de toutes les matières **à l'exception du métal**.

La grande compacité des grains du diamant réduit l'usure et garantit ainsi une longue durabilité pour des diamètres de disques restant pratiquement identiques. Il en résulte des rendements de coupe presque constants et une rentabilité élevée. Les propriétés excellentes des disques à découper en diamant permet ainsi un travail sans fatigue.

Les disques en métal très stables présentent des propriétés de concentricité très élevées permettant d'éviter en grande partie les vibrations du disque à découper.

L'utilisation de disques à découper au diamant réduit considérablement la durée de découpage. Il en résulte ainsi des frais d'exploitation moins élevés (consommation de carburant, pièces de rechange, réparations et pollution).

Le chariot de guidage (2)

Le chariot de guidage DOLMAR facilite une conduite droite de la découpeuse. Il permet en même temps un travail sans fatigue et peut s'adapter aux dimensions de l'utilisateur. La découpeuse peut fonctionner avec le dispositif de découpage tant en position médiane qu'extérieure.

Pour faciliter le ravitaillement en essence en cas d'utilisation du chariot de guidage, il est recommandé de monter un bouchon de réservoir angulaire sur le réservoir (3).

Le réducteur de profondeur est un plus en matière de confort de travail et de précision de coupe. Il permet de respecter exactement la profondeur de coupe exigée (4).

Pour éviter les poussières pendant le découpage et pour un meilleur refroidissement du disque à découper, DOLMAR offre selon le mode d'utilisation de la découpeuse plusieurs variantes permettant le mouillage du disque à découper à l'eau.

Le réservoir d'eau (5)

Le réservoir d'eau est prévu pour être monté sur le chariot de guidage. Son importante capacité vous permet de l'utiliser lorsque vous changez en permanence d'endroit. Pour remplir le réservoir ou utiliser des réservoirs de rechange, il suffit simplement de soulever le chariot de guidage.

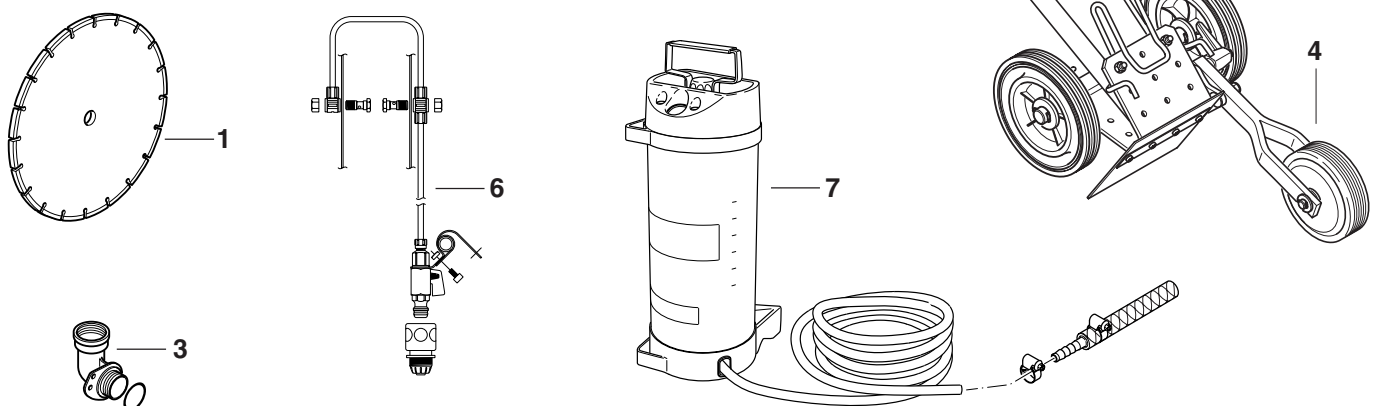
Toutes les branchements nécessaires et les conduites d'eau sont fournis. Le logement prévu sur le chariot de guidage et sur la découpeuse permet un montage rapide et très facile à effectuer.

La conduite d'eau au réseau / réservoir (6)

La conduite d'eau sous pression est conçue pour être montée sur la découpeuse. Celle-ci peut être utilisée en relation avec le chariot de guidage. La conduite d'eau sous pression convient particulièrement lorsque vous travaillez avec la découpeuse de manière stationnaire. Au moyen d'un accouplement de rupture rapide, l'eau peut être alimentée soit au moyen du réseau d'alimentation d'eau soit par le réservoir d'eau sous pression (7).

Toutes les branchements nécessaires et les conduites d'eau sont fournis. Le logement prévu sur le chariot de guidage et sur la découpeuse permet un montage rapide et très facile à effectuer.

N° de commande voir „Accessoires“.



Indications de maintenance et d'entretien périodiques

Pour obtenir une longue durée de vie et pour éviter des détériorations, il faut effectuer régulièrement les travaux de maintenance décrits ci-après. Des demandes en garantie ne pourront être acceptées que si les travaux ont été effectués régulièrement et d'une façon ordonnée. Les utilisateurs des découpeuses ne sont pas autorisés à effectuer les travaux de maintenance et d'entretiens décrits dans la présente documentation. Les travaux non compris dans cette liste ne doivent être exécutés que dans un atelier spécialisé de DOLMAR.

			Page
Généralités	Découpeuse dans l'ensemble	Nettoyer l'extérieur et vérifier si elle n'est pas détériorée. En cas de détériorations, faire effectuer immédiatement les réparations par un spécialiste.	
	Disque à découper	Contrôler régulièrement si elle n'est pas endommagée ou usée	37
	Embrayage Capot de protection	Faire vérifier dans un atelier spécialisé Nettoyer, Vérifier la position (tôle de butée)	47
Avant toute mise en route	Disque à découper	Contrôler s'il est endommagé et si le disque de découpe monté convient pour l'utilisation prévue.	37
	Courroie	Contrôler la tension de courroie	44
	Capot de protection	Régler la position	
	Commutateur combiné	Vérifier le fonctionnement	
	Touche de blocage de sécurité Levier de gaz Bouchon du réservoir	Vérifier le fonctionnement Vérifier le fonctionnement Vérifier l'étanchéité	47
Journelement	Filtre à air	Nettoyer, (plus souvent si nécessaire), remplacer le pré-filtre (mousse) au bout de 20 heures	51
	Vitesse de rotation à vide	Contrôler (Le disque à découper ne doit pas tourner)	49
	Extrêmement sali	Nettoyer cartouche de papier	51
Toutes les semaines	Carter du démarreur	Nettoyer pour garantir un parfait guidage de l'air de refroidissement.	42
	Cordon de lancement	Vérifier s'il n'est pas détérioré	53
	Courroie	Contrôler la tension de courroie, vérifier si elle n'est pas endommagée ou usée.	50
	Cartouche de filtre à air	Nettoyer, remplacer au bout de 100 heures	52
	Bougie	Vérifier, le cas échéant, remplacer	52-53
	Silencieux	Vérifier s'il n'est pas encrassé.	42
Tous les 3 mois	Crépine d'aspiration	Remplacer	53
	Réservoirs carburant	Nettoyer	
Tous les ans	Disque à découper entier	Faire vérifier par un atelier spécialisé	
Stockage	Découpeuse dans l'ensemble	Nettoyer l'extérieur et vérifier si elle n'est pas détériorée. En cas de détériorations, faire effectuer immédiatement les réparations par un spécialiste.	
	Disque à découper	Démonter et nettoyer	42
	Réservoirs carburant	Vidanger et nettoyer	
	Carburateur	Le laisser se vider en marche	

Service d'atelier, pièces de rechange et garantie

Maintenance et réparations

L'entretien et la remise à neuf des découpeuses modernes ainsi que des éléments importants pour la sécurité exigent une certaine qualification et un atelier spécialisé équipé des outils spéciaux et des appareils de contrôle adéquats.

Tous les travaux non décrits dans ce manuel d'utilisation doivent être effectués par un atelier DOLMAR spécialisé.

Le spécialiste dispose de la formation, de l'expérience et des équipements nécessaires pour vous apporter chaque fois la solution économique la plus avantageuse et vous apporte une aide d'assistance en pratique et en conseil. Le droit à la garantie s'annule en cas de réparations tentées par des tiers ou des personnes non autorisées.

Vous y recevrez l'adresse de l'atelier spécialisé la plus proche de chez vous.

Pièces de rechange

Le fonctionnement permanent fiable et la sécurité de votre appareil dépend aussi de la qualité des pièces de rechange utilisées. N'utilisez que des pièces de rechange d'origine DOLMAR, signalées par



Seulement les pièces d'origine proviennent de la production de l'appareil et garantissent donc une qualité optimale en ce qui concerne les matériaux, le respect de cotes, le fonctionnement et la sécurité.

Les pièces accessoires et de rechange d'origine vous sont proposées par votre vendeur spécialisé. Il dispose des listes de pièces de rechange nécessaires pour déterminer le numéro de la pièce de rechange nécessaire, et vous informera à fur et à mesure des améliorations de détail et des nouveautés dans l'offre des pièces de rechange.

Veillez aussi noter, qu'en utilisant des pièces qui ne sont pas d'origine de DOLMAR vous perdez tout droit à la garantie de l'organisation DOLMAR.

Au cas où des pièces non d'origine provoqueraient de détériorations, nous n'assurerons pas les frais qui en découleraient.

Garantie

DOLMAR garantit un qualité irréprochable et supporte les frais pour une amélioration par remplacement des pièces défectueuses dans le cas de défauts de matériel ou de fabrication qui se présentent dans le délai de garantie après le jour de vente. Veuillez noter que dans certains pays, il existe des conditions de garantie spécifiques. Adressez vous, en cas de doute, à votre vendeur. En tant que vendeur du produit, il doit vous assurer la garantie.

Nous vous prions de comprendre que nous ne pouvons pas assurer la garantie pour les causes de détériorations suivantes:

- Non respect de la notice d'emploi
- Non exécution des travaux de maintenance et réparations nécessaires
- Détériorations par suite d'un réglage non conforme du carburateur
- Usure normale
- Surcharge manifeste par dépassement permanent de la limite supérieure de la puissance
- Utilisation de découpeuses non d'origine DOLMAR
- Forçage, traitement non conforme, emploi non autorisé ou cas d'accidents
- Détériorations de surchauffe causées par des encrassements du carter du ventilateur.
- Interventions de personnes non compétentes ou essais de réparations non conformes
- Utilisation de pièces de rechange non appropriées resp. de pièces non d'origine DOLMAR, dans la mesure où elles sont sources de détériorations
- Utilisation de produits de fonctionnement inadaptés ou superposés
- Détériorations provenant de conditions d'utilisation du magasin de location

Les travaux de nettoyage, d'entretien et de réglage ne sont pas reconnus comme prestations de garantie. Tout travail au titre de la garantie est à effectuer par le vendeur spécialiste DOLMAR.

Recherche de pannes

Panne	Système	Observation	Origine
La découpeuse ne démarre pas	Embrayage	Moteur tourne	Panne au niveau de l'embrayage
Disque à découper tourne au ralenti	Carburateur, Accouplement	Disque à découper tourne	Réglage du ralenti incorrect, embrayage bloqué
Moteur ne démarre pas ou démarre difficilement	Système d'allumage Alimentation carburant Système de compression Défaut mécanique	Allumage existe Pas d'allumage Réservoir carburant rempli A l'intérieur de l'appareil A l'extérieur de l'appareil Lanceur n'accroche pas	Défaut dans l'alimentation du carburant, système de compression, défaut mécanique Commutateur STOP enclenché, défaut ou court-circuit dans le câblage, fiche de bougie, bougie défectueuse Choke en mauvaise position, carburateur défectueux, crépine d'aspiration bouchée, conduite de carburant sectionnée ou coincée Joint du pied de cylindre défectueux, bagues à lèvres endommagées, segments de cylindre ou de pistons endommagés Bougie n'est pas étanche Ressort dans le démarreur brisé, pièces brisées à l'intérieur du moteur
Moteur démarre, mais s'arrête immédiatement après	Alimentation carburant	Carburant dans réservoir	Réglage du ralenti non correct, crépine d'aspiration ou carburateur encrassé Aération réservoir défectueux, conduite carburant interrompue, câble défectueux, commutateur STOP endommagé, Soupape de décompression encrassé
Manque puissance	Plusieurs systèmes peuvent être mis en cause	Appareil tourne au ralenti	Filtre à air encrassé, faux réglage du carburateur, silencieux bouché, tuyau d'échappement des gaz dans le cylindre est bouché, pare-étincelles bouché

Extrait de la liste des pièces de rechange

N'utilisez que des pièces de rechange d'origine DOLMAR. Pour les réparations et la rechange pour d'autres pièces, votre atelier spécialisé DOLMAR est compétent.

PC-6430, 6435

PC-7330, 7335

DOLMAR

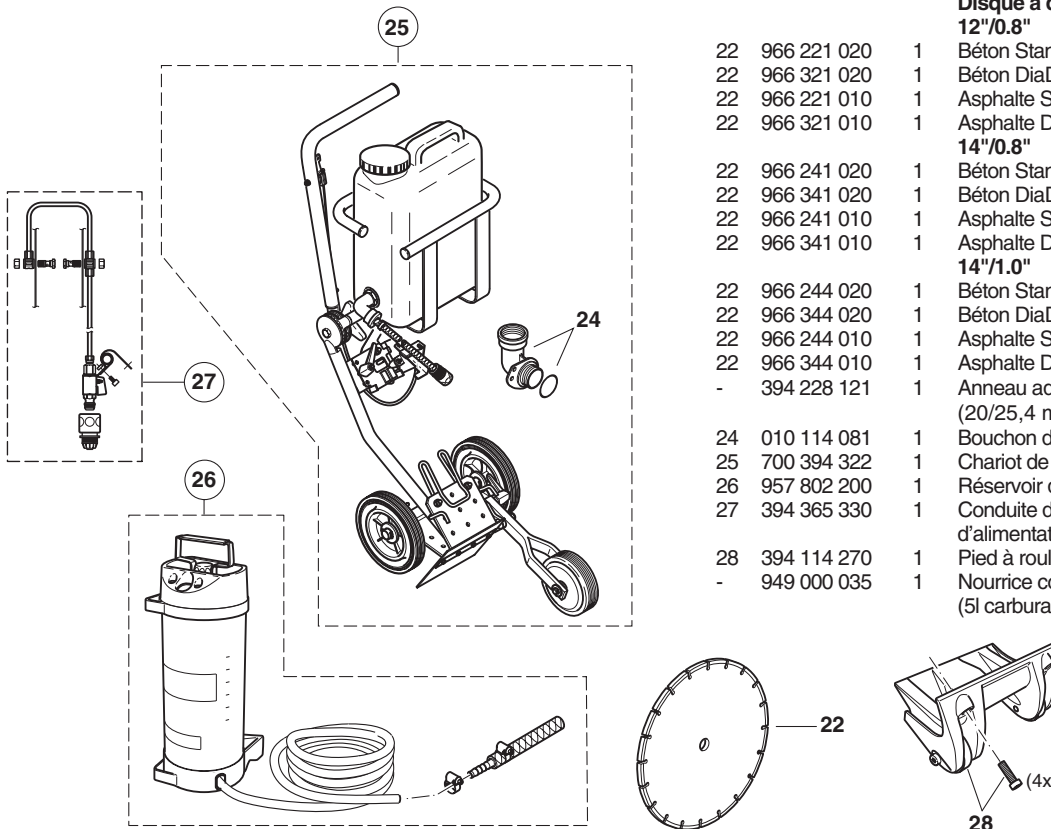


Pos.	N°DOLMAR	pcs.	Désignation
Disque à découper à la résine			
1	966 121 150	1	Pour l'acier, diam. 300/20 mm (12"/0.8")
	966 141 150	1	Pour l'acier, diam. 350/20 mm (14"/0.8")
	966 144 150	1	Pour l'acier, diam. 350/25,4 mm (14"/1.0")
1	966 121 120	1	Pour la pierre, diam. 300/20 mm (12"/0.8")
	966 141 120	1	Pour la pierre, diam. 350/20 mm (14"/0.8")
	966 144 120	1	Pour la pierre, diam. 350/25,4 mm (12"/0.8")
3	994 280 250	1	Vis hexagonale M8x25
4	965 300 470	1	Courroie
5	963 601 120	1	Crépine d'aspiration
6	010 114 091	1	Bouchon de réservoir complet (essence)
8	394 173 020	1	Filtre intérieur
9	394 173 010	1	Cartouche de filtre à air (cartouche en papier)
10	326 173 080	1	Pré-filtre (mousse)
11	965 603 021	1	Bougie
12	122 164 010	1	Cordon de lancement ø4,0x1000 mm
13	001 161 020	1	Poignée de lancement
14	394 163 020	1	Ressort de rappel dans carter
15	923 208 004	2	Ecrou hexag. M8
16	941 719 140	1	Clé combinée Ouverture 13/19
17	940 827 000	1	Tournevis coudé T27
18	944 340 001	1	Tournevis (carburateur)
19	394 174 140	1	Pare-étincelles cpl.

Accessoires (non compris dans la livraison)

Disque à découper en diamant 12"/0.8"

22	966 221 020	1	Béton Standard diam. 300/20 mm
22	966 321 020	1	Béton DiaDuran diam. 300/20 mm
22	966 221 010	1	Asphalte Standard diam. 300/20 mm
22	966 321 010	1	Asphalte DiaDuran diam. 300/20 mm
14"/0.8"			
22	966 241 020	1	Béton Standard diam. 350/20 mm
22	966 341 020	1	Béton DiaDuran diam. 350/20 mm
22	966 241 010	1	Asphalte Standard diam. 350/20 mm
22	966 341 010	1	Asphalte DiaDuran diam. 350/20 mm
14"/1.0"			
22	966 244 020	1	Béton Standard diam. 350/25,4 mm
22	966 344 020	1	Béton DiaDuran diam. 350/25,4 mm
22	966 244 010	1	Asphalte Standard diam. 350/25,4 mm
22	966 344 010	1	Asphalte DiaDuran diam. 350/25,4 mm
-	394 228 121	1	Anneau adaptateur diam. 0.8"/1.0" (20/25,4 mm)
24	010 114 081	1	Bouchon de réservoir angulaire cpl.
25	700 394 322	1	Chariot de guidage PT-2000 cpl.
26	957 802 200	1	Réservoir d'eau sous pression cpl.
27	394 365 330	1	Conduite d'eau au réseau d'alimentation cpl.
28	394 114 270	1	Pied à roulettes complet
-	949 000 035	1	Nourrice combinée (5l carburant, 2,5l huile)



COBERTURA DE GARANTÍA SOBRE DEFECTOS EN COMPONENTES DE EMISIONES

DOLMAR U.S.A, Inc garantiza al primer comprador minorista y a cada propietario posterior que este equipo utilitario ha sido diseñado, construido y equipado cumpliendo en el momento de la venta inicial con todas las regulaciones aplicables de la U.S. Environmental Protection Agency (EPA) [Agencia de protección medioambiental de los EE.UU.] y que la máquina no tiene ningún defecto en los materiales y la mano de obra, que pudiesen hacer que no cumplierse con las regulaciones EPA durante el periodo de garantía.

Para los componentes relacionados en PIEZAS CUBIERTAS, el distribuidor de servicio autorizado por DOLMAR realizará el diagnóstico, reparación o sustitución que sean necesarios para asegurar que la máquina cumple con las regulaciones EPA aplicables de los EE.UU., sin coste alguno para Ud.

PERIODO DE GARANTÍA DE DEFECTOS EN COMPONENTES DE EMISIONES

El periodo de garantía para esta máquina comenzará en la fecha de venta al comprador inicial y proseguirá durante un periodo de 2 años.

PIEZAS CUBIERTAS

A continuación se relacionan las piezas cubiertas por la Garantía de Defectos en Componentes de Emisiones.

Algunas de las piezas relacionadas a continuación pueden necesitar mantenimiento programado y están garantizadas hasta el primer punto de sustitución programado de dicha pieza.

Sistema de medición de combustible

Carburador y piezas internas
Filtro de combustible, si procede
Obturador de la mariposa, si procede
Sistema de difusión, si procede

Sistema de inducción de aire

Placa de filtro de aire, filtro de aire
Caja de filtro de aire, manguito de conexión

Sistema de encendido

Bujías
Magneto de volante
Bobina de encendido

Elementos varios usados en los sistemas anteriores

Mangueras de combustible, abrazaderas y juntas de estanqueidad

OBTENCIÓN DEL SERVICIO DE GARANTÍA

Para obtener el servicio de garantía, lleve su máquina al Centro de Servicio autorizado DOLMAR más próximo. Lleve su justificante de compra donde se indique la fecha de compra de la máquina. El distribuidor de servicio autorizado por DOLMAR efectuará las reparaciones o ajustes necesarios en un tiempo razonable y le proporcionará una copia del pedido de reparación. Todas las piezas y accesorios sustituidos bajo esta garantía pasarán a propiedad de DOLMAR.

QUÉ NO ESTÁ CUBIERTO

- Los daños derivados de manipulación indebida, uso incorrecto, ajuste inadecuado (a menos que fuesen realizados por el distribuidor de servicio autorizado por DOLMAR durante una reparación de garantía), modificación, accidente, uso de combustible o aceite distintos a los recomendados o no realización de los servicios de mantenimiento necesarios.
- Las piezas de recambio usadas para los servicios de mantenimiento requeridos.
- Los daños emergentes como pérdida de tiempo, molestias, pérdida de uso de la máquina o del equipo, etc.
- Costes de diagnóstico e inspección que no den como resultado la realización de un servicio en garantía.
- Cualquier pieza de recambio no autorizada o funcionamiento anómalo de las piezas autorizadas debido a uso de piezas no autorizadas.

RESPONSABILIDADES DEL PROPIETARIO RESPECTO A LA GARANTÍA

Como propietario de la máquina, Ud. es responsable de que se realice el mantenimiento necesario indicado en su manual del propietario. DOLMAR le recomienda que conserve todos los justificantes que cubran el mantenimiento de su máquina, pero DOLMAR no puede rechazar la prestación de la garantía solamente por la falta de los justificantes o porque Ud. no puede asegurar la realización de todo el mantenimiento programado. Sin embargo, como propietario de la máquina, debe ser consciente de que DOLMAR puede denegar la cobertura de la garantía si su máquina o una pieza han fallado debido a trato inadecuado, negligencia, mantenimiento incorrecto o modificaciones no autorizadas. Ud. es responsable de llevar la máquina al distribuidor de servicio autorizado por DOLMAR más próximo cuando exista un problema. Si tiene alguna duda respecto a sus derechos de garantía y responsabilidades, debe ponerse en contacto con el Departamento de Servicio de Garantía de DOLMAR en 1-888-OPE-PART para obtener información.

COSAS QUE DEBE SABER SOBRE LA GARANTÍA DEL SISTEMA DE CONTROL DE EMISIONES:

MANTENIMIENTO Y REPARACIONES

Ud. es responsable del mantenimiento correcto de la máquina. Debe conservar todos los justificantes y registros de mantenimiento que controlen el mantenimiento regular por si surgen problemas. Estos justificantes y registros de mantenimiento deben transferirse a cada propietario posterior de la máquina. DOLMAR se reserva el derecho a negar la cobertura de la garantía si la máquina no ha sido mantenida adecuadamente. Sin embargo, no se negará la cobertura de la garantía exclusivamente debido a la falta de mantenimiento necesario o por no llevar los registros de mantenimiento.

EL MANTENIMIENTO, SUSTITUCIÓN O REPARACIÓN DE LOS DISPOSITIVOS Y SISTEMAS DE CONTROL DE EMISIONES PUEDEN SER REALIZADOS POR CUALQUIER PERSONA O TALLER DE REPARACIÓN; SIN EMBARGO, LAS REPARACIONES DE GARANTÍA DEBEN SER REALIZADAS POR UN DISTRIBUIDOR DE SERVICIO AUTORIZADO POR DOLMAR. EL USO DE PIEZAS QUE NO TENGAN UN RENDIMIENTO Y DURABILIDAD EQUIVALENTES A LAS PIEZAS AUTORIZADAS PUEDE PERJUDICAR LA EFICACIA DEL SISTEMA DE CONTROL DE EMISIONES Y PUEDE TENER IMPORTANCIA SOBRE EL RESULTADO DE UNA SOLICITUD DE GARANTÍA.

Si se usan piezas no autorizadas por DOLMAR para sustituciones de mantenimiento o para la reparación de componentes que afecten al control de emisiones, debe asegurarse de que estas piezas estén garantizadas por su fabricante como equivalentes a las piezas autorizadas por DOLMAR en su rendimiento y durabilidad.

CÓMO EFECTUAR UNA RECLAMACIÓN

Todas las reparaciones que se lleven a cabo bajo la cobertura de esta garantía limitada debe ser realizada por un distribuidor de servicio autorizado por DOLMAR. En el caso de que cualquier pieza relacionada con las emisiones se considere como defectuosa durante el periodo de garantía, debe informar al Departamento de Servicio de Garantía DOLMAR en 1-888-OPE-PART y se le informará del distribuidor de servicio de garantía o proveedores de servicio donde puede realizarse la reparación en garantía.

Agradecemos su confianza

Ud. ha decidido adquirir una moderna cortadora a muela de DOLMAR. La empresa DOLMAR GmbH de Hamburgo es la productora de motosierras a gasolina más antigua del mundo (1927) y por esta razón dispone de una vasta experiencia en el campo de equipos manuales accionados con motor de gasolina. Al igual que las motosierras DOLMAR, también las cortadoras a muela de DOLMAR disponen de motores de alto rendimiento con una excelente potencia másica, es decir, con una elevada potencia de motor a un peso bajo. Otras ventajas de las cortadoras a muela de DOLMAR:

- Construcción robusta y alta fiabilidad.
- Encendido electrónico libre de mantenimiento, con protección hermética contra el polvo y la humedad.
- Dispositivo antivibratorio según el sistema DOLMAR de 2 masas (D2M) para un trabajo a prueba de fatiga, incluso con un aparato manual.
- Sistema de filtraje de aire de cinco fases para un funcionamiento confiable, incluso con fuerte producción de polvo
- Dos diferentes posibilidades de montar la muela de tronzar: en la posición media para un equilibrio óptimo del aparato manual, o en posición exterior para realizar cortes junto a muros o bordes de aceras, o bien horizontales directamente sobre el suelo.
- Accesorios completos en muelas de tronzar aglomeradas con resina sintética y dotadas de diamantes, así como carro guía con colector de polvo y diferentes sistemas de suministro de agua a la muela de tronzar.

En el equipo están realizados los siguientes derechos de propiedad industrial:

US 08510690, SE 95027298, SE 95027306, IT 95000653, IT 95000654, GBM 9412558, GBM 9412559.

Deseamos contarle entre los clientes satisfechos con DOLMAR.

A efectos de asegurar siempre un funcionamiento y un rendimiento óptimo de su cortadora a muela DOLMAR y de garantizar su seguridad personal, le rogamos que tenga en cuenta lo siguiente:

Es indispensable leer con mucha atención el manual de instrucciones y de seguridad antes de utilizar la corta-dora a muela por primera vez. ¡Preste especial atención a las recomendaciones de seguridad! ¡La no observación de estas instrucciones puede ocasionar lesiones con peligro de muerte!



¡ADVERTENCIA!

Algunos polvos que se producen al realizar trabajos por chorro de arena, aserrado, esmerilado y rectificado, barrenado, perforación y demás trabajos que implican separación de materiales, contienen sustancias químicas que pueden ocasionar cáncer, defectos durante el embarazo u otros daños secuenciales posteriores en la salud a causa de su concentración en el organismo humano (conocidas en California, EE.UU.).

Algunas de estas sustancias químicas son, por ejemplo:

- plomo, en pinturas con plomo
- silicatos cristalizados, en ladrillos, cemento y otros materiales de mampostería
- arsénico y cromo, en maderas sometidas a tratamiento químico

El riesgo de exposición a estos productos varía dependiendo de la frecuencia con la que se realicen los trabajos arriba mencionados.

Reduzca su exposición a estas sustancias químicas trabajando exclusivamente en un entorno siempre bien aireado y únicamente utilizando un equipo de seguridad autorizado (p. ej., máscara protectora contra polvos, filtros) y diseñado específicamente para la filtración de partículas microscópicas.

El período de conformidad relativa a las emisiones que figura en la etiqueta de cumplimiento con las emisiones, indica el número de horas de funcionamiento durante las que se ha demostrado que el motor cumple con los requisitos federales sobre emisiones. Categoría C= 50 horas, B= 125 horas, and A= 300 horas.

Índice

Embalaje	63
Extensión del suministro	64
Símbolos	64

RECOMENDACIONES DE SEGURIDAD

Uso según lo dispuesto	65
Recomendaciones generales	65
Accesorios para su protección	65-66
Combustibles / Cargar combustible	66
Puesta en marcha	66
Muelas de tronzar	67
Repulsión (kickback) y arrastre	68
Comportamiento / Método de trabajar	68
Separar metales	69
Separar piedra, hormigón, amianto o asfalto	69-70
Transporte y almacenamiento	70
Mantenimiento	71
Los primeros auxilios	71

Datos técnicos	72
Denominación de los componentes	72

PUESTA EN MARCHA

Montaje de la muela de tronzar	73
Tensión de la correa trapezoidal / Controlar la tensión	74
Montar tubería de agua bajo presión	74-75
Combustibles / Cargar combustible	75-76
Arrancar el motor	77
Arranque en frío	77
Arranque en caliente	78
Parar el motor	78

Ajustar el carburador	79
-----------------------------	----

MANTENIMIENTO

Recambio de la correa trapezoidal	80
Limpieza de la cubierta de protección	81
Limpieza/ recambio del filtro de aire	81-82
Cambiar la bujía	82
Cambiar la cabezal de aspiración	83
Recambio de la cuerda de arranque	83-84
Recambio del muelle recuperador	84
Instrucciones para el mantenimiento regular	88

Dispositivo de tronzar en posición media /

posición externa	85-86
Cambio de posición del dispositivo de tronzar	85-86
Recambio/limpieza de la rejilla parachispas	86

ACCESORIOS ESPECIALES

Muelas de tronzar diamantadas, carro-guía, tanque de agua y tubería de agua a red/a presión	87
--	----

Servicio, piezas de repuesto y garantía	88-89
---	-------

Localización de averías	89
-------------------------------	----

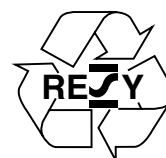
Extracto de la lista de piezas de repuesto	90
Accesorios	90

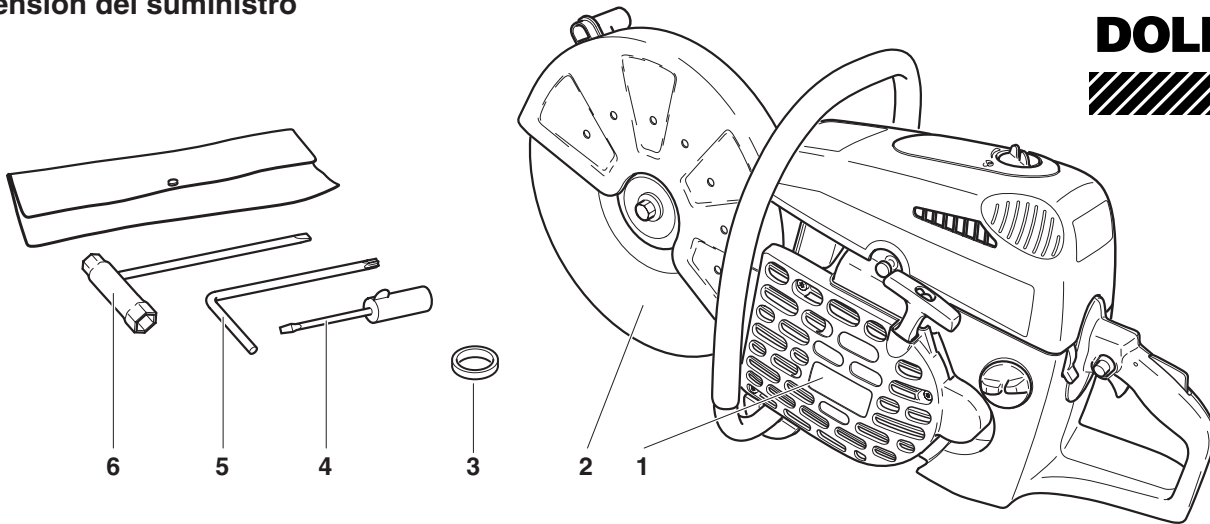
Estaciones de servicio	92
------------------------------	----

Embalaje

Su cortadora a muela DOLMAR se encuentra en un cartón que la protege contra daños de transporte.

Cartonajes son una materia prima que se puede reciclar (regeneración de papelote) o utilizar nuevamente.





1. Cortadora de muela de tronzar
2. Muela de tronzar
3. Anillo adaptador 0.8"/1.0" (generalmente no incluido en el volumen de suministro, específico para el país)
4. Destornillador (para regulación del carburador)
5. Destornillador acodado
6. Herramienta de montaje 13/19
7. Instrucciones de manejo (no ilustradas)

Si uno de los componentes indicados en la lista no está incluido en la extensión del suministro, póngase en contacto con su vendedor.

Símbolos

En el equipo y durante la lectura de las instrucciones de manejo, Ud. se encontrará con los siguientes símbolos:

	¡Leer las instrucciones de manejo y observar las advertencias e instrucciones de seguridad!		Conmutador combinado start/stop (I/O), choke
	¡Cuidado y atención especiales!		Bloqueado
	¡Prohibido!		Desbloqueado
	¡Usar del casco de seguridad, la protección de ojos y del oído!		Presionar la válvula de descompresión
	¡Llevar guantes protectores!		Arrancar el motor
	¡Llevar equipo respirador!		Aplicación en invierno
	¡Prohibido fumar!		¡Parar el motor!
	¡Prohibido fuego abierto!		¡Cuidado con las repulsiones! (Kickback)
	Dirección de giro de la muela de tronzar		Mezcla de combustible
	¡Velocidad máxima del perímetro de la muela de tronzar 80 m/s!		Los primeros auxilios
	Dimensiones de la muela de tronzar		Reciclaje
	¡No utilizar nunca hojas de sierra circular!		

RECOMENDACIONES DE SEGURIDAD

Uso según lo dispuesto

Cortadora de muela de tronzar

La cortadora de muela de tronzar debe utilizarse sólo para cortar/tronzar materiales apropiados con la muela de tronzar autorizada para el aparato.

Técnica de trabajo no autorizada:

Las muelas de tronzar de la cortadora no deben utilizarse para rectificar (desgastar material con la superficie lateral de la muela de tronzar). ¡Existe peligro de rotura de la muela de tronzar! Está prohibido montar en la cortadora de muela de tronzar hojas de sierra, cuchillas, cepillos, etc.

Operadores no autorizados:

Las personas no familiarizadas con las instrucciones de manejo, los niños, jóvenes, así como las personas bajo la influencia de alcohol, drogas o fármacos no deben manejar el aparato.

Recomendaciones generales

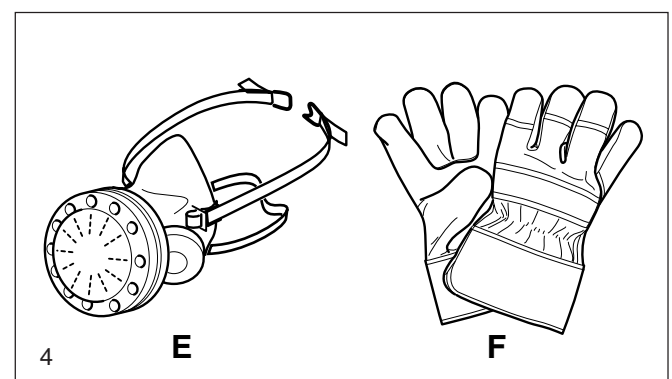
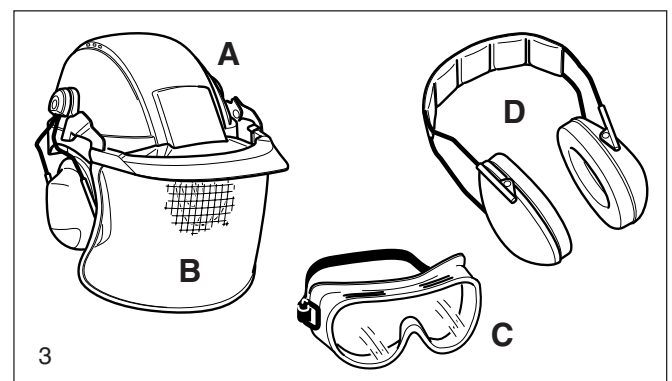
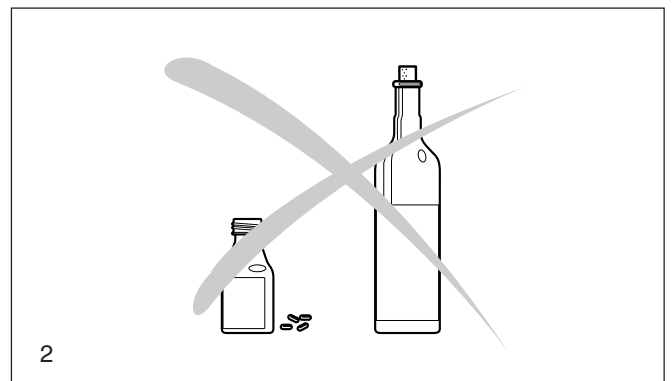
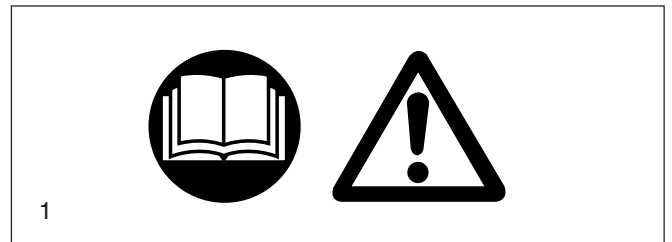
- **A efectos de asegurar un manejo seguro, el usuario deberá leer sin falta estas instrucciones de manejo (aún cuando ya disponga de experiencia en el trabajo con una cortadora)** para familiarizarse con el manejo de este equipo. Operadores no bien informados pueden arriesgar su seguridad y la de otras personas si manejan la cortadora de muela de tronzar inadecuadamente.
- Preste la cortadora solamente a aquellos usuarios que ya tengan experiencia con el manejo de una cortadora. Entréguela junto con las instrucciones de manejo.
- Los usuarios que la utilizan por primera vez deben instruirse con un técnico especializado para familiarizarse con las particularidades de la cortadora accionada a motor.
- Los niños y los jóvenes menores de 18 años no deben usar la cortadora. Exceptuados de esta prohibición son menores de más de 16 años si trabajan con la cortadora por razones de formación y están bajo la vigilancia de un perito.
- El trabajo con la cortadora de muela de tronzar requiere un alto grado de concentración.
- Trabajar sólo en buen estado físico. Cansancio corporal también causa descuido. Al fin de una jornada la atención debe ser especialmente grande. Efectuar todos trabajos con calma y cuidado. El operador es responsable para la seguridad de otras personas.
- No trabajar nunca bajo la influencia de alcohol, medicamentos o de otras sustancias que pudieran afectar la capacidad visual, la habilidad o la capacidad de discernir.
- Si se trabaja en una vegetación ligeramente inflamable o durante sequedad, es necesario tener un extintor al lugar de trabajo (peligro de incendio forestal).
- El cortado de amianto o de materias que puedan liberar sustancias tóxicas solamente podrá realizarse previo aviso y bajo la supervisión de las autoridades competentes o de la persona encargada, con las correspondientes medidas de seguridad.
- Se recomienda encarecidamente el uso de dispositivos aglutinantes del polvo (véase la página Accesorios, depósito de agua a presión, depósito de agua).

Accesorios para su protección

- **Para evitar heridas en cabeza, ojos, manos, pies y oído, hay que llevar el equipo descrito a continuación.**
- Llevar ropa adecuada, es decir ropa que es ajustada al cuerpo pero no inconveniente. Durante el cortado, especialmente cuando se corta metal, no deberá llevarse vestimenta en la que pueden incorporarse granos de material (pantalones con vuelta, chaquetas o pantalones con bolsillos descubiertos, etc.).
- No llevar joyas o vestimenta que pueda enredarse o que pueda distraer al usuario del proceso de cortado.
- Se debe llevar un **casco de seguridad (A)** cuando se trabaja en el bosque. Protege contra ramas que caen desde arriba.

Comprobar regularmente si el casco de seguridad tiene daños y cambiarlo después de 5 años, lo más tarde. Únicamente llevar cascos de seguridad con certificado de prueba.

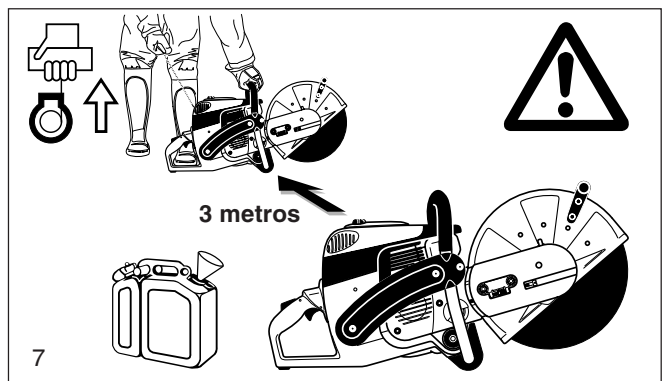
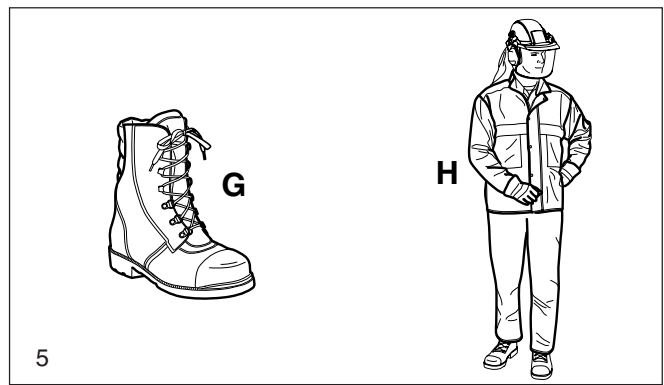
- La **protección facial (B)** del casco resguarda del polvo de amoladura y de los granos de material. Para evitar lesiones en los ojos y en la cara, siempre debe llevarse una **visera (C)** o una protección facial mientras se trabaje con la cortadora.
- a efectos de evitar daños en el oído siempre deben usarse equipos **antiacústicos personales** adecuados. (protección de los oídos (D), cápsulas, algodón encerado etc.). Análisis de banda de octava, a pedido.
- Durante el cortado en seco de material pedroso que ocasione polvo fino (piedra, hormigón, etc.) deberá llevarse sin excepción un **equipo respirador** reglamentario (E).
- Los **guantes de trabajo** de cuero firme (F) son parte del equipo reglamentario y deben llevarse constantemente durante el trabajo con la cortadora.



- Durante el trabajo con la cortadora deben llevarse **zapatos de seguridad** o **botas de seguridad** (G) con suela antideslizante, puntera de acero y protección de piernas. Los zapatos de seguridad con plantilla especial protegen contra cortaduras y garantizan estabilidad.
- Durante todos los trabajos use siempre un **traje de trabajo** (H) de material resistente y retardo de las llamas suficiente.

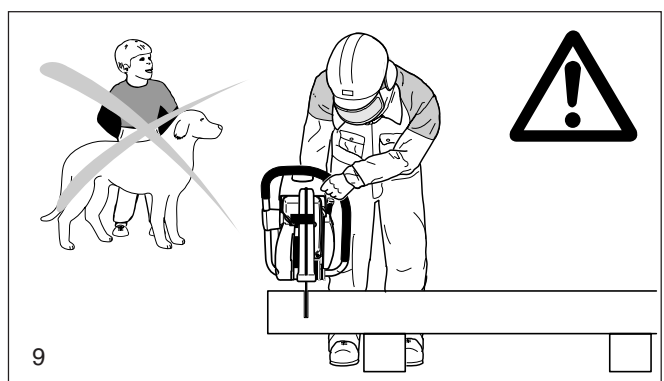
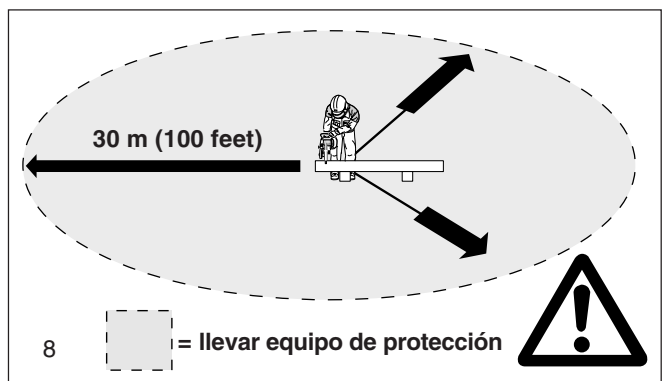
Combustibles / Cargar combustible

- Antes de cargar el depósito o tanque, buscar un sitio seguro y plano. **Está prohibido cargar el tanque sobre un andamio, una pila de material o en sitios similares.**
- Antes de cargar el depósito de la cortadora/tronzadora, el motor debe estar apagado.
- Es prohibido fumar o trabajar cerca de fuegos abiertos (6).
- Antes de cargar el tanque, deje enfriar la máquina.
- Combustibles pueden contener sustancias a modo de disolventes. Evitar el contacto de la piel y los ojos con el combustible. Llevar guantes al cargar combustible (pero no los guantes de trabajo). Cambiar y limpiar su ropa de seguridad con frecuencia. No aspirar vapores de combustible. La inhalación de gases de escape puede perjudicar la salud.
- No vuelque combustible. Si se hubiera volcado combustible, limpiar inmediatamente la cortadora de muela de tronzar. Evitar el contacto de su ropa con combustible. Cambiarse inmediatamente si su ropa ha tenido contacto con combustible.
- Prestar atención a que combustible o aceite no se fuguen por la tierra (protección del ambiente). Usar una base apropiada.
- No cargar combustible en lugares cerrados. El vapor de combustible se acumulará cerca del suelo (peligro de explosión).
- Cerrar firmemente los depósitos de combustible con los tapones.
- Cambie de sitio antes de poner en marcha la cortadora de muela de tronzar (a una distancia mínima de 3 metros del sitio de carga (7), pero no en el alcance de giro (dirección de vuelo de chispas) de la muela de tronzar.
- Combustibles son de conservabilidad limitada. No comprar más del que se pueda consumir pronto.
- Cuando elabore la mezcla de gasolina/aceite correcta, incorpore siempre primero el aceite y luego la gasolina en el recipiente mezclador.
- Transportar y almacenar combustible sólo en bidones admitidos y marcados.
- **Mantener el combustible lejos del alcance de los niños.**



Puesta en marcha

- **No trabajar solo, es indispensable que haya una persona que pueda pedir auxilio en caso de emergencia** (al alcance de la voz).
- Cuando se utilice la cortadora en zonas residenciales deberán observarse las prescripciones de protección contra ruidos.
- **La cortadora no debe utilizarse cerca de materiales inflamables o de gases explosivos, porque la cortadora puede generar chispas.**
- Asegúrese de que las personas que se encuentren a una distancia menor de 30 m (100 feet) del lugar de trabajo (p. ej., personal auxiliar) lleven un equipo de protección (véase „equipo de protección personal”) (8). Los niños y las demás personas deberán mantener una distancia mínima de 30 m (100 feet) del sector de trabajo de la cortadora. Prestar atención a que tampoco no están animales (9).
- **Antes de comenzar el trabajo, comprobar si la cortadora de muela de tronzar funciona correctamente y si su estado corresponde a las prescripciones de seguridad de servicio.** Comprobar especialmente el estado de la muela de tronzar (recambiar inmediatamente una muela de tronzar agrietada, dañada o torcida); comprobar el montaje correcto de la muela, si la cubierta de protección está encastrada, si la protección de correa trapezoidal está fija, si la tensión de la correa trapezoidal es correcta, si el acelerador se puede accionar suavemente, si el bloqueo del acelerador funciona correctamente, si los asideros están limpios y secos y si el conmutador combinado funciona correctamente (start/stop” (I/O), Choke).
- La cortadora solamente se debe poner en marcha después del montaje completo y de una inspección exhaustiva. ¡Nunca trabajar con la cortadora si no está montada completamente!



Muelas de tronzar

- Siempre debe estar montada la cubierta de protección.
¡Recambie la muela de tronzar solamente cuando el motor está desconectado!
- Existen dos tipos de muelas de tronzar:
 - para metales (corte en caliente)
 - para hormigón (corte en frío)

ADVERTENCIA: Cuando se utilicen muelas de tronzar diamantadas deberán observarse sin falta sus marcas que indican la dirección de giro. Las muelas de tronzar diamantadas no son adecuadas para trabajar metales.

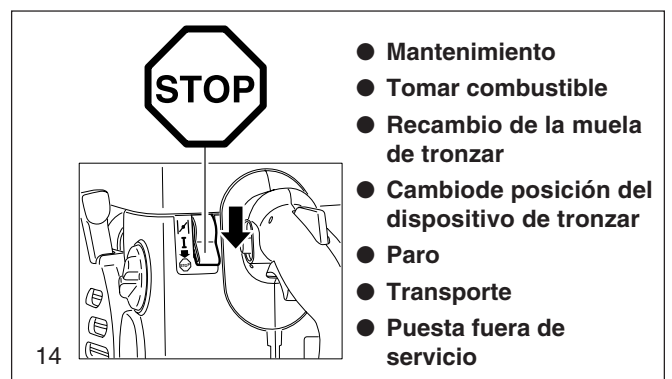
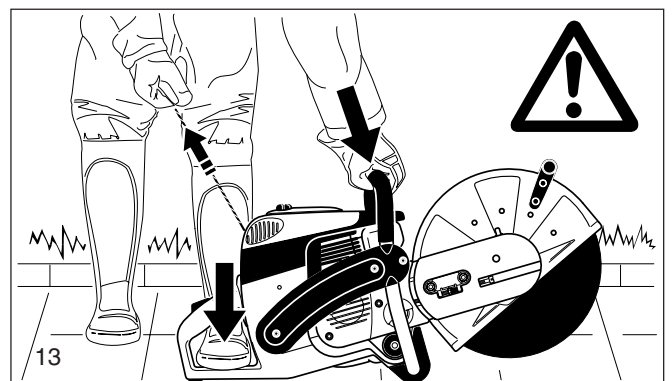
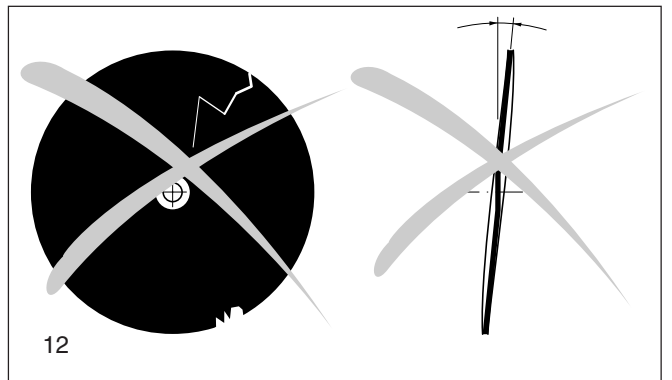
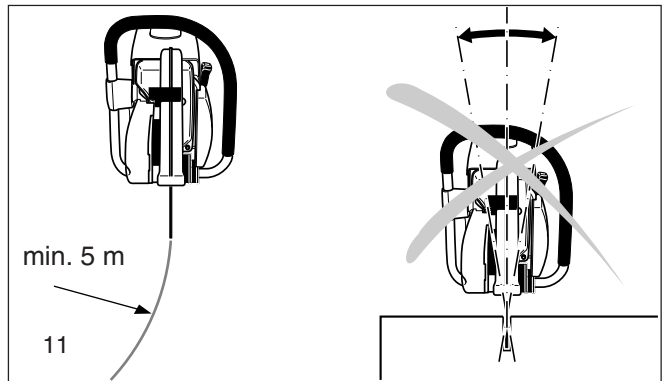
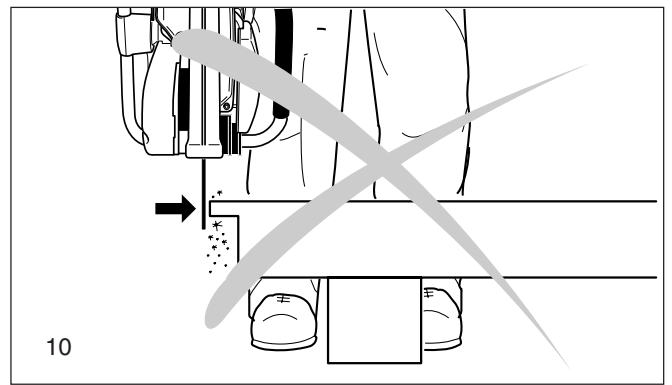
- Las muelas de tronzar solamente están diseñadas para una carga radial, para cortar. Está prohibido utilizar las superficies laterales de la muela de tronzar para el tronzado o cepillado
¡Peligro de rotura! (10)

¡Atención! ¡Durante el procedimiento de cortado está prohibido cambiar de dirección (radios menores de 5 m(16 feet)), ejercer presión lateral o volcar la cortadora (11)!

- Las muelas de tronzar solamente pueden utilizarse para separar los materiales previstos. El tipo de muela deberá escogerse de acuerdo al material a trabajar (metal u hormigón).
- El orificio interior de la muela de tronzar debe encajar con precisión en el eje. Si el orificio interior es grande, debe compensarse con un anillo adaptador (accesorio adicional).
- Las muelas de tronzar deben estar autorizadas para tronzar a pulso con muelas de 350 mm de diámetro hasta 43701 /min o 80 m/s o con muelas de 300 mm de diámetro hasta 5100 1/min o 80 m/s. Deben utilizarse exclusivamente muelas de tronzar que cumplan con EN 12413, EN 13236 o BGV D 12 .
- Uela de tronzar debe estar totalmente intacta (12).

El tornillo de sujeción para la muela de tronzar siempre se debe ajustar con 30 Nm, ya que de lo contrario podría producirse una torsión de la muela de tronzar.

- Antes de conectar la cortadora a la red, el operador debe ocupar una posición estable.
- Conectar la cortadora a la red sólo como descrito en las instrucciones de manejo (13). Colocar siempre el pie izquierdo en el asidero y empuñar el asidero de puente usando también el pulgar. Otros métodos de arrancar el motor no son admisibles.
- Al arrancar la cortadora sostenerla seguramente. La muela de tronzar debe estar libremente suspendida.
- Antes del primer procedimiento de tronzado, una muela de tronzar nueva debe probarse al menos durante 60 segundos a las máximas revoluciones indicadas; durante la prueba no debe encontrarse en el alcance de giro prolongado de la muela ninguna persona o parte del cuerpo humano.
- **Durante el trabajo sostener la cortadora con ambas manos.** Poner la mano derecha al asidero trasero, la mano izquierda al empuñadura de puente. Empuñar firmemente los mangos con sus pulgares.
- **ATENCIÓN: Después de haberse soltado el acelerador, la muela sigue girando un tiempo más** (efecto de inercia).
- Siempre prestar atención a una posición estable.
- Manejar la cortadora de manera que no se pueda aspirar el gas de escape. No trabaje en recintos cerrados ni en fosas profundas (peligro de intoxicación).
- **Desconectar la cortadora inmediatamente de la red si cambia su comportamiento.**
- **El motor debe apagarse siempre antes de comprobar la tensión de la correa trapezoidal, para ajustar la tensión, para recambiar la muela de tronzar, para cambiar la posición del dispositivo tronzar** (posición externa y/o posición media) **y para eliminar estorbos** (14).
- Cuando se produzcan cambios audibles o sensibles en el comportamiento de tronzado debe desconectarse inmediatamente el motor y revisarse la muela (14).
- Durante las pausas de trabajo y una vez terminado el mismo deberá desconectarse la cortadora (14), colocándola de tal modo que la muela de tronzar quede libremente suspendida y no pueda poner a nadie en peligro.
- No poner la cortadora calentada en hierba seca. El silenciador emite mucha calor (peligro de incendio).
- **ATENCIÓN:** Después del procedimiento de cortado en húmedo, deberá cerrarse primero el paso del agua y dejarse en marcha la muela de tronzar durante al menos 30 segundos más para expulsar el agua y evitar la corrosión.



Repulsión (kickback) y arrastre

- Durante el trabajo con la cortadora pueden producirse peligrosos efectos de repulsión o de arrastre.
- La repulsión se produce cuando se utiliza el sector superior de la muela para el tronzado (15).
- Cuando esto sucede, la cortadora sufre una aceleración o lanzamiento descontrolado en dirección hacia la persona que la maneja (**¡peligro de lesiones!**).

Para evitar la repulsión debe observarse lo siguiente:

- Nunca efectuar tronzados en el sector que indica la figura 15. **Debe tenerse mucha precaución cuando se realiza una inserción en incisiones ya iniciadas.**
- El arrastre se produce cuando la incisión se estrecha (grieta, o pieza que está bajo tensión).
- En ese caso, la cortadora es lanzada/acelerada en forma descontrolada y con gran energía hacia adelante (**¡peligro de lesiones!**).

Para evitar el arrastre debe observarse lo siguiente:

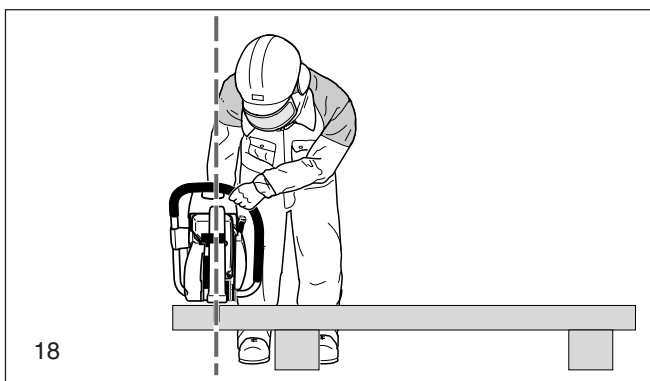
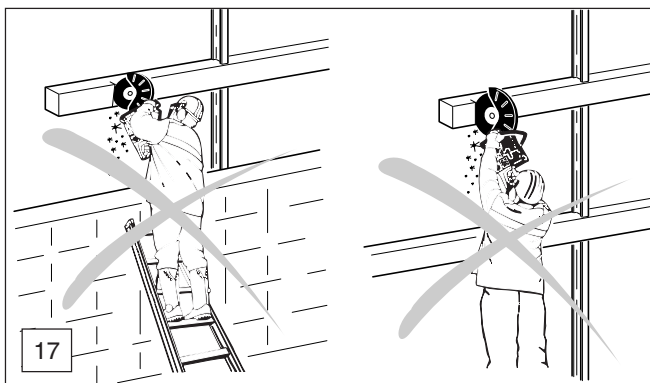
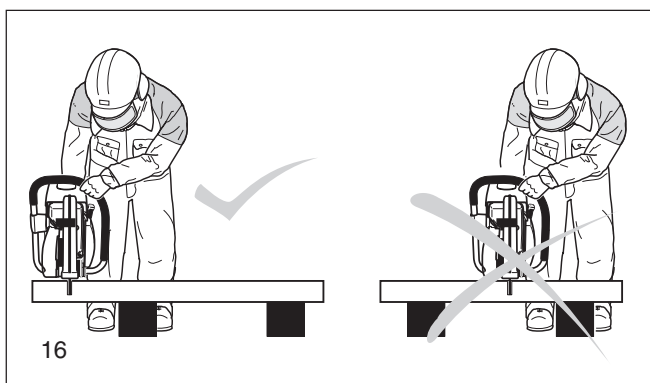
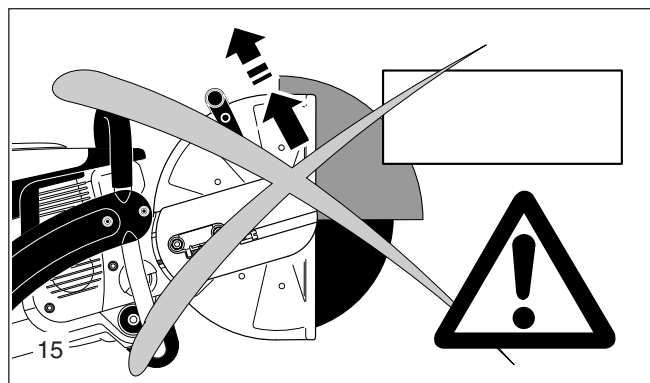
- El procedimiento de tronzado y la reincorporación en incisiones ya iniciadas deben realizarse siempre a máximas revoluciones.
- La pieza a trabajar siempre debe asegurarse de tal manera que la incisión se encuentre bajo esfuerzo de tracción (16), a efectos de evitar que la muela de tronzar no quede aprisionada durante el tronzado subsiguiente.
- Al iniciar el procedimiento de tronzado, la muela de tronzar siempre debe conducirse cuidadosamente hasta la pieza a trabajar, evitando el contacto brusco.
- Nunca deben separarse varias piezas a la vez. Durante el tronzado debe ponerse atención en que no se toque ninguna otra pieza.

Comportamiento / Método de trabajar

- Antes de iniciar la tarea, inspeccionar el área de trabajo por cualquier tipo de peligro (cables eléctricos, sustancias inflamables). Identificar claramente el área de trabajo (p. ej., colocando carteles de advertencia o cordones de seguridad).
- Sujetar la cortadora en marcha fuertemente por el asidero delantero y trasero. ¡La cortadora nunca se debe dejar en marcha sin vigilancia!
- Utilizar la cortadora de muela de tronzar, en la medida que sea posible, con revoluciones altas (véase la página "Datos técnicos»).
- Trabajar únicamente si las condiciones de visibilidad y luz son buenas. Prestar atención especial a superficies congeladas, humedad y nieve (peligro de deslizarse).
- Nunca trabajar en un terreno inestable. Prestar atención a obstáculos en la zona de trabajo, peligro de tropezar. Siempre prestar atención a una posición estable.
- Nunca corte por encima de la altura de los hombros (17).
- Nunca corte parado sobre una escalera (17).
- Nunca realice trabajos con la cortadora sobre un andamio.
- No trabaje demasiado inclinado hacia adelante. Para apoyar o para retirar la cortadora, flexione siempre las rodillas, pero nunca se agache.
- Conducir la cortadora de tal manera que ninguna parte del cuerpo se encuentre en el alcance de giro prolongado de la muela de tronzar (18).
- Las muelas de tronzar solamente deben utilizarse para tronzar las piezas previstas.
- No utilice la cortadora como palanca o como pala para eliminar restos de piezas trabajadas o de otros objetos.

¡Atención, peligro de lesiones! Limpie el sector del corte antes del procedimiento de tronzado de cuerpos extraños como piedras, clavos, etc. Los cuerpos extraños pueden ocasionar lesiones al ser proyectados.

- Para recortar una pieza, utilice una base segura, y si fuera necesario, asegúrela contra deslizamientos. La pieza no debe sujetarse con el pie o por otra persona.
- Las piezas a trabajar redondas deben asegurarse sin falta contra la torsión durante el corte.
- Las cortadoras manuales sólo deben usarse con el dispositivo tronzador en posición exterior en casos de necesidad, ya que la cortadora con el dispositivo tronzador en posición media dispone de un centro de gravedad más favorable que evita la fatiga prematura.



Separar metales

¡ATENCIÓN! ¡Llevar el equipo respirador reglamentario!

El tronzado de materias que puedan liberar sustancias tóxicas solamente podrá realizarse previo aviso y bajo la supervisión de las autoridades competentes o de la persona encargada.

¡PRECAUCIÓN! A causa de la velocidad de giro de la muela de tronzar, los metales se calientan y se funden. Bascular hacia abajo la cubierta protectora el máximo posible (19), para desviar hacia delante las chispas, lejos del operario (¡peligro de incendio elevado!).

- Determinar la juntura de separación, señalar y bajar sobre el material la muela de tronzar con revoluciones medias y cuando se corte una ranura-guía, seguir cortando con plena potencia y una presión superior.
- Llevar el corte recto y perpendicular sin ladearlo, ya que esto podría ocasionar la rotura de la muela.
- El modo más indicado para obtener un corte seguro y liso: arrastre y/o mueva la cortadora hacia adelante y atrás. No „empuje“ la cortadora dentro del material.
- Se recomienda efectuar gradualmente la separación de barras redondas (20).
- Los tubos delgados pueden separarse simplemente mediante un corte descendiente.
- Los tubos de gran diámetro deben tratarse como las barras redondas. Para evitar el ladeado y para un mejor control de procedimiento de tronzado, la muela de tronzar no debe penetrar con demasiada profundidad en el material. Cortar en redonda y con poca profundidad.
- A iguales revoluciones, las muelas de tronzar gastadas de poco diámetro tienen una menor velocidad periférica y por eso no cortan tan bien como las nuevas.
- Los perfiles en doble T o los perfiles angulares deben separarse por pasos, véase figura 21.
- Los flejes o las planchas de hierro se separan como los tubos; arrastrando con poca profundidad, con una larga superficie de corte.
- En el material que se encuentra bajo tensión (material apuntalado o empotrado) siempre debe hacerse primero una pequeña incisión en la parte bajo presión, separando luego desde la parte de tracción a efectos de evitar que la muela de tronzar quede atrapada. **¡Asegurar contra la caída el material que se va a cortar!**

ATENCIÓN: Cuando deba presumirse una tensión inicial, prepárese para la repulsión del material, asegurándose previamente de la posibilidad de retroceder.

Debe guardarse especial atención en los depósitos de chatarra, en sitios de accidentes o cuando hay pilas desordenadas de material. El material que se encuentra bajo tensión, que se desliza o que se rompe es difícil de controlar. **¡Asegurar contra la caída el material que se va a cortar!** Trabaje con sumo cuidado y solamente con aparatos en perfecto estado.

Observe las normas de prevención de accidentes de trabajo de la asociación gremial competente y de la compañía de seguros.

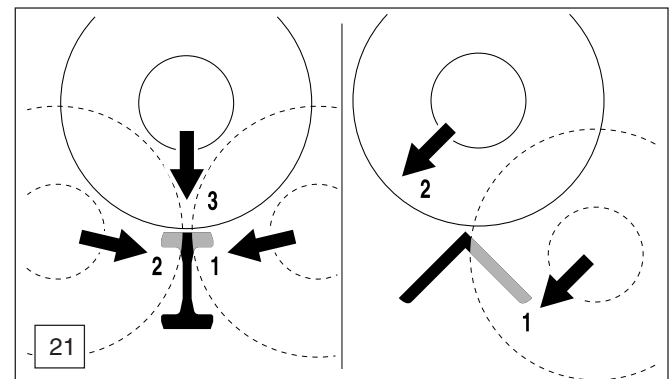
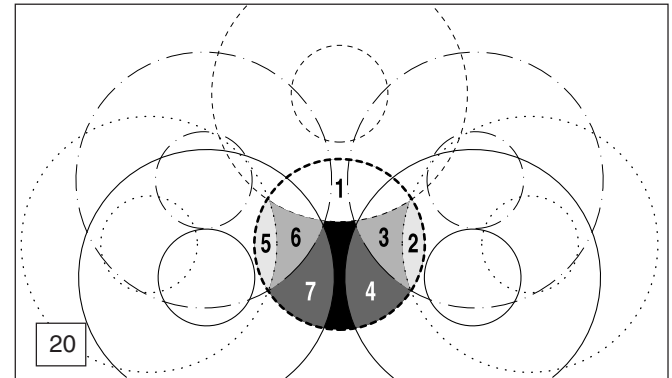
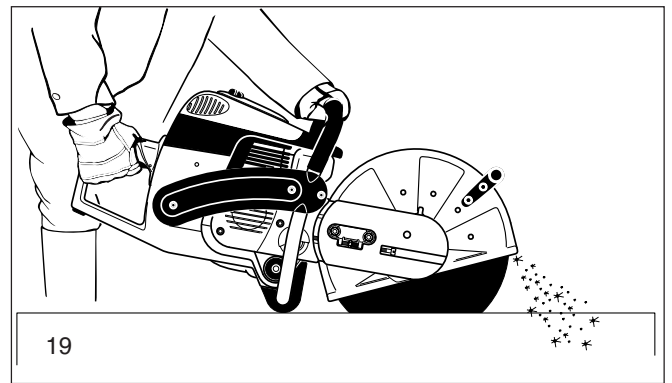
Tronzar piedra, hormigón, amianto o asfalto

¡ATENCIÓN!

¡Llevar sin falta el dispositivo respirador reglamentario!

El tronzado de amianto o de materias que puedan liberar sustancias tóxicas solamente podrá realizarse previo aviso y bajo la supervisión de las autoridades competentes o de la persona encargada. Para cortar pilares de hormigón pretensados y armados deberán observarse las instrucciones y las normas impartidas por las correspondientes autoridades o fabricantes. El corte de los hierros de armadura deberá efectuarse en el orden reglamentario y observando las instrucciones de seguridad pertinentes.

NOTA: El mortero, la piedra o el hormigón ocasionan grandes cantidades de polvo durante el corte. Para prolongar la vida útil de



la muela de tronzar (refrigeración), para un mejor control visual y para evitar una generación de polvo excesiva, es preferible optar por el procedimiento húmedo y no por el tronzado en seco. Para ello, la muela de tronzar debe ser regada con agua en forma constante de ambos lados por igual. En el programa DOLMAR Ud. encontrará el equipo indicado para todas las aplicaciones de tronzado húmedo (véase también „ACCESORIOS ESPECIALES“).

- Quitar cuerpos extraños como por ejemplo arena, piedras, clavos, etc., de la zona de corte. **¡Atención, sin falta, a los cables eléctricos!**

Dada la velocidad de giro de la muela de tronzar, el material es arrancado en el punto de contacto y expulsado de la ranura de corte. Bascular la cubierta protectora el máximo posible hacia abajo (23) para desviar las partículas de material tronzadas hacia delante, alejándolas del operario.

- Marcar el recorrido del corte, y en toda la longitud, a media marcha, tronzar una ranura de unos 5 mm de profundidad, que servirá de guía para la cortadora durante el procedimiento de corte que se realizará a continuación.

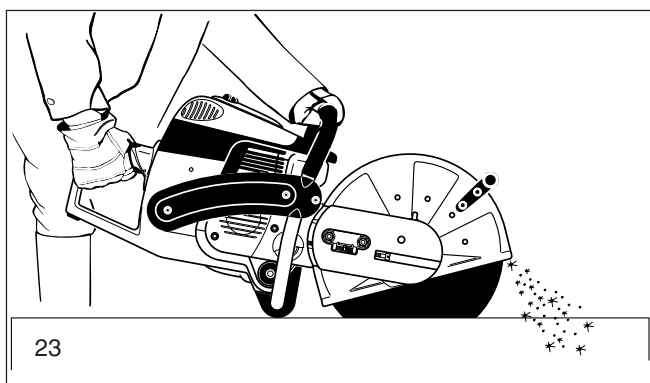
NOTA: Si los cortes son largos y rectos, se recomienda utilizar un carro-guía (24, véase también „ACCESORIOS ESPECIALES“), ya que facilita una conducción sencilla y recta de la cortadora que requiere poco esfuerzo.

- El proceso de tronzado se realiza con movimientos uniformes hacia adelante y hacia atrás.
- Para el ajuste de planchas de piedra es suficiente realizar una ranura de poca profundidad (para evitar la generación superflua de polvo) y luego, sobre una base plana, quitar por golpes precisos la pieza excedente (25).

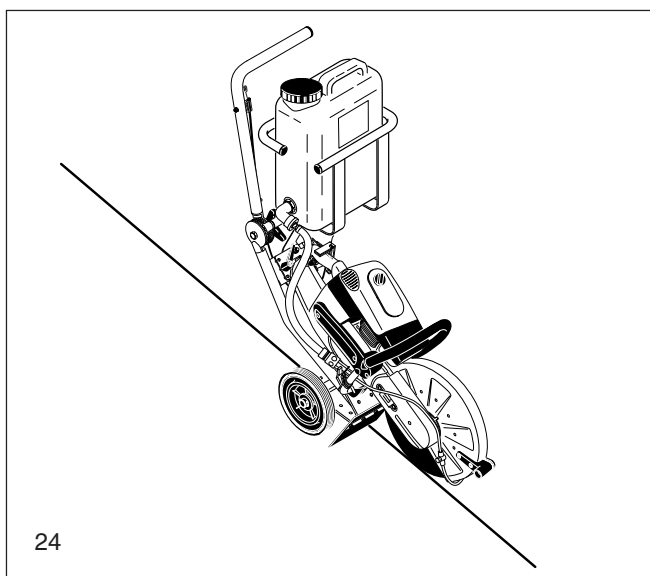
¡ATENCIÓN! Para trabajos de cortes a medida, caladas, recortados, etc., siempre deben determinarse previamente la dirección del corte y el orden de los cortes a realizar, para evitar que quede trabada la muela de tronzar por la pieza extraída o bien las lesiones ocasionadas por partes que caen.

Transporte y almacenamiento

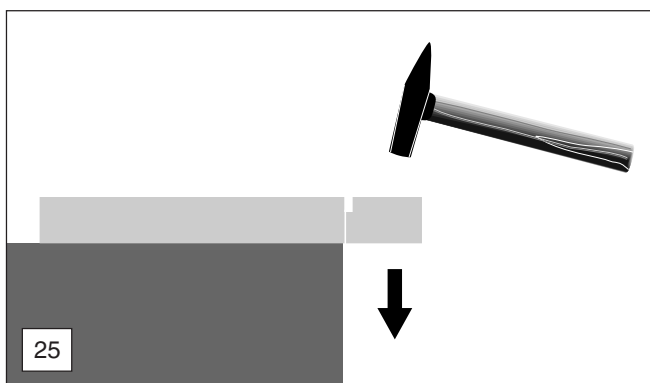
- **Para el transporte y para un cambio de ubicación durante un trabajo debe desconectarse la cortadora (26).**
- **La cortadora nunca debe cargarse ni transportarse con el motor y/o la muela de tronzar en marcha.**
- Cargar la cortadora únicamente cogida por la empuñadura de puente. La muela de tronzar indica hacia atrás (26). Evitar el contacto con el silenciador (peligro de quemaduras).
- Para el transporte a una distancia mayor, utilizar un carro o un coche.
- Para el transporte en el automóvil debe ponerse atención en una ubicación segura de la cortadora para que no pueda fugarse combustible. La muela de tronzar siempre debe desmontarse para el transporte en automóvil.
- La cortadora debe almacenarse segura en un recinto seco. No debe guardarse a la intemperie. La muela de tronzar debe desmontarse siempre. Dejar la cortadora lejos del alcance de los niños.
- **Antes de un almacenamiento más prolongado y antes de expedir la cortadora, léase sin falta el capítulo „indicaciones sobre mantenimiento y cuidados periódicos“. De todas maneras deberá vaciarse el tanque de combustible y limpiarse el carburador mediante marcha en vacío.**
- Durante el almacenamiento de las muelas de tronzar, proceder con especial cuidado:
 - Limpiarlas y secarlas cuidadosamente.
 - Guardarlas siempre en posición horizontal.
 - La humedad, las heladas, la radiación solar directa, las temperaturas elevadas o grandes cambios de temperatura deben evitarse, ya que de lo contrario las muelas se pueden romper o astillar.
- **Las muelas de tronzar nuevas o almacenadas siempre deben inspeccionarse en cuanto a posibles deterioros antes de su utilización** y antes de la primera operación de tronzado, probar durante un mínimo de 60 segundos con las revoluciones máximas indicadas, al hacerlo ninguna persona ni parte del cuerpo debe estar en la zona de basculamiento prolongada de la muela de tronzar.



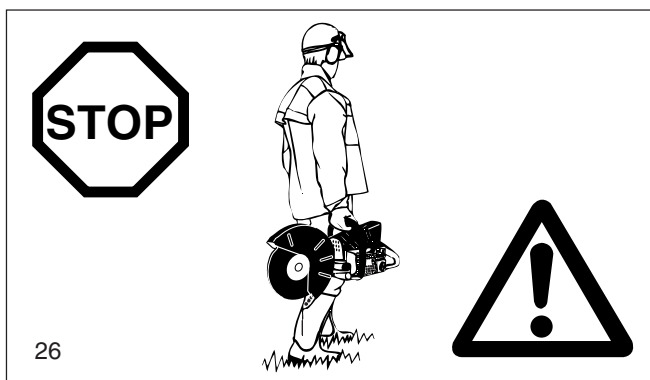
23



24



25



26

Mantenimiento

- **¡Para realizar trabajos de mantenimiento desconectar la cortadora, desacoplar el capuchón de bujía (27)!**
- Antes de iniciar cada trabajo debe comprobarse el funcionamiento seguro de la cortadora. Debe ponerse especial atención en el montaje reglamentario de la muela de tronzar. Asegurarse de que la muela de tronzar no esté dañada y que sea adecuada para el uso correspondiente.
- Siempre trabajar a un mínimo de ruido y un mínimo de emisión de sustancias dañinas. Prestar atención a un ajuste correcto del carburador.
- Limpiar la cortadora con regularidad.
- Comprobar con regularidad la hermeticidad del cierre del tanque.

Observar los reglamentos de prevención de accidentes de las asociaciones profesionales competentes y de las entidades aseguradoras. No altere la construcción de la cortadora bajo ningún aspecto. Vd. arriesga su propia seguridad.

Realizar únicamente los trabajos de mantenimiento y reparación indicados en las instrucciones de manejo. Dejar realizar todos los otros trabajos por el servicio de DOLMAR.

Utilice solamente piezas de recambio y accesorios de DOLMAR.

Si se utilizan piezas de recambio, accesorios y muelas de tronzar que no son originales de DOLMAR puede aumentar el riesgo de accidentes. Si se producen accidentes o daños con muelas de tronzar o accesorios que no son originales de DOLMAR cesará toda responsabilidad.

Los primeros auxilios

Para eventuales accidentes es necesario tener una farmacia portátil al lugar de trabajo. Completar la farmacia portátil inmediatamente después de haberla usado.

En caso de pedir auxilio indicar las informaciones siguientes:

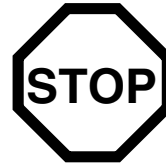
- dónde ocurrió el accidente
- qué ocurrió
- cuantos heridos
- qué clase de lesiones
- ¡quién habla!

Advertencia

Si las personas que sufren de afecciones cardiovasculares se exponen con demasiada frecuencia a las vibraciones se puede producir un daño en los vasos sanguíneos o en el sistema nervioso.

Las vibraciones pueden producir los siguientes síntomas en los dedos, las manos o las muñecas: entumecimiento de las partes del cuerpo, cosquilleo, dolor, dolor punzante, cambio de color de la piel o de la piel.

Si se comprobaren estos síntomas, acudir a un médico.



27



28



29

Datos técnicos

		PC-6430	PC-6435	PC-7330	PC-7335
Cilindrada	cu in (cm ³)	3.9 (64)		4.5 (73)	
Diámetro del cilindro	in (mm)	1.85 (47)		1.97 (50)	
Carrera	in (mm)	1.46 (37)		1.46 (37)	
Máxima potencia	hp (kW)	4.4 (3.2)		5.6 (4.2)	
Máximo par	Nm	4.0		5.0	
Número de revoluciones sin carga	1/min	2,500		2,500	
Número de revoluciones de embrague	1/min	3,800		3,800	
Velocidad de regulación	1/min	9,350		9,350	
Velocidad nominal de giro del husillo	1/min	4,300		4,300	
Nivel de presión sonora en el oído del operador ¹⁾	dB (A)	97		104	
Nivel de potencia sonora L _{WA eq} según EN 1454 ¹⁾	dB (A)	84		86	
Aceleración a _{h,w} según EN 1454					
- empuñadura de puente (Rev. sin carga/velo. nominal giro del husillo)	m/s ²	6 / 5		7 / 6	
- asidero (Rev. sin carga/velo. nominal giro del husillo)	m/s ²	8 / 6		8 / 7	
Carburador (Carburador de membrana)	Tipo	TILLOTSON HS-273 A			
Instalación de encendido (con limitación de revoluciones)	Tipo	electrónica			
Bujía	Tipo	NGK BPMR 7A / BOSCH WSR 6F / CHAMPION RCJ 6Y			
Distancia entre electrodos	in (mm)	.020 (0.5)		.020 (0.5)	
Consumo de combustible, max. potencia según ISO 8893	kg/h	1.65		2.1	
Consumo específico, max. potencia según ISO 8893	g/kWh	500		500	
Capacidad del depósito de combustible	fl oz (l)	37 (1.1)		37 (1.1)	
Relación de mezcla (combustible/aceite)					
- al emplear aceite de alto rendimiento HP 100 de DOLMAR		100:1		100:1	
- al emplear aceites de DOLMAR		50:1		50:1	
Muela de tronzar para 80 m/s ²⁾	in	12" / 0.8" / 0.2" ³⁾	14" / 0.8" / 0.2" ³⁾	12" / 0.8" / 0.2" ³⁾	14" / 0.8" / 0.2" ³⁾
Muela de tronzar para 80 m/s ²⁾ ⁴⁾	in		14" / 1" / 0.2" ³⁾		14" / 1" / 0.2" ³⁾
Diámetro del husillo	in	0.8"	0.8" / 1.0"	0.8"	0.8" / 1.0"
Correa trapezoidal (DOLMAR no)		965 300 470		965 300 470	
Peso de la cortadora (tanques vacíos, sin muela de tronzar)	lb	21.38	21.82	21.6	22.04

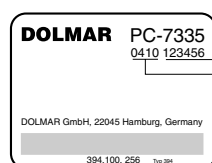
¹⁾ Conforme a las exigencias del UL-test con plena carga (cortando hormigón).

²⁾ Velocidad periférica a máximas revoluciones.

³⁾ Diámetro exterior / orificio de alojamiento / grosor.

⁴⁾ Específico del país

Denominación de los componentes

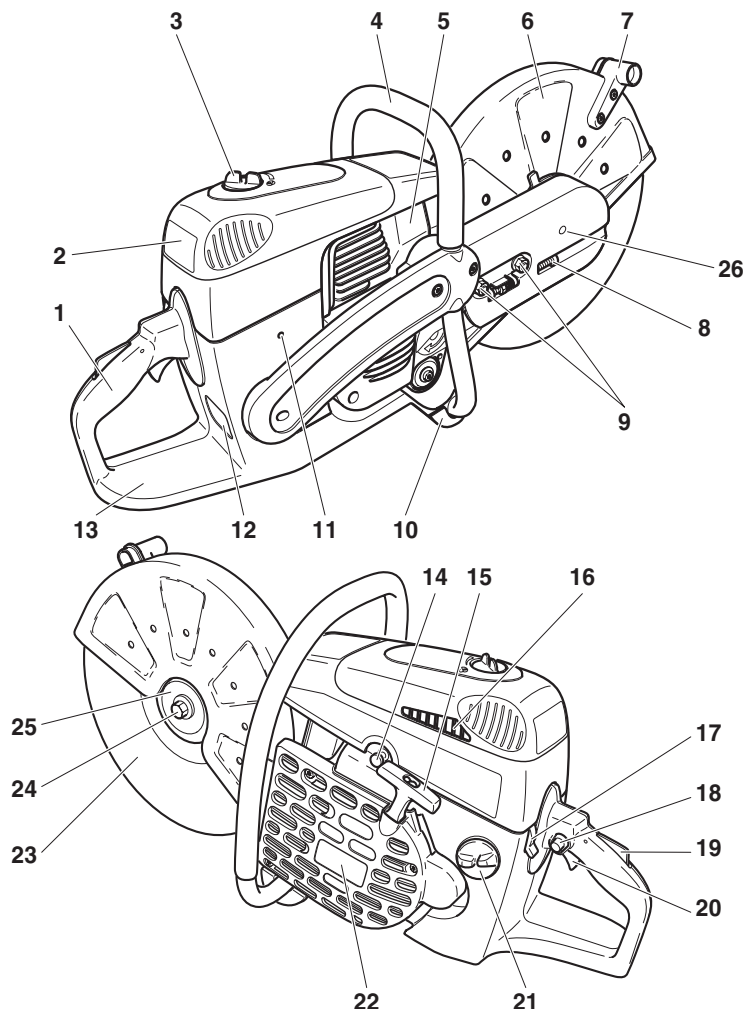


Placa de características (12)

¡Indicar al pedir piezas de repuesto!

Número de serie

Año de fabricación



- 1 Asidero
- 2 Tapa de filtro para filtro de aire y capuchón de bujía
- 3 Bloqueo de la tapa
- 4 Protección contra quemaduras
- 5 Silenciador
- 6 Cubierta de protección
- 7 Empuñadura
- 8 Tornillo de ajuste de la correa trapezoidal
- 9 Tuercas de sujeción
- 10 Pie
- 11 Aperturas para ajuste del carburador
- 12 Placa de características
- 13 Depósito de combustible con protector de mano
- 14 Válvula de descompresión
- 15 Tirador de arranque
- 16 Aperturas de aspiración de aire
- 17 Conmutador combinado «Start/Stop» I/O, choke»
- 18 Botón de retención para gas medio
- 19 Pulsador de bloqueo (de seguridad)
- 20 Acelerador
- 21 Tapa del depósito (combustible)
- 22 Carcasa del arrancador con dispositivo de arranque
- 23 Muela de tronzar
- 24 Tornillo de sujeción de la muela de tronzar
- 25 Plato de arrastre
- 26 Abertura de contrasoporte

PUESTA EN MARCHA



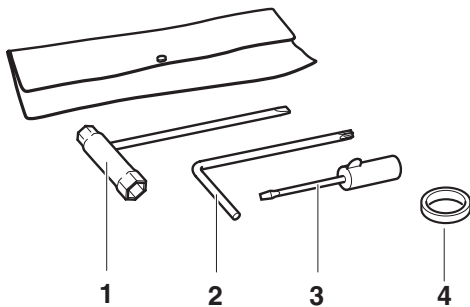
ATENCIÓN:

¡Apagar sin falta el motor, extraer el capuchón de bujía y colocarse guantes de protección durante todas las tareas que se realicen con la tronadora!

ATENCIÓN:

¡La cortadora solamente podrá ponerse en marcha después de completado su montaje y su inspección!

A

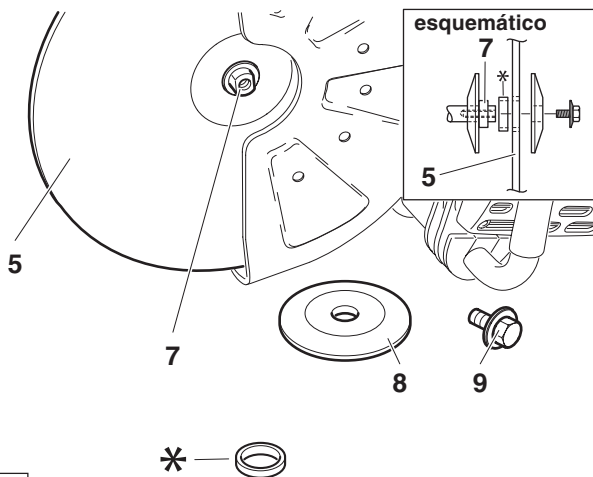


Para las tareas siguientes, utilice las herramientas de montaje incluidas en el suministro:

1. Llave-combinación SW 13/19
2. Destornillador acodado
3. Destornillador (para ajustar el carburador)
4. Anillo adaptador (no incluido generalmente en el volumen de suministro)

Colocar la cortadora sobre una base firme y realizar los siguientes pasos para el montaje de la muela de tronzar:

B



Montaje de la muela de tronzar

Inspeccione la muela de tronzar por eventuales daños, véase INSTRUCCIONES DE SEGURIDAD en página 67.



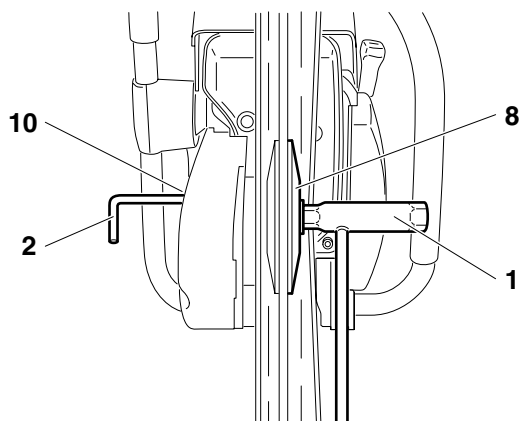
Desenroscar el tornillo (9) y desmontar el plato de arrastre (8). Colocar la muela de tronzar (5) sobre el eje (7).

Nota: El orificio interior de la muela de tronzar debe ajustar con precisión en el eje. Un orificio interior grande debe compensarse con un anillo adaptador (*).



Observar la dirección de giro de la muela de tronzar si está marcada en ella.

C



Colocar el plato de arrastre (8) sobre el eje atornillando el tornillo (C/9) y ajustándolo de forma manual.

Girar lentamente la muela de tronzar hasta que pueda verse en la cubierta del suplemento de corte (10) el orificio de retención de la polea de correa trapezoidal.

Meter el destornillador acodado (2) completamente en esta perforación; ahora, el eje está bloqueado.

Ajustar firmemente el tornillo con la llave-combinación (1).

ADVERTENCIA: Ajustar firmemente el tornillo (30 ± 2 Nm), ya que de lo contrario podría torsionarse la muela de tronzar durante el corte.

D

Tensión de la correa trapezoidal / Controlar la tensión

ATENCIÓN:

Un máximo rendimiento de corte con un óptimo consumo de combustible requiere una exacta tensión de la correa. Una tensión deficiente de la correa redundará en un desgaste prematuro de la correa o de las poleas de correa o en defectos del cojinete de embrague.

¡En un aparato nuevo y después de cambiar la correa trapezoidal, tensar de nuevo la correa después de la primera hora de funcionamiento!



E

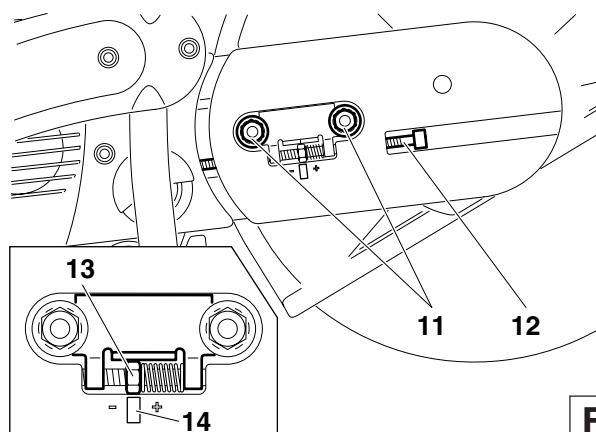
ADVERTENCIA: Para tensar la correa trapezoidal y para comprobar la tensión, deben soltarse las dos tuercas de sujeción (11).

Para aumentar la tensión, girar el tornillo de tensión (12) hacia la derecha (en el sentido de las agujas del reloj) con la llave-combinación incluida en el suministro.

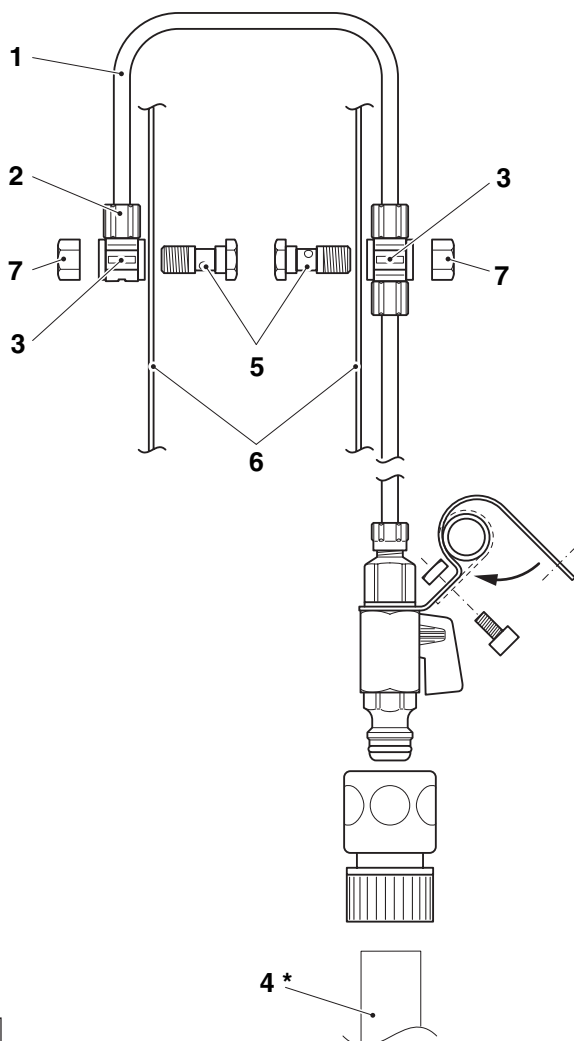
La correa trapezoidal está ajustada correctamente cuando la tuerca (13) se encuentra centrada con respecto a la marca (14).



ATENCIÓN: Después de la tensión/comprobación, ajustar sin falta firmemente las tuercas de sujeción (11). (30 ± 2 Nm).



F



Montar tubería de agua bajo presión

¡Generalmente no incluido en el volumen de suministro, específico para el país!



¡ATENCIÓN! Antes de realizar cualquier trabajo en la tronadora, apagar sin falta el motor y retirar el capuchón de la bujía.

ATENCIÓN: Al utilizar una cubierta protectora para un diámetro máximo de muela de 300 mm (12"), acortar sin falta el tubo (1) a 180 mm (7").

Para ello, desenroscar la tuerca de racor (2), retirar cuidadosamente el tubo (1) de la pieza de empalme (3) y cortar a 180 mm. A continuación, volver a montar el tubo en la pieza de empalme y enroscar la tuerca de racor hasta el tope.

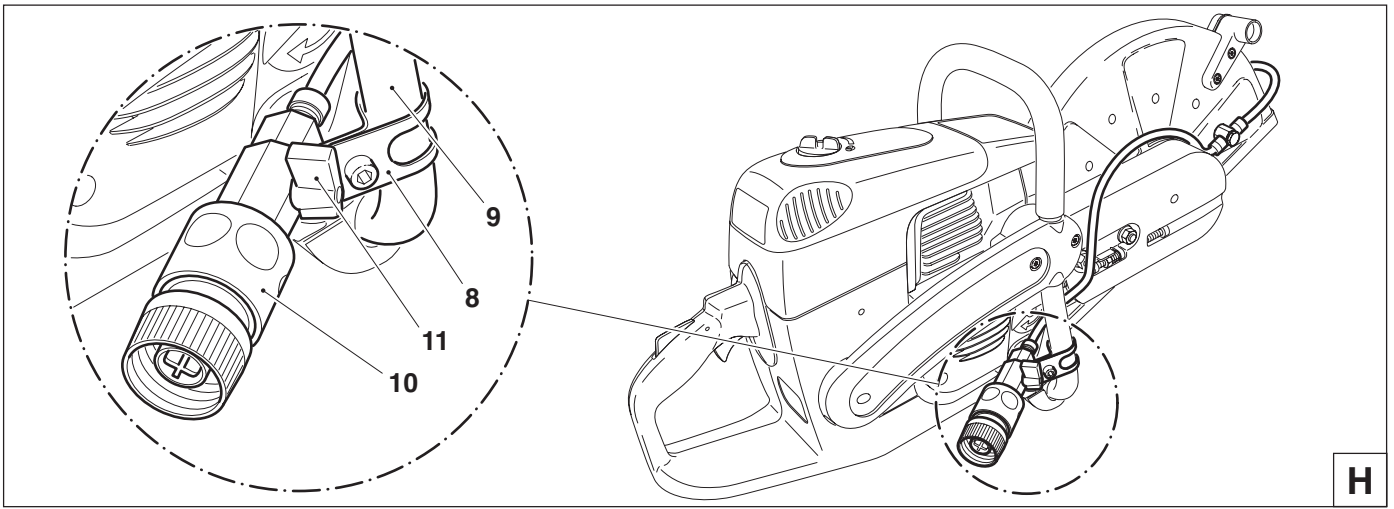
- Montar la toma de agua según indica la ilustración H. Montar, ejerciendo presión, la abrazadera (H/8) alrededor del asidero de tubo (H/9) y fijarla con tornillo y tuerca cuadrada.
- Retirar el acoplamiento de desconexión rápida (H/10) de la toma de agua y montarlo en el tubo de suministro de 1/2" (4).
- Desmontar la muela de tronzar (ver instrucciones de empleo).
- Conducción del tubo con la muela de tronzar en posición media: ver ilustración H.
- Conducción del tubo con la muela de tronzar en posición exterior: ver ilustración I.
- Conducir las toberas (5) desde adentro a través de la cubierta protectora (6) y montar las piezas de empalme (3). Enroscar los capuchones (7) y ajustarlos.

ATENCIÓN: Orientar las piezas de empalme (3) según indica la ilustración H o I, a efectos de evitar la dobladura de los tubos.

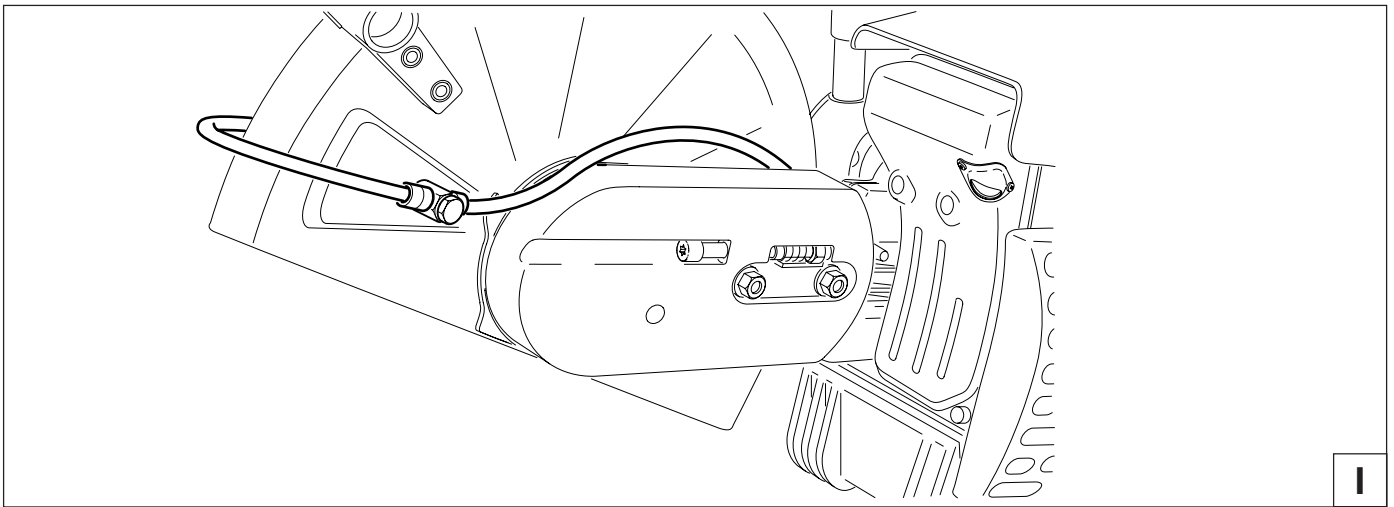
- Montar la muela de tronzar (ver instrucciones de empleo).
- Montar el acoplamiento de desconexión rápida (H/10) en la toma de agua.

ADVERTENCIA: El volumen de paso del agua se puede regular con progresión continua mediante la válvula (H/11).

G



H



I

Combustibles

ATENCIÓN:

El equipo marcha con productos de petróleo (gasolina y aceite).

¡El manejo de gasolina requiere una atención especial!

Prohibido fumar o cualquier fuego abierto (peligro de explosión).



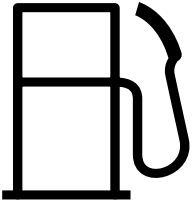

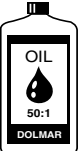
Mezcla de combustible

El motor de la cortadora es un motor de dos tiempos de alto rendimiento. Es accionado con una mezcla de combustible y aceite para motores de dos tiempos.

El motor es construido por gasolina normal libre de plomo con un número de octano mínimo de 91 ROZ. Si la gasolina de este tipo no está disponible, se puede emplear gasolina con un número de octano más alto. Estas gasolinas no causan daños al motor.

¡Emplear siempre gasolina libre de plomo para lograr un funcionamiento óptimo del motor y para proteger su salud y el ambiente! La Gasolina que contiene alcohol no debe usarse con productos de DOLMAR.

Para lubricar el motor, emplear aceite alto rendimiento para motores de dos tiempos (calidad JASO FC o ISO EGD), añadirlo al combustible. Por parte de la fábrica, el Motor ha sido diseñado para el aceite de alto rendimiento de dos tiempos DOLMAR HP 100, con una relación de mezcla de 100:1 respetuosa con el medio ambiente. Esta mezcla garantiza una duración larga y un funcionamiento seguro del motor con una emisión baja de humos.

Combustible	100:1	50:1
		
1.0 Us-gal. (3.7 litros)	1.25 floz. (37 cm ³)	2.5 floz. (75 cm ³)
2.5 Us-gal. (9.4 litros)	3.2 floz. (94 cm ³)	6.4 floz. (189 cm ³)
5.0 Us-gal. (18.9 litros)	6.4 floz. (189 cm ³)	12.8 floz. (378 cm ³)

La relación de mezcla correcta:

100:1 Al usar el aceite de alto rendimiento de dos tiempos DOLMAR HP 100, es decir, mezclar 100 partes de combustible con una parte de aceite.

50:1 Al usar el aceite de alto rendimiento de dos tiempos DOLMAR, o sea, mezclar 50 partes de combustible con una parte de aceite.

G

El aceite de alto rendimiento de dos tiempos DOLMAR HP 100 se suministra en los siguientes tamaños de embalaje o envases:

50 ml número de pedido 980 008 105

0,5 l número de pedido 980 008 113

Se puede comprar aceite para motores de dos tiempos (50:1) de alto rendimiento de DOLMAR en los tamaños de embalaje siguientes, dependiente de su consumo:

100 ml número de pedido 980 008 106

1 l número de pedido 980 008 112

5 l número de pedido 980 008 118

NOTA: Para preparar la mezcla de combustible y aceite, primero mezclar todo el aceite en medio volumen de combustible, luego añadir el combustible restante. Antes de incorporar la mezcla en el equipo, sacudirla para obtener una mezcla homogénea.

Atención: Abrir cuidadosamente la tapa del depósito de combustible, ya que puede estar bajo presión.

No es recomendable aumentar la parte de aceite por una exagerada consciencia de seguridad. Resulta en más residuos de combustión que son de perjuicio para el ambiente y atrancan el canal de salida de humos en el cilindro así como el silenciador. Además causa un aumento del consumo de combustible y simultáneamente una reducción de la potencia.

Almacenaje de carburante

Los carburantes son almacenables únicamente de forma restringida. Los carburantes y las mezclas de carburantes envejecen. Los carburantes almacenados durante un tiempo prolongado pueden causar problemas en el arranque. Comprar sólo la cantidad de carburante necesario para el consumo en un periodo de varios meses.

¡Almacenar el carburante en recipientes homologados en sitio seco y seguro!



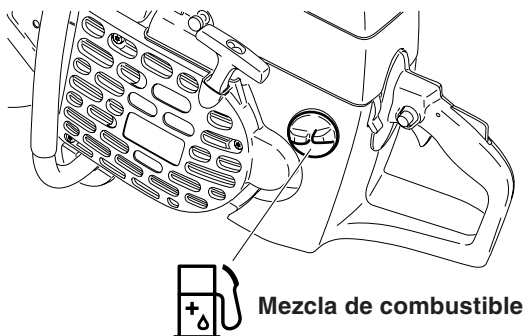
¡EVITAR EL CONTACTO CON OJOS Y PIEL!

Productos de aceite mineral, y también aceites, desgrasan la piel. Por frecuentes contactos largos la piel se seca. Pueden resultar diversas enfermedades de la piel. Además, se conocen reacciones alérgicas.

El contacto de aceite con los ojos causa afecciones. En este caso inmediatamente enjuagar los ojos con agua limpia.

¡En caso de una afección continua, inmediatamente acuda a un médico!

A



Cargar combustible

ATENCIÓN: ¡PRESTAR ATENCIÓN A LAS RECOMENDACIONES DE SEGURIDAD!

Los combustibles requieren un manejo cuidadoso y prudente ¡Cargar únicamente con el motor apagado y enfriado!

Limpiar cuidadosamente las inmediaciones del sector de llenado para que no penetre suciedad en el tanque.

Sobre una superficie plana, colocar la máquina sobre un costado. Desenroscar el cierre del tanque y llenar con la mezcla de combustible. Llenar con cautela para evitar derrames de combustible.

Enroscar de nuevo manualmente la tapa del depósito.

¡Limpiar el tapón y el alrededor del tapón después de rellenar los depósitos! ¡Jamás poner en marcha el equipo en el sitio de carga de combustible ni tenerlo en marcha en ese lugar!

Si se mancha la ropa de combustible, cambiar de nuevo la ropa inmediatamente.

B

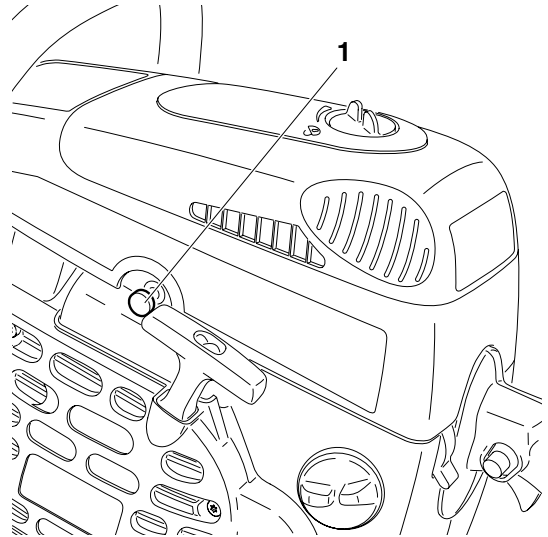
Arrancar el motor



si fuera
necesario

El modelo está equipado con una válvula de descompresión semiautomática (1) para facilitar el arranque. Presionando la válvula de descompresión se reduce el trabajo de compresión, de forma que el motor acelera a sus revoluciones de arranque con poca fuerza en el cable de arranque.

Como consecuencia del gran aumento de la presión en la cámara de combustión debido a los primeros encendidos, se cierra automáticamente la válvula de descompresión (el botón salta hacia fuera).



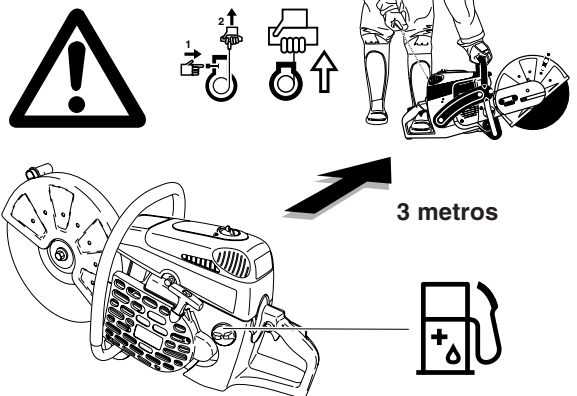
C

ATENCIÓN:

Observe sin falta las INSTRUCCIONES DE SEGURIDAD en la página 65 y 66. ¡La cortadora solamente podrá ponerse en marcha después de completado su montaje y su inspección!

Alejarse al menos 3 m (10 pies) del lugar de carga de combustible.

Adoptar una posición firme y colocar la cortadora sobre el suelo de tal manera que el dispositivo de tronzar quede suspendido en el aire.



D

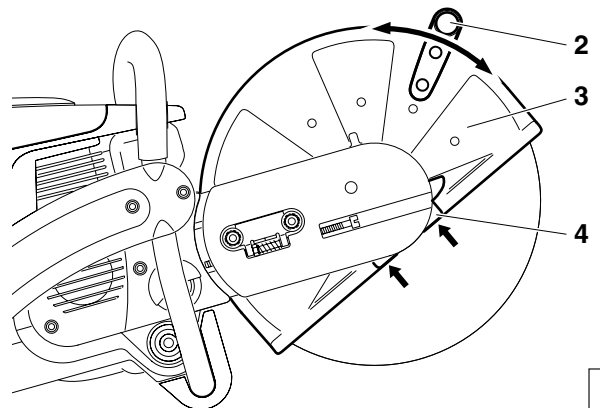
Colocar la cubierta protectora (3) según el objetivo de uso en la posición óptima (véase la figura).

Sujetar la empuñadura (2), la cubierta protectora (3) puede bascular en ambas direcciones de la flecha dentro de los toques.

Atención:

Debe comprobarse que el borde exterior de la chapa de tope (4) y el borde de la cubierta protectora son paralelos (véanse las flechas).

Si no es así, acuda a un taller especializado.



E

Arranque en frío

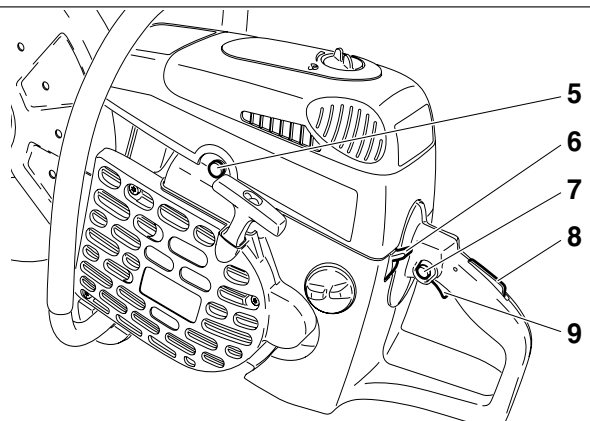
Empujar el conmutador combinado (6) hacia arriba (posición de choke)

Asir el asidero (la palma de la mano accionará la tecla de bloqueo de seguridad (8)).

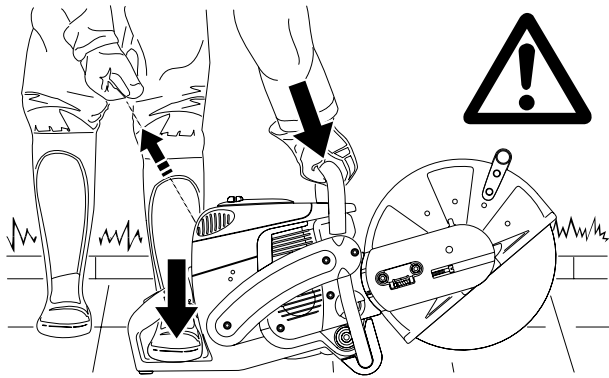
Presionar a fondo el acelerador (9) y mantenerlo presionado. Presionar el botón de retención (7) y soltar el acelerador (9) (el acelerador queda encastrado por el botón de retención en posición de medio gas).

NOTA: Si está montada la cortadora de muela de tronzar en el carro guía, debe colocarse la palanca de regulación aprox. en la tercera o cuarta posición de retención.

Presionar la válvula de descompresión (5).



F



Asir firmemente la empuñadura de puente con una mano y apretar la cortadora sobre el suelo.

Colocar la punta del pie izquierdo en el asidero trasero.

Tirar del cable de arranque rápidamente y con mucha fuerza hasta que se sienta la primera ignición.

Atención: No tirar el cable por más de aproximadamente 20" (50 cm) y sólo retrocederlo manual y lentamente.

Presionar de nuevo la válvula de descompresión (F/5).

Empujar el conmutador combinado (F/6) a la posición «I».

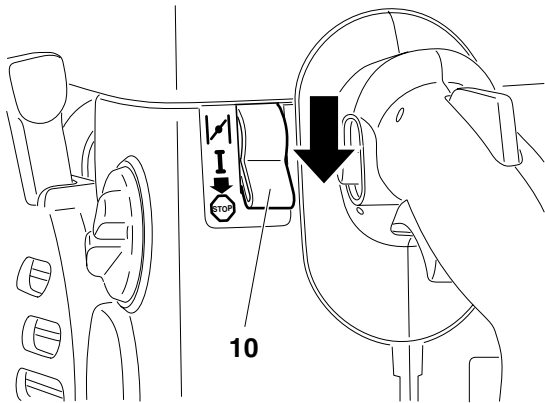
Volver a tirar de la cuerda de arranque hasta que el motor esté en marcha.

Ni bien esté en marcha el motor, pulsar la palanca del acelerador (F/9) para que salte el botón de engatillado (F/7) y el motor marche en vacío.


Arranque en caliente:

Igual a lo descrito para arranque en frío, pero sin accionar el conmutador combinado (F/6) en posición choke.

G



Parar el motor

Empujar hacia abajo el conmutador combinado (10) .

H

Ajustar el carburador



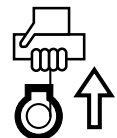
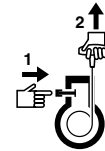
NOTA: Las cortadoras a muela están equipadas de un encendido electrónico limitador del número de revoluciones. Aparte de ello posee el carburador un chiclé fijo en calidad de chiclé principal, el que no es ajustable.

El número de revoluciones sin carga es ajustado en fábrica en unas 2.500 1/min, pero el proceso de rodaje de una máquina nueva puede hacer necesario un pequeño ajuste ulterior.

A

Los siguientes pasos de trabajo son necesarios para un ajuste correcto del número de revoluciones:

Arrancar el motor y dejar que se caliente
(aprox. 3 a 5 minutos)



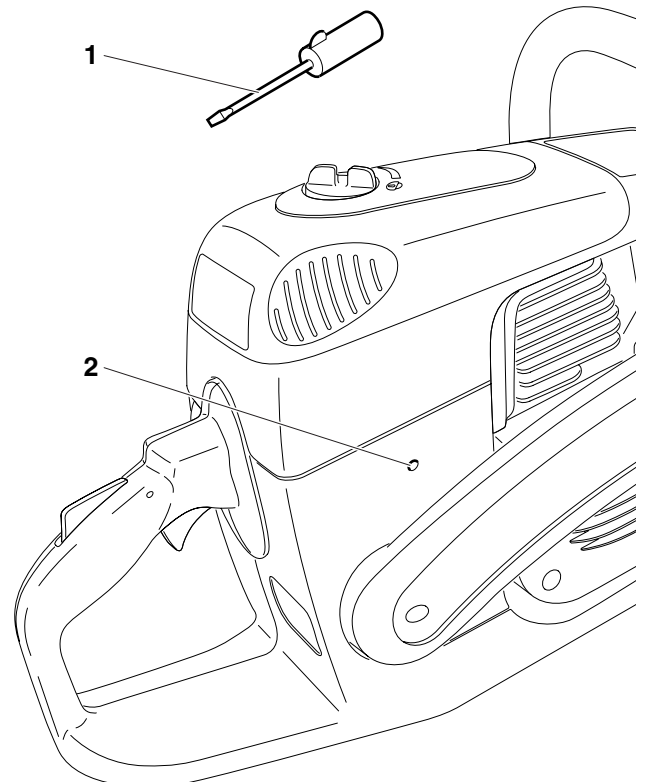
B

Realizar el ajuste del carburador con el destornillador incluido en el volumen de suministro (1, Nº pedido 944 340 001). Posee una protuberancia fundida que sirve como ayuda de ajuste.

Reajustar el número de revoluciones sin carga

Si la muela de tronzar girara junto con el motor, desenroscar ligeramente el tornillo de tope de la válvula reductora (2) hasta que la muela de tronzar ya no gire. Si el motor se detiene al marchar sin carga, volver a enroscar ligeramente el tornillo.

Parar el motor



C

MANTENIMIENTO



ATENCIÓN:

¡Durante todos los trabajos que se realicen con la cortadora es absolutamente necesario apagar el motor, retirar la muela de tronzar, extraer el capuchón de bujía y llevar guantes de protección!

ATENCIÓN:

¡La cortadora solamente podrá ponerse en marcha después de completado su montaje y su inspección!

A

DOLMAR



SERVICIO

ADVERTENCIA:

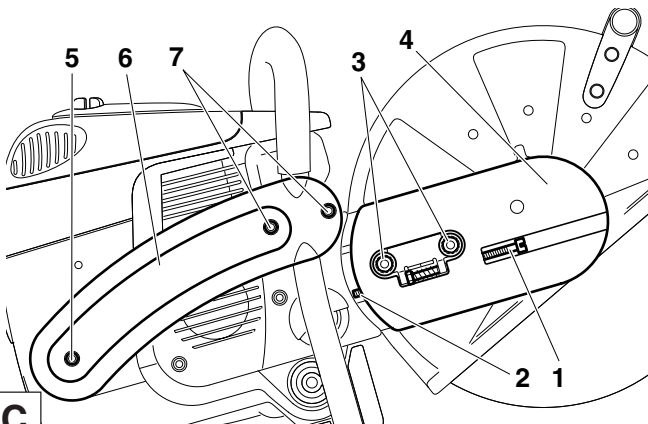
Muchas piezas, aún cuando no están contempladas en estas instrucciones de empleo, pueden ser importantes dispositivos de seguridad, y como toda pieza están expuestas a un determinado desgaste. Por esta razón, y para su propia seguridad, debe realizarse un examen y mantenimiento periódico por parte de un taller especializado DOLMAR.

ATENCIÓN:



Si se produjera una rotura de la muela de tronzar durante el proceso de corte, el equipo tendrá que someterse a la revisión técnica de un taller DOLMAR antes de ponerlo en marcha nuevamente.

B



Recambio de la correa trapezoidal

Soltar las tuercas (3).

Soltar el tornillo tensor (1) (en sentido contrario a las agujas del reloj) hasta que el final del tornillo (2) se vea en la ranura.

Desenroscar las tuercas (3) y quitar la cubierta (4).

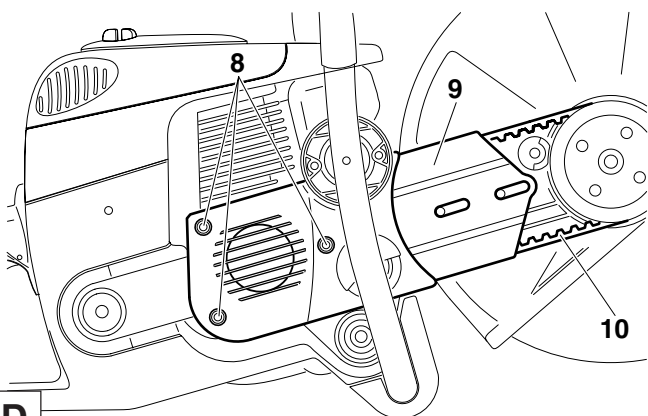
Desenroscar los tornillos (5) y (7) y retirar el travesaño lateral (6).

ADVERTENCIA: El tornillo (5) es más largo que los tornillos (7).



Observar su posición inicial al realizar el nuevo montaje.

C



Aflojar los tornillos (8) y quitar la cubierta de la caja del cigüeñal (9).

Retirar la correa trapezoidal vieja (10) y/o los restos de correa.

Limpiar el interior de la caja de engranajes con un pincel.

Incorporar una nueva correa.

ADVERTENCIA:

El montaje de la caja del cigüeñal (9), del travesaño lateral (C/6) y de la cubierta (C/4) se debe realizar en orden inverso.

Tensar la correa trapezoidal: ver capítulo «**tensar correa trapezoidal/comprobar tensión**».

D

Limpeza de la cubierta de protección

Con el correr del tiempo, en el interior de la cubierta de protección se forman depósitos de material (especialmente por los cortes en húmedo) que pueden obstaculizar la libre rotación de la muela de tronzar.

Desmontar la muela de tronzar con el plato de ajuste y limpiar el interior de la cubierta de protección con un listón de madera u objeto similar de los residuos de material.

Limpiar el eje y todas las piezas desmontadas.



ADVERTENCIA: Para el montaje de la muela de tronzar, ver capítulo «Montaje de la muela de tronzar».

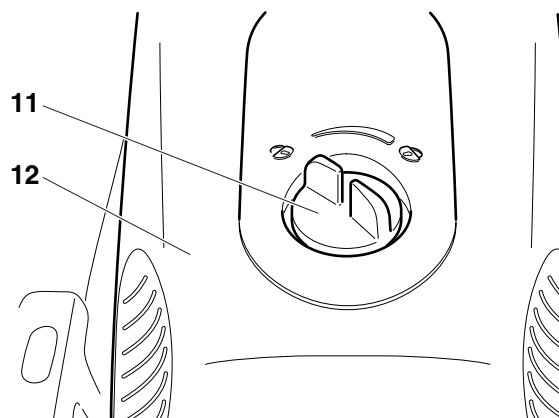
E

Limpeza / recambio del filtro de aire



Girar el bloqueo de la tapa (11) a la posición «desbloqueado» y retirar cuidadosamente la tapa del filtro (12).

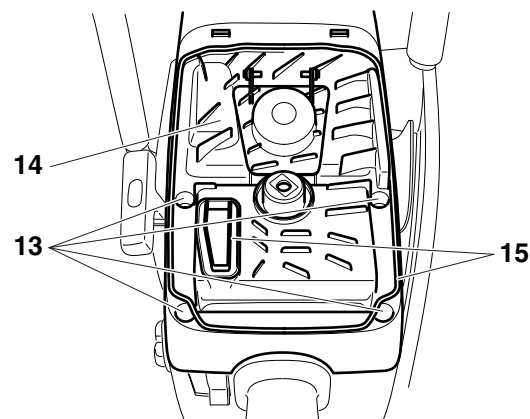
Entre la tapa del filtro (12) y la cubierta (G/14) se encuentra due juntas (G/15).



F

Aflojar los tornillos (13) y quitar la cubierta (14).

Limpiar la junta (15) con un pincel y examinarla en cuanto a posibles daños.



G

Extraer el filtro previo (espuma, 17) de la tapa del filtro.

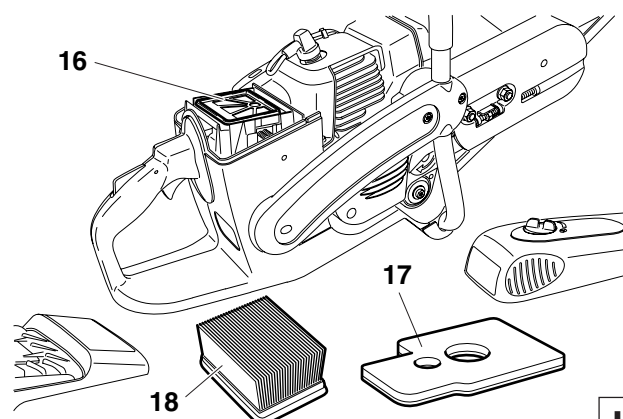
Extraer el suplemento del filtro de aire (cartucho de papel, 18) de la cubierta.

Extraer el filtro interior (16) del embudo de aspiración.

Advertencia:

¡Prevenir la caída de ensuciamientos en el carburador!

Llevar el conmutador combinado a la posición «choke» o cubrir el carburador con un paño limpio.

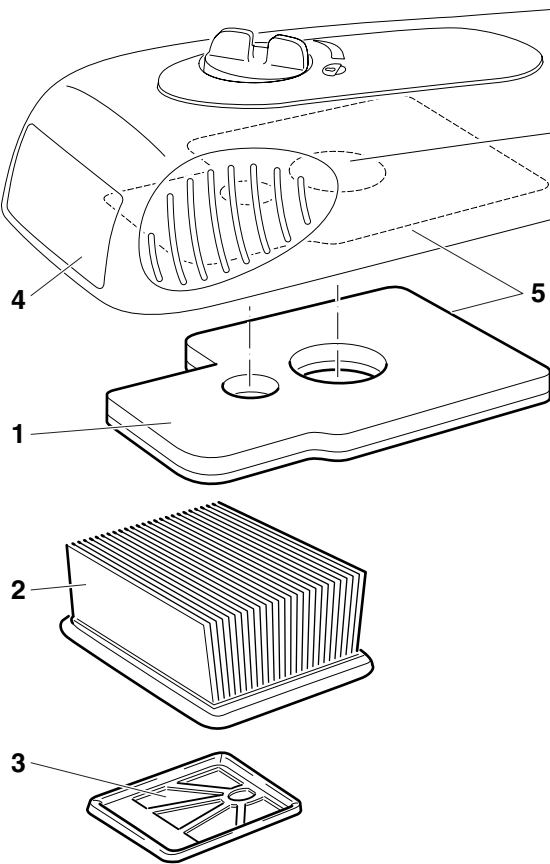


H

ATENCIÓN:



¡No limpiar nunca el filtro de aire con aire comprimido! No limpiar el filtro previo ni el filtro interior con combustible.



Filtro previo (espuma) y filtro interior

Lavar el filtro previo (1) y el filtro interior (3) sucios en agua jabonosa tibia con lavavajillas corriente.

Secar bien ambos filtros.

NOTA: El filtro previo debe limpiarse diariamente, si hay mucho polvo varias veces al día. Si no es posible una limpieza un situ, tener preparado un filtro previo de reserva. Cambiar el filtro previo, como máximo, después de 20 horas de servicio.

Para aumentar el rendimiento del filtro, el filtro previo puede humedecerse con aceite de filtro de aire. Antes de usar el aceite de filtro de aire debe realizarse una cuidadosa limpieza con el limpiador de filtro de aire. Seguir estrictamente las instrucciones del fabricante.

Al colocar el filtro previo en la tapa del filtro alinear con el alojamiento de la tapa e introducir a presión en la tapa del filtro (5).

Suplemento de filtro de aire (cartucho de papel)

El suplemento de filtro de aire (2) filtra el aire aspirado a través de un sistema de laminillas de filtro de papel muy fino, por eso el cartucho no debe lavarse nunca. Limpiar el suplemento del filtro de aire una vez a la semana.

Separar ligeramente en abanico el suplemento de filtro de aire y golpear cuidadosamente contra una base limpia.

Cambiar el suplemento de filtro de aire cada 100 horas de servicio. En caso de pérdida de potencia, caída de las revoluciones o formación de humo espeso en el gas de escape, cambiar inmediatamente.

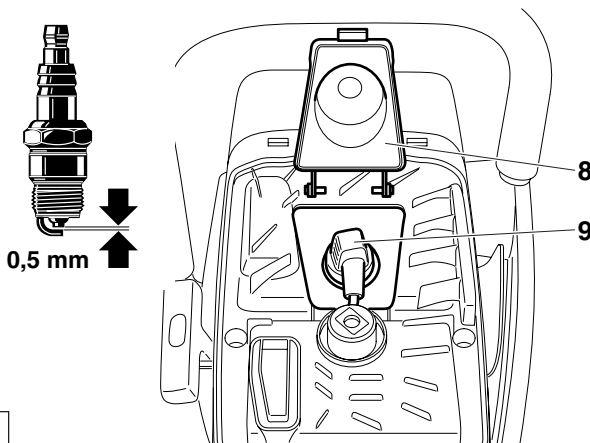
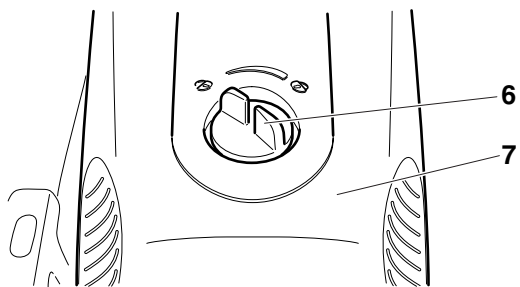
Antes de montar el sistema de filtro, comprobar las partículas de suciedad que pueda haber en la abertura de aspiración. Eliminar si procede.

ATENCIÓN:

¡En caso de daños cambiar el filtro inmediatamente!

Las piezas de tejido arrancadas y las partículas gruesas de suciedad pueden destruir el motor.

A



Cambiar la bujía



ATENCIÓN:

No tocar la bujía o la tapa bujía al marchar el motor (alto voltaje).

Efectuar el mantenimiento sólo si el motor está parado.

El motor caliente puede ocasionar quemaduras. ¡Usar siempre guantes de protección!

Cambiar la bujía si el cuerpo aislador está dañado, una merma grande de los electrodos ocurre o los electrodos están sucios o cubiertos de aceite.

Girar el bloqueo de la tapa (6) a la posición «desbloqueado» y retirar cuidadosamente la tapa del filtro (7).

Plegar hacia arriba la tapa de las bujías (8).

Quitar el capuchón de bujía (8) de la bujía. La bujía solamente debe desmontarse mediante la llave combinada adjunta.

La distancia entre los electrodos

La distancia entre los electrodos debe ser de .020" (0.5 mm).

B

Controlar la chispa de encendido

Introducir la llave-combinación (9) entre la cubierta y el cilindro, únicamente como muestra la ilustración.

¡ATENCIÓN!

Nunca introduzca la llave en la perforación de la bujía; **establezca solamente contacto** con el cilindro (de lo contrario, posiblemente se dañe el motor).

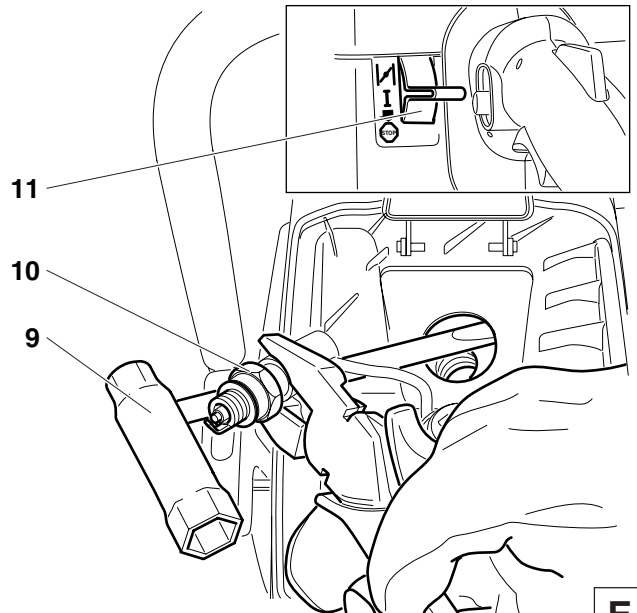
Presionar la bujía desenroscada (10), con el capuchón de bujía fijamente colocado, mediante una pinza aislada contra la llave (¡del lado opuesto a la perforación de la bujía!).

Empujar el conmutador combinado (11) a la posición «I».

Tirar con fuerza del cable de arranque.

Si el funcionamiento es correcto se debe ver una chispa cerca de los electrodos.

ATENCIÓN: Usar sólo las bujías siguientes BOSCH WSR 6F, CHAMPION RCJ-6Y o NGK BPMR 7A.



E

Cambiar la cabeza de aspiración

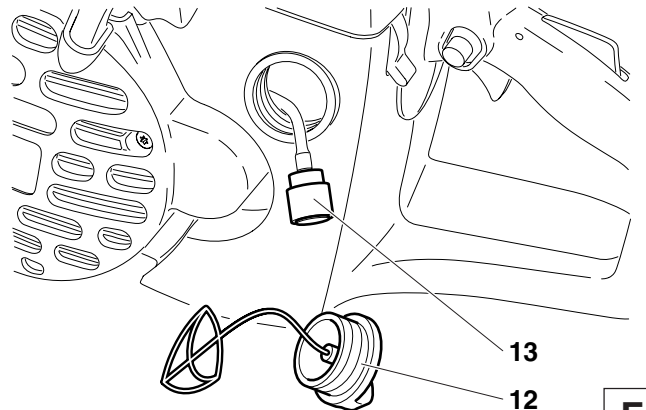
El filtro de fieltro (13) de la cabeza de aspiración puede ser obstruido. Para poder garantizar una alimentación de combustible perfecta para el carburador se debe cambiar la cabeza de aspiración cada 3 meses.

Desenroscar la tapa del depósito (12), extraer de la boca del depósito el seguro contra pérdida.

Descargar depósito de combustible.

Para cambiar, extraer la cabeza de aspiración con un gancho de alambre a través de la boca de la tapa del depósito.

Atención: ¡Evitar el contacto del combustible con la piel!



F

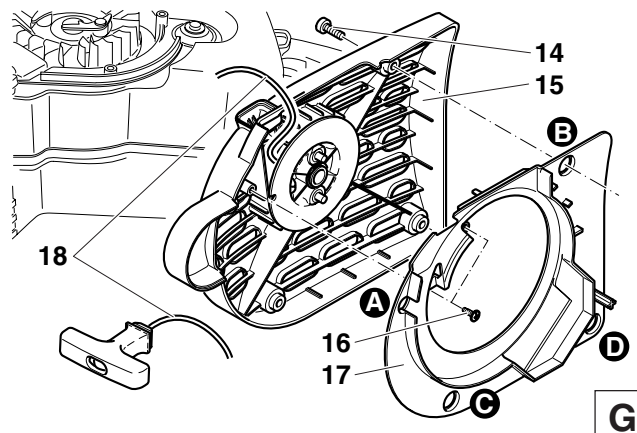
Recambio de la cuerda de arranque



Aflojar cuatro tornillos (14). Retirar la caja del arrancador (15).

Extraer dos tornillos (16) y separar con cuidado la guía de aire (17) de la caja del arrancador (15). Al hacerlo, seguir el orden (A - B - C - D).

Eliminar restos de cuerda vieja (18).



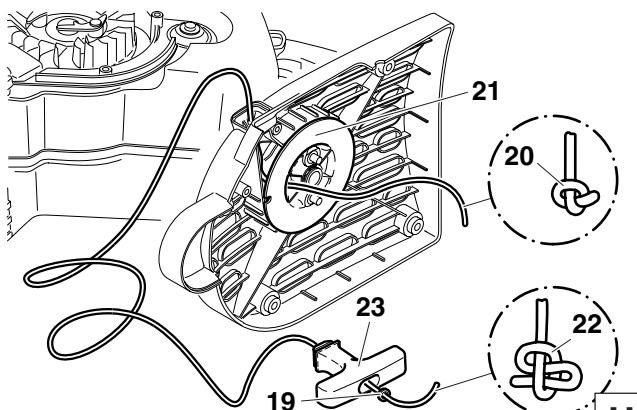
G

Enhebrar el nuevo cable de arranque (\varnothing 0.16" (4.0 mm), 39.5" (1000 mm) largo), como se muestra en la figura (no olvidar la polea (19)) y asegurar ambos extremos con nudos.

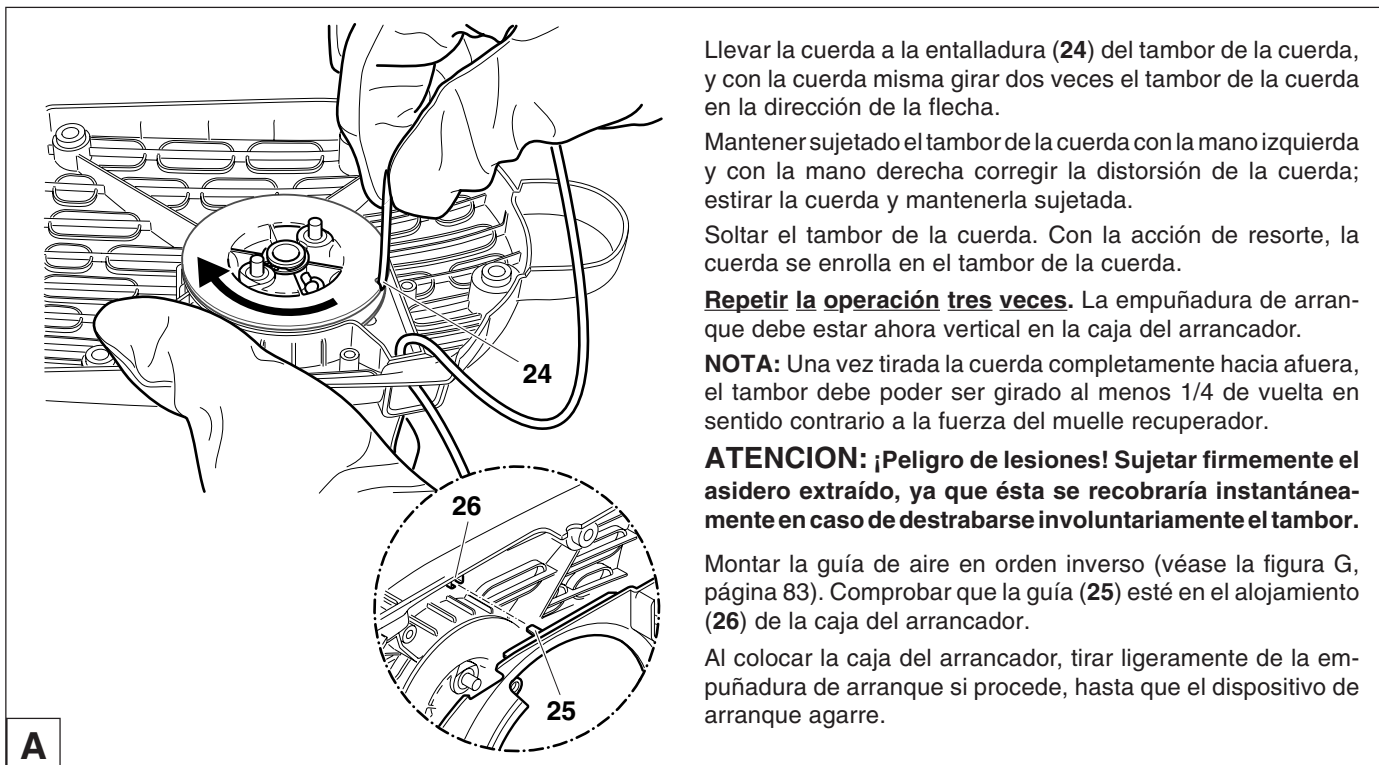
Tirar de la cuerda hasta que el nudo (20) quede alojado en el tambor (21).

ATENCIÓN: Los nudos o el extremo del cable de arranque no deben sobresalir de la superficie del tambor de cable.

Ahora, alojar el nudo (22) en la agarradera (23) de la cuerda.



H



Llevar la cuerda a la entalladura (24) del tambor de la cuerda, y con la cuerda misma girar dos veces el tambor de la cuerda en la dirección de la flecha.

Mantener sujetado el tambor de la cuerda con la mano izquierda y con la mano derecha corregir la distorsión de la cuerda; estirar la cuerda y mantenerla sujetada.

Soltar el tambor de la cuerda. Con la acción de resorte, la cuerda se enrolla en el tambor de la cuerda.

Repetir la operación tres veces. La empuñadura de arranque debe estar ahora vertical en la caja del arrancador.

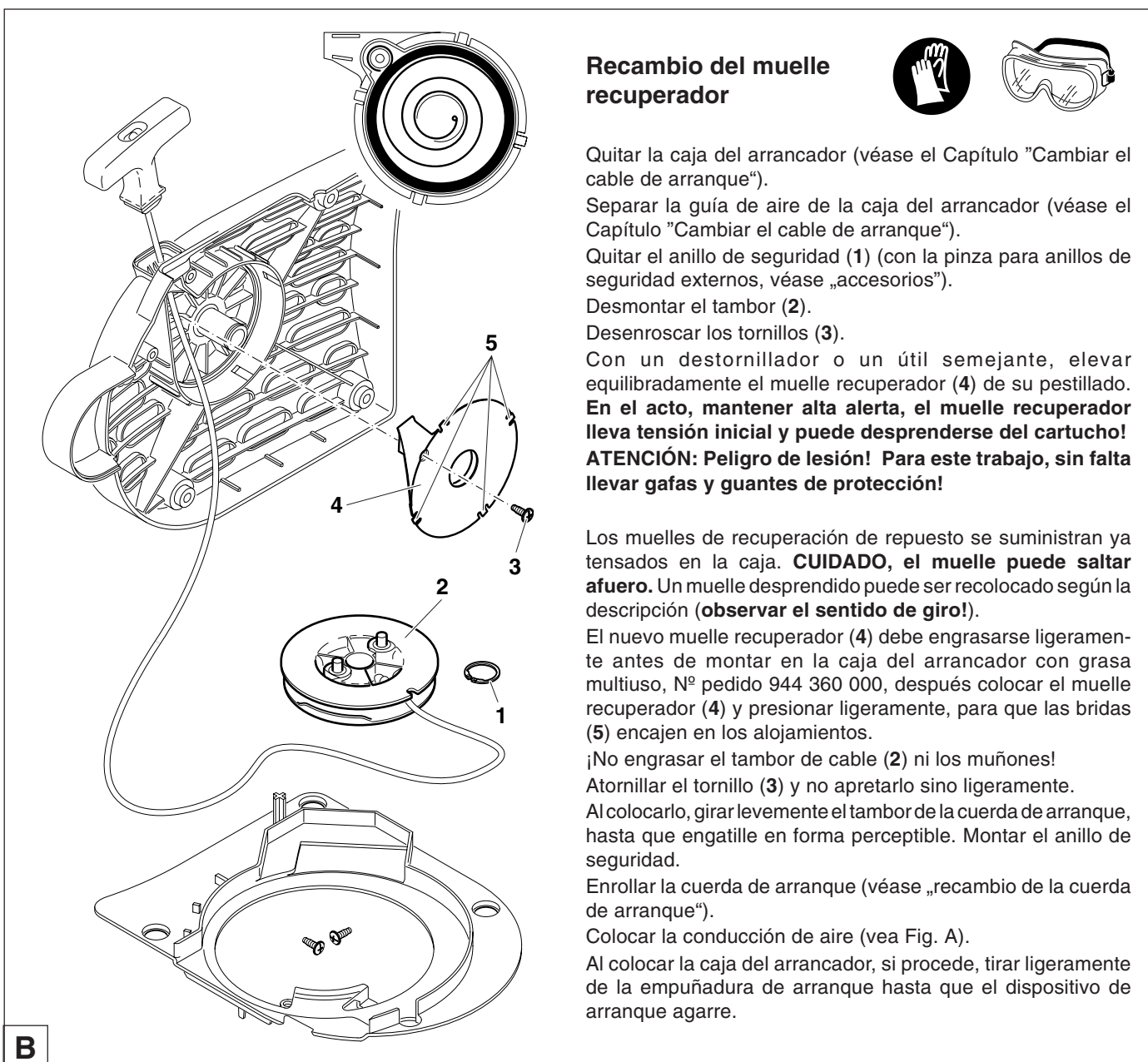
NOTA: Una vez tirada la cuerda completamente hacia afuera, el tambor debe poder ser girado al menos 1/4 de vuelta en sentido contrario a la fuerza del muelle recuperador.

ATENCIÓN: ¡Peligro de lesiones! Sujetar firmemente el asidero extraído, ya que ésta se recobraría instantáneamente en caso de destrabarse involuntariamente el tambor.

Montar la guía de aire en orden inverso (véase la figura G, página 83). Comprobar que la guía (25) esté en el alojamiento (26) de la caja del arrancador.

Al colocar la caja del arrancador, tirar ligeramente de la empuñadura de arranque si procede, hasta que el dispositivo de arranque agarre.

A



Recambio del muelle recuperador



Quitar la caja del arrancador (véase el Capítulo "Cambiar el cable de arranque").

Separar la guía de aire de la caja del arrancador (véase el Capítulo "Cambiar el cable de arranque").

Quitar el anillo de seguridad (1) (con la pinza para anillos de seguridad externos, véase „accesorios”).

Desmontar el tambor (2).

Desenroscar los tornillos (3).

Con un destornillador o un útil semejante, elevar equilibradamente el muelle recuperador (4) de su pestillado.

En el acto, mantener alta alerta, el muelle recuperador lleva tensión inicial y puede desprenderse del cartucho!

ATENCIÓN: Peligro de lesión! Para este trabajo, sin falta llevar gafas y guantes de protección!

Los muelles de recuperación de repuesto se suministran ya tensados en la caja. **CUIDADO, el muelle puede saltar afuera.** Un muelle desprendido puede ser recolocado según la descripción (**observar el sentido de giro!**).

El nuevo muelle recuperador (4) debe engrasarse ligeramente antes de montar en la caja del arrancador con grasa multiuso, N° pedido 944 360 000, después colocar el muelle recuperador (4) y presionar ligeramente, para que las bridas (5) encajen en los alojamientos.

¡No engrasar el tambor de cable (2) ni los muñones!

Atornillar el tornillo (3) y no apretarlo sino ligeramente.

Al colocarlo, girar levemente el tambor de la cuerda de arranque, hasta que engatille en forma perceptible. Montar el anillo de seguridad.

Enrollar la cuerda de arranque (véase „recambio de la cuerda de arranque”).

Colocar la conducción de aire (vea Fig. A).

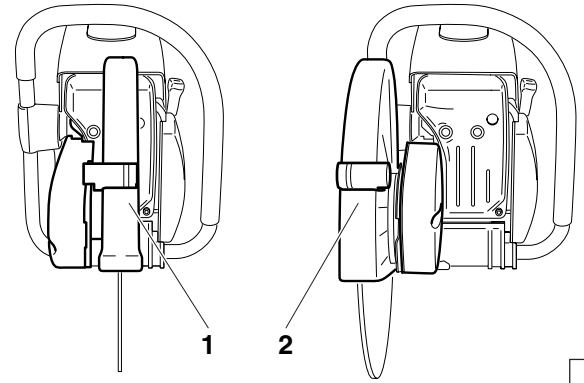
Al colocar la caja del arrancador, si procede, tirar ligeramente de la empuñadura de arranque hasta que el dispositivo de arranque agarre.

B

Dispositivo de tronzar en posición media/ posición externa

INDICACION: El dispositivo de tronzar viene montado de fábrica en la posición media (1). Cuando existen obstáculos que se encuentran muy cerca del trayecto del corte (p. ej. bordes de aceras o de muros), el dispositivo de tronzar puede montarse en posición exterior (2). Cuando trabaje en forma manual, utilice la posición exterior solamente para esos trabajos a realizar.

A continuación, vuelva a montar la posición media. Con el dispositivo de tronzar en posición media, la cortadora dispone de un centro de gravedad más favorable que evita un cansancio prematuro.



C

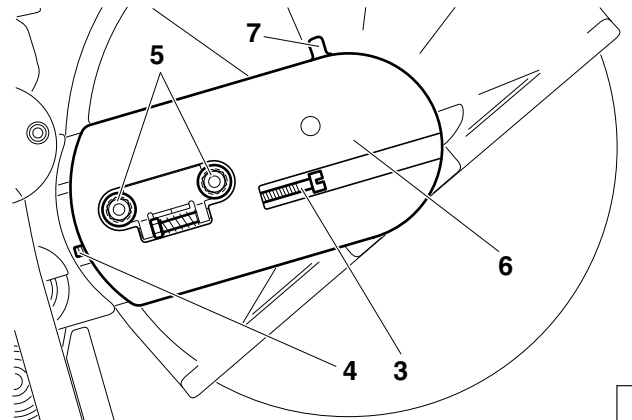
Cambio de posición del dispositivo de tronzar



Soltar las tuercas (5).

Soltar el tornillo tensor (3) (en sentido contrario a las agujas del reloj) hasta que el final del tornillo (4) se vea en la ranura.

Desenroscar las tuercas (5) y quitar la cubierta (6).



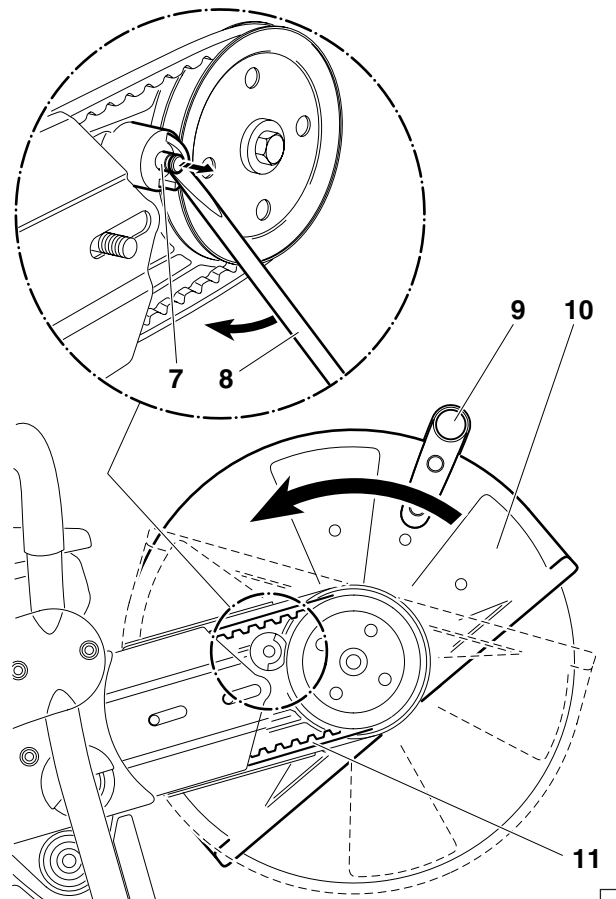
D

Extraer el perno de tope (7) haciendo palanca con la llave combinada (8) como se muestra en la figura, hasta que pueda girarse la cubierta protectora (10).

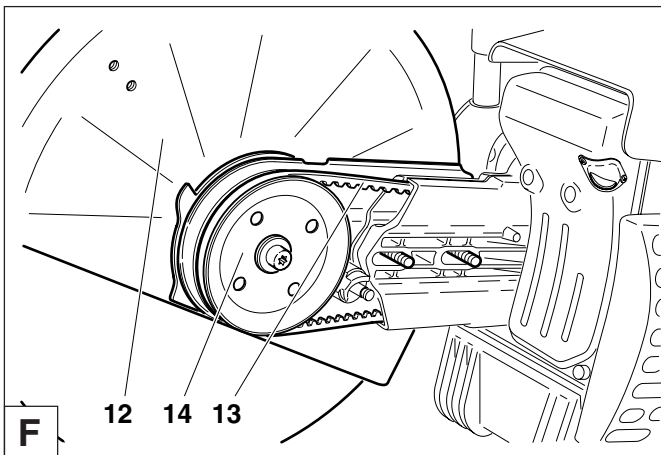
NOTA: El tope de torsión (D/7) se desactiva cuando se extrae el perno de tope (7). De este modo puede girarse la cubierta (10) sobre el tope de torsión (D/7).

Desenroscar la empuñadura (9) y la cubierta protectora (10) como se muestra en la figura.

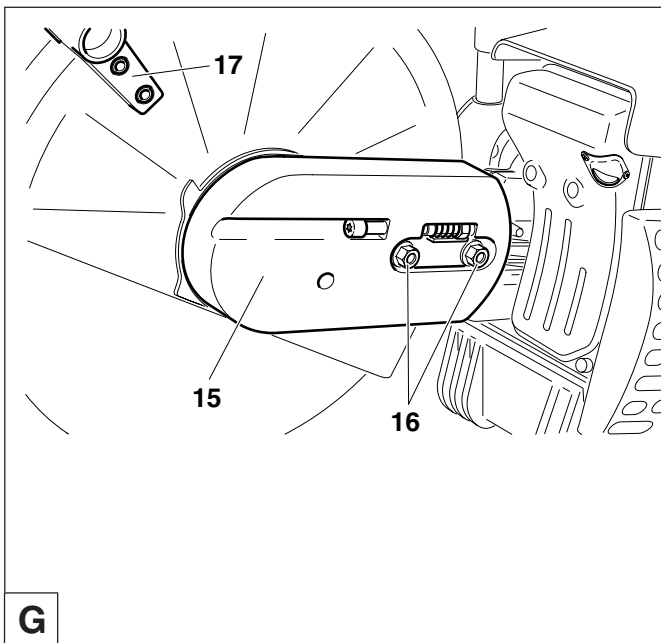
Desenganchar la correa trapezoidal (11) y extraer el dispositivo de separación.



E



Presionar el dispositivo de separación (12) a la posición exterior en el alojamiento del brazo del engranaje.
 Pasar la correa trapezoidal (13) a través de la polea (14).



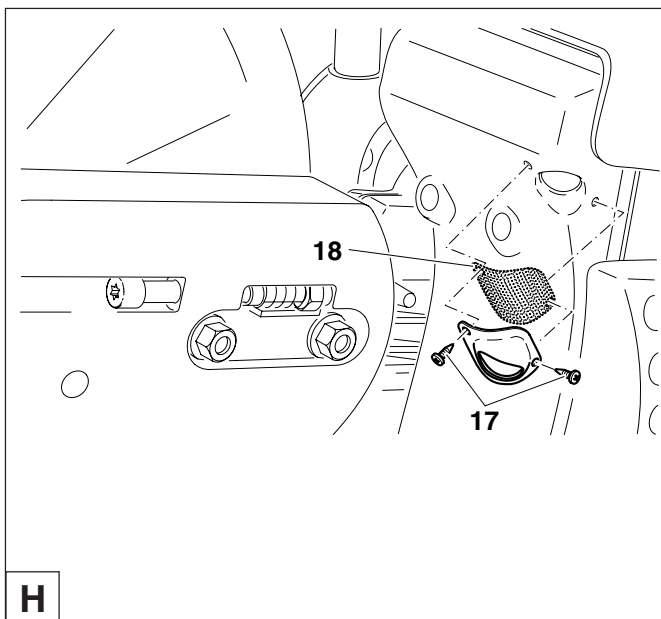
Colocar la cubierta (15).
 Enroscar las tuercas (16) y ajustarlas a mano.
 Tensar la correa trapezoidal (ver capítulo «Tensión de la correa trapezoidal/Controlar la tensión»).
 Ajustar firmemente las tuercas (16) con la llave-combinación.
 Montar de nuevo la empuñadura (17) según la figura.

ATENCIÓN:

¡Después de cada nuevo montaje del dispositivo de corte cambia el sentido de giro de la muela de tronzar!



Observar la dirección de giro de la muela de tronzar, si está marcada.



Recambio/limpieza de la rejilla parachispas



La rejilla parachispas debe examinarse y limpiarse a intervalos regulares.
 Suelte los 2 tornillos (18) y remueva la rejilla parachispas (19).
 Vuelva a montar la rejilla parachispas y ajuste los tornillos.

PRECAUCIÓN:

No use objetos afilados ni puntiagudos para limpiar la rejilla parachispas, ya que podría deteriorar o deformar los alambres de la rejilla.

ACCESORIOS ESPECIALES

Muelas diamantadas (1)

Para las máximas exigencias de seguridad y confort laboral y para una solución económica de la realización de procesos de corte, DOLMAR ofrece, dentro de su programa, las muelas diamantadas. Son apropiadas para cortar todos los materiales usuales, **con excepción de los metales.**

La gran solidez de los granos de diamante garantiza un desgaste mínimo y una larga vida útil, manteniéndose el diámetro de la muela de tronzar prácticamente constante. Esto redundará en prestaciones de corte casi constantes y, en consecuencia, una elevada rentabilidad. Gracias a las excelentes propiedades de corte de las muelas de tronzar diamantadas es posible realizar un trabajo descansado.

Las muelas metálicas muy sólidas presentan altas propiedades de concentricidad, con lo que pueden evitarse en su mayor medida las vibraciones de la muela de tronzar.

El trabajo con muelas de tronzar diamantadas acorta notablemente el tiempo de corte, de lo cual resultan bajos costos de explotación (consumo de combustible, repuestos, reparaciones e impacto ambiental).

Carro-guía (2)

El carro-guía de DOLMAR facilita una conducción recta de la cortadora a muela. Asimismo facilita un trabajo descansado y puede graduarse conforme a la talla del usuario. La cortadora puede accionarse con el dispositivo de tronzado en posición media o exterior.

Para facilitar el proceso de llenado del tanque con la utilización del carro-guía se recomienda aplicar en el tanque un cierre de tanque acodado (3).

El limitador de profundidad es un avance más hacia el confort de trabajo y la precisión del corte, ya que permite mantener exactamente la profundidad de corte requerida (4).

Para la aglutinación del polvo durante el proceso de corte y para una mejor refrigeración de la muela de tronzar, DOLMAR ofrece según el tipo de aplicación de la cortadora diferentes alternativas para la humectación de la muela de tronzar.

Tanque de agua (5)

El tanque de agua está previsto para el montaje en el carro-guía. Gracias a la gran capacidad del tanque, el mismo es particularmente apropiado para usarlo en lugares de aplicación que varían constantemente. Para llenar el tanque o para usar tanques de reserva, este puede levantarse simplemente del carro-guía.

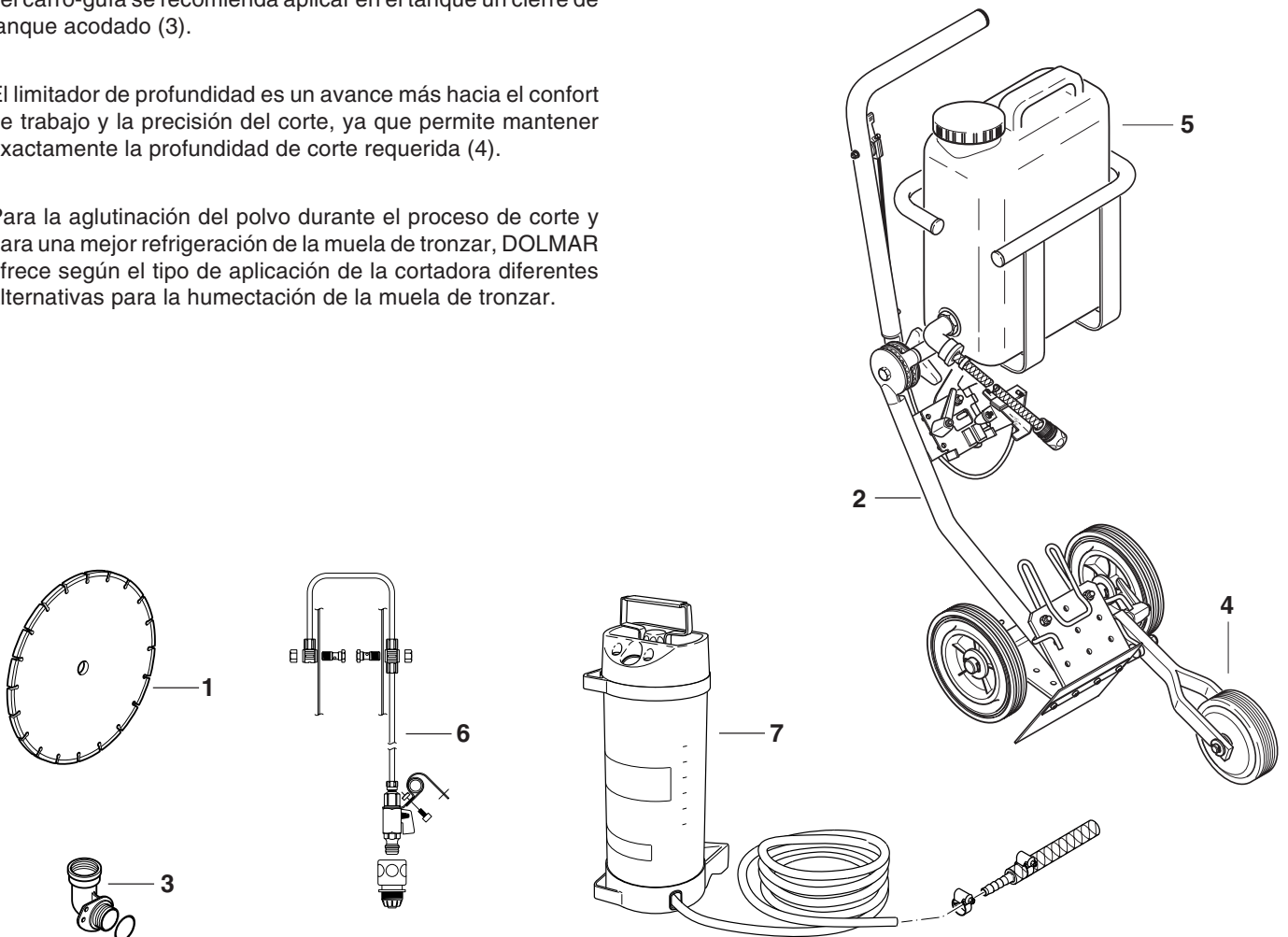
Con el equipo se suministran todas las conexiones necesarias y la correspondiente tubería de agua. El alojamiento que se encuentra en el carro guía y en la cortadora facilita un montaje rápido y sencillo.

Tubería de agua bajo presión (6)

La tubería de agua bajo presión está prevista para el montaje en la cortadora. Esta también puede utilizarse en conexión con el carro-guía. La tubería de agua bajo presión es particularmente apropiada para la utilización de cortadoras manuales durante trabajos estacionarios. Para ello, mediante una desconexión rápida, el suministro de agua se establece ya sea a través de la red de agua o a través del tanque de agua bajo presión (7).

Con el equipo se suministran todas las conexiones necesarias. El alojamiento que se encuentra en la cortadora facilita un montaje muy rápido y sencillo.

El N° de pedido figura bajo "Accesorios".



Instrucciones para el mantenimiento regular

A efectos de lograr una prolongada vida útil, de evitar daños y de asegurar el pleno funcionamiento de los dispositivos de seguridad, los trabajos de mantenimiento descritos a continuación deberán realizarse con regularidad. Los derechos de garantía se reconocerán solamente si estos trabajos se han realizado de forma regular y reglamentaria. ¡La no observación de estas instrucciones puede originar accidentes!

Los usuarios de las cortadoras solamente podrán realizar los trabajos de mantenimiento y cuidado descritos en estas instrucciones de empleo. Todos los otros trabajos deben ser llevados a cabo por un taller especializado de DOLMAR.

Página

En general	La cortadora completa	Limpiar el exterior y examinar por daños Dejar efectuar reparaciones inmediatamente por un taller especializado	
	Muela de tronzar Embrague	Examinación periódica por fallas y desgaste Examinación por parte del taller especializado	67
	La cubierta de protección	Limpiar, Comprobar la posición (chapa de tope)	77
Antes de cada puesta en marcha	Muela de tronzar	Comprobar por daños y si está montada la muela de tronzar adecuada para la tarea prevista	67
	Correa	Controlar la tensión de la correa	74
	Cubierta protectora	Ajustar la posición	
	Conmutador combinado	Prueba de funcionamiento	
	Pulsador de bloque (segur.) Acelerador Tapa del depósito	Prueba de funcionamiento Prueba de funcionamiento Examinar hermeticidad	77
Cada día	Filtro de aire	Limpiar (con más frecuencia, si procede), Cambiar el filtro previo (espuma) después de 20 horas	81
	Núm. de revoluc., vacío	Examinar (la muela de tronzar no debe girar también)	79
	Muy cuido	Limpiar la cartucho de papel	81
Cada semana	Caja del arrancador	Limpiar, a efectos de garantizar la perfecta circulación del aire de refrigeración	72
	Cuerda de arranque	Examinar por daños	83
	Correa	Controlar tensión de correa, examinar por fallas y desgaste	80
	Suplemento del filtro de aire	Limpiar, cambiar después de 100 horas	82
	Bujía	Examinar y cambiar si es necesario	82-83
	Silenciador	Examinar si presenta obturaciones, Controlar la firmeza de los tornillos	72
Cada 3 meses	Cabeza de aspiración	Cambiar	83
	Depósito de combust.	Limpiar	
anual-mente	toda la cortadora de muela de tronzar	Revisar en un taller especializado	
Antes de almacenar	La cortadora completa	Limpiar el exterior y examinar por daños. Dejar efectuar reparaciones inmediatamente por un taller especializado	
	Muela de tronzar	Desmontar y limpiar	73
	Depósito de combust. Carburador	Descargar y limpiar Dejar marchar el motor hasta el agostamiento de combustible	

Servicio, piezas de repuesto y garantía

Mantenimiento y reparaciones

El mantenimiento y la reparación de cortadoras modernas y de grupos constructivos con altas exigencias de seguridad requieren una preparación especializada y cualificada así como un taller especial equipado con herramientas especiales y aparatos de prueba. Todos los trabajos no descritos en estas Instrucciones de manejo deben ser realizados por un taller especializado DOLMAR.

Nuestros prácticos tienen la formación, la experiencia y el equipo necesarios para ofrecerle la solución más económica. Si se intentan realizar reparaciones por medio de terceros o personas no autorizadas, se extinguirá la garantía.

Por favor, ver por el taller más próximo en la lista de direcciones adjuntada.

Piezas de repuesto

La seguridad funcional en el servicio continuo y la seguridad de su cortadora dependen entre otras cosas de la calidad de las piezas de repuesto. Usar sólo piezas de repuesto de origen DOLMAR, identificadas como sigue:



Únicamente las piezas originales son parte de la producción del equipo, garantizando con ello una máxima calidad en cuanto a materiales, exactitud de dimensiones, función y seguridad.

Piezas de repuesto de origen DOLMAR se pueden comprar al comerciante especializado. Tiene las listas de piezas de repuesto con los números de pedido requeridos y está siempre al tanto mejora de innovaciones en la oferta de piezas de repuesto.

Prestar atención a que al utilizar piezas de repuesto no de origen DOLMAR, DOLMAR no puede conceder una garantía.

Costes consecutivos no son pagados por DOLMAR si los daños son causados por piezas de repuesto no de origen DOLMAR.

Garantía

DOLMAR garantiza una calidad perfecta y paga para retoques, es decir para el cambio de piezas defectuosas por razón de defectos del material o de fabricación que ocurren dentro del plazo de garantía después del día de compra. Prestar atención a que en algunos países las condiciones de garantía sean diferentes. En caso de duda dirigirse a su vendedor. Es responsable para la garantía del producto.

Esperamos que Vd. tenga comprensión para que en los casos siguientes la garantía deje de aplicarse. Estos son daños por:

- No observación de las instrucciones de manejo.
- Omisión de trabajos de mantenimiento y limpieza necesarios.
- Ajuste inadecuado del carburador.
- Desgaste normal.
- Sobrecarga evidente por sobrepaso permanente de la potencia máxima.
- Utilización de muelas de tronzar que no sean DOLMAR originales.
- Uso de fuerza, tratamiento inadecuado, uso impropio o accidente.
- Avería por recalentamiento debido a ensuciamientos en la caja del ventilador.
- Reparaciones por personas no experimentadas o reparaciones inadecuadas.
- Uso de piezas de repuesto inadecuadas o de piezas no de origen DOLMAR, si han provocado el daño.
- Uso de combustibles inadecuados o viejos.
- Daños provocados por las condiciones de aplicación del alquiler profesional.

Trabajos de limpieza, mantenimiento y ajuste no son incluidos en la garantía. Dejar realizar todos los trabajos que afectan la garantía por un comerciante especializado de DOLMAR.

Localización de averías

Avería	Sistema	Observación	Causa
La muela de tronzar no arranca	Embrague	Motor marcha	Embrague dañado
La muela de tronzar gira con funcionamiento en vacío	Carburador, Acoplamiento	La muela de tronzar gira	Ajuste de funcionamiento en vacío incorrecto, acoplamiento bloqueado
Motor no arranca o sólo con gran dificultades	Sistema de encendido	Hay chispa de encendido	Defecto en alimentación de combustible, sistema de compresión, avería mecánica
		No hay chispa de encendido	Accionado el conmutador STOP, fallas o cortocircuito en los cables, defecto del capuchón de bujía o de la bujía.
	Alimentación de combustible	Depósito de combustible lleno	Choke en posición incorrecto, carburador defectuoso, cabeza de aspiración sucio, tubería de combustible quebrada o interrumpida
	Sistema de compresión	En el interior	Junta al pie del cilindro defectuosa, retenes radiales del eje defectuosos, cilindro o aros de pistón defectuosos
		Al exterior	Bujía no cierra herméticamente
	Avería mecánica	Dispositivo de arranque no engrana	Muelle en dispositivo de arranque roto, componentes rotos en el interior del motor
Motor arranca, pero no marcha	Alimentación de combustible	Depósito de combustible cargado	Ajuste incorrecto de las r. p. m. en marcha sin carga, cabeza de aspiración o carburador sucios, ventilación del depósito defectuosa, tubería de combustible interrumpida, cable defectuoso, interruptor arranque-parada defectuoso, válvula de descompresión sucia
Potencia insuficiente	Posiblemente varias sistemas al mismo tiempo	Motor marcha en vacío	Filtro de aire sucio, ajuste del carburador incorrecto, silenciador obstruido, canal de salida de humos en el cilindro atrancado, la rejilla parachispas atrancado

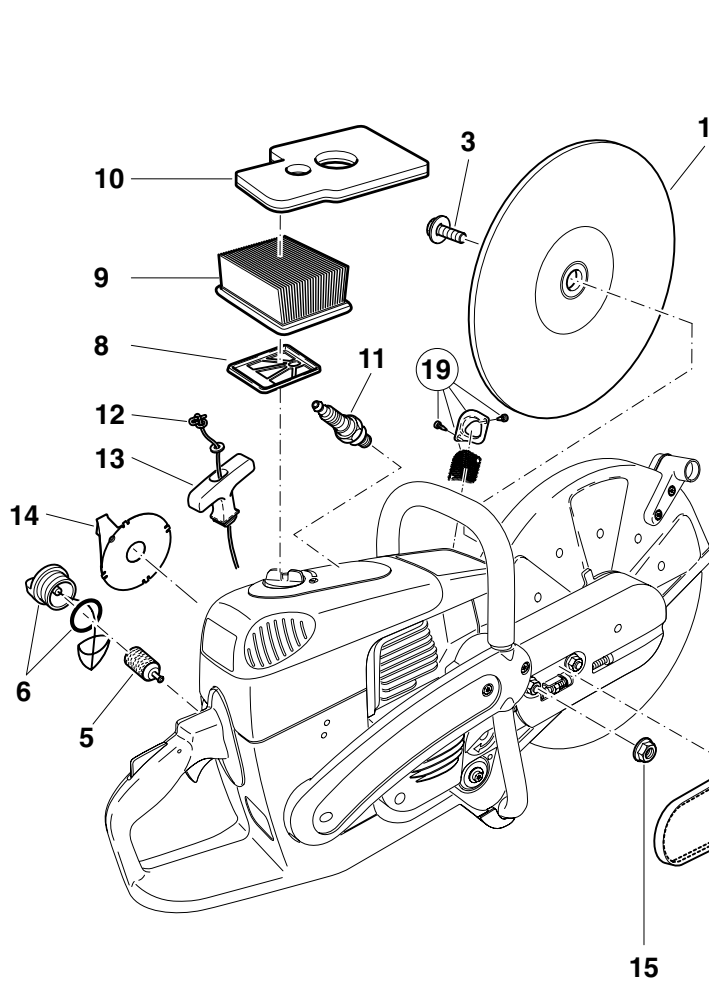
Extracto de la lista de piezas de repuesto

Usar sólo piezas de repuesto de origen DOLMAR. Dejar realizar reparaciones y remplazos de otras piezas por un taller especializado de DOLMAR.

PC-6430, 6435

PC-7330, 7335

DOLMAR

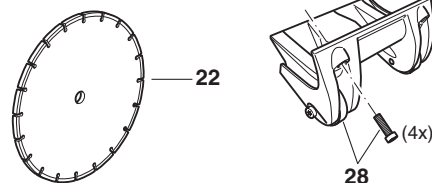
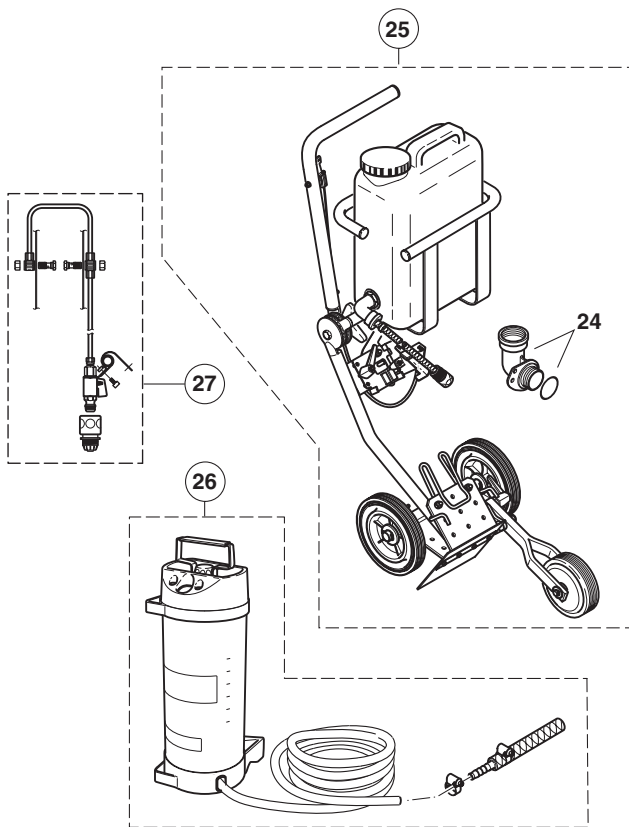


Pos. No. DOLMAR	No.	Denominación
Mueles de tronzar resina sintética		
1	966 121 150	1 Para acero ø 300/20 mm (12"/0.8")
	966 141 150	1 Para acero ø 350/20 mm (14"/0.8")
	966 144 150	1 Para acero ø 350/25,4 mm (14"/1.0")
1	966 121 120	1 Para piedra ø 300/20 mm (12"/0.8")
	966 141 120	1 Para piedra ø 350/20 mm (14"/0.8")
	966 144 120	1 Para piedra ø 350/25,4 mm (14"/1.0")
3	994 280 250	1 Tuerca hexagonal M8x25
4	965 300 470	1 Correa
5	963 601 120	1 Cabezal de aspiración
6	010 114 091	1 Tapa depósito cpl. (combustible)
8	394 173 020	1 Filtro interior
9	394 173 010	1 Supl. filtro aire (cartucho papel)
10	326 173 080	1 Filtro previo (espuma)
11	965 603 021	1 Bujía
12	122 164 010	1 Cuerda de arranque ø4,0x1000 mm
13	001 161 020	1 Tirador de arranque
14	394 163 020	1 Muelle recuper. en la caja
15	923 208 004	2 Tuercas hexagonal M8
16	941 719 140	1 Herramienta de montaje 13/19
17	940 827 000	1 Destornillador acodado T27
18	944 340 001	1 Destornillador (carburador)
19	394 174 140	1 Rejilla parachispas, cpl.

Accesorios (no suministrados con la cortadora)

Mueles de tronzar diamantada 12"/0.8"

22	966 221 020	1 Hormigón Standard ø 300/20 mm
22	966 321 020	1 Hormigón DiaDuran ø 300/20 mm
22	966 221 010	1 Asfalto Standard ø 300/20 mm
22	966 321 010	1 Asfalto DiaDuran ø 300/20 mm
14"/0.8"		
22	966 241 020	1 Hormigón Standard ø 350/20 mm
22	966 341 020	1 Hormigón DiaDuran ø 350/20 mm
22	966 241 010	1 Asfalto Standard ø 350/20 mm
22	966 341 010	1 Asfalto DiaDuran ø 350/20 mm
14"/1.0"		
22	966 244 020	1 Hormigón Standard ø 350/25,4 mm
22	966 344 020	1 Hormigón DiaDuran ø 350/25,4 mm
22	966 244 010	1 Asfalto Standard ø 350/25,4 mm
22	966 344 010	1 Asfalto DiaDuran ø 350/25,4 mm
-	394 228 121	1 Anillo adaptador ø 0.8"/1.0" (20/25,4 mm)
24	010 114 081	1 Cierre del tanque, acodado, compl.
25	700 394 322	1 Carro-guía PT-2000, compl.
26	957 802 200	1 Tanque de agua bajo presión, compl.
27	394 365 330	1 Tubería de agua bajo presión.
28	394 114 270	1 Pie con ruedas cpl.
-	949 000 035	1 Depósito combinado (para 5l combust., 2,5l aceite)





POWER PRODUCTS

Download from [Www.Somanuals.com](http://www.Somanuals.com). All Manuals Search And Download.

Form: 995 703 833 (6.05 GB, F, E)

Specifications subject to change without notice
Changements sans préavis
Mejoras constructivas sin previo aviso

Free Manuals Download Website

<http://myh66.com>

<http://usermanuals.us>

<http://www.somanuals.com>

<http://www.4manuals.cc>

<http://www.manual-lib.com>

<http://www.404manual.com>

<http://www.luxmanual.com>

<http://aubethermostatmanual.com>

Golf course search by state

<http://golfingnear.com>

Email search by domain

<http://emailbydomain.com>

Auto manuals search

<http://auto.somanuals.com>

TV manuals search

<http://tv.somanuals.com>