

DOLMAR

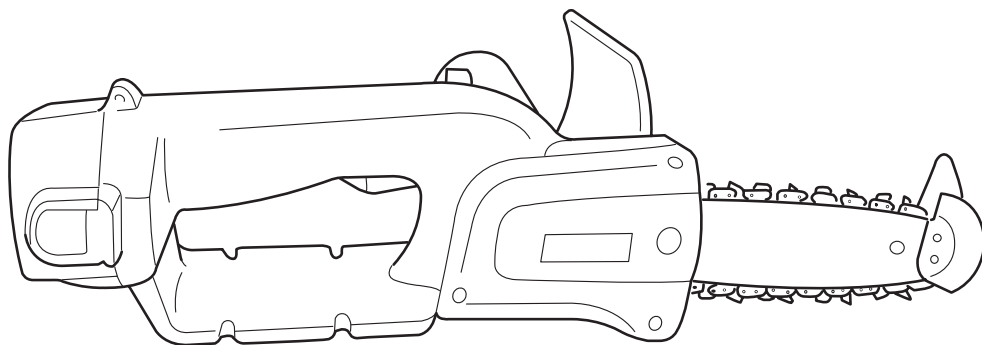


GB	Cordless Chain Saw	Instruction Manual
F	Tronçonneuse sans fil	Manuel d'instructions
D	Akku-Kettensäge	Betriebsanleitung
I	Motosega a batteria	Istruzioni per l'uso
E	Motosierra a batería	Manual de instrucciones
P	Electroserra a bateria	Manual de instruções

AS-1212

AS-1212LG

AS-1212LGE



AS-1212LG/AS-1212LGE

with battery charger

Avec chargeur

Mit Ladegerät

Con caricatore delle batterie

Con cargador

Com carregador

ENGLISH

EC-DECLARATION OF CONFORMITY

The undersigned, Junzo Asada and Reinhart Dörfelt, authorized by DOLMAR GmbH, Jenfelder Str. 38, D-22045 Hamburg declare that the battery-powered chain saw

Model AS-1212 (Serial No. : series production) manufactured by DOLMAR GmbH in Germany is in compliance with the following standards or standardized documents,

HD400, EN292, EN608, EN60204, EN55014

in accordance with Council Directives, 89/336/EEC, 98/37EC and 73/23/EEC.

EC Type Examination Certificate was issued by: SEMKO AB, Torshamnsgatan 43, Box 1103, S-164 22 KISTA, SWEDEN

EC Type Examination Certificate No.: MD102

FRANÇAISE

DÉCLARATION DE CONFORMITÉ CE

Nous soussignés, Junzo Asada et Reinhart Dörfelt, mandatés par DOLMAR GmbH, Jenfelder Str. 38, D-22045 Hamburg, déclarons que le tronçonneuse à batterie

Modèle AS-1212 (No. de série: production en série) fabriqué e par DOLMAR GmbH en Allemagne est conforme aux normes ou aux documents normalisés suivants,

HD400, EN292, EN608, EN60204, EN55014

conformément aux Directives du Conseil, 89/336/CEE, 98/37/EG et 73/23/CEE.

Un Certificat d'inspection de type EC a été émis par : SEMKO AB, Torshamnsgatan 43, Box 1103, S-164 22 KISTA, SWEDEN

Certificat d'inspection de type EC No : MD102

DEUTSCH

CE-KONFORMITÄTSERKLÄRUNG

Hiermit erklären die Unterzeichnete, Junzo Asada und Reinhart Dörfelt, Bevollmächtigte von DOLMAR GmbH, Jenfelder Str. 38, D-22045 Hamburg, dass die akkugetriebene Kettensäge

Modell AS-1212 (Serien-Nr.: Serienproduktion) hergestellt von DOLMAR GmbH in Deutschland, gemäß den Ratsdirektiven 89/336/EWG, 98/37/EG und 73/23/EWG mit den folgenden Normen bzw. Normendokumenten übereinstimmt.

HD400, EN292, EN608, EN60204, EN55014

Das EG-Typenprüfzertifikat wurde ausgestellt von: SEMKO AB, Torshamnsgatan 43, Box 1103, S-164 22 KISTA, SWEDEN

EG-Typenprüfzertifikat-Nr.: MD102

ITALIANO

DICHIARAZIONE DI CONFORMITÀ CON LE NORME DELLA COMUNITÀ EUROPEA

I sottoscritti, Junzo Asada e Reinhart Dörfelt, con l'autorizzazione della DOLMAR GmbH, Jenfelder Str. 38, D-22045 Hamburg, dichiariamo che la motosega a batteria

Modello AS-1212 (Numero di serie: Produzione in serie) fabbricata dalla DOLMAR GmbH in Germania è conforme ai seguenti standard o documenti standardizzati:

HD400, EN292, EN608, EN60204, EN55014

secondo le direttive del Consiglio 89/336/CEE, 98/37/CE e 73/23/CEE.

Il Certificato di esame tipo CE è stato rilasciato da: SEMKO AB, Torshamnsgatan 43, Box 1103, S-164 22 KISTA, SWEDEN

Certificato di esame tipo CE No.: MD102

ESPAÑOL

DECLARACIÓN DE CONFORMIDAD DE LA CE

Los abajo firmantes, Junzo Asada y Reinhart Dörfelt, autorizados por DOLMAR GmbH, Jenfelder Str. 38, D-22045 Hamburg, declaran que la motosierra a batería

Modelo AS-1212 (N.º de serie: producción en serie) fabricada por DOLMAR GmbH en Alemania cumple con las siguientes normas o documentos normalizados,

HD400, EN292, EN608, EN60204, EN55014

de acuerdo con las directivas comunitarias, 89/336/EEC, 98/37CE y 73/23/EEC.

El certificado de examen tipo EC fue emitido por: SEMKO AB, Torshamnsgatan 43, Box 1103, S-164 22 KISTA, SWEDEN

Certificado de examen tipo EC N.º: MD102

PORTUGUÊS

DECLARAÇÃO DE CONFORMIDADE DA CE

Os abaixo assinados, Junzo Asada e Reinhart Dörfelt, autorizados pela DOLMAR GmbH, Jenfelder Str. 38, D-22045 Hamburg, declaram que o serra de corrente portátil

Modelo AS-1212 (Nº de série: produção em série) Fabricada pela DOLMAR GmbH na Alemanha obedece às seguintes normas ou documentos normalizados.

HD400, EN292, EN608, EN60204, EN55014

de acordo com as directrizes 89/336/CEE, 98/37CE e 73/23/CEE.

O certificado de exame tipo CE foi emitido por: SEMIKO AB, Torshamnsgatan 43, Box 1103, S-164 22 KISTA, SWEDEN

Certificado de exame CE nº : MD102

Hamburg
Für DOLMAR GmbH CE94



Junzo Asada
Geschäftsführer



Reinhart Dörfelt
Geschäftsführer

ENGLISH

EC-DECLARATION OF CONFORMITY

The undersigned, Junzo Asada and Reinhart Dörfelt, authorized by DOLMAR GmbH, Jenfelder Str. 38, D-22045 Hamburg declare that the battery-powered chain saw

Model LG-125 (Serial No. : series production) is in compliance with the following standards or standardized documents,

EN60335, EN55014, EN61000

in accordance with Council Directives, 89/336/EEC, 98/37/EC and 73/23/EEC.

FRANÇAISE

DÉCLARATION DE CONFORMITÉ CE

Je soussigné, Junzo Asada et Reinhart Dörfelt, mandaté par DOLMAR GmbH, Jenfelder Str. 38, D-22045 Hamburg, déclare que les chargeur de batterie

Modèle LG-125 (No. de série: production en série) est conforme aux normes ou aux documents normalisés suivants,

EN60335, EN55014, EN61000

conformément aux Directives du Conseil, 89/336/CEE, 98/37/EG et 73/23/CEE.

DEUTSCH

CE-KONFORMITÄTSERKLÄRUNG

Hiermit erklärt der Unterzeichnete, Junzo Asada und Reinhart Dörfelt, Bevollmächtigter von DOLMAR GmbH, Jenfelder Str. 38, D-22045 Hamburg, daß das von der hergestellte Ladegerät

Modell LG-125 (Serien-Nr.: Serienproduktion) gemäß den Ratsdirektiven 89/336/EWG, 98/37/EG und 73/23/EWG mit den folgenden Normen bzw. Normendokumenten übereinstimmt.

EN60335, EN55014, EN61000

ITALIANO

DICHIARAZIONE DI CONFORMITÀ CON LE NORME DELLA COMUNITÀ EUROPEA

Il sottoscritto, Junzo Asada und Reinhart Dörfelt, con l'autorizzazione della DOLMAR GmbH, Jenfelder Str. 38, D-22045 Hamburg, dichiara che il caricabatteria

Modello LG-125 (Numero di serie: Produzione in serie) è conforme alle direttive europee riportate di seguito:

EN60335, EN55014, EN61000

secondo le direttive del Consiglio 89/336/CEE, 98/37/CE e 73/23/CEE.

ESPAÑOL

DECLARACIÓN DE CONFORMIDAD DE LA CE

El abajo firmante, Junzo Asada y Reinhart Dörfelt, autorizados por DOLMAR GmbH, Jenfelder Str. 38, D-22045 Hamburg, declara que el cargador de baterías

Modelo LG-125 (Número de serie: producción en serie) cumple las siguientes normas o documentos normalizados,

EN60335, EN55014, EN61000

de acuerdo con las directivas comunitarias, 89/336/EEC, 98/37CE y 73/23/EEC.

PORTUGUÊS

DECLARAÇÃO DE CONFORMIDADE DA CE

O abaixo assinado, Junzo Asada e Reinhart Dörfelt, autorizado pela DOLMAR GmbH, Jenfelder Str. 38, D-22045 Hamburg, declara que o carregador de bateria

Modelo LG-125 (N. de série: produção em série) obedece às seguintes normas ou documentos normalizados.

EN60335, EN55014, EN61000

de acordo com as directivas 89/336/CEE, 98/37CE e 73/23/CEE do Conselho.

Hamburg
Für DOLMAR GmbH CE94



Junzo Asada
Geschäftsführer



Reinhart Dörfelt
Geschäftsführer

ENGLISH

Noise and Vibration

Measured sound power level ; 90 dB
Guaranteed sound power level ; 94 dB
Measured according to Council Directive 2000/14/EC.
– Wear ear protection. –
The typical weighted root mean square acceleration value is 6 m/s^2 .
Measured according to pr EN50144-2-12.

FRANÇAISE

Bruit et vibrations

Niveau de puissance sonore mesuré ; 90 dB
Niveau de puissance sonore garanti ; 94 dB
Mesuré conformément à la Directive du Conseil 2000/14/EC.
– Porter des protecteurs anti-bruit. –
L'accélération pondérée est de 6 m/s^2 .
Mesuré selon pr EN50144-2-12.

DEUTSCH

Geräusch- und Vibrationsentwicklung

Gemessener Schalldruckpegel ; 90 dB
Garantierter Schalldruckpegel ; 94 dB
Messung gemäß Ratsdirektive 2000/14/EG.
– Gehörschutz tragen. –
Der gewichtete Effektivwert der Beschleunigung beträgt 6 m/s^2 .
Gemäß pr EN50144-2-12 gemessen.

ITALIANO

Rumore e vibrazione

Livello di potenza sonora misurato ; 90 dB
Livello di potenza sonora garantito ; 94 dB
Misurato secondo la direttiva del Concilio 2000/14/CE.
– Indossare i paraorecchi. –
Il valore quadratico medio di accelerazione è di 6 m/s^2 .
Misurato conformemente a pr EN50144-2-12.

ESPAÑOL

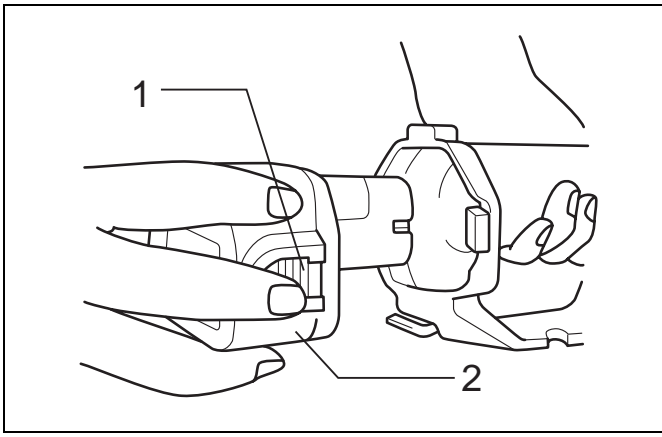
Ruido y vibración

Nivel de potencia de sonido medido ; 90 dB
Nivel de potencia de sonido garantizado ; 94 dB
Medido de acuerdo el consejo de la directiva 2000/14/EC.
– Póngase protectores en los oídos. –
El valor ponderado de la aceleración es de 6 m/s^2 .
Medido de acuerdo con pr EN50144-2-12.

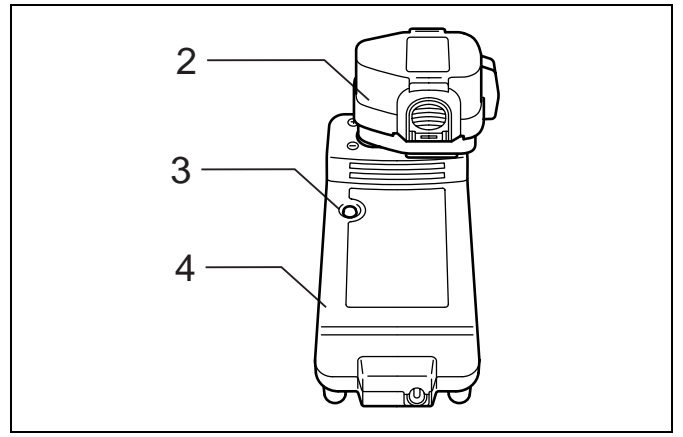
PORTUGUÊS

Ruído e vibração

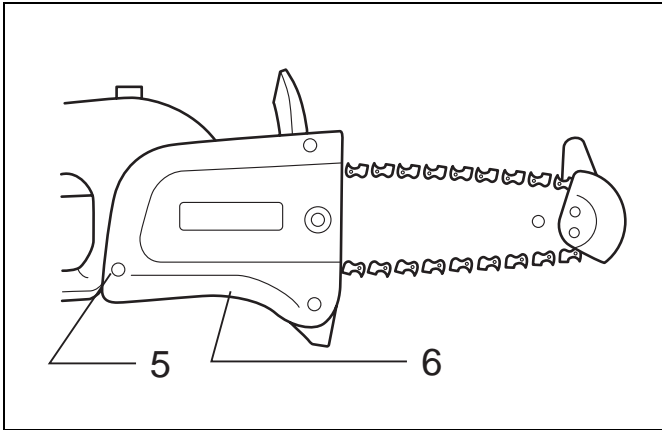
Nível medido da potência sonora ; 90 dB
Nível garantido da potência sonora ; 94 dB
Medido de acordo com a Directiva do Conselho 2000/14/EC
– Utilize protectores para os ouvidos –
O valor médio da aceleração é a 6 m/s^2 .
Medido de acordo com o pr EN50144-2-12.



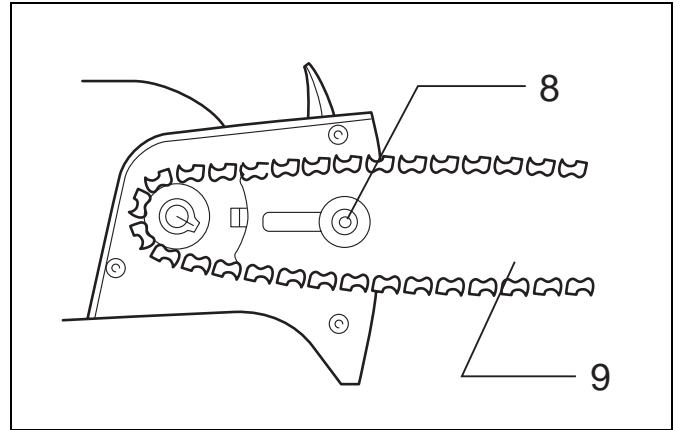
1



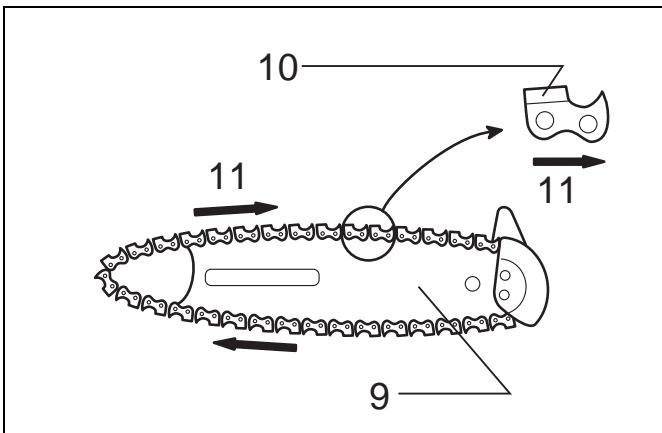
2



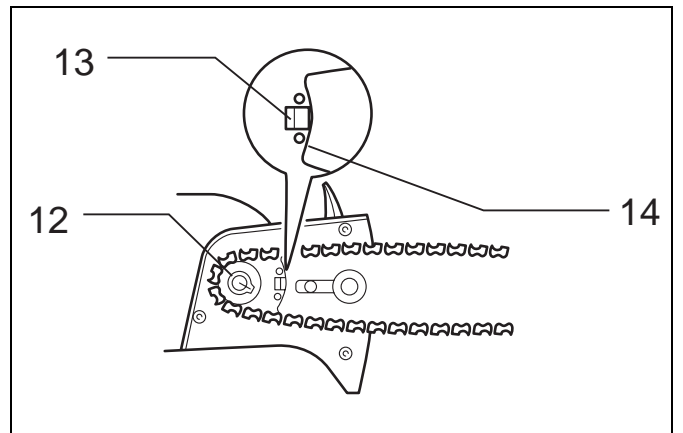
3



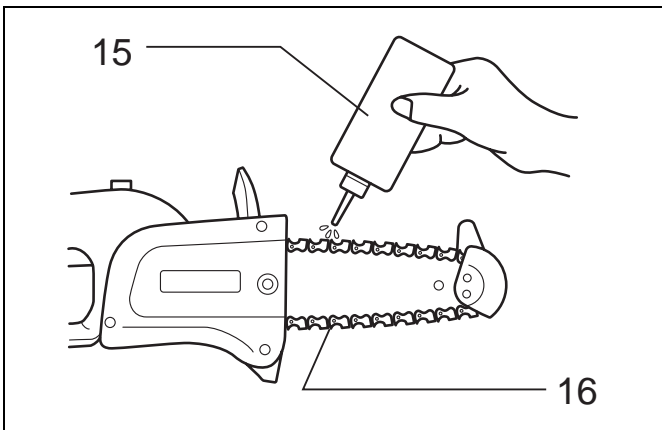
4



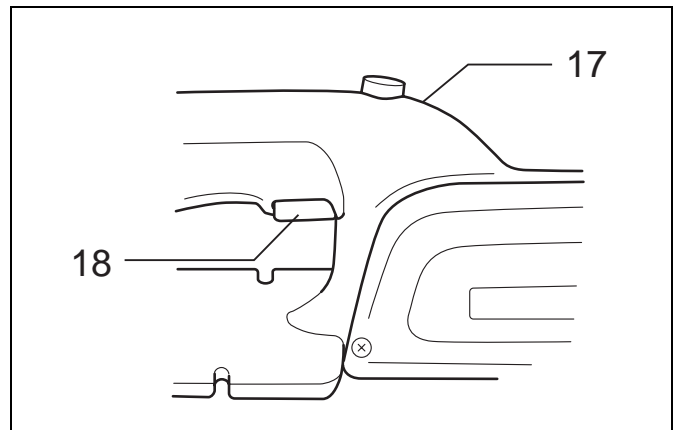
5



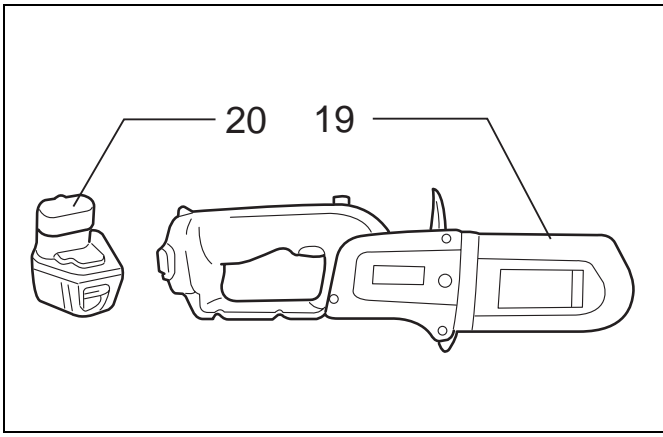
6



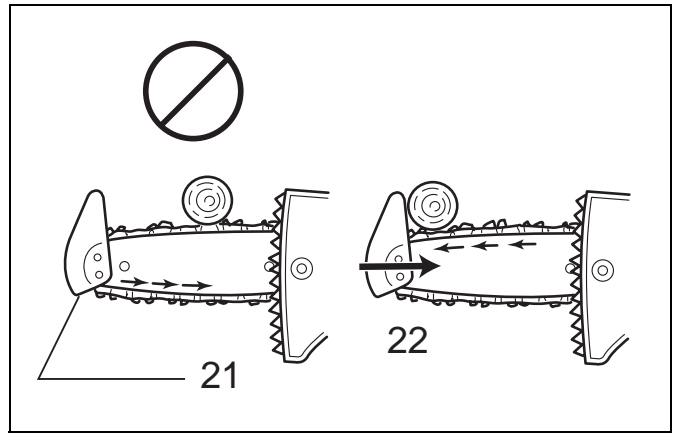
7



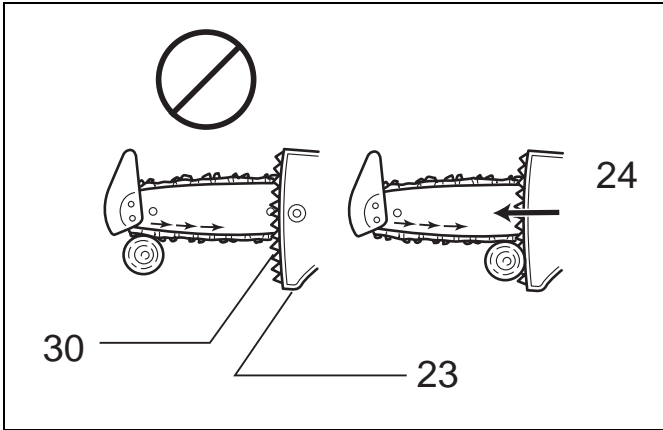
8



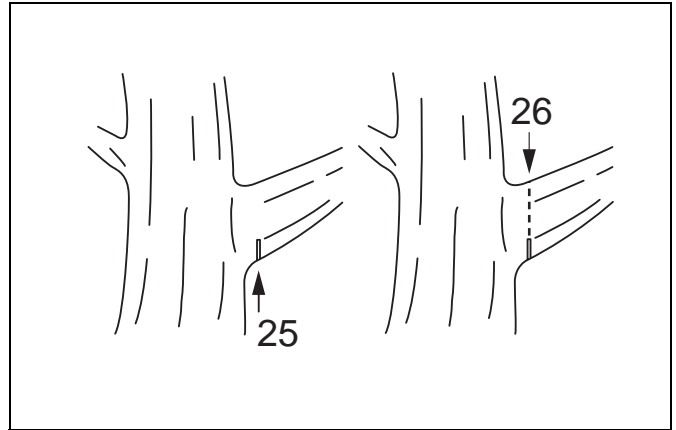
9



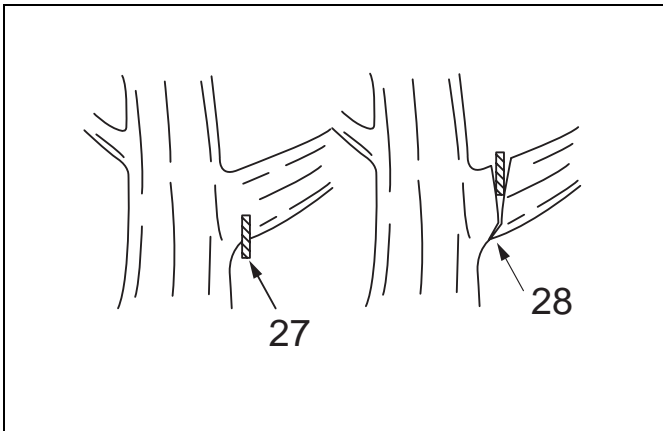
10



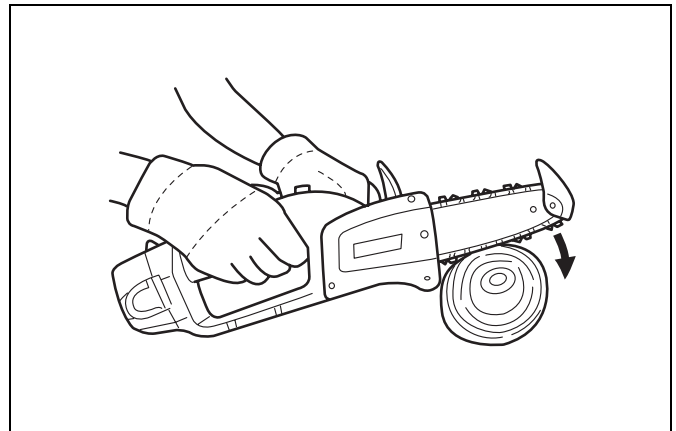
11



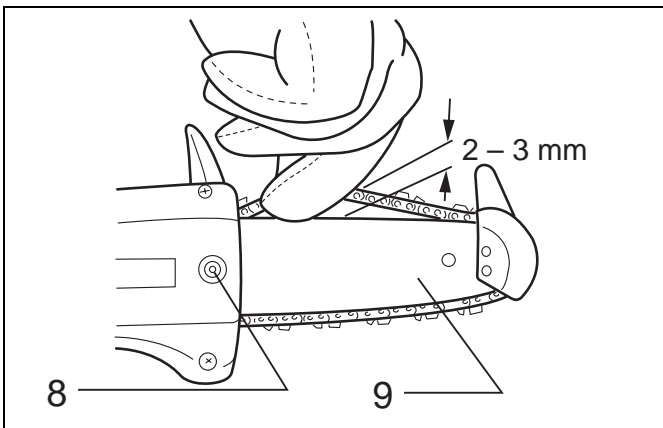
12



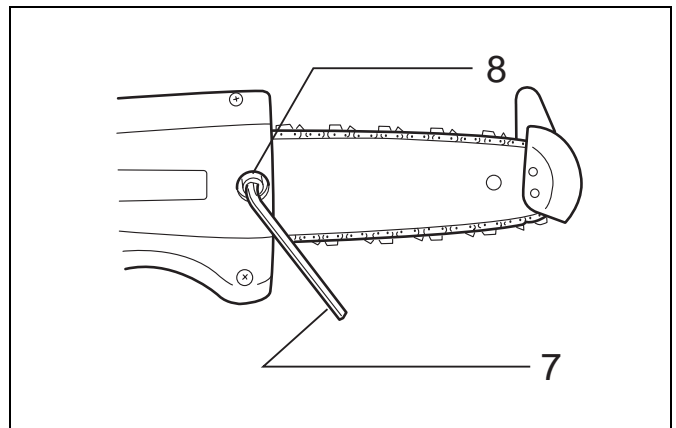
13



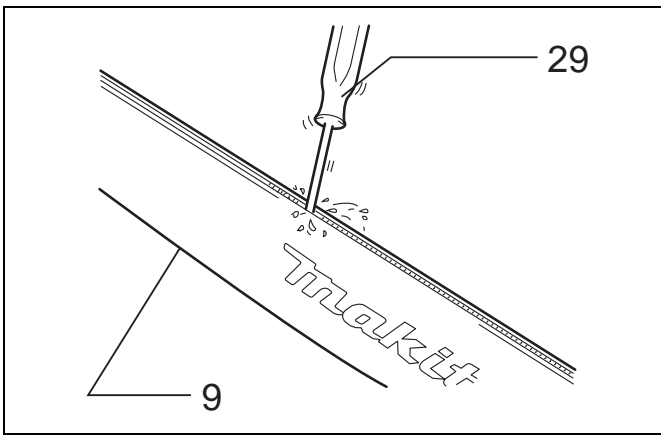
14



15



16



17

Symbols

The followings show the symbols used for the tool. Be sure that you understand their meaning before use.

Symboles

Nous donnons ci-dessous les symboles utilisés pour l'outil. Assurez-vous que vous en avez bien compris la signification avant d'utiliser l'outil.

Symbole

Die folgenden Symbole werden für die Maschine verwendet. Machen Sie sich vor der Benutzung unbedingt mit ihrer Bedeutung vertraut.

Simboli

Per questo utensile vengono usati i simboli seguenti. Bisogna capire il loro significato prima di usare l'utensile.

Símbolos

A continuación se muestran los símbolos utilizados con esta herramienta. Asegúrese de que entiende su significado antes de usarla.

Símbolos

O seguinte mostra os símbolos utilizados para a ferramenta. Certifique-se de que compreende o seu significado antes da utilização.



- Indoor use only
- A utiliser à l'intérieur
- Nur für trockene Räume
- Da usare solo al coperto
- Usar sólo en interiores
- Usar só em interiores



- Read instruction manual.
- Lire le mode d'emploi.
- Bitte Bedienungsanleitung lesen.
- Leggete il manuale di istruzioni.
- Lea el manual de instrucciones.
- Leia o manual de instruções.



- DOUBLE INSULATION
- DOUBLE ISOLATION
- DOPPELT SCHUTZISOLIERT
- DOPPIO ISOLAMENTO
- DOBLE AISLAMIENTO
- DUPLO ISOLAMENTO



- Two handed use. The tool is designed for right handed use only.
- Manipulez l'outil avec les deux mains. Cet outil est conçu pour être utilisé avec les deux mains et commandé principalement par la main droite.
- Halten Sie das Werkzeug mit beiden Händen fest. Dieses Werkzeug ist für zueihändigen Einsatz ausgelegt und wird hauptsächlich mit der rechten Hand bedient.
- Maneggiare l'utensile con entrambe le mani. Questo utensile è progettato per l'uso con entrambe le mani e per essere usato principalmente con la mano destra.
- Herramienta de empleo con ambas manos. Esta herramienta ha sido diseñada para ser usada con ambas manos y accionada exclusivamente con la mano derecha.
- Agarre na ferramenta com as duas mãos. Esta ferramenta foi concebida para utilização com as duas mãos e deve funcionar com ela principalmente com a mão direita.



- Ready to charge
- Prêt à recharger
- Ladebereit
- Pronto per la carica
- Preparación para la carga
- Pronto a carregar



- Charging
- En charge
- Akku wird geladen
- In carica
- Cargando
- A carregar



- Charging complete
- Recharge terminée
- Laden beendet
- Completamento della carica
- Completada la carga
- Carga completa



- Delay charge (too hot battery)
- Charge différée (batterie trop chaude)
- Ladeunterbrechung (Akku zu heiß)
- Ritardare la carica (batteria troppo calda)
- Retardo de la carga (batería muy caliente)
- Atraso na carga (bateria muito quente)



- Deffective battery
- Batterie défectueuse
- Akku defekt
- Batteria difettosa
- Batería defectuosa
- Bateria estragada

ENGLISH

Explanation of general view

1	Button	12	Sprocket	22	Front face of housing
2	Battery cartridge	13	Chain tension adjusting spring	23	Cutting force pulls chain saw away from operator.
3	Charging light	14	Chain oil	24	Spike
4	Battery charger	15	Saw chain	25	Shallow undercut
5	Screw	16	Lock-off button	26	Finish cut from top
6	Sprocket guard	17	Switch trigger	27	Chain saw will be pinched.
7	Hex wrench	18	Scabbard (chain cover)	28	Branch will splinter.
8	Bolt	19	Battery cover	29	Screwdriver
9	Guide bar	20	Tip guard		
10	Cutter	21	Cutting force pushes chain saw toward operator.		
11	Revolving direction				

SPECIFICATIONS

Model	AS-1212/LG/LGE
Chain speed per minute	2.7 m/s
Effective cutting length	115 mm
Saw chain type	25AP
Saw chain pitch	1/4"
No. of drive links	42
Net weight	2.2 kg
Rated voltage	D.C. 12V

- Due to our continuing program of research and development, the specifications herein are subject to change without notice.
- Note: Specifications may differ from country to country.

Safety hints

For your own safety, please refer to the enclosed safety instructions.

IMPORTANT SAFETY INSTRUCTIONS FOR CHARGER & BATTERY CARTRIDGE

ENC001-3

1. **SAVE THESE INSTRUCTIONS** — This manual contains important safety and operating instructions for battery charger.
2. **Before using battery charger, read all instructions and cautionary markings on (1) battery charger, (2) battery, and (3) product using battery.**
3. **CAUTION** — To reduce risk of injury, charge only Dolmar type rechargeable batteries. Other types of batteries may burst causing personal injury and damage.
4. **Do not expose charger to rain or snow.**
5. **Use of an attachment not recommended or sold by the battery charger manufacturer may result in a risk of fire, electric shock, or injury to persons.**
6. **To reduce risk of damage to electric plug and cord, pull by plug rather than cord when disconnecting charger.**
7. **Make sure cord is located so that it will not be stepped on, tripped over, or otherwise subjected to damage or stress.**
8. **Do not operate charger with damaged cord or plug — replace them immediately.**
9. **Do not operate charger if it has received a sharp blow, been dropped, or otherwise damaged in any way; take it to a qualified serviceman.**

10. **Do not disassemble charger or battery cartridge; take it to a qualified serviceman when service or repair is required. Incorrect reassembly may result in a risk of electric shock or fire.**
11. **To reduce risk of electric shock, unplug charger from outlet before attempting any maintenance or cleaning. Turning off controls will not reduce this risk.**
12. **The battery charger is not intended for use by young children or infirm persons without supervision.**
13. **Young children should be supervised to ensure that they do not play with the battery charger.**
14. **If operating time has become excessively shorter, stop operating immediately. It may result in a risk of overheating, possible burns and even an explosion.**
15. **If electrolyte gets into your eyes, rinse them out with clear water and seek medical attention right away. It may result in loss of your eyesight.**

ADDITIONAL SAFETY RULES FOR CHARGER & BATTERY CARTRIDGE

1. **Do not charge Battery Cartridge when temperature is BELOW 10°C (50°F) or ABOVE 40°C (104°F).**
2. **Do not attempt to use a step-up transformer, an engine generator or DC power receptacle.**
3. **Do not allow anything to cover or clog the charger vents.**
4. **Always cover the battery terminals with the battery cover when the battery cartridge is not used.**
5. **Do not short the battery cartridge:**
 - (1) **Do not touch the terminals with any conductive material.**
 - (2) **Avoid storing battery cartridge in a container with other metal objects such as nails, coins, etc.**
 - (3) **Do not expose battery cartridge to water or rain.**

A battery short can cause a large current flow, overheating, possible burns and even a breakdown.
6. **Do not store the tool and battery cartridge in locations where the temperature may reach or exceed 50°C (122°F).**
7. **Do not incinerate the battery cartridge even if it is severely damaged or is completely worn out. The battery cartridge can explode in a fire.**

8. Be careful not to drop, shake or strike battery.
9. Do not charge inside a box or container of any kind. The battery must be placed in a well ventilated area during charging.

ADDITIONAL SAFETY RULES FOR CHAIN SAW

1. Don't expose chain saw to rain. Don't use it in damp or wet locations.
2. Hold the chain saw firmly with both hands when the motor is running.
3. Install saw chain properly according to this instruction manual.
4. Do not overreach. Keep proper footing and balance at all times.
5. Keep all parts of the body away from the saw chain when the motor is operating.
6. Before you start the saw, make sure the saw chain is not contacting anything.
7. Switch off the chain saw immediately if you notice anything abnormal in operation.
8. Carefully inspect the chain saw if you drop or strike it against something hard.
9. When not in use, chain saws should be stored in a dry, and high or locked-up place — out of reach of children. When storing saw, use a scabbard (chain cover).
10. Use safety glasses. Also use safety footwear; snug fitting clothing; protective gloves; and head protection.

Charging (Fig. 2)

Plug the battery charger into the proper AC voltage source. The charging light will flash in green color. Insert the battery cartridge so that the plus and minus terminals on the battery cartridge are on the same sides as their respective markings on the battery charger. Insert the cartridge fully into the port so that it rests on the charger port floor. When the battery cartridge is inserted, the charging light color will change from green to red and charging will begin. The charging light will remain lit steadily during charging. When charging is completed in approx. 45 minutes, the charging light color will change from red to green.

After charging, unplug the charger from the power source.

Battery type	Capacity (Ah)	Number of cells
AP-123	2.0	10

CAUTION:

- The battery charger is for charging Dolmar battery cartridge. Never use it for other purposes or for other manufacturer's batteries.
- When you charge a new battery cartridge or a battery cartridge which has not been used for a long period of time, it may not accept a full charge. This is a normal condition and does not indicate a problem. You can recharge the battery cartridge fully after discharging it completely and recharging a couple of times.
- If you charge a battery cartridge from a just-operated tool or battery cartridge which has been left in a location exposed to direct sunlight or heat for a long time, the charging light may flash in red color. If this occurs, wait for a while. Charging will begin after the battery cartridge cools. The battery cartridge will cool faster if you remove the battery cartridge from the battery charger.
- If the charging light flashes alternately in green and red color, a problem exists and charging is not possible. The terminals on the charger or battery cartridge are clogged with dust or the battery cartridge is worn out or damaged.

11. Before making a cut, remove dirt, stones, loose bark, nails, staples and wire from the tree.
12. Secure the workpiece so that it will not move suddenly during operation. Be careful of cut-off pieces. They may hit operator.
13. To prevent the saw chain from being pinched in the cut, support the workpiece near the cut using blocks or the like.

SAVE THESE INSTRUCTIONS.

OPERATING INSTRUCTIONS

Installing or removing battery cartridge (Fig. 1)

- Always switch off the tool before insertion or removal of the battery cartridge.
- To remove the battery cartridge, withdraw it from the tool while pressing the buttons on both sides of the cartridge.
- To insert the battery cartridge, align the tongue on the battery cartridge with the groove in the housing and slip it into place. Always insert it all the way until it locks in place with a little click. If not, it may accidentally fall out of the tool, causing injury to you or someone around you.
- Do not use force when inserting the battery cartridge. If the cartridge does not slide in easily, it is not being inserted correctly.

Installing or removing saw chain

CAUTION:

- Always be sure that the tool is switched off and the battery cartridge is removed before installing or removing the saw chain.
- Always wear gloves when installing or removing the saw chain.

Loosen the screws with a screwdriver. Remove the sprocket guard. **(Fig. 3)**

Loosen the bolt with the hex wrench provided. Remove the guide bar. **(Fig. 4)**

Fit the saw chain over the guide bar. Notice that the cutters must be facing the revolving (arrow) direction. **(Fig. 5)**

Fit the saw chain over the sprocket. Install the guide bar so that its concave portion will contact the saw chain tension adjusting spring. **(Fig. 6)**

Tighten the bolt to secure the guide bar. Install the sprocket guard and tighten the screws to secure it.

Lubrication (Fig. 7)

CAUTION:

- Always be sure that the tool is switched off and the battery cartridge is removed before lubricating the saw chain.
- Always use vegetable oil when pruning fruit trees. Mineral oil may harm trees.

Lubricate the whole saw chain evenly before each use. Also lubricate it whenever replacing a fully discharged battery cartridge with a charged one.

Switch action (Fig. 8)

CAUTION:

Before inserting the battery cartridge into the tool, always check to see that the switch trigger actuates properly and returns to the "OFF" position when released.

To prevent the switch trigger from being accidentally pulled, a lock-off button is provided.

To start the tool, depress the lock-off button and pull the switch trigger. Release the switch trigger to stop.

Carrying tool (Fig. 9)

Always remove the battery cartridge from the tool and cover the guide bar with the scabbard before carrying the tool. Also cover the battery cartridge with the battery cover.

Pruning trees

CAUTION:

- Keep all parts of the body away from the saw chain when the motor is operating.
- Hold the chain saw firmly with both hands when the motor is running.
- Do not overreach. Keep proper footing and balance at all times.

Bring the tip guard/front face of housing into contact with the branch to be cut before switching on. Cutting without bringing the tip guard/front face of housing into contact with the branch may cause the guide bar to wobble, resulting in injury to operator. **(Fig. 10 & 11)**

When cutting thick branches, first make a shallow undercut and then make the finish cut from the top. **(Fig. 12)**

If you try to cut off thick branches from the bottom, the branch may close in and pinch the saw chain in the cut. If you try to cut off thick branches from the top without a shallow undercut, the branch may splinter. **(Fig. 13)**

If you cannot cut the timber right through with a single stroke:

- Apply light pressure to the handle and continue sawing and
- draw the chain saw back a little; then
- apply the spike a little lower and
- finish the cut by raising the handle. **(Fig. 14)**

Adjusting saw chain tension (Fig. 15 & 16)

The saw chain may become loose after many hours of use. From time to time check the saw chain tension before use. Grasp the saw chain in the middle of the guide bar and lift up. The gap between the guide bar and the tie strap of the saw chain should be approx. 2 – 3 mm. If the gap is not approx. 2 – 3 mm, slightly loosen the bolt which secures the guide bar. The gap will be automatically adjusted to approx. 2 – 3 mm by the saw chain tension adjusting spring. Then tighten the bolt securely after making sure that gap is approx. 2 – 3 mm.

MAINTENANCE

CAUTION:

- Always be sure that the tool is switched off and the battery cartridge is removed before carrying out any work on the tool.
- Always wear gloves when performing any inspection or maintenance.
- Please have your saw chain sharpened at a Dolmar Authorized Service Center or replace with a new one if your saw chain does not cut correctly.

Cleaning guide bar (Fig. 17)

Chips and sawdust will build up in the guide bar groove, clogging it and impairing oil flow. Always clean out the chips and sawdust when sharpening or replacing the saw chain.

Storing tool

Clean the tool before storing. Remove any chips and sawdust from the tool after removing the chain cover. After cleaning the tool, run it under no load. Then remove the battery cartridge from the tool and lubricate the saw chain and guide bar.

To maintain product safety and reliability, repairs, maintenance or adjustment should be carried out by a Dolmar Authorized Service Center.

ACCESSORIES

CAUTION:

- These accessories or attachments are recommended for use with your Dolmar tool specified in this manual. The use of any other accessories or attachments might present a risk of injury to persons. Only use accessory or attachment for its stated purpose.

If you need any assistance for more details regarding these accessories, ask your local Dolmar service center.

- Hex wrench
- Scabbard
- Round file
- Chain oil
- Various type of Dolmar genuine batteries and chargers

Descriptif

1	Pattes de verrouillage	12	Pignon	21	Recul de la machine vers l'utilisateur.
2	Batterie	13	Ressort de réglage de tension de chaîne	22	Face avant du carter
3	Voyant de charge	14	Huile de chaîne	23	La machine est attirée vers l'avant.
4	Chargeur	15	Chaîne de scie	24	Barre dentée
5	Vis	16	Bouton de sécurité	25	Entaille peu profonde
6	Protection du pignon	17	Gâchette	26	Coupe finie vue de dessus
7	Clé hexagonale	18	Fourreau (cache de chaîne)	27	La chaîne va coincer.
8	Vis BTR	19	Cache de batterie	28	La branche va se fendre.
9	Guide de chaîne	20	Protection de la pointe	29	Tournevis
10	Tranchant du maillon				
11	Sens de rotation				

SPECIFICATIONS

Modèle	AS-1212/LG/LGE
Vitesse de chaîne par minute	2,7 m/s
Longueur de coupe effective	115 mm
Type de chaîne de scie	25AP
Pas de chaîne de scie	1/4"
Nombre de maillons d'entraînement	42
Poids net	2,2 kg
Tension nominale	CC 12 V

- Etant donné l'évolution constante de notre programme de recherche et de développement, les spécifications contenues dans ce manuel sont sujettes à modification sans préavis.
- Note : Les spécifications peuvent varier suivant les pays.

Consignes de sécurité

Pour votre propre sécurité, reportez-vous aux consignes de sécurité qui accompagnent l'outil.

PRECAUTIONS TRES IMPORTANTES POUR LE CHARGEUR ET LA BATTERIE

1. **SUIVEZ CES INSTRUCTIONS** — Ce manuel contient d'importantes instructions relatives à la sécurité et au fonctionnement du chargeur.
2. Avant de vous servir du chargeur, lisez toutes les instructions et précautions relatives (1) au chargeur, (2) à la batterie, et (3) à l'outil utilisant la batterie.
3. **ATTENTION** — Pour éliminer tout risque, ne chargez que des batteries rechargeables Dolmar. Tout autre type d'accumulateur peut éclater, causant dommages ou blessures.
4. N'exposez pas le chargeur à la pluie ou à la neige.
5. L'utilisation d'un accessoire ni agréé ni vendu par le fabricant du chargeur peut entraîner un risque d'incendie, de décharge électrique ou de blessure.
6. Pour ne pas risquer d'endommager le câble ou la prise, débranchez en tenant la prise plutôt que le câble.
7. Assurez-vous que la position du câble ne l'expose pas à faire trébucher, à être piétiné, ou à forcer de quelque manière que ce soit.
8. N'utilisez pas le chargeur si le câble ou la prise sont en mauvais état — en ce cas, changez ceux-ci immédiatement.

9. **N'utilisez pas le chargeur après qu'il ait reçu un choc, soit tombé à terre ou se trouve endommagé en quelque façon ; portez-le d'abord chez un réparateur qualifié.**
10. **Ne démontez pas le chargeur ou la batterie ; portez-les chez un réparateur qualifié quand une réparation devient nécessaire. Un remontage maladroir peut entraîner une décharge électrique ou un incendie.**
11. **Afin de réduire les risques de décharge, débranchez le chargeur avant tout entretien ou nettoyage.**
12. **La batterie ne doit pas être utilisée sans surveillance par des enfants ou des personnes handicapées.**
13. **Les jeunes enfants devraient être surveillés pour s'assurer qu'ils ne jouent pas avec la batterie.**
14. **Si la durée de fonctionnement devient excessivement courte, cessez immédiatement l'utilisation. Il pourrait en résulter un risque de surchauffe, une possibilité de blessures, voire une explosion.**
15. **Si l'électrolyte atteint vos yeux, rincez-les à l'eau claire et consultez immédiatement un médecin. Il pourrait en résulter la perte de la vue.**

PRECAUTIONS SUPPLEMENTAIRES POUR LE CHARGEUR ET LA BATTERIE

1. Ne chargez pas la batterie quand la température ambiante est inférieure à 10°C ou supérieure à 40°C.
2. Ne pas alimenter le chargeur — via un transformateur — via un redresseur — par un groupe électrogène.
3. Ne laissez rien recouvrir ou obturer les ouvertures du chargeur.
4. Lorsque vous ne vous servez pas de votre batterie, protégez-en toujours les bornes avec le couvre-batterie.

5. **Ne court-circuitez pas la batterie :**
 - (1) Ne touchez pas les bornes avec un matériau conducteur.
 - (2) Evitez de ranger la batterie dans un conteneur renfermant d'autres objets métalliques, par exemple des clous, des pièces de monnaie, etc.
 - (3) N'exposez pas la batterie à l'eau ou à la pluie. Un court-circuit de la batterie pourrait provoquer un fort courant, une surchauffe, parfois des blessures et même une panne.
6. Ne rangez pas votre outil ou votre batterie dans des endroits où la température risque de dépasser 50°C.
7. Ne brûlez pas batterie même si elle est sévèrement endommagée ou complètement hors d'usage, car elle risque d'exploser au feu.
8. Veillez à ne pas faire tomber, secouer ni heurter la batterie.
9. N'effectuez pas la recharge à l'intérieur d'une boîte ou d'un conteneur de quelque sorte que ce soit. La batterie devra se trouver dans un endroit bien ventilé pendant la recharge.
7. Dès que vous remarquez quelque chose d'anormal, mettez immédiatement la scie à chaîne hors tension.
8. Inspectez soigneusement la scie à chaîne si vous l'avez fait tomber ou heurtée contre quelque chose de dur.
9. Lorsque vous ne vous servez pas de la scie à chaîne, rangez-la dans un endroit sec, en hauteur et fermé à clé — hors de portée des enfants. Quand vous la rangez, utilisez le fourreau (cache de chaîne).
10. Portez des lunettes de sécurité. Portez également des chaussures de sécurité, des vêtements ajustés, des gants de protection et un couvre-chef.
11. Avant de commencer le travail, retirez toutes les saletés, pierres, morceaux d'écorce, clous, agrafes et fils métalliques de l'arbre.
12. Faites attention aux morceaux coupés. Ils pourraient vous frapper.
13. Pour éviter que la chaîne de scie ne se coince dans la découpe, soutenez la pièce près du point de coupe, à l'aide de cales par exemple.

CONSIGNES DE SECURITE SUPPLEMENTAIRES POUR LA SCIE A CHAINE

1. N'exposez pas la scie à chaîne à la pluie. Ne l'utilisez pas dans un endroit humide ou mouillé.
2. Tenez la scie à chaîne fermement des deux mains lorsque le moteur tourne.
3. Installez la scie à chaîne correctement en suivant les instructions du manuel.
4. Ne vous penchez pas trop. Gardez constamment une bonne assise et un bon équilibre.
5. Eloignez toutes les parties du corps de la chaîne de scie lorsque le moteur fonctionne.
6. Avant de mettre la scie en marche, vérifiez qu'elle ne soit pas en contact avec quoi que ce soit.

Recharge (Fig. 2)

Branchez le chargeur dans une prise secteur de la tension voulue. Le voyant de charge clignote en vert. Introduisez la batterie de façon que ses bornes positive et négative soient du même côté que leurs indications respectives sur le chargeur lui-même. Enfoncez la batterie à fond dans la niche du chargeur de façon qu'elle repose bien à plat sur le fond de la niche. Lorsque la batterie est insérée, le voyant de charge passe du vert au rouge et la recharge commence. Le voyant de charge reste allumé en continu pendant toute la durée de la recharge. Quand la recharge est terminée au bout de 45 minutes environ, le voyant de charge repasse du rouge au vert.

Après la recharge, débranchez le chargeur de la prise secteur.

Type de batterie	Capacité (Ah)	Nombre d'accus
AP-123	2,0	10

ATTENTION :

- Le chargeur est conçu pour la recharge des batteries Dolmar. Ne l'utilisez jamais à d'autres fins ni pour des batteries d'autres marques.
- Quand vous chargez une batterie neuve ou une batterie qui n'a pas été utilisée pendant longtemps, elle peut ne pas se recharger complètement. Ceci est normal. Vous pourrez recharger la batterie complètement après l'avoir déchargée à fond puis rechargée deux ou trois fois de suite.
- Si vous rechargez la batterie d'un outil qui vient juste de fonctionner ou une batterie qui est restée en plein soleil ou à la chaleur pendant longtemps, il se peut que le voyant de charge clignote en rouge. Dans ce cas, attendez quelques instants. La recharge commencera lorsque la batterie aura refroidi. La batterie refroidira plus vite si vous la sortez du chargeur.

CONSERVEZ CES INSTRUCTIONS.

MODE D'EMPLOI

Installation et retrait de la batterie (Fig. 1)

- Mettez toujours l'outil hors tension avant d'installer ou de retirer la batterie.
- Pour retirer la batterie, sortez-la de l'outil en appuyant sur les pattes de verrouillage des deux côtés de la batterie.
- Pour insérer la batterie, alignez la languette de la batterie sur la rainure du logement, et glissez la batterie. Glissez-la bien toujours à fond jusqu'à ce qu'elle se verrouille dans un petit déclic. Sinon, elle risque de tomber accidentellement de l'outil, ce qui pourrait vous blesser, vous ou d'autres personnes à proximité.
- N'insérez pas la batterie de force. Si elle ne rentre pas facilement, c'est que vous ne l'insérez pas correctement.

- Si le voyant de charge clignote alternativement en vert puis en rouge, c'est qu'il y a un problème et la recharge n'est pas possible. Les bornes du chargeur ou de la batterie sont recouvertes de poussière, ou la batterie est usée ou endommagée.

Installation ou retrait de la chaîne de scie

ATTENTION :

- Assurez-vous toujours que l'outil est hors tension et que la batterie est retirée avant d'installer ou de retirer la chaîne de scie.
- Portez toujours des gants pour installer ou retirer la chaîne de scie.

Desserrez les vis avec un tournevis. Retirez la protection du pignon. **(Fig. 3)**

Desserrez la vis BTR avec la clé hexagonale fournie.

Enlevez le guide de chaîne. **(Fig. 4)**

Faites passer la chaîne sur le guide. Notez que les maillons devront être tournés dans le sens de rotation (flèche). **(Fig. 5)**

Faites passer la chaîne sur le pignon. Installez le guide de façon que sa partie concave soit en contact avec le ressort de réglage de la tension de chaîne. **(Fig. 6)**

Serrez le boulon pour fixer le guide. Montez la protection du pignon et serrez la vis pour la fixer.

Lubrification (Fig. 7)

ATTENTION :

- Assurez-vous toujours que l'outil est hors tension et que la batterie est retirée avant de graisser la chaîne.
- Utilisez toujours une huile végétale lorsque vous élaguez des arbres fruitiers. Les huiles minérales pourraient nuire aux arbres.

Graissez toute la chaîne de façon uniforme avant chaque utilisation. Graissez-la également chaque fois que vous remplacez une batterie entièrement déchargée par une batterie chargée.

Interrupteur (Fig. 8)

ATTENTION :

Avant d'insérer la batterie dans l'outil, vérifiez toujours que la gâchette fonctionne correctement et qu'elle revient sur la position "OFF" quand vous la relâchez.

Pour éviter tout déclenchement accidentel de la gâchette, un bouton de sécurité a été prévu.

Pour démarrer l'outil, appuyez sur le bouton de sécurité et tirez sur la gâchette. Pour l'arrêter, relâchez la gâchette.

Transport de l'outil (Fig. 9)

Sortez toujours la batterie de l'outil et recouvrez le guide avec le fourreau avant de transporter l'outil. Recouvrez également la batterie avec le cache de la batterie.

Elagage des arbres

ATTENTION :

- Eloignez toutes les parties du corps de la chaîne lorsque le moteur fonctionne.
- Tenez la scie à chaîne fermement des deux mains lorsque le moteur tourne.
- Ne vous penchez pas trop. Gardez une bonne assise et un bon équilibre en tout temps.

Amenez la protection de la pointe/face avant du carter en contact avec la branche à couper avant de mettre l'outil sous tension. Si vous coupez sans amener la protection de la pointe/face avant du carter en contact avec la branche, la barre de guidage risque de tourner irrégulièrement et de vous blesser. **(Fig. 10 et 11)**

Pour couper de grosses branches, commencez par faire une entaille peu profonde sous la branche, puis terminez la coupe en procédant par le haut. **(Fig. 12)**

Si vous essayez de couper les grosses branches par le bas, la branche risque de s'affaisser et de coincer la chaîne dans la découpe. Par ailleurs, si vous essayez de couper les grosses branches à partir du haut sans faire une légère entaille sous la branche, la branche risque de se fendre. **(Fig. 13)**

Si vous n'arrivez pas à couper complètement la branche d'un seul coup :

- Appuyez légèrement sur la poignée et continuez à scier et
- déplacez la scie à chaîne d'avant en arrière ; puis
- dirigez la pointe un peu plus vers le bas et
- terminez la coupe en relevant la poignée. **(Fig. 14)**

Réglage de la tension de la chaîne de scie (Fig. 15 et 16)

La chaîne de scie risque de se distendre après un grand nombre d'heures d'utilisation. Vérifiez de temps en temps la tension de la chaîne de scie avant le travail. Tenez la chaîne de scie vers le milieu du guide de chaîne et soulevez-la. Le jeu entre le guide et la sangle d'attache de la chaîne de scie doit être d'environ 2 à 3 mm. Si le jeu s'écarte de cette valeur, desserrez légèrement le boulon de fixation du guide. Le jeu se réglera automatiquement entre 2 et 3 mm sous l'action du ressort de réglage de la tension de chaîne. Puis, resserrez la vis à fond après avoir vérifié que le jeu est d'environ 2 à 3 mm.

ENTRETIEN

ATTENTION :

- Avant toute intervention, assurez-vous que l'interrupteur est à l'arrêt, et la batterie retirée de l'outil.
- Portez toujours des gants pour effectuer toute opération d'inspection ou d'entretien.
- Veuillez faire affûter la chaîne de scie dans un Centre de Services Dolmar agréé ou la remplacer par une nouvelle si elle ne fonctionne pas correctement.

Nettoyage du guide (Fig. 17)

Les copeaux et la sciure s'accumulent dans la rainure du guide, ce qui la colmate et entrave la bonne répartition de l'huile. Enlevez toujours les copeaux et la sciure lorsque vous affûtez ou que vous remplacez la chaîne de scie.

Remisage de l'outil

Nettoyez l'outil avant de le remisier. Enlevez tous les copeaux et la sciure de l'outil après avoir retiré le cache de chaîne. Lorsque l'outil est nettoyé, faites-le marcher à vide. Puis, retirez la batterie et graissez la chaîne de scie et le guide.

Pour maintenir la sécurité et la fiabilité du machines, les réparations, l'entretien ou les réglages doivent être effectués par le Centre d'Entretien Dolmar.

ACCESSOIRES

ATTENTION :

- Ces accessoires ou pièces complémentaires sont recommandés pour l'utilisation avec l'outil Dolmar spécifié dans ce mode d'emploi. L'utilisation de tout autre accessoire ou pièce complémentaire peut comporter un risque de blessure. N'utilisez les accessoires ou pièces qu'aux fins auxquelles ils ont été conçus.

Si vous désirez obtenir plus de détails concernant ces accessoires, veuillez contacter le centre de service après-vente Dolmar le plus près.

- Clé hexagonale
- Fourreau
- Lime ronde
- Huile de chaîne
- Les divers types de batteries et chargeurs Dolmar authentiques

Übersicht

1 Knopf	13 Kettenspannungs-Einstellfeder	23 Die Schnittkraft zieht die Sägekette vom Bediener weg.
2 Akku	14 Kettenöl	24 Zacke
3 Ladelampe	15 Sägekette	25 Flacher Vorschnitt von unten
4 Ladegerät	16 Sicherheitsknopf	26 Endschnitt von oben
5 Schraube	17 Elektronikschalter	27 Die Sägekette wird festgeklemmt.
6 Kettenradschutz	18 Sägekettenschutz (Kettenabdeckung)	28 Der Ast splittert.
7 Sechskantschlüssel	19 Akkuabdeckung	29 Schraubendreher
8 Schraube	20 Spitzenschutz	
9 Führungsschiene	21 Die Schnittkraft drückt die Sägekette zum Bediener hin.	
10 Kettenzahn	22 Stirnfläche des Gehäuses	
11 Umlaufrichtung		
12 Kettenrad		

TECHNISCHE DATEN

Modell	AS-1212/LG/LGE
Kettengeschwindigkeit	2,7m/s
Effektive Schnittlänge	115mm
Sägekettentyp	OREGON Typ 25AP
Sägekettenteilung	1/4" (6,3mm)
Anzahl Antriebsglieder	42
Nettogewicht	2,2kg
Ausgangsspannung	12V
Ladezeit	ca. 1 Std.

- Wir behalten uns vor, Änderungen im Zuge der Entwicklung und des technischen Fortschritts ohne vorherige Ankündigung vorzunehmen.
- Hinweis: Die technischen Daten können von Land zu Land abweichen.

Sicherheitshinweise

Lesen und beachten Sie diese Hinweise, bevor Sie das Gerät benutzen.

WICHTIGE SICHERHEITSHINWEISE

1. **DIESE ANWEISUNGEN GUT AUFBEWAHREN** — Diese Betriebsanleitung enthält wichtige Sicherheits- und Gebrauchsanweisungen für Ladegeräte.
2. Lesen Sie vor der Benutzung des Ladegerätes alle Anweisungen und Warnhinweise, die auf (1) dem Ladegerät, (2) Akku und (3) Akku-Gerät angebracht sind.
3. **VORSICHT** — Um die Verletzungsgefahr zu reduzieren, dürfen nur Dolmar-Akkus verwendet werden. Andere Akku-Typen können platzen und Verletzungen oder Sachschäden verursachen.
4. Setzen Sie Ladegerät und Akku weder Regen noch Schnee aus.
5. Die Verwendung von Zubehör, das nicht vom Ladegerät-Hersteller empfohlen oder verkauft wird, kann Feuer, elektrische Schläge oder Verletzungen verursachen.
6. Um Beschädigung des Netzsteckers und Netzkabels zu vermeiden, ziehen Sie beim Trennen des Ladegerätes vom Stromnetz nicht an der Netzanschlußleitung, sondern nur am Netzstecker.
7. Verlegen Sie die Netzanschlußleitung so, daß niemand darauf tritt, darüber stolpert oder sonstigen Belastungen ausgesetzt wird.

8. **Betreiben Sie das Ladegerät nicht mit einer beschädigten Netzanschlußleitung oder Stecker** — beschädigte Teile sind unverzüglich auszuwechseln.
9. **Betreiben Sie das Ladegerät nicht, wenn es starken Erschütterungen ausgesetzt, fallen gelassen oder sonstwie beschädigt wurde.** Bringen Sie es in diesem Fall zu einem qualifizierten Kundendiensttechniker.
10. **Versuchen Sie nicht, das Ladegerät oder den Akku zu zerlegen, sondern bringen Sie es zu einem qualifizierten Kundendiensttechniker, wenn Wartungs- oder Reparaturarbeiten erforderlich sind.** Falscher Zusammenbau kann die Ursache für elektrische Schläge oder Feuer sein.
11. **Um die Gefahr von elektrischen Schlägen auszuschließen, müssen Sie das Ladegerät stets vom Stromnetz trennen, bevor Sie mit Wartungs- oder Reinigungsarbeiten beginnen.**
12. **Das Ladegerät sollte nicht von kleinen Kindern oder gebrechlichen Personen ohne Beaufsichtigung benutzt werden.**
13. **Kleine Kinder sollten beaufsichtigt werden, um sicherzugehen, daß sie nicht mit dem Ladegerät spielen.**
14. **Falls die Betriebszeit beträchtlich kürzer geworden ist, stellen Sie den Betrieb sofort ein.** Anderenfalls besteht die Gefahr von Überhitzung, möglichen Verbrennungen und sogar einer Explosion.
15. **Falls Elektrolyt in Ihre Augen gelangt, waschen Sie sie mit sauberem Wasser aus, und begeben Sie sich unverzüglich in ärztliche Behandlung.** Anderenfalls können Sie Ihre Sehkraft verlieren.

ZUSÄTZLICHE SICHERHEITSGESAMTREGELN FÜR LADEGERÄT UND AKKU

1. Laden Sie den Akku nicht bei Temperaturen unter 10°C oder über 40°C.
2. Schließen Sie das Ladegerät nicht an einen Spartransformator, Generator oder eine Gleichstrom-Steckdose an.
3. Achten Sie darauf, daß die Lüftungsöffnungen des Ladegerätes durch nichts verdeckt oder verstopft werden.
4. Die Kontakte des Akkus außerhalb der Maschine oder des Ladegerätes mit der Kontaktschutzhaube abdecken, um einen Kurzschluß durch metallische Überbrückung zu verhindern.

5. Der Akku darf nicht kurzgeschlossen werden:
 - (1) Die Kontakte dürfen nicht mit leitfähigem Material berührt werden.
 - (2) Lagern Sie den Akku nicht in einem Behälter zusammen mit anderen Metallgegenständen, wie z. B. Nägel, Schrauben, Münzen, usw.
 - (3) Setzen Sie den Akku weder Regen noch Wasser aus.

Ein Kurzschluß des Akkus verursacht starken Stromfluß und dadurch als Folge Überhitzung, die Verbrennungen sowie ein Verschmelzen des Akkus herbeiführen können.
6. Lagern Sie Werkzeug und Akku nicht an Orten, an denen die Temperatur 50°C erreicht oder übersteigt.
7. Versuchen Sie niemals, den Akku zu verbrennen, selbst wenn er stark beschädigt oder vollkommen verbraucht ist. Der Akku kann im Feuer explodieren.
8. Achten Sie darauf, daß der Akku nicht fallen gelassen, Erschütterungen oder Stößen ausgesetzt wird.
9. Laden Sie den Akku niemals innerhalb eines Kartons oder eines geschlossenen Behälters. Der Akku darf nur an einem gut belüfteten Ort geladen werden.
5. Halten Sie jegliche Körperteile sorgfältig von der Sägekette fern, während der Motor läuft. Nicht über Schulterhöhe sägen.
6. Überzeugen Sie sich, daß die Sägekette keinerlei Gegenstände berührt, bevor Sie die Sägekette einschalten.
7. Schalten Sie die Kettensäge unverzüglich aus, wenn irgendein abnormaler Zustand festgestellt wird.
8. Überprüfen Sie die Kettensäge sorgfältig, falls sie fallengelassen wurde oder gegen einen harten Gegenstand gestoßen ist.
9. Wenn die Akkusäge nicht verwendet wird, sollten sie an einem trockenen und hochgelegenen bzw. abgeschlossenen Platz außerhalb der Reichweite von Kindern aufbewahrt werden. Für Transport und Lagerung, Sägekettenschutz über Schiene und Ketten schieben.
10. Tragen Sie bei der Arbeit unbedingt eine Schutzbrille. Tragen Sie außerdem Sicherheits-Schuhwerk, eng anliegende Kleidungsstücke, Schutzhandschuhe und einen Kopfschutz.
11. Um Gefahren zu vermeiden, ist das Holz auf Fremdkörper zu untersuchen. Fremdkörper wie Nagel, Draht, Stein und loses Holz sind vor dem Sägen zu entfernen.
12. Sichern Sie das Werkstück z.B. in einem Sägebock, um ein "Wegschlagen" des Werkstückes zu vermeiden. Vorsicht vor den Abgesägten Stücken, die evtl. in Richtung Bediener geschleudert werden können.
 - (a) Nur Holz sägen, keine anderen Materialien.
 - (b) Kinder und Zuschauer fernhalten.
 - (c) Vorsicht: Auf herabfallende Äste und Zweige achten.

ZUSÄTZLICHE SICHERHEITSBESTIMMUNGEN FÜR DIE KETTENSÄGE

1. Schützen Sie die Sägekette vor Regen. Betreiben Sie die Maschine nicht an feuchten oder nassen Orten.
2. Halten Sie die Kettensäge beim Sägen fest mit beiden Händen.
3. Montieren Sie die Sägekette richtig, wie in dieser Anleitung beschrieben.
4. Beugen Sie sich beim Betrieb nicht zu weit vor. Achten Sie bei der Arbeit stets auf sicheren Stand und eine gute Balance.

BEWAHREN SIE DIESE HINWEISE SORGFÄLTIG AUF.

BEDIENUNGSHINWEISE

Laden (Abb. 2)

Beim Kauf dieser Maschine ist der Akku nicht geladen. Vor Inbetriebnahme muß der Akku geladen werden. Verwenden Sie dazu das Schnelladegerät Modell LG-124.

Schließen Sie das Schnelladegerät an das Stromnetz an. Die Ladelampe blinkt grün. Setzen Sie den Akku so in den Ladeschacht ein, daß die Plus-/Minus-Markierungen des Akkus mit den entsprechenden Markierungen am Schnelladegerät zur Deckung kommen. Schieben Sie den Akku fest in den Ladeschacht ein, bis er auf dem Boden des Schachtes aufsitzt. Beim Einsetzen des Akkus wechselt die Farbe der Ladelampe von Grün auf Rot, und der Ladevorgang beginnt. Während des Ladevorgangs leuchtet die Ladelampe. Wenn der Ladevorgang nach ca. 45 Minuten beendet ist, wechselt die Farbe der Ladelampe von Rot auf Grün. Trennen Sie das Ladegerät nach dem Ladevorgang von der Netzsteckdose.

Akkutyp	Kapazität (Ah)	Anzahl der Zellen
AP-123	2,0	10

VORSICHT:

- Das Schnelladegerät Modell LG-124 ist ausschließlich auf das Laden von Dolmar-Akkus ausgelegt. Verwenden Sie es zu keinem anderen Zweck und laden Sie keine Akkus anderer Fabrikate damit auf.
- Wenn der Akku neu ist oder über einen längeren Zeitraum nicht verwendet wurde, kann er u.U. nicht vollständig aufgeladen werden. Dies ist technisch bedingt und kein Anzeichen einer Funktionsstörung. Durch mehrmaliges Entladen und anschließendes Laden erreicht der Akku wieder seine volle Kapazität.

- Wird ein Akku unmittelbar nach dem Betrieb der Maschine oder nach längerer Lagerung an einem Ort geladen, wo er direkter Sonneneinstrahlung oder einer Wärmequelle ausgesetzt war, blinkt die Ladelampe u.U. rot. In einem solchen Fall warten Sie, bis sich der Akku ausreichend abgekühlt hat, wonach der Ladevorgang beginnt. Der Akku kühlt sich schneller ab, wenn er aus dem Schnellladegerät entfernt wird.
- Wenn die Ladelampe abwechselnd grün und rot blinkt, liegt eine Störung vor, und der Akku kann nicht geladen werden. Die Kontakte des Ladegerätes bzw. des Akkus sind u.U. mit Staub zugesezt, oder der Akku ist verbraucht bzw. beschädigt.

Montieren oder Demontieren der Sägekette

VORSICHT:

- Vergewissern Sie sich vor dem Montieren oder Demontieren der Sägekette stets, daß die Maschine ausgeschaltet und der Akku herausgenommen ist.
- Tragen Sie beim Montieren oder Demontieren der Sägekette unbedingt Arbeitshandschuhe.

Lösen Sie die Schrauben mit einem Schraubendreher. Entfernen Sie den Kettenradschutz. **(Abb. 3)**

Lösen Sie die Schraube mit dem mitgelieferten Sechskantschlüssel. Entfernen Sie die Führungsschiene. **(Abb. 4)**

Passen Sie die Sägekette über der Führungsschiene ein. Beachten Sie dabei, daß die Kettenzähne in Umlaufrichtung (Pfeil) weisen müssen. **(Abb. 5)**

Hängen Sie die Kette über das Kettenrad ein. Montieren Sie die Führungsschiene so, daß ihr konkaver Teil die Kettenspannungs-Einstellfeder berührt. **(Abb. 6)**

Ziehen Sie die Schraube an, um die Führungsschiene zu sichern. Montieren Sie den Kettenradschutz und ziehen Sie die Schrauben an, um ihn zu sichern.

Schmierung (Abb. 7)

VORSICHT:

- Vergewissern Sie sich vor dem Schmieren der Sägekette stets, daß die Maschine ausgeschaltet und der Akku herausgenommen ist.
- Verwenden Sie ausschließlich biologisch abbaubares Kettenöl. Mineralöle sind schädlich für Bäume, und Umwelt.

Schmieren Sie die gesamte Sägekette gleichmäßig vor jedem Gebrauch sowie nach Auswechseln eines vollständig entladenen Akkus gegen einen geladenen Akku.

Schalterbetätigung (Abb. 8)

VORSICHT:

Vergewissern Sie sich vor dem Einsetzen des Akkus in die Maschine stets, daß der Elektronikschalter ordnungsgemäß funktioniert und beim Loslassen in die AUS-Stellung zurückkehrt.

Um eine versehentliche Schalterbetätigung zu verhindern, ist ein Sicherheitsknopf vorgesehen.

Zum Einschalten drücken Sie zuerst den Sicherheitsknopf ein und drücken dann den Elektronikschalter. Zum Ausschalten lassen Sie den Schalter los.

Transport der Maschine (Abb. 9)

Entfernen Sie stets den Akku aus der Maschine und decken Sie die Führungsschiene mit dem Sägekettenschutz ab, bevor Sie die Maschine tragen. Bringen Sie außerdem die Akkuabdeckung am Akku an.

Verwendung

VORSICHT:

- Halten Sie bei Verwendung der Akkusäge jegliche Körperteile sorgfältig von der Sägekette fern.
- Halten Sie die Kettensäge beim Sägen fest mit beiden Händen.
- Beugen Sie sich beim Betrieb nicht zu weit vor. Achten Sie bei der Arbeit stets auf sicheren Stand und eine gute Balance.
- Äste und Holz bis max. 11,5 cm können mit der Akkusäge gesägt werden.

Bringen Sie den Schienenspitzenschutz bzw. die Stirnfläche des Gehäuses in Kontakt mit dem abzusägenden Ast, bevor Sie die Maschine einschalten. Wird der Spitzenschutz bzw. die Stirnfläche des Gehäuses nicht in Kontakt mit dem Ast gebracht, rüttelt die Führungsschiene u.U. so stark, daß Verletzungsgefahr besteht. **(Abb. 10 u. 11)**

Bringen Sie beim Absägen von dicken Ästen zunächst einen Vorschnitt von unten her an, bevor Sie den Endschnitt von oben ausführen. **(Abb. 12)**

Wird versucht, dicke Äste von unten her abzusägen, so kann sich die Sägekette im Schnitt festklemmen. Wird versucht, dicke Äste von oben her abzusägen, ohne vorher von unten her einen flachen Vorschnitt anzubringen, kann der Ast splintern. **(Abb. 13)**

Wenn sich das Holz nicht in einem einzigen Arbeitsgang durchsägen läßt:

Setzen Sie das Sägen unter leichter Druckausübung auf den Griff fort und ziehen Sie die Sägekette geringfügig zurück; dann setzen Sie die Zacke etwas tiefer an und beenden Sie den Schnitt durch Anheben des Griffes. **(Abb. 14)**

Einstellen der Kettenspannung (Abb. 15 u. 16)

Nach längerem Gebrauch kann die Sägekette locker werden. Überprüfen Sie die Kettenspannung von Zeit zu Zeit, bevor Sie die Maschine in Betrieb setzen. Zuerst Akku entfernen! Halten Sie die Sägekette dazu in der Mitte der Führungsschiene und ziehen Sie hoch. Der Abstand zwischen Führungsschiene und Kette der Sägekette sollte ca. 2 – 3 mm betragen. Falls der Abstand nicht 2 – 3 mm beträgt, lösen Sie die Schraube geringfügig, mit der die Führungsschiene befestigt ist. Dadurch wird der Abstand von der Kettenspannungs-Einstellfeder automatisch auf ca. 2 – 3 mm eingestellt. Nachdem Sie sich überzeugt haben, daß der Abstand ca. 2 – 3 mm beträgt, ziehen Sie die Schraube wieder fest an.

WARTUNG

VORSICHT:

- Vor Wartungsarbeiten an der Maschine vergewissern Sie sich, daß die Akku-Sägekette ausgeschaltet und der Akku aus dem Gerät entfernt ist.
- Tragen Sie beim Ausführen von Überprüfungs- und Instandhaltungsarbeiten unbedingt Arbeitshandschuhe.
- Bitte lassen Sie Ihre Sägekette von einer autorisierten Dolmar-Originalersatzteilen schärfen, oder ersetzen Sie sie durch eine neue, falls sie nicht korrekt schneidet.

Reinigen der Führungsschiene (Abb. 17)

Späne und Sägemehl sammeln sich in der Nut der Führungsschiene an, so daß sie zugesetzt wird. Achten Sie beim Schärfen oder Auswechseln der Sägekette stets darauf, Späne und Sägemehl aus dieser Nut zu entfernen.

Lagerung der Maschine

Reinigen Sie die Maschine vor der Lagerung. Entfernen Sie die Kettenabdeckung und reinigen Sie die Maschine gründlich von Spänen und Sägemehl. Lassen Sie die Maschine nach der Reinigung eine Weile im Leerlauf laufen. Entfernen Sie dann den Akku aus der Maschine und schmieren Sie die Sägekette und die Führungskette.

Um die Sicherheit und Zuverlässigkeit dieses Gerätes zu gewährleisten, sollten Reparatur-, Wartungs-, und Einstellarbeiten nur von Dolmar autorisierten Werkstätten oder Kundendienstzentren unter ausschließlicher Verwendung von Dolmar-Originalersatzteilen ausgeführt werden.

ZUBEHÖR

VORSICHT:

- Die folgenden Zubehörteile oder Vorrichtungen werden für den Einsatz mit der in dieser Anleitung beschriebenen Dolmar-Maschine empfohlen. Die Verwendung anderer Zubehörteile oder Vorrichtungen kann eine Verletzungsgefahr darstellen. Verwenden Sie Zubehörteile oder Vorrichtungen nur für ihren vorgesehenen Zweck.

Wenn Sie weitere Einzelheiten bezüglich dieser Zubehörteile benötigen, wenden Sie sich bitte an Ihre Dolmar-Kundendienststelle.

- Sechskantschlüssel
- Sägekettenschutz
- Rundfeile
- Sägekettenöl
- Verschiedene Original-Dolmar-Akkus und -Ladegeräte

Visione generale

1 Pulsante	13 Molla di regolazione tensione catena	23 La forza di taglio allontana la motosega dall'operatore.
2 Cartuccia batteria	14 Olio catena	24 Cuneo
3 Spia di carica	15 Catena	25 Taglio poco profondo dal basso
4 Caricatore delle batterie	16 Bottone di sblocco	26 Finire il taglio dall'alto
5 Vite	17 Interruttore	27 La motosega rimane incastrata.
6 Riparo rocchetto	18 Fodero	28 Il ramo si spacca.
7 Chiave esagonale	19 Coperchio batteria	29 Cacciavite
8 Bullone	20 Riparo punta	
9 Barra di scorrimento	21 La forza di taglio spinge la motosega verso l'operatore.	
10 Dente di taglio	22 Faccia frontale alloggiamento	
11 Direzione di rotazione		
12 Rocchetto		

DATI TECNICI

Modello	AS-1212/LG/LGE
Velocità catena al minuto	2,7 m/s
Lunghezza effettiva di taglio	115 mm
Tipo di catena	25P
Passo catena	1/4"
Numero di maglie	42
Peso netto	2,2 kg
Tensione nominale	C.c. 12 V

- Per il nostro programma di ricerca e sviluppo continui, i dati tecnici sono soggetti a modifiche senza preavviso.
- Nota: I dati tecnici potrebbero differire a seconda del paese di destinazione del modello.

Consigli per la sicurezza

Per la vostra sicurezza, riferitevi alle accluse istruzioni per la sicurezza.

ISTRUZIONI DI SICUREZZA IMPORTANTI PER CARICATORI E BATTERIE A CARTUCCIA

1. **RISPETTARE QUESTE ISTRUZIONI** — Questo manuale contiene importanti regole di sicurezza e di lavorazione per il caricatore delle batterie.
2. Prima di usare il caricatore delle batterie, leggere tutte le istruzioni e precauzioni scritte (1) sul caricatore delle batterie (2) sulle batterie e (3) utensili che usano le batterie.
3. **ATTENZIONE** — Per ridurre il rischio di ferirsi, caricare solamente batterie ricaricabili della Dolmar. Altri tipi di batterie possono scoppiare causando danni e ferite alle persone.
4. Non esporre il caricatore alla pioggia oppure alla neve.
5. L'uso di un attacco non raccomandato o venduto dal costruttore del caricatore di batterie può diventare la causa d'incendio, di scosse elettriche, oppure di ferite alle persone.
6. Per ridurre il rischio di danneggiare il cavo elettrico o la spina, quando si vuole staccare il cavo dalla presa sul muro non tirare per il cavo ma prendere direttamente la spina in mano.
7. Assicurarsi che il cavo è posato in modo da non essere pestato, attorcigliato oppure messo in condizioni di essere danneggiato oppure stirato.

8. Non mettere in operazione il caricatore delle batterie con un cavo o una spina in cattive condizioni. Sostituire immediatamente.
9. Non mettere in operazione un caricatore quando ha ricevuto una botta, quando è stato fatto cadere, oppure è stato danneggiato in una maniera qualsiasi. Portatelo subito ad un negozio di fiducia per le riparazioni del caso.
10. Non smontare il caricatore o le batterie a cartuccia. Portatelo da un negozio di fiducia se è necessario fare qualche riparazione. Un rimontaggio sbagliato può causare scosse elettriche oppure un incendio.
11. Per ridurre il rischio di scosse elettriche, staccare il caricatore dalla presa di corrente prima di tentare qualsiasi lavoro di manutenzione oppure di pulizia. Il rischio non sarebbe ridotto col solo distacco dell'interruttore.
12. Il caricabatteria non deve essere usato dai bambini o dagli infermi senza supervisione.
13. I bambini devono essere sorvegliati perché non giochino con il caricabatteria.
14. Se il tempo di funzionamento diventa eccessivamente corto, smettere immediatamente di usare l'utensile, perché potrebbe surriscaldarsi con pericolo di bruciature ed anche di esplosione.
15. Se l'elettrolito dovesse finire negli occhi, sciacquarli con acqua pulita e rivolgersi immediatamente a un medico. C'è pericolo di perdita della vista.

ULTERIORI REGOLE DI SICUREZZA PER CARICATORI E BATTERIE A CARTUCCIA

1. Non caricare le batterie a cartuccia quando la temperatura è sotto i 10°C oppure sopra i 40°C.
2. Non tentare di usare un trasformatore per aumentare la tensione, un generatore oppure qualsiasi sorgente di corrente diretta (DC).
3. Non lasciar coprire oppure intasare le aperture del caricatore.
4. Quando la capsula delle batterie non si usa, coprite sempre i poli della batteria con il copribatteria.

5. **Non cortocircuitare la cartuccia batteria:**
 - (1) Non toccare i terminali con un materiale conduttivo.
 - (2) Evitare di conservare la cartuccia batteria in un contenitore insieme con altri oggetti metallici, come chiodi, monete, ecc.
 - (3) Non esporre la cartuccia batteria all'acqua o alla pioggia.
Un cortocircuito della batteria può causare un grande flusso di corrente, surriscaldamento, possibili bruciature ed anche un guasto.
6. Non immagazzinare l'utensile e le batterie a cartuccia in luoghi dove la temperatura può raggiungere oppure superare i 50°.
7. Non buttare nel fuoco le batterie a cartuccia anche se sono estremamente danneggiate oppure completamente fuori uso. Le batterie potrebbero esplodere nel fuoco.
8. Stare attenti a non far cadere, agitare o sbattere la batteria.
9. Non caricare la batteria dentro una scatola o un qualsiasi altro contenitore. Durante la carica, la batteria deve trovarsi in un luogo ben ventilato.
8. Ispezionare attentamente la motosega se è caduta o se ha sbattuto contro qualcosa di duro.
9. Quando non la si usa, riporre sempre la motosega in un posto asciutto e alto o chiuso a chiave, fuori dalla portata dei bambini. Rimetterla anche nel fodero (coperchio della catena).
10. Usare occhiali di protezione. Usare anche scarpe di sicurezza, abiti aderenti, guanti di protezione e il casco.
11. Prima di eseguire un taglio, togliere lo sporco, le pietre, la corteccia scollata, i chiodi, i ganci e i fili di ferro dai rami.
12. Fissare il pezzo da tagliare in modo che non si muova improvvisamente durante il lavoro. Stare attenti ai pezzi tagliati, perché potrebbero colpire l'operatore.
13. Per evitare che la motosega rimanga incastrata nel taglio, supportare il pezzo da tagliare vicino al taglio usando dei blocchi od altri sostegni adatti.

CONSERVATE QUESTE ISTRUZIONI.

ISTRUZIONI PER L'USO

Installazione o rimozione della cartuccia batteria (Fig. 1)

- Spegnere sempre la motosega prima di inserire o di rimuovere la cartuccia batteria.
- Per rimuovere la cartuccia batteria, estrarla dalla motosega schiacciando i pulsanti su entrambi i lati della cartuccia.
- Per inserire la cartuccia batteria, allineare la linguetta sulla cartuccia batteria con la scanalatura dell'alloggiamento e spingerla in posizione. Inserirla sempre completamente finché si blocca in posizione con un piccolo scatto. In caso contrario, potrebbe cadere fuori dalla motosega ferendo l'operatore o chi è vicino.
- Non usare forza per inserire la cartuccia batteria. Se non scorre dentro facilmente, vuol dire che non è inserita correttamente.

REGOLE ADDIZIONALI DI SICUREZZA PER LA MOTOSEGA

1. Non esporre la motosega alla pioggia. Non usarla in luoghi umidi o bagnati.
2. Tenere saldamente la motosega con entrambe le mani mentre il motore gira.
3. Installare correttamente la catena secondo le istruzioni di questo manuale.
4. Non cercare di raggiungere parti lontane. Mantenere sempre i piedi appoggiati saldamente restando bilanciati.
5. Tenere tutte le parti del corpo lontane dalla motosega quando il motore gira.
6. Prima di avviare il motore, accertarsi che la motosega non tocchi alcun oggetto.
7. Spegnere immediatamente la motosega se si nota qualcosa di anormale durante il funzionamento.

Carica (Fig. 2)

Collegare la spina del caricatore delle batterie ad una presa di corrente con la tensione nominale corretta. La spia di carica lampeggia in verde. Inserire la cartuccia batteria in modo che i suoi terminali più e meno si trovino sullo stesso lato dei segni rispettivi sul caricatore delle batterie. Inserire completamente la cartuccia batteria nel recettacolo, in modo che si trovi adagiata sul fondo del recettacolo del caricatore. Quando si inserisce la cartuccia batteria, il colore della spia di carica cambia da verde a rosso e la carica comincia. La spia di carica rimane accesa continuamente durante la carica. Quando la carica si completa dopo 45 minuti circa, il colore della spia di carica cambia da rosso a verde.

Dopo la carica, staccare la spina del cavo di alimentazione del caricatore dalla presa di corrente.

Tipo di batteria	Capacità (Ah)	Numero di celle
AP-123	2,0	10

ATTENZIONE:

- Il caricatore delle batterie serve a caricare la cartuccia batteria Dolmar. Non usarlo per altri scopi o per caricare le batterie di un altro fabbricante.
- Quando si carica una nuova cartuccia batteria o una cartuccia batteria che non è stata usata per un lungo periodo di tempo, essa potrebbe non accettare una carica piena. Ciò è normale e non indica un difetto. La cartuccia batteria può essere ricaricata completamente dopo che è stata scaricata completamente e ricaricata un paio di volte.

- Se si ricarica la cartuccia batteria di una motosega appena usata, oppure una cartuccia batteria che è rimasta esposta per un lungo periodo di tempo alla luce diretta del sole o al calore, la spia di carica potrebbe lampeggiare in rosso. In tal caso, aspettare qualche tempo. La carica comincia dopo che la cartuccia batteria si è raffreddata. La cartuccia batteria si raffredda più rapidamente se la si toglie dal caricatore delle batterie.
- Se la spia di carica lampeggia alternativamente in rosso e in verde, vuol dire che c'è un problema e la carica non è possibile. I terminali della cartuccia batteria sono intasati di polvere, oppure la cartuccia batteria è consumata o danneggiata.

Installazione o rimozione della catena

ATTENZIONE:

- Accertarsi sempre che la motosega sia spenta e che la cartuccia batteria sia stata rimossa prima di installare o di rimuovere la catena.
- Indossare sempre i guanti per installare o rimuovere la catena.

Allentare le viti con un cacciavite. Rimuovere il riparo del rocchetto. **(Fig. 3)**

Allentare il bullone con la chiave esagonale in dotazione. Rimuovere la barra di scorrimento. **(Fig. 4)**

Montare la catena sulla barra di scorrimento. Tener presente che i denti di taglio devono essere rivolti nella direzione di rotazione (freccia). **(Fig. 5)**

Montare la catena sulla guida. Installare la guida di scorrimento in modo che la sua parte concava faccia contatto con la molla di regolazione della tensione della catena. **(Fig. 6)**

Stringere il bullone per fissare la guida di scorrimento. Installare il riparo del rocchetto e stringere le viti per fissarlo.

Lubrificazione (Fig. 7)

ATTENZIONE:

- Accertarsi sempre che la motosega sia spenta e che la cartuccia batteria sia stata rimossa prima di lubrificare la catena.
- Per potare gli alberi da frutto, usare sempre olio vegetale. L'olio minerale potrebbe danneggiare l'albero.

Lubrificare ogni volta uniformemente l'intera catena prima di usare la motosega. Lubrificarla anche quando si sostituisce una cartuccia batteria completamente scarica con una carica.

Funzionamento dell'interruttore (Fig. 8)

ATTENZIONE:

Prima di inserire la cartuccia batteria nella motosega, accertarsi sempre che l'interruttore funzioni correttamente e che ritorni sulla posizione "OFF" quando lo si rilascia.

Per evitare che l'interruttore venga schiacciato accidentalmente, la motosega è dotata del bottone di sblocco.

Per avviarla, spingere il bottone di sblocco e schiacciare l'interruttore. Rilasciare l'interruttore per fermarla.

Trasporto della motosega (Fig. 9)

Prima di trasportare la motosega, rimuovere sempre la cartuccia batteria e coprire la barra di scorrimento con il fodero. Coprire inoltre la cartuccia batteria con il coperchio della batteria.

Potatura degli alberi

ATTENZIONE:

- Tenere tutte le parti del corpo lontane dalla motosega quando il motore gira.
- Tenere saldamente la motosega con entrambe le mani mentre il motore gira.
- Non cercare di raggiungere parti lontane. Mantenere sempre i piedi appoggiati saldamente restando bilanciati.

Mettere il riparo della punta/faccia frontale dell'alloggiamento a contatto con il ramo da tagliare prima di avviare il motore. Se si comincia a tagliare senza mettere il riparo della punta/faccia frontale dell'alloggiamento a contatto con il ramo, la barra di scorrimento potrebbe scivolare ferendo l'operatore. **(Fig. 10 e 11)**

Per tagliare i rami grossi, fare prima un taglio poco profondo dal basso e finire poi di tagliare dall'alto. **(Fig. 12)**

Se si cerca di tagliare i rami grossi dal basso, il ramo potrebbe abbassarsi incastrando la catena nel taglio. Se si cerca di tagliare i rami grossi dall'alto senza fare prima un taglio poco profondo dal basso, il ramo potrebbe spaccarsi. **(Fig. 13)**

Se non è possibile tagliare con un solo movimento:

- Esercitare una leggera pressione sul manico, continuare a segare e
- tirare leggermente indietro la motosega,
- inserire il cuneo un po' più in basso e
- finire di tagliare alzando il manico. **(Fig. 14)**

Regolazione della tensione della catena (Fig. 15 e 16)

La catena potrebbe allentarsi dopo molte ore d'uso. Controllare di quando in quando la tensione della catena prima dell'uso. Prendere la catena a metà della guida di scorrimento e sollevarla. Il gioco tra la guida di scorrimento e il nastro della catena deve essere di 2 – 3 mm circa. Se il gioco non è di 2 – 3 mm circa, allentare leggermente il bullone che fissa la guida di scorrimento. Il gioco viene regolato automaticamente a 2 – 3 mm circa dalla molla di regolazione della tensione della catena. Stringere poi saldamente il bullone dopo aver controllato che il gioco è di 2 – 3 mm circa.

MANUTENZIONE

ATTENZIONE:

- Prima di effettuare ogni tipo di lavoro sull'utensile, assicuratevi sempre che esso sia spento e che la batteria sia rimossa.
- Indossare sempre i guanti prima di eseguire qualsiasi ispezione o manutenzione.
- Fare affilare la motosega presso un Centro di Assistenza Dolmar autorizzato, oppure sostituirla con una nuova se essa non taglia più correttamente.

Pulizia della barra di scorrimento (Fig. 17)

Le bave e la segatura si accumulano nella cava della barra di scorrimento, intasandola e ostacolando il flusso dell'olio. Togliere sempre le bave e la segatura dopo aver affilato o rimontato la catena.

Immagazzinaggio

Pulire la motosega prima di immagazzinarla. Togliere tutte le bave e la segatura dopo aver rimosso il coperchio della catena. Dopo aver pulito la motosega, farla girare a vuoto. Rimuovere poi la cartuccia batteria dalla motosega e lubrificare la catena e la barra di scorrimento.

Per mantenere la sicurezza e l'affidabilità del prodotto, le riparazioni, la manutenzione o le regolazioni dovrebbero essere eseguite da un centro di assistenza Dolmar autorizzato.

ACCESSORI

ATTENZIONE:

- Questi accessori o attrezzi sono consigliati per l'uso con l'utensile Dolmar specificato in questo manuale. L'impiego di altri accessori o attrezzi può costituire un rischio di lesioni alle persone. Usare gli accessori soltanto per il loro scopo prefissato.

Per ottenere maggiori dettagli su questi accessori, rivolgersi a un Centro Assistenza Dolmar autorizzato.

- Chiave esagonale
- Fodero
- Lima rotonda
- Olio catena
- Vari tipi di batterie e caricatori genuini Dolmar

Explicación de los dibujos

1 Botón	13 Resorte de ajuste de la tensión de cadena	22 Parte delantera de la carcasa
2 Cartucho de batería	14 Aceite de cadena	23 La fuerza de corte empuja la sierra en dirección opuesta al operario.
3 Luz de carga	15 Cadena de la sierra	24 Dientes
4 Cargador	16 Botón de seguro	25 Corte poco profundo por abajo
5 Tornillo	17 Gatillo interruptor	26 Corte final por arriba
6 Protector de piñón	18 Funda (cubierta de la cadena)	27 La sierra será oprimida.
7 Llave hexagonal	19 Tapa de la batería	28 La rama se astillará.
8 Perno	20 Protector de la punta de la sierra	29 Destornillador
9 Placa de guía	21 La fuerza de corte empuja la sierra hacia el operario.	
10 Cuchilla		
11 Dirección de giro		
12 Piñón		

ESPECIFICACIONES

Modelo	AS-1212/LG/LGE
Velocidad de la sierra por minuto	2,7m/s
Longitud efectiva de corte	115 mm
Tipo de cadena de sierra	25AP
Paso de la cadena de sierra	1/4" (pulgadas)
N.º de eslabones de arrastre	42
Peso neto	2,2 kg
Tensión nominal	12 V CC

- Debido a un programa continuo de investigación y desarrollo, las especificaciones aquí dadas están sujetas a cambios sin previo aviso.
- Nota: Las especificaciones pueden ser diferentes de país a país.

Sugerencias de seguridad

Para su propia seguridad, consulte las instrucciones de seguridad incluidas.

INSTRUCCIONES DE SEGURIDAD IMPORTANTES PARA EL CARGADOR Y EL CARTUCHO DE BATERIAS

- 1. GUARDE ESTAS INSTRUCCIONES** — Este manual contiene instrucciones de operación y de seguridad importantes para el cargador de baterías.
- 2. Antes de utilizar el cargador de baterías, lea todas las instrucciones y las indicaciones de precaución (1) del cargador de baterías, (2) de baterías, y (3) del producto que con el que se va a utilizar baterías.**
- 3. PRECAUCIÓN** — Para reducir el peligro de que se produzcan heridas personales, cargue solamente las baterías recargables del tipo Dolmar. Otros tipos de baterías pueden quemarse pudiendo provocar heridas personales y daños.
- 4. No exponga el cargador a la lluvia o al agua.**
- 5. La utilización de un acoplamiento no recomendado o no vendido por un fabricante de cargadores de baterías puede resultar provocar un incendio, una descarga eléctrica o heridas personales.**
- 6. Para reducir el peligro de que el enchufe y el cable reciban daños, tire del enchufe y no del cable cuando desconecte el cargador.**
- 7. Asegúrese de que el cable esté localizado de manera que no se tropiece con él ni se pise, y que no esté sujeto a tirones ni otros tipos de daños.**

- 8. No opere el cargador que tenga el cable o el enchufe dañados; reemplácelos inmediatamente.**
- 9. No opere el cargador en el caso de que haya recibido un golpe, se haya caído o esté defectuoso; llévelo a un lugar donde se le pueda practicar un servicio de mantenimiento cualificado.**
- 10. No desmonte el cargador o el cartucho de baterías; cuando se requiera la reparación llévelo a un lugar donde se le pueda practicar un servicio de mantenimiento cualificado. Un montaje incorrecto puede resultar en que se produzca un incendio o una descarga eléctrica.**
- 11. Para reducir el peligro de que se produzca una descarga eléctrica, desenchufe el cargador de la toma de alimentación antes de efectuar el servicio de mantenimiento o la limpieza. El desconectar los controles no reducirá este peligro.**
- 12. El cargador de baterías no ha sido pensado para ser usado por niños ni menores sin ser supervisados.**
- 13. Los padres deberán supervisar a sus hijos pequeños para asegurarse de que no juegan con el cargador de baterías.**
- 14. Si el tiempo de funcionamiento se acorta excesivamente, pare la operación inmediatamente. Podría resultar en un riesgo de recalentamiento, posibles quemaduras e incluso una explosión.**
- 15. Si entra electrolito en sus ojos, aclárelos con agua limpia y solicite atención médica enseguida. Podría resultar en la pérdida de la vista.**

NORMAS DE SEGURIDAD ADICIONALES PARA EL CARGADOR Y EL CARTUCHO DE BATERIAS

- 1. No cargue el cartucho de baterías cuando la temperatura esté por DEBAJO de los 10°C o por ENCIMA de los 40°C.**
- 2. No utilice un transformador elevador de tensión, un generador con motor o un receptáculo de alimentación de CC.**
- 3. No cubra ni obstruya las rejillas de ventilación del cargador con ningún objeto.**
- 4. Cubra siempre los bornes de baterías con la tapa correspondiente cuando no se esté usando el cartucho de baterías.**

5. **No cortocircuite el cartucho de baterías:**
 - (1) No toque los terminales con ningún material conductor.
 - (2) Evite guardar el cartucho de baterías en un recipiente que contenga otros objetos de metal tales como clavos, monedas, etc.
 - (3) No esponga el cartucho de baterías al agua o a la lluvia.

Un cortocircuito de baterías puede producir una gran circulación de corriente, un sobrecalentamiento, posibles quemaduras o incluso una rotura.
6. No almacene la herramienta ni el cartucho de baterías en lugares donde la temperatura pueda alcanzar o exceder los 50°C.
7. Nunca queme el cartucho de baterías incluso en el caso de que esté dañado seriamente, ni cuando esté gastado. El cartucho de baterías podrá explotar cuando se tire al fuego.
8. Tenga cuidado para no dejar caer, sacudir o golpear la batería.
9. No la cargue en el interior de una caja o recipiente de cualquier clase. La batería deberá ponerse en un lugar bien ventilado durante la carga.

NORMAS DE SEGURIDAD ADICIONALES PARA LA SIERRA DE CADENA

1. No esponga la sierra de cadena a la lluvia. No la utilice en lugares húmedos o mojados.
2. Sujete la sierra firmemente con ambas manos cuando el motor esté en marcha.
3. Instale la cadena debidamente de acuerdo a las instrucciones de este manual de instrucción.
4. No se acerque demasiado. Pise siempre sobre suelo firme y mantenga un buen equilibrio.
5. Mantenga todas las partes del cuerpo alejadas de la cadena cuando el motor esté en marcha.
6. Antes de poner en marcha la sierra, asegúrese de que la cadena no esté tocando nada.
7. Si nota algo anormal en la operación pare inmediatamente la sierra.

Carga (Fig. 2)

Enchufe el cargador en una toma de corriente alterna (CA) de tensión apropiada. La luz de carga parpadeará en color verde. Inserte el cartucho de batería de forma que los bornes positivo y negativo del cartucho de batería correspondan con las marcas respectivas que hay en el cargador. Inserte el cartucho completamente en la abertura de forma que asiente en la base de la abertura del cargador. Cuando el cartucho esté insertado, el color de la luz de carga cambiará de verde a rojo y la carga comenzará. La luz de carga permanecerá encendida durante la carga. Cuando se haya completado la carga (45 minutos aprox.), el color de la luz de carga cambiará de rojo a verde.

Después de la carga, desenchufe el cargador de la toma de corriente.

Tipo de batería	Capacidad (Ah)	Número de celdas
AP-123	2,0	10

PRECAUCIÓN:

- El cargador es para cargar el cartucho de batería Dolmar. No lo utilice nunca con otro propósito o para cargar baterías de otros fabricantes.
- Cuando cargue un cartucho de batería nuevo o uno que no haya sido utilizado durante mucho tiempo, será posible que no pueda cargarse completamente. Esta es una condición normal y no indica ningún tipo de problema. Podrá volver a cargarlo completamente después de descargarlo en su totalidad y volverlo a cargar unas cuantas veces.
- Si carga un cartucho de batería que acaba de retirar de una herramienta que justo acaba de operar o uno que ha estado expuesto a la luz solar directa o calor durante mucho tiempo, la luz de carga podrá parpadear en color rojo. En este caso, espere algún tiempo. La carga comenzará una vez que el cartucho se enfríe. Éste se enfriará antes si lo saca del cargador.

8. Inspeccione cuidadosamente la sierra en caso de que la haya dejado caer o la haya golpeado contra algo duro.
9. Cuando no utilice la sierra, deberá guardarla en un lugar seco y alto, o bajo candado —fuera del alcance de los niños—. Cuando la guarde, póngale siempre la funda (cubierta de la cadena).
10. Utilice gafas de seguridad. Utilice también calzado de seguridad; ropa ajustada; guantes de protección; y protección para la cabeza.
11. Antes de cortar, retire del árbol la suciedad, piedras, cortezas sueltas, clavos, grapas y alambres.
12. Sujete la pieza que va a cortar de forma que cuando la corte no se mueva repentinamente. Tenga cuidado con las piezas cortadas, podrían golpearle.
13. Para evitar que la sierra sea oprimida por el corte, apoye la pieza a cortar sobre un bloque o similar en un punto cercano al corte.

GUARDE ESTAS INSTRUCCIONES.

INSTRUCCIONES PARA EL FUNCIONAMIENTO

Instalación o extracción del cartucho de batería (Fig. 1)

- Apague siempre la herramienta antes de insertar o retirar el cartucho de batería.
- Para retirar el cartucho de batería, sáquelo de la herramienta a la vez que presiona los botones a ambos costados del cartucho.
- Para insertar el cartucho de batería, alinee la pestaña del cartucho de batería con la acanaladura del alojamiento y deslícelo hacia adentro. Insértelo siempre a tope de manera que quede fijo en el interior produciendo un ligero chasquido. En caso contrario, podría salirse accidentalmente de la herramienta, pudiéndole causar heridas a usted o a alguien que se encuentre cerca de usted.
- No emplee fuerza para insertar el cartucho de batería. Si no puede deslizarse fácilmente será porque no lo está insertando debidamente.

- Si la luz de carga parpadea alternativamente en verde y rojo, existirá algún problema y no se podrá cargar. Los bornes en el cargador o en el cartucho de batería estarán sucios de polvo o el cartucho podrá estar inservible o estropeado.

Instalación o extracción de la cadena de la sierra

PRECAUCIÓN:

- Asegúrese siempre de que la herramienta esté apagada y que el cartucho de batería haya sido retirado antes de instalar o extraer la cadena de la sierra.
- Póngase siempre guantes cuando vaya a instalar o extraer la cadena de la sierra.

Afloje los tornillos con un destornillador. Retire el protector del piñón. **(Fig. 3)**

Afloje el perno con la llave hexagonal suministrada. Retire la placa de guía. **(Fig. 4)**

Coloque la cadena sobre la placa de guía. Tenga en cuenta que los dientes de la cadena deberán quedar mirando en la dirección de giro (indicada por la flecha). **(Fig. 5)**

Coloque la cadena sobre el piñón. Instale la placa de guía de forma que la parte cóncava toque el resorte de ajuste de la tensión de cadena. **(Fig. 6)**

Apriete el perno para asegurar la placa de guía. Instale el protector del piñón y apriete los tornillos para asegurarlo.

Lubricación (Fig. 7)

PRECAUCIÓN:

- Cerciórese siempre de que la herramienta esté apagada y de haber retirado el cartucho de batería antes de lubricar la cadena.
- Emplee siempre aceite vegetal cuando pade árboles frutales. El aceite mineral puede dañar los árboles.

Lubrice toda la cadena uniformemente cada vez que la vaya a utilizar. Lubríquela también siempre que reemplace un cartucho de batería totalmente descargado por otro cargado.

Accionamiento del interruptor (Fig. 8)

PRECAUCIÓN:

Antes de insertar el cartucho de batería en la herramienta, compruebe siempre para ver si el interruptor de gatillo se acciona correctamente y regresa a la posición de desconexión "OFF" cuando se libera.

Para evitar que el interruptor de gatillo sea apretado accidentalmente se ha provisto un botón de seguridad.

Para poner en marcha la herramienta, meta el botón de seguridad y apriete el interruptor de gatillo. Para parar la herramienta suelte el gatillo.

Para transportar la herramienta (Fig. 9)

Retire siempre el cartucho de batería de la herramienta y cubra la placa de guía con la funda antes de transportar la herramienta. Tape también el cartucho de batería con la tapa de batería.

Podado de árboles

PRECAUCIÓN:

- Mantenga todas las partes del cuerpo alejadas de la cadena cuando el motor esté en marcha.
- Sujete la sierra firmemente con ambas manos cuando el motor esté en marcha.
- No se acerque demasiado. Pise siempre sobre suelo firme y mantenga un buen equilibrio.

Ponga el protector de la punta de la sierra/parte delantera de la carcasa en contacto con la rama que va a cortar antes de poner herramienta en marcha. Si corta sin que el protector de la punta de la sierra/parte delantera de la carcasa esté en contacto con la rama, la placa de guía podría bambolear y producir heridas al operario. **(Fig. 10 y 11)**

Cuando vaya a cortar ramas gruesas, haga un corte poco profundo por abajo y luego realice el corte final por arriba. **(Fig. 12)**

Si intenta cortar ramas gruesas por abajo, la presión de la rama podrá oprimir la cadena. Si intenta cortar ramas gruesas por arriba sin haber hecho antes un ligero corte por debajo, la rama se astillará. **(Fig. 13)**

Si no puede cortar de una sola pasada un trozo de madera:

- Aplique una ligera presión sobre la empuñadura, continúe serrando y
- desplace la sierra un poco hacia atrás; luego
- ponga los dientes un poco más abajo y
- Termine el corte elevando el mango. **(Fig. 14)**

Ajuste de la tensión de la cadena (Fig. 15 y 16)

La cadena de la sierra podrá aflojarse después de muchas horas de utilización. Compruebe su tensión de vez en cuando antes de utilizarla. Coja la cadena por la mitad de la placa de guía y elévela. La holgura entre la placa de guía y la banda tensora de la cadena deberá ser de 2 a 3 mm aprox. Si la holgura no es de 2 a 3 mm aproximadamente, afloje un poco el perno que sujeta la placa de guía. La holgura se ajustará automáticamente entre 2 a 3 mm aproximadamente por medio del resorte de ajuste de la tensión de cadena. Luego vuelva a apretar firmemente el perno después de asegurarse de que la holgura sea de 2 a 3 mm aproximadamente.

MANTENIMIENTO

PRECAUCIÓN:

- Asegúrese siempre de que la herramienta está apagada y de que el cartucho de baterías está quitado antes de realizar cualquier trabajo en la herramienta.
- Póngase guantes siempre que vaya a realizar cualquier trabajo de inspección o mantenimiento.
- Si la cadena de la sierra no corta bien, le rogamos que la lleve a un Centro de servicio autorizado de Dolmar para que se la afilen o que la reemplace con otra nueva.

Limpieza de la placa de guía (Fig. 17)

En la acanaladura de la placa de guía se acumularán virutas y serrín, obstruyéndola e impidiendo que fluya el aceite. Cuando afile o cambie la cadena, limpie siempre las virutas y el serrín.

Almacenamiento de la herramienta

Limpie la herramienta antes de guardarla. Retire las virutas y serrín de la herramienta antes de colocar la cubierta de la cadena. Después de haber limpiado la herramienta, póngala en marcha en vacío. Luego quite el cartucho de batería de la máquina y lubrique la cadena y la placa de guía.

Para mantener la seguridad y fiabilidad del producto, las reparaciones, el mantenimiento y los ajustes deberán ser realizados por un Centro de Servicio Autorizado de Dolmar.

ACCESORIOS

PRECAUCIÓN:

- Estos accesorios o aditamentos están recomendados para su uso con la herramienta Dolmar especificada en este manual. El uso de cualquier otro accesorio o aditamento puede suponer un riesgo de lesiones personales. Utilice el accesorio o aditamento exclusivamente para su uso declarado.

Si necesita información más detallada sobre estos accesorios, consulte con su centro local de servicio de Dolmar.

- Llave hexagonal
- Funda
- Lima redonda
- Aceite de cadena
- Diferentes tipos de baterías y cargadores genuinos de Dolmar

Explicação geral

1 Botão	12 Roda dentada	21 A força do corte empurra a electroserra para o operador.
2 Bateria	13 Mola de regulação da tensão da corrente	22 Parte frontal da caixa
3 Luz de carga	14 Óleo de lubrificação para corrente	23 A força do corte afasta a electroserra do operador.
4 Carregador	15 Corrente da electroserra	24 Ponta
5 Parafuso	16 Botão de bloqueio	25 Corte inferior pouco profundo
6 Resguardo da roda dentada	17 Gatilho do interruptor	26 Corte final de cima
7 Chave hexagonal	18 Capa (Cobertura da corrente)	27 A electroserra ficará presa.
8 Perno	19 Tampa da bateria	28 O ramo estilhaça-se.
9 Espada	20 Resguardo da ponta	29 Chave de parafusos
10 Aresta de corte		
11 Direcção do movimento		

ESPECIFICAÇÕES

Modelo	AS-1212/LG/LGE
Velocidade da corrente por minuto	2,7 m/s
Comprimento efectivo do corte	115 mm
Tipo da corrente	25AP
Passo da corrente	1/4"
Número de elos motor	42
Peso líquido	2,2 kg
Voltagem nominal	C.C. 12 V

- Devido a um programa contínuo de pesquisa e desenvolvimento, estas especificações podem ser alteradas sem aviso prévio.
- Nota: As especificações podem variar de país para país.

Conselhos de segurança

Para sua segurança, leia as instruções anexas.

INSTRUÇÕES DE SEGURANÇA IMPORTANTES PARA O CARREGADOR E BATERIA

1. **GUARDE ESTAS INSTRUÇÕES** — Este manual contém importantes normas de segurança e de funcionamento do carregador e da bateria.
2. Antes de utilizar o carregador leia todas as instruções e recomendações (1) do carregador da bateria, (2) da bateria e (3) da ferramenta.
3. **PRECAUÇÃO** — Para prevenir o risco de acidentes, carregue só as baterias recarregáveis Dolmar. Outros tipos de baterias poderão explodir e causar danos pessoais e materiais.
4. Não exponha o carregador à chuva ou à neve.
5. Se utilizar um acoplamento que não seja recomendado ou vendido pelo fabricante do carregador da bateria, poderá provocar um incêndio, um choque eléctrico ou danos pessoais.
6. Para não danificar a ficha e o cabo, quando desligar o carregador puxe apenas pela ficha.
7. Verifique se o cabo está colocado em local onde não tropece nele nem o pise, e também onde não fique sujeito a puxões ou outros tipos de danos.
8. Não ligue à corrente um carregador que tenha o cabo ou a ficha danificados. Substitua-os imediatamente.
9. Não utilize um carregador que tenha levado uma pancada, tenha caído ou esteja danificado; leve-o a um serviço de assistência oficial.

10. Não desmonte o carregador ou a bateria; quando for necessária uma reparação leve-os a um serviço de assistência oficial. Uma montagem incorrecta poderá provocar um incêndio ou choque eléctrico.
11. Para evitar apanhar um choque eléctrico desligue o carregador da tomada de corrente antes de efectuar qualquer trabalho de manutenção ou de limpeza. Se apenas desligar o carregador e não retirar a ficha da tomada, não evitará o perigo de choques eléctricos.
12. O carregador de bateria não deve ser utilizado por crianças ou por enfermos sem vigilância.
13. Deve vigiar as crianças para se certificar de que não brincom com o carregador.
14. Se o tempo de operação se tornar excessivamente curto, pare imediatamente a operação. Pode resultar em sobreaquecimento, possíveis queimaduras e mesmo uma explosão.
15. Se entrar electrólito nos seus olhos, lave-os com água limpa e procure imediatamente assistência médica. Pode resultar em perda de visão.

REGRAS DE SEGURANÇA ADICIONAIS PARA O CARREGADOR E BATERIA

1. Não carregue a bateria quando a temperatura for INFERIOR a 10°C ou SUPERIOR a 40°C.
2. Não use um transformador, gerador ou acumulador de corrente contínua.
3. Não tape nem obstrua a ventilação do carregador.
4. Cubra sempre os terminais da bateria com a respectiva tampa quando não estiver a utilizá-la.
5. Não provoque um curto-circuito na bateria:
 - (1) Não toque nos terminais com nenhum material condutor.
 - (2) Evite guardar a bateria juntamente com outros objectos metálicos tais como pregos, moedas, etc.
 - (3) Não exponha a bateria à chuva ou à água. Um curto-circuito na bateria pode causar um grande fluxo de corrente, sobreaquecimento, possíveis queimaduras e mesmo uma avaria.
6. Não guarde a ferramenta e a bateria em locais onde a temperatura possa atingir ou ultrapassar 50°C.
7. Não queime a bateria mesmo se estiver severamente danificada ou completamente gasta. A bateria pode explodir no fogo.

8. Tenha cuidado para não deixar cair, agitar ou dar pancadas na bateria.
9. Não carregue dentro de uma caixa ou de um recipiente de qualquer tipo. A bateria deve ser colocada num local bem ventilado durante o carregamento.
10. Use óculos de protecção. Calce também sapatos e luvas de protecção. Use roupa ajustada e protector para a cabeça.
11. Antes de fazer um corte, retire particulas, pedras, ramos partidos e soltos, pregos, agrafos e fios metálicos da árvore.

REGRAS DE SEGURANÇA ADICIONAIS PARA A ELECTROSERRA

1. Não exponha a electroserra à chuva. Não a utilize em locais molhados ou húmidos.
2. Segure-a firmemente com as duas mãos quando o motor estiver a funcionar.
3. Instale a corrente correctamente de acordo com este manual de instruções.
4. Não se incline. Mantenha sempre os pés bem firmes e em equilíbrio.
5. Mantenha todo o seu corpo afastado da corrente quando o motor estiver a funcionar.
6. Antes de ligar a electroserra, certifique-se de que a corrente não está em contacto com nada.
7. Desligue imediatamente a electroserra se notar algo de anormal no funcionamento.
8. Inspeccione cuidadosamente a electroserra se a tiver deixado cair ou batido contra qualquer coisa dura.
9. Quando não estiver a ser utilizada a electroserra deve ser guardada num local seco, elevado ou fechado — fora do alcance de crianças. Quando a guardar coloque a capa (Cobertura da corrente).

12. Prenda a superfície a cortar de modo a que não se movimente de repente durante a operação. Tenha cuidado com os bocados de madeira cortados. Podem atingir o operador.
13. Para evitar que a corrente fique presa no corte, apoie a superfície a cortar perto do corte utilizando suportes ou similares.

GUARDE ESTAS INSTRUÇÕES.

INSTRUÇÕES DE FUNCIONAMENTO

Instalação ou extracção da bateria (Fig. 1)

- Desligue sempre a ferramenta antes de colocar ou retirar a bateria.
- Para retirar a bateria, tire-a da ferramenta enquanto pressiona os botões nos dois lados da bateria.
- Para colocar a bateria, alinhe a saliência na bateria com a ranhura no corpo e deslize-a até ficar encaixada. Introduza-a sempre até ao fim de modo a que fique presa com um pequeno clique. Se assim não for, pode acidentalmente cair da ferramenta, ferindo-o ou a na sua proximidade.
- Não force a introdução da bateria. Se a bateria não deslizar facilmente é porque não foi colocada correctamente.

Carga (Fig. 2)

Ligue o carregador à fonte de corrente alterna apropriada. A luz de carga pisca em verde. Introduza a bateria de modo a que os terminais positivo e negativo coincidam com as marcas respectivas no carregador. Introduza a bateria até ao fundo do carregador. Após a introdução, a luz muda de verde para vermelho e inicia-se a carga. A luz mantém-se acesa durante a carga. Quando a carga termina no espaço aproximado de 45 minutos, a luz muda de vermelho para verde.

Depois da carga, desligue o carregador da fonte de alimentação.

Tipo da bateria	Capacidade (Ah)	Número de células
AP-123	2,0	10

PRECAUÇÃO:

- O carregador destina-se a carregar a bateria Dolmar. Nunca o utilize para outros fins ou para baterias de outro fabricante.
- Quando carregar uma nova bateria ou uma que não foi carregada durante um longo período de tempo, pode não aceitar uma carga completa. É uma situação normal e não indica um problema. Pode recarregar a bateria completamente depois de a ter descarregado completamente e voltado a carregar algumas vezes.
- Se carregar uma bateria de uma ferramenta que acabou de trabalhar ou uma bateria que foi deixada exposta ao sol ou ao calor durante muito tempo, a luz de carga pode piscar em vermelho. Se isso acontecer espere um pouco. A carga começará depois da bateria ter arrefecido. A bateria arrefecerá mais rapidamente se a retirar do carregador.
- Se a luz piscar alternadamente em vermelho e em verde, existe um problema e a carga não é possível. Os terminais no carregador ou na bateria estão bloqueados com pó ou a bateria já não está utilizável ou está danificada.

Instalação ou extracção da corrente

PRECAUÇÃO:

- Certifique-se sempre de que a electroserra está desligada e a bateria retirada antes de extrair ou colocar a corrente.
- Use sempre luvas quando colocar ou retirar a corrente da electroserra.

Desaperte os parafusos com uma chave de parafusos. Retire o resguardo da roda dentada. **(Fig. 3)**

Desaperte o perno com a chave hexagonal fornecida. Retire a espada. **(Fig. 4)**

Instale a corrente sobre a espada. Note que todas as arestas de corte devem ficar orientadas na direcção do movimento (seta). **(Fig. 5)**

Coloque a corrente sobre a roda dentada. Instale a espada de modo a que a sua parte côncava toque a mola de regulação da tensão da corrente. **(Fig. 6)**

Aperte o perno que segura a espada. Coloque o resguardo da roda dentada e aperte os parafusos para o fixar.

Lubrificação (Fig. 7)

PRECAUÇÃO:

- Certifique-se sempre de que a electroserra está desligada e a bateria retirada antes de lubrificar a corrente.
- Utilize sempre óleo vegetal quando podar árvores de fruto. O óleo mineral pode danificar as árvores.

Lubrifique uniformemente toda a corrente da electroserra. Lubrifique também quando substituir uma bateria completamente descarregada por uma carregada.

Interruptor (Fig. 8)

PRECAUÇÃO:

Antes de colocar a bateria na electroserra, verifique sempre se o gatilho funciona correctamente e volta para a posição "OFF" quando libertado.

Para evitar que o gatilho seja acidentalmente pressionado existe um botão de bloqueio.

Para ligar a electroserra, pressione o botão de bloqueio e carregue no gatilho. Liberte o gatilho para parar.

Transporte da electroserra (Fig. 9)

Retire sempre a bateria e cubra a espada com capa antes de transportar a electroserra. Cubra a bateria com a respectiva tampa.

Podar árvores

PRECAUÇÃO:

- Mantenha todo o seu corpo afastado da corrente da electroserra quando o motor estiver a funcionar.
- Segure a electroserra firmemente com as duas mãos quando o motor estiver a funcionar.
- Não se incline. Mantenha sempre os pés firmes e em equilíbrio.

Aproxime o resguardo da ponta/parte frontal da caixa até tocar o ramo a cortar antes de ligar a electroserra. Se este procedimento não for seguido a espada poderá oscilar e ferir o operador. **(Fig. 10 e 11)**

Quando cortar ramos grossos, faça primeiro um corte pouco profundo por baixo e em seguida faça o corte final a partir de cima. **(Fig. 12)**

Se tentar cortar ramos grossos por baixo, o ramo pode dobrar-se sobre a corrente e prendê-la. Se tentar cortar ramos grossos por cima sem ter feito um corte pouco profundo por baixo, o ramo pode estilhaçar-se. **(Fig. 13)**

Se não conseguir cortar a madeira completamente com um simples corte:

- Exerça uma pressão ligeira na pega e continue a serrar e
- recue a serra um pouco; em seguida
- coloque a ponta um pouco mais baixa e
- acabe o corte levantando a pega. **(Fig. 14)**

Regulação da tensão da corrente da electroserra (Fig. 15 e 16)

A corrente da electroserra pode ficar solta depois de várias horas de uso. De vez em quando verifique a tensão da corrente. Segure-a no meio da espada e levante-a. O espaço entre a espada e a base da corrente deve ser aproximadamente 2–3 mm. Se não for, desaperte ligeiramente o perno que prende a espada. O espaço será automaticamente regulado pela mola de regulação da tensão da corrente para aproximadamente 2–3 mm. Em seguida aperte o perno firmemente certificando-se de que o espaço é de aproximadamente 2–3 mm.

MANUTENÇÃO

PRECAUÇÃO:

- Certifique-se sempre de que a ferramenta se encontra desligada e de que a bateria foi retirada antes de efectuar qualquer trabalho na ferramenta.
- Use sempre luvas quando executar qualquer inspecção ou manutenção.
- Por favor, mande afiar a corrente de serra a um Serviço de Assistência Autorizado da Dolmar ou substitua-a por uma nova se a sua corrente de serra não cortar correctamente.

Limpar a espada (Fig. 17)

Partículas e pó da electroserra acumulam-se na ranhura da espada obstruindo e diminuindo o fluxo do óleo. Retire sempre as partículas e o pó quando afiar ou substituir a corrente.

Armazenar a electroserra

Limpe a electroserra antes de a guardar. Retire todas as partículas e pó da electroserra depois de ter retirado a cobertura da corrente. Depois de limpa ponha-a a funcionar em vazio. Em seguida retire a bateria da electroserra e lubrifique a corrente e a espada.

Para salvaguardar a segurança e a fiabilidade do produto, as reparações, manutenção e afinações deverão ser sempre efectuadas por um Centro de Assistência Oficial Dolmar.

ACESSÓRIOS

PRECAUÇÃO:

- Estes acessórios ou peças são recomendados para utilização com a ferramenta Dolmar especificada neste manual. A utilização de outros acessórios ou peças pode ser perigosa para as pessoas. Utilize apenas acessórios ou peças para os fins indicados.

Se precisar de ajuda para obter mais informações relativos a estes acessórios, entre em contacto com o centro de assistência Dolmar local.

- Chave hexagonal
- Capa
- Lima redonda
- Óleo para correntes
- Vários tipos de baterias Dolmar e carregadores



DOLMAR GmbH
Postfach 70 04 20
D-2000 Hamburg 70
Germany

884121G991

Free Manuals Download Website

<http://myh66.com>

<http://usermanuals.us>

<http://www.somanuals.com>

<http://www.4manuals.cc>

<http://www.manual-lib.com>

<http://www.404manual.com>

<http://www.luxmanual.com>

<http://aubethermostatmanual.com>

Golf course search by state

<http://golfingnear.com>

Email search by domain

<http://emailbydomain.com>

Auto manuals search

<http://auto.somanuals.com>

TV manuals search

<http://tv.somanuals.com>