



Installing Memory in the Router

This chapter describes procedures for adding and replacing memory in Cisco 3600 series routers, and contains the following sections:

- [Accessing the Mainboard, page 5-2](#)
- [Replacing DRAM and SDRAM, page 5-6](#)
- [Replacing Flash Memory SIMMs, page 5-19](#)
- [Replacing the ROM, page 5-24](#)
- [Closing the Router, page 5-29](#)
- [Installing and Configuring Flash Memory Cards in Cisco 3620, Cisco 3640, and Cisco 3660 Routers, page 5-34](#)
- [Installing and Formatting Compact Flash Memory Cards in Cisco 3631 Routers, page 5-44](#)



Warning

Only trained and qualified personnel should be allowed to install or replace this equipment. To see translations of the warnings that appear in this publication, refer to the *Regulatory Compliance and Safety Information* document that accompanied this device.



Caution

Before performing any procedures described in this chapter, review these sections:

- [“Safety Recommendations” section on page 2-1](#)
- [“General Site Requirements” section on page 2-3](#)
- [“Installation Checklist” section on page 2-5](#)
- [“Required Tools and Equipment for Installation and Maintenance” section on page 2-7](#)



Note

When a procedure refers to the left side or right side of the chassis, it means as viewed from the front.

Accessing the Mainboard

This section describes how to open the system in order to access the router's internal components such as memory modules and the ROM. You need a number 2 Phillips or flat-blade screwdriver to perform this procedure.



Warning

Do not touch the power supply when the power cord is connected. For systems with a power switch, line voltages are present within the power supply even when the power switch is OFF and the power cord is connected. For systems without a power switch, line voltages are present within the power supply when the power cord is connected. To see translations of the warnings that appear in this publication, refer to the *Regulatory Compliance and Safety Information* document that accompanied this device.



Warning

Before performing any of the following procedures, ensure that power is removed from the DC circuit. To ensure that all power is OFF, locate the circuit breaker on the panel board that services the DC circuit, switch the circuit breaker to the OFF position, and tape the switch handle of the circuit breaker in the OFF position. To see translations of the warnings that appear in this publication, refer to the *Regulatory Compliance and Safety Information* document that accompanied this device.

Removing the Cisco 3620 or Cisco 3640 Router Cover

Use the following procedure to remove the cover:

Step 1 Power OFF the router. However, to channel ESD voltages to ground, do not unplug the power cable.



Warning

Before opening the chassis, disconnect the telephone-network cables to avoid contact with telephone-network voltages. To see translations of the warnings that appear in this publication, refer to the *Regulatory Compliance and Safety Information* document that accompanied this device.

Step 2 Remove all network interface cables from the rear panel.

Step 3 Place the router so that the front panel is facing you. Remove the three screws located on top of the cover near the front edge. (See [Figure 5-1](#) or [Figure 5-2](#).) Set the screws aside in a safe place.

Step 4 Lift the front edge of the cover until it clears the front of the chassis. (See [Figure 5-1](#) or [Figure 5-2](#).)

Step 5 Pull the cover toward you until the metal tabs on the rear edge separate from the chassis bottom. (See [Figure 5-1](#) or [Figure 5-2](#).)

Step 6 Lift the cover until it is free from the chassis and set it aside.

When you are ready to replace the cover, see the [“Replacing the Cover on a Cisco 3620 or Cisco 3640 Router”](#) section on page 5-30.

Figure 5-1 Removing the Cisco 3620 Router Cover

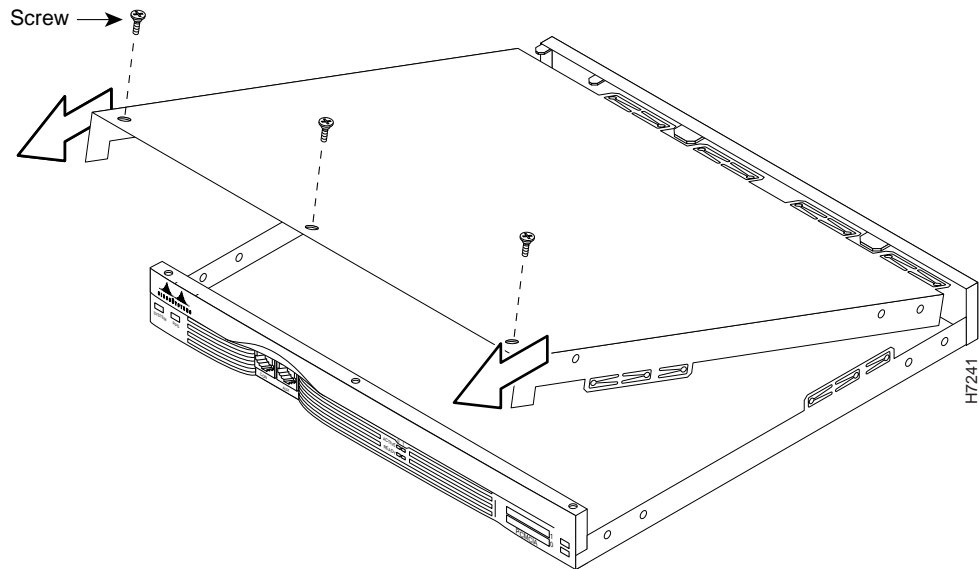
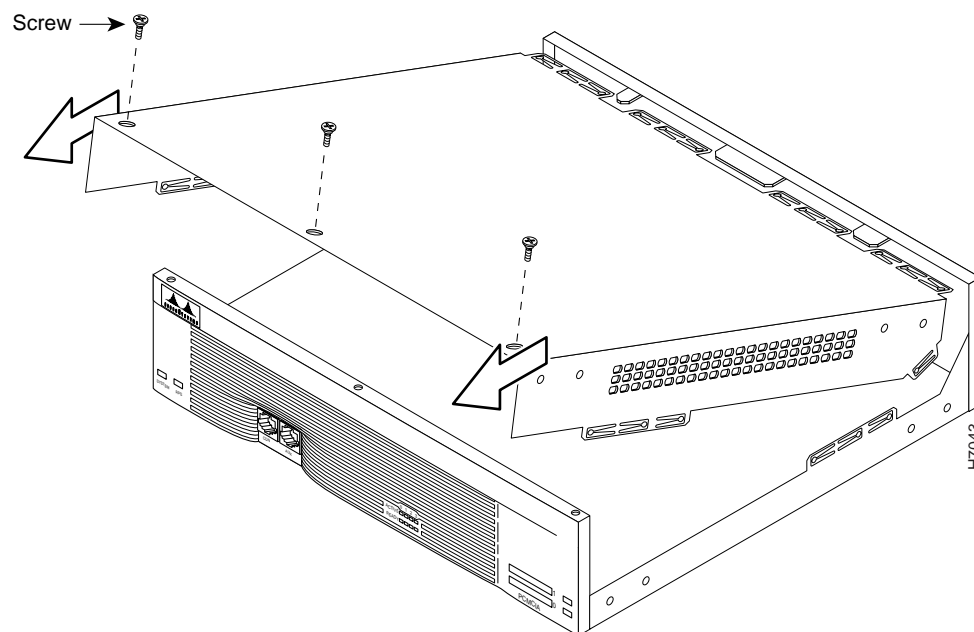


Figure 5-2 Removing the Cisco 3640 Router Cover



Removing the Cisco 3631 Router Cover

Perform the following procedure to remove the chassis cover:

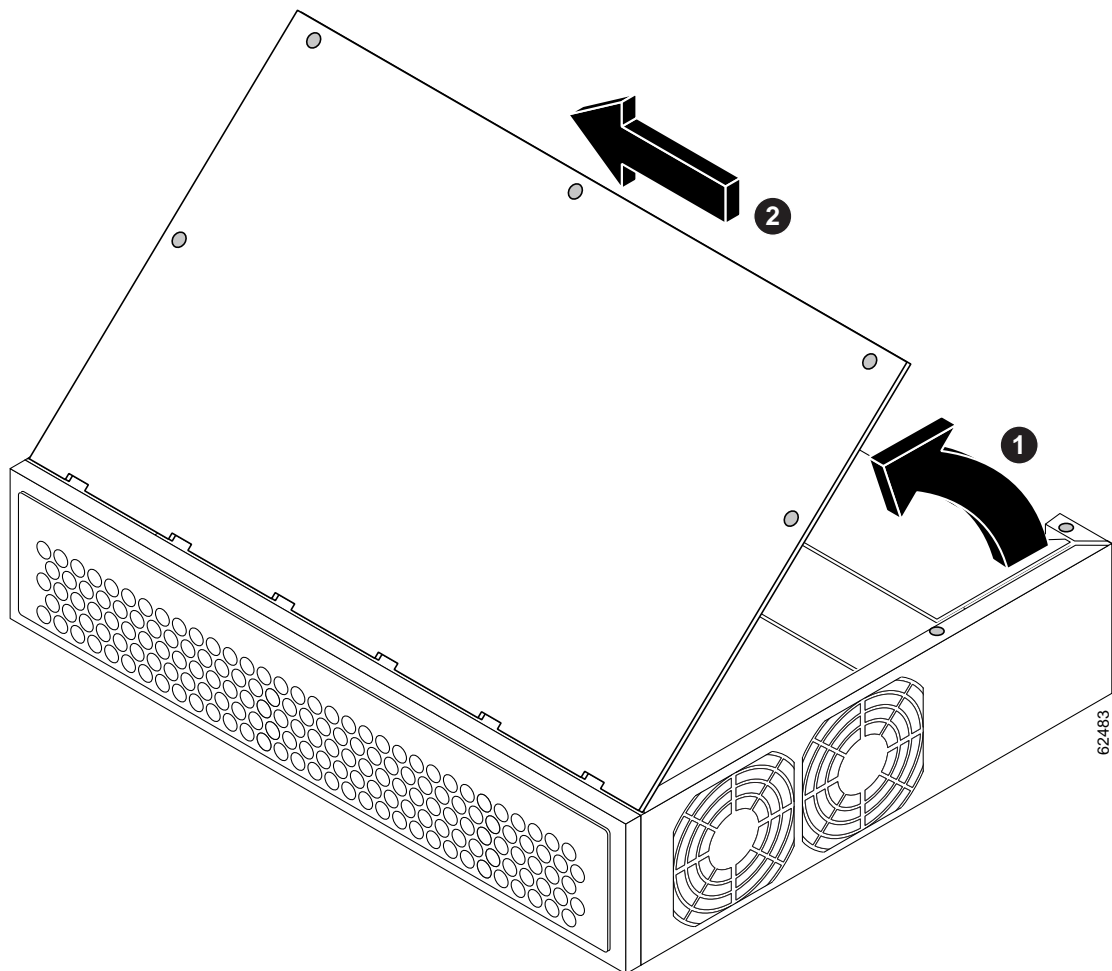
- Step 1** Power OFF the router. However, to channel ESD voltages to ground, do not unplug the power cable.

**Warning**

Before opening the chassis, disconnect the telephone-network cables to avoid contact with telephone-network voltages. To see translations of the various warnings that appear in this publication, refer to the Regulatory Compliance and Safety Information document that accompanied this device.

- Step 2** Disconnect all network interface cables from the rear panel.
- Step 3** Place the router on a flat surface. Remove the five screws located on top of the cover.
- Step 4** Rotate the cover up to a 45-degree angle. (See [Figure 5-3](#).)
- Step 5** Slide the cover to the side until the tabs are free from the slots. (See [Figure 5-3](#).)

Figure 5-3 Removing the Cisco 3631 Router Cover



1	Lift cover	2	Slide cover
---	------------	---	-------------

Removing the Cisco 3660 Mainboard Tray



Note In this publication, references to Cisco 3660 routers include both Cisco 3661 and Cisco 3662 models.

Use the following procedure to remove the mainboard tray:

Step 1 Power OFF the router. However, to channel ESD voltages to ground, do not unplug the power cable.



Warning

Before opening the chassis, disconnect the telephone-network cables to avoid contact with telephone-network voltages. To see translations of the warnings that appear in this publication, refer to the *Regulatory Compliance and Safety Information* document that accompanied this device.

Step 2 Remove all network interface cables from the mainboard tray's rear panel.

Step 3 Place the router so that the rear panel is facing you.

There are two sets of screws on the mainboard rear panel: one set of captive screws, and one set of Torx screws. (See [Figure 5-4](#).)



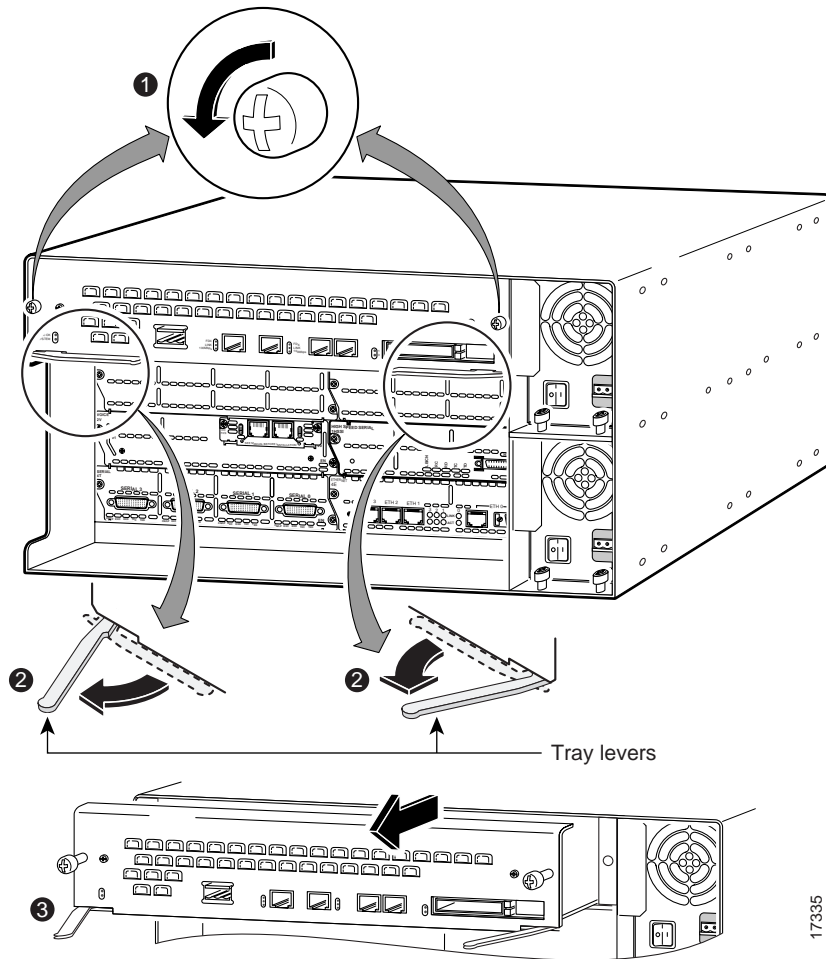
Caution

Do not remove or loosen the Torx screws.

Step 4 Loosen the two captive screws located in the upper corners. (See part 1, [Figure 5-4](#).)

Step 5 Swing the two tray levers out, and slide the mainboard tray out of the chassis. (See parts 2 and 3, [Figure 5-4](#).)

Figure 5-4 Removing the Cisco 3660 Mainboard Tray




Caution

The mainboard is an ESD-sensitive component. To avoid damage, observe all ESD precautions.

When you are ready to replace the mainboard tray, see the [“Replacing the Cisco 3660 Mainboard Tray”](#) section on page 5-33.

Replacing DRAM and SDRAM

Cisco 3600 series routers use two types of dynamic random access memory (DRAM):

- [DRAM SIMMs \(Used in Cisco 3620 and Cisco 3640 Routers\), page 5-7](#)
- [SDRAM DIMMs Used in the Cisco 3631 and Cisco 3660 Router, page 5-14](#)


Note

SIMMs and DIMMs cannot be interchanged between the router models.

DRAM SIMMs (Used in Cisco 3620 and Cisco 3640 Routers)

This section describes how to upgrade DRAM single in-line memory modules (SIMMs) in Cisco 3620 and Cisco 3640 routers. You might need to upgrade the DRAM SIMMs for the following reasons:

- You upgraded the Cisco IOS feature set or release and it requires additional DRAM.
- The router maintains large routing tables or other memory-intensive features, such as spoofing or protocol translations.

The Cisco 3620 and Cisco 3640 routers each contain four 72-pin SIMM sockets (or banks) for DRAM. Each socket can be filled with a single 32-bit-wide, 72-pin DRAM SIMM. You can configure DRAM as a mixture of primary or main memory, which is reserved for the CPU, and shared memory, which is used for data transmitted or received by modules and WAN interface cards.

To see how much memory is currently installed in the router, enter the **show version** command while the router is in the privileged EXEC mode (Router# prompt). Near the middle of the resulting output, a message similar to the following displays:

```
Cisco 3640(R4700) processor (revision 0x00) with 24576K/8192K bytes of memory.
```

This line shows how much memory is installed (in this example, 24576K/8192K). The first number represents primary memory and the second number represents shared memory.

You can configure DRAM to be either 32 or 64 bits wide. To use 64-bit mode, you must install DRAM SIMMs in pairs of the same size. Generally, basic software feature sets (such as IP) use 32-bit DRAM SIMMs and robust software feature sets (such as Enterprise) use 64-bit DRAM SIMMs.



Note

In the Cisco 3620 router, DRAM supports 32-bit operation only, whereas in the Cisco 3640 router, DRAM supports either 32- or 64-bit operation.



Note

In 32-bit mode, the router performs approximately 20 percent slower than when DRAM is configured for 64-bit mode operation.

Each SIMM socket corresponds to one bank of memory. Fill banks consecutively with no gaps; start filling banks from 0, and empty banks starting with 3. Bank 0 must always be filled first and emptied last.

Only certain combinations of DRAM SIMMs are permitted. These combinations are shown in [Table 5-1](#) for 32-bit configurations used in Cisco 3620 routers, [Table 5-2](#) for 32-bit configurations used in Cisco 3640 routers, and [Table 5-3](#) for 64-bit configurations used in Cisco 3640 routers.

Follow these rules to use 64-bit mode DRAM configuration:

- SIMMs in banks 0 and 1 must be the same size (in MB) and have the same access time (in nanoseconds).
- SIMMs in banks 2 and 3 must also be the same size and have the same access time.
- SIMMs in banks 2 and 3 must be less than or equal to the size of the SIMMs in banks 0 and 1.

[Figure 5-5](#) or [Figure 5-6](#) shows the DRAM SIMM locations in your router.

Figure 5-5 DRAM SIMM Locations in the Cisco 3620 Router

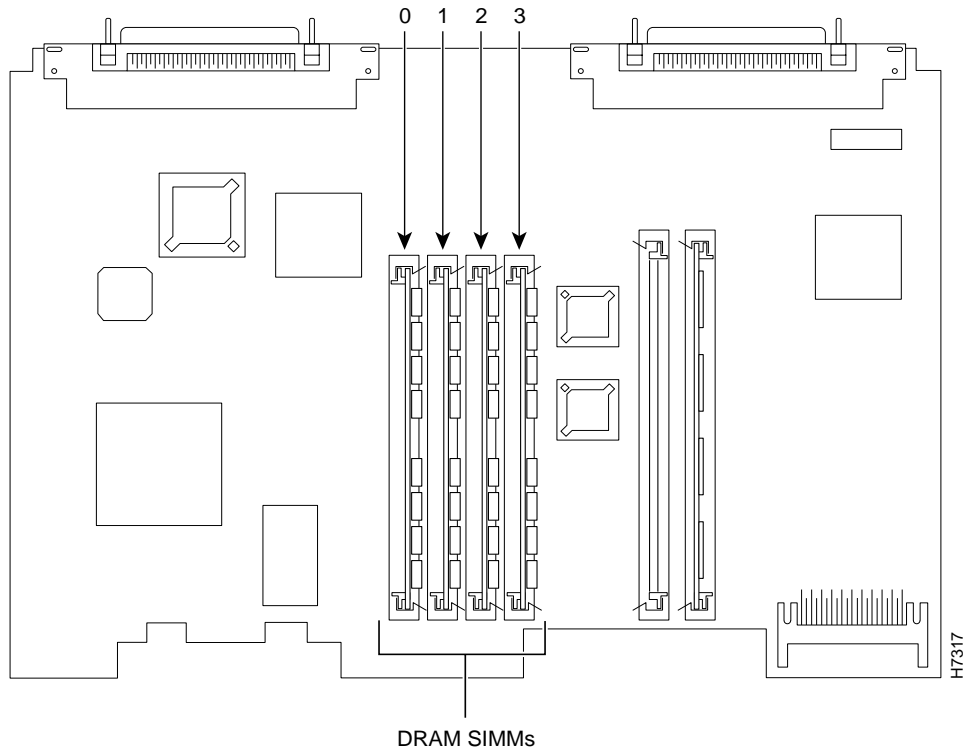


Figure 5-6 DRAM SIMM Locations in the Cisco 3640 Router

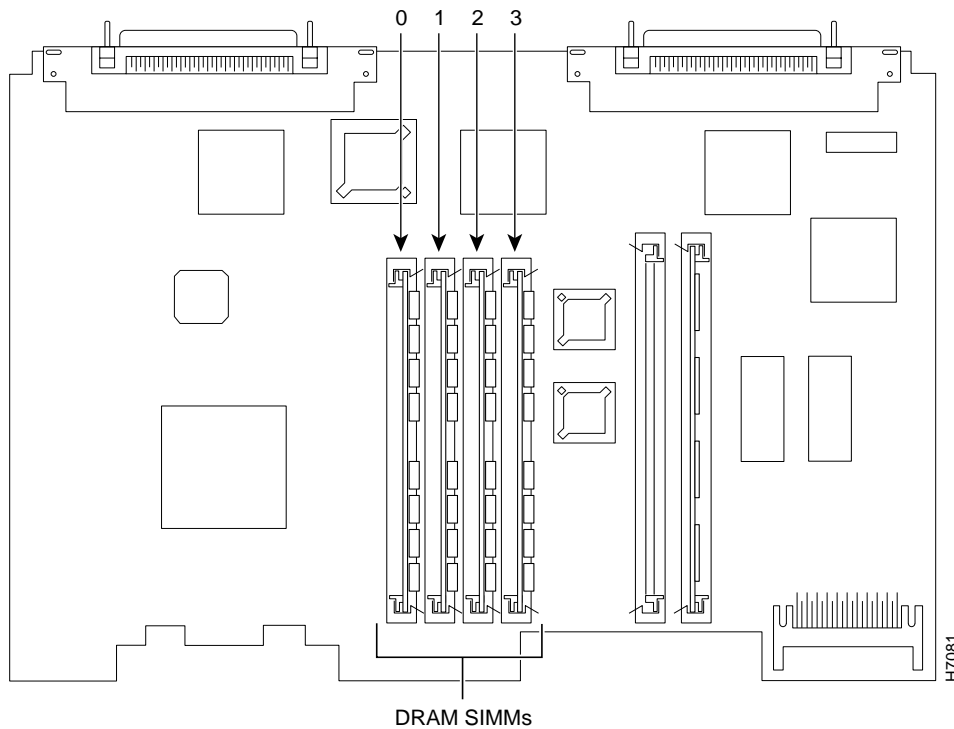


Table 5-1 32-Bit DRAM Configuration for Cisco 3620 Routers

Bank 0 (SIMM 0)	Bank 1 (SIMM 1)	Bank 2 (SIMM 2)	Bank 3 (SIMM 3)	Total Memory
4 MB	4 MB	4 MB	4 MB	16 MB
4 MB	4 MB	8 MB	Not installed	16 MB
8 MB	8 MB	Not installed	Not installed	16 MB
16 MB	Not installed	Not installed	Not installed	16 MB
4 MB	16 MB	Not installed	Not installed	20 MB
4 MB	4 MB	4 MB	4 MB	16 MB
8 MB	8 MB	4 MB	Not installed	20 MB
16 MB	4 MB	Not installed	Not installed	20 MB
8 MB	16 MB	Not installed	Not installed	24 MB
8 MB	8 MB	8 MB	Not installed	24 MB
8 MB	8 MB	4 MB	4 MB	24 MB
16 MB	8 MB	Not installed	Not installed	24 MB
8 MB	8 MB	4 MB	8 MB	28 MB
8 MB	8 MB	8 MB	4 MB	28 MB
8 MB	8 MB	16 MB	Not installed	32 MB
8 MB	8 MB	8 MB	8 MB	32 MB
16 MB	16 MB	Not installed	Not installed	32 MB
16 MB	16 MB	4 MB	Not installed	36 MB
16 MB	16 MB	4 MB	4 MB	40 MB
16 MB	16 MB	8 MB	Not installed	40 MB
16 MB	16 MB	4 MB	8 MB	44 MB
16 MB	16 MB	8 MB	4 MB	44 MB
16 MB	16 MB	8 MB	8 MB	48 MB
16 MB	16 MB	16 MB	Not installed	48 MB
16 MB	16 MB	16 MB	4 MB	52 MB
16 MB	16 MB	16 MB	8 MB	56 MB
16 MB	16 MB	16 MB	16 MB	64 MB

Table 5-2 32-Bit DRAM Configuration for Cisco 3640 Routers

Bank 0 (SIMM 0)	Bank 1 (SIMM 1)	Bank 2 (SIMM 2)	Bank 3 (SIMM 3)	Total Memory
4 MB	4 MB	8 MB	Not installed	16 MB
16 MB	Not installed	Not installed	Not installed	16 MB
4 MB	16 MB	Not installed	Not installed	20 MB
8 MB	8 MB	4 MB	Not installed	20 MB
16 MB	4 MB	Not installed	Not installed	20 MB
8 MB	16 MB	Not installed	Not installed	24 MB
8 MB	8 MB	8 MB	Not installed	24 MB
16 MB	8 MB	Not installed	Not installed	24 MB
8 MB	8 MB	4 MB	8 MB	28 MB
8 MB	8 MB	8 MB	4 MB	28 MB
8 MB	8 MB	16 MB	Not installed	32 MB
16 MB	16 MB	4 MB	Not installed	36 MB
16 MB	16 MB	8 MB	Not installed	40 MB
16 MB	16 MB	8 MB	4 MB	44 MB
16 MB	16 MB	4 MB	8 MB	44 MB
16 MB	16 MB	16 MB	4 MB	52 MB
16 MB	16 MB	4 MB	16 MB	52 MB
16 MB	16 MB	16 MB	8 MB	56 MB
16 MB	16 MB	8 MB	16 MB	56 MB

Table 5-3 64-Bit DRAM Configuration for Cisco 3640 Routers

Bank 0 (SIMM 0)	Bank 1 (SIMM 1)	Bank 2 (SIMM 2)	Bank 3 (SIMM 3)	Total Memory
4 MB	4 MB	4 MB	4 MB	16 MB
8 MB ¹	8 MB	Not installed	Not installed	16 MB
8 MB-Dual ²	8 MB-Dual	Not installed	Not installed	16 MB
8 MB	8 MB	4 MB	4 MB	24 MB
8 MB-Dual	8 MB-Dual	4 MB	4 MB	24 MB
8 MB	8 MB	8 MB	8 MB	32 MB
8 MB	8 MB	8 MB-Dual	8 MB-Dual	32 MB
8 MB-Dual	8 MB-Dual	8 MB	8 MB	32 MB
8 MB-Dual	8 MB-Dual	8 MB-Dual	8 MB-Dual	32 MB
16 MB	16 MB	–	–	32 MB
16 MB	16 MB	4 MB	4 MB	40 MB
16 MB	16 MB	8 MB	8 MB	48 MB

Table 5-3 64-Bit DRAM Configuration for Cisco 3640 Routers (continued)

Bank 0 (SIMM 0)	Bank 1 (SIMM 1)	Bank 2 (SIMM 2)	Bank 3 (SIMM 3)	Total Memory
16 MB	16 MB	8 MB-Dual	8 MB-Dual	48 MB
16 MB	16 MB	16 MB	16 MB	64 MB
32 MB-Dual ³	32 MB-Dual	Not installed	Not installed	64 MB
32 MB-Dual	32 MB-Dual	4 MB	4 MB	72 MB
32 MB-Dual	32 MB-Dual	8 MB	8 MB	80 MB
32 MB-Dual	32 MB-Dual	8 MB-Dual	8 MB-Dual	80 MB
32 MB-Dual	32 MB-Dual	16 MB	16 MB	96 MB
32 MB-Dual	32 MB-Dual	32 MB-Dual	32 MB-Dual	128 MB

1. 8 MB = single-bank SIMM, 8 MB in size.
2. 8 MB-Dual = dual-bank SIMM, 8 MB in size.
3. 32 MB-Dual = dual-bank SIMM, 32 MB in size.

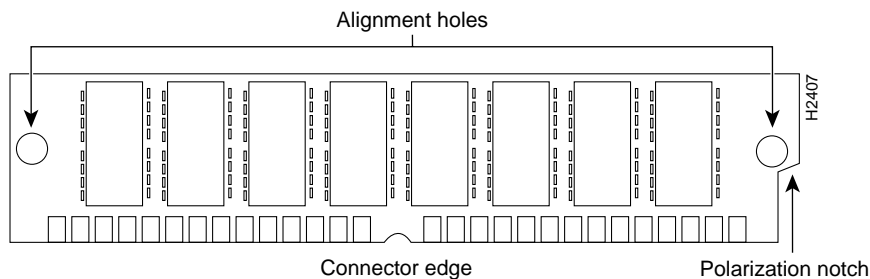
DRAM SIMM Orientation

SIMMs have a polarization notch to ensure proper orientation and alignment holes to ensure proper positioning. [Figure 5-7](#) shows the polarization notch and alignment holes on a SIMM. DRAM SIMMs are installed with the connector edge down and the polarization notch near the front of the chassis.



Caution

To avoid damaging ESD-sensitive components, observe all ESD precautions. To avoid damaging the underlying mainboard, do not use excessive force when you remove or replace SIMMs.

Figure 5-7 DRAM SIMM

Removing DRAM SIMMS

Perform this procedure to remove DRAM SIMMs:

- Step 1** Attach an ESD-preventive wrist strap and ensure that it makes good contact with your skin. Connect the equipment end of the wrist strap to the metal back plate of the chassis, avoiding contact with the connectors.
- Step 2** On the mainboard, locate the DRAM SIMM sockets shown in [Figure 5-5](#) or [Figure 5-6](#).

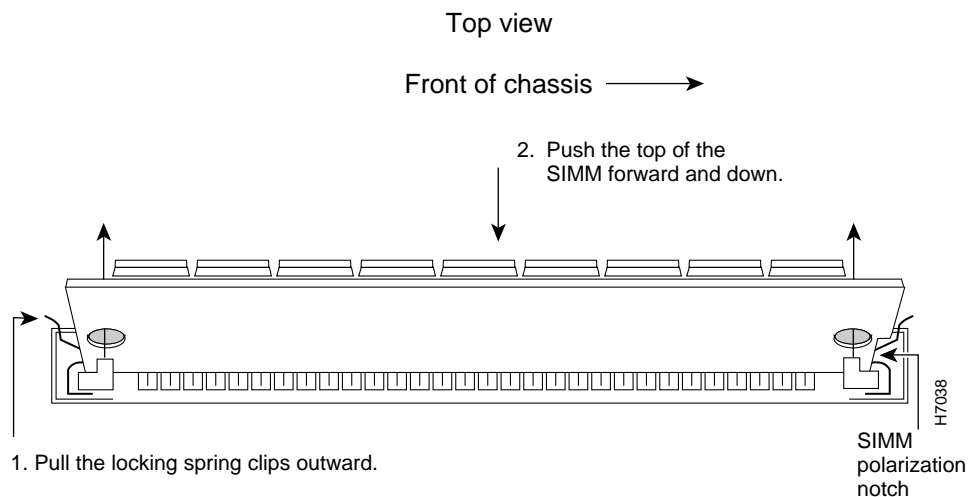


Caution

Handle SIMMs by the non-connector edges only. SIMMs are ESD-sensitive components and can be damaged by mishandling.

- Step 3** Remove one SIMM at a time, beginning with the SIMM in bank 3. To lift the SIMM out of its socket, pull the locking spring clips on both sides outward and tilt the SIMM toward the right side of the chassis, until it is free of the clips. (See [Figure 5-8](#).)

Figure 5-8 Removing DRAM SIMMs



- Step 4** Hold the SIMM by the edges with your thumb and index finger and lift it out of the socket. Place the removed SIMM in an antistatic bag to protect it from ESD damage.
- Step 5** Repeat [Step 3](#) and [Step 4](#) for each SIMM.

Installing DRAM SIMMs

Perform this procedure to install DRAM SIMMs:

Step 1 Attach an ESD-preventive wrist strap and ensure that it makes good contact with your skin. Connect the equipment end of the wrist strap to the metal back plate of the chassis, avoiding contact with the connectors.

Step 2 On the mainboard, locate the DRAM SIMM sockets shown in [Figure 5-5](#) or [Figure 5-6](#).



Caution

Handle SIMMs by the edges only. SIMMs are ESD-sensitive components and can be damaged by mishandling.

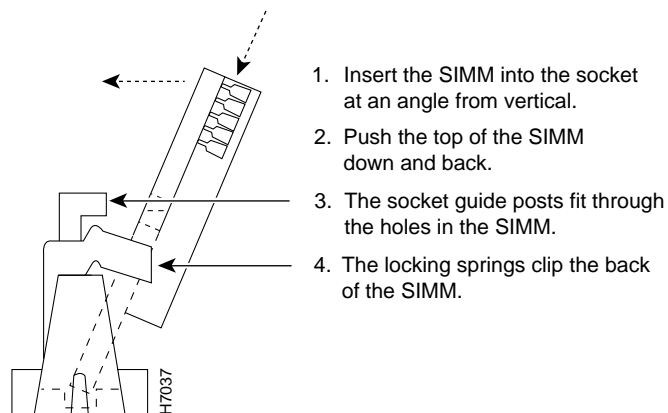
Step 3 Hold the SIMM with the polarization notch on the right, near the front of the chassis, and with the connector edge at the bottom.

Step 4 Beginning with bank 0, insert the SIMM into the socket at an angle, tilted toward the right side of the chassis. Rock the SIMM into a vertical position (see [Figure 5-9](#)), using the minimum amount of force required. When the SIMM is properly seated, the socket guide posts fit through the alignment holes, and the locking spring clips click into place.

Step 5 Ensure that each SIMM is straight (perpendicular to the socket), and that the alignment holes (as shown in [Figure 5-9](#)) line up with the plastic socket guides on the socket.

Figure 5-9 Installing DRAM SIMMs

View from front of chassis



Caution

It is normal to feel some resistance when installing a SIMM, but do not use excessive force on the SIMM, and do not touch the surface components.

Step 6 Repeat [Step 3](#) through [Step 5](#) for each SIMM.

When you finish replacing SIMMs, proceed to the [“Replacing the Cover on a Cisco 3620 or Cisco 3640 Router”](#) section on page 5-30.

SDRAM DIMMs Used in the Cisco 3631 and Cisco 3660 Router

This section describes how to upgrade synchronous dynamic random access memory (SDRAM) dual in-line memory modules (DIMMs) in the Cisco 3631 and Cisco 3660 routers. You might need to upgrade the SDRAM DIMMs for the following reasons:

- You upgraded the Cisco IOS feature set or release and it requires additional SDRAM.
- The router maintains large routing tables or other memory-intensive features, such as spoofing or protocol translations.

The Cisco 3631 and Cisco 3660 routers contain two 168-pin DIMM sockets for SDRAM. Each socket can be filled with a single 64-bit-wide, 168-pin SDRAM DIMM. You can configure SDRAM as a mixture main memory, which is reserved for the CPU, and shared memory, which is used for data transmitted or received by modules and WAN interface cards. See [Figure 5-10](#) and [Figure 5-11](#) for DIMM locations.

To see how much memory is currently installed in the router, enter the **show version** command while the router is in the privileged EXEC mode (`Router#` prompt). Near the middle of the resulting output, a message similar to the following displays:

```
Cisco 3660(R527x) processor (revision 0x00) with 24576K/8192K bytes of memory.
```

This line shows how much memory is installed (in this example, 24576K/8192K). The first number represents primary memory and the second number represents shared memory. Your router supports up to 256 MB of SDRAM.

Each DIMM socket corresponds to one bank of memory. Fill banks from 0, and empty banks starting with 1. Bank 0 must always be filled first and emptied last.

The Cisco 3631 router supports both parity and non-parity PC-100 DIMMs ranging in capacity from 64 MB to 128 MB. Only certain combinations of SDRAM DIMMs are permitted. (See [Table 5-5](#).)

The Cisco 3660 router supports both parity and non-parity PC-100 DIMMs ranging in capacity from 16 MB to 128 MB. Only certain combinations of SDRAM DIMMs are permitted. (See [Table 5-5](#).)



Note

An advantage of parity DIMMs over non-parity DIMMs is easier identification of memory errors; a disadvantage is lower processing speed.



Note

To use a 64-bit mode SDRAM configuration, the DIMM in bank 1 must be less than or equal to the size of the DIMM in bank 0.

Figure 5-10 SDRAM DIMM Locations in the Cisco 3631 Router

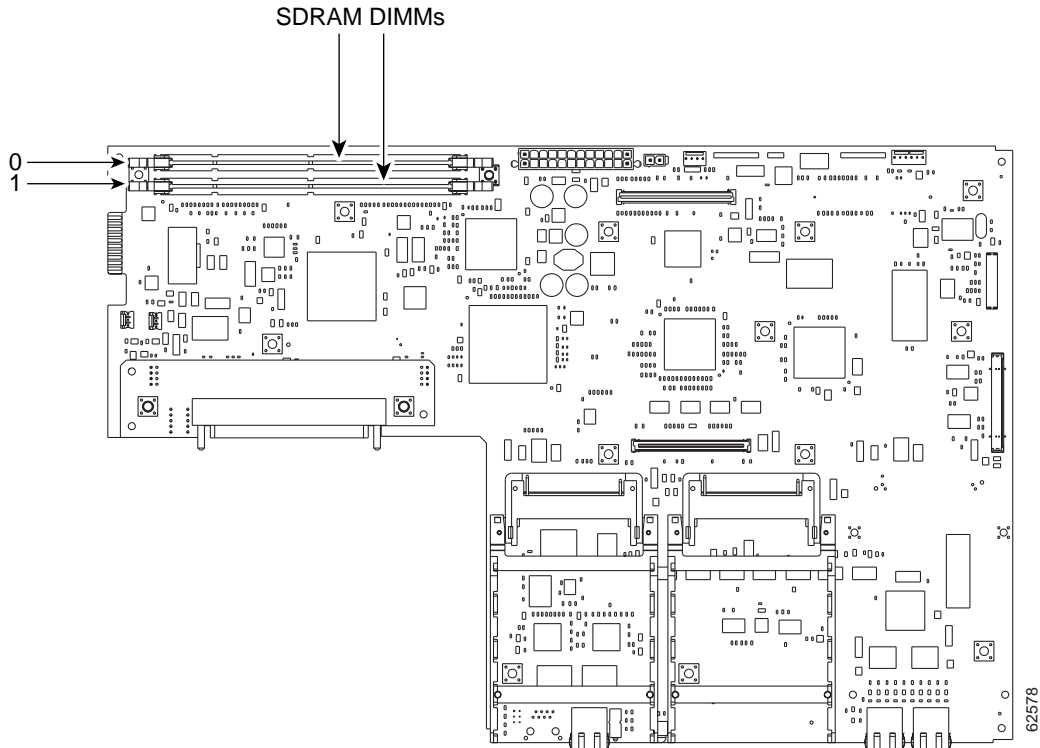


Table 5-4 SDRAM Configurations for Cisco 3631 Routers

Bank 0 (SIMM 0)	Bank 1 (SIMM 1)	Total Memory
64 MB	Not installed	64 MB
32 MB	32 MB	64 MB
32 MB	64 MB	96 MB
64 MB	32 MB	96 MB
128 MB	Not installed	128 MB
64 MB	64 MB	128 MB
Not installed	128 MB	128 MB
32 MB	128 MB	160 MB
128 MB	32 MB	160 MB
64 MB	128 MB	192 MB
128 MB	64 MB	192 MB
128 MB	128 MB	256 MB

Figure 5-11 SDRAM DIMM Locations in the Cisco 3660 Router

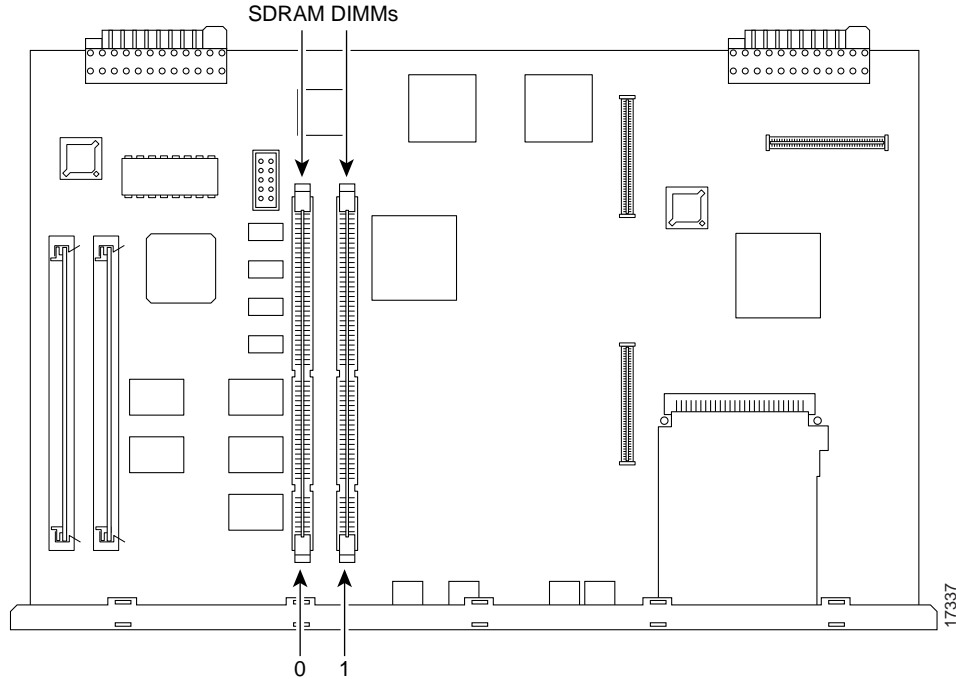


Table 5-5 SDRAM Configurations for Cisco 3660 Routers

Bank 0 (SIMM 0)	Bank 1 (SIMM 1)	Total Memory
16 MB	16 MB	32 MB
32 MB	Not installed	32 MB
32 MB	16 MB	48 MB
32 MB	32 MB	64 MB
64 MB	Not installed	64 MB
64 MB	16 MB	80 MB
64 MB	32 MB	96 MB
64 MB	64 MB	128 MB
128 MB	Not installed	128 MB
128 MB	16 MB	144 MB
128 MB	32 MB	160 MB
128 MB	64 MB	192 MB
128 MB	128 MB	256 MB

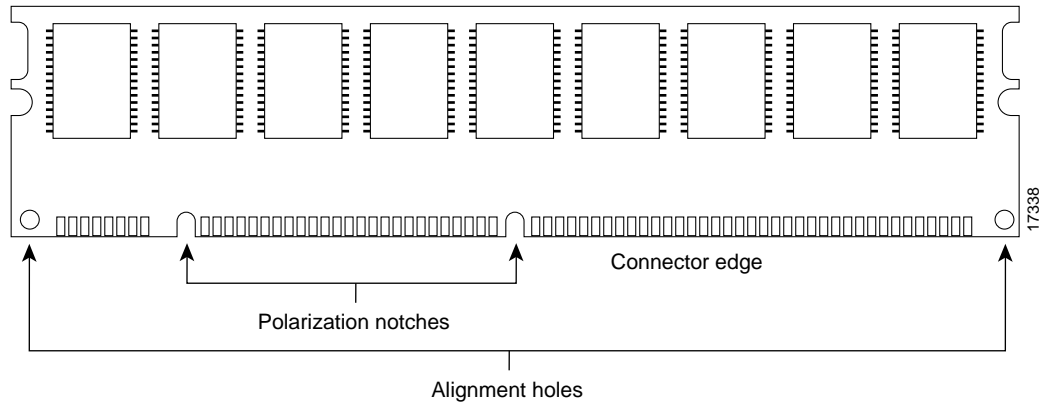
SDRAM DIMM Orientation

DIMMs have polarization notches to ensure proper orientation and alignment holes to ensure proper positioning. [Figure 5-12](#) shows the polarization notches and alignment holes on a DIMM.

**Caution**

To avoid damaging ESD-sensitive components, observe all ESD precautions. To avoid damaging the underlying mainboard, do not use excessive force when you remove or replace DIMMs.

Figure 5-12 SDRAM DIMM



Removing SDRAM DIMMS

Perform this procedure to remove SDRAM DIMMs:

- Step 1** Attach an ESD-preventive wrist strap and ensure that it makes good contact with your skin. Connect the equipment end of the wrist strap to the metal back plate of the chassis, avoiding contact with the connectors.
- Step 2** On the mainboard, locate the SDRAM DIMM sockets shown in [Figure 5-11](#).

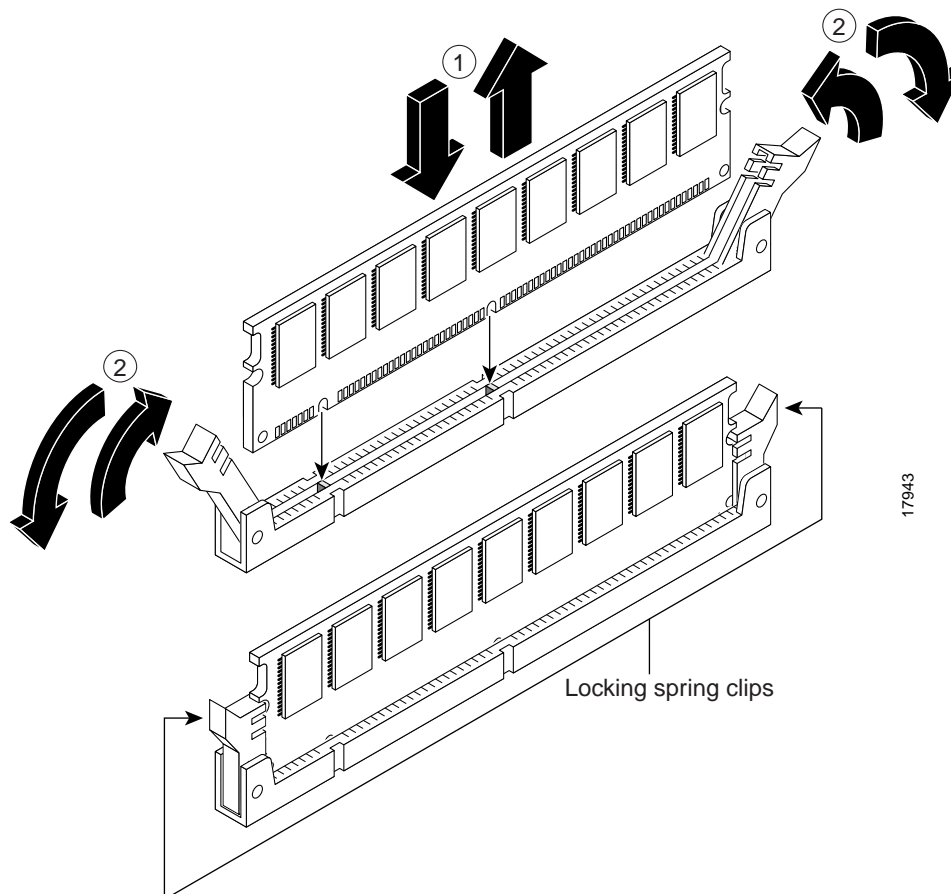


Caution

Handle DIMMs by the edges only. DIMMs are ESD-sensitive components and can be damaged by mishandling.

- Step 3** Remove the DIMM by pushing the locking spring clips on both sides outward. This ejects the DIMM from its socket. (See [Figure 5-13](#).)

Figure 5-13 Removing and Installing SDRAM DIMMs



- Step 4** Hold the DIMM by the edges with your thumb and index finger and lift it out of the socket. Place the removed DIMM in an antistatic bag to protect it from ESD damage.
- Step 5** If necessary, repeat [Step 3](#) and [Step 4](#) for the other DIMM.

Installing SDRAM DIMMs

Perform this procedure to install SDRAM DIMMs:

Step 1 Attach an ESD-preventive wrist strap and ensure that it makes good contact with your skin. Connect the equipment end of the wrist strap to the metal back plate of the chassis, avoiding contact with the connectors.

Step 2 On the mainboard, locate the SDRAM DIMM sockets shown in [Figure 5-11](#).



Caution

Handle DIMMs by the non-connector edges only. DIMMs are ESD-sensitive components and can be damaged by mishandling.

Step 3 Hold the DIMM with the polarization notch on the right, near the rear of the chassis, and with the connector edge at the bottom.

Step 4 Beginning with socket 0, insert the DIMM perpendicular to the socket. Push firmly into place (see [Figure 5-13](#)), using the minimum amount of force required. When the DIMM is properly seated, the socket guide posts fit through the alignment holes, and the locking spring clips click into place.

Step 5 Ensure that each DIMM is straight (perpendicular to the socket). (See [Figure 5-13](#).)



Caution

It is normal to feel some resistance when installing a DIMM, but do not use excessive force on the DIMM, and do not touch the surface components.

Step 6 Repeat [Step 3](#) through [Step 5](#) for each DIMM.

When you finish replacing DIMMs, and have installed all internal components, proceed to the [“Replacing the Cisco 3660 Mainboard Tray”](#) section on page 5-33.

Replacing Flash Memory SIMMs

This section describes how to upgrade the Flash memory SIMMs. The system code (Cisco IOS software) is stored in the Flash memory SIMMs. You might need to replace or add Flash memory SIMMs to upgrade to a new Cisco IOS software feature set.

The router contains one or two 80-pin Flash memory SIMMs. You can upgrade Flash memory by replacing the existing 4-MB SIMM with an 8- or 16-MB SIMM, or by adding a SIMM to the second Flash memory socket. You can install from 4 to 32 MB of Flash memory. The size of the SIMMs in the two Flash memory sockets need not be the same.



Note

Flash memory SIMMs are not interchangeable with DRAM SIMMs (used in Cisco 3620 and Cisco 3640 routers) or SDRAM DIMMs (used in Cisco 3631 and Cisco 3660 routers).

Each Flash memory SIMM socket corresponds to one bank of memory. Fill banks starting with 0, and empty banks starting with 1. Bank 0 must always be filled first and emptied last.

[Table 5-6](#) lists possible Flash memory SIMM configurations and the resulting total Flash memory.

Table 5-6 Flash Memory SIMM Configurations

Bank 0	Bank 1	Total Memory
4 MB	–	4 MB
4 MB	4 MB	8 MB
4 MB	8 MB	12 MB
4 MB	16 MB	20 MB
8 MB	–	8 MB
8 MB	4 MB	12 MB
8 MB	8 MB	16 MB
8 MB	16 MB	24 MB
16 MB	–	16 MB
16 MB	4 MB	20 MB
16 MB	8 MB	24 MB
16 MB	16 MB	32 MB
32 MB	32 MB	64 MB ¹

1. The 64 MB configuration is only available on the Cisco 3660 router.

Flash memory SIMMs have a polarization notch to ensure proper orientation and alignment holes to ensure proper positioning, similar to that shown in [Figure 5-7](#). Flash memory SIMMs are installed with the connector edge down and the polarization notch near the front of the chassis.

**Caution**

To avoid damaging ESD-sensitive components, observe all ESD precautions. To avoid damaging the underlying mainboard, do not use excessive force when you remove or replace SIMMs.

[Figure 5-14](#), [Figure 5-15](#), and [Figure 5-16](#) show the location of the Flash memory SIMMs on your router's mainboard.

Figure 5-14 Flash Memory SIMM Locations on the Cisco 3620 Mainboard

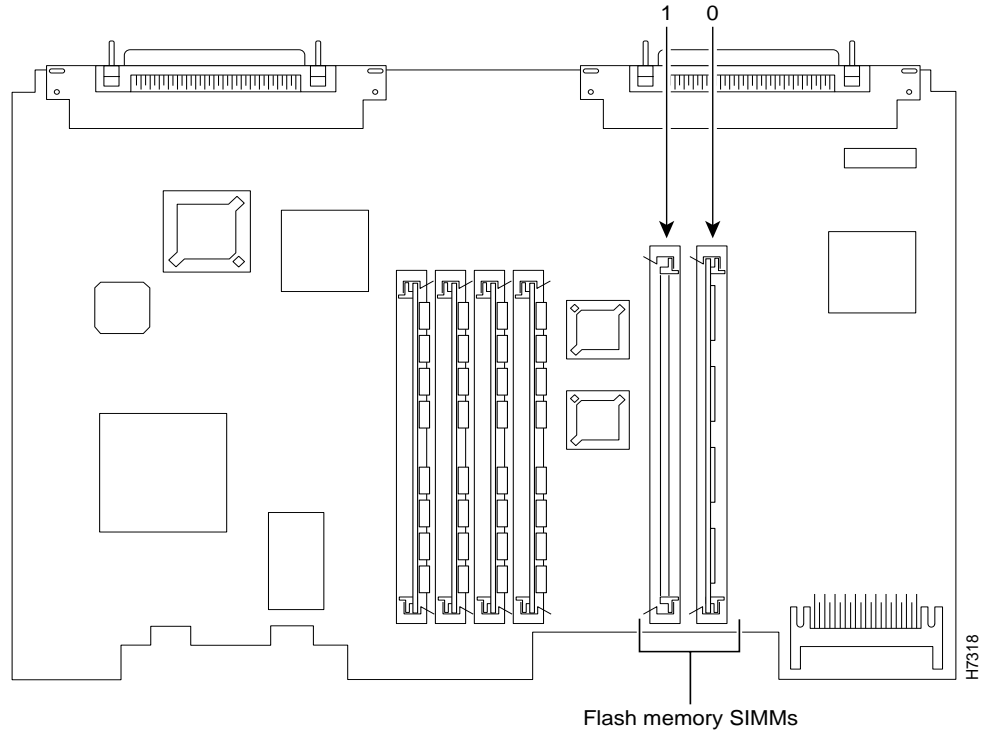


Figure 5-15 Flash Memory SIMM Locations on the Cisco 3640 Mainboard

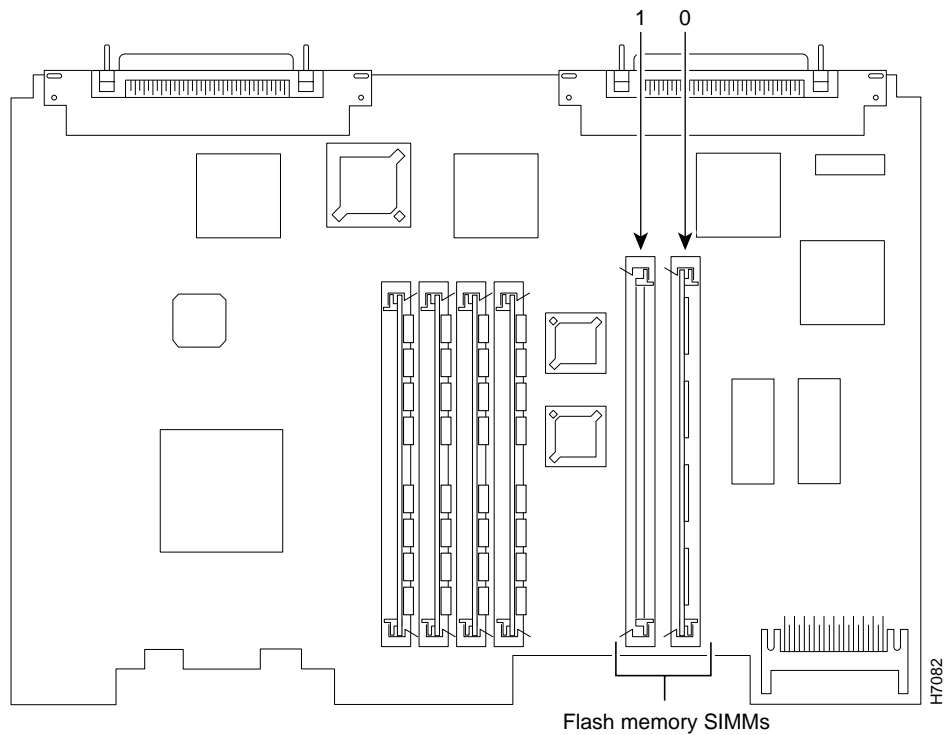
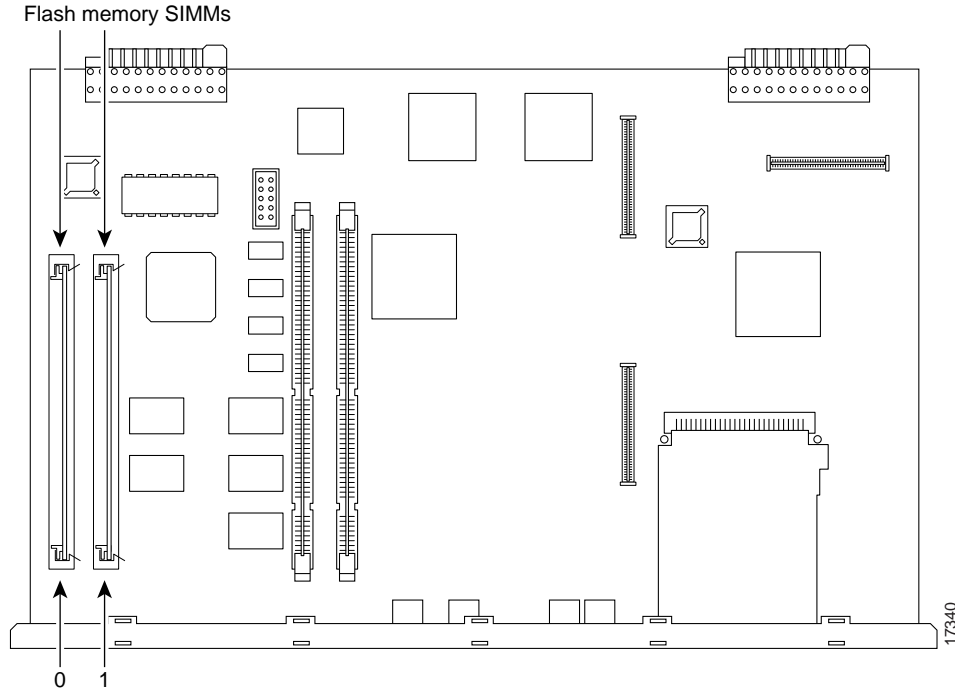


Figure 5-16 Flash Memory SIMM Locations on the Cisco 3660 Mainboard



Removing Flash Memory SIMMs

Perform this procedure to remove a Flash memory SIMM from a mainboard:

-
- Step 1** Attach an ESD-preventive wrist strap and ensure that it makes good contact with your skin. Connect the equipment end of the wrist strap to the metal back plate of the chassis, avoiding contact with the connectors.
- Step 2** Locate the Flash memory SIMM sockets on the mainboard. (See [Figure 5-14](#) through [Figure 5-16](#).)

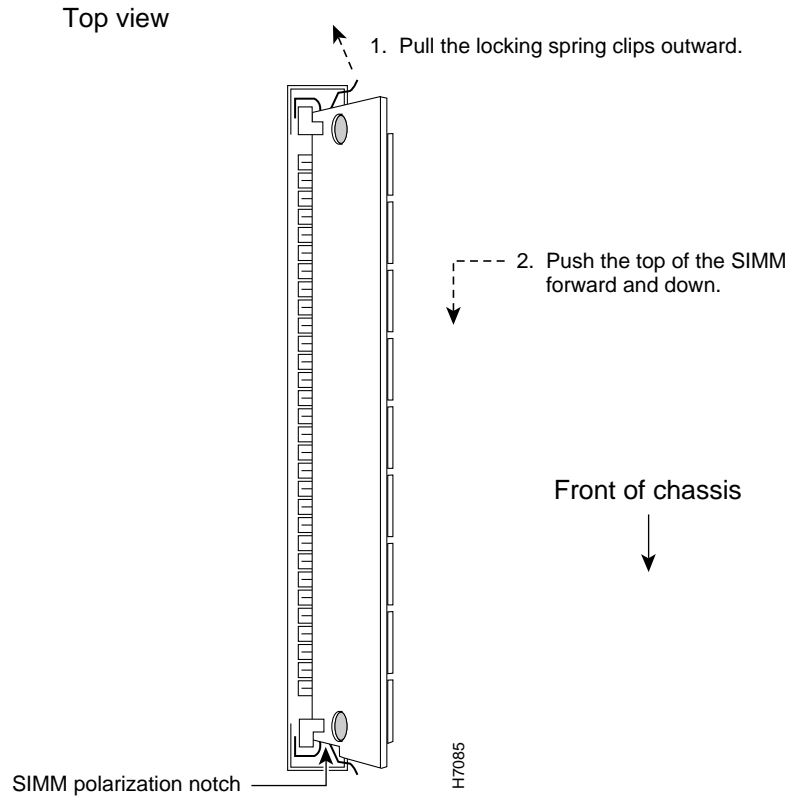


Caution

Handle SIMMs by the non-connector edges only. SIMMs are ESD-sensitive components and can be damaged by mishandling.

- Step 3** To lift the Flash memory SIMM out of its socket, pull the locking spring clips on both sides outward and tilt the SIMM toward the left side of the chassis, free of the clips. (See [Figure 5-17](#).)

Figure 5-17 Removing Flash Memory SIMMs



Installing Flash Memory SIMMs

Perform this procedure to install Flash memory SIMMs:

Step 1 Locate the Flash memory SIMM sockets on the mainboard. (See [Figure 5-14](#) through [Figure 5-16](#).)



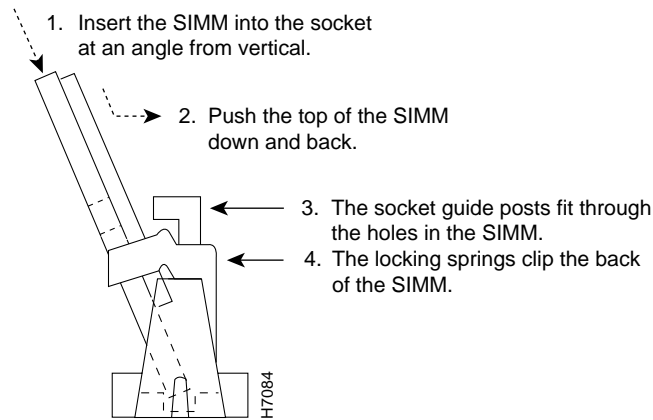
Caution Handle SIMMs by the non-connector edges only. SIMMs are ESD-sensitive components and can be damaged by mishandling.

Step 2 Hold the SIMM with the polarization notch on the right and the component side away from you, with the connector edge at the bottom.

Step 3 Beginning with bank 0, insert the Flash memory SIMM into its connector slot at an angle, tilted toward the left side of the chassis. (See [Figure 5-18](#).) Rock the SIMM into a vertical position using the minimum amount of force required. When the SIMM is properly seated, the socket guide posts fit in the alignment holes, and the locking springs click into place. Use a minimum of force.

Figure 5-18 Inserting Flash Memory SIMMs

View from front of chassis

**Caution**

It is normal to feel some resistance, but do not use excessive force on the SIMM and do not touch the surface components to avoid damaging them.

- Step 4** Check the alignment of each SIMM to make sure that it is straight and that the alignment holes are lined up with the plastic socket guides.
- Step 5** When you finish replacing Flash memory SIMMs, and have installed all internal components, proceed to either of these sections:
- [Replacing the Cover on a Cisco 3620 or Cisco 3640 Router, page 5-30](#)
 - [Replacing the Cisco 3660 Mainboard Tray, page 5-33](#)

Replacing the ROM

Cisco 3620, Cisco 3640, and Cisco 3660

To upgrade the router ROM software to a new ROM monitor version, you must replace the existing ROM.

You will need the following tools:

- ROM extraction tool or a small flat-blade screwdriver
- Needlenose pliers
- One 32-pin plastic leaded chip carrier (PLCC) for removing the ROM chip from the Cisco 3660 mainboard

Follow this procedure to replace the ROM:

- Step 1** Attach an ESD-preventive wrist strap and ensure that it makes good contact with your skin. Connect the equipment end of the wrist strap to the metal backplane of the chassis, avoiding contact with the connectors.
- Step 2** Access the mainboard by following the procedures in one of the following sections:
- [Removing the Cisco 3620 or Cisco 3640 Router Cover, page 5-2](#)
 - [Removing the Cisco 3660 Mainboard Tray, page 5-5](#)

**Caution**

Correct placement of the ROM is crucial. If improperly positioned, the new component could be damaged when the router is powered on. Read all instructions before proceeding. To prevent damage to the ROM from ESD (when handling the router and its components), follow the ESD procedures described in the [“Preventing Electrostatic Discharge Damage”](#) section on page 2-2. Be careful not to damage or scratch the printed circuit card under the ROM.

- Step 3** Locate the ROM on the mainboard. (See [Figure 5-19](#) through [Figure 5-21](#).)

Figure 5-19 ROM Location on the Cisco 3620 Mainboard

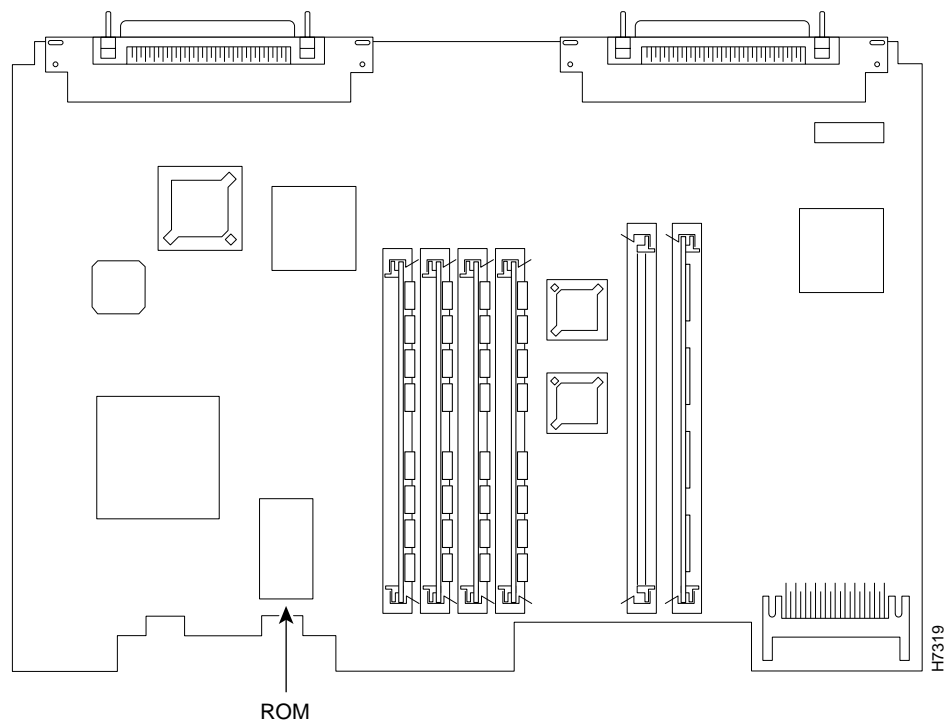


Figure 5-20 ROM Location on the Cisco 3640 Mainboard

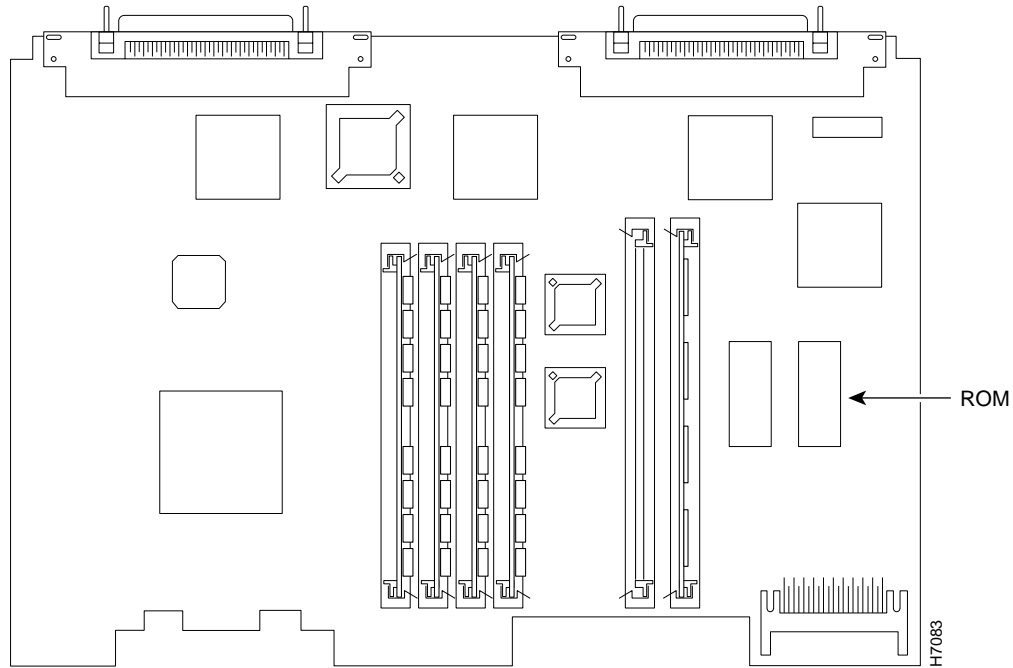
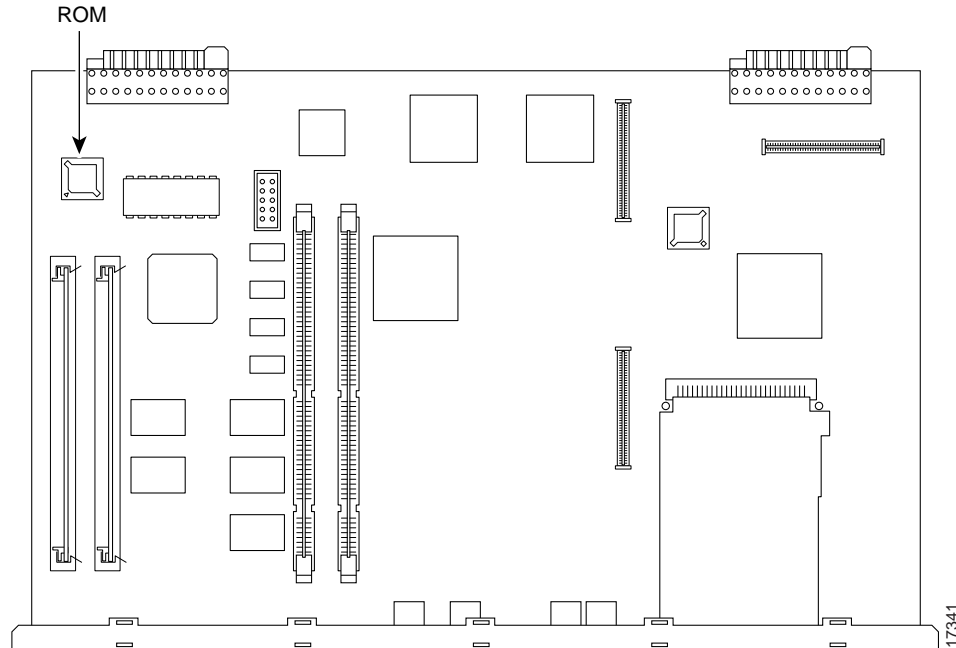


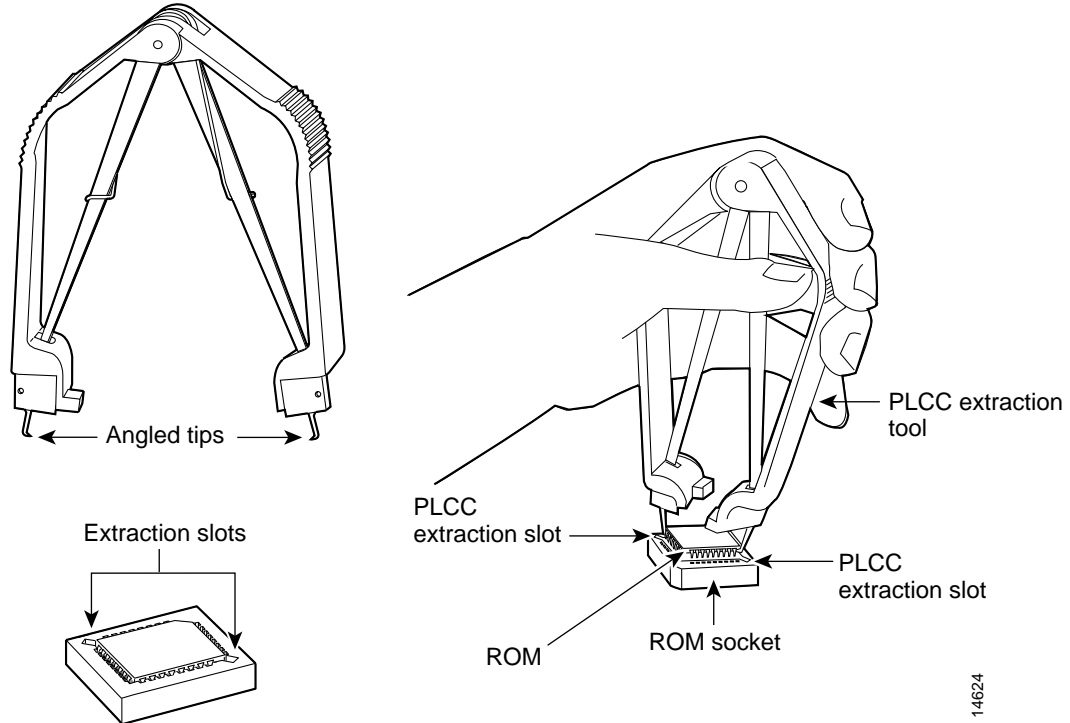
Figure 5-21 ROM Location on the Cisco 3660 Mainboard



Step 4 If you have a Cisco 3620 or Cisco 3640 router, gently remove the old ROM with a ROM extraction tool or a small flat-blade screwdriver, and set it aside.

If you have a Cisco 3660 router, gently remove the old ROM with a 32-pin PLCC extractor, and set it aside. (See [Figure 5-22](#).)

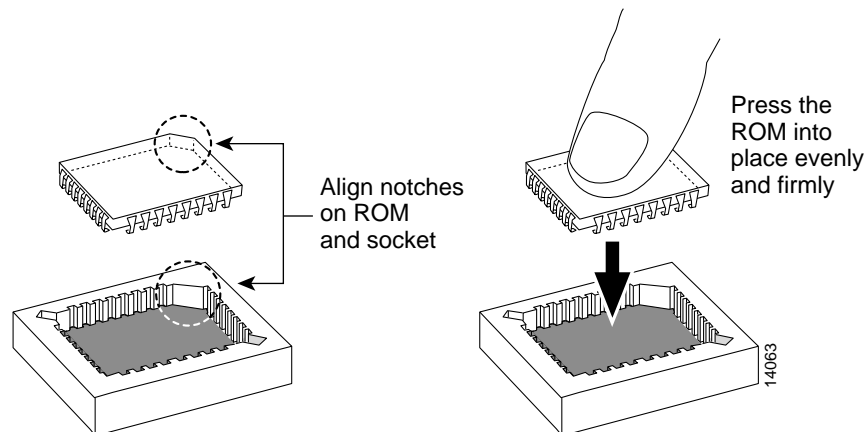
Figure 5-22 Removing the ROM from the Cisco 3660 Mainboard



Step 5 For a Cisco 3620 or Cisco 3640 router, orient and insert the new ROM in its socket (shown in [Figure 5-19](#) and [Figure 5-20](#)), being careful to not bend or crush any of the bottom pins. To straighten out a bent pin, use needlenose pliers. Align the notch in the new ROM with the notch in the ROM socket, ignoring the orientation of the label.

For a Cisco 3660 router, orient and insert the new ROM in its socket as shown in [Figure 5-23](#), being careful to not bend or crush any of the bottom pins. To straighten out a bent pin, use needlenose pliers. Align the notch in the new ROM with the notch in the ROM socket, ignoring the orientation of the label.

Figure 5-23 Installing the ROM in the Cisco 3660 Mainboard



**Caution**

The notch on the ROM must match the notch on the mainboard socket. Installing the ROM backward will damage the ROM, the router, or both.

When you finish replacing the ROM and have installed all internal components, proceed to:

- [Replacing the Cover on a Cisco 3620 or Cisco 3640 Router, page 5-30](#)
- [Replacing the Cisco 3660 Mainboard Tray, page 5-33](#)

Testing ROM Installation

Test your installation by rebooting the router. If you installed the ROM correctly, the router will boot into the ROM monitor or the Cisco IOS software.

If you suspect that the ROM is inserted incorrectly, remove and reinstall the ROM as described in the [“Replacing the ROM” section on page 5-24](#). Reboot the router again.

If you are still having problems after following the steps in this procedure, refer to [Appendix A, “Troubleshooting.”](#)

Cisco 3631

The boot flash device on the Cisco 3631 router is a 1 MB, fixed flash device that is not field-replaceable. The ROM image can be upgraded by downloading new software. The first image in ROM is read-only and cannot be erased and the upgrade image is a read-write image that is stored in ROM flash as the second image. You can configure the router to boot from either image.

In order to upgrade the ROM on the Cisco 3631, you will need to have a ROM image file available to copy from a remote server or internal flash memory.

Perform this procedure to upgrade the Cisco 3631 ROM from a TFTP server:

Step 1 Copy the ROM image from the TFTP server:

```
Router # upgrade rom-monitor file tftp://172.19.169.99/rommon_file.srec
Loading rommon_file.srec from 172.19.169.99 (via FastEthernet0/0):
!!!!!!!!!!!!!!!!!!!!!!!!!!!!!!!!!!!!!!!!!!!!!!!!!!!!!!!!!!!!!!!!!!!!!!!!!!!!!!
!!!!!!!!!!!!!!!!!!!!!!!!!!!!!!!!!!!!!!!!!!!!!!!!!!!!!!!!!!!!!!!!!!!!!!!!!!!!!!
[OK - 651041/1301504 bytes]
Router #
This command will reload the router. Continue? [yes/no]: y
ROMMON image upgrade in progress
Erasing boot flash eeeeeeeeeeeeeeeeeeeeeeeeeeeeeeeeeeeeeeeeeeeeeeeeeeee
Programming boot flash pppp

Now Reloading
System Bootstrap, Version 12.2(4r)XT1, RELEASE SOFTWARE (fc1)
TAC Support: http://www.cisco.com/tac
Copyright (c) 2001 by cisco Systems, Inc.

Running new upgrade for first time

System Bootstrap, Version 12.2(4r)XT1, RELEASE SOFTWARE (fc1)
TAC Support: http://www.cisco.com/tac
```

```
Copyright (c) 2001 by cisco Systems, Inc.  
c3745 processor with 131072 Kbytes of main memory  
Main memory is configured to 64 bit mode with parity disabled
```

```
Upgrade ROMMON initialized
```

Step 2 Reboot the router using the new ROM image:

```
Router # reload  
This command will reload the router. Continue? [yes/no]: y
```

Step 3 Verify the ROM version:

```
Router # show rom-monitor  
  
ReadOnly ROMMON version:  
  
System Bootstrap, Version 12.2(4r)XT1, RELEASE SOFTWARE (fc1)  
TAC Support: http://www.cisco.com/tac  
Copyright (c) 2001 by cisco Systems, Inc.  
  
Upgrade ROMMON version:  
  
System Bootstrap, Version 12.2(4r)XT1, RELEASE SOFTWARE (fc1)  
TAC Support: http://www.cisco.com/tac  
Copyright (c) 2001 by cisco Systems, Inc.  
  
Currently running ROMMON from Upgrade region  
ROMMON from Upgrade region is selected for next boot
```

Step 4 Select the ROM image for next reboot:

```
Router # upgrade rom-monitor preference [readonly | upgrade]  
You are about to mark Upgrade region of ROMMON for the highest boot preference.  
Proceed? [confirm] y  
Done! Router must be reloaded for this to take affect.
```

Closing the Router



Caution

Before closing the router make sure that all cables are securely tucked in and are not in danger of being pinched or cut.

Replacing the Cover on a Cisco 3620 or Cisco 3640 Router

This section describes how to replace the router cover. You need a number 2 Phillips screwdriver to perform this procedure:

- Step 1 Place the chassis so the front panel faces you.
- Step 2 Hold the cover so the tabs at the rear of the cover are aligned with the chassis bottom. (See [Figure 5-24](#) or [Figure 5-25](#).)

Figure 5-24 Replacing the Cisco 3620 Router Cover

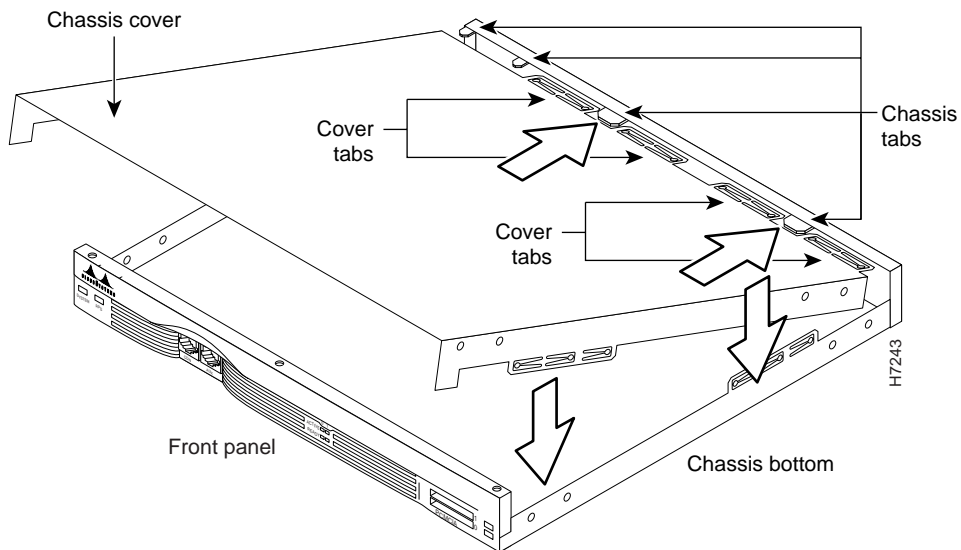
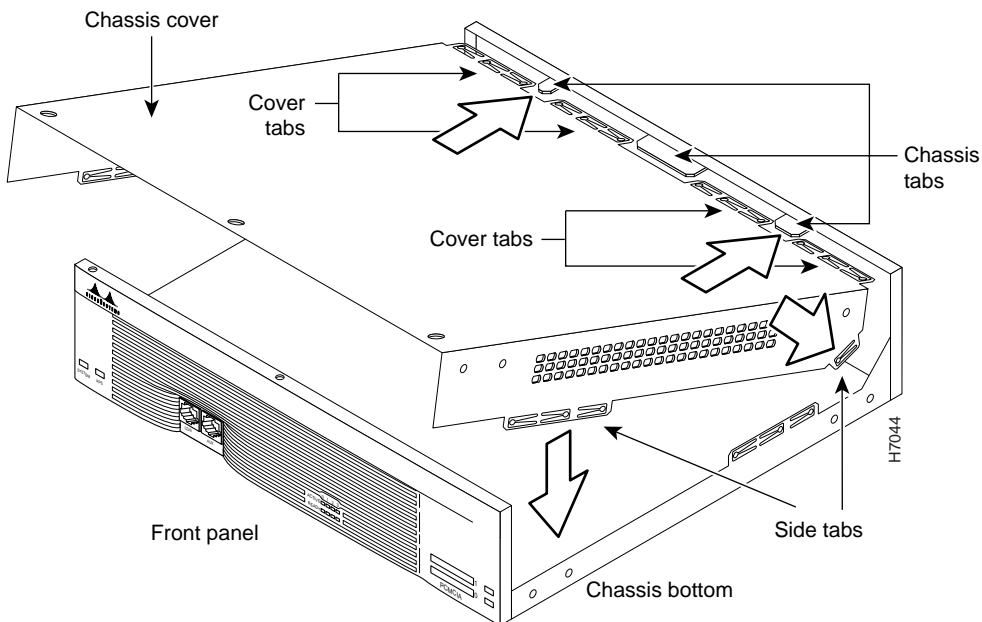


Figure 5-25 Replacing the Cisco 3640 Router Cover



- Step 3** Push the cover toward the rear, making sure that the cover tabs fit under the chassis back panel, and the back panel tabs fit under the top cover.
- Step 4** Lower the front of the cover onto the chassis, making sure that the side tabs on the cover fit inside the chassis side panels, and the chassis tabs fit under the cover side panels.
- Step 5** Fasten the cover with the three screws you set aside in [Step 3](#) of the “[Removing the Cisco 3620 or Cisco 3640 Router Cover](#)” section on page 5-2.
- Step 6** Reinstall the chassis on a rack, wall, or desktop.
- Step 7** Reinstall network interface cables.
- Step 8** Power ON the router.

**Warning**

After wiring the DC power supply, remove the tape from the circuit breaker switch handle and reinstate power by moving the handle of the circuit breaker to the ON position. To see translations of the warnings that appear in this publication, refer to the *Regulatory Compliance and Safety Information* document that accompanied this device.

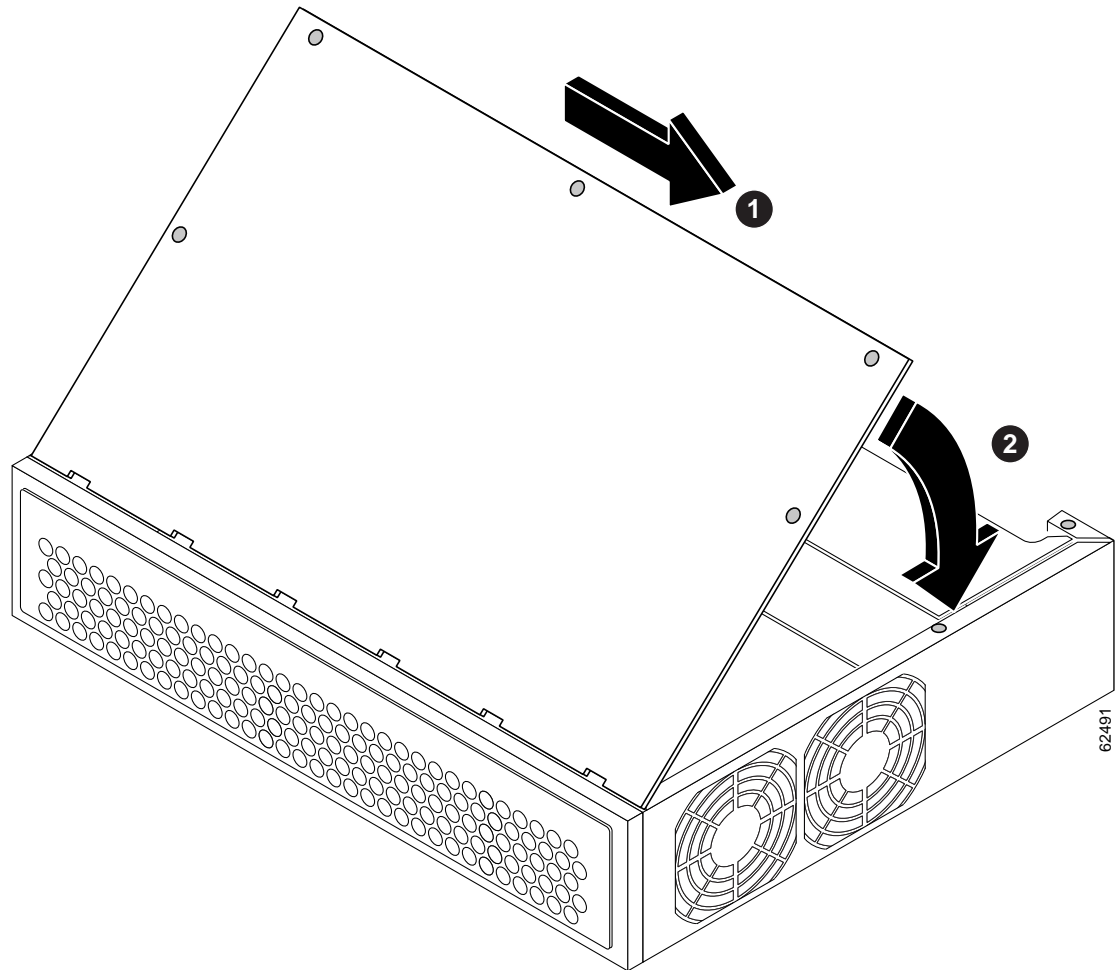
Replacing the Cover on a Cisco 3631 Router

**Caution**

Before reinstalling the cover on the router, make sure that all cables are securely tucked in and are not in danger of being pinched or cut.

- Step 1** Place the chassis on a flat surface.
- Step 2** Hold the cover at a 45-degree angle, and insert the tabs into the slots along the front (bezel) edge of the chassis. (See [Figure 5-26](#).)
- Step 3** Center the cover over the chassis and lower it onto the chassis.

Figure 5-26 Replacing the Cisco 3631 Router Cover



1	Insert tabs and slide cover	2	Close cover
---	-----------------------------	---	-------------

- Step 4 Reinstall the cover screws.
- Step 5 Reinstall the chassis on a rack or desktop.
- Step 6 Reconnect network interface cables.
- Step 7 Power ON the router.

**Warning**

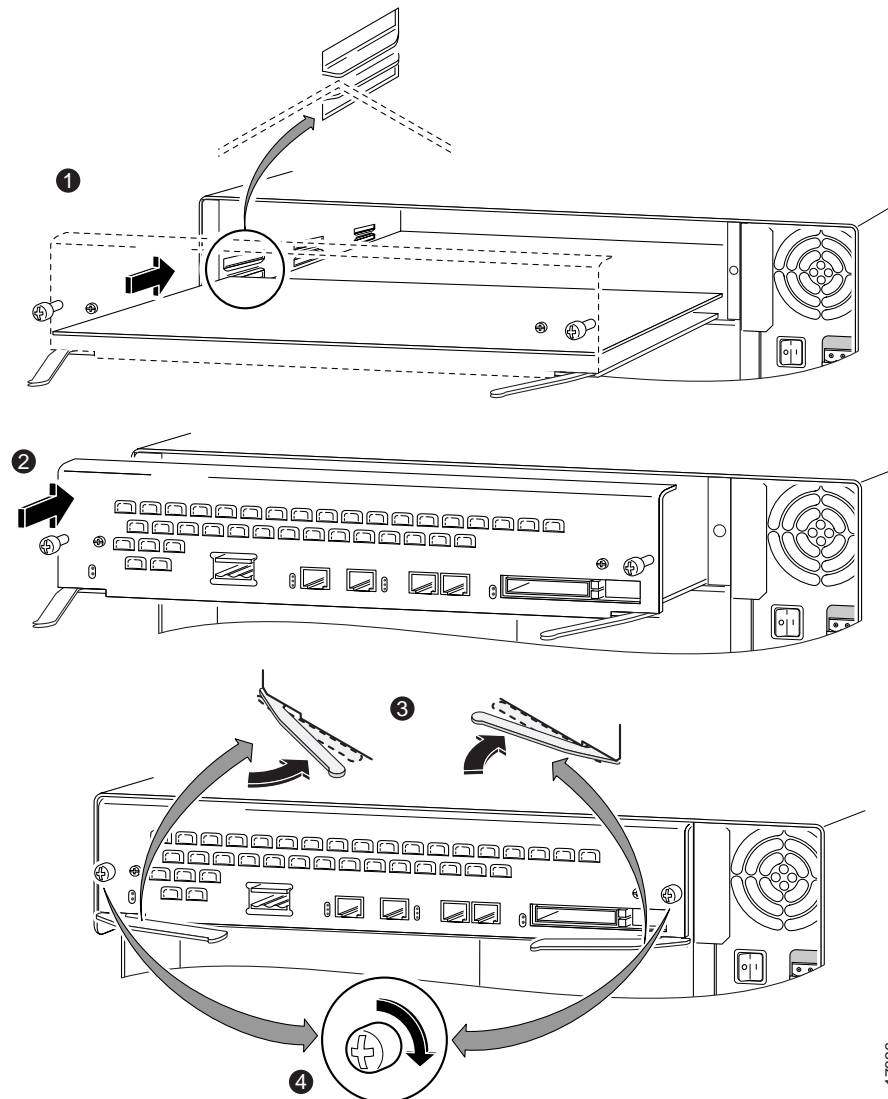
After wiring the DC power supply, remove the tape from the circuit breaker switch handle and reinstate power by moving the handle of the circuit breaker to the ON position. To see translations of the various warnings that appear in this publication, refer to the Regulatory Compliance and Safety Information document that accompanied this device.

Replacing the Cisco 3660 Mainboard Tray

This section describes how to replace the mainboard tray. You need a number 2 Phillips screwdriver to perform this procedure:

- Step 1** Place the chassis so the rear panel faces you.
- Step 2** Hold the tray so that the tabs at the tray's lower corners are aligned with the ledge in the chassis opening. (See part 1 of [Figure 5-27](#).)

Figure 5-27 Replacing the Cisco 3660 Mainboard Tray



- Step 3** Slide the mainboard tray into the chassis until firm contact is made with the backplane. (See part 2 in [Figure 5-27](#).)
- Step 4** Push the levers at the lower corners of the mainboard inward. (See part 3 in [Figure 5-27](#).)

- Step 5** Tighten the two captive screws previously loosened in [Step 3](#) of the “[Removing the Cisco 3660 Mainboard Tray](#)” section on page 5-5. (See part 4 in [Figure 5-27](#).)
- Step 6** Reinstall the chassis on a rack or desktop.
- Step 7** Reconnect network interface cables.
- Step 8** Power ON the router.
-

If the router does not power on, see [Appendix A, “Troubleshooting.”](#)

Installing and Configuring Flash Memory Cards in Cisco 3620, Cisco 3640, and Cisco 3660 Routers

This section describes how to install Flash memory cards in the Cisco 3620, Cisco 3640, and Cisco 3660 routers and includes selected configuration examples for common procedures. For further configuration information, refer to the Cisco IOS configuration guides and command references.

This section includes the following subsections:

- [Installing a Flash Memory Card, page 5-34](#)
- [Removing a Flash Memory Card, page 5-37](#)
- [Partitioning a Flash Memory Card, page 5-38](#)
- [Displaying the Contents of a Flash Memory Card, page 5-39](#)
- [Copying a File from System Flash Memory to a Flash Memory Card, page 5-39](#)
- [Copying a Running Configuration File to a Flash Memory Card, page 5-40](#)
- [Copying a File from a Flash Memory Card to System Flash Memory, page 5-41](#)
- [Copying a File Between Slots, page 5-41](#)
- [Booting from a Flash Memory Card, page 5-42](#)
- [Erasing the Contents of a Flash Memory Card, page 5-43](#)



Caution

Before starting any procedures in this section, follow the ESD guidelines described in the “[Preventing Electrostatic Discharge Damage](#)” section on page 2-2.

Installing a Flash Memory Card

The router includes two Personal Computer Memory Card International Association (PCMCIA) slots. You can install 4-MB, 8-MB, or 16-MB Flash memory cards in these slots.



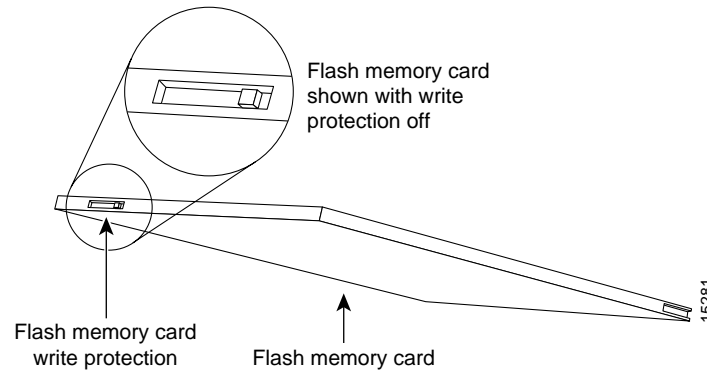
Note

The PCMCIA slots are also compatible with Cisco 1000 series fast Flash memory cards.

Perform this procedure to install a Flash memory card:

- Step 1** Verify that the Flash memory card's write-protect switch is OFF. The write-protect switch is at the top left edge of the card, when you view it with the label side toward you. (See [Figure 5-28](#).)

Figure 5-28 Setting the Write-Protect Switch



- Step 2** Locate the PCMCIA slots, labeled 1 and 0, at the bottom right corner of the front panel of the chassis. (See [Figure 5-29](#) and [Figure 5-30](#).)



Note You can install a single Flash memory card in either slot, and you can install Flash memory cards in both slots.

- Step 3** For Cisco 3620 and Cisco 3640 routers, insert the connector end of the Flash memory card, label side up, into one of the PCMCIA slots until the card is seated in the connector. (See [Figure 5-29](#).)



Note In Cisco 3620 and Cisco 3640 routers, the card does not fit completely into the router; part of the card projects from the slot.

For Cisco 3660 routers, rotate the ejector button outward, and then insert the connector end of the Flash memory card, label side up, into the PCMCIA slot until the card is seated in the connector. (See [Figure 5-30](#).)

- Step 4** For Cisco 3660 routers, rotate the ejector button back in, to prevent accidental ejection of the card.

Figure 5-29 Installing a Flash Memory Card in a Cisco 3620 or Cisco 3640 Router

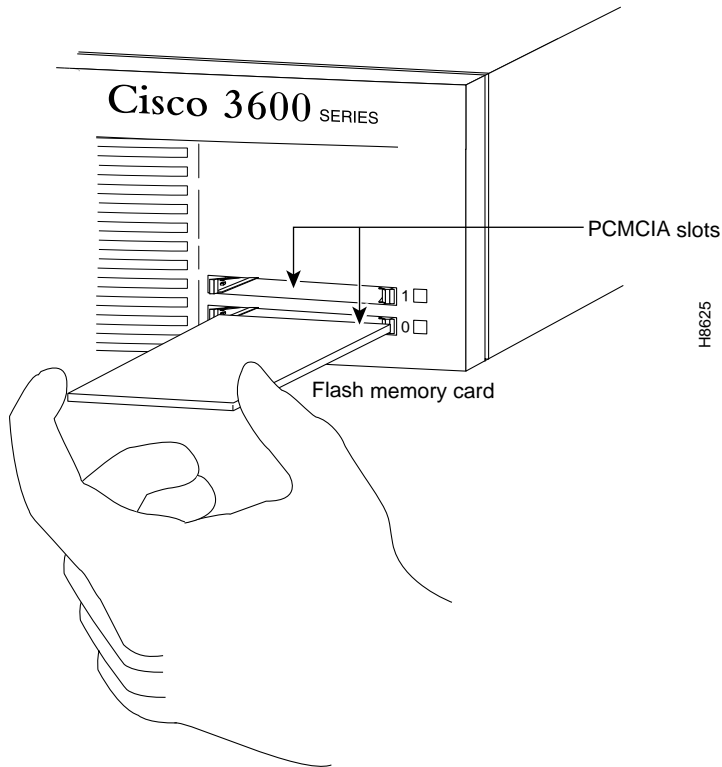
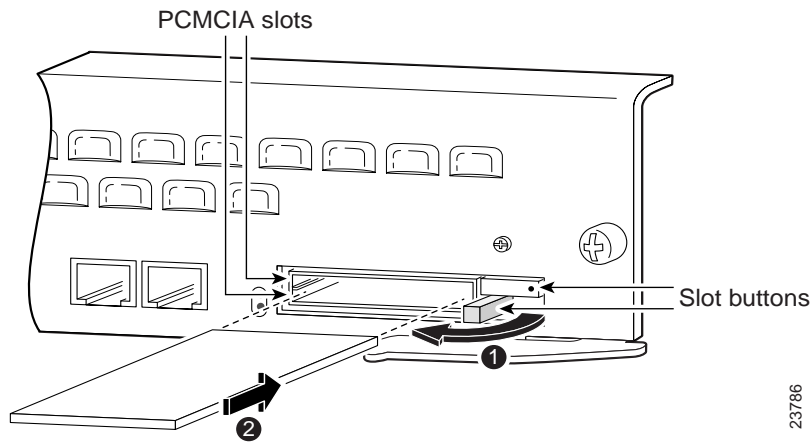


Figure 5-30 Installing a Flash Memory Card in a Cisco 3660 Router



Removing a Flash Memory Card

**Caution**

Do not remove the Flash memory card while it is performing a read or write operation, because the router will shut down.

Perform this procedure to remove a Flash memory card:

- Step 1** On Cisco 3620 and Cisco 3640 routers, grasp the card near the slot and pull it straight out. (See [Figure 5-31](#).)
- On Cisco 3660 routers, use the ejector button next to the Flash memory card to be removed. First rotate the ejector button outward, then press the ejector button to eject the card. (See [Figure 5-32](#).)
- Step 2** Place the removed Flash memory card on an antistatic surface or in a static shielding bag.

Figure 5-31 Removing a Flash Memory Card from a Cisco 3620 or Cisco 3640 Router

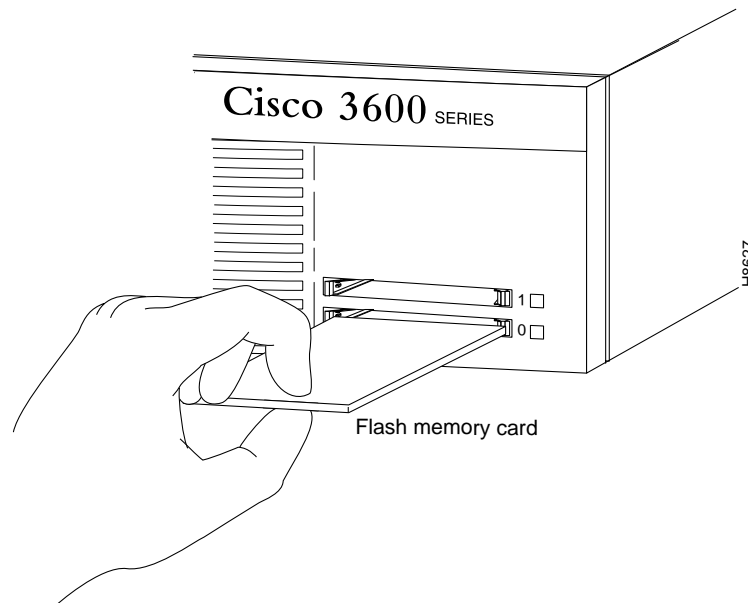
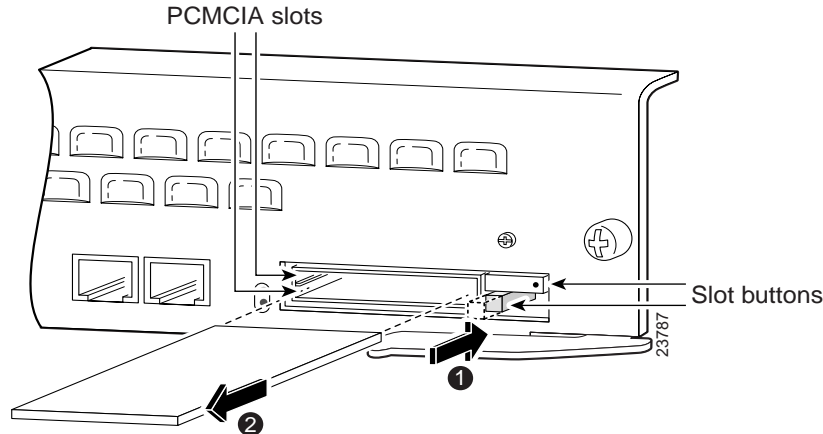


Figure 5-32 Removing a Flash Memory Card from a Cisco 3660 Router



Partitioning a Flash Memory Card

Flash memory cards ordered from Cisco Systems ship blank (without software installed). Before copying files to a Flash memory card, you might want to partition it.

Perform this procedure to partition a Flash memory card:

Step 1 Enter privileged EXEC mode:

```
Router> enable
Password: <password>
```

Step 2 Enter global configuration mode:

```
Router# configure terminal
```

Step 3 Enter the **partition {slot0: | slot1:} [partition-number] [partition1-size] [partition2-size]** command:

```
Router(config)# partition slot1: 1 2 4
```

The partition size is expressed in megabytes (MB).



Note

If only one partition size is specified, or if the size(s) are out of acceptable range, the following error messages are displayed:

```
%Error: Too few partition size parameters
%Error: Requested partitions not valid
```

Displaying the Contents of a Flash Memory Card

To display the contents of a Flash memory card, enter the **show {slot0: | slot1:}** command, for example:

```
Router# show slot1:

PCMCIA Slot1 flash directory, partition 1:
File Length Name/status
  1 1933052 c3640-i-mz.111-6.3.AA
[1933116 bytes used, 6455492 available, 8388608 total]
8192K bytes of processor board PCMCIA Slot1 flash (Read/Write)

PCMCIA Slot1 flash directory, partition 2:
File Length Name/status
  1 3399444 c3640-j-mz.111-7.AA
[3399508 bytes used, 794796 available, 4194304 total]
4096K bytes of processor board PCMCIA Slot1 flash (Read/Write)

PCMCIA Slot1 flash directory, partition 3:
File Length Name/status
  1 2359 running-config
[2424 bytes used, 4191880 available, 4194304 total]
4096K bytes of processor board PCMCIA Slot1 flash (Read/Write)
```

Similarly, you can display the contents of system (onboard) Flash memory by entering the **show flash:** command.

Copying a File from System Flash Memory to a Flash Memory Card

You can use a Flash memory card to store a backup copy of a Cisco IOS image or other file. Follow these steps to copy a file from system (onboard) Flash memory to a Flash memory card:

Step 1 Enter privileged EXEC mode:

```
Router> enable
Password: <password>
```

Step 2 Enter the **copy flash:[partition:filename] {slot0: | slot1:}[partition:filename]** command. Replace *partition* with the partition number and *filename* with the name of the file, for example:

```
Router# copy flash:2:TESTFILE slot0:3:TESTFILE

PCMCIA Slot0 flash directory, partition 3:
No files in PCMCIA Slot0 flash
[0 bytes used, 4194304 available, 4194304 total]
Verifying checksum for 'TESTFILE' (file # 1)... OK
Erase flash device before writing? [confirm] n
```



Note If you omit the *partition* and *filename* variables, you are prompted for them.

- Step 3** Press **Return** or type **y** to erase the current contents of the partition, or enter **n** to save the contents. Then confirm your selection:

```
Copy 'TESTFILE' from flash: device
  as 'TESTFILE' into slot0: device WITHOUT erase? [yes/no] y
!
[OK - 68/4194304 bytes]

Flash device copy took 00:00:05 [hh:mm:ss]
Verifying checksum... OK (0x4ACD)
```

Copying a Running Configuration File to a Flash Memory Card

You can also use a Flash memory card to store a backup copy of a configuration file. Follow these steps to copy a configuration file to a Flash memory card:

- Step 1** Enter privileged EXEC mode:

```
Router> enable
Password: <password>
```

- Step 2** Enter the **copy running-config {slot0: | slot1:}[partition:filename]** command. Replace *partition* with the partition number and *filename* with the name of the file, for example:

```
Router# copy running-config slot0:3:myconfig

PCMCIA Slot0 flash directory, partition 3:
File Length Name/status
  1 68 TESTFILE
[132 bytes used, 4194172 available, 4194304 total]
Building configuration...
```

```
Erase flash device before writing? [confirm] n
```



Note If you omit the *partition* and *filename* variables, you are prompted for them.

- Step 3** Press **Return** or enter **y** to erase the current contents of the partition, or enter **n** to save the contents. Then confirm your selection:

```
Copy 'running-config'
  as 'myconfig' into flash device WITHOUT erase? [yes/no] y
!
[OK - 922/4194172 bytes]

Verifying checksum... OK (0xC4D4)
Flash device copy took 00:00:00 [hh:mm:ss]
```

Copying a File from a Flash Memory Card to System Flash Memory

You can copy files from a Flash memory card to system (onboard) Flash memory (for instance, when restoring a backup). Follow these steps to copy a file from a Flash memory card to system Flash memory:

Step 1 Enter privileged EXEC mode:

```
Router> enable
Password: <password>
```

Step 2 Enter the **copy {slot0: | slot1:}[partition:filename] flash:[partition:filename]** command. Replace *partition* with the partition number and *filename* with the name of the file, for example:

```
Router# copy slot0:3:TESTFILE flash:2:TESTFILE2

System flash directory, partition 2:
File Length Name/status
  1   68 TESTFILE
  2 3399444 myfile
[3399640 bytes used, 794664 available, 4194304 total]
Verifying checksum for 'TESTFILE' (file # 1)... OK
Erase flash device before writing? [confirm] n
```



Note If you omit the *partition* and *filename* variables, you are prompted for them.

Step 3 Press **Return** or type **y** to erase the current contents of the partition, or enter **n** to save the contents. Then confirm your selection:

```
Copy 'TESTFILE' from slot0: device
  as 'TESTFILE2' into flash: device WITHOUT erase? [yes/no] y
!
[OK - 68/794664 bytes]

Flash device copy took 00:00:04 [hh:mm:ss]
Verifying checksum... OK (0x4ACD)
```

Copying a File Between Slots

This section describes how to copy a file from one Flash memory card to another Flash memory card in the other slot.



Note The source and destination slots cannot be the same. For example, if the source file is on the card in slot 0, you cannot copy the file to the same card in slot 0.

Follow these steps to copy a file between two slots:

Step 1 Enter privileged EXEC mode as follows:

```
Router> enable
Password: <password>
```

Step 2 Insert the Flash memory card that contains the source file into the slot labeled 0.

Step 3 Insert a second Flash memory card into the slot labeled 1. This card does not have to be partitioned.

- Step 4** Enter the `copy {slot0: | slot1:}[partition:filename]{slot0: | slot1:} [partition:filename]` command to copy a file from one slot to the other. In the following example, there are no partitions on the destination Flash memory card:

```
Router# copy slot0:3:TESTFILE slot1:

PCMCIA Slot1 flash directory:
File Length Name/status
  1 1783471 FILE1
[1783536 bytes used, 313616 available, 2097152 total]
Destination file name [TESTFILE]?
Verifying checksum for 'TESTFILE' (file # 1)... OK
Erase flash device before writing? [confirm] n
```



Note If you omit the *partition* and *filename* variables, you are prompted for them.

- Step 5** Press **Return** or enter **y** to erase the current contents of the destination partition (if any), or enter **n** to save the contents. Then confirm your selection:

```
Copy 'TESTFILE' from slot0: device
  as 'TESTFILE' into slot1: device WITHOUT erase? [yes/no] y
!
[OK - 68/313616 bytes]

Flash device copy took 00:00:05 [hh:mm:ss]
Verifying checksum... OK (0x4ACD)
```

Booting from a Flash Memory Card

You can configure the router to boot from a Cisco IOS image on the Flash memory card, rather than from system Flash memory. The router boots the image on the Flash memory card, copies the image to onboard DRAM, and then executes the image from DRAM. The router does not execute the image directly from the Flash memory card.

Follow these steps to specify the image on the Flash memory card as the boot image:

- Step 1** Enter privileged EXEC mode:

```
Router> enable
Password: password
```

- Step 2** Enter global configuration mode:

```
Router# configure terminal
```

- Step 3** Enter the **boot system flash {slot0: | slot1:}[partition:filename]** command to specify the boot image location and name. In the following example, the boot image is located on the Flash memory card in the 0 slot, partition 3, and the filename is new.image:

```
Router(config)# no boot system
Router(config)# boot system flash slot0:3:new.image
```



Note If you omit the *partition* and *filename* variables, you are prompted for them.

- Step 4** Set the configuration register to 0x2102 (the default setting), which indicates that the router should attempt to boot a Cisco IOS image from Flash memory:

```
Router(config)# config-register 0x2102
```

- Step 5** Exit global configuration mode:

```
Router(config)# exit
```

- Step 6** Enter the **copy running-config startup-config** command to save the configuration changes to NVRAM.

- Step 7** Enter the **reload** command to reload the router. When the router reloads, it will boot the image new.image from the Flash memory card in slot 0.
-

Erasing the Contents of a Flash Memory Card

To erase a partition or the entire contents of a Flash memory card, enter the command **erase {slot0: | slot1:} [partition:]**. Replace *partition* with the partition number. You cannot specify a filename. The following example erases the contents of partition 2 of the card in slot 1.



Note Cisco recommends first displaying the contents of the partition that you plan to erase.

```
Router# show slot1:

PCMCIA Slot1 flash directory, partition 1:
File Length Name/status
1 1583 test1
[1648 bytes used, 4192656 available, 4194304 total]
4096K bytes of processor board PCMCIA Slot1 flash (Read/Write)

PCMCIA Slot1 flash directory, partition 2:
File Length Name/status
1 1611 running-config
2 1583 configfile
[3324 bytes used, 4190980 available, 4194304 total]
4096K bytes of processor board PCMCIA Slot1 flash (Read/Write)

Router# erase slot1:2:
Erasing the slot1:2 filesystem will remove all files! Continue? [confirm]
Erasing device... eeeeeeeeeeeeeeeeeeeeeeeeeeeeeeeeeeeeeee ...erased
Erase of slot1:2: complete
```

Installing and Formatting Compact Flash Memory Cards in Cisco 3631 Routers

This section describes how to install Compact Flash memory cards in Cisco 3631 routers, how to format the cards into a Class B Flash file system (low end file system) or a Class C Flash file system (similar to DOS), and how to perform file and directory operations in each file system. In Cisco 3631 routers, the Compact Flash memory card mounts on a connector on the CPU/mainboard. You can install a Compact Flash memory card with 32-, 64-, or 128-MB of memory.

This document contains the following sections:

- [Preventing Electrostatic Discharge Damage, page 5-44](#)
- [Tools and Equipment Needed, page 5-44](#)
- [Compact Flash Memory Card Installation and Removal, page 5-45](#)
- [Formatting Procedures for Compact Flash Memory Cards, page 5-49](#)
- [File and Directory Procedures, page 5-51](#)

Preventing Electrostatic Discharge Damage

Compact Flash memory cards are sensitive to electrostatic discharge (ESD) damage. ESD damage, which can occur when electronic cards or components are handled improperly, results in complete or intermittent failures.

Follow these guidelines to prevent ESD damage:

- Always use an ESD wrist or ankle strap and ensure that it makes good skin contact.
- Connect the equipment end of the strap to an unfinished chassis surface.
- Place a removed Compact Flash memory card on an antistatic surface or in a static shielding bag. If the card will be returned to the factory, immediately place it in a static shielding bag.
- Avoid contact between the card and clothing. The wrist strap protects the card from ESD voltages on the body only; ESD voltages on clothing can still cause damage.
- Do not remove the wrist strap until the installation is complete.



Caution

For safety, periodically check the resistance value of the antistatic strap. The measurement should be between 1 and 10 megohms (Mohms).

Tools and Equipment Needed

You need the following tools and equipment to remove and install Compact Flash memory cards:

- ESD-preventive wrist strap
- Antistatic bag or mat
- Number 2 Phillips screwdriver or flat blade screwdriver

Compact Flash Memory Card Installation and Removal

Perform the procedure below for installing or removing a Compact Flash memory card mounted internally on the router CPU/mainboard. To access the internal Compact Flash memory card, you need to remove the chassis cover.

Removing the Chassis Cover

This section describes how to remove the chassis cover to access the Compact Flash memory card. You need a number 2 Phillips or flat-blade screwdriver to perform this procedure.

Observe the following precaution if your router uses AC or DC power:



Do not touch the power supply when the power cord is connected. For systems with a power switch, line voltages are present within the power supply even when the power switch is OFF and the power cord is connected. For systems without a power switch, line voltages are present within the power supply when the power cord is connected. To see translations of the various warnings that appear in this publication, refer to the Regulatory Compliance and Safety Information document that accompanied this device.

Observe the following precaution if your router uses DC power:



Before performing any of the following procedures, ensure that power is removed from the DC circuit. To ensure that all power is OFF, locate the circuit breaker on the panel board that services the DC circuit, switch the circuit breaker to the OFF position, and tape the switch handle of the circuit breaker in the OFF position. To see translations of the various warnings that appear in this publication, refer to the Regulatory Compliance and Safety Information document that accompanied this device.

Perform the following procedure to remove the chassis cover:

Step 1 Power OFF the router. However, to channel ESD voltages to ground, do not unplug the power cable.



Before opening the chassis, disconnect the telephone-network cables to avoid contact with telephone-network voltages. To see translations of the various warnings that appear in this publication, refer to the Regulatory Compliance and Safety Information document that accompanied this device.

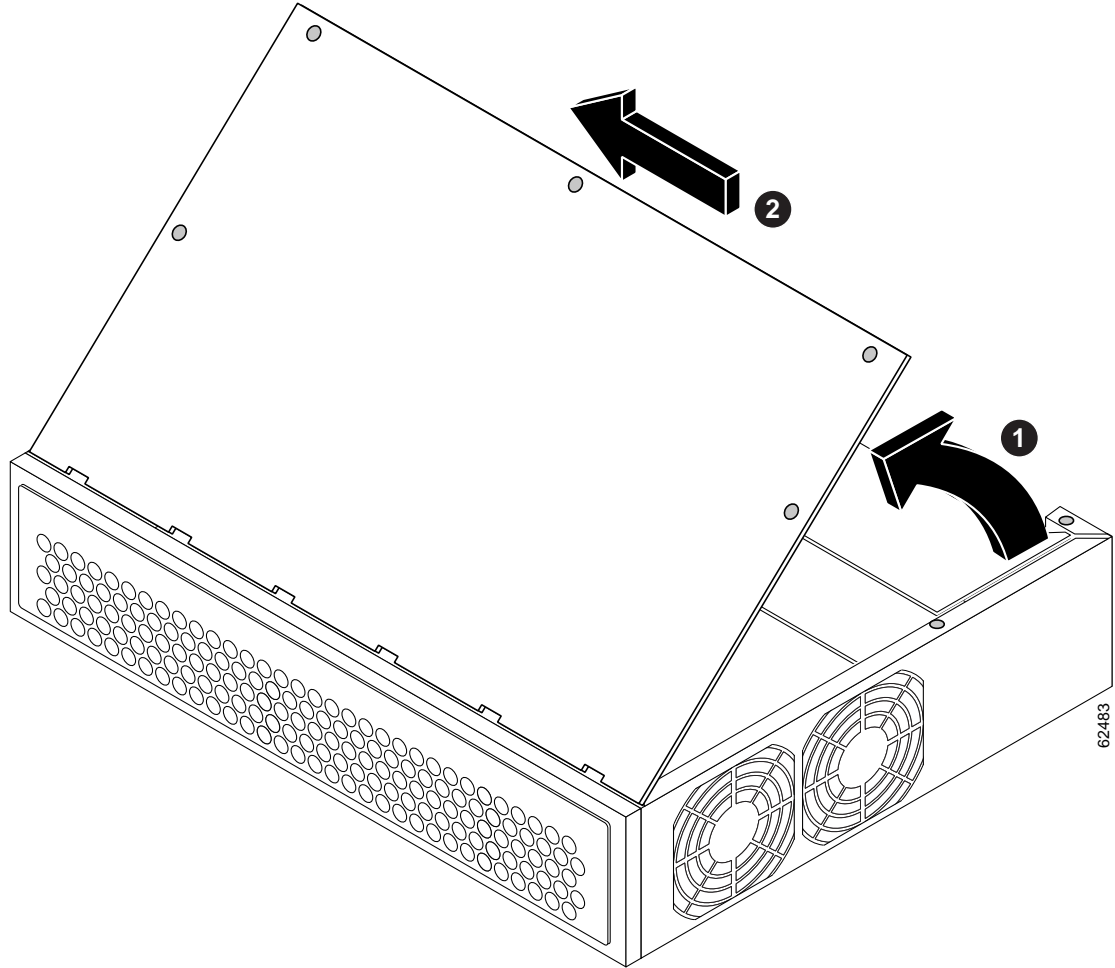
Step 2 Disconnect all network interface cables from the rear panel.

Step 3 Place the router on a flat surface. Remove the five screws located on top of the cover. Set the screws aside in a safe place.

Step 4 Rotate the cover up to a 45-degree angle. (See [Figure 33](#).)

- Slide the cover to the side (away from the side with the fans) until the tabs are free from the slots. (See [Figure 33](#).)

Figure 33 Removing the Cover from a Cisco 3631



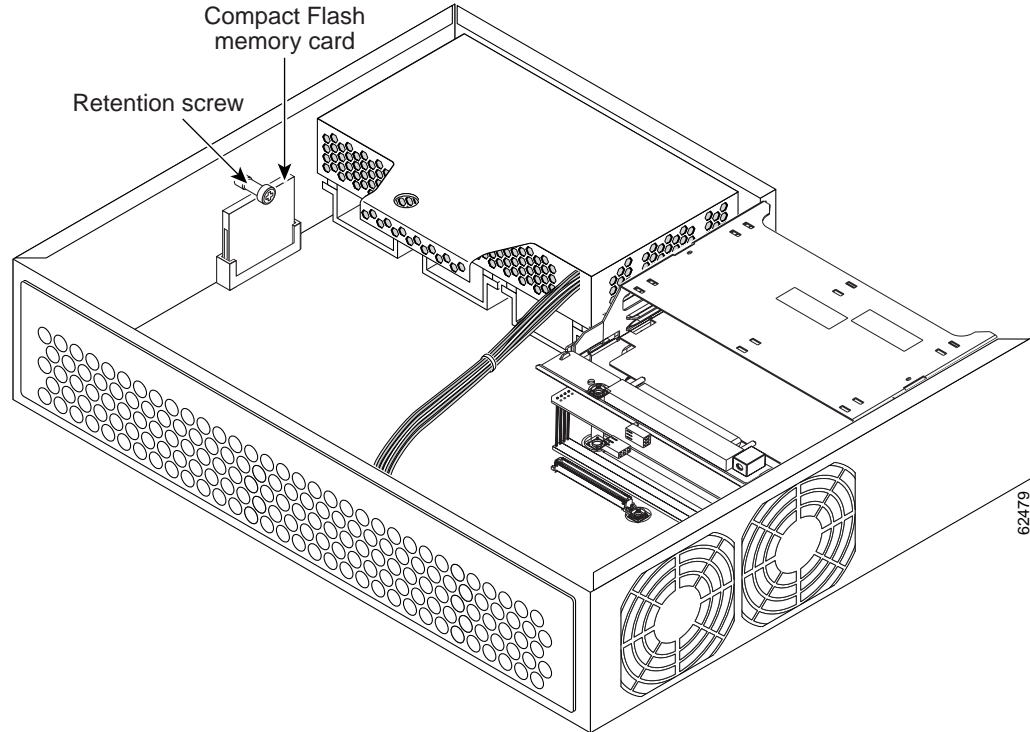
1	Lift cover	2	Slide cover
---	------------	---	-------------

Removing the Compact Flash Memory Card

After removing the chassis cover as described in the [“Removing the Cisco 3631 Router Cover”](#) section on page 5-3, perform the following steps to remove the Compact Flash memory card from the router:

- Step 1** Locate the Compact Flash memory card on the CPU/mainboard. (See [Figure 34](#).)

Figure 34 Compact Flash Memory Card Location in a Cisco 3631



- Step 2** Remove the retention screw that retains the Compact Flash memory card by using the Phillips screwdriver; save the retention screw for reinstallation.
- Step 3** Carefully pull the Compact Flash memory card free from the connector.
- Step 4** Place the removed Compact Flash memory card on an antistatic surface or in a static shielding bag.

Installing the Compact Flash Memory Card

You can install a Compact Flash memory card with 32-, 64-, or 128-MB of memory.

Perform the following steps to install the Compact Flash memory card:

- Step 1** Locate the Compact Flash memory-card connector on the CPU/mainboard. (See [Figure 34](#).)
- Step 2** Insert the connector end of the Compact Flash memory card into the connector until the card is seated in the connector. The card is keyed, so that it cannot be inserted wrong.
- Step 3** Reinstall the retention screw to retain the Compact Flash memory card.
- Step 4** Install the chassis cover as described in the [“Replacing the Cover on a Cisco 3620 or Cisco 3640 Router”](#) section on page 5-30.
- Step 5** Refer to the [“Formatting Procedures for Compact Flash Memory Cards”](#) section on page 5-49 for instructions on formatting the Compact Flash memory card.

Reinstalling the Cover

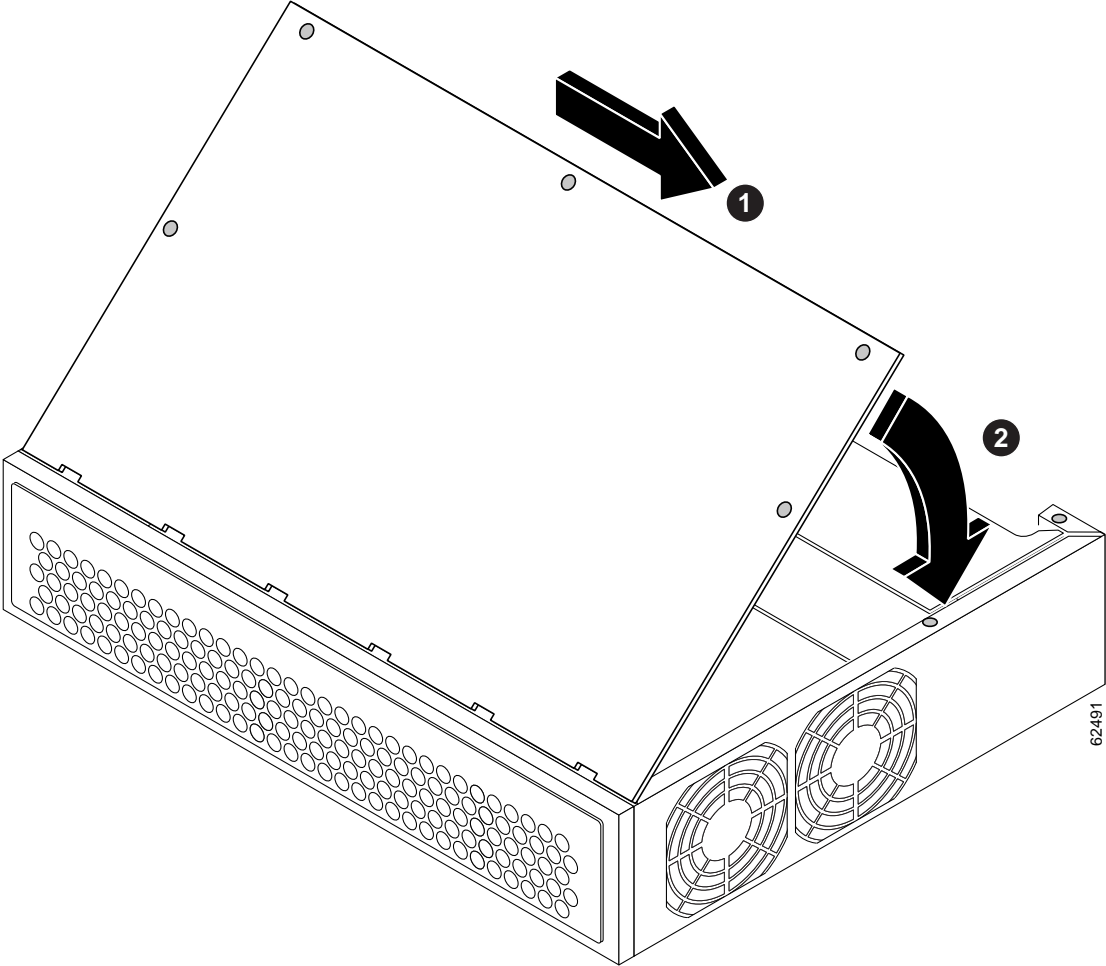

Caution

Before reinstalling the cover on the router, make sure that all cables are securely tucked in and are not in danger of being pinched or cut.

This section describes how to reinstall the router cover. You need a number 2 Phillips screwdriver or flat blade screwdriver to perform this procedure:

- Step 1** Place the chassis on a flat surface.
- Step 2** Hold the cover at a 45-degree angle, and insert the tabs into the slots along the front (bezel) edge of the chassis. (See [Figure 35](#).)
- Step 3** Center the cover over the chassis and lower it onto the chassis.

Figure 35 Replacing the Cover on a Cisco 3631



1	Insert tabs and slide cover	2	Close cover
----------	-----------------------------	----------	-------------

- Step 4** Reinstall the cover screws.
- Step 5** Reinstall the chassis on a rack or desktop.
- Step 6** Reconnect network interface cables.
- Step 7** Power ON the router.

**Warning**

After wiring the DC power supply, remove the tape from the circuit breaker switch handle and reinstate power by moving the handle of the circuit breaker to the ON position. To see translations of the various warnings that appear in this publication, refer to the Regulatory Compliance and Safety Information document that accompanied this device.

Formatting Procedures for Compact Flash Memory Cards

Cisco recommends that you format new Compact Flash memory cards to initialize them with either a Class B Flash file system or a Class C Flash file system. This ensures proper formatting and enables the ROM monitor to recognize and boot the Flash.

The Class B Flash file system is also known as the low end file system (LEFS).

The Class C Flash file system is similar to the standard DOS file system.

**Note**

A Compact Flash memory card formatted with the standard DOS file system does not support booting from the ROM monitor.

Determining the File System on a Compact Flash Memory Card

To determine the file system of a Compact Flash memory card in a Cisco 3631, enter the **show flash:** command.

If the content of the Compact Flash memory card displays, the card was formatted with a Class B Flash file system. If the geometry and format information of the card displays, the card was formatted with a Class C Flash file system.

The following example shows output for an internal Compact Flash memory card formatted with a Class C Flash file system:

```
Router# show flash:
***** ATA Flash Card Geometry/Format Info *****

ATA CARD GEOMETRY
Number of Heads:      2
Number of Cylinders  490
Sectors per Cylinder 32
Sector Size          512
Total Sectors        31360

ATA CARD FORMAT
Number of FAT Sectors 12
Sectors Per Cluster   8
Number of Clusters    3885
Number of Data Sectors 31264
Base Root Sector      152
```

```
Base FAT Sector      128
Base Data Sector    184
```

Please use "dir" command to display the contents of the card.

The following example shows output for an internal Compact Flash memory card formatted with a Class B Flash file system:

```
Router# show flash:

System CompactFlash directory:
File Length Name/status
1 5190020 c3631-i-mz
2 6458584 c3725-i-mz
3 16535740 c3631-telcoent-mz
[28184536 bytes used, 100266024 available, 128450560 total]
125440K bytes of ATA System CompactFlash (Read/Write)
```

Formatting Compact Flash Memory as a DOS File System

To format a Compact Flash memory card with a Class C Flash file system, use the **format** command.

To format a new internal Compact Flash memory card, or to remove the files from a previously installed internal Compact Flash memory card, enter the **format flash:** command.

The following example shows output for formatting an internal Compact Flash memory card formatted with a Class C Flash file system:

```
Router# format flash:
Format operation may take a while. Continue? [confirm]
Format operation will destroy all data in "flash:". Continue? [confirm]
Enter volume ID (up to 64 chars)[default flash]:
Current Low End File System flash card in flash will be formatted into DOS
File System flash card! Continue? [confirm]
Format:Drive communication & 1st Sector Write OK...
Writing Monlib sectors .....
Monlib write complete
..
Format:All system sectors written. OK...

Format:Total sectors in formatted partition:250592
Format:Total bytes in formatted partition:128303104
Format:Operation completed successfully.

Format of flash complete
```

Formatting Compact Flash Memory as a Class B Flash File System

To format a Compact Flash memory card with a Class B Flash file system (LEFS), use the **erase** command.

To format a new internal Compact Flash memory card, or to remove the files from a previously installed internal Compact Flash memory card, enter the **erase flash:** command.

The following example shows output for formatting an internal Compact Flash memory card with a Class B Flash file system:

```
Router# erase flash:
Erasing the flash filesystem will remove all files! Continue? [confirm]
Current DOS File System flash card in flash: will be formatted into Low
End File System flash card! Continue? [confirm]
Erasing device...
```

```

.....
.....
.....
.....
.....
.....
...erased
Erase of flash: complete

```

File and Directory Procedures

The following sections describe file and directory procedures for internal Compact Flash memory cards. File and directory procedures vary according to the formatted file system—Class B or Class C.

Procedures for Use with DOS File System

The following file and directory procedures are useful for Compact Flash memory cards formatted with a Class C Flash file system.

File Operations

Copy Files

To copy the files to another location, use the **copy flash: *source-filename* {flash: | tftp: | lex: | null: | nvram: | pram: | rcp: | system: | tftp: | xmodem: | ymodem: | running-config | startup-config} *destination-filename*** command.

The following example shows output for copying a configuration file to the startup configuration in an internal Compact Flash memory card (*flash:*):

```

Router# copy flash:my-config1 startup-config
Destination filename [startup-config]?
[OK]
517 bytes copied in 4.188 secs (129 bytes/sec)

```

The following example shows output for copying a configuration file to the running configuration in an internal Compact Flash memory card (*flash:*):

```

Router# copy flash:my-config2 running-config
Destination filename [running-config]?
709 bytes copied in 0.72 secs

```

Display the Contents of a Compact Flash Card

To display the contents (directories and files) of a Compact Flash memory card formatted with a Class C Flash file system, use the **dir flash:** command.

The following example shows output for displaying the contents of a Compact Flash memory card with a Class C Flash file system:

```
Router# dir flash:
Directory of flash:/

   3  -rw-     6455048   Mar 01 2001 00:04:06  c3725-i-mz
1579 -rw-     6458584   Mar 01 2001 00:24:38  c3725-i-mz.new

15912960 bytes total (2998272 bytes free)
```

Display Geometry and Format Information

To display the geometry and format information of a Compact Flash memory card formatted with a Class C Flash file system, use the **show flash:** command.

The following example shows output for displaying the geometry and format information of a Compact Flash memory card formatted with a Class C Flash file system:

```
Router# show flash:
***** ATA Flash Card Geometry/Format Info *****

ATA CARD GEOMETRY
  Number of Heads:      2
  Number of Cylinders   490
  Sectors per Cylinder  32
  Sector Size           512
  Total Sectors         31360

ATA CARD FORMAT
  Number of FAT Sectors 12
  Sectors Per Cluster   8
  Number of Clusters    3885
  Number of Data Sectors 31264
  Base Root Sector      152
  Base FAT Sector       128
  Base Data Sector      184
```

Please use "dir" command to display the contents of the card.

Delete Files from Compact Flash Memory

To delete a file from a Compact Flash memory card, use the **delete flash: filename** command.

The following example shows output for deleting a Cisco IOS file from a Compact Flash memory card:

```
Router# delete flash:c3725-i-mz.tmp
Delete filename [c3725-i-mz.tmp]?
Delete flash:c3725-i-mz.tmp? [confirm]
Router# dir flash:
Directory of flash:/

No files in directory

128094208 bytes total (128094208 bytes free)
```

Rename a File in Flash

To rename a file in a Compact Flash memory card, use the **rename flash:** *original-filename* **flash:** *new-filename* command.

The following example shows output for renaming a Cisco IOS file in an internal Compact Flash memory card:

```
Router# dir flash:
Directory of flash:/

   3  -rw-     6458388   Mar 01 1993 00:00:58  c3725-i-mz.tmp
 1580 -rw-     6462268   Mar 06 1993 06:14:02  c3725-i-mz.3600ata

63930368 bytes total (51007488 bytes free)
Router# rename flash:c3725-i-mz.tmp flash:c3725-i-mz
Destination filename [c3725-i-mz]?
Router# dir flash:
Directory of flash:/

 1580 -rw-     6462268   Mar 06 1993 06:14:02  c3725-i-mz.3600ata
    3  -rw-     6458388   Mar 01 1993 00:01:24  c3725-i-mz

63930368 bytes total (51007488 bytes free)
```

Display the Contents of a File

To display the content of a file in a Compact Flash memory card, use the **more flash:** *filename* command.

The following example shows output from the **more** command on a Compact Flash memory card:

```
Router# more flash:c3725-i-mz.tmp
00000000: 7F454C46 01020100 00000000 00000000  .ELF ....
00000010: 00020061 00000001 80008000 00000034  ...a ....
00000020: 00000054 20000001 00340020 00010028  ...T ... .4. ...
00000030: 00050008 00000001 0000011C 80008000  ....
00000040: 80008000 00628A44 00650EEC 00000007  .... .b.D .e.l ....
00000050: 0000011C 0000001B 00000001 00000006  ....
00000060: 80008000 0000011C 00004000 00000000  ....
00000070: 00000000 00000008 00000000 00000021  ....
00000080: 00000001 00000002 8000C000 0000411C  ....
00000090: 00000700 00000000 00000000 00000004  ....
000000A0: 00000000 00000029 00000001 00000003  ....
000000B0: 8000C700 0000481C 00000380 00000000  ..G. ..H. ....
000000C0: 00000000 00000004 00000000 0000002F  ....
000000D0: 00000001 10000003 8000CA80 00004B9C  ....
000000E0: 00000020 00000000 00000000 00000008  ...
000000F0: 00000000 0000002F 00000001 10000003  ....
00000100: 8000CAA0 00004BBC 00623FA4 00000000  ..J ..K< .b?$ ....
00000110: 00000000 00000008 00000000 3C1C8001  ....
00000120: 679C4A80 3C018001 AC3DC70C 3C018001  g.J. <... ,=G. <...
00000130: AC3FC710 3C018001 AC24C714 3C018001  ,?G. <... ,&G. <...
00000140: AC25C718 3C018001 AC26C71C 3C018001  ,%G. <... ,&G. <...
00000150: AC27C720 3C018001 AC30C724 3C018001  ,'G <... ,0G$ <...
00000160: AC31C728 3C018001 AC32C72C 3C018001  ,1G( <... ,2G, <...
--More-- q
```

Directory Operations

Create a New Directory

To create a directory in Compact Flash memory, use the **mkdir flash:/directory-name** command.

The following example shows output for first displaying the contents of an internal Compact Flash memory card, and then creating a directory named **config** and a subdirectory named **test-config**:

```
Router# dir flash:
Directory of flash:/

 3  -rw-      6458208   Mar 01 1993 00:04:08  c3725-i-mz.tmp

128094208 bytes total (121634816 bytes free)
Router# mkdir flash:/config
Create directory filename [config]?
Created dir flash:/config
Router# mkdir flash:/config/test-config
Create directory filename [/config/test-config]?
Created dir flash:/config/test-config
Router# dir flash:
Directory of flash:/

 3  -rw-      6458208   Mar 01 1993 00:04:08  c3725-i-mz.tmp
1580 drw-          0   Mar 01 1993 23:48:36  config

128094208 bytes total (121626624 bytes free)
Router# cd flash:/config
Router# dir flash:
Directory of flash:/config/

1581 drw-          0   Mar 01 1993 23:50:08  test-config

128094208 bytes total (121626624 bytes free)
```

Remove a Directory

To remove a directory from Compact Flash memory, use the **rmdir flash:/directory-name** command.

Before you can remove a directory, remove all files and subdirectories from the directory.

The following example shows output for displaying the contents of an internal Compact Flash memory card, then removing the subdirectory named **test-config**:

```
Router# dir flash:
Directory of flash:/config/

1581 drw-          0   Mar 01 1993 23:50:08  test-config

128094208 bytes total (121626624 bytes free)
Router# rmdir flash:/config/test-config
Remove directory filename [/config/test-config]?
Delete flash:/config/test-config? [confirm]
Removed dir flash:/config/test-config
Router# dir flash:
Directory of flash:/config/

No files in directory

128094208 bytes total (121630720 bytes free)
Router#
```

Enter a Directory and Determine Which Directory You Are In

To enter a directory in Compact Flash memory, use the **cd flash:/directory-name** command.

To determine which directory you are in, use the **pwd** command.

If you enter only **cd**, the router will enter the default home directory, which is `flash:/`.

The following example shows output for the following actions:

- Entering the home directory of a Compact Flash memory card (`flash:/`)
- Verifying that you are in the home directory
- Displaying the contents of the home directory
- Entering the `/config` directory
- Verifying that you are in the `/config` directory
- Returning to the home directory (`flash:/`)
- Verifying that you are in the home directory

```
Router# cd
Router# pwd
flash:
Router# dir
Directory of flash:/

   3  -rw-      6458208   Mar 01 1993 00:04:08  c3725-i-mz.tmp
 1580 drw-         0     Mar 01 1993 23:48:36  config

128094208 bytes total (121630720 bytes free)
Router# cd config
Router# pwd
flash:/config/
Router# cd
Router# pwd
flash:
```

Procedures for Use with Class B Flash File System

The following file and directory procedures are useful for Compact Flash memory cards formatted with a Class B Flash file system.

File Operations

Copy Files

To copy the files to another location, use the **copy flash: source-filename { flash: | tftp: | lex: | null: | nvram: | pram: | rcp: | system: | tftp: | xmodem: | ymodem: | running-config | startup-config } destination-filename** command.

The following example shows output for copying a configuration file to the startup configuration in an internal Compact Flash memory card (`flash:`):

```
Router# copy flash:my-config1 startup-config
Destination filename [startup-config]?
[OK]
517 bytes copied in 4.188 secs (129 bytes/sec)
```

The following example shows output for copying a configuration file to the running configuration in an internal Compact Flash memory card (`flash:`):

```
Router# copy flash:my-config2 running-config
Destination filename [running-config]?
709 bytes copied in 0.72 secs
```

Display the Contents of a Compact Flash Memory Card

To display the contents (directories and files) of a Compact Flash memory card formatted with a Class B Flash file system, use the **dir flash:** command or the **show flash:** command.

The following example shows output for displaying the contents of a Compact Flash memory card using the **dir flash:** command.

```
Router# dir flash:
Directory of flash:/

   1  -rw-     5190020          <no date>  c3631-i-mz
   2  -rw-     6458584          <no date>  c3725-i-mz
   3  -rw-     16535740         <no date>  c3631-telcoent-mz

128450560 bytes total (100266024 bytes free)
```

The following example shows output for displaying the contents of a Compact Flash memory card using the **show flash:** command.

```
Router# show flash:

System CompactFlash directory:
File Length Name/status
  1  5190020 c3631-i-mz
  2  6458584 c3725-i-mz
  3  16535740 c3631-telcoent-mz
[28184536 bytes used, 100266024 available, 128450560 total]
125440K bytes of ATA System CompactFlash (Read/Write)
```

Delete Files from Compact Flash Memory

To delete a file from Compact Flash memory, use the **delete flash: filename** command, followed by the **squeeze flash:** command.

When a file is deleted in the Class B Flash file system, the memory space occupied by the deleted file is not released until you enter the **squeeze** command. Although the memory space once occupied by the deleted file remains, the deleted file cannot be recovered. To release the memory space occupied by a deleted file, enter the **squeeze flash:** command.



Note

The **dir** command does not show deleted files; the **show** command shows all files, including any deleted files if the **squeeze** command has not been entered.

The following example shows output for deleting a Cisco IOS file from a Compact Flash memory card, and then releasing the memory space originally occupied by the file:

```
Router# dir flash:
Directory of flash:/

   1  -rw-     6458208          <no date>  c3725-i-mz.tmp
   2  -rw-     6458208          <no date>  c3725-i-mz

16056320 bytes total (3139776 bytes free)
Router# delete flash:c3725-i-mz.tmp
Delete filename [c3725-i-mz.tmp]?
Delete flash:c3725-i-mz.tmp? [confirm]
Router# dir flash:
Directory of flash:/

   2  -rw-     6458208          <no date>  c3725-i-mz

16056320 bytes total (3139776 bytes free)
Router# show flash:

flash CompactFlash directory:
File Length Name/status
  1  6458208 c3725-i-mz.tmp [deleted]
  2  6458208 c3725-i-mz
[12916544 bytes used, 3139776 available, 16056320 total]
15680K bytes of ATA flash CompactFlash (Read/Write)

Router# squeeze flash:
Squeeze operation may take a while. Continue? [confirm]
squeeze in progress...
ssssssssssssssssssssssssseeeeeeeeeeeeeeeeeeeeeeeeeeeeeeeeeeeeeeeeeeeeeeeeeeeeeeeeeeeee
Rebuild file system directory...
Squeeze of flash complete
```

Display the Contents of a File

To display the content of a file in Compact Flash memory, use the **more flash:** *filename* command.

The following example shows output from the **more** command on a Compact Flash memory card:

```
Router# more flash:c3725-i-mz
00000000: 7F454C46 01020100 00000000 00000000      .ELF ....
00000010: 00020061 00000001 80008000 00000034      ...a ....
00000020: 00000054 20000001 00340020 00010028      ...T ... .4. ...
00000030: 00050008 00000001 0000011C 80008000      ....
00000040: 80008000 00628A44 00650EEC 00000007      .... .b.D .e.l ....
00000050: 0000011C 0000001B 00000001 00000006      ....
00000060: 80008000 0000011C 00004000 00000000      ....
00000070: 00000000 00000008 00000000 00000021      ....
00000080: 00000001 00000002 8000C000 0000411C      ....
00000090: 00000700 00000000 00000000 00000004      ....
000000A0: 00000000 00000029 00000001 00000003      ....
000000B0: 8000C700 0000481C 00000380 00000000      ..G. ..H. ....
000000C0: 00000000 00000004 00000000 0000002F      ....
000000D0: 00000001 10000003 8000CA80 00004B9C      ....
000000E0: 00000020 00000000 00000000 00000008      ...
000000F0: 00000000 0000002F 00000001 10000003      ....
00000100: 8000CAA0 00004BBC 00623FA4 00000000      ..J ..K< .b?$ ....
00000110: 00000000 00000008 00000000 3C1C8001      ....
00000120: 679C4A80 3C018001 AC3DC70C 3C018001      g.J. <... ,=G. <...
00000130: AC3FC710 3C018001 AC24C714 3C018001      ,?G. <... ,?G. <...
--More-- q
Router#
```


Free Manuals Download Website

<http://myh66.com>

<http://usermanuals.us>

<http://www.somanuals.com>

<http://www.4manuals.cc>

<http://www.manual-lib.com>

<http://www.404manual.com>

<http://www.luxmanual.com>

<http://aubethermostatmanual.com>

Golf course search by state

<http://golfingnear.com>

Email search by domain

<http://emailbydomain.com>

Auto manuals search

<http://auto.somanuals.com>

TV manuals search

<http://tv.somanuals.com>