



Maintenance and Upgrade Procedures

This appendix describes how to install and replace the Cisco Security Services Modules (SSM), the chassis cover, the power supply, and the CompactFlash. This appendix includes the following sections:

- [Installing and Replacing the 4GE SSM, page A-1](#)
- [Installing and Replacing the ASA SSM 10/20, page A-8](#)
- [Removing and Replacing the Chassis Cover, page A-10](#)
- [Working in an ESD Environment, page A-13](#)
- [Removing and Replacing the Power Supply, page A-13](#)
- [Installing the DC Model, page A-17](#)
- [Removing and Replacing the CompactFlash, page A-19](#)

Installing and Replacing the 4GE SSM

The 4GE Security Services Module (SSM) has eight Ethernet ports: four 10/100/1000 Mbps, copper, RJ-45 ports or four optional 1000 Mbps, small form-factor pluggable (SFP) fiber ports.

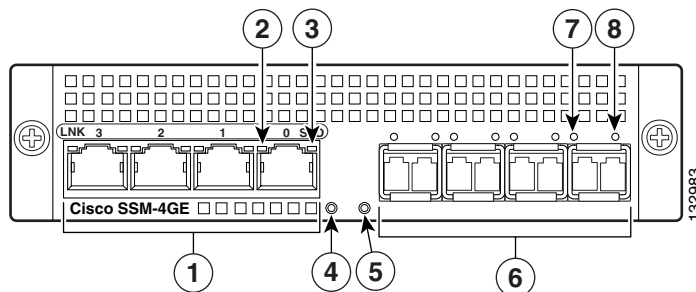
This section describes how to install and replace the 4GE SSM in the adaptive security appliance, and includes the following sections:

- [Overview, page A-2](#)
- [Installing the 4GE SSM, page A-3](#)
- [Replacing the 4GE SSM, page A-4](#)
- [Installing and Removing the SFP Modules, page A-4](#)

Overview

Figure A-1 lists the 4GE SSM ports and LEDs.

Figure A-1 4GE SSM Ports and LEDs



1	RJ-45 ports	2	RJ-45 Link LED
3	RJ-45 Speed LED	4	Power LED
5	Status LED	6	SFP ports
7	SFP Link LED	8	SFP Speed LED



Note

Figure A-1 shows SFP modules installed in the ports slots. You must order and install the SFP modules if you want to use this feature. For more information on SFP ports and modules, see the “Installing and Removing the SFP Modules” section on page A-4.

Table A-1 describes the 4GE SSM LEDs.

Table A-1 4GE SSM LEDs

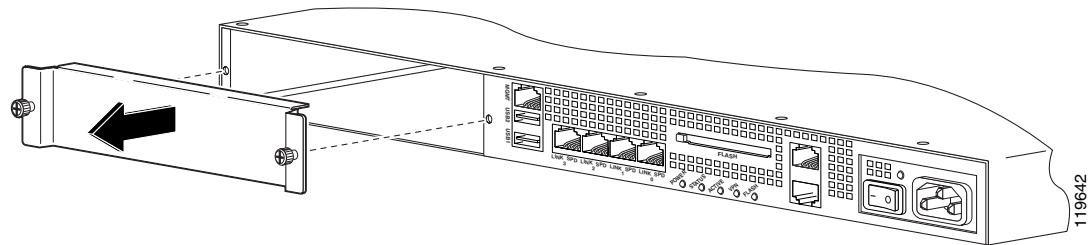
	LED	Color	State	Description	
2, 7	LINK	Green	Solid	There is an Ethernet link.	
			Flashing	There is Ethernet activity.	
3, 8	SPEED	Off	10 MB	There is no network activity.	
			Green	100 MB	There is network activity at 100 Mbps.
			Amber	1000 MB (GigE)	There is network activity at 1000 Mbps.
4	POWER	Green	On	The system has power.	
5	STATUS	Green	Flashing	The system is booting.	
			Solid	The system booted correctly.	
			Solid	The system diagnostics failed.	

Installing the 4GE SSM

To install a new 4GE SSM for the first time, perform the following steps:

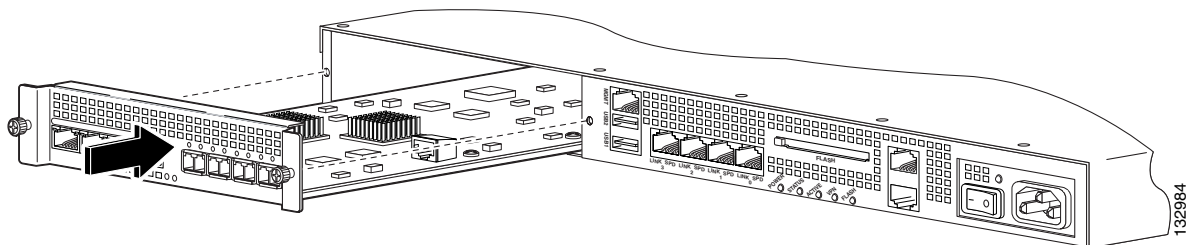
- Step 1** Power off the adaptive security appliance.
- Step 2** Locate the grounding strap from the accessory kit and fasten it to your wrist so that it contacts your bare skin. Attach the other end to the chassis.
- Step 3** Remove the two screws (as shown in [Figure A-2](#)) at the left rear end of the chassis, and remove the slot cover.

Figure A-2 Removing the Screws from the Slot Cover



- Step 4** Insert the 4GE SSM through the slot opening as shown in [Figure A-3](#).

Figure A-3 Inserting the 4GE SSM into the Slot



- Step 5** Attach the screws to secure the 4GE SSM to the chassis.
- Step 6** Power on the adaptive security appliance.
- Step 7** Check the LEDs. If the 4GE SSM is installed properly the STATUS LED flashes during boot up and is solid when operational.
- Step 8** Connect one end of the RJ-45 cable to the port and the other end of the cable to your network devices. For more information, see the [“Connecting the Interface Cables”](#) section.

Replacing the 4GE SSM

To replace an existing 4GE SSM, perform the following steps:

-
- Step 1** Enter the **hw-mod mod 1 shut** command in privileged EXEC mode. Verify that the module is down by making sure that the LEDs are all off.
 - Step 2** Locate the grounding strap from the accessory kit and fasten it to your wrist, so that it contacts your bare skin. Attach the other end to the chassis.
 - Step 3** Remove the two screws at the left rear end of the chassis.
 - Step 4** Remove the 4GE SSM. Place it in a static bag and set it aside.
 - Step 5** Replace the existing card by inserting the new 4GE SSM through the slot opening.
 - Step 6** Attach the screws to secure the 4GE SSM to the chassis.
 - Step 7** Power on the adaptive security appliance.
 - Step 8** Enter the **hw-mod mod 1 reset** command in privileged EXEC mode to reset the 4GE SSM.
 - Step 9** Check the LEDs. If the 4GE SSM is installed properly, the POWER LED is solid green and the STATUS LED is flashing during boot up.
 - Step 10** Connect the RJ-45 cable to the port and the other end of the cable to your network devices. For more information, see the [“Connecting the Interface Cables”](#) section.
-

Installing and Removing the SFP Modules

The SFP is a hot-swappable input/output device that plugs into the SFP ports. The following SFP module types are supported:

- Long wavelength/long haul 1000BASE-LX/LH (GLC-LH-SM=)
- Short wavelength 1000BASE-SX (GLC-SX-MM=)

This section describes how to install and remove the SFP modules in the adaptive security appliance to provide optical Gigabit Ethernet connectivity. It contains the following sections:

- [SFP Module, page A-5](#)
- [Installing the SFP Module, page A-6](#)
- [Removing the SFP Module, page A-7](#)

SFP Module

The adaptive security appliance uses a field-replaceable SFP module to establish Gigabit connections.



Note

If you install an SFP module after the switch has powered on, you must reload the adaptive security appliance to enable the SFP module.

Table A-2 lists the SFP modules that are supported by the adaptive security appliance.

Table A-2 Supported SFP Modules

SFP Module	Type of Connection	Cisco Part Number
1000BASE-LX/LH	Fiber-optic	GLC-LH-SM=
1000BASE-SX	Fiber-optic	GLC-SX-MM=

The 1000BASE-LX/LH and 1000BASE-SX SFP modules are used to establish fiber-optic connections. Use fiber-optic cables with LC connectors to connect to an SFP module. The SFP modules support 850 to 1550 nm nominal wavelengths. The cables must not exceed the required cable length for reliable communications. Table A-3 lists the cable length requirements.

Table A-3 Cabling Requirements for Fiber-Optic SFP Modules

SFP Module	62.5/125 micron Multimode 850 nm Fiber	50/125 micron Multimode 850 nm Fiber	62.5/125 micron Multimode 1310 nm Fiber	50/125 micron Multimode 1310 nm Fiber	9/125 micron Single-mode 1310 nm Fiber
LX/LH	—	—	550 m at 500 Mhz-km	550 m at 400 Mhz-km	10 km
SX	275 m at 200 Mhz-km	550 m at 500 Mhz-km	—	—	—

Use only Cisco certified SFP modules on the adaptive security appliance. Each SFP module has an internal serial EEPROM that is encoded with security information. This encoding provides a way for Cisco to identify and validate that the SFP module meets the requirements for the adaptive security appliance.



Note

Only SFP modules certified by Cisco are supported on the adaptive security appliance.



Caution

Protect your SFP modules by inserting clean dust plugs into the SFPs after the cables are extracted from them. Be sure to clean the optic surfaces of the fiber cables before you plug them back in the optical bores of another SFP module. Avoid getting dust and other contaminants into the optical bores of your SFP modules: The optics do not work correctly when obstructed with dust.



Warning

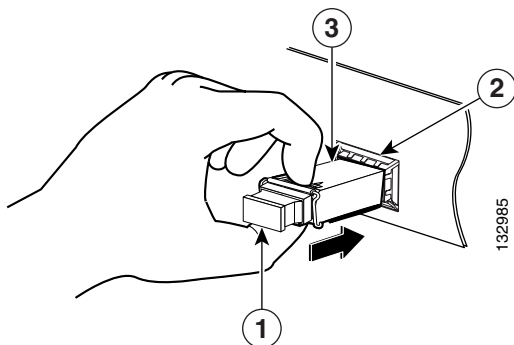
Because invisible laser radiation may be emitted from the aperture of the port when no cable is connected, avoid exposure to laser radiation and do not stare into open apertures. Statement 70

Installing the SFP Module

To install the SFP module in the 4GE SSM, perform the following steps:

- Step 1** Line up the SFP module with the port and slide the SFP module into the port slot until it locks into position as shown in [Figure A-4](#).

Figure A-4 Installing an SFP Module



1	Optical port plug	2	SFP port slot
3	SFP module		


Caution

Do not remove the optical port plugs from the SFP until you are ready to connect cabling.

- Step 2** Remove the Optical port plug; then connect the network cable to the SFP module.

- Step 3** Connect the other end of the cable to your network. For more information on connecting the cables, see [“Connecting the Interface Cables”](#) section on page 2-7.


Caution

The latching mechanism used on many SFPs locks them into place when cables are connected. Do not pull on the cabling in an attempt to remove the SFP.

Removing the SFP Module

The SFP modules have different types of latching devices used to detach the SFP module from a port. The following are the different types of modules:

- Mylar Tab Module
- Actuator/Button SFP Module
- Bale-Clasp SFP Module
- Plastic Collar Module

To remove the SFP module, perform the following steps:

Step 1 Disconnect all cables from the SFP.



Warning

Because invisible laser radiation may be emitted from the aperture of the port when no cable is connected, avoid exposure to laser radiation and do not stare into open apertures. Statement 70



Caution

The latching mechanism used on many SFPs locks the SFP into place when cables are connected. Do not pull on the cabling in an attempt to remove the SFP.

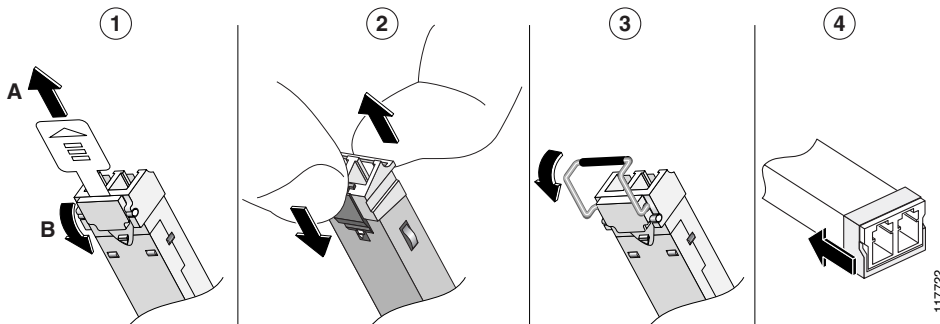
Step 2 Disconnect the SFP latch as shown in [Figure A-5](#).



Note

SFP modules use various latch designs to secure the module in the SFP port. Latch designs are not linked to SFP model or technology type. For information on the SFP technology type and model, see the label on the side of the SFP.

Figure A-5 Disconnecting SFP Latch Mechanisms



1	Mylar tab	2	Actuator/Button
3	Bale-clasp	4	Plastic collar

Step 3 Grasp the SFP on both sides and remove it from the port.

Installing and Replacing the ASA SSM 10/20

This section describes how to install and replace the ASA SSM 10/20 in the adaptive security appliance. This section includes the following topics:

- [Installing an ASA SSM 10/20, page A-9](#)
- [Replacing an ASA SSM 10/20, page A-10](#)

There are two types of the SSM: the ASA SSM 10 and the ASA SSM 20. Both types look identical, but the ASA SSM 20 has a faster processor and more memory than the ASA SSM 10. Only one module (the ASA SSM 10 or the ASA SSM 20) can populate the slot at a time.

For more information on the ASA SSM 10/20, see the “[Assigning Traffic to the SSM](#)” section in the *Cisco Security Appliance Command Line Configuration Guide*.

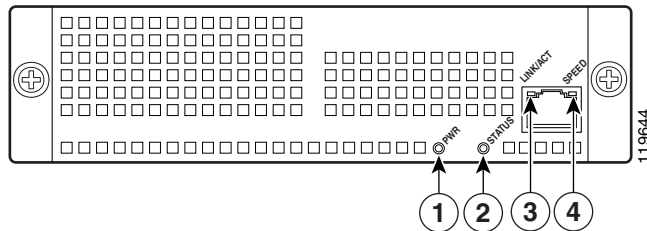
[Table A-4](#) lists the memory specifications for the ASA SSM 10 and the ASA SSM 20.

Table A-4 ASA SSM Memory Specifications

SSM	CPU	DRAM
ASA SSM 10	2.0 GHz Celeron	1.0 GB
ASA SSM 20	2.4 GHz Pentium 4	2.0 GB

[Figure A-6](#) lists the ASA SSM LEDs.

Figure A-6 ASA SSM LEDs



[Table A-5](#) describes the ASA SSM LEDs.

Table A-5 ASA SSM LEDs

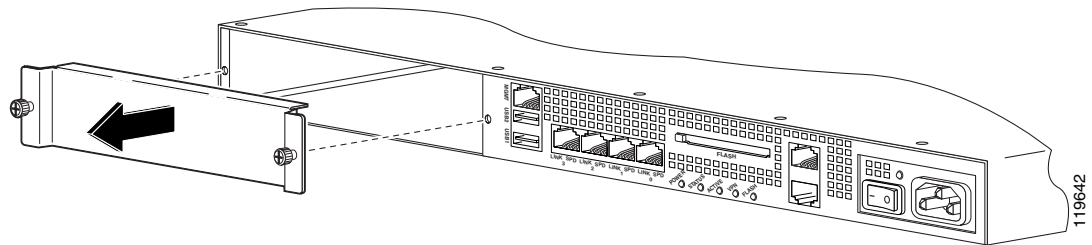
	LED	Color	State	Description
1	PWR	Green	On	The system has power.
2	STATUS	Green	Flashing	The system is booting.
			Solid	The system has passed power-up diagnostics.
3	LINK/ACT	Green	Solid	There is an Ethernet link.
			Flashing	There is Ethernet activity.
4	SPEED	Green	100 MB	There is network activity.
		Amber	1000 MB (GigE)	There is network activity.

Installing an ASA SSM 10/20

To install a new ASA SSM for the first time, perform the following steps:

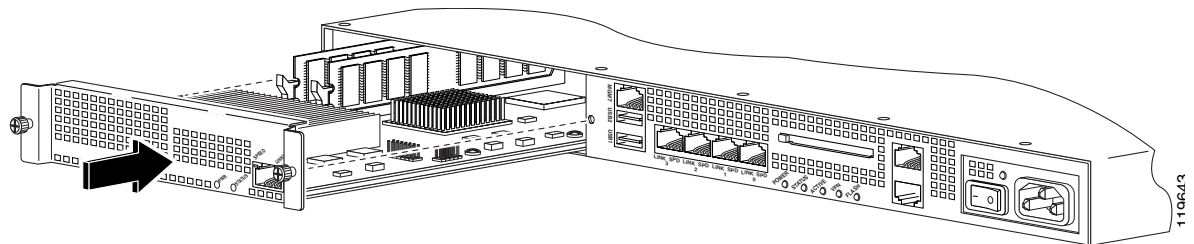
- Step 1** Power off the adaptive security appliance.
- Step 2** Locate the grounding strap from the accessory kit and fasten it to your wrist so that it contacts your bare skin. Attach the other end to the chassis.
- Step 3** Remove the two screws (as shown in [Figure A-7](#)) at the left rear end of the chassis, and remove the slot cover.

Figure A-7 Removing the Screws from the Slot Cover



- Step 4** Insert the ASA SSM into the slot opening as shown in [Figure A-8](#).

Figure A-8 Inserting the ASA SSM into the Slot



- Step 5** Attach the screws to secure the ASA SSM to the chassis.
- Step 6** Power on the adaptive security appliance.
- Step 7** Check the LEDs. If the ASA SSM is installed properly the POWER LED is solid green and the STATUS LED flashes green.

Replacing an ASA SSM 10/20

To replace an existing ASA SSM, perform the following steps:

-
- Step 1** Enter the **hw-mod mod 1 shut** command in privileged EXEC mode. Verify if the module is down by checking the LEDs.
 - Step 2** Locate the grounding strap from the accessory kit and fasten it to your wrist so that it contacts your bare skin. Attach the other end to the chassis.
 - Step 3** Remove the two screws (as shown in [Figure A-7](#)) at the left rear end of the chassis, and remove the slot cover.
 - Step 4** Remove the ASA SSM. Set it aside.
 - Step 5** Replace the existing card by inserting the new ASA SSM through the slot opening.
 - Step 6** Attach the screws to secure the ASA SSM to the chassis.
 - Step 7** Power on the adaptive security appliance.
 - Step 8** Enter the **hw-mod mod 1 reset** command in privileged EXEC mode to reset the ASA SSM.
 - Step 9** Check the LEDs. If the ASA SSM is installed properly, the POWER LED is solid green and the STATUS LED flashes green.
-

Removing and Replacing the Chassis Cover

This section describes how to remove and replace the chassis cover from the adaptive security appliance. This section includes the following topics:

- [Removing the Chassis Cover, page A-10](#)
- [Replacing the Chassis Cover, page A-12](#)

Removing the Chassis Cover

To remove the chassis cover, perform the following steps:



Note

Removing the chassis cover does not affect Cisco warranty. Upgrading the adaptive security appliance does not require any special tools and does not create any radio frequency leaks.

- Step 1** Read the *Regulatory Compliance and Safety Information for the Cisco ASA 5500 Series* document.
- Step 2** Power off the adaptive security appliance. Once the upgrade is complete, you can safely power on the chassis.

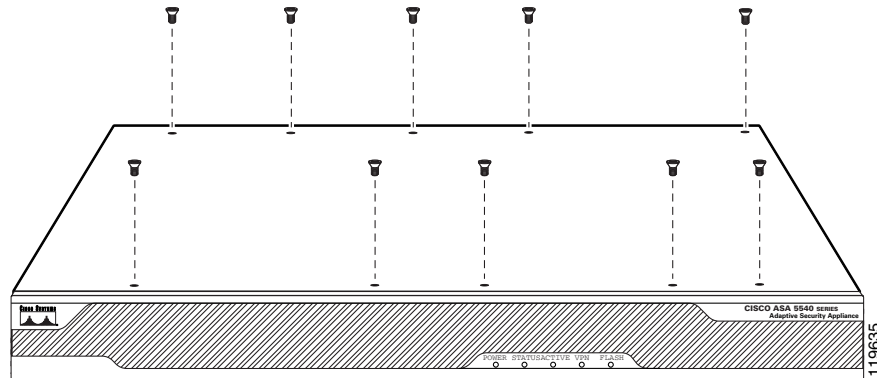


Warning

Before working on a system that has an On/Off switch, turn OFF the power and unplug the power cord.
Statement 1

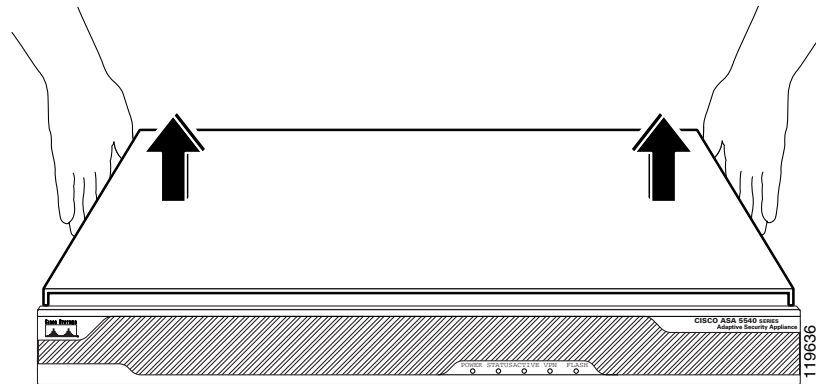
Step 3 Remove the screws from the top of the chassis (Figure A-9).

Figure A-9 Removing the Top Panel Screws



Step 4 Pull the top panel up as shown in Figure A-10. Put the panel in a safe place.

Figure A-10 Removing the Chassis Cover



Replacing the Chassis Cover



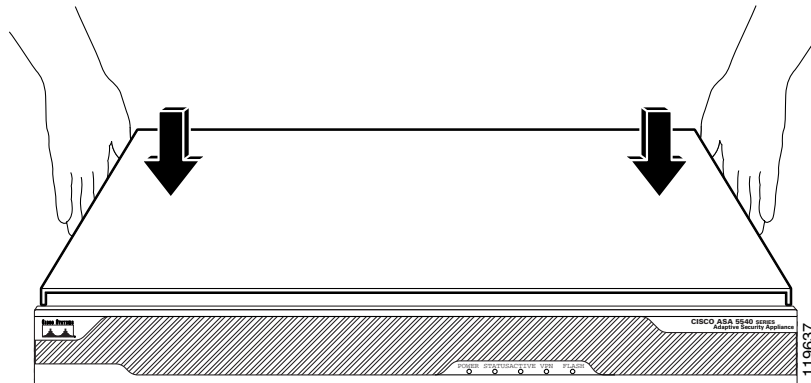
Caution

Do not operate the adaptive security appliance without the chassis cover installed. The chassis cover protects the internal components, prevents electrical shorts, and provides proper air-flow for cooling the electronic components.

To replace the chassis cover, perform the following steps:

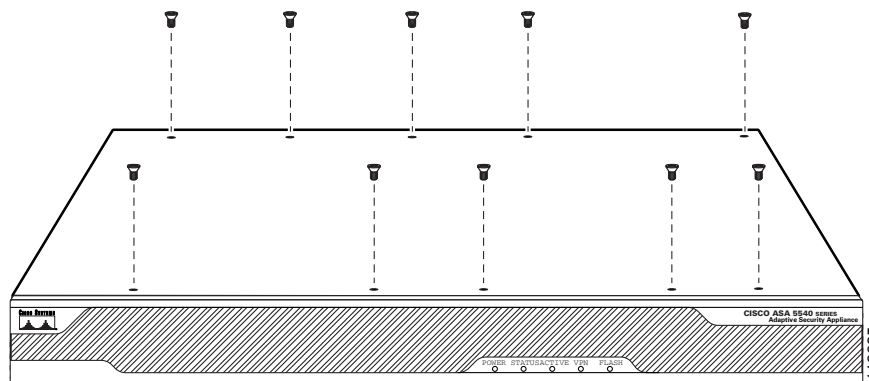
- Step 1** Place the chassis on a secure surface with the front panel facing you.
- Step 2** Hold the top panel so the tabs at the rear of the top panel are aligned with the chassis bottom.
- Step 3** Lower the front of the top panel onto the chassis as shown in [Figure A-11](#).

Figure A-11 Replacing the Chassis Cover



- Step 4** Fasten the top panel with the screws you set aside earlier as shown in [Figure A-12](#).

Figure A-12 Replacing the Screws



- Step 5** Reinstall the chassis on a rack, desktop, or table.
- Step 6** Reinstall the network interface cables.

Working in an ESD Environment

Electrostatic discharge (ESD) can damage equipment and impair electrical circuitry. ESD damage occurs when electronic components are improperly handled and can result in complete or intermittent failures. Always follow ESD-prevention procedures when you remove and replace components. Ensure that the chassis is electrically connected to earth ground. Wear an ESD-preventive wrist strap, ensuring that it makes good skin contact. Connect the grounding clip to an unpainted surface of the chassis frame to safely ground unwanted ESD voltages. To guard against ESD damage and shocks, the wrist strap and cord must operate properly. If no wrist strap is available, ground yourself by touching the metal part of the chassis.

Removing and Replacing the Power Supply

This section describes how to remove and replace the power supply, and includes the following topics:

- [Removing the AC Power Supply, page A-13](#)
- [Replacing the AC Power Supply, page A-16](#)

Removing the AC Power Supply

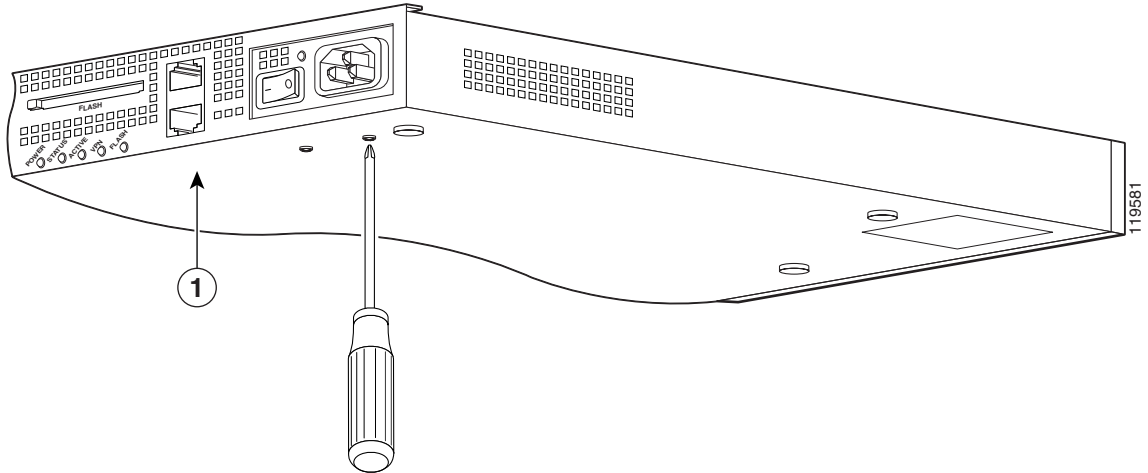
To remove the AC power supply, perform the following steps:

-
- Step 1** Power off the adaptive security appliance.
 - Step 2** Remove the power cord and all other cables from the chassis.
 - Step 3** Remove the chassis from the rack if it is rack-mounted. See the [“Rack-Mounting the Chassis” section on page 2-5](#) for more information.
 - Step 4** Remove the chassis cover. See the [“Removing and Replacing the Chassis Cover” section on page A-10](#) for more information.
 - Step 5** Place the chassis in an ESD-controlled environment. See the [“Working in an ESD Environment” section on page A-13](#) for more information.

Removing and Replacing the Power Supply

- Step 6** Lift the rear of the chassis from the surface and unscrew both the screws that secures the power supply to the chassis, as shown in [Figure A-13](#).

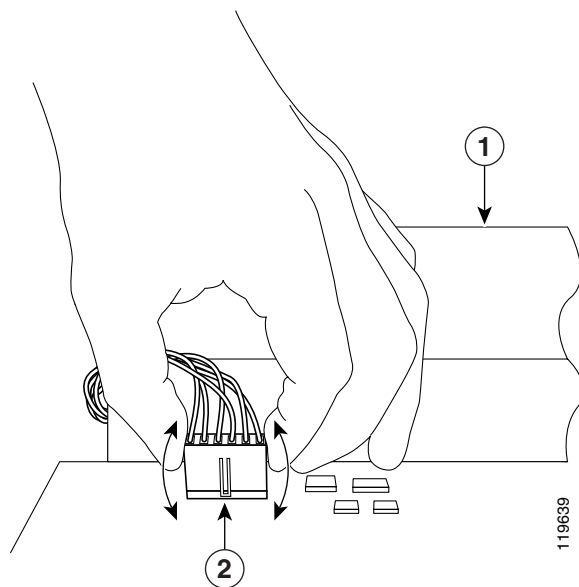
Figure A-13 Removing the Power Supply Screws



1	Chassis bottom
----------	----------------

- Step 7** Locate the power connector on the system board.
- Step 8** Unlatch the plug, then grasp the sides of the power connector and pull upward while rocking the connector side to side. Disconnect the power connector from the system board as shown in [Figure A-14](#).

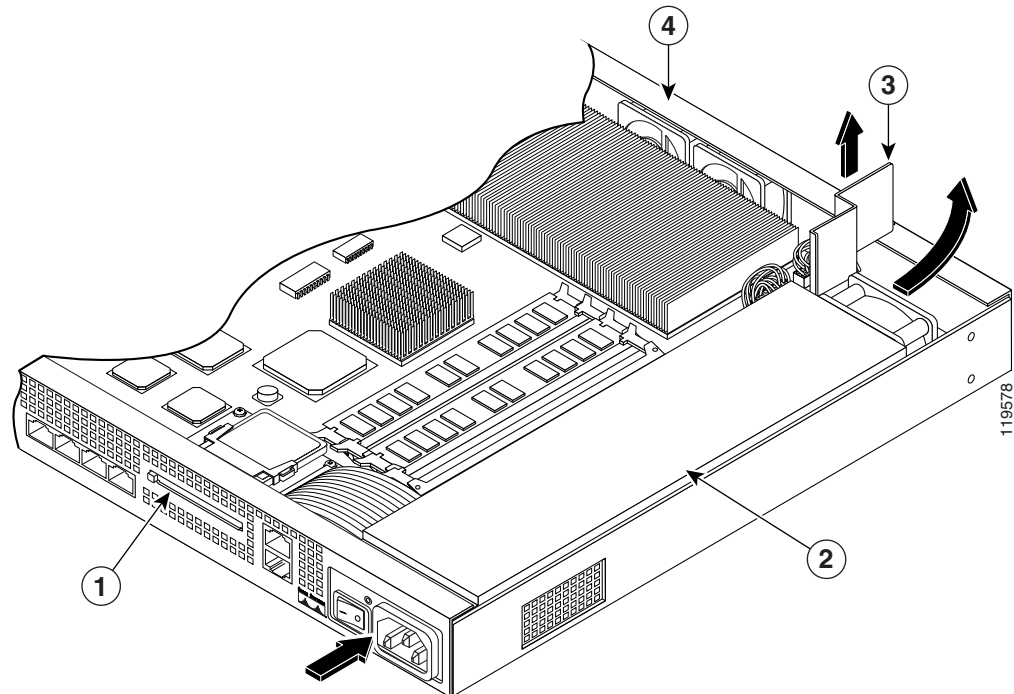
Figure A-14 Disconnecting the Power Connector



1	AC power supply	2	Power connector
----------	-----------------	----------	-----------------

Step 9 Remove the power supply brace by pulling it up and then out as shown in [Figure A-15](#).

Figure A-15 Removing the Power Supply



1	Back panel	3	Power supply brace
2	Power supply	4	Front panel

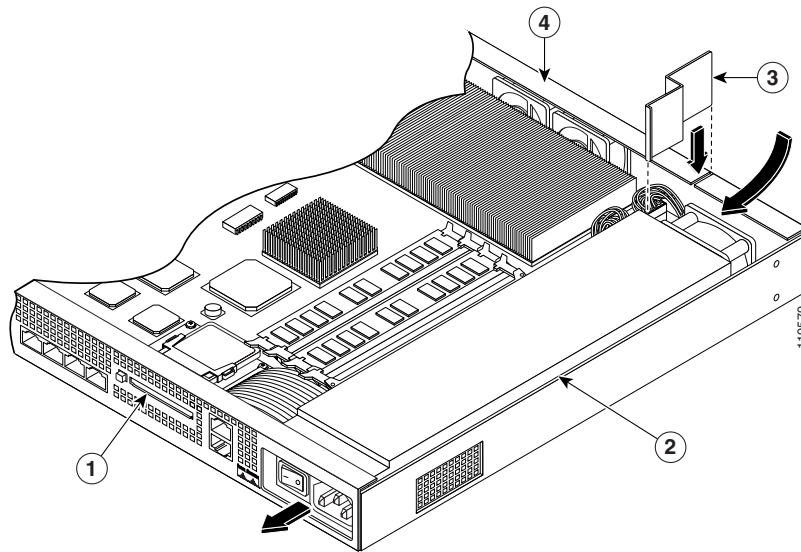
Step 10 From the back of the chassis, push the power supply forward, and then lift it up and out.

Replacing the AC Power Supply

To replace the AC power supply, perform the following steps:

- Step 1** Insert the new power supply into place and slide it towards the back of the adaptive security appliance.
- Step 2** Lift the rear of the adaptive security appliance from the surface and reinstall both screws.
- Step 3** Insert the power supply brace and press down until it fits into place, as shown in [Figure A-16](#).

Figure A-16 Replacing the Power Supply Brace and the AC Power Supply



1	Back panel	3	Power supply brace
2	Power supply	4	Front panel

- Step 4** Connect the power connector to the system board.
- Step 5** Replace the adaptive security appliance cover. See the [“Replacing the Chassis Cover”](#) for more information.
- Step 6** Reinstall the network interface cables.

Installing the DC Model



Warning

Before performing any of the following procedures, ensure that power is removed from the DC circuit. To ensure that all power is OFF, locate the circuit breaker on the panel board that services the DC circuit, switch the circuit breaker to the OFF position, and tape the switch handle of the circuit breaker in the OFF position. Statement 7



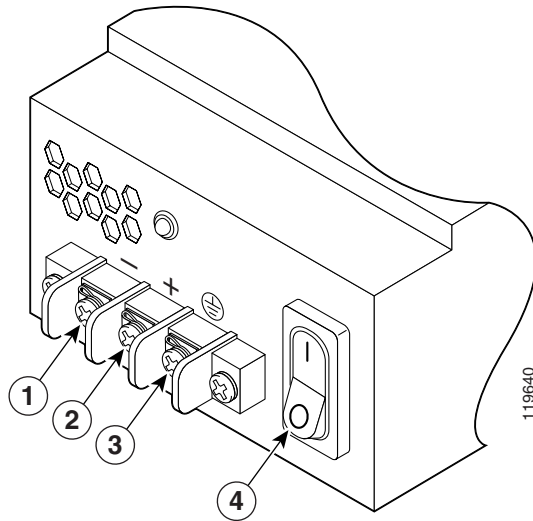
Note

The DC return connection should remain isolated from the system frame and chassis (DC-I). This equipment is suitable for connection to intra-building wiring only.

To install the DC power model, perform the following steps:

- Step 1** Read the *Regulatory Compliance and Safety Information for the Cisco ASA 5500 Series* document.
- Step 2** Terminate the DC input wiring on a DC source capable of supplying at least 15 amps. A 15-amp circuit breaker is required at the 48 VDC facility power source. An easily accessible disconnect device should be incorporated into the facility wiring.
- Step 3** Locate the DC-input terminal box, see [Figure A-17](#).

Figure A-17 DC-Input Terminal Box



1	Negative	3	Ground
2	Positive	4	On/Off Switch

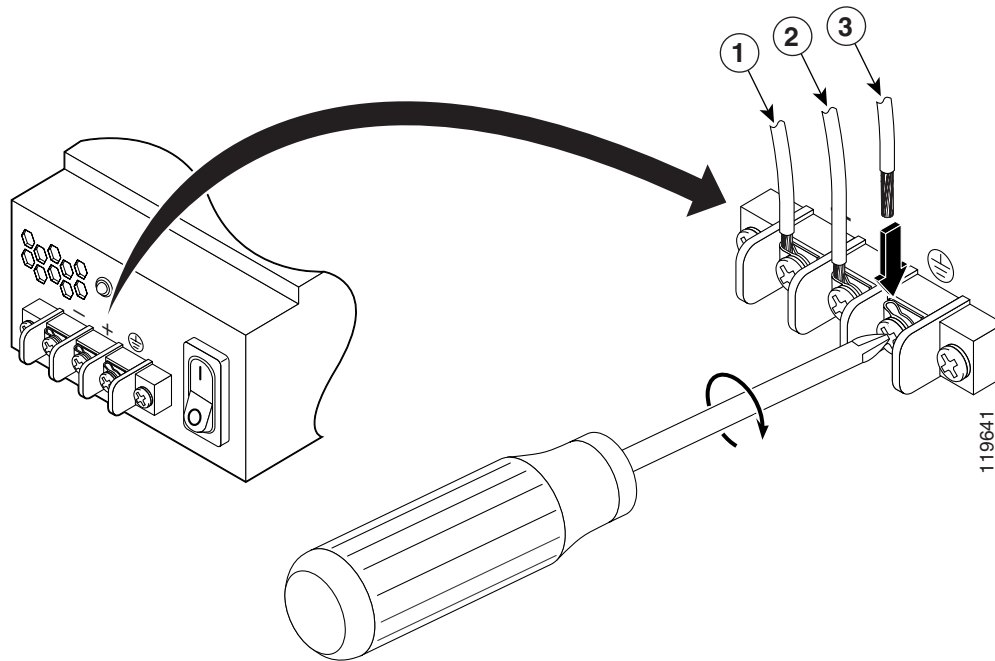
- Step 4** Power off the adaptive security appliance. Ensure that power is removed from the DC circuit. To ensure that all power is OFF, locate the circuit breaker on the panel board that services the DC circuit, switch the circuit breaker to the OFF position, and tape the switch handle of the circuit breaker in the OFF position.
- Step 5** Remove the DC power supply plastic shield.

- Step 6** The adaptive security appliance is equipped with two grounding holes at the side of the chassis, which you can use to connect a two-hole grounding lug to the adaptive security appliance. Use 8-32 screws to connect a copper standard barrel grounding lug to the holes. The adaptive security appliance requires a lug where the distance between the center of each hole is 0.56 inches. A lug is not supplied with the adaptive security appliance.
- Step 7** Strip the ends of the wires for insertion into the power connect lugs on the adaptive security appliance.
- Step 8** Insert the ground wire into the connector for the earth ground and tighten the screw on the connector. See [Figure A-18](#), and using the same method as for the ground wire, connect the negative wire and then the positive wire.



Note The DC return connection to this system is to remain isolated from the system frame and chassis.

Figure A-18 DC-Input Power Supply Connections



1	Negative	3	Ground
2	Positive		

- Step 9** After wiring the DC power supply, remove the tape from the circuit breaker switch handle and reinstate power by moving the handle of the circuit breaker to the ON position.
- Step 10** Install any remaining interface boards as described in “[Installing the DC Model](#)” section on page A-17.

- Step 11** Replace the DC power supply plastic shield.
- Step 12** Power on the adaptive security appliance from the switch at the rear of the chassis.



Note If you need to power cycle the DC adaptive security appliance, wait at least 5 seconds between powering off the adaptive security appliance and powering it back on.

Removing and Replacing the CompactFlash

The adaptive security appliance has two types of CompactFlash: the system CompactFlash (internal) and the user CompactFlash (external). This section includes the following sections:

- [Removing the System CompactFlash, page A-19](#)
- [Replacing the System CompactFlash, page A-21](#)
- [Removing the User CompactFlash, page A-22](#)
- [Replacing the User CompactFlash, page A-23](#)

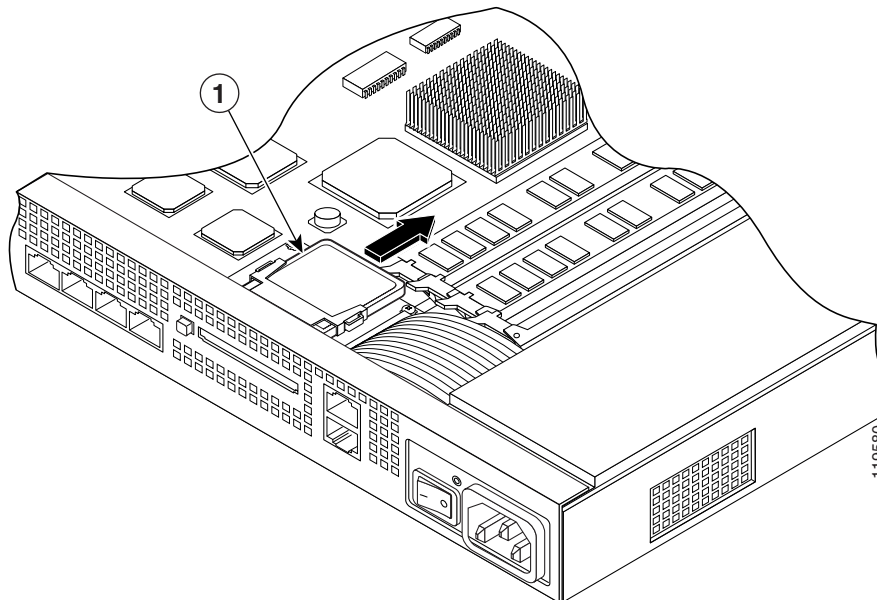
Removing the System CompactFlash

To remove the system CompactFlash, perform the following steps:

- Step 1** Power off the adaptive security appliance.
- Step 2** Remove the power cord and other cables from the adaptive security appliance.
- Step 3** Remove the adaptive security appliance from the rack if it is rack-mounted.
- Step 4** Place the adaptive security appliance in an ESD-controlled environment. See the “[Working in an ESD Environment](#)” section on [page A-13](#) for more information.
- Step 5** Remove the adaptive security appliance cover. See the “[Removing the Chassis Cover](#)” section on [page A-10](#) for the procedure.

- Step 6** Carefully slide the CompactFlash out of its connector as shown in [Figure A-19](#). The CompactFlash has a lip on its lower edge, which you can use to grip the CompactFlash. Otherwise, use sliding pressure with your thumb or finger to slide the CompactFlash out of its connector.

Figure A-19 Removing the System CompactFlash



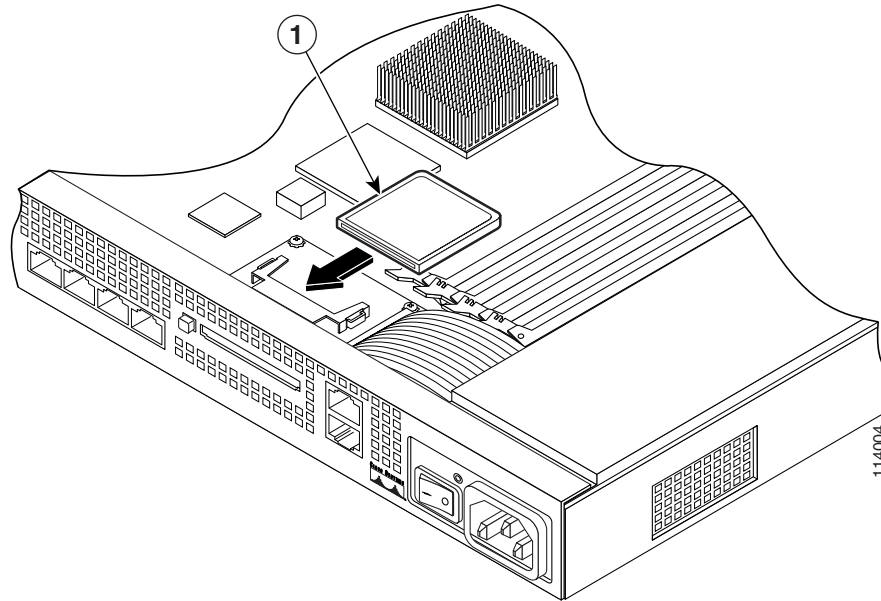
1	System CompactFlash
---	---------------------

Replacing the System CompactFlash

To replace the system CompactFlash, perform the following steps:

-
- Step 1** Align the new system CompactFlash with the connector on the riser card.
- Step 2** Push the system CompactFlash inward until it is fully seated in the connector, see [Figure A-20](#).

Figure A-20 Replacing the System CompactFlash



1	System CompactFlash
----------	---------------------

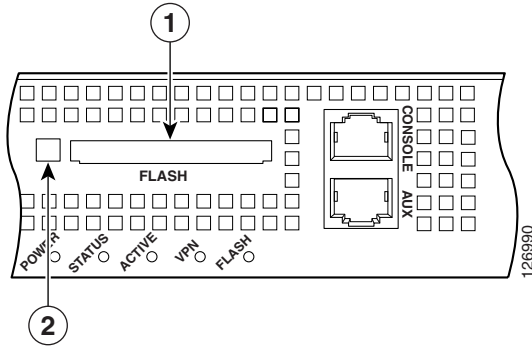
- Step 3** Replace the adaptive security appliance cover. See the “[Replacing the Chassis Cover](#)” section on [page A-12](#) for the procedure.
- Step 4** Reinstall the network interface cables.
-

Removing the User CompactFlash

To remove the user CompactFlash, perform the following steps:

-
- Step 1** Locate the user CompactFlash in its slot in the rear panel of the chassis.
- Step 2** Press the release button to eject the card. See [Figure A-21](#).

Figure A-21 User CompactFlash Slot Release Button



1	User CompactFlash slot	2	Release button
----------	------------------------	----------	----------------

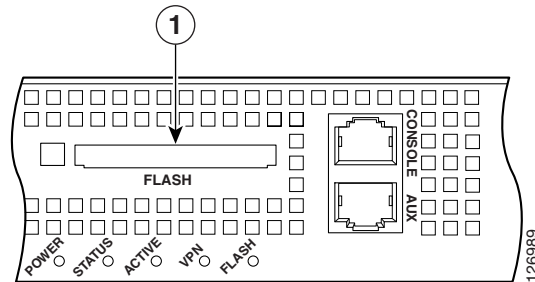
- Step 3** Carefully pull the card out of the slot.
- Step 4** Place the removed user CompactFlash on an antistatic surface or in a static shielding bag.
-

Replacing the User CompactFlash

To replace the user CompactFlash, perform the following steps:

- Step 1** Locate the user CompactFlash slot in the rear panel of the chassis. See [Figure A-22](#).

Figure A-22 User CompactFlash Slot



1	User CompactFlash slot
----------	------------------------

- Step 2** With the label facing up, insert the connector end of the user CompactFlash into the slot until the card is seated in the connector and the release button is pushed out.



Note The user CompactFlash is keyed so that it cannot be inserted wrong.

Free Manuals Download Website

<http://myh66.com>

<http://usermanuals.us>

<http://www.somanuals.com>

<http://www.4manuals.cc>

<http://www.manual-lib.com>

<http://www.404manual.com>

<http://www.luxmanual.com>

<http://aubethermostatmanual.com>

Golf course search by state

<http://golfingnear.com>

Email search by domain

<http://emailbydomain.com>

Auto manuals search

<http://auto.somanuals.com>

TV manuals search

<http://tv.somanuals.com>