



APPENDIX **A**

Repackaging the Router

Revised: February 12, 2008, OL-xxxxx-xx

Introduction

This appendix describes two separate but related router repackaging tasks:

- How to remove the router from the equipment rack and repackage the router for shipment if it becomes necessary to transport it to another location or return it to Cisco Systems.
- How to repackage a defective chassis to return it to the factory.

Where appropriate, you are referred to specific procedures in [Chapter 3, “Installing the Router,”](#) and [Chapter 5, “Maintaining the Router.”](#)

This appendix contains the following sections:

- [Repackaging the Routers, page A-1](#)
- [Repackaging the Replaced Router Chassis, page A-24](#)

Repackaging the Routers

This section describes how to remove the entire router system from the equipment rack and repackage the router should it become necessary to transport it to another location or return it to Cisco Systems.

REVIEW DRAFT – CISCO CONFIDENTIAL

This section contains the following information and procedures:

- [The Router Shipping Package, page A-2](#)
- [Tools and Equipment, page A-6](#)
- [Safety Recommendations, page A-6](#)
- [Removing the Router from the Rack, page A-7](#)
- [Installing the Router on the Shipping Pallet, page A-16](#)
- [Completing the Repackaging, page A-23](#)

**Note**

You must use the original shipping package supplied by Cisco when repackaging the router. If you do not have the original system package, contact your Cisco service representative for assistance.

The Router Shipping Package

[Figure A-1](#) shows the router in an exploded view of the parts making up the shipping package components.

Because of the weight and height of the router, the router shipping pallet incorporates a scissor-jack platform. This scissor-jack platform enables a team of two installers to remove a fully-loaded router from the pallet and insert it into an equipment rack, or extract a fully loaded router from a rack, without removing any of the components from the router chassis.

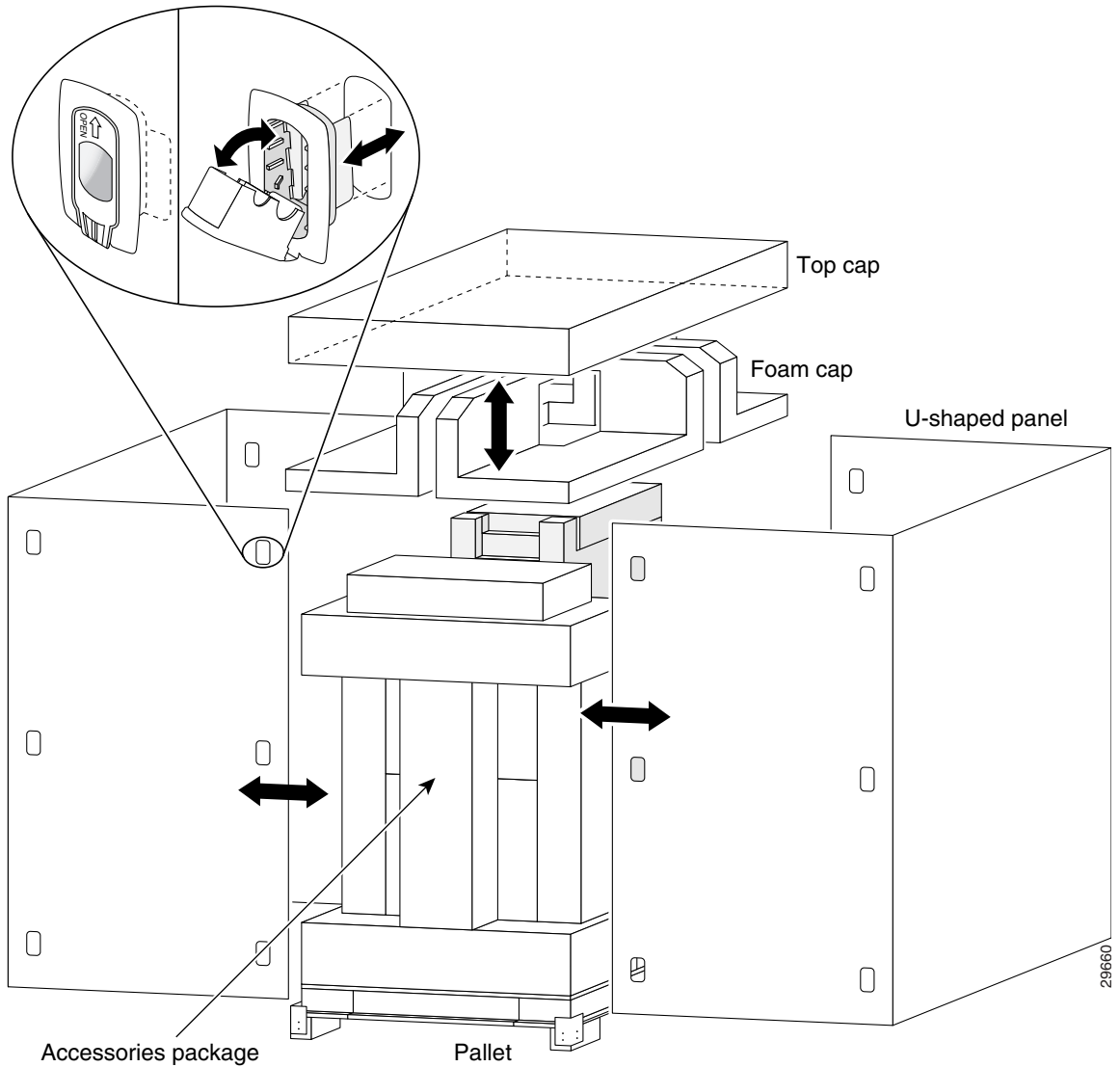
The router should be bagged to protect it against dust and electrostatic discharge (ESD) and secured to the scissor-jack platform by four anchor clips. The anchor clips are inserted into slots along the bottom edges of the router chassis side panels and secured to the scissor-jack platform by four bolts. In turn, the scissor-jack platform is secured to the shipping pallet by eight hold-down brackets that are bolted to the top of the shipping pallet.

The shipping pallet consists of a U-shaped wood and foam pallet body and a wood and foam pallet front bar. The pallet front bar fastens to the open end of the pallet body to create the fourth bearing surface for the scissor-jack platform and to complete the base needed to support the walls of the shipping container.

REVIEW DRAFT – CISCO CONFIDENTIAL

When the router and scissor-jack platform are installed on the pallet, the router and scissor-jack platform are suspended over the well formed by the pallet body and pallet front bar. When the scissor-jack platform is expanded to lower the platform base and support the weight of the router, the bolts securing the hold-down brackets to the top of the pallet can be removed. After the brackets have been detached from the pallet, the router and scissor-jack platform can be separated from the pallet by removing the pallet front bar from the pallet body and pulling the pallet body away from the scissor-jack platform.

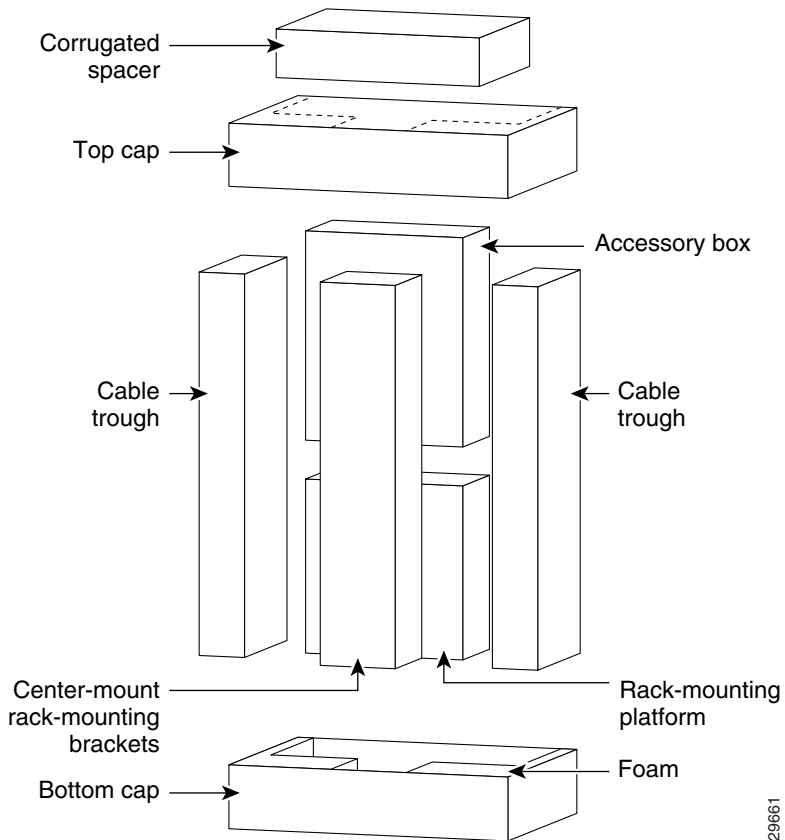
The side walls of the shipping container are formed by two U-shaped, interlocking corrugated panels. The panels overlap to form the narrow ends of the container and are locked together by twelve plastic locking clips inserted into holes in the corrugated panels. Two foam inserts fit around the top of the router to act as a protective cushion and add rigidity to the packaging scheme by serving as a fixed buffer between the router, the corrugated side walls of the shipping container, and the corrugated top cap that holds the side walls in place. With the corrugated top cap installed, the entire shipping package is double-strapped end-to-end and side-to-side to secure the shipping container and its contents to the pallet.

REVIEW DRAFT – CISCO CONFIDENTIAL**Figure A-1 Router Shipping Package Components**

REVIEW DRAFT – CISCO CONFIDENTIAL

The accessories for the router ship in five boxes that are assembled into a package. (See [Figure A-2](#).) The accessories package is packed against the back panel of the router on the extended deck of the pallet body.

Figure A-2 Router Accessories Package



29661

REVIEW DRAFT – CISCO CONFIDENTIAL

Tools and Equipment

You need the following items to remove the router from the equipment rack and repackage it for shipping:

- ESD-preventive wrist strap
- Flat-blade screwdrivers
- Number 1 and number 2 Phillips screwdrivers
- 3/8-inch (10-mm) nutdriver (for systems equipped with the DC-input power shelf)
- 9/16-inch (14-mm wrench) wrench
- 3/4-inch (19-mm) socket and ratchet wrench
- Safety hand truck with retractable safety leg wheels and security strap, such as the Stevens Appliance Truck Company “Escort,” Model STEV SRT-M-66 (distributed by McMaster-Carr as Model 2654T6), or an equivalent safety hand truck.
- Antistatic sacks or other ESD-preventive storage environment
- The original router shipping package supplied by Cisco. If you do not have the original router shipping package, contact your Cisco service representative for assistance.

Safety Recommendations

Before you begin the procedures in this appendix, review the following safety information:

- The safety recommendations listed in the [“Safety Recommendations” section on page 2-2 in Chapter 2, “Preparing for Installation.”](#)
- The safety warnings listed in the publication *Regulatory Compliance and Safety Information for the Cisco 12000 Series Internet Router* that accompanied your router

REVIEW DRAFT – CISCO CONFIDENTIAL

Removing the Router from the Rack

This section describes how to remove the router from the equipment rack.

A fully-equipped router can weigh as much as 415 lb (188 kg). Because of the weight and height of the router, Cisco provides a rack-mounting system for the router that enables a team of two installers to extract a fully-loaded router from a rack without removing any of the components from the router chassis. For information on the router rack-mounting system, refer to [“A fully equipped router with an optional two-level AC-input power shelf can weigh as much as 440 pounds \(200 kg\). The router ships on a scissor-jack platform that enables two people to install a fully loaded router into a rack without removing any of the components from the chassis.”](#) section on page 3-2.

**Note**

As an option, you can elect to remove some of the components from the chassis to reduce the top-end weight of the chassis and lower the center of gravity, making the chassis more stable as you move it. The procedures for removing components are described in the [“Unpacking and Positioning the Router”](#) section on page 3-3.

Procedures in the following sections describe the steps for removing the chassis from the equipment rack:

- [Powering Down the Router, page A-7](#)
- [Removing the Front Covers, page A-8](#)
- [Disconnecting RP Cables, page A-8](#)
- [Disconnecting Alarm Card Cables, page A-8](#)
- [Disconnecting Power Cables from the Power Shelf, page A-8](#)
- [Removing Components from the Chassis to Reduce Weight, page A-9](#)
- [Detaching the Supplemental Bonding and Grounding Connection, page A-10](#)
- [Removing the Router from the Equipment Rack, page A-11](#)

Powering Down the Router

Power down the router as instructed in the [“Powering Down the Router”](#) section on page 5-2.

REVIEW DRAFT – CISCO CONFIDENTIAL

Removing the Front Covers

Remove all of the front covers from the chassis as instructed in the [“Removing the Chassis Front Covers”](#) section on page 3-7. You will install them on the chassis after it has been secured on the shipping pallet?

Disconnecting RP Cables

You must disconnect any cables that are connected to the RP console port, auxiliary port, or either of the Ethernet ports, RJ-45 or MII. Identify each of the RP cable connections and write them down on a piece of paper before you disconnect the cables. After disconnecting the cables, remove them from the chassis and place them safely aside.

Refer to the following descriptions in [Chapter 2, “Preparing for Installation.”](#) for information on RP cables:

- [GRP Console and Auxiliary Port Connection Guidelines, page 2-24](#)
- [PRP Console and Auxiliary Port Connection Guidelines, page 2-27](#)
- [GRP Ethernet Connection Equipment, page 2-29](#)
- [PRP Ethernet Connection Equipment, page 2-36](#)

Disconnecting Alarm Card Cables

You must disconnect any cable that is connected to the external alarm port on either or both of the alarm cards. Identify the alarm cable connections and write them down on a piece of paper before you disconnect the cables. After disconnecting the cables, remove them from the chassis and place them safely aside.

For information on alarm card cables, refer to the [“Alarm Card Connection Guidelines”](#) section on page 2-33.

Disconnecting Power Cables from the Power Shelf

If your router is equipped with either the standard or optional AC-input power shelf, disconnect the AC-input power cords from their receptacles on the back panel of the power shelf as instructed in the [“Removing and Installing the Standard One-Level AC-Input Power Shelf”](#) section on page 5-32.

REVIEW DRAFT – CISCO CONFIDENTIAL

If your router is equipped with the DC-input power shelf, disconnect the eight source DC positive and negative power cables and the single ground cable from the terminal studs on the back panel of the power shelf as instructed in the [“Removing and Installing a DC-Input Power Shelf” section on page 5-54](#).

Removing Components from the Chassis to Reduce Weight

A fully-equipped router can weigh as much as 415 lb (188 kg). To reduce the top-end weight of the chassis and lower the center of gravity, which might make the chassis more stable as you move it, you may choose to remove some of the components from the chassis.

Procedures in the following sections describe the steps for removing some of the router components:

- [Removing Power Modules, page A-9](#)
- [Removing the Blower Modules, page A-10](#)
- [Removing the Cards from the Chassis Card Cages, page A-10](#)

Removing Power Modules

Each AC-input power supply weighs 12.7 lb (5.7 kg). By electing to remove the three power supplies from the standard AC-input power shelf, you reduce the top-end weight of the chassis by approximately 38.1 lb (17.1 kg). By electing to remove the four power supplies from the optional AC-input power shelf, you reduce the top-end weight of the chassis by approximately 50.8 lb (22.8kg) Remove the AC-input power supplies as described in the [“Installing AC-Input Power Supplies” section on page 3-75](#).

Each DC-input power entry module weighs 6.4 lb (2.9 kg). By electing to remove the four power entry modules from the power shelf, you reduce the top-end weight of the chassis by approximately 25.6 lb (11.6 kg). Remove the DC-input power entry modules as described in the [“Removing DC-Input PEMs” section on page 3-12](#).

REVIEW DRAFT – CISCO CONFIDENTIAL

Removing the Blower Modules

The blower module weighs 20.5 lb (9.3 kg). By removing the upper blower module from the chassis, you reduce the top-end weight of the chassis by the weight of the blower module. Unless you plan to strip all components to reduce the overall weight of the chassis so you can shift the chassis by lifting it manually, there is no advantage in removing the lower blower module. Remove the blower modules as described in the [“Removing the Blower Modules”](#) section on page 3-14.

Removing the Cards from the Chassis Card Cages

Unless you plan to strip all components to reduce the overall weight of the chassis so you can shift the chassis by lifting it manually, there is no advantage in removing the cards from the card cages. Reducing the overall weight of the chassis is offset by the requirement to store the cards in an ESD-preventive and dust proof (for fiber-optic cards) environment.

If you elect to remove the cards from the chassis card cages, remove the cards as described in [Chapter 3, “Installing the Router.”](#)

- [Removing the Cards from the Upper Card Cage, page 3-18,](#)
- [Removing the Cards from the Lower Card Cage, page 3-20,](#)
- [Removing the Cards from the Switch Fabric Card Cage, page 3-22](#)

Detaching the Supplemental Bonding and Grounding Connection

If your router has one or more bonding and grounding cables attached to any of the bonding and grounding receptacles on the chassis, you must detach these cable lugs from the chassis before you remove the chassis from the equipment rack.

Detach the bonding and grounding cable lugs from the chassis as instructed in the [“Detaching the Supplemental Bonding and Grounding Connection”](#) section on page 5-104.

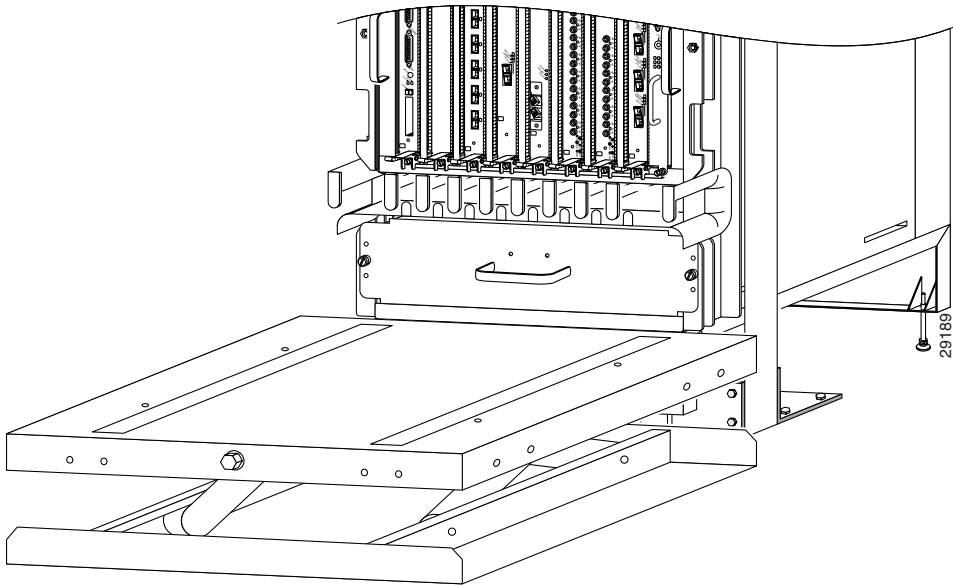
REVIEW DRAFT – CISCO CONFIDENTIAL

Removing the Router from the Equipment Rack

This section describes how to remove a fully-loaded router from the equipment rack using the scissor-jack platform. If you elected to empty the chassis before attempting to remove it from the equipment rack, remove the chassis as described in the “[Removing and Installing a Chassis](#)” section on page 5-53.

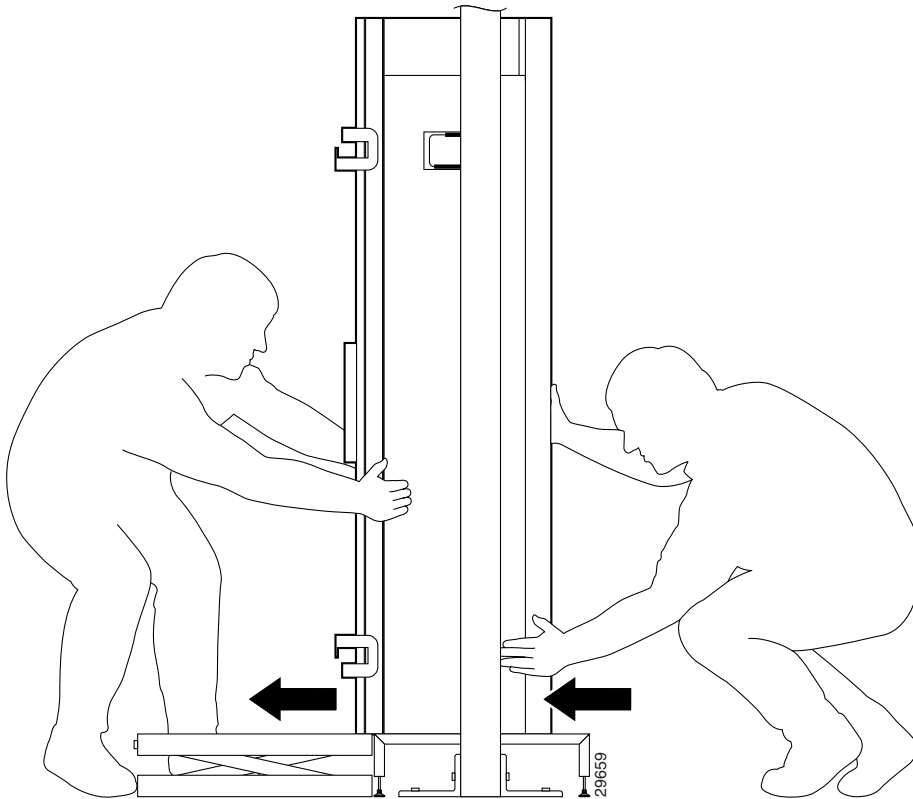
To remove a fully-loaded router from the equipment rack using the scissor-jack platform, follow these steps:

-
- Step 1** Working from the top of the chassis down, remove the screws that secure the chassis to the mounting flanges on the rack (five screws on each side of the chassis).
 - Step 2** Position the scissor-jack platform in front of the rack-mounting platform installed in the bottom of the rack, with the screw on the scissor-jack platform facing away from the front of the router and the back of the scissor-jack platform butted against the front of the rack-mounting platform.
 - Step 3** Use the 3/4-in (19-mm) socket and ratchet wrench to turn the scissor-jack screw counterclockwise and expand the scissor-jack platform so that the top of the platform is level with the top of the rack-mounting table under the chassis. (See [Figure A-3](#).)

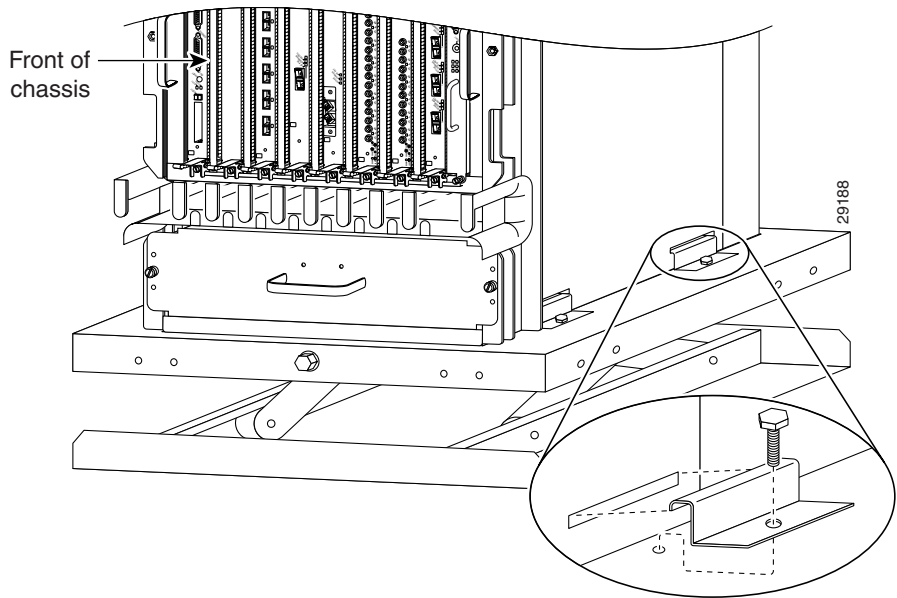
REVIEW DRAFT – CISCO CONFIDENTIAL**Figure A-3** Preparing the Scissor-Jack Platform**Warning**

Do not attempt to lift the chassis with the handles on the back and sides of the chassis. These handles are not designed to support the weight of the chassis, and should be used only to steady and guide the chassis while it is being inserted into or removed from an equipment rack. To reduce the risk of damage to the chassis and serious bodily injury, do not use these handles to lift or support the chassis.

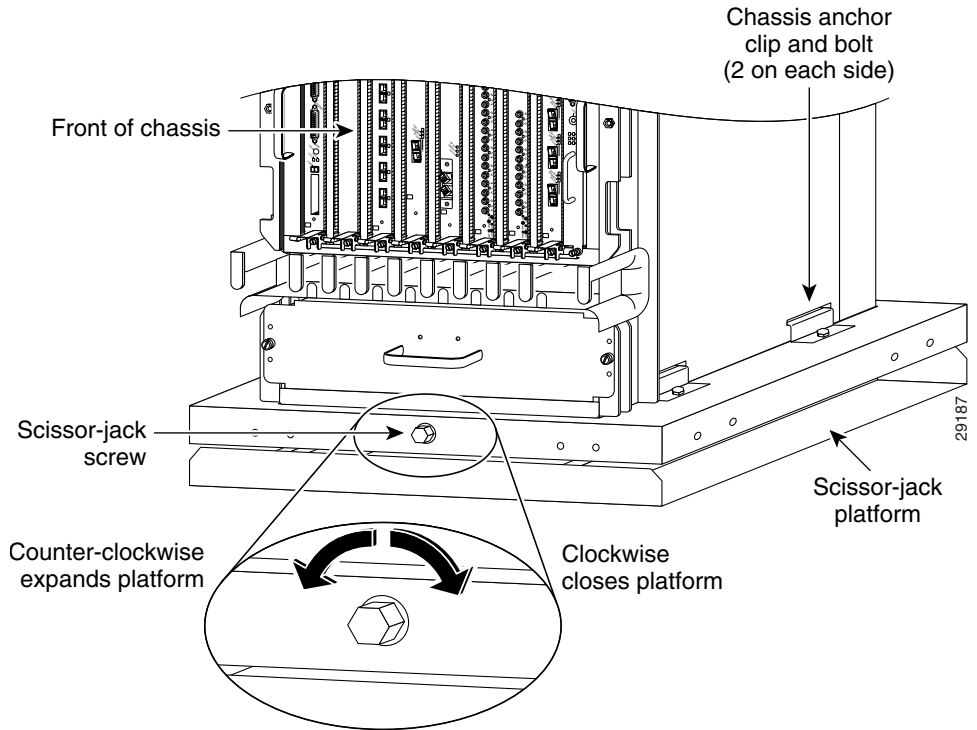
- Step 4** Position one person in front of the router to support and guide it while the second person slowly pushes the router to slide it off the rack-mounting table, out of the rack, and onto the scissor-jack platform. (See [Figure A-4](#).)

REVIEW DRAFT – CISCO CONFIDENTIAL**Figure A-4** Transferring the Router to the Scissor-Jack Platform

- Step 5** With one person positioned on the side of the router to prevent it from tipping, install the four chassis anchor clips through the slots in the bottom of the chassis, align the holes with the bolt holes in the platform, and insert and tighten the four bolts to prevent the chassis from shifting on the scissor-jack platform. (See [Figure A-5](#).)

REVIEW DRAFT – CISCO CONFIDENTIAL**Figure A-5** Installing the Chassis Anchor Clips

- Step 6** With one person positioned on the side of the router to prevent it from tipping, use the 3/4-inch (19-mm) socket and ratchet wrench to turn the scissor-jack screw clockwise slowly and close the scissor-jack platform to lower the chassis. (See [Figure A-6](#).)

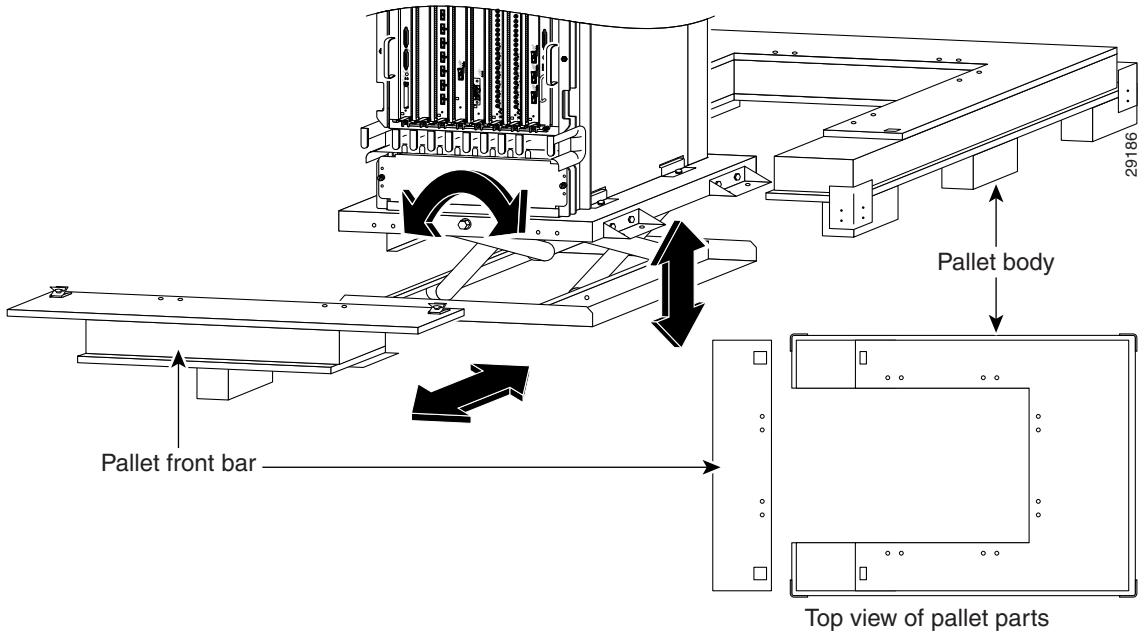
REVIEW DRAFT – CISCO CONFIDENTIAL**Figure A-6 Closing the Scissor-Jack Platform to Lower the Chassis**

- Step 7** Position the safety hand truck at one side of the router, slide the router and scissor-jack platform onto the safety hand truck, and secure the router to the hand truck with the locking safety strap.
- Step 8** Tilt the safety hand truck onto its outrigger wheels to move the chassis to a level, open space with a solid floor, where the chassis can be repackaged for shipping.

REVIEW DRAFT – CISCO CONFIDENTIAL**Installing the Router on the Shipping Pallet**

Figure A-7 shows how to install the router and scissor-jack platform on the shipping pallet.

Figure A-7 *Installing the Router and Scissor-Jack Platform on the Pallet*



REVIEW DRAFT – CISCO CONFIDENTIAL

To reinstall the router and scissor-jack platform on the shipping pallet, use [Figure A-7](#) as a reference and follow these steps:

-
- Step 1** Use the hand truck to move the chassis to a level, open space with a solid floor.
 - Step 2** Tilt the chassis upright so that it stands on the scissor-jack platform, then remove the hand truck.
 - Step 3** Use the bolts from the original shipping package to attach the eight hold-down brackets to the sides of the scissor-jack platform (two brackets on each side).



Note The hold-down brackets are *not* symmetrical: The bracket plate that fastens to the side of the scissor-jack platform is narrower than the bracket plate that fastens to the top of the pallet, and has smaller diameter bolt holes.

- Step 4** Position the U-shaped pallet body behind the scissor-jack platform with the opening facing the back panel of the router.
- Step 5** Use the 3/4-inch (19-mm) socket and ratchet wrench to turn the scissor-jack screw slowly counterclockwise to expand the scissor-jack platform and raise the top of the scissor-jack platform high enough for the hold-down brackets to clear the top of the pallet body.
- Step 6** Slide the pallet body around the scissor-jack platform.
- Step 7** Slide the pallet front bar into the opening on the pallet body and use the hinge locks to secure it as instructed in these steps:
 - a. Pivot the butterfly handle on the hinge lock up so that it is perpendicular to the body of the hinge lock.
 - b. Twist the butterfly handle counterclockwise to extend the hinge lock hook to its maximum reach.
 - c. Lower the hinge lock hook over the hinge lock catch on the pallet body.
 - d. Twist the butterfly handle clockwise to clamp the hinge lock hook on the hinge lock catch on the pallet body.
 - e. Pivot the butterfly lever down onto the hinge lock body so that it lies flat.

REVIEW DRAFT – CISCO CONFIDENTIAL

- Step 8** Shift the pallet to ensure that it is positioned evenly all the way around the scissor-jack platform and the bolt holes in the hold-down brackets on the sides of the scissor-jack platform are aligned with the holes in the top of the shipping pallet.
- Step 9** Turn the scissor-jack screw slowly clockwise to close the scissor-jack platform and lower the top of the scissor-jack platform slowly until the hold-down brackets touch the top of the shipping pallet.
- Step 10** Set a blocking plate into the hold-down bracket so that the blank side of the blocking plate is against the heads of the bolts in the side of the scissor-jack platform and the open holes in the blocking plate align with the bolt holes in the top of the pallet.
- Step 11** Insert bolts through each of the hold-down bracket holes and into the holes in the top of the shipping pallet, then use the 9/16-inch (14-mm) wrench to tighten the bolts.
- Step 12** Turn the scissor-jack screw slowly clockwise to collapse the scissor-jack platform and raise the base of the scissor-jack platform until the weight of the router and scissor-jack platform is absorbed by the pallet. Continue turning the scissor-jack screw clockwise to close the scissor-jack platform and lift the base of the scissor-jack platform until the scissor-jack platform is completely closed (the screw can not be turned).
-

REVIEW DRAFT – CISCO CONFIDENTIAL

Reinstalling Components in the Router

If you elected to remove components from the chassis before removing it from the rack, you must now reinstall all the components in the chassis.

Reinstalling the Cards in the Upper and Lower Card Cages

Reinstall all of the cards from the upper and lower card cages in their original slots.

- Reinstall all of the cards in the upper card cage as instructed in the [“Reinstalling the Cards in the Upper Card Cage”](#) section on page 3-52.
- Reinstall all of the cards in the lower card cage as instructed in the [“Reinstalling the Cards in the Lower Card Cage”](#) section on page 3-53.



Caution

Any unoccupied card slot in the upper or lower card cages must have a blank filler panel installed for electromagnetic compatibility (EMC) and to ensure proper air flow through the chassis. When the faceplate of a line card does not completely fill the card slot opening, a narrow card filler panel must be installed for electromagnetic compatibility (EMC) and to ensure proper air flow through the chassis.

Reinstalling the Cards in the Switch Fabric Card Cage

Reinstall all of the cards from the switch fabric card cage in their original slots as instructed in the [“Reinstalling the Cards in the Switch Fabric Card Cage”](#) section on page 3-50.

Replacing the Blower Modules

Replace the blower modules as instructed in the [“Reinstalling the Blower Modules”](#) section on page 3-47.

Reinstalling the Power Modules

If you removed AC-input power supplies from the chassis, reinstall each power supply as instructed in the [“Installing AC-Input Power Supplies”](#) section on page 3-75.

REVIEW DRAFT – CISCO CONFIDENTIAL

If you removed DC-input power entry modules, reinstall each power entry module as instructed in the [“Installing DC-Input Power Entry Modules”](#) section on page 3-78.

Reinstalling the Front Covers

When the router is repackaged for shipping, two foam inserts must be paced around the top of the router. To avoid interference with the foam inserts, the front cover for the power shelf and upper blower module should not be reinstalled on the router. It must be placed in its original box and packaged in the accessories boxed.

Reinstall the other front covers as instructed in the [“Installing the Front Covers”](#) section on page 3-39.

Repackaging the Router Accessories

To protect the accessories and the router from damage during shipment, you must repackage the router accessories in their original packaging and reassemble the accessories boxes into a package that is packed against the back panel of the router on the deck of the pallet body.

Repackaging the Rack-Mounting Platform

To repackage the rack-mounting platform, follow these steps:

-
- Step 1** Remove the screws that fasten the angle brackets to the sides of the rack-mounting platform.
 - Step 2** Place the screws and brackets in a plastic bag.
 - Step 3** Screw the threaded leveling feet completely into the legs of the platform.
 - Step 4** Turn the platform on its top and place it in its accessories box.
 - Step 5** Place the bag of screws and brackets in the accessories box.
 - Step 6** Place the corrugated pad foam side down on top of the platform.
 - Step 7** Close and seal the platform accessories box.
-

REVIEW DRAFT – CISCO CONFIDENTIAL

Repackaging the Vertical Cable-Management Troughs

To repackage the vertical cable-management troughs, follow these steps:

-
- Step 1** Place the six screws in a plastic bag.
 - Step 2** Insert the trough into the long plastic bag.
 - Step 3** Put the foam cap on each end of the trough.
 - Step 4** Place the trough and the bag of screws into the corrugated carton.
 - Step 5** Close and seal the carton.
 - Step 6** Repeat [Step 1](#) through [Step 5](#) for the second trough.
-

Repackaging the Center-Mount Rack-Mounting Brackets

If you used the optional center-mount rack-mounting brackets to install the router in the equipment rack, you must repackage the brackets.

To repackage the brackets, follow these steps:

-
- Step 1** Remove the brackets from the rack and place all of the screws in a plastic bag.
 - Step 2** Turn the brackets so the screw rails are interlocked.
 - Step 3** Hold the brackets together and put the two foam caps on the ends of the brackets.
 - Step 4** Place the brackets and the bag of screws into the corrugated carton.
 - Step 5** Close and seal the carton.
-

REVIEW DRAFT – CISCO CONFIDENTIAL

Repackaging the Miscellaneous Accessories

To repackaging the all of the miscellaneous accessory pieces, follow these steps:

-
- Step 1** Put the box containing the front cover for the power shelf and upper blower module into the large miscellaneous accessories box.
 - Step 2** Put all of the other miscellaneous accessory pieces in the box.
 - Step 3** Close and seal the carton.
-

Reassembling the Accessories Package

Figure A-2 shows an exploded view of the pieces that make up the accessories package for the router. To reassemble the accessory box package, use Figure A-2 on page A-5 as a reference and follow these steps:

-
- Step 1** Place the bottom accessories package cap open side up on the floor.
 - Step 2** To insert the accessory boxes into their slots in the bottom cap, follow these steps:
 - a.** Insert the box containing the center-mount rack-mounting brackets in the center slot closest to the back panel of the router.
 - b.** Set the box containing the rack-mounting platform against the box containing the center-mount rack-mounting brackets.
 - c.** Insert one vertical cable-management trough box on either side of the box containing the rack-mounting platform.
 - d.** Place the miscellaneous accessories box on top of the rack-mounting platform box, between the two trough boxes.
 - Step 3** Place the top accessories package cap over the ends of the accessories boxes and push it down to hold all the boxes together.
-

REVIEW DRAFT – CISCO CONFIDENTIAL

Completing the Repackaging

To repackage the router, use [Figure A-1 on page A-4](#) as a reference and follow these steps:

-
- Step 1** Verify that the anchor clips fastening the chassis to the scissor-jack platform are installed correctly and that the bolts are tight.
 - Step 2** Verify that the bolts fastening the hold-down brackets to the sides of the scissor-jack platform and the top of the pallet are tight.
 - Step 3** Pull the plastic bag over the router to protect it against electrostatic discharge (ESD) and dust.
 - Step 4** Place the side of the accessories package with the single box containing the center-mount rack-mounting brackets against the back panel of the router on the extended deck of the pallet body.
 - Step 5** Place the folded corrugated spacer on top of the accessories package, then place the two foam inserts around the top of the router.
 - Step 6** To install the U-shaped, corrugated side panels, use [Figure A-1 on page A-4](#) as a reference and follow these steps:
 - a.** Set the long side of one panel on the pallet base such that it sits inside the bead-boards attached to the outside corners of the pallet riser blocks and against the side of the pallet platform.
 - b.** Set the narrow end flaps of the panel inside the bead-boards attached to the outside corners of the pallet riser blocks.
 - c.** Position the opposite U-shaped side panel such that one narrow end flap is inside the narrow end flap of the first U-shaped side panel, while the other narrow end flap is outside the narrow end flap of the first U-shaped side panel.



Note Because the two U-shaped side panels are identical, interlocking them in this fashion maintains the correct overall container dimensions and strength.

REVIEW DRAFT – CISCO CONFIDENTIAL

- Step 7** To fasten the two U-shaped side panels together, use [Figure A-1 on page A-4](#) as a reference and follow these steps.
- Starting at one of the top holes on one narrow side panel, align the holes in the inner and outer corrugated panels.
 - Open a plastic locking clip by pulling the wedge block out of the clip.
 - Insert the clip into the hole, then pivot the wedge block into the opening on the body of the clip and push firmly until it snaps into place, spreading the butterfly tabs and locking the inner and out side panels together.
 - Repeat steps [a.](#) and [c.](#) for the remaining holes on the narrow side panel.
 - Repeat steps [a.](#) through [d.](#) for the opposite narrow side panel.
- Step 8** Set the corrugated top cap on top of the container side panels and push it down.
- Step 9** Use a strapping machine to wrap two straps end-to-end and two straps side-to-side over the top of the shipping container to secure it to the pallet.
- Your router is now repackaged and ready to be transported. Use a forklift or pallet jack to move the repackaged router.
-

Repackaging the Replaced Router Chassis

This section describes how to repackage a defective chassis to return it to the factory.

**Note**

Because the packaging scheme for a bare chassis is very similar to the packaging scheme for a fully-equipped router, the process for repackaging a bare chassis is very similar to the process of packaging a fully-equipped router.

REVIEW DRAFT – CISCO CONFIDENTIAL

This section contains the following information and procedures:

- [The Router Replacement Chassis Shipping Container, page A-25](#)
- [Tools and Equipment, page A-25](#)
- [Safety Recommendations, page A-25](#)
- [Reinstalling the Replaced Chassis on the Shipping Pallet, page A-25](#)
- [Repackaging the Replaced Chassis for Shipment, page A-26](#)

The Router Replacement Chassis Shipping Container

Except for the difference in the foam cushion that sits between the top of the bare chassis, the shipping container for the bare chassis is very similar to the shipping container shown in [Figure A-1 on page A-4](#) and described in the “[The Router Shipping Package](#)” section on [page A-2](#), earlier in this appendix.

Tools and Equipment

For a list of the items needed to repack the replaced chassis, refer to the “[Tools and Equipment](#)” section on [page A-25](#), earlier in this appendix.

Safety Recommendations

For a summary of the safety information you should review before you begin the procedures in this section, refer to the “[Safety Recommendations](#)” section on [page A-25](#), earlier in this appendix.

Reinstalling the Replaced Chassis on the Shipping Pallet

Reinstall the replaced chassis and scissor-jack platform on the shipping pallet as described in the “[Installing the Router on the Shipping Pallet](#)” section on [page A-16](#), earlier in this appendix.

REVIEW DRAFT – CISCO CONFIDENTIAL**Repackaging the Replaced Chassis for Shipment**

Repackage the replaced chassis for shipment as described in the [“Completing the Repackaging”](#) section on page A-23, earlier in this appendix.

Free Manuals Download Website

<http://myh66.com>

<http://usermanuals.us>

<http://www.somanuals.com>

<http://www.4manuals.cc>

<http://www.manual-lib.com>

<http://www.404manual.com>

<http://www.luxmanual.com>

<http://aubethermostatmanual.com>

Golf course search by state

<http://golfingnear.com>

Email search by domain

<http://emailbydomain.com>

Auto manuals search

<http://auto.somanuals.com>

TV manuals search

<http://tv.somanuals.com>