



Cisco RPS 675 Redundant Power System Hardware Installation Guide

February 2008

Americas Headquarters

Cisco Systems, Inc.
170 West Tasman Drive
San Jose, CA 95134-1706
USA
<http://www.cisco.com>
Tel: 408 526-4000
800 553-NETS (6387)
Fax: 408 527-0883

Text Part Number: 78-15201-04

THE SPECIFICATIONS AND INFORMATION REGARDING THE PRODUCTS IN THIS MANUAL ARE SUBJECT TO CHANGE WITHOUT NOTICE. ALL STATEMENTS, INFORMATION, AND RECOMMENDATIONS IN THIS MANUAL ARE BELIEVED TO BE ACCURATE BUT ARE PRESENTED WITHOUT WARRANTY OF ANY KIND, EXPRESS OR IMPLIED. USERS MUST TAKE FULL RESPONSIBILITY FOR THEIR APPLICATION OF ANY PRODUCTS.

THE SOFTWARE LICENSE AND LIMITED WARRANTY FOR THE ACCOMPANYING PRODUCT ARE SET FORTH IN THE INFORMATION PACKET THAT SHIPPED WITH THE PRODUCT AND ARE INCORPORATED HEREIN BY THIS REFERENCE. IF YOU ARE UNABLE TO LOCATE THE SOFTWARE LICENSE OR LIMITED WARRANTY, CONTACT YOUR CISCO REPRESENTATIVE FOR A COPY.

The following information is for FCC compliance of Class A devices: This equipment has been tested and found to comply with the limits for a Class A digital device, pursuant to part 15 of the FCC rules. These limits are designed to provide reasonable protection against harmful interference when the equipment is operated in a commercial environment. This equipment generates, uses, and can radiate radio-frequency energy and, if not installed and used in accordance with the instruction manual, may cause harmful interference to radio communications. Operation of this equipment in a residential area is likely to cause harmful interference, in which case users will be required to correct the interference at their own expense.

The following information is for FCC compliance of Class B devices: The equipment described in this manual generates and may radiate radio-frequency energy. If it is not installed in accordance with Cisco's installation instructions, it may cause interference with radio and television reception. This equipment has been tested and found to comply with the limits for a Class B digital device in accordance with the specifications in part 15 of the FCC rules. These specifications are designed to provide reasonable protection against such interference in a residential installation. However, there is no guarantee that interference will not occur in a particular installation.

Modifying the equipment without Cisco's written authorization may result in the equipment no longer complying with FCC requirements for Class A or Class B digital devices. In that event, your right to use the equipment may be limited by FCC regulations, and you may be required to correct any interference to radio or television communications at your own expense.

You can determine whether your equipment is causing interference by turning it off. If the interference stops, it was probably caused by the Cisco equipment or one of its peripheral devices. If the equipment causes interference to radio or television reception, try to correct the interference by using one or more of the following measures:

- Turn the television or radio antenna until the interference stops.
- Move the equipment to one side or the other of the television or radio.
- Move the equipment farther away from the television or radio.
- Plug the equipment into an outlet that is on a different circuit from the television or radio. (That is, make certain the equipment and the television or radio are on circuits controlled by different circuit breakers or fuses.)

Modifications to this product not authorized by Cisco Systems, Inc. could void the FCC approval and negate your authority to operate the product.

The Cisco implementation of TCP header compression is an adaptation of a program developed by the University of California, Berkeley (UCB) as part of UCB's public domain version of the UNIX operating system. All rights reserved. Copyright © 1981, Regents of the University of California.

NOTWITHSTANDING ANY OTHER WARRANTY HEREIN, ALL DOCUMENT FILES AND SOFTWARE OF THESE SUPPLIERS ARE PROVIDED "AS IS" WITH ALL FAULTS. CISCO AND THE ABOVE-NAMED SUPPLIERS DISCLAIM ALL WARRANTIES, EXPRESSED OR IMPLIED, INCLUDING, WITHOUT LIMITATION, THOSE OF MERCHANTABILITY, FITNESS FOR A PARTICULAR PURPOSE AND NONINFRINGEMENT OR ARISING FROM A COURSE OF DEALING, USAGE, OR TRADE PRACTICE.

IN NO EVENT SHALL CISCO OR ITS SUPPLIERS BE LIABLE FOR ANY INDIRECT, SPECIAL, CONSEQUENTIAL, OR INCIDENTAL DAMAGES, INCLUDING, WITHOUT LIMITATION, LOST PROFITS OR LOSS OR DAMAGE TO DATA ARISING OUT OF THE USE OR INABILITY TO USE THIS MANUAL, EVEN IF CISCO OR ITS SUPPLIERS HAVE BEEN ADVISED OF THE POSSIBILITY OF SUCH DAMAGES.

Any Internet Protocol (IP) addresses used in this document are not intended to be actual addresses. Any examples, command display output, and figures included in the document are shown for illustrative purposes only. Any use of actual IP addresses in illustrative content is unintentional and coincidental.

CCDE, CCVP, Cisco Eos, Cisco StadiumVision, the Cisco logo, DCE, and Welcome to the Human Network are trademarks; Changing the Way We Work, Live, Play, and Learn is a service mark; and Access Registrar, Aironet, AsyncOS, Bringing the Meeting To You, Catalyst, CCDA, CCDP, CCIE, CCIP, CCNA, CCNP, CCSP, Cisco, the Cisco Certified Internetwork Expert logo, Cisco IOS, Cisco Press, Cisco Systems, Cisco Systems Capital, the Cisco Systems logo, Cisco Unity, Collaboration Without Limitation, Enterprise/Solver, EtherChannel, EtherFast, EtherSwitch, Event Center, Fast Step, Follow Me Browsing, FormShare, GigaDrive, HomeLink, Internet Quotient, IOS, iPhone, IP/TV, iQ Expertise, the iQ logo, iQ Net Readiness Scorecard, iQuick Study, IronPort, the IronPort logo, LightStream, Linksys, MediaTone, MeetingPlace, MGX, Networkers, Networking Academy,

Network Registrar, PCNow, PIX, PowerPanels, ProConnect, ScriptShare, SenderBase, SMARTnet, Spectrum Expert, StackWise, The Fastest Way to Increase Your Internet Quotient, TransPath, WebEx, and the WebEx logo are registered trademarks of Cisco Systems, Inc. and/or its affiliates in the United States and certain other countries.

All other trademarks mentioned in this document or Website are the property of their respective owners. The use of the word partner does not imply a partnership relationship between Cisco and any other company. (0801R)

Any Internet Protocol (IP) addresses used in this document are not intended to be actual addresses. Any examples, command display output, and figures included in the document are shown for illustrative purposes only. Any use of actual IP addresses in illustrative content is unintentional and coincidental.

Cisco RPS 675 Redundant Power System Hardware Installation Guide

© 2003–2008 Cisco Systems, Inc. All rights reserved.



CONTENTS

Cisco Limited Lifetime Hardware Warranty Terms ix

Preface xiii

Audience xiii

Purpose xiii

Organization xiv

Conventions xiv

Statement 1071—Warning Definition xv

Related Publications xxiii

Obtaining Documentation and Submitting a Service Request xxiv

CHAPTER 1

Product Overview 1-1

Features 1-2

Front-Panel Description 1-3

LEDs 1-3

Standby/Active Button 1-6

Rear-Panel Description 1-8

Deployment Strategies 1-9

CHAPTER 2

Installation 2-1

Preparing for Installation 2-1

Warnings 2-2

- EMC Regulatory Statements 2-4
 - U.S.A. 2-4
 - Statement 257—Class A Notice for Taiwan and Other Traditional Chinese Markets 2-4
 - Statement 191—VCCI Class A Warning for Japan 2-5
 - Statement 294—Class A Warning for Korea 2-5
 - Statement 256—Class A Warning for Hungary 2-6
 - Site Requirements 2-7
 - Verifying the Package Contents 2-7
- Installing the Switch 2-8
 - Table or Shelf-Mounting 2-8
 - Rack-Mounting 2-9
 - Planning Your Rack-Mount Installation 2-9
 - Tools and Equipment Required 2-10
 - Attaching the Brackets to the RPS 2-10
 - Mounting the RPS in a Rack 2-14
- Connecting the RPS 675 2-14

CHAPTER 3**Troubleshooting 3-1**

APPENDIX A**Technical Specifications A-1**

APPENDIX B**Connector and Cable Specifications B-1**

APPENDIX C**Translated Safety Warnings C-1**

- Statement 17B—Overtemperature Warning C-2
- Statement 43—Jewelry Removal Warning C-5
- Statement 48—Stacking the Chassis Warning C-7
- Statement 100C—Attaching the Cisco RPS (model PWR675-AC-RPS-N1) C-9

Statement 265—Redundant Power Supply Connection Warning	C-10
Statement 1001—Work During Lightning Activity	C-12
Statement 1004—Installation Instructions	C-13
Statement 1006—Chassis Warning for Rack-Mounting and Servicing	C-15
Statement 1017—Restricted Area	C-25
Statement 1019—Main Disconnecting Device	C-28
Statement 1024—Ground Conductor	C-30
Statement 1030—Equipment Installation	C-34
Statement 1040—Product Disposal	C-36
Statement 1073—No User-Serviceable Parts	C-38
Statement 1074—Comply with Local and National Electrical Codes	C-41

INDEX



Cisco Limited Lifetime Hardware Warranty Terms

There are special terms applicable to your hardware warranty and various services that you can use during the warranty period. Your formal Warranty Statement, including the warranties and license agreements applicable to Cisco software, is available on Cisco.com. Follow these steps to access and download the *Cisco Information Packet* and your warranty and license agreements from Cisco.com.

1. Launch your browser, and go to this URL:

http://www.cisco.com/univercd/cc/td/doc/es_inpk/cetrans.htm

The Warranties and License Agreements page appears.

2. To read the *Cisco Information Packet*, follow these steps:

- a. Click the **Information Packet Number** field, and make sure that the part number 78-5235-03C0 is highlighted.
- b. Select the language in which you would like to read the document.
- c. Click **Go**.

The Cisco Limited Warranty and Software License page from the Information Packet appears.

- d. Read the document online, or click the **PDF** icon to download and print the document in Adobe Portable Document Format (PDF).



Note You must have Adobe Acrobat Reader to view and print PDF files. You can download the reader from Adobe's website: <http://www.adobe.com>

3. To read translated and localized warranty information about your product, follow these steps:
 - a. Enter this part number in the Warranty Document Number field:
78-6310-02C0
 - b. Select the language in which you would like to view the document.
 - c. Click **Go**.
The Cisco warranty page appears.
 - d. Read the document online, or click the **PDF** icon to download and print the document in Adobe Portable Document Format (PDF).

You can also contact the Cisco service and support website for assistance:

http://www.cisco.com/public/Support_root.shtml.

Duration of Hardware Warranty

A Cisco product hardware warranty is supported for as long as the original end user continues to own or use the product, provided that the fan and power supply warranty is limited to five (5) years. In the event of a discontinuance of product manufacture, the Cisco warranty support is limited to five (5) years from the announcement of the discontinuance.

Replacement, Repair, or Refund Policy for Hardware

Cisco or its service center will use commercially reasonable efforts to ship a replacement part within ten (10) working days after receipt of the Return Materials Authorization (RMA) request. Actual delivery times can vary, depending on the customer location.

Cisco reserves the right to refund the purchase price as its exclusive warranty remedy.

To Receive a Return Materials Authorization (RMA) Number

Contact the company from whom you purchased the product. If you purchased the product directly from Cisco, contact your Cisco Sales and Service Representative.

Complete the information below, and keep it for reference.

Company product purchased from	
Company telephone number	
Product model number	
Product serial number	
Maintenance contract number	



Preface

Audience

This publication is designed for people who have some experience installing networking equipment such as routers, hubs, servers, and switches. We assume the person installing and troubleshooting the RPS 675 is familiar with electronic circuitry and wiring practices and has experience as an electronic or electromechanical technician.

Purpose

This guide documents the hardware features of the Cisco Redundant Power System (RPS) 675. It describes the physical and performance characteristics of the RPS 675, explains how to install the RPS, and provides troubleshooting information.

The RPS 675 provides redundant power for a number of products. Switches in the Catalyst 2950 and Catalyst 3550 families are supported by the Cisco RPS 675 redundant power system (model PWR675-AC-RPS-N1=). The Cisco RPS 675 does not support the Catalyst 3550-24-DC switches.

To determine if your switch can use the RPS 675, refer to your switch documentation or to the online *RPS 675 Switch Compatibility Matrix* (posted with the RPS 675 documentation on www.cisco.com) for the latest complete list of supported products.

Organization

This guide is organized into the following chapters:

- [Chapter 1, “Product Overview,”](#) is a physical and functional overview of the Cisco RPS 675 redundant power system. It describes the features, the LEDs and includes examples of how the Cisco RPS 675 could be deployed.
- [Chapter 2, “Installation,”](#) contains the procedures on how to install the RPS 675 on a rack, table, or shelf, and how to connect the RPS 675 to supported devices.
- [Chapter 3, “Troubleshooting,”](#) describes how to identify and resolve some of the problems that might arise when installing the switch.
- [Appendix A, “Technical Specifications,”](#) lists the RPS 675 physical and environmental specifications and the regulatory agency approvals.
- [Appendix B, “Connector and Cable Specifications,”](#) describes the connectors, cables, and adapters that can be used to connect to the RPS 675.
- [Appendix C, “Translated Safety Warnings,”](#) contains translations in various languages for the safety warnings in this guide.

Conventions

This document uses these conventions and symbols for notes, cautions, and warnings:



Note

Means *reader take note*. Notes contain helpful suggestions or references to materials not contained in this manual.



Caution

Means *reader be careful*. In this situation, you might do something that could result in equipment damage or loss of data.

Statement 1071—Warning Definition



Warning

IMPORTANT SAFETY INSTRUCTIONS

This warning symbol means danger. You are in a situation that could cause bodily injury. Before you work on any equipment, be aware of the hazards involved with electrical circuitry and be familiar with standard practices for preventing accidents. Use the statement number provided at the end of each warning to locate its translation in the translated safety warnings that accompanied this device. Statement 1071

SAVE THESE INSTRUCTIONS

Waarschuwing

BELANGRIJKE VEILIGHEIDSINSTRUCTIES

Dit waarschuwingssymbool betekent gevaar. U verkeert in een situatie die lichamelijk letsel kan veroorzaken. Voordat u aan enige apparatuur gaat werken, dient u zich bewust te zijn van de bij elektrische schakelingen betrokken risico's en dient u op de hoogte te zijn van de standaard praktijken om ongelukken te voorkomen. Gebruik het nummer van de verklaring onderaan de waarschuwing als u een vertaling van de waarschuwing die bij het apparaat wordt geleverd, wilt raadplegen.

BEWAAR DEZE INSTRUCTIES

Varoitus

TÄRKEITÄ TURVALLISUUSOHJEITA

Tämä varoitusmerkki merkitsee vaaraa. Tilanne voi aiheuttaa ruumiillisia vammoja. Ennen kuin käsittelet laitteistoa, huomioi sähköpiirien käsittelemiseen liittyvät riskit ja tutustu onnettomuuksien yleisiin ehkäisytapoihin. Turvallisuusvaroitusten käännökset löytyvät laitteen mukana toimitettujen käännettyjen turvallisuusvaroitusten joukosta varoitusten lopussa näkyvien lausuntonumeroiden avulla.

SÄILYTÄ NÄMÄ OHJEET

Attention IMPORTANTES INFORMATIONS DE SÉCURITÉ

Ce symbole d'avertissement indique un danger. Vous vous trouvez dans une situation pouvant entraîner des blessures ou des dommages corporels. Avant de travailler sur un équipement, soyez conscient des dangers liés aux circuits électriques et familiarisez-vous avec les procédures couramment utilisées pour éviter les accidents. Pour prendre connaissance des traductions des avertissements figurant dans les consignes de sécurité traduites qui accompagnent cet appareil, référez-vous au numéro de l'instruction situé à la fin de chaque avertissement.

CONSERVEZ CES INFORMATIONS**Warnung WICHTIGE SICHERHEITSHINWEISE**

Dieses Warnsymbol bedeutet Gefahr. Sie befinden sich in einer Situation, die zu Verletzungen führen kann. Machen Sie sich vor der Arbeit mit Geräten mit den Gefahren elektrischer Schaltungen und den üblichen Verfahren zur Vorbeugung vor Unfällen vertraut. Suchen Sie mit der am Ende jeder Warnung angegebenen Anweisungsnummer nach der jeweiligen Übersetzung in den übersetzten Sicherheitshinweisen, die zusammen mit diesem Gerät ausgeliefert wurden.

BEWAHREN SIE DIESE HINWEISE GUT AUF.**Avvertenza IMPORTANTI ISTRUZIONI SULLA SICUREZZA**

Questo simbolo di avvertenza indica un pericolo. La situazione potrebbe causare infortuni alle persone. Prima di intervenire su qualsiasi apparecchiatura, occorre essere al corrente dei pericoli relativi ai circuiti elettrici e conoscere le procedure standard per la prevenzione di incidenti. Utilizzare il numero di istruzione presente alla fine di ciascuna avvertenza per individuare le traduzioni delle avvertenze riportate in questo documento.

CONSERVARE QUESTE ISTRUZIONI

Advarsel VIKTIGE SIKKERHETSINSTRUKSJONER

Dette advarselssymbolet betyr fare. Du er i en situasjon som kan føre til skade på person. Før du begynner å arbeide med noe av utstyret, må du være oppmerksom på farene forbundet med elektriske kretser, og kjenne til standardprosedyrer for å forhindre ulykker. Bruk nummeret i slutten av hver advarsel for å finne oversettelsen i de oversatte sikkerhetsadvarslene som fulgte med denne enheten.

TA VARE PÅ DISSE INSTRUKSJONENE**Aviso INSTRUÇÕES IMPORTANTES DE SEGURANÇA**

Este símbolo de aviso significa perigo. Você está em uma situação que poderá ser causadora de lesões corporais. Antes de iniciar a utilização de qualquer equipamento, tenha conhecimento dos perigos envolvidos no manuseio de circuitos elétricos e familiarize-se com as práticas habituais de prevenção de acidentes. Utilize o número da instrução fornecido ao final de cada aviso para localizar sua tradução nos avisos de segurança traduzidos que acompanham este dispositivo.

GUARDE ESTAS INSTRUÇÕES**¡Advertencia! INSTRUCCIONES IMPORTANTES DE SEGURIDAD**

Este símbolo de aviso indica peligro. Existe riesgo para su integridad física. Antes de manipular cualquier equipo, considere los riesgos de la corriente eléctrica y familiarícese con los procedimientos estándar de prevención de accidentes. Al final de cada advertencia encontrará el número que le ayudará a encontrar el texto traducido en el apartado de traducciones que acompaña a este dispositivo.

GUARDE ESTAS INSTRUCCIONES

Varning! VIKTIGA SÄKERHETSANVISNINGAR

Denna varningssignal signalerar fara. Du befinner dig i en situation som kan leda till personskada. Innan du utför arbete på någon utrustning måste du vara medveten om farorna med elkretsar och känna till vanliga förfaranden för att förebygga olyckor. Använd det nummer som finns i slutet av varje varning för att hitta dess översättning i de översatta säkerhetsvarningar som medföljer denna anordning.

SPARA DESSA ANVISNINGAR**Figyelem****FONTOS BIZTONSÁGI ELOÍRÁSOK**

Ez a figyelmeztető jel veszélyre utal. Sérülésveszélyt rejte helyzetben van. Mielőtt bármely berendezésen munkát végezte, legyen figyelemmel az elektromos áramkörök okozta kockázatokra, és ismerkedjen meg a szokásos balesetvédelmi eljárásokkal. A kiadványban szereplő figyelmeztetések fordítása a készülékhez mellékelt biztonsági figyelmeztetések között található; a fordítás az egyes figyelmeztetések végén látható szám alapján kereshető meg.

ORIZZE MEG EZEKET AZ UTASÍTÁSOKAT!**Предупреждение****ВАЖНЫЕ ИНСТРУКЦИИ ПО СОБЛЮДЕНИЮ ТЕХНИКИ БЕЗОПАСНОСТИ**

Этот символ предупреждения обозначает опасность. То есть имеет место ситуация, в которой следует опасаться телесных повреждений. Перед эксплуатацией оборудования выясните, каким опасностям может подвергаться пользователь при использовании электрических цепей, и ознакомьтесь с правилами техники безопасности для предотвращения возможных несчастных случаев. Воспользуйтесь номером заявления, приведенным в конце каждого предупреждения, чтобы найти его переведенный вариант в переводе предупреждений по безопасности, прилагаемом к данному устройству.

СОХРАНИТЕ ЭТИ ИНСТРУКЦИИ

警告 重要的安全性说明

此警告符号代表危险。您正处于可能受到严重伤害的工作环境中。在您使用设备开始工作之前，必须充分意识到触电的危险，并熟练掌握防止事故发生的标准工作程序。请根据每项警告结尾提供的声明号码来找到此设备的安全性警告说明的翻译文本。

请保存这些安全性说明

警告 安全上の重要な注意事項

「危険」の意味です。人身事故を予防するための注意事項が記述されています。装置の取り扱い作業を行うときは、電気回路の危険性に注意し、一般的な事故防止策に留意してください。警告の各国語版は、各注意事項の番号を基に、装置に付属の「Translated Safety Warnings」を参照してください。

これらの注意事項を保管しておいてください。

주의 重要 안전 지침

이 경고 기호는 위험을 나타냅니다. 작업자가 신체 부상을 일으킬 수 있는 위험한 환경에 있습니다. 장비에 작업을 수행하기 전에 전기 회로와 관련된 위험을 숙지하고 표준 작업 관례를 숙지하여 사고를 방지하십시오. 각 경고의 마지막 부분에 있는 경고문 번호를 참조하여 이 장치와 함께 제공되는 번역된 안전 경고문에서 해당 번역문을 찾으십시오.

이 지시 사항을 보관하십시오.

Aviso **INSTRUÇÕES IMPORTANTES DE SEGURANÇA**

Este símbolo de aviso significa perigo. Você se encontra em uma situação em que há risco de lesões corporais. Antes de trabalhar com qualquer equipamento, esteja ciente dos riscos que envolvem os circuitos elétricos e familiarize-se com as práticas padrão de prevenção de acidentes. Use o número da declaração fornecido ao final de cada aviso para localizar sua tradução nos avisos de segurança traduzidos que acompanham o dispositivo.

GUARDE ESTAS INSTRUÇÕES

Advarsel VIGTIGE SIKKERHEDSANVISNINGER

Dette advarselssymbol betyder fare. Du befinder dig i en situation med risiko for legemeskade. Før du begynder arbejde på udstyr, skal du være opmærksom på de involverede risici, der er ved elektriske kredsløb, og du skal sætte dig ind i standardprocedurer til undgåelse af ulykker. Brug erklæringsnummeret efter hver advarsel for at finde oversættelsen i de oversatte advarsler, der fulgte med denne enhed.

GEM DISSE ANVISNINGER

تحذير

إرشادات الأمان الهامة

يوضح رمز التحذير هذا وجود خطر. وهذا يعني أنك متواجد في مكان قد ينتج عنه التعرض لإصابات. قبل بدء العمل، احذر مخاطر التعرض للصدمات الكهربائية وكن على علم بالإجراءات القياسية للحيلولة دون وقوع أي حوادث. استخدم رقم البيان الموجود في آخر كل تحذير لتحديد مكان ترجمته داخل تحذيرات الأمان المترجمة التي تأتي مع الجهاز. قم بحفظ هذه الإرشادات

Upozorenje VAŽNE SIGURNOSNE NAPOMENE

Ovaj simbol upozorenja predstavlja opasnost. Nalazite se u situaciji koja može prouzročiti tjelesne ozljede. Prije rada s bilo kojim uređajem, morate razumjeti opasnosti vezane uz električne sklopove, te biti upoznati sa standardnim načinima izbjegavanja nesreća. U prevedenim sigurnosnim upozorenjima, priloženima uz uređaj, možete prema broju koji se nalazi uz pojedino upozorenje pronaći i njegov prijevod.

SAČUVAJTE OVE UPUTE

Upozornění **DŮLEŽITÉ BEZPEČNOSTNÍ POKYNY**

Tento upozorňující symbol označuje nebezpečí. Jste v situaci, která by mohla způsobit nebezpečí úrazu. Před prací na jakémkoliv vybavení si uvědomte nebezpečí související s elektrickými obvody a seznamte se se standardními opatřeními pro předcházení úrazům. Podle čísla na konci každého upozornění vyhledejte jeho překlad v přeložených bezpečnostních upozorněních, která jsou přiložena k zařízení.

USCHOVEJTE TYTO POKYNY

Προειδοποίηση **ΣΗΜΑΝΤΙΚΕΣ ΟΔΗΓΙΕΣ ΑΣΦΑΛΕΙΑΣ**

Αυτό το προειδοποιητικό σύμβολο σημαίνει κίνδυνο. Βρίσκεστε σε κατάσταση που μπορεί να προκαλέσει τραυματισμό. Πριν εργαστείτε σε οποιοδήποτε εξοπλισμό, να έχετε υπόψη σας τους κινδύνους που σχετίζονται με τα ηλεκτρικά κυκλώματα και να έχετε εξοικειωθεί με τις συνήθεις πρακτικές για την αποφυγή ατυχημάτων. Χρησιμοποιήστε τον αριθμό δήλωσης που παρέχεται στο τέλος κάθε προειδοποίησης, για να εντοπίσετε τη μετάφρασή της στις μεταφρασμένες προειδοποιήσεις ασφαλείας που συνοδεύουν τη συσκευή.

ΦΥΛΑΞΤΕ ΑΥΤΕΣ ΤΙΣ ΟΔΗΓΙΕΣ

אזהרה

הוראות בטיחות חשובות

סימן אזהרה זה מסמל סכנה. אתה נמצא במצב העלול לגרום לפציעה. לפני שתעבוד עם ציוד כלשהו, עליך להיות מודע לסכנות הכרוכות במעגלים חשמליים ולהכיר את הנהלים המקובלים למניעת תאונות. השתמש במספר ההוראה המסופק בסופה של כל אזהרה כדי לאתר את התרגום באזהרות הבטיחות המתורגמות שמצורפות להתקן.

שמור הוראות אלה

Opomena **ВАЖНИ БЕЗБЕДНОСНИ НАПАТСТВИЈА**
Симболот за предупредување значи опасност. Се наоѓате во ситуација што може да предизвика телесни повреди. Пред да работите со опремата, бидете свесни за ризикот што постои кај електричните кола и треба да ги познавате стандардните постапки за спречување на несреќни случаи. Искористете го бројот на изјавата што се наоѓа на крајот на секое предупредување за да го најдете неговиот период во преведените безбедносни предупредувања што се испорачани со уредот.
ЧУВАЈТЕ ГИ ОБИЕ НАПАТСТВИЈА

Ostrzeżenie WAŻNE INSTRUKCJE DOTYCZĄCE BEZPIECZEŃSTWA

Ten symbol ostrzeżenia oznacza niebezpieczeństwo. Zachodzi sytuacja, która może powodować obrażenia ciała. Przed przystąpieniem do prac przy urządzeniach należy zapoznać się z zagrożeniami związanymi z układami elektrycznymi oraz ze standardowymi środkami zapobiegania wypadkom. Na końcu każdego ostrzeżenia podano numer, na podstawie którego można odszukać tłumaczenie tego ostrzeżenia w dołączonym do urządzenia dokumencie z tłumaczeniami ostrzeżeń.

NINIEJSZE INSTRUKCJE NALEŻY ZACHOWAĆ

Upozornenie DŔLEŽITÉ BEZPEČNOSTNÉ POKYNY

Tento varovný symbol označuje nebezpečenstvo. Nachádzate sa v situácii s nebezpečenstvom úrazu. Pred prácou na akomkoľvek vybavení si uvedomte nebezpečenstvo súvisiace s elektrickými obvodmi a oboznámte sa so štandardnými opatreniami na predchádzanie úrazom. Podľa čísla na konci každého upozornenia vyhľadajte jeho preklad v preložených bezpečnostných upozorneniach, ktoré sú priložené k zariadeniu.

USCHOVAJTE SI TENTO NÁVOD**Opozorilo POMEMBNI VARNOSTNI NAPOTKI**

Ta opozorilni simbol pomeni nevarnost. Nahajate se v situaciji, kjer lahko pride do telesnih poškodb. Preden pričnete z delom na napravi, se morate zavedati nevarnosti udara električnega toka, ter tudi poznati preventivne ukrepe za preprečevanje takšnih nevarnosti. Uporabite obrazložitevno številko na koncu posameznega opozorila, da najdete opis nevarnosti v priloženem varnostnem priročniku.

SHRANITE TE NAPOTKE!

Related Publications

For information about the devices that the Cisco RPS 675 supports, refer to the documents for those devices. These documents are available on www.cisco.com and include:

- *The Catalyst 3750 Switch Hardware Installation Guide*
- *The Catalyst 3560 Switch Hardware Installation Guide*
- *The Catalyst 3550 Multilayer Switch Hardware Installation Guide*
- *The Catalyst 2970 Switch Hardware Installation Guide*
- *The Catalyst 2950 Switch Hardware Installation Guide*

Also refer to your switch documentation and to the online *RPS 675 Switch Compatibility Matrix* (posted with the RPS 675 documentation on www.cisco.com) for a list of the latest products supported by the RPS 675. The online matrix is available at this location:

<http://www.cisco.com/univercd/cc/td/doc/product/lan/c3550/rps675/index.htm>

Obtaining Documentation and Submitting a Service Request

For information on obtaining documentation, submitting a service request, and gathering additional information, see the monthly *What's New in Cisco Product Documentation*, which also lists all new and revised Cisco technical documentation, at:

<http://www.cisco.com/en/US/docs/general/whatsnew/whatsnew.html>

Subscribe to the *What's New in Cisco Product Documentation* as a Really Simple Syndication (RSS) feed and set content to be delivered directly to your desktop using a reader application. The RSS feeds are a free service and Cisco currently supports RSS version 2.0.



CHAPTER 1

Product Overview

The Cisco RPS 675 Redundant Power System (RPS), model PWR675-AC-RPS-N1=, provides N+1 redundancy. The RPS 675 provides seamless failover to internal power supply failures for one of up to six switches. The RPS 675 automatically senses when a connected device has experienced an internal power supply failure. It then begins to supply power to the device. The RPS supplies power until the power supply of the failed device is replaced or the device is replaced. You can then return the RPS to active mode so that it is available to supply power to another device.



Note

The RPS 675 does not support an automatic switchover to the internal power supply. You must press the Standby/Active button on the RPS so that the switch again uses the internal power supply.

If a connected device fails, the RPS 675 sends status information to the other connected devices and to network management software. This status information alerts administration that these devices are not supported until the failed device or the power supply of the failed device is brought up or replaced. To achieve one-to-one redundancy, you must connect each device to a different RPS 675.



Note

The RPS 675 is designed to provide backup for internal power supply failures of connected device power supplies. It is not designed to act as a backup power source that protects against losses of power due to external power outages. We recommend using an uninterruptible power system (UPS) as protection against power outages.

The RPS 675 was designed to support specific Cisco products; some other Cisco products are supported by the Cisco 675W RPS. Connectors are not interchangeable.

Consult your switch documentation or the online *RPS 675 Switch Compatibility Matrix* that is available with the RPS 675 documentation on Cisco.com for a complete list of supported products.

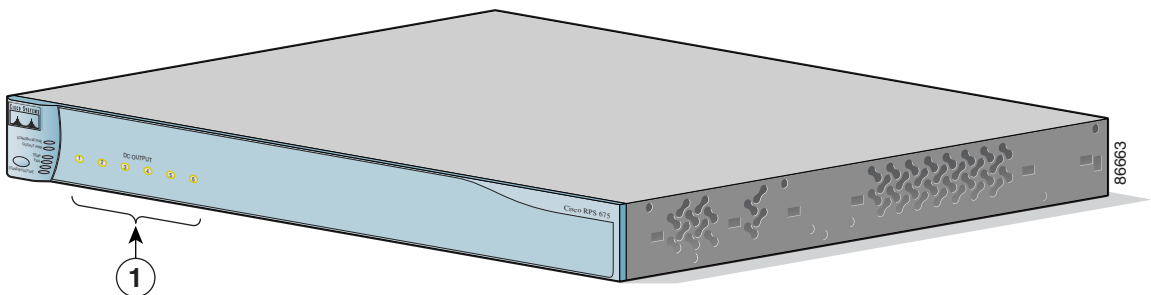
This chapter provides a functional overview of the RPS 675 and includes these topics:

- [Features, page 1-2](#)
- [Front-Panel Description, page 1-3](#)
- [Rear-Panel Description, page 1-8](#)
- [Deployment Strategies, page 1-9](#)

Features

The Cisco RPS 675 is shown in [Figure 1-1](#).

Figure 1-1 RPS 675 RPS



1	DC output LEDs
----------	----------------

The RPS 675 has these features:

- Six output channels to support multiple devices
- RPS status information available through the network management application on the device

- Front-panel LEDs to show status for each output channel, internal power supplies, fans, and temperature
- Quick switchover capability to ensure that the switch does not reboot if the internal switch power supply should fail
- Support for telephone-enabled 24-port devices
- Small form-factor suitable for rack-mounting to provide maximum wiring closet port density
- Two output levels:
 - –48 VDC with a maximum output of 375 W
 - 12 VDC with a maximum output of 300 W

The two output levels provide a maximum total output power of 675 W. The –48 VDC mode powers telephone systems in Power over Ethernet (PoE) switches.

- A single 48-inch (1.2-meter) 16-pin-to-14-pin connector cable (CAB-RPS-1614=) to allow connection to an external device. Additional cables can be ordered separately.

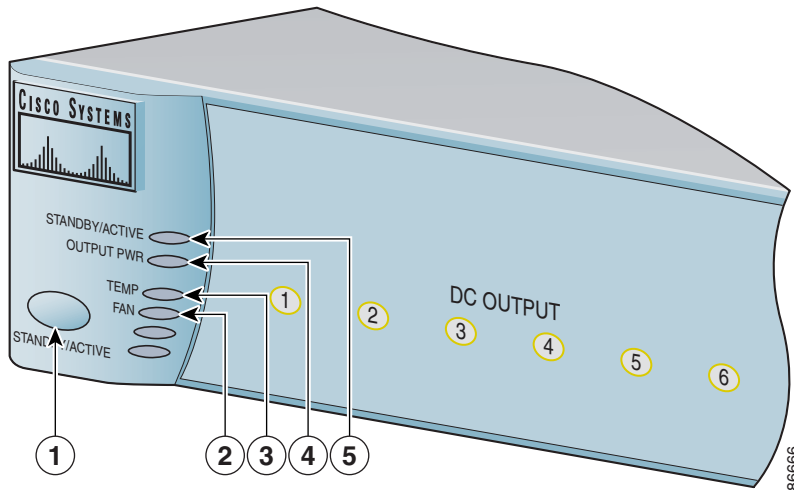
Front-Panel Description

The RPS 675 front panel includes the status LEDs for the RPS and a Standby/Active button.

LEDs

[Figure 1-2](#) shows the Cisco RPS 675 LEDs. The LEDs display the status of the RPS and show whether the RPS is powering a connected device. LEDs can be off, green, or amber. [Table 1-1](#) lists the status LEDs and the meanings of the colors.

Figure 1-2 RPS 675 Front-Panel LEDs



1	Standby/Active button	4	Output power LED
2	Fan LED	5	Standby/Active LED
3	Temperature LED		

Table 1-1 Status LEDs

LED	Off	Green	Amber
STANDBY/ ACTIVE	The RPS 675 is not powered up.	The RPS 675 is in active mode and available to back-up a failed device.	(Blinking) The RPS is in standby mode. You can connect devices to the RPS, and it does not attempt to back them up until you press the Standby/Active button and place the RPS into active mode.
OUTPUT PWR	The RPS 675 is not powered up.	The RPS 675 internal power supplies are up and running.	The DC output power is not functioning correctly.
TEMP	The RPS 675 is not powered up.	The RPS 675 internal temperature is in the acceptable range.	The RPS 675 is approaching an overtemperature condition.
FAN	The RPS 675 is not powered up.	The fan (blower) is running.	The blower is not operating properly.

The six DC output LEDs display the status of the six output connectors that you use to connect to supported devices. The output LEDs are numbered 1 to 6, which corresponds to the numbers on the DC outputs. [Table 1-2](#) lists the meanings of the colors.

Table 1-2 DC Output LEDs

Color	DC Output Status
Off	No device is connected to the output connector.
Green	A device is connected to the output connector.
Blinking green	The RPS is unavailable to the connected device. The RPS is providing power to another connected device.

Table 1-2 DC Output LEDs (continued)

Color	DC Output Status
Blinking amber	The RPS is providing power to the connected device; the output is active.
Amber	The RPS is in standby mode or in a fault condition.

Standby/Active Button

The RPS 675 has a front panel Standby/Active button.



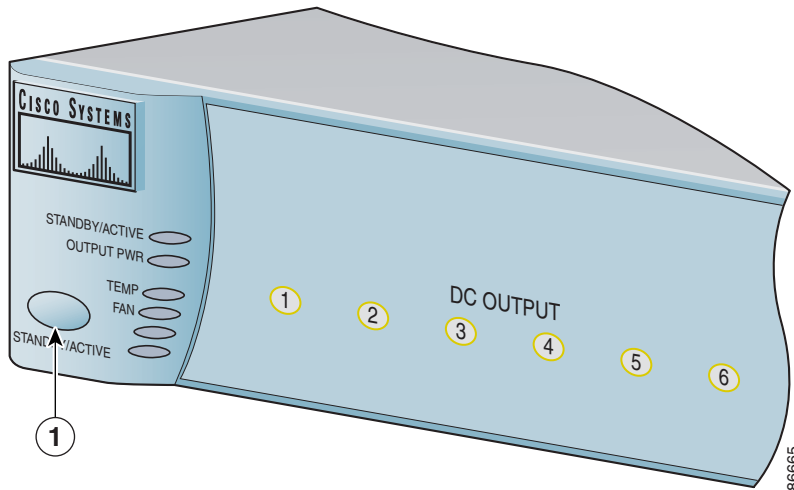
Note

The RPS is in active mode (Standby/Active LED green) when it powers up. It must be in standby mode every time you connect devices to it.

If you connect a device to the RPS when it is in active mode (Standby/Active LED green), the RPS might unnecessarily begin supplying backup power to the device. This situation might occur if you connect the device before it is powered up, or if the RPS does not immediately sense that the device power supply was supplying power. In this case, the RPS would not be available as a backup power source for other connected devices.

[Figure 1-3](#) shows the Standby/Active button. Press the **Standby/Active** button to change the RPS 675 from active mode to standby mode when you connect devices. When you change the mode to active, the Standby/Active LED turns green.

Figure 1-3 Standby/Active Button



1	Standby/Active button
----------	-----------------------

When you want to connect additional devices, press the **Standby/Active** button to place the RPS in standby mode. The Standby/Active LED flashes amber. When you have connected and powered up all devices, press the **Standby/Active** button again to put the RPS into active mode.

**Note**

When the RPS is in standby mode, all of the DC Output LEDs are amber.

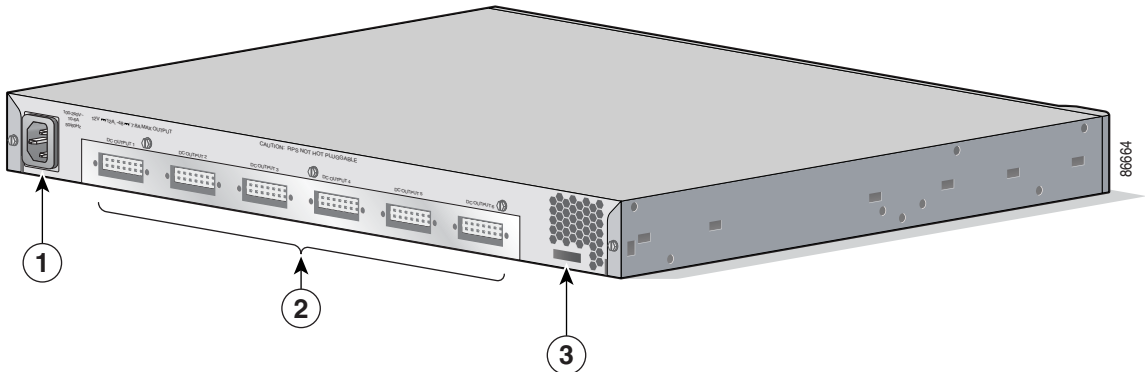
**Note**

When the RPS is in standby mode, the RPS LED that is on the connected device is amber; this means that the RPS is connected but is not functioning. When you press the Standby/Active button, the RPS LED that is on the connected device changes to green to show that the RPS is operating properly.

Rear-Panel Description

The RPS 675 rear panel has an AC power input connector and six DC output connectors (numbered 1 to 6) to connect to supported devices. (See [Figure 1-4](#)).

Figure 1-4 RPS 675 Rear Panel



1	AC input connector	3	Fan exhaust
2	DC output connectors		

Use the supplied AC power cord to connect to an AC power outlet.

The DC output connectors require a Cisco 16-pin-to-14-pin cable (CAB-RPS-1614=) to connect to supported devices. (One cable is supplied with the RPS; you can order additional cables separately.) The 16-pin connector plugs into the RPS, and the 14-pin connector plugs into the device. Use only the Cisco cable for this connection.



Warning

Attach only the Cisco RPS 675 (model PWR675-AC-RPS-N1=) to the RPS receptacle. Statement 100C

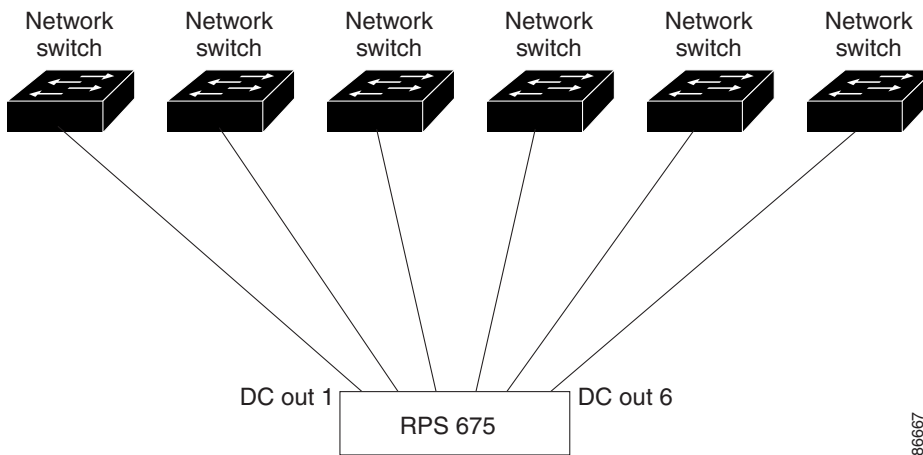
Deployment Strategies

You can deploy the Cisco RPS 675 in a variety of situations with mission-critical applications.

One application might be in a voice and data network in which switches (such as a Catalyst 3550-24PWR or a Catalyst 3750-48PS switch) are connected to Cisco IP phones and PCs. Connecting an RPS 675 to the switches can prevent voice network failures that are caused by switch failures.

Another application might be that of using traditional data 10/100/1000 Ethernet switches that carry mission-critical data. These applications would typically use one RPS to support one to six switches as shown in [Figure 1-5](#).

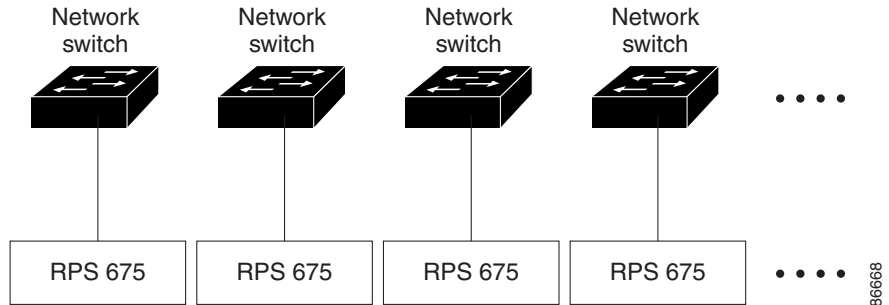
Figure 1-5 RPS 675 Supporting a Group of Switches



In this configuration, if one device has a power-supply or power-related failure, the RPS 675 immediately begins to supply power to this device and is no longer available as a backup power source for the other devices. The RPS sends status information to network management software to alert the system administrator that the other devices are not supported until the failed device or the power supply in the failed device is repaired or replaced.

When the network supports mission-critical applications that require one-to-one redundancy, an RPS 675 is connected to each supported device to ensure that each switch is always supported. This one-to-one redundant configuration is shown in [Figure 1-6](#).

Figure 1-6 RPS 675 Supporting One-to-One Redundancy





CHAPTER 2

Installation

This chapter describes how to install and connect the Cisco Redundant Power System (RPS) 675 and includes these topics:

- [Preparing for Installation, page 2-1](#)
- [Installing the Switch, page 2-8](#)
- [Connecting the RPS 675, page 2-14](#)

Preparing for Installation

Read these sections and perform the procedures in the order that they are presented:

- [Warnings, page 2-2](#)
- [EMC Regulatory Statements, page 2-4](#)
- [Site Requirements, page 2-7](#)
- [Verifying the Package Contents, page 2-7](#)

Warnings

These warnings are translated into several languages in [Appendix C, “Translated Safety Warnings.”](#)



To prevent the switch from overheating, do not operate it in an area that exceeds the maximum recommended ambient temperature of 113°F (45°C). To prevent airflow restriction, allow at least 3 inches (7.6 cm) of clearance around the ventilation openings. Statement 17B



Before working on equipment that is connected to power lines, remove jewelry (including rings, necklaces, and watches). Metal objects will heat up when connected to power and ground and can cause serious burns or weld the metal object to the terminals. Statement 43



Attach only the Cisco RPS (model PWR675-AC-RPS-N1) to the RPS receptacle. Statement 100C



If a redundant power system (RPS) is not connected to the switch, install an RPS connector cover on the back of the switch. Statement 265



Do not work on the system or connect or disconnect cables during periods of lightning activity. Statement 1001



Read the installation instructions before connecting the system to the power source. Statement 1004

**Warning**

To prevent bodily injury when mounting or servicing this unit in a rack, you must take special precautions to ensure that the system remains stable. The following guidelines are provided to ensure your safety:

- **This unit should be mounted at the bottom of the rack if it is the only unit in the rack.**
- **When mounting this unit in a partially filled rack, load the rack from the bottom to the top with the heaviest component at the bottom of the rack.**
- **If the rack is provided with stabilizing devices, install the stabilizers before mounting or servicing the unit in the rack.** Statement 1006

**Warning**

This unit is intended for installation in restricted access areas. A restricted access area can be accessed only through the use of a special tool, lock and key, or other means of security. Statement 1017

**Warning**

The plug-socket combination must be accessible at all times, because it serves as the main disconnecting device. Statement 1019

**Warning**

This equipment must be grounded. Never defeat the ground conductor or operate the equipment in the absence of a suitably installed ground conductor. Contact the appropriate electrical inspection authority or an electrician if you are uncertain that suitable grounding is available. Statement 1024

**Warning**

Only trained and qualified personnel should be allowed to install, replace, or service this equipment. Statement 1030

**Warning**

Ultimate disposal of this product should be handled according to all national laws and regulations. Statement 1040

**Warning**

No user-serviceable parts inside. Do not open. Statement 1073

**Warning**

Installation of the equipment must comply with local and national electrical codes. Statement 1074

In addition, you should always follow these guidelines:

- Do not work alone if potentially hazardous conditions exist.
- Never assume that power is disconnected from a circuit. Always check.

EMC Regulatory Statements

This section includes specific regulatory statements about the Cisco 675 RPS.

U.S.A.

U.S. regulatory information for this product is in the front matter of this manual.

Statement 257—Class A Notice for Taiwan and Other Traditional Chinese Markets

**Warning**

This is a Class A Information Product, when used in residential environment, it may cause radio frequency interference, under such circumstances, the user may be requested to take appropriate countermeasures. Statement 257

警告

這是甲類資訊產品，在居住環境中使用時，可能會造成射頻干擾，在這種情況下，使用者會被要求採取某些適當的對策。

Statement 191—VCCI Class A Warning for Japan



Warning

This is a Class A product based on the standard of the Voluntary Control Council for Interference by Information Technology Equipment (VCCI). If this equipment is used in a domestic environment, radio disturbance may arise. When such trouble occurs, the user may be required to take corrective actions. Statement 191

警告 これは、情報処理装置等電波障害自主規制協議会（VCCI）の規定に基づくクラスA装置です。この装置を家庭環境で使用すると、電波妨害を引き起こすことがあります。この場合には、使用者が適切な対策を取るようにより要求されることがあります。

Statement 294—Class A Warning for Korea



Warning

This is a Class A Device and is registered for EMC requirements for industrial use. The seller or buyer should be aware of this. If this type was sold or purchased by mistake, it should be replaced with a residential-use type. Statement 294

주의 A급 기기 이 기기는 업무용으로 전자파 적합 등록을 한 기기이오니 판매자 또는 사용자는 이 점을 주의하시기 바라며 만약 잘못 판매 또는 구입하였을 때에는 가정용으로 교환하시기 바랍니다.

Statement 256—Class A Warning for Hungary



Warning

This equipment is a class A product and should be used and installed properly according to the Hungarian EMC Class A requirements (MSZEN55022). Class A equipment is designed for typical commercial establishments for which special conditions of installation and protection distance are used.

Statement 256

Figyelem

Figyelmeztetés a felhasználói kézikönyv számára: Ez a berendezés "A" osztályú termék, felhasználására és üzembe helyezésére a magyar EMC "A" osztályú követelményeknek (MSZ EN 55022) megfelelően kerülhet sor, illetve ezen "A" osztályú berendezések csak megfelelő kereskedelmi forrásból származhatnak, amelyek biztosítják a megfelelő speciális üzembe helyezési körülményeket és biztonságos üzemelési távolságok alkalmazását.

This equipment is a Class A product and should be used and installed properly according to the Hungarian EMC Class A requirements (MSZEN55022). Class A equipment is designed for typical commercial establishments for which special conditions of installation and protection distance are used.

Figyelmeztetés a felhasználói kézikönyv számára:

Ez a berendezés "A" osztályú termék, felhasználására és üzembe helyezésére a magyar EMC "A" osztályú követelményeknek (MSZ EN 55022) megfelelően kerülhet sor, illetve ezen "A" osztályú berendezések csak megfelelő kereskedelmi forrásból származhatnak, amelyek biztosítják a megfelelő speciális üzembe helyezési körülményeket és biztonságos üzemelési távolságok alkalmazását.

Site Requirements

Be sure to observe these requirements as you determine where to place the Cisco RPS:



Warning

This unit is intended for installation in restricted access areas. A restricted access area can be accessed only through the use of a special tool, lock and key, or other means of security. Statement 1017

For proper operation, where you locate the Cisco RPS is extremely important. If the equipment is placed too close together, the ventilation is inadequate, and panels are inaccessible, malfunctions and shutdowns might result, and maintenance will be difficult.

Consider this information when you plan the location of the chassis:

- Provide for access to both the front and rear panels of the RPS 675.
- Make sure that the room where the RPS 675 operates has adequate ventilation. Ambient air temperature might not cool equipment to acceptable operating temperatures without adequate ventilation. See [Appendix A](#), “[Technical Specifications](#),” for temperature requirements.

Verifying the Package Contents



Note

Carefully remove the contents from the shipping container and check each item for damage. If any item is missing or damaged, contact your Cisco representative or reseller for support. Replace all packing material into the shipping container and save it.

These items are shipped:

- The RPS 675
- This *Cisco RPS 675 Redundant Power System Hardware Installation Guide*
- *Where to Find the Catalyst Cisco RPS 675 Documentation* flyer
- Product Registration Card
- AC power cord

- One 16-pin-to-14-pin DC connector cable
- Mounting kit that contains:
 - Four rubber feet for mounting the switch on a table
 - Two mounting brackets
 - Four Phillips flat-head screws for attaching the brackets to the switch
 - Four Phillips truss-head screws for attaching the brackets to the switch
 - Four Phillips machine screws for attaching the brackets to a rack

Installing the Switch

This section describes these installation procedures:

- [Table or Shelf-Mounting, page 2-8](#)
- [Rack-Mounting, page 2-9](#)

Table or Shelf-Mounting



Warning

Do not stack the chassis on any other equipment. If the chassis falls, it can cause severe bodily injury and equipment damage. Statement 48

Follow these steps to install your chassis on a table or shelf:

-
- Step 1** Unpack the RPS 675.
 - Step 2** Attach the rubber feet from the accessory kit into the round recesses that are located on the bottom of the chassis.
 - Step 3** Place the RPS 675 chassis on an appropriate table, shelf, or desktop.
-



Note

If you have questions or need assistance, see the [“Obtaining Documentation and Submitting a Service Request”](#) section on page xxiv.

Rack-Mounting

To install the chassis in a 19-inch or 24-inch rack, follow the instructions described in these procedures.

**Note**

A 24-inch rack requires optional mounting hardware.

Planning Your Rack-Mount Installation

**Warning**

To prevent bodily injury when mounting or servicing this unit in a rack, you must take special precautions to ensure that the system remains stable. The following guidelines are provided to ensure your safety:

- **This unit should be mounted at the bottom of the rack if it is the only unit in the rack.**
- **When mounting this unit in a partially filled rack, load the rack from the bottom to the top with the heaviest component at the bottom of the rack.**
- **If the rack is provided with stabilizing devices, install the stabilizers before mounting or servicing the unit in the rack.** Statement 1006

Consider this information when you plan your equipment rack installation:

- Enclosed racks must have adequate ventilation. Make sure that the rack is not congested because each unit generates heat. The intake ports of equipment that is located higher in the rack can draw heat upward from the equipment that is located near the bottom of the rack. An enclosed rack should have louvered sides and a fan to provide cooling air.
- When mounting a chassis in an open rack, make sure that the rack frame does not block the intake or exhaust ports. If the chassis is installed on slides, check the position of the chassis when it is seated in the rack.
- Baffles can isolate exhaust air from intake air, which also helps to draw cooling air through the chassis. The best placement of the baffles depends on the airflow patterns in the rack, which you can determine by experimenting with different configurations.

- When equipment installed in a rack (particularly in an enclosed rack) fails, try this test: Operate the equipment by itself, if possible. Power off other equipment in the rack and in adjacent racks to allow the unit under test a maximum of cooling air and clean power.
- Install the RPS 675 and the external devices to which it will connect in adjacent shelves in a rack.

Tools and Equipment Required

To rack-mount the RPS 675, you need these tools and equipment:

- Number 12 Phillips screwdriver
- Number 8 Phillips screwdriver
- Screws for attaching the brackets to the RPS and the RPS to the rack
- Rack-mount brackets (19-inch or 24-inch) from the accessory kit

Attaching the Brackets to the RPS

The bracket orientation and the screws that you use depend on whether you are attaching the brackets for a 19-inch or a 24-inch rack. Use two of the supplied screws to attach each bracket, according to the following guidelines:

- For a 19-inch rack, use the supplied number-8 Phillips flat-head screws to attach the long side of the bracket to the RPS.
- For a 24-inch rack, use the supplied number-8 Phillips truss-head screws to attach the short side of the bracket to the RPS.



Note

If you install the switch in a 24-inch rack, an optional bracket kit that is not included with the switch is required. You can order a kit that contains the 24-inch rack-mounting brackets and hardware from Cisco (part number RCKMNT-1RU=).

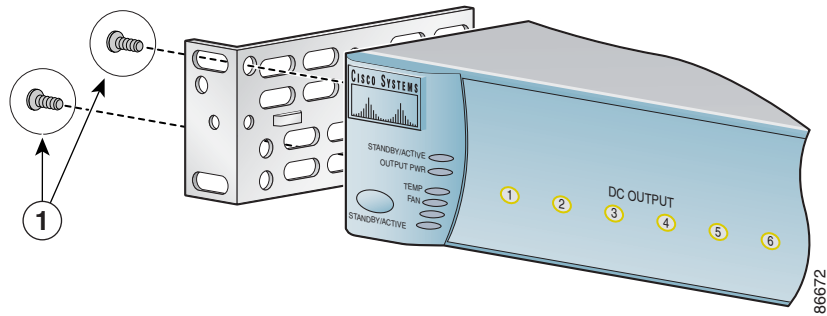
You can install the RPS into a rack with either the front panel or the rear panel facing forward.

**Note**

If you plan to use the optional cable guide, you should mount the RPS with the rear panel forward.

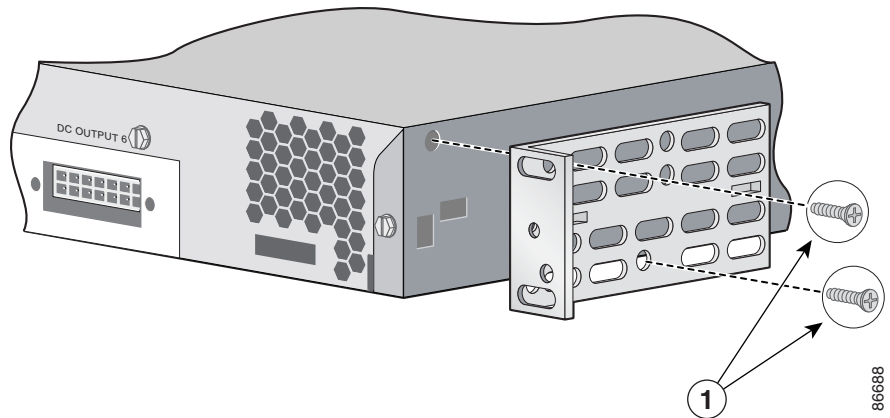
Figure 2-1 through Figure 2-4 show how to attach a bracket to one side of the RPS for installation into 19-inch or 24-inch racks with the front panel or rear panel of the RPS facing forward. Follow the same steps to attach the second bracket to the opposite side.

Figure 2-1 Attaching Brackets for 19-Inch Racks (Front Panel Forward)



1 Phillips flat-head screws

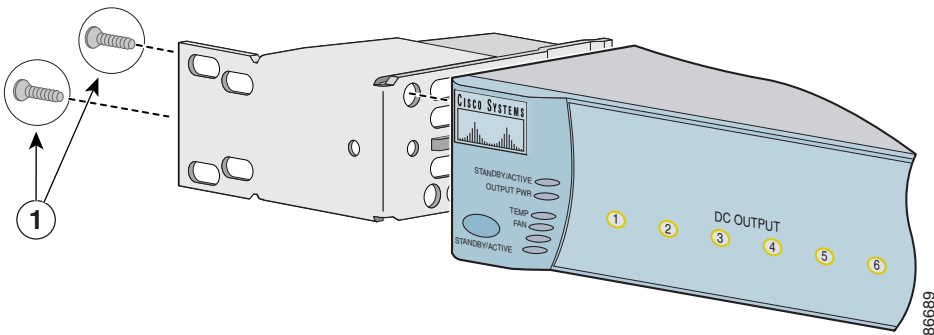
Figure 2-2 Attaching Brackets for 19-Inch Racks (Rear Panel Forward)



1 Phillips flat-head screws

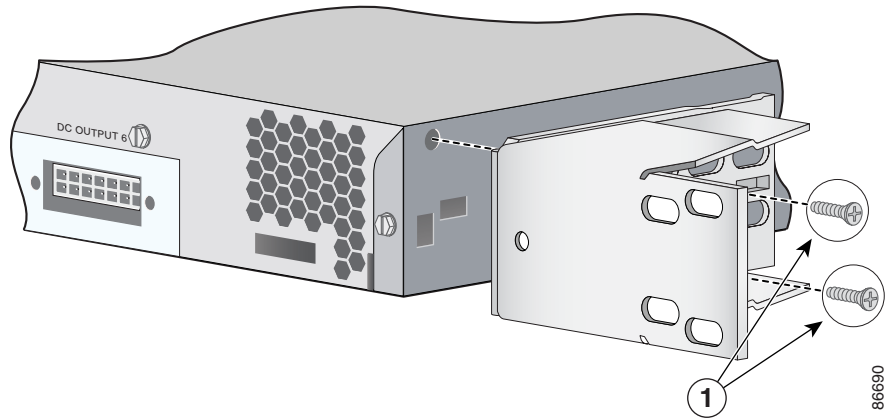
1 Phillips flat-head screws

Figure 2-3 Attaching Brackets for 24-Inch Racks (Front Panel Forward)



1 Phillips flat-head screws

Figure 2-4 Attaching Brackets for 24-Inch Racks (Rear Panel Forward)

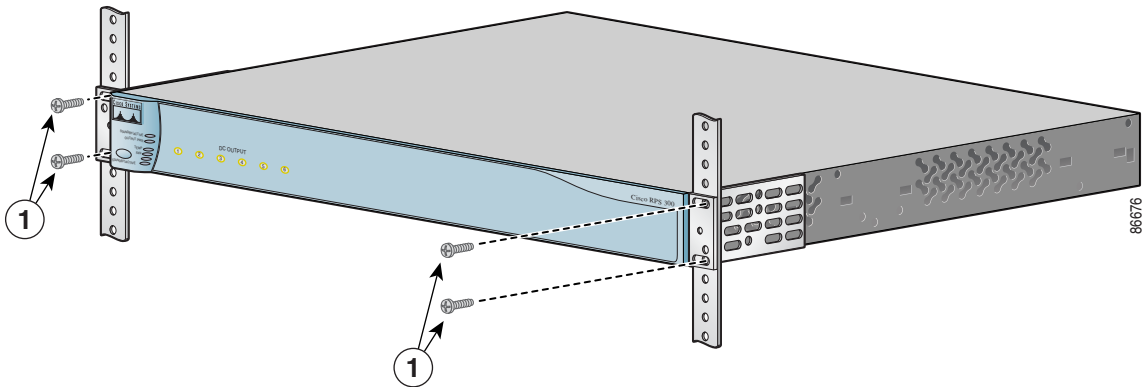


- | | |
|----------|---------------------------|
| 1 | Phillips flat-head screws |
|----------|---------------------------|

Mounting the RPS in a Rack

After the brackets are attached to the RPS, use the four supplied number-12 Phillips machine screws to securely attach the brackets to the rack, as shown in Figure 2-5.

Figure 2-5 Mounting the RPS in a Rack



1	Phillips machine screws
---	-------------------------

Connecting the RPS 675



Caution

Make sure that the RPS is either in standby mode or that the RPS AC power is disconnected before you connect the RPS to a switch. This precaution is necessary because when you connect the RPS to the AC power, the RPS automatically becomes active.



Note

Do not use different power sources to power up the RPS and the connected device. If you connect to separate AC power sources, reset conditions might occur.

**Note**

The switch might restart when it changes from RPS power to its own internal power. This situation might occur after the power supply on a switch fails, the RPS takes over, and the switch reverts to its own power. We advise you to assume this possibility and plan accordingly when you restart a switch using its internal power after using the RPS as backup power.

**Warning**

Before working on a system that has an on/off switch, turn OFF the power and unplug the power cord. Statement 1

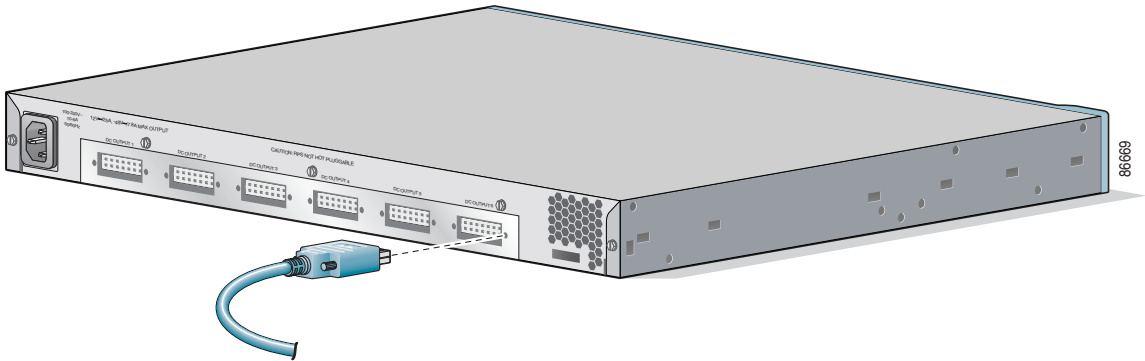
With the RPS 675 on a desktop or in a rack, connect devices as follows:

- Step 1** If the RPS is already connected to AC power, press the **Standby/Active** button on the RPS to put it into standby mode or disconnect the RPS from the AC power. If you pressed the **Standby/Active** button, the Standby/Active LED should begin blinking amber. If the Standby/Active LED does not blink amber, see [Chapter 3, “Troubleshooting.”](#)
- Step 2** Connect one end of an RPS connector cable (CAB-RPS-1614=) to an RPS DC output connector. See [Figure 2-6](#). To ensure proper operation, be sure that you completely seat the connector and that you securely tighten the screw.

**Note**

The connector is designed to be inserted into the receptacle in its correct orientation.

Figure 2-6 Connecting the Cable to the RPS 675

**Warning**

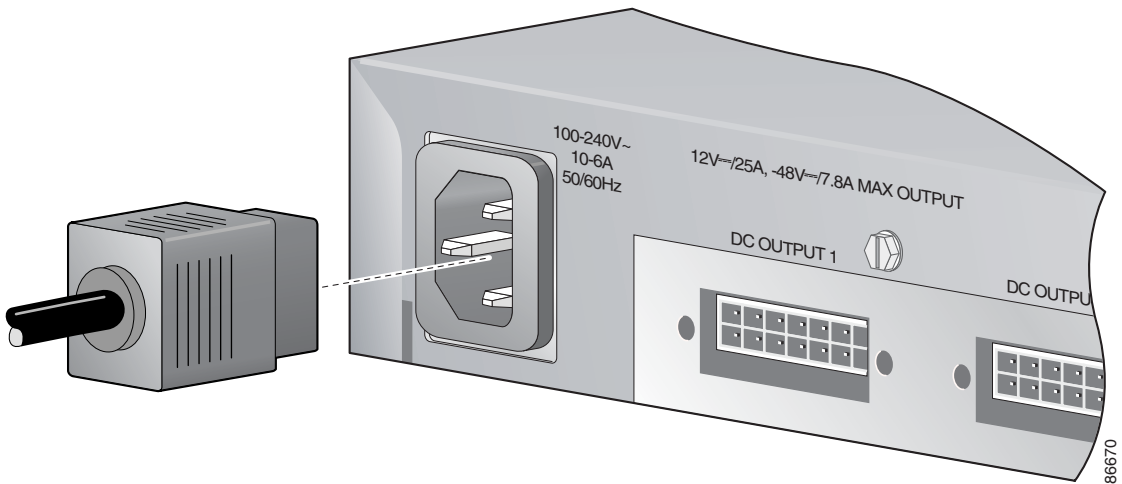
Attach only the Cisco RPS (model PWR675-AC-RPS-N1) to the RPS receptacle.
Statement 100C

- Step 3** Connect the other end of the RPS connector cable to the RPS receptacle on the switch.
- Step 4** Repeat [Step 2](#) through [Step 3](#) for each switch that the RPS 675 will support.
- Step 5** Connect all supported devices to an AC power source.



Note The RPS 675 is designed to provide backup for internal power supply failures of connected device power supplies. It is not designed to act as a backup power source that protects against losses of power due to external power outages. We recommend using an uninterruptible power system (UPS) as protection against power outages.

- Step 6** If the RPS is not already connected to AC power, connect the AC power cable to the RPS 675 as shown in [Figure 2-7](#), and connect the other end of the power cable to an AC power source.

Figure 2-7 Connecting the AC Cable to the RPS 675

Step 7 Press the RPS **Standby/Active** button to put the RPS into active mode.

The Standby/Active, Output Power, Temperature, and Fan LEDs on the RPS front panel should be green. The DC Output LEDs for the connected devices should also be green. If they are not green, see [Table 3-1 on page 3-1](#) for the appropriate action to take.



CHAPTER 3

Troubleshooting

The Cisco Redundant Power System (RPS) 675 is not repairable in the field. [Table 3-1](#) shows the appropriate action to take for specific LED indications.

Table 3-1 *LED Indications and Appropriate Action*

Symptom	Condition	Action
Standby/Active LED is blinking amber.	The RPS is in standby mode.	Press the Standby/Active button to put the RPS in active mode.
Standby/Active LED is off.	The AC power connection to one or both of the internal power supplies is faulty or not connected.	Check the AC power connection to external power. If the AC power is connected properly, the problem might be with the RPS internal power supplies.
Output Power LED is amber.	The DC output power from the internal power supplies is not available or is not functioning correctly.	An internal power supply is defective, or the RPS has reacted to an overcurrent condition. Press the Standby/Active button. If the LED color does not turn green, replace the RPS 675.
Temperature LED is amber.	The RPS 675 is approaching an overtemperature condition.	Reduce the ambient temperature.

Table 3-1 LED Indications and Appropriate Action (continued)

Symptom	Condition	Action
Fan (blower) LED is amber.	The blower is not operating properly.	The fan is defective. Replace the RPS 675.
One or more DC Output LEDs are blinking green.	The RPS is unavailable to the connected device. It is either providing power to another connected device or a fault condition exists.	Verify that the RPS is supplying power to one device. If so, this is a normal indication and will change when that external device is again supplying its own power and you press the Standby/Active button.
One or more DC Output LEDs are solid amber.	The RPS is in standby mode.	Press the Standby/Active button to put the RPS into active (or ready) mode.



APPENDIX **A**

Technical Specifications

[Table A-1](#) lists the technical specifications for the Cisco Redundant Power System (RPS) 675 (model PWR675-AC-RPS-N1=). [Table A-2](#) lists the agency approvals.

Table A-1 *Technical Specifications for the RPS 675*

Environmental Ranges	
Operating temperature	32 to 113°F (0 to 45°C)
Storage temperature	−4 to 149°F (−20 to 65°C)
Operating humidity	10 to 85% (noncondensing)
Storage humidity	5 to 95% (noncondensing)
Operating altitude	Up to 10,000 ft (3,000 m)
Storage altitude	Up to 15,000 ft (4,570 m)
Power Requirements	
AC input voltage	100 to 240 VAC (autoranging) 6 to 10 A, 50 to 60 Hz 875 W
Power delivery (available power) Total	375 W per −48 VDC output and 300 W per 12 VDC output
Standby power ¹	25 W
KVA	0.875 KVA

Table A-1 *Technical Specifications for the RPS 675 (continued)*

Physical Dimensions	
Weight	13 lb. (5.9 kg)
Dimensions (H x W x D)	1.75 x 17.5 x 14.88 in. (4.45 x 44.45 x 37.8 cm)

1. Power consumption when the power supply unit is inactive.

Table A-2 *RPS 675 Redundant Power System Agency Approvals*

Safety	EMC
UL 60950	FCC Part 15 Class A
CAN/CSA 22.2 No. 60950	BSMI
IEC 60950/EN 60950	EN 55022: 1998 (CISPR22) Class A
AS/NZS 3260, TS001	EN 55024: 1998 (CISPR24)
CE	VCCI Class A
CCC approval pending	AS/NZS 3548 Class A
CLEI code	CE
NOM	CNS 13438 Class A
	MIC



APPENDIX **B**

Connector and Cable Specifications

This appendix describes the cable connector that is used to connect the Cisco Redundant Power System (RPS) 675 to a supported device. The cable (CAB-RPS-1614=) is a 48-inch (1.2-meter) cable with a 16-pin connector on one end and a 14-pin connector on the other end. [Figure B-1](#) and [Figure B-2](#) show the connectors, and [Table B-1](#) contains the pinout information.



Note

The connector is keyed to insert into the receptacle only in its correct orientation.

Figure B-1 14-Pin Connector Pinouts

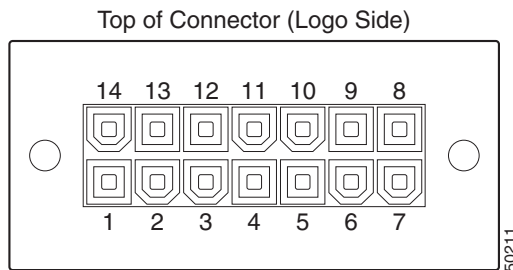
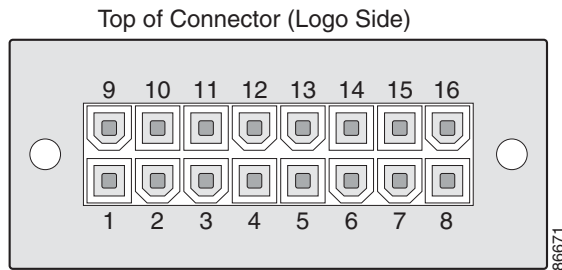


Figure B-2 16-Pin Connector Pinouts**Table B-1 14-Pin and 16-Pin Connector Pinout**

Pin Number	14-Pin Designation	16-Pin Designation
1	GND	GND-48 V
2	-48 V	-48 V
3	12 V	12 V
4	12 V	12 V
5	12 V	12 V
6	12 V	12 V
7	GND	GND-12
8	GND	GND-12
9	-48 V	GND-48 V
10	RPS_PRES (RPS present)	-48 V
11	RPS_CTRL 0	RPS_PRES (RPS present)
12	RPS_CTRL 1	RPS_CTRL 0
13	PWR_GOOD (power is good)	RPS_CTRL 1
14	GND	PWR_GOOD (power is good)
15		GND-12
16		GND-12 V



APPENDIX **C**

Translated Safety Warnings

This appendix repeats in multiple languages the warnings in this guide. These warning statements and their translations are included:

- [Statement 17B—Overtemperature Warning, page C-2](#)
- [Statement 43—Jewelry Removal Warning, page C-5](#)
- [Statement 48—Stacking the Chassis Warning, page C-7](#)
- [Statement 100C—Attaching the Cisco RPS \(model PWR675-AC-RPS-N1\), page C-9](#)
- [Statement 265—Redundant Power Supply Connection Warning, page C-10](#)
- [Statement 1001—Work During Lightning Activity, page C-12](#)
- [Statement 1004—Installation Instructions, page C-13](#)
- [Statement 1006—Chassis Warning for Rack-Mounting and Servicing, page C-15](#)
- [Statement 1017—Restricted Area, page C-25](#)
- [Statement 1019—Main Disconnecting Device, page C-28](#)
- [Statement 1024—Ground Conductor, page C-30](#)
- [Statement 1030—Equipment Installation, page C-34](#)
- [Statement 1040—Product Disposal, page C-36](#)
- [Statement 1073—No User-Serviceable Parts, page C-38](#)
- [Statement 1074—Comply with Local and National Electrical Codes, page C-41](#)

Statement 17B—Overtemperature Warning



Warning

To prevent the switch from overheating, do not operate it in an area that exceeds the maximum recommended ambient temperature of 113°F (45°C). To prevent airflow restriction, allow at least 3 inches (7.6 cm) of clearance around the ventilation openings. Statement 17B

Waarschuwing

Om oververhitting van de schakelaar te voorkomen, mag u die niet bedienen in een ruimte die de maximale aanbevolen omgevingstemperatuur van 113°F (45°C) overschrijdt. Om beperking van de luchtstroom te voorkomen, dient u ten minste 3 inch (7,6 cm) speling te laten rondom de ventilatie-openingen.

Varoitus

Estääksesi kytkimen ylikuumentumisen älä käytä sitä sellaisissa paikoissa, joiden lämpötila ylittää ympäristön enimmäislämpötilaksi suositellun 45°C. Jätä vähintään 7,6 cm:n vapaa tila tuuletusaukkojen ympärille, jotta ilma pääsee vapaasti virtaamaan.

Attention

Pour éviter une surchauffe du commutateur, ne pas le faire fonctionner dans un local dont la température ambiante dépasse le maximum recommandé de 45°C (113°F). Pour faciliter la circulation d'air, aménager un dégagement d'au moins 7,6 cm (3 pouces) autour des bouches d'aération.

Warnung

Um eine Überhitzung des Schalters zu vermeiden, ist das System nicht in einem Bereich zu betreiben, in dem die empfohlene Höchsttemperatur von 45°C überschritten wird. Damit der Luftfluß nicht behindert wird, ist ein Freiraum von mindestens 7,6 cm um die Belüftungsöffnungen herum einzuhalten.

Avvertenza

Per evitare il surriscaldamento dell'interruttore, non usare l'apparecchiatura in un'area che supera la temperatura ambientale minima consigliata di 45°C. Per evitare una limitazione del flusso dell'aria, lasciare come minimo uno spazio libero di 7,6 cm intorno alle aperture di ventilazione.

Advarsel	For å unngå at bryteren overopphetes skal utstyret ikke brukes på steder hvor anbefalt maks omgivelsestemperatur overstiger 113 grader Farenheit (45°C). La det være minst 3 tommer (7,6 cm) klaring rundt ventilasjonsåpningene for at luftsirkulasjonen skal være uhindret.
Aviso	Para evitar sobreaquecimento do interruptor, não utilize o equipamento numa área que exceda uma temperatura máxima de 45°C. Para evitar o bloqueamento da circulação de ar, deixe pelo menos um espaço de 7.6 cm em volta das aberturas de ventilação.
¡Advertencia!	Para evitar que el interruptor se recaliente, no se debe usar en áreas cuya temperatura ambiente exceda la máxima recomendada, esto es, 45°C (113°F). Para no entorpecer la corriente de aire, dejar por lo menos 7,6 cm (3 pulgadas) de espacio muerto alrededor de la rejilla de ventilación.
Varning!	I syfte att undvika överhettning av switchen skall den inte användas i utrymmen vars temperatur överskrider den maximalt rekommenderade omgivningstemperaturen som är 45°C. Kontrollera att det finns minst 7,6 cm fritt utrymme runt ventilationsöppningarna så att luffflödet inte begränsas.
Figyelem	A túlmelegedés megelőzése végett ne üzemeltesse a kapcsolót olyan területen, ahol a hőmérséklet meghaladja a 45°C maximális ajánlott környezeti hőmérsékletet. A megfelelő légáramlás biztosítása érdekében a szellőzőnyílások körül hagyjon szabadon legalább 7,6 cm helyet.
Предупреждение	Во избежание перегрева переключателя его не следует использовать в помещениях, в которых температура воздуха выше максимальной рекомендованной: 113°F (45°C). Во избежание ограничения воздушного потока около вентиляционных отверстий должно быть не менее 3 дюймов (7,6 см) свободного пространства.
警告	为了防止交换机过热，不要在超过所建议的最大环境温度华氏 113 度（摄氏 45 度）下运行该交换机。为了防止空气流量受限，要在通风口周围至少留出 3 英寸（7.6 厘米）的空间。

Statement 17B—Overtemperature Warning

- 警告** スイッチの加熱を防ぐため、推奨されている最高周囲温度、摂氏 45 度（華氏 113 度）を超える場所で作業をしないでください。気流の停滞を防ぐため、換気孔から 7.6cm（3 インチ）以上の間隔をとってください。
- 주의** 스위치가 과열되는 것을 방지하기 위해 최대 권장 주위 온도인 113°F (45°C)가 넘는 장소에서 기기를 작동하지 마십시오. 원활한 공기 순환을 위해 통풍구 주변에 적어도 3인치(7.6 cm) 정도의 여유 공간을 두십시오.
- Aviso** Para impedir o superaquecimento do switch, não o opere em uma área com temperatura ambiente superior ao máximo recomendado: 113°F (45°C). Para impedir a restrição do fluxo de ar, mantenha um espaço livre de pelo menos 3 polegadas (7,6 cm) ao redor das aberturas de ventilação.
- Upozornění** Z důvodu zamezení přehřátí nesmí být přepínač provozován v prostředí, jehož teplota překračuje nejvyšší doporučenou hodnotu 45°C. Kolem větracích otvorů přepínače ponechte alespoň 7-8 cm volného místa, aby bylo zajištěno jeho dostatečné větrání.
- אזהרה** למניעת חימום יתר של המתג, אין להפעיל בסביבה שבה הטמפרטורה עולה על טמפרטורת הסביבה המירבית המומלצת של 45°C (113°F). למניעת חסימה של זרימת האוויר, יש להשאיר לפחות 7.6 ס"מ (3 אינץ') סביב פתחי האיוורור.
- Ostrzeżenie** W celu zabezpieczenia przełącznika przed przegrzaniem nie należy używać go w pomieszczeniu o temperaturze przekraczającej maksymalną zalecaną temperaturę otoczenia 45°C. Aby zapobiec ograniczeniu przepływu powietrza należy zachować co najmniej 7,6 cm wolnej przestrzeni wokół otworów wentylacyjnych.

- Upozornenie** Aby sa zabránilo prehrievaniu prepínača, nepoužívajte ho v priestoroch s teplotou vyššou ako 45 °C (maximálna odporúčaná teplota okolia). Aby sa zabránilo obmedzeniu prúdenia vzduchu, okolo vetracích otvorov nechajte aspoň 7,6 cm voľného miesta.
- Opozorilo** Da se stikalo ne bi pregrelo, naprave ne uporabljajte v prostorih, kjer je temperatura višja od največje priporočene temperature 45 °C. Za nemoteno kroženje zraka naj bodo kakršni koli predmeti vsaj 7,6 cm oddaljeni od odprtih ventilatorjev.
-

Statement 43—Jewelry Removal Warning



Warning

Before working on equipment that is connected to power lines, remove jewelry (including rings, necklaces, and watches). Metal objects will heat up when connected to power and ground and can cause serious burns or weld the metal object to the terminals. Statement 43

Waarschuwing

Alvorens aan apparatuur te werken die met elektrische leidingen is verbonden, sieraden (inclusief ringen, kettingen en horloges) verwijderen. Metalen voorwerpen worden warm wanneer ze met stroom en aarde zijn verbonden, en kunnen ernstige brandwonden veroorzaken of het metalen voorwerp aan de aansluitklemmen lassen.

Varoitus

Ennen kuin työskentelet voimavirtajohtoihin kytkettyjen laitteiden parissa, ota pois kaikki korut (sormukset, kaulakorut ja kellot mukaan lukien). Metalliesineet kuumenevat, kun ne ovat yhteydessä sähkövirran ja maan kanssa, ja ne voivat aiheuttaa vakavia palovammoja tai hitsata metalliesineet kiinni liitäntänapoihin.

- Attention** Avant d'accéder à cet équipement connecté aux lignes électriques, ôter tout bijou (anneaux, colliers et montres compris). Lorsqu'ils sont branchés à l'alimentation et reliés à la terre, les objets métalliques chauffent, ce qui peut provoquer des blessures graves ou souder l'objet métallique aux bornes.
- Warnung** Vor der Arbeit an Geräten, die an das Netz angeschlossen sind, jeglichen Schmuck (einschließlich Ringe, Ketten und Uhren) abnehmen. Metallgegenstände erhitzen sich, wenn sie an das Netz und die Erde angeschlossen werden, und können schwere Verbrennungen verursachen oder an die Anschlußklemmen angeschweißt werden.
- Avvertenza** Prima di intervenire su apparecchiature collegate alle linee di alimentazione, togliersi qualsiasi monile (inclusi anelli, collane, braccialetti ed orologi). Gli oggetti metallici si riscaldano quando sono collegati tra punti di alimentazione e massa: possono causare ustioni gravi oppure il metallo può saldarsi ai terminali.
- Advarsel** Fjern alle smykker (inkludert ringer, halskjeder og klokker) før du skal arbeide på utstyr som er koblet til kraftledninger. Metallgjenstander som er koblet til kraftledninger og jord blir svært varme og kan forårsake alvorlige brannskader eller smelte fast til polene.
- Aviso** Antes de trabalhar em equipamento que esteja ligado a linhas de corrente, retire todas as jóias que estiver a usar (incluindo anéis, fios e relógios). Os objectos metálicos aquecerão em contacto com a corrente e em contacto com a ligação à terra, podendo causar queimaduras graves ou ficarem soldados aos terminais.
- ¡Advertencia!** Antes de operar sobre equipos conectados a líneas de alimentación, quitarse las joyas (incluidos anillos, collares y relojes). Los objetos de metal se calientan cuando se conectan a la alimentación y a tierra, lo que puede ocasionar quemaduras graves o que los objetos metálicos queden soldados a los bornes.
- Varning!** Tag av alla smycken (inklusive ringar, halsband och armbandsur) innan du arbetar på utrustning som är kopplad till kraftledningar. Metallobjekt hettas upp när de kopplas ihop med ström och jord och kan förorsaka allvarliga brännskador; metallobjekt kan också sammansvetsas med kontakterna.

Figyelem	Mielőtt hálózati feszültséghez csatlakozó készülékkel kezd el dolgozni, vegye le magáról az ékszereket (például gyűrűt, nyakláncot, órát). A fém tárgyak felmelegszenek, ha hálózati feszültséghez és földhöz érnek, és súlyos égési sérülést okozhatnak, illetve a fém tárgyak hozzáforrhatnak a csatlakozókhoz.
Предупреждение	Прежде чем использовать оборудование, подключенное к электросети, снимите все украшения (включая кольца, ожерелья и часы). Металлические части нагреваются при соединении с источником питания и землей, что может привести к серьезным ожогам или привариванию металлических объектов к клеммам.
警告	在操作与电源线连接的设备以前，请取下首饰（包括戒指、项链和手表）。连接电源和接地后，金属物品会升温，可能导致严重灼伤，也可能使金属物品熔接在线端。
警告	電源に接続されている装置を取り扱う際は、事前に、指輪、ネックレス、腕時計などの装身具をはずしてください。金属のオブジェクトが電源とアースと接触すると、金属が過熱して大やけどをしたり、また金属類が端子に焼き付くことがあります。

Statement 48—Stacking the Chassis Warning



Warning

Do not stack the chassis on any other equipment. If the chassis falls, it can cause severe bodily injury and equipment damage. Statement 48

Waarschuwing

Het chassis mag niet op andere apparatuur gestapeld te worden. Als het chassis mocht vallen, kan dit ernstig lichamelijk letsel en beschadiging van de apparatuur veroorzaken.

Varoitus

Älä aseta asennuspohjaa minkään muun laitteen päälle. Asennuspohja voi pudotessaan aiheuttaa vaikean ruumiinvamman tai laitevaurion.

Statement 48—Stacking the Chassis Warning

Avertissement	Ne placez pas ce châssis sur un autre appareil. En cas de chute, il pourrait provoquer de graves blessures corporelles et d'importants dommages.
Achtung	Das Gehäuse nicht auf andere Geräte stellen. Wenn das Gehäuse herunterfällt, besteht Gefahr schwerer Personenverletzungen und Geräteschäden.
Avvertenza	Non collocare lo chassis su nessun altro apparecchio. Se lo chassis cade, può causare lesioni gravi e danni alle apparecchiature.
Advarsel	Stable ikke kabinettet oppå annet utstyr. Hvis kabinettet faller, kan det forårsake alvorlig skade på mennesker og utstyr.
Aviso	Não coloque o chassis em cima de qualquer outro equipamento. Se o chassis cair, poderá causar ferimentos graves e danos no equipamento.
¡Atención!	No apilar los chasis sobre ningún otro equipo. Si el chasis se cae al suelo puede causar graves lesiones físicas y daños al equipo.
Varning	Placera inte chassit ovanpå annan utrustning. Om chassit faller kan allvarlig kroppsskada såväl som skada på utrustningen uppstå.
Figyelem	A készüléket ne tegye rá másik készülékre. Ha a készülék leesik, súlyos testi sérülést okozhat, és maga a készülék is megkárosodhat.
Предупреждение	Не устанавливайте данное устройство на любое другое оборудование. Если устройство упадет, то это может привести к тяжелым травмам и повреждению оборудования.
警告	不要将底盘堆放在其它任何设备上。如果底盘倒下，可能使身体受伤并损坏设备。
警告	別のいかなる装置の上にもシャーシを載せないでください。シャーシを落とすと、大けがをしたり装置を損傷させたりする場合があります。

Statement 100C—Attaching the Cisco RPS (model PWR675-AC-RPS-N1)



Warning

Attach only the Cisco RPS (model PWR675-AC-RPS-N1) to the RPS receptacle.
Statement 100C

Waarschuwing

Slechts de Cisco RPS (model PWR675-AC-RPS-N1) aan de RPS contactdoos verbinden.

Varoitus

Kiinnitä RPS-vastakappaleeseen vain Cisco RPS (malli PWR675-AC-RPS-N1).

Avertissement

Raccordez le bloc d'alimentation Cisco RPS (modèle PWR675-AC-RPS-N1) uniquement au connecteur RPS.

Warnung

An die RPS-Steckhülse darf nur das Cisco RPS (Modell PWR675-AC-RPS-N1) angeschlossen werden.

Avvertenza

Collegare soltanto il Cisco RPS (modello PWR675-AC-RPS-N1) alla presa RPS.

Advarsel!

Koble bare Cisco RPS (modell PWR675-AC-RPS-N1) til RPS-stikkontaktene.

Aviso

Anexe o RPS Cisco (modelo PWR675-AC-RPS-N1) apenas ao receptáculo RPS.

¡Advertencia!

Sólo conecte el Cisco RPS (modelo PWR675-AC-RPS-N1) al receptáculo RPS.

Varning!

Koppla endast Ciscos RPS (modell PWR675-AC-RPS-N1) till RPS-uttaget.

Figyelem

Az RPS csatlakozóhoz csak Cisco RPS (PWR675-AC-RPS-N1 modell) aljzatot csatlakoztasson.

Предупреждение

К гнезду RPS можно подключать только системы питания Cisco RPS (модель PWR675-AC-RPS-N1=).

Statement 265—Redundant Power Supply Connection Warning

警告 只能将 Cisco RPS (型号 PWR675-AC-RPS-N1=) 连接到 RPS 插座。

警告 RPS レセプタクルには、Cisco RPS (モデル番号 PWR675-AC-RPS-N1=) だけを接続してください。

Statement 265—Redundant Power Supply Connection Warning



Warning

If a redundant power system (RPS) is not connected to the switch, install an RPS connector cover on the back of the switch. Statement 265

Waarschuwing

Als er geen redundant voedingssysteem (RPS) aan de schakelaar is gekoppeld, dient u een RPS-connectorkapje op de achterkant van de schakelaar te installeren.

Varoitus

Jos korvautuvaa tehojärjestelmää (redundant power system, RPS) ei ole liitetty kytkimeen, kiinnitä RPS-liittimen suojus kytkimen takapuolelle.

Attention

Si un système d'alimentation électrique redondant (RPS) n'est pas connecté au commutateur, installez un cache de connecteur RPS à l'arrière du commutateur.

Warnung

Wenn keine redundante Stromversorgung (RSV) an den Schalter angeschlossen ist, eine RSV-Steckerabdeckung an der Rückseite des Schalters anbringen.

Avvertenza

Se un sistema RPS (Redundant Power System) di alimentazione ridondante non è collegato al dispositivo switch, installare un copri-connettore RPS sul retro del switch.

Advarsel	Dersom et redundant strømsystem (Redundant Power System -RPS) ikke er koblet til bryteren, skal det installeres et RPS-koblingsdeksel på baksiden av bryteren.
Aviso	Se um sistema de alimentação redundante (RPS) não estiver conectado a um switch, instale uma capa de conector RPS na parte de trás do switch.
¡Advertencia!	Si no se conecta un sistema de potencia redundante (RPS) al interruptor, instale una cubierta de conector RPS en la parte posterior del interruptor.
Varning!	Om ett redundant strömförsörjningssystem (redundant power system, RPS) inte finns anslutet till switchen skall ett RPS-kontaktskydd installeras på switchens baksida.
Figyelem	Ha a kapcsolóhoz nem csatlakozik redundáns tápegység (RPS), az RPS csatlakozófedelét a kapcsoló hátuljára szerelje fel.
Предупреждение	Если система питания с избыточными источниками и распределением нагрузки (RPS) не подсоединена к переключателю, установите крышку соединителя RPS на задней стенке переключателя.
警告	如果冗余电源系统 (RPS) 未连接切换开关，请在开关后面安装 RPS 接头盖。
警告	Redundant Power System (RPS) がスイッチに接続されていない場合、スイッチの後ろの部分に RPS コネクタ カバーを設置してください。

Statement 1001—Work During Lightning Activity


Warning

Do not work on the system or connect or disconnect cables during periods of lightning activity.

Waarschuwing

Tijdens onweer dat gepaard gaat met bliksem, dient u niet aan het systeem te werken of kabels aan te sluiten of te ontkoppelen.

Varoitus

Älä työskentele järjestelmän parissa äläkä yhdistä tai irrota kaapeleita ukkosilmalla.

Attention

Ne pas travailler sur le système ni brancher ou débrancher les câbles pendant un orage.

Warnung

Arbeiten Sie nicht am System und schließen Sie keine Kabel an bzw. trennen Sie keine ab, wenn es gewittert.

Avvertenza

Non lavorare sul sistema o collegare oppure scollegare i cavi durante un temporale con fulmini.

Advarsel

Utfør aldri arbeid på systemet, eller koble kabler til eller fra systemet når det tordner eller lyner.

Aviso

Não trabalhe no sistema ou ligue e desligue cabos durante períodos de mau tempo (trovoada).

¡Advertencia!

No operar el sistema ni conectar o desconectar cables durante el transcurso de descargas eléctricas en la atmósfera.

Varning!

Vid åska skall du aldrig utföra arbete på systemet eller ansluta eller koppla loss kablar.

Figyelem

Villámlás közben ne dolgozzon a rendszeren, valamint ne csatlakoztasson és ne húzzon ki kábeleket!

Предупреждение	Не следует работать с устройством, а также подключать или отключать кабели во время грозы.
警告	请勿在发生雷电时操作系统，也不要在此期间连接或断开电缆。
警告	雷が発生しているときは、システムに手を加えたり、ケーブルの接続や取り外しを行わないでください。

Statement 1004—Installation Instructions



Warning

Read the installation instructions before connecting the system to the power source. Statement 1004

Waarschuwing

Raadpleeg de installatie-instructies voordat u het systeem op de voedingsbron aansluit.

Varoitus

Lue asennusohjeet ennen järjestelmän yhdistämistä virtalähteeseen.

Attention

Avant de brancher le système sur la source d'alimentation, consulter les directives d'installation.

Warnung

Vor dem Anschließen des Systems an die Stromquelle die Installationsanweisungen lesen.

Avvertenza

Consultare le istruzioni di installazione prima di collegare il sistema all'alimentatore.

Advarsel

Les installasjonsinstruksjonene før systemet kobles til strømkilden.

Aviso

Leia as instruções de instalação antes de ligar o sistema à fonte de energia.

¡Advertencia!	Lea las instrucciones de instalación antes de conectar el sistema a la red de alimentación.
Varning!	Läs installationsanvisningarna innan du kopplar systemet till strömförsörjningsenheten.
Figyelem	Mielőtt áramforráshoz csatlakoztatná a rendszert, olvassa el az üzembe helyezési útmutatót!
Предупреждение	Перед подключением устройства к источнику электропитания ознакомьтесь с данной инструкцией по установке.
警告	在将系统与电源连接之前，请仔细阅读安装说明。
警告	必ず設置手順を読んでから、システムを電源に接続してください。
주의	시스템을 전원에 연결하기 전에 설치 지침을 읽으십시오.
Aviso	Leia as instruções de instalação antes de conectar o sistema à fonte de energia.
Upozornění	Před připojením systému k elektrické síti si prostudujte pokyny k instalaci.
אזהרה	יש לקרוא את הוראות ההתקנה לפני חיבור המערכת למקור המתח.
Ostrzeżenie	Przed podłączeniem systemu do źródła zasilania należy przeczytać instrukcje dotyczące instalacji.

Upozornenie	Pred pripojením systému k napájaciemu zdroju si prečítajte inštalčné pokyny.
Opozorilo	Preden sistem priključite, preberite navodila za priključitev.

Statement 1006—Chassis Warning for Rack-Mounting and Servicing



To prevent bodily injury when mounting or servicing this unit in a rack, you must take special precautions to ensure that the system remains stable. The following guidelines are provided to ensure your safety:

- This unit should be mounted at the bottom of the rack if it is the only unit in the rack.
- When mounting this unit in a partially filled rack, load the rack from the bottom to the top with the heaviest component at the bottom of the rack.
- If the rack is provided with stabilizing devices, install the stabilizers before mounting or servicing the unit in the rack. Statement 1006

Waarschuwing

Om lichamelijk letsel te voorkomen wanneer u dit toestel in een rek monteert of het daar een servicebeurt geeft, moet u speciale voorzorgsmaatregelen nemen om ervoor te zorgen dat het toestel stabiel blijft. De onderstaande richtlijnen worden verstrekt om uw veiligheid te verzekeren:

- Dit toestel dient onderaan in het rek gemonteerd te worden als het toestel het enige in het rek is.
- Wanneer u dit toestel in een gedeeltelijk gevuld rek monteert, dient u het rek van onderen naar boven te laden met het zwaarste onderdeel onderaan in het rek.
- Als het rek voorzien is van stabiliseringshulpmiddelen, dient u de stabilisatoren te monteren voordat u het toestel in het rek monteert of het daar een servicebeurt geeft.

- Varoitus** **Kun laite asetetaan telineeseen tai huolletaan sen ollessa telineessä, on noudatettava erityisiä varotoimia järjestelmän vakavuuden säilyttämiseksi, jotta vältetään loukkaantumiset. Noudata seuraavia turvallisuusohjeita:**
- Jos telineessä ei ole muita laitteita, aseta laite telineen alaosaan.
 - Jos laite asetetaan osaksi täytettyyn telineeseen, aloita kuormittaminen sen alaosaan kaikkein raskaimmalla esineellä ja siirry sitten sen yläosaan.
 - Jos telinettä varten on vakaimet, asenna ne ennen laitteen asettamista telineeseen tai sen huoltamista siinä.
- Attention** **Pour éviter toute blessure corporelle pendant les opérations de montage ou de réparation de cette unité en casier, il convient de prendre des précautions spéciales afin de maintenir la stabilité du système. Les directives ci-dessous sont destinées à assurer la protection du personnel:**
- Si cette unité constitue la seule unité montée en casier, elle doit être placée dans le bas.
 - Si cette unité est montée dans un casier partiellement rempli, charger le casier de bas en haut en plaçant l'élément le plus lourd dans le bas.
 - Si le casier est équipé de dispositifs stabilisateurs, installer les stabilisateurs avant de monter ou de réparer l'unité en casier.
- Warnung** **Zur Vermeidung von Körperverletzung beim Anbringen oder Warten dieser Einheit in einem Gestell müssen Sie besondere Vorkehrungen treffen, um sicherzustellen, daß das System stabil bleibt. Die folgenden Richtlinien sollen zur Gewährleistung Ihrer Sicherheit dienen:**
- Wenn diese Einheit die einzige im Gestell ist, sollte sie unten im Gestell angebracht werden.
 - Bei Anbringung dieser Einheit in einem zum Teil gefüllten Gestell ist das Gestell von unten nach oben zu laden, wobei das schwerste Bauteil unten im Gestell anzubringen ist.
 - Wird das Gestell mit Stabilisierungszubehör geliefert, sind zuerst die Stabilisatoren zu installieren, bevor Sie die Einheit im Gestell anbringen oder sie warten.

- Avvertenza** Per evitare infortuni fisici durante il montaggio o la manutenzione di questa unità in un supporto, occorre osservare speciali precauzioni per garantire che il sistema rimanga stabile. Le seguenti direttive vengono fornite per garantire la sicurezza personale:
- Questa unità deve venire montata sul fondo del supporto, se si tratta dell'unica unità da montare nel supporto.
 - Quando questa unità viene montata in un supporto parzialmente pieno, caricare il supporto dal basso all'alto, con il componente più pesante sistemato sul fondo del supporto.
 - Se il supporto è dotato di dispositivi stabilizzanti, installare tali dispositivi prima di montare o di procedere alla manutenzione dell'unità nel supporto.
- Advarsel** Unngå fysiske skader under montering eller reparasjonsarbeid på denne enheten når den befinner seg i et kabinett. Vær nøye med at systemet er stabilt. Følgende retningslinjer er gitt for å verne om sikkerheten:
- Denne enheten bør monteres nederst i kabinettet hvis dette er den eneste enheten i kabinettet.
 - Ved montering av denne enheten i et kabinett som er delvis fylt, skal kabinettet lastes fra bunnen og opp med den tyngste komponenten nederst i kabinettet.
 - Hvis kabinettet er utstyrt med stabiliseringsutstyr, skal stabilisatorene installeres før montering eller utføring av reparasjonsarbeid på enheten i kabinettet.
- Aviso** Para se prevenir contra danos corporais ao montar ou reparar esta unidade numa estante, deverá tomar precauções especiais para se certificar de que o sistema possui um suporte estável. As seguintes directrizes ajudá-lo-ão a efectuar o seu trabalho com segurança:
- Esta unidade deverá ser montada na parte inferior da estante, caso seja esta a única unidade a ser montada.
 - Ao montar esta unidade numa estante parcialmente ocupada, coloque os itens mais pesados na parte inferior da estante, arrumando-os de baixo para cima.
 - Se a estante possuir um dispositivo de estabilização, instale-o antes de montar ou reparar a unidade.

- ¡Advertencia!** Para evitar lesiones durante el montaje de este equipo sobre un bastidor, o posteriormente durante su mantenimiento, se debe poner mucho cuidado en que el sistema quede bien estable. Para garantizar su seguridad, proceda según las siguientes instrucciones:
- Colocar el equipo en la parte inferior del bastidor, cuando sea la única unidad en el mismo.
 - Cuando este equipo se vaya a instalar en un bastidor parcialmente ocupado, comenzar la instalación desde la parte inferior hacia la superior colocando el equipo más pesado en la parte inferior.
 - Si el bastidor dispone de dispositivos estabilizadores, instalar éstos antes de montar o proceder al mantenimiento del equipo instalado en el bastidor.
- Varning!** För att undvika kroppsskada när du installerar eller utför underhållsarbete på denna enhet på en ställning måste du vidta särskilda försiktighetsåtgärder för att försäkra dig om att systemet står stadigt. Följande riktlinjer ges för att trygga din säkerhet:
- Om denna enhet är den enda enheten på ställningen skall den installeras längst ned på ställningen.
 - Om denna enhet installeras på en delvis fylld ställning skall ställningen fyllas nedifrån och upp, med de tyngsta enheterna längst ned på ställningen.
 - Om ställningen är försedd med stabiliseringsdon skall dessa monteras fast innan enheten installeras eller underhålls på ställningen.
- Figyelem** A készülék rackbe történő beszerelése és karbantartása során bekövetkező sérülések elkerülése végett speciális óvintézkedésekkel meg kell őrizni a rendszer stabilitását. A személyes biztonsága érdekében tartsa be a következő szabályokat:
- Ha a rackben csak ez az egy készülék található, a rack aljába kell beszerelni.
 - Ha nincs teljesen tele az a rack, amelybe beszerelik a készüléket, alulról fölfelé haladva töltsse fel a racket úgy, hogy a legnehezebb készülék kerüljön a rack aljába.
 - Ha stabilizáló eszközök is tartoznak a rackhez, szerelje fel a stabilizátorokat, mielőtt beszerelné az egységet a rackbe, vagy karbantartást végezne rajta.

Предупреждение

Во избежание травм при монтаже и обслуживании устройства в стойке следует принять особые меры предосторожности, чтобы убедиться в устойчивости оборудования. Для обеспечения безопасности работ необходимо соблюдать следующие правила.

- Если в стойке находится одно устройство, оно должно быть установлено в нижней части.
- При монтаже устройств в частично заполненную стойку устанавливайте оборудование снизу вверх, размещая наиболее тяжелые устройства в нижней части.
- Если стойка снабжена приспособлениями для стабилизации, их необходимо установить до начала монтажа или обслуживания оборудования.

警告

为避免在机架中安装或维修该部件时使身体受伤，您必须采取特殊的预防措施确保系统固定。以下是确保安全的原则：

- 如果此部件是机架中唯一的部件，应将其安装在机架的底部。
- 如果在部分装满的机架中安装此部件，请按从下往上的顺序安装各个部件，并且最重的组件应安装在机架的底部。
- 如果机架配有固定装置，请先装好固定装置，然后再在机架中安装或维修部件。

警告

この装置をラックに設置したり保守作業を行ったりするときは、人身事故を防ぐため、システムが安定しているかどうかを十分に確認する必要があります。次の注意事項に従ってください。

- ラックにこの装置を単独で設置する場合は、ラックの一番下に設置します。
- ラックに別の装置がすでに設置されている場合は、最も重量のある装置を一番下にして、重い順に下から上へ設置します。
- ラックに安定器具が付属している場合は、その安定器具を取り付けてから、装置をラックに設置するか、またはラック内の装置の保守作業を行ってください。

- 주의** 이 장치를 랙에 장착하거나 서비스할 때 신체 부상을 방지하려면, 시스템이 안정된 상태를 유지하도록 특별히 주의해야 합니다. 사용자의 안전을 위해 다음 지침 사항을 준수하십시오.
- 이 장치가 랙에 장착되는 유일한 것일 경우, 랙의 맨 아래 부분에 장착되어야 합니다.
 - 부분적으로 차 있는 랙에 이 장치를 장착할 경우, 가장 무거운 장치를 랙의 맨 아래 부분부터 차례로 장착하십시오.
 - 안정기가 랙과 함께 제공되는 경우, 이 안정기를 설치한 후 이 장치를 랙에 장착하거나 서비스하십시오.

Aviso **Para evitar lesões corporais ao montar ou dar manutenção a esta unidade em um rack, é necessário tomar todas as precauções para garantir a estabilidade do sistema. As seguintes orientações são fornecidas para garantir a sua segurança:**

- **Se esta for a única unidade, ela deverá ser montada na parte inferior do rack.**
- **Ao montar esta unidade em um rack parcialmente preenchido, carregue-o de baixo para cima com o componente mais pesado em sua parte inferior.**
- **Se o rack contiver dispositivos estabilizadores, instale-os antes de montar ou dar manutenção à unidade existente.**

Advarsel **For at forhindre legemesbeskadigelse ved montering eller service af denne enhed i et rack, skal du sikre at systemet står stabilt. Følgende retningslinjer er også for din sikkerheds skyld:**

- **Enheden skal monteres i bunden af dit rack, hvis det er den eneste enhed i raket.**
- **Ved montering af denne enhed i et delvist fyldt rack, skal enhederne installeres fra bunden og opad med den tungeste enhed nederst.**
- **Hvis raket leveres med stabiliseringsenheder, skal disse installeres for enheden monteres eller serviceres i raket.**

تحذير لتجنب حدوث أي إصابات عند تركيب هذه الوحدة، يجب اتباع بعض الاحتياطات لضمان عمل النظام بشكل سليم. يتم ذكر الإرشادات التالية لضمان الأمان. يجب تركيب هذه الوحدة في الجزء السفلي من الدولاب المتضمن قضبان إذا كانت هذه الوحدة هي الوحدة الوحيدة في الدولاب الذي يحتوي على قضبان. عند تركيب هذه الوحدة في دولاب شبه ممتلئ، قم برفع الدولاب من الجزء السفلي لأعلى بحيث يكون الجزء الأثقل وزناً أسفل الدولاب. إذا كان الدولاب المتضمن قضباناً يحتوي على أجهزة حفظ التوازن، قم بتثبيت هذه الأجهزة قبل تركيب الوحدة في الدولاب.

- Upozorenje** Kako ne bi došlo do tjelesnih ozljeda kod postavljanja ili servisiranja uređaja na polici, potrebno je poduzeti mjere predostrožnosti kako bi sustav uvijek bio stabilan. Sigurnost se može osigurati poštivanjem sljedećih smjernica:
- Ovaj uređaj treba ugraditi na dno police, ukoliko je to jedini uređaj na polici.
 - Kod ugradnje uređaja u policu na kojoj se već nalaze drugi uređaji, policu treba opremiti počevši od dna, te tako da se na dno stave najteži dijelovi.
 - Ukoliko su na polici ugrađeni stabilizatori, njih montirajte prije ugradnje ili servisiranja uređaja na polici.
- Upozornění** Abyste předešli poranění osob při montáži nebo opravě zařízení v montážním rámu, musíte dodržovat zvláštní preventivní opatření pro zajištění udržení stability systému. Pro zajištění bezpečnosti obsluhy jsou určeny následující zásady:
- Pokud je toto zařízení jedinou jednotkou v montážním rámu, musí být namontováno na nejnižší místo rámu.
 - Pokud je toto zařízení montováno do částečně obsazeného montážního rámu, obsazujte montážní rám ve směru zdola nahoru tak, aby byla nejtěžší součást nejnižší.
 - Pokud je montážní rám vybaven stabilizačními zařízeními, nainstalujte stabilizátory ještě před montáží nebo opravou zařízení v montážním rámu.

- Προειδοποίηση Για να αποφύγετε τον τραυματισμό κατά την τοποθέτηση ή τη συντήρηση αυτής της συσκευής σε αρθρωτό σύστημα, πρέπει να λάβετε ειδικές προφυλάξεις για να διασφαλίσετε τη σταθερότητα του συστήματος. Οι παρακάτω οδηγίες παρέχονται για να εξασφαλίσουν την ασφάλειά σας:
- Αυτή η συσκευή πρέπει να τοποθετείται στο κάτω μέρος του αρθρωτού συστήματος αν είναι η μοναδική συσκευή σε αυτό.
 - Όταν τοποθετείτε αυτήν τη συσκευή σε εν μέρει γεμάτο αρθρωτό σύστημα, τοποθετήστε συσκευές στο αρθρωτό σύστημα από κάτω προς τα επάνω, με τη βαρύτερη συσκευή στο κάτω μέρος του συστήματος.
 - Εάν το αρθρωτό σύστημα διαθέτει διατάξεις σταθεροποίησης, τοποθετήστε τους σταθεροποιητές πριν τοποθετήσετε ή συντηρήσετε τη συσκευή στο αρθρωτό σύστημα.

- אזהרה כדי למנוע פציעה בעת הרכבת יחידה זו במעמד או טיפול בה, עליך לנקוט אמצעי זהירות מיוחדים כדי להבטיח את יציבות המערכת. הקווים המנחים הבאים ניתנים על מנת להבטיח את ביטחונך:
- אם יחידה זו היא יחידה בודדת במעמד, יש להרכיב את היחידה בחלקו התחתון של המעמד.
 - בעת הרכבת יחידה זו במעמד המלא בחלקו, טען את המעמד החל בחלק התחתון וכלפי מעלה כאשר הרכיב הכבד ביותר נמצא בחלקו התחתון של המעמד.
 - אם המעמד מסופק עם התקני ייצוב, התקן את המייצבים לפני הרכבה היחידה במעמד או טיפול בה.

- Опомена За да се не повредите кога го монтирате или го сервисирате уредот на полица, мора да бидете особено претпазливи за да ја обезбедите стабилноста на системот. Следите напатствија се дадени за да ја осигураат Вашата безбедност:
- Уредот треба да се монтира најдолу на полицата ако е единствен уред на полицата.
 - Кога го монтирате уредот на делумно пополнета полица, полнете ја полицата од дното кон врвот со најтешката компонента на дното на полицата.
 - Ако полицата има стабилизаторски делови, наместете ги стабилизаторите пред да го монтирате или сервисирате уредот на полицата.

- Ostrzeżenie** Aby zapobiec urazom podczas montażu lub serwisowania tego urządzenia w stojaku, należy zastosować szczególne środki ostrożności w celu zapewnienia stabilności układu. Poniżej przedstawiono wskazówki, których przestrzeganie zapewni bezpieczeństwo:
- Jeśli urządzenie to jest jedynym urządzeniem w stojaku, powinno być zamontowane na dole.
 - W przypadku montażu urządzenia w częściowo zapełnionym stojaku należy instalować kolejne urządzenia od najniższego do najwyższego, przy czym element najcięższy powinien być zamontowany najniżej w stojaku.
 - Jeśli stojak jest wyposażony w elementy stabilizujące, należy zamontować stabilizatory przed przystąpieniem do montażu lub serwisowania urządzeń w stojaku.

- Upozornenie** Aby ste predišli poraneniu osôb pri montáži alebo oprave zariadenia v montážnom ráme, musíte dodržiavať zvláštne preventívne opatrenia na zaistenie udržania stability systému. Na zaistenie bezpečnosti obsluhy sú určené nasledujúce zásady:
- Pokiaľ je toto zariadenie jedinou jednotkou v montážnom ráme, musí byť namontované na najnižšie miesto v ráme.
 - Pokiaľ je toto zariadenie montované do čiastočne obsadeného montážneho rámu, obsadzujte montážny rám v smere zdola nahor tak, aby bola najťažšia súčasť najnižšie.
 - Pokiaľ je montážny rám vybavený stabilizačnými zariadeniami, nainštalujte stabilizátory ešte pred montážou alebo opravou zariadenia v montážnom ráme.
-

Statement 1017—Restricted Area

**Warning**

This unit is intended for installation in restricted access areas. A restricted access area can be accessed only through the use of a special tool, lock and key, or other means of security. Statement 1017

Waarschuwing

Deze eenheid is bestemd voor installatie in plaatsen met beperkte toegang. Toegang tot een dergelijke plaats kan alleen verkregen worden door middel van een speciaal instrument, een slot en sleutel of een ander veiligheidsmiddel.

Varoitus

Tämä laite on tarkoitettu asennettavaksi paikkaan, johon pääsy on rajoitettua. Tällaiseen paikkaan pääsee vain erikoistyökäluä, lukkoon sopivaa avainta tai jotakin muuta turvalaitetta käyttämällä.

Attention

Cet appareil est à installer dans des zones d'accès réservé. L'accès à une zone d'accès réservé n'est possible qu'en utilisant un outil spécial, un mécanisme de verrouillage et une clé, ou tout autre moyen de sécurité.

Warnung

Diese Einheit ist zur Installation in Bereichen mit beschränktem Zutritt vorgesehen. Der Zutritt zu derartigen Bereichen ist nur mit einem Spezialwerkzeug, Schloss und Schlüssel oder einer sonstigen Sicherheitsvorkehrung möglich.

Avvertenza

Questa unità è prevista per essere installata in un'area ad accesso limitato, vale a dire un'area accessibile solo mediante l'uso di un attrezzo speciale, come lucchetto e chiave, o altri dispositivi di sicurezza.

Advarsel

Denne enheten er beregnet på installasjon i områder med begrenset tilgang. Et begrenset tilgangsområde kan bare nås ved hjelp av et spesielt verktøy, lås og nøkkel, eller andre sikkerhetsanordninger.

Aviso

Esta unidade foi concebida para instalação em áreas de acesso restrito. Uma área de acesso restrito é uma área à qual apenas tem acesso o pessoal de serviço autorizado, que possua uma ferramenta, chave e fechadura especial, ou qualquer outra forma de segurança.

- ¡Advertencia!** **Esta unidad ha sido diseñada para instalación en áreas de acceso restringido. Sólo puede obtenerse acceso a una de estas áreas mediante la utilización de una herramienta especial, cerradura con llave u otro medio de seguridad.**
- Varning!** **Denna enhet är avsedd för installation i områden med begränsat tillträde. Ett område med begränsat tillträde kan endast tillträdas med hjälp av specialverktyg, lås och nyckel eller annan säkerhetsanordning.**
- Figyelem** **A készülék korlátozottan hozzáférhető területre történő beszerelésre készült. A korlátozottan hozzáférhető területekhez csak speciális szerszám, zár és kulcs vagy más biztonsági berendezés segítségével lehet hozzáférni.**
- Предупреждение** Данное устройство предназначено для установки в помещениях с ограниченным доступом. В такие помещения можно попасть, только имея специальное устройство доступа, карту или ключ или пройдя проверку другими средствами обеспечения безопасности.
- 警告** 此部件应安装在限制进出的场所。限制进出的场所指只能通过使用特殊工具、锁和钥匙或其它安全手段进出的场所。
- 警告** この装置は立ち入り制限区域内に設置することが前提になっています。立ち入り制限区域とは、鍵、錠、またはその他の保全手段を使用しないと立ち入ることができない区域です。
- 주의** 이 장치는 접근이 제한된 영역에 설치하도록 제작되었습니다. 특수 도구, 잠금 장치 및 키, 또는 기타 보안 수단을 통해서만 이 접근 제한 영역에 액세스할 수 있습니다.
- Aviso** **Esta unidade deve ser instalada em áreas de acesso restrito. Uma área de acesso restrito só pode ser acessada com o uso de uma ferramenta especial, cadeado e chave ou outros meios de segurança.**
- Advarsel** **Denne enhed er beregnet til installation i områder med begrænset adgang. Der kan kun opnås adgang til et begrænset område ved at bruge et særligt stykke værktøj, lås og nøgle, eller en anden form for sikkerhed.**

تحذير	تم تخصيص هذه الوحدة ليتم تشبيتها في مناطق محظور الوصول إليها. يمكن الوصول إلى المنطقة المحظورة فقط من خلال استخدام أداة خاصة أو قفل أو مفتاح أو أي وسيلة أخرى من التأمين.
Upozorenje	Uređaj je namijenjen ugradnji na teško dostupnim mjestima. Teško su dostupna mjesta takva mjesta koja su dostupna samo uz pomoć posebnih alata, lokota i ključa, ili nekog drugog načina osiguravanja sigurnosti.
Upozornění	Toto zařízení je určeno pro instalaci v prostorech s omezeným přístupem. Do prostoru s omezeným přístupem lze získat přístup pouze pomocí zvláštního nástroje, zámku a klíče nebo jiných zabezpečovacích prostředků.
Προειδοποίηση	Αυτή η συσκευή προορίζεται για να τοποθετηθεί σε χώρους στους οποίους η πρόσβαση είναι περιορισμένη. Η πρόσβαση σε ένα χώρο με περιορισμένη πρόσβαση είναι δυνατή μόνο με τη χρήση ενός ειδικού εργαλείου, κλειδαριάς και κλειδιού ή άλλου μέσου ασφαλείας.
אזהרה	יחידה זו מיועד להתקנה באזורים עם גישה מוגבלת. הגישה לאזורים המיועדים לגישה מוגבלת אפשרית רק באמצעות כלי מיוחד, מנעול ומפתח, או אמצעי בטיחות אחרים.
Opomena	Уредот е наменет за местење во области со ограничен пристап. Во областите со ограничен пристап може да се влезе само со употреба на специјална алатка, брава и клуч или со други средства за обезбедување.
Ostrzeżenie	To urządzenie jest przystosowane do instalacji w miejscach o ograniczonym dostępie. Przez miejsce o ograniczonym dostępie rozumie się miejsce, do którego dostęp uzyskać można wyłącznie za pomocą specjalnego narzędzia, zamka z kluczem lub innego zabezpieczenia.

Statement 1019—Main Disconnecting Device

- Upozornenie** Toto zariadenie je určené na inštaláciu v priestoroch s obmedzeným prístupom. Do priestoru s obmedzeným prístupom je možné získať prístup iba pomocou špeciálneho nástroja, zámku a kľúča, alebo iných zabezpečovacích prostriedkov.
- Opozorilo** Ta enota je namenjena priključitvi na območjih z omejenim dostopom. Dostop do območja z omejenim dostopom je mogoč le z uporabo posebnega orodja, ključavnice, ključa ali kakšnega drugega varnostnega pripomočka.

Statement 1019—Main Disconnecting Device



Warning

The plug-socket combination must be accessible at all times, because it serves as the main disconnecting device. Statement 1019

Waarschuwing

De combinatie van de stekker en het elektrisch contactpunt moet te allen tijde toegankelijk zijn omdat deze het hoofdmecanisme vormt voor verbreking van de aansluiting.

Varoitus

Pistoke/liitinkohta toimii pääkatkaisumekanismina. Pääsy siihen on pidettävä aina esteettömänä.

Attention

La combinaison de prise de courant doit être accessible à tout moment parce qu'elle fait office de système principal de déconnexion.

Warnung

Der Netzkabelanschluß am Gerät muß jederzeit zugänglich sein, weil er als primäre Ausschaltvorrichtung dient.

Avvertenza

Il gruppo spina-presa deve essere sempre accessibile, poiché viene utilizzato come dispositivo di scollegamento principale.

Advarsel	Kombinasjonen støpsel/uttak må alltid være tilgjengelig ettersom den fungerer som hovedfrakoplingsenhet.
Aviso	A combinação ficha-tomada deverá ser sempre acessível, porque funciona como interruptor principal.
¡Advertencia!	El conjunto de clavija y toma ha de encontrarse siempre accesible ya que hace las veces de dispositivo de desconexión principal.
Varning!	Man måste alltid kunna komma åt stickproppen i uttaget, eftersom denna koppling utgör den huvudsakliga fråkopplingsanordningen.
Figyelem	A dugaszolóaljzat és a dugasz együttesének mindig hozzáférhetőnek kell lennie, mivel ez szolgál főmegszakítóként.
Предупреждение	Штепсельная розетка всегда должна быть доступна, поскольку она служит основным устройством отключения.
警告	插销和插座必须便于随时插拔，因为它是主要断电设备。
警告	主要な切断装置となるので、プラグとソケットは常に手が届く場所に置く必要があります。
주의	플러그와 소켓은 주 연결 해제 장치의 역할을 하기 때문에 항상 손에 닿는 곳에 있어야 합니다.
Aviso	A combinação de plugue-soquete deverá estar sempre acessível, pois serve como principal dispositivo de desconexão.
Upozornění	Elektrická zásuvka a zástrčka musí být vždy přístupné, protože představují hlavní možnost odpojení od elektrické sítě.
אזהרה	יש לאפשר גישה לתקע ולשקע בכל עת, מכיוון שזהו אמצעי הניתוק העיקרי.

- Ostrzeżenie** Połączenie wtyczki i gniazdka musi być zawsze dostępne, ponieważ służy ono jako główne urządzenie rozłączające.
- Upozornenie** Kombinovaná zásuvka so zástrčkou musí byť vždy dostupná, pretože slúži ako hlavné odpájacie zariadenie.
- Opozorilo** Vtikač in vtičnica morata biti ves čas dostopna, da lahko napravo kadar koli izklopite.

Statement 1024—Ground Conductor



Warning

This equipment must be grounded. Never defeat the ground conductor or operate the equipment in the absence of a suitably installed ground conductor. Contact the appropriate electrical inspection authority or an electrician if you are uncertain that suitable grounding is available. Statement 1024

Waarschuwing

Deze apparatuur dient geaard te zijn. De aardingsleiding mag nooit buiten werking worden gesteld en de apparatuur mag nooit bediend worden zonder dat er een op de juiste wijze geïnstalleerde aardingsleiding aanwezig is. Neem contact op met de bevoegde instantie voor elektrische inspecties of met een elektricien als u er niet zeker van bent dat er voor passende aarding gezorgd is.

Varoitus

Laitteiden on oltava maadoitettuja. Älä koskaan ohita maajohdinta tai käytä laitteita ilman oikein asennettua maajohdinta. Ota yhteys sähkö tarkastusviranomaiseen tai sähköasentajaan, jos olet epävarma maadoituksen sopivuudesta.

Attention	Cet équipement doit être mis à la masse. Ne jamais rendre inopérant le conducteur de masse ni utiliser l'équipement sans un conducteur de masse adéquatement installé. En cas de doute sur la mise à la masse appropriée disponible, s'adresser à l'organisme responsable de la sécurité électrique ou à un électricien.
Warnung	Dieses Gerät muss geerdet sein. Auf keinen Fall den Erdungsleiter unwirksam machen oder das Gerät ohne einen sachgerecht installierten Erdungsleiter verwenden. Wenn Sie sich nicht sicher sind, ob eine sachgerechte Erdung vorhanden ist, wenden Sie sich an die zuständige Inspektionsbehörde oder einen Elektriker.
Avvertenza	Questa apparecchiatura deve essere dotata di messa a terra. Non escludere mai il conduttore di protezione né usare l'apparecchiatura in assenza di un conduttore di protezione installato in modo corretto. Se non si è certi della disponibilità di un adeguato collegamento di messa a terra, richiedere un controllo elettrico presso le autorità competenti o rivolgersi a un elettricista.
Advarsel	Dette utstyret må jordes. Omgå aldri jordingslederen og bruk aldri utstyret uten riktig montert jordingsleder. Ta kontakt med fagfolk innen elektrisk inspeksjon eller med en elektriker hvis du er usikker på om det finnes velegnet jordning.
Aviso	Este equipamento deve ser aterrado. Nunca anule o fio terra nem opere o equipamento sem um aterramento adequadamente instalado. Em caso de dúvida com relação ao sistema de aterramento disponível, entre em contato com os serviços locais de inspeção elétrica ou um eletricista qualificado.
¡Advertencia!	Este equipo debe estar conectado a tierra. No inhabilite el conductor de tierra ni haga funcionar el equipo si no hay un conductor de tierra instalado correctamente. Póngase en contacto con la autoridad correspondiente de inspección eléctrica o con un electricista si no está seguro de que haya una conexión a tierra adecuada.
Varning!	Denna utrustning måste jordas. Koppla aldrig från jordledningen och använd aldrig utrustningen utan en på lämpligt sätt installerad jordledning. Om det föreligger osäkerhet huruvida lämplig jordning finns skall elektrisk besiktningsauktoritet eller elektriker kontaktas.

Figyelem	A berendezés csak megfelelő védőföldeléssel működtethető. Ne iktassa ki a földelés csatlakozóját, és ne üzemeltesse a berendezést szabályosan felszerelt földelő vezeték nélkül! Ha nem biztos benne, hogy megfelelő földelés áll rendelkezésre, forduljon a helyi elektromos hatóságokhoz egy villanyszerelőhöz.
Предупреждение	Данное устройство должно быть заземлено. Никогда не отключайте провод заземления и не пользуйтесь оборудованием при отсутствии правильно подключенного провода заземления. За сведениями об имеющихся возможностях заземления обратитесь к соответствующим контролирующим организациям по энергоснабжению или к инженеру-электрику.
警告	此设备必须接地。切勿使接地导体失效，或者在没有正确安装接地导体的情况下操作该设备。如果您不能肯定接地导体是否正常发挥作用，请咨询有关电路检测方面的权威人士或电工。
警告	この装置はアース接続する必要があります。アース導体を破損しないよう注意し、アース導体を正しく取り付けないまま装置を稼働させないでください。アース接続が適正であるかどうか分からない場合には、電気検査機関または電気技術者に相談してください。
주의	이 장비는 접지되어야 합니다. 접지 도체를 결코 파기하거나 적절히 설치된 접지 도체 없이 장비를 작동하지 마십시오. 사용 가능한 적절한 접지가 확실치 않은 경우 해당 전기 검사 관청 또는 전기 기술자에게 문의하십시오.
Aviso	Este equipamento deve ser aterrado. Nunca anule o fio terra nem opere o equipamento sem um fio terra adequadamente instalado. Fale com uma autoridade de fiscalização de instalações elétricas apropriada ou com um eletricista se você não tiver certeza quanto à eficiência do aterramento.
Upozornění	Toto zařízení musí být uzemněno. Nikdy nepřerušujte zemní vodič ani nepoužívejte zařízení bez odpovídajícího zemního vodiče. Nejste-li si jisti, zda je zařízení vhodně uzemněno, obraťte se na revizního technika či elektrikáře.

Προειδοποίηση	Ο παρών εξοπλισμός πρέπει να είναι γειωμένος. Μην καταστρέψετε ποτέ τον αγωγό γείωσης και μη χρησιμοποιήσετε ποτέ τον εξοπλισμό χωρίς να υπάρχει κατάλληλα εγκατεστημένος αγωγός γείωσης. Εάν δεν είστε βέβαιοι ότι υπάρχει κατάλληλη γείωση, επικοινωνήστε με τις αρμόδιες αρχές ή συμβουλευθείτε έναν ηλεκτρολόγο.
אזהרה	ציוד זה חייב להיות מוארק. לעולם אין לנתק את מוליך ההארקה או להפעיל את הציוד בהעדר מוליך הארקה מותקן כראוי. אם אינך בטוח שקיימת הארקה הולמת, פנה לרשות המפקחת על החשמל או לחשמלאי.
Ostrzeżenie	Sprzęt ten musi być uziemiony. Nigdy nie należy usuwać przewodu uziemiającego lub używać sprzętu bez prawidłowo zainstalowanego przewodu uziemiającego. W przypadku braku pewności czy zapewnione jest prawidłowe uziemienie, należy skontaktować się z odpowiednim urzędem inspekcji elektrycznych lub elektrykiem.
Upozornenie	Toto zariadenie musí byť uzemnené. Uzemňovací vodič nikdy neodpájajte a zariadenie nikdy neprevádzkujte bez správne pripojeného uzemňovacieho vodiča. Ak máte pochybnosti o dostupnosti vhodného uzemnenia, obráťte sa na príslušný úrad na kontrolu elektrických zariadení alebo na elektrikára.
Opozorilo	Ta naprava mora biti ozemljena. Nikoli ne odklapljajte ozemljitve oz. upravljajte naprave, ki ni primerno ozemljena. V primeru, da niste sigurni, ali imate primerno ozemljitev, nemudoma pokličite pooblašteni električni servis ali električarja.

Statement 1030—Equipment Installation


Warning

Only trained and qualified personnel should be allowed to install, replace, or service this equipment. Statement 1030

Waarschuwing

Deze apparatuur mag alleen worden geïnstalleerd, vervangen of hersteld door bevoegd geschoold personeel.

Varoitus

Tämän laitteen saa asentaa, vaihtaa tai huoltaa ainoastaan koulutettu ja laitteen tunteva henkilökunta.

Attention

Il est vivement recommandé de confier l'installation, le remplacement et la maintenance de ces équipements à des personnels qualifiés et expérimentés.

Warnung

Das Installieren, Ersetzen oder Bedienen dieser Ausrüstung sollte nur geschultem, qualifiziertem Personal gestattet werden.

Avvertenza

Questo apparato può essere installato, sostituito o mantenuto unicamente da un personale competente.

Advarsel

Bare opplært og kvalifisert personell skal foreta installasjoner, utskiftninger eller service på dette utstyret.

Aviso

Apenas pessoal treinado e qualificado deve ser autorizado a instalar, substituir ou fazer a revisão deste equipamento.

¡Advertencia!

Solamente el personal calificado debe instalar, reemplazar o utilizar este equipo.

Varning!

Endast utbildad och kvalificerad personal bör få tillåtelse att installera, byta ut eller reparera denna utrustning.

Figyelem

A berendezést csak szakképzett személyek helyezhetik üzembe, cserélhetik és tarthatják karban.

Предупреждение	Установку, замену и обслуживание этого оборудования может осуществлять только специально обученный квалифицированный персонал.
警告	只有经过培训且具有资格的人员才能进行此设备的安装、更换和维修。
警告	この装置の設置、交換、保守は、訓練を受けた相応の資格のある人が行ってください。
주의	교육을 받고 자격을 갖춘 사람만 이 장비를 설치, 교체, 또는 서비스를 수행해야 합니다.
Aviso	Somente uma equipe treinada e qualificada tem permissão para instalar, substituir ou dar manutenção a este equipamento.
Advarsel	Kun uddannede personer må installere, udskifte komponenter i eller servicere dette udstyr.
تحذير	يسمح للمنيين المتخصصين فقط بتركيب المعدة أو استبدالها أو إجراء الصيانة عليها.
Upozorenje	Uređaj smije ugrađivati, mijenjati i servisirati samo za to obučeno i osposobljeno servisno osoblje.
Upozornění	Instalaci, výměnu nebo opravu tohoto zařízení smějí provádět pouze proškolené a kvalifikované osoby.
Προειδοποίηση	Η τοποθέτηση, η αντικατάσταση και η συντήρηση του εξοπλισμού επιτρέπεται να γίνονται μόνο από καταρτισμένο προσωπικό με τα κατάλληλα προσόντα.
אזהרה	רק עובדים מיומנים ומוסמכים רשאים להתקין, להחליף, או לטפל בציד זה.
Оророна	Местењето, заменувањето и сервисирањето на оваа опрема треба да му биде дозволено само на обучен и квалификуван персонал.

- Ostrzeżenie** Do instalacji, wymiany i serwisowania tych urządzeń mogą być dopuszczone wyłącznie osoby wykwalifikowane i przeszkolone.
- Upozornenie** Inštaláciu, výmenu alebo opravu tohto zariadenia smú vykonávať iba vyškolené a kvalifikované osoby.
- Opozorilo** Opremo lahko priključi, zamenja ali popravi le za to usposobljeno osebe.
-

Statement 1040—Product Disposal



Warning

Ultimate disposal of this product should be handled according to all national laws and regulations. Statement 1040

Waarschuwing

Het uiteindelijke wegruimen van dit product dient te geschieden in overeenstemming met alle nationale wetten en reglementen.

Varoitus

Tämä tuote on hävitettävä kansallisten lakien ja määräysten mukaisesti.

Attention

La mise au rebut ou le recyclage de ce produit sont généralement soumis à des lois et/ou directives de respect de l'environnement. Renseignez-vous auprès de l'organisme compétent.

Warnung

Die Entsorgung dieses Produkts sollte gemäß allen Bestimmungen und Gesetzen des Landes erfolgen.

Avvertenza

Lo smaltimento di questo prodotto deve essere eseguito secondo le leggi e regolazioni locali.

Advarsel

Endelig kassering av dette produktet skal være i henhold til alle relevante nasjonale lover og bestemmelser.

Aviso	Deitar fora este produto em conformidade com todas as leis e regulamentos nacionais.
¡Advertencia!	Al deshacerse por completo de este producto debe seguir todas las leyes y reglamentos nacionales.
Varning!	Vid deponering hanteras produkten enligt gällande lagar och bestämmelser.
Figyelem	A készülék végső elhelyezéséről az adott országban érvényes törvények és előírások szerint kell intézkedni.
Предупреждение	Окончательная установка данного изделия должна выполняться в соответствии со всеми региональными и местными правилами и нормами.
警告	本产品的废弃处理应根据所有国家的法律和规章进行。
警告	この製品を廃棄処分する際は、各国の法律および規制に従って取り扱ってください。
주의	해당 국가의 관련 법규 및 규정에 따라 이 장치를 폐기해야 합니다.
Aviso	O descarte definitivo deste produto deve estar de acordo com todas as leis e regulamentações nacionais.
Advarsel	Endelig bortskaffelse af dette produkt skal ske i henhold til gældende love og regler.
تحذير	عند التخلص من المنتج يجب اتباع القوانين والتشريعات المحلية.
Upozorenje	Zbrinjavanje ovoga proizvoda u otpad treba provesti u skladu s važećim zakonima i odredbama.

Statement 1073—No User-Serviceable Parts

Upozornění	Upozornění: Likvidace tohoto výrobku musí být provedena podle platných zákonů a předpisů.
Προειδοποίηση	Η τελική απόρριψη αυτού του προϊόντος πρέπει να γίνεται σύμφωνα με όλους τους εθνικούς νόμους και κανονισμούς.
אזהרה	סילוק סופי של מוצר זה חייב להיות בהתאם להנחיות ולחוקי המדינה.
Opomena	Крайното фрлање на овој производ треба да се изврши во согласност со сите национални закони и прописи.
Ostrzeżenie	Ostateczna likwidacja tego urządzenia po jego wycofaniu z eksploatacji powinna odbywać się zgodnie z przepisami krajowymi.
Upozornenie	Upozornenie Likvidácia tohto výrobku musí byť vykonaná podľa platných zákonov a predpisov.
Opozorilo	Uničenje izdelka, ki ni več uporaben, mora potekati po državnih zakonih in predpisih.

Statement 1073—No User-Serviceable Parts



Warning

No user-serviceable parts inside. Do not open. Statement 1073

Waarschuwing

Er zijn geen door de gebruiker te vervangen onderdelen. Niet openen.

Varoitus	Ei sisällä käyttäjän huollettavissa olevia osia. Älä avaa.
Attention	Aucune pièce se trouvant à l'intérieur ne peut être réparée ou remplacée par l'utilisateur. Ne pas ouvrir.
Warnung	Enthält keine Teile, die vom Benutzer gewartet werden müssen. Bitte nicht öffnen.
Avvertenza	Non contiene parti riparabili dall'utente. Non aprire.
Advarsel	Inneholder ingen deler som kan repareres av brukeren. Må ikke åpnes.
Aviso	Sem peças sujeitas a manutenção pelo utilizador. Não abrir.
¡Advertencia!	No contiene partes que puedan ser arregladas por el usuario. No abrir.
Varning!	Det finns inga delar som användare kan utföra service på. Öppna inte.
Figyelem	A készülék nem tartalmaz a felhasználó által javítható alkatrészeket. Ne nyissa fel.
Предупреждение	Внутри нет деталей, обслуживание которых может выполняться пользователем. Не вскрывайте.
警告	内无用户可用的零件。请勿打开。
警告	ユーザによる交換可能な部品は含まれていません。開けないでください。
주의	교체/수리가 가능한 부품이 들어있지 않음. 열지 마십시오.
Aviso	Manutenção somente por técnico especializado. Não abra.
Advarsel	Ingen dele indeni som brugere kan reparere. Åbn ej.

تحذير لا يوجد بالداخل قطع غيار يمكن للمستخدم استبدالها. الرجاء عدم الفتح.

Upozorenje Unutar uređaja nema dijelova koje korisnici mogu sami popraviti. Nemojte otvarati uređaj.

Upozornění Uvnitř zařízení nejsou žádné díly, které by mohl uživatel sám opravit. Zaříze

Προειδοποίηση Στο εσωτερικό της συσκευής, δεν περιλαμβάνονται εξαρτήματα που μπορούν να συντηρηθούν από το χρήστη. Μην ανοίγετε τη συσκευή.

אזהרה אין בפנים חלקים המיועדים לטיפולו של המשתמש. אל תפתח.

Opomena Внатре нема делови што ги сервисира корисникот. Не отворајте.

Ostrzeżenie Wewnątrz urządzenia nie ma elementów, które użytkownik mógłby naprawiać lub obsługiwać samodzielnie. Nie otwierać.

Upozornenie V zariadení nie sú žiadne súčasti, ktorý by mohol používateľ sám opravovať. Zariadenie neotvárajte.

Statement 1074—Comply with Local and National Electrical Codes



Warning

Installation of the equipment must comply with local and national electrical codes. Statement 1074

Waarschuwing

Bij installatie van de apparatuur moet worden voldaan aan de lokale en nationale elektriciteitsvoorschriften.

Varoitus

Laitteisto tulee asentaa paikallisten ja kansallisten sähkömääräysten mukaisesti.

Attention

L'équipement doit être installé conformément aux normes électriques nationales et locales.

Warnung

Die Installation der Geräte muss den Sicherheitsstandards entsprechen.

Avvertenza

L'installazione dell'impianto deve essere conforme ai codici elettrici locali e nazionali.

Advarsel

Installasjon av utstyret må samsvare med lokale og nasjonale elektrisitetsforskrifter.

Aviso

A instalação do equipamento tem de estar em conformidade com os códigos eléctricos locais e nacionais.

¡Advertencia!

La instalación del equipo debe cumplir con las normativas de electricidad locales y nacionales.

Varning!

Installation av utrustningen måste ske i enlighet med gällande elinstallationsföreskrifter.

Figyelem

A berendezés üzembe helyezését a helyi és a nemzeti elektromossági előírások figyelembevételével kell elvégezni.

Statement 1074—Comply with Local and National Electrical Codes

Предупреждение	Установка оборудования должна соответствовать местным и национальным электротехническим нормам.
警告	设备安装必须符合本地与本国电气法规。
警告	機器の取り付けは地域および国内の電気工事規定に遵守する必要があります。
주의	현지 및 국가 전기 규정에 따라 장비를 설치해야 합니다.
Aviso	A instalação do equipamento deve estar em conformidade com os códigos elétricos nacionais.
Upozornění	Instalace zařízení musí splňovat příslušné místní a státní elektrotechnické normy.
אזהרה	התקנת הציוד חייבת להיות תואמת את חוקי החשמל המקומיים והארציים.
Ostrzeżenie	Instalacja sprzętu musi być zgodna z lokalnymi i krajowymi normami elektrycznymi.
Upozornenie	Inštalácia zariadenia sa musí vykonať v súlade s miestnymi a národnými predpismi pre inštaláciu elektrických zariadení.
Opozorilo	Priključitev opreme mora potekati v skladu z lokalnimi in državnimi predpisi o električni opremi.



INDEX

Numerics

- 19-inch rack [2-10](#)
- 24-inch rack [2-10](#)

A

- AC power
 - connecting [2-16](#)
 - connector [1-8](#)
 - specifications [A-1](#)
- active mode [1-6](#)
- agency approvals [A-2](#)
- altitude [A-1](#)
- applications, for RPS 675 [1-9](#)

B

- brackets, attaching [2-10 to 2-13](#)

C

- cable connector [B-1](#)
- cable guide note [2-11](#)

- cautions [2-xiv](#)
- chassis stacking warning [2-8, C-7](#)
- Cisco 675W redundant power system [2-xiii, 1-2](#)
- connecting the RPS 675 [2-15](#)
- connector
 - cable [1-3](#)
 - pinouts [B-2](#)
 - specifications [B-1](#)
- connectors, rear panel [1-8](#)
- conventions, document [2-xiv](#)

D

- DC
 - output connectors [1-8](#)
 - output LEDs [1-5](#)
 - output levels [1-3](#)
- definition warning [2-xv](#)
- devices, connecting [2-15](#)
- dimensions [A-2](#)
- documentation
 - related [2-xxiii](#)
- document conventions [2-xiv](#)

E

equipment racks [2-9](#)
equipment required for installation [2-10](#)

F

features [1-2](#)

G

ground conductor warning [2-3, C-30](#)

H

humidity [A-1](#)

I

installation
 site requirements [2-7](#)
 See also procedures
installing the RPS [2-8](#)

J

jewelry removal warning [2-2, C-5](#)

L

LEDs
 definitions [1-3](#)
 location [1-3](#)
 Standby/Active button [1-7](#)
lightning activity warning [2-2, C-12](#)
location planning [2-7](#)

M

mounting brackets, rack-mount [2-10 to 2-13](#)

P

packing list [2-7](#)
pinout, connector [B-2](#)
power
 consumption [A-1](#)
 disconnection warning [2-15](#)
 specifications [A-1](#)
 standby [A-1](#)
preparing for installation [2-1](#)
procedures, installation [2-8](#)
product disposal warning [2-3, C-36](#)

Q

qualified personnel warning [2-3, C-34](#)

R

rack-mounting

guidelines [2-9](#)

instructions [2-14](#)

warning [2-3, C-15](#)

regulatory agency approvals [A-2](#)

restricted access warning [2-3, C-25](#)

RPS 675 description [1-1](#)

RPS attachment warning [1-8, 2-16, C-9](#)

S

safety

guidelines [2-4](#)

warnings [2-2, C-1](#)

safety agency approvals [A-2](#)

specifications [A-1](#)

standby

mode [1-7](#)

Standby/Active button LED [1-6, 2-15](#)

status LEDs [1-3](#)

supported products [2-xiii, 1-2](#)

T

temperature [A-1](#)

translated warnings [C-1](#)

V

voltage output levels [1-3](#)

W

warning definition [2-xv](#)

warnings

chassis stacking [2-8, C-7](#)

defined [2-xiv](#)

definition [2-xv](#)

ground conductor [2-3, C-30](#)

jewelry removal [2-2, C-5](#)

lightning activity [2-2, C-12](#)

power disconnection [2-15](#)

product disposal [2-3, C-36](#)

qualified personnel [2-3, C-34](#)

rack-mounting [2-3, C-15](#)

restricted access [2-3, C-25](#)

RPS attachment [1-8, 2-16, C-9](#)

translated [C-1](#)

weight [A-2](#)

Free Manuals Download Website

<http://myh66.com>

<http://usermanuals.us>

<http://www.somanuals.com>

<http://www.4manuals.cc>

<http://www.manual-lib.com>

<http://www.404manual.com>

<http://www.luxmanual.com>

<http://aubethermostatmanual.com>

Golf course search by state

<http://golfingnear.com>

Email search by domain

<http://emailbydomain.com>

Auto manuals search

<http://auto.somanuals.com>

TV manuals search

<http://tv.somanuals.com>