



Catalyst 4500-X AC-Input Power Supply Installation Note

Revised: October 15, 2012

Product Numbers: C4KX-PWR-750AC-F(=) C4KX-PWR-750AC-R(=) C4KX-PWR-BLANK(=)

This document covers installing and removing the AC-input power supply in the Catalyst 4500-X series switch chassis.



Note

AC-input power supplies are not included as part of the basic chassis configuration product numbers. The AC-input power supplies are ordered separately.

Contents

This installation note contains the following sections

- [AC-Input Power Supply Features, page 2](#)
- [Safety, page 3](#)
- [Tools Required, page 9](#)
- [Installing the Power Supply, page 9](#)
- [Removing the Power Supply, page 11](#)
- [Power Supply Specifications, page 13](#)
- [Power Cords, page 14](#)
- [Related Documentation, page 19](#)
- [Obtaining Documentation and Submitting a Service Request, page 20](#)

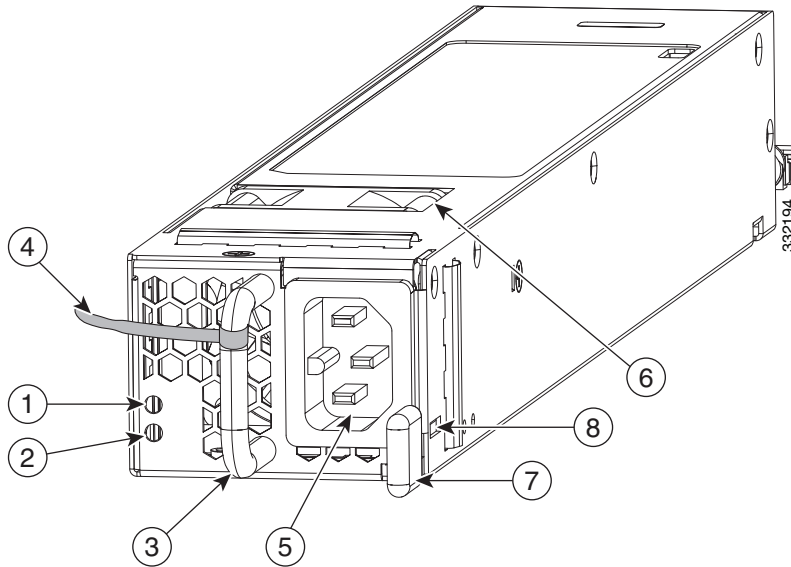


Americas Headquarters:
Cisco Systems, Inc., 170 West Tasman Drive, San Jose, CA 95134-1706 USA

AC-Input Power Supply Features

There are two versions of the 750 W AC-input power supply, the C4KX-PWR-750AC-F power supply which has back-to-front airflow (the release lever is color-coded blue indicating cool side) and the C4KX-PWR-750AC-R power supply which has front-to-back airflow (the release lever is color-coded burgundy indicating warm side). Both power supplies provide 750 W of power. [Figure 1](#) shows the AC-input power supply and identifies the major features.

Figure 1 750 W AC-Input Power Supply Features



1	FAIL LED (amber)	5	AC power cord receptacle (IEC 60320 C15)
2	OK LED (green)	6	Fan (directional arrow on top indicates airflow direction)
3	Power supply handle	7	Release lever (color-coded for airflow direction. Burgundy indicates front-to-back airflow; blue indicates back-to-front airflow)
4	AC power cord retaining strap (velcro)	8	Retention clip

The AC power supply has two LEDs mounted on the lower left corner of the power supply front panel. (See [Figure 1](#).) Together, the two LEDs provide the status of the power supply. [Table 1](#) lists the meanings of the LEDs.

Table 1 AC-Input Power Supply Status LEDs Meanings

OK LED (Green)	FAIL LED (Amber)	Description
Off	Off	No source AC power is detected by the power supply.
Off	On	Power supply failure (can include overvoltage, overcurrent, overtemperature, or fan failure).
Off	Blinking	Power supply warning situation where the power supply continues to operate (possible scenarios include high temperature, overvoltage, or slow fan).
Blinking	Off	Source AC is present. The 3.3 VDCsb (standby) is present. The power supply 12 VDC off.
On	Off	Power supply is ON and is functioning normally.



Note

Two LEDs labeled, PS1 and PS2, are located on the chassis front panel. The LEDs indicate the status of their respective power supplies: Green indicates OK and red indicates a fault (either voltage out of tolerance or fan failure) in the power supply.

Safety

Warning statements in the document use the following conventions:

Statement 1071—Warning Definition



Warning

IMPORTANT SAFETY INSTRUCTIONS

This warning symbol means danger. You are in a situation that could cause bodily injury. Before you work on any equipment, be aware of the hazards involved with electrical circuitry and be familiar with standard practices for preventing accidents. Use the statement number provided at the end of each warning to locate its translation in the translated safety warnings that accompanied this device.

SAVE THESE INSTRUCTIONS

Waarschuwing

BELANGRIJKE VEILIGHEIDSINSTRUCTIES

Dit waarschuwingssymbool betekent gevaar. U verkeert in een situatie die lichamelijk letsel kan veroorzaken. Voordat u aan enige apparatuur gaat werken, dient u zich bewust te zijn van de bij elektrische schakelingen betrokken risico's en dient u op de hoogte te zijn van de standaard praktijken om ongelukken te voorkomen. Gebruik het nummer van de verklaring onderaan de waarschuwing als u een vertaling van de waarschuwing die bij het apparaat wordt geleverd, wilt raadplegen.

BEWAAR DEZE INSTRUCTIES

Varoitus

TÄRKEITÄ TURVALLISUUSOHJEITA

Tämä varoitusmerkki merkitsee vaaraa. Tilanne voi aiheuttaa ruumiillisia vammoja. Ennen kuin käsittelet laitteistoa, huomioi sähköpiirien käsittelyyn liittyvät riskit ja tutustu onnettomuuksien yleisiin ehkäisytapoihin. Turvallisuusvaroitusten käännökset löytyvät laitteen mukana toimitettujen käännettyjen turvallisuusvaroitusten joukosta varoitusten lopussa näkyvien lausuntonumeroiden avulla.

SÄILYTÄ NÄMÄ OHJEET

Attention

IMPORTANTES INFORMATIONS DE SÉCURITÉ

Ce symbole d'avertissement indique un danger. Vous vous trouvez dans une situation pouvant entraîner des blessures ou des dommages corporels. Avant de travailler sur un équipement, soyez conscient des dangers liés aux circuits électriques et familiarisez-vous avec les procédures couramment utilisées pour éviter les accidents. Pour prendre connaissance des traductions des avertissements figurant dans les consignes de sécurité traduites qui accompagnent cet appareil, référez-vous au numéro de l'instruction situé à la fin de chaque avertissement.

CONSERVEZ CES INFORMATIONS

Warnung WICHTIGE SICHERHEITSHINWEISE

Dieses Warnsymbol bedeutet Gefahr. Sie befinden sich in einer Situation, die zu Verletzungen führen kann. Machen Sie sich vor der Arbeit mit Geräten mit den Gefahren elektrischer Schaltungen und den üblichen Verfahren zur Vorbeugung vor Unfällen vertraut. Suchen Sie mit der am Ende jeder Warnung angegebenen Anweisungsnummer nach der jeweiligen Übersetzung in den übersetzten Sicherheitshinweisen, die zusammen mit diesem Gerät ausgeliefert wurden.

BEWAHREN SIE DIESE HINWEISE GUT AUF.

Avvertenza IMPORTANTI ISTRUZIONI SULLA SICUREZZA

Questo simbolo di avvertenza indica un pericolo. La situazione potrebbe causare infortuni alle persone. Prima di intervenire su qualsiasi apparecchiatura, occorre essere al corrente dei pericoli relativi ai circuiti elettrici e conoscere le procedure standard per la prevenzione di incidenti. Utilizzare il numero di istruzione presente alla fine di ciascuna avvertenza per individuare le traduzioni delle avvertenze riportate in questo documento.

CONSERVARE QUESTE ISTRUZIONI

Advarsel VIKTIGE SIKKERHETSINSTRUKSJONER

Dette advarselssymbolet betyr fare. Du er i en situasjon som kan føre til skade på person. Før du begynner å arbeide med noe av utstyret, må du være oppmerksom på farene forbundet med elektriske kretser, og kjenne til standardprosedyrer for å forhindre ulykker. Bruk nummeret i slutten av hver advarsel for å finne oversettelsen i de oversatte sikkerhetsadvarslene som fulgte med denne enheten.

TA VARE PÅ DISSE INSTRUKSJONENE

Aviso INSTRUÇÕES IMPORTANTES DE SEGURANÇA

Este símbolo de aviso significa perigo. Você está em uma situação que poderá ser causadora de lesões corporais. Antes de iniciar a utilização de qualquer equipamento, tenha conhecimento dos perigos envolvidos no manuseio de circuitos elétricos e familiarize-se com as práticas habituais de prevenção de acidentes. Utilize o número da instrução fornecido ao final de cada aviso para localizar sua tradução nos avisos de segurança traduzidos que acompanham este dispositivo.

GUARDE ESTAS INSTRUÇÕES

¡Advertencia! INSTRUCCIONES IMPORTANTES DE SEGURIDAD

Este símbolo de aviso indica peligro. Existe riesgo para su integridad física. Antes de manipular cualquier equipo, considere los riesgos de la corriente eléctrica y familiarícese con los procedimientos estándar de prevención de accidentes. Al final de cada advertencia encontrará el número que le ayudará a encontrar el texto traducido en el apartado de traducciones que acompaña a este dispositivo.

GUARDE ESTAS INSTRUCCIONES

Varning! VIKTIGA SÄKERHETSANVISNINGAR

Denna varningssignal signalerar fara. Du befinner dig i en situation som kan leda till personskada. Innan du utför arbete på någon utrustning måste du vara medveten om farorna med elkretsar och känna till vanliga förfaranden för att förebygga olyckor. Använd det nummer som finns i slutet av varje varning för att hitta dess översättning i de översatta säkerhetsvarningar som medföljer denna anordning.

SPARA DESSA ANVISNINGAR**Figyelem FONTOS BIZTONSÁGI ELOÍRÁSOK**

Ez a figyelmeztető jel veszélyre utal. Sérülésveszélyt rejtő helyzetben van. Mielőtt bármely berendezésen munkát végezte, legyen figyelemmel az elektromos áramkörök okozta kockázatokra, és ismerkedjen meg a szokásos balesetvédelmi eljárásokkal. A kiadványban szereplő figyelmeztetések fordítása a készülékhez mellékelt biztonsági figyelmeztetések között található; a fordítás az egyes figyelmeztetések végén látható szám alapján kereshető meg.

ORIZZE MEG EZEKET AZ UTASÍTÁSOKAT!**Предупреждение ВАЖНЫЕ ИНСТРУКЦИИ ПО СОБЛЮДЕНИЮ ТЕХНИКИ БЕЗОПАСНОСТИ**

Этот символ предупреждения обозначает опасность. То есть имеет место ситуация, в которой следует опасаться телесных повреждений. Перед эксплуатацией оборудования выясните, каким опасностям может подвергаться пользователь при использовании электрических цепей, и ознакомьтесь с правилами техники безопасности для предотвращения возможных несчастных случаев. Воспользуйтесь номером заявления, приведенным в конце каждого предупреждения, чтобы найти его переведенный вариант в переводе предупреждений по безопасности, прилагаемом к данному устройству.

СОХРАНИТЕ ЭТИ ИНСТРУКЦИИ**警告 重要的安全性说明**

此警告符号代表危险。您正处于可能受到严重伤害的工作环境中。在您使用设备开始工作之前，必须充分意识到触电的危险，并熟练掌握防止事故发生的标准工作程序。请根据每项警告结尾提供的声明号码来找到此设备的安全性警告说明的翻译文本。

请保存这些安全性说明

警告 安全上の重要な注意事項

「危険」の意味です。人身事故を予防するための注意事項が記述されています。装置の取り扱い作業を行うときは、電気回路の危険性に注意し、一般的な事故防止策に留意してください。警告の各国語版は、各注意事項の番号を基に、装置に付属の「Translated Safety Warnings」を参照してください。

これらの注意事項を保管しておいてください。

주의 **중요 안전 지침**

이 경고 기호는 위험을 나타냅니다. 작업자가 신체 부상을 일으킬 수 있는 위험한 환경에 있습니다. 장비에 작업을 수행하기 전에 전기 회로와 관련된 위험을 숙지하고 표준 작업 관례를 숙지하여 사고를 방지하십시오. 각 경고의 마지막 부분에 있는 경고문 번호를 참조하여 이 장치와 함께 제공되는 번역된 안전 경고문에서 해당 번역문을 찾으십시오.

이 지시 사항을 보관하십시오.

Aviso **INSTRUÇÕES IMPORTANTES DE SEGURANÇA**

Este símbolo de aviso significa perigo. Você se encontra em uma situação em que há risco de lesões corporais. Antes de trabalhar com qualquer equipamento, esteja ciente dos riscos que envolvem os circuitos elétricos e familiarize-se com as práticas padrão de prevenção de acidentes. Use o número da declaração fornecido ao final de cada aviso para localizar sua tradução nos avisos de segurança traduzidos que acompanham o dispositivo.

GUARDE ESTAS INSTRUÇÕES**Advarsel** **VIGTIGE SIKKERHEDSANVISNINGER**

Dette advarselssymbol betyder fare. Du befinder dig i en situation med risiko for legemeskadedigelse. Før du begynder arbejde på udstyr, skal du være opmærksom på de involverede risici, der er ved elektriske kredsløb, og du skal sætte dig ind i standardprocedurer til undgåelse af ulykker. Brug erklæringsnummeret efter hver advarsel for at finde oversættelsen i de oversatte advarsler, der fulgte med denne enhed.

GEM DISSE ANVISNINGER**تحذير****إرشادات الأمان الهامة**

يوضح رمز التحذير هذا وجود خطر. وهذا يعني أنك متواجد في مكان قد ينتج عنه التعرض للإصابات. قبل بدء العمل، احذر مخاطر التعرض للصدمات الكهربائية وكن على علم بالإجراءات القياسية للحيولة دون وقوع أي حوادث. استخدم رقم البيان الموجود في آخر كل تحذير لتحديد مكان ترجمته داخل تحذيرات الأمان المترجمة التي تأتي مع الجهاز. قم بحفظ هذه الإرشادات

Upozorenje **VAŽNE SIGURNOSNE NAPOMENE**

Ovaj simbol upozorenja predstavlja opasnost. Nalazite se u situaciji koja može prouzročiti tjelesne ozljede. Prije rada s bilo kojim uređajem, morate razumjeti opasnosti vezane uz električne sklopove, te biti upoznati sa standardnim načinima izbjegavanja nesreća. U prevedenim sigurnosnim upozorenjima, priloženima uz uređaj, možete prema broju koji se nalazi uz pojedino upozorenje pronaći i njegov prijevod.

SAČUVAJTE OVE UPUTE

Upozornění DŮLEŽITÉ BEZPEČNOSTNÍ POKYNY

Tento upozorňující symbol označuje nebezpečí. Jste v situaci, která by mohla způsobit nebezpečí úrazu. Před prací na jakémkoliv vybavení si uvědomte nebezpečí související s elektrickými obvody a seznamte se se standardními opatřeními pro předcházení úrazům. Podle čísla na konci každého upozornění vyhledejte jeho překlad v přeložených bezpečnostních upozorněních, která jsou přiložena k zařízení.

USCHOVEJTE TYTO POKYNY**Προειδοποίηση ΣΗΜΑΝΤΙΚΕΣ ΟΔΗΓΙΕΣ ΑΣΦΑΛΕΙΑΣ**

Αυτό το προειδοποιητικό σύμβολο σημαίνει κίνδυνο. Βρίσκεστε σε κατάσταση που μπορεί να προκαλέσει τραυματισμό. Πριν εργαστείτε σε οποιοδήποτε εξοπλισμό, να έχετε υπόψη σας τους κινδύνους που σχετίζονται με τα ηλεκτρικά κυκλώματα και να έχετε εξοικειωθεί με τις συνήθειες πρακτικές για την αποφυγή ατυχημάτων. Χρησιμοποιήστε τον αριθμό δήλωσης που παρέχεται στο τέλος κάθε προειδοποίησης, για να εντοπίσετε τη μετάφρασή της στις μεταφρασμένες προειδοποιήσεις ασφαλείας που συνοδεύουν τη συσκευή.

ΦΥΛΑΞΤΕ ΑΥΤΕΣ ΤΙΣ ΟΔΗΓΙΕΣ**הזהרה****הוראות בטיחות חשובות**

סימן הזהרה זה מסמל סכנה. אתה נמצא במצב העלול לגרום לפציעה. לפני שתעבוד עם ציוד כלשהו, עליך להיות מודע לסכנות הכרוכות במגעלים חשמליים ולהכיר את הנהלים המקובלים למניעת תאונות. השתמש במספר ההוראה המסופק בסופה של כל הזהרה כדי לאתר את התרגום באזהרות הבטיחות המתורגמות שמצורפות להתקן.

שמור הוראות אלה**ВАЖНИ БЕЗБЕДНОСНИ НАПАТСТВИЈА**

Симболот за предупредување значи опасност. Се наоѓате во ситуација што може да предизвика телесни повреди. Пред да работите со опремата, бидете свесни за ризикот што постои кај електричните кола и треба да ги познавате стандардните постапки за спречување на несреќни случаи. Искористете го бројот на изјавата што се наоѓа на крајот на секое предупредување за да го најдете неговиот период во преведените безбедносни предупредувања што се испорачани со уредот.

ЧУВАЈТЕ ГИ ОБИЕ НАПАТСТВИЈА**Ostrzeżenie WAŻNE INSTRUKCJE DOTYCZĄCE BEZPIECZEŃSTWA**

Ten symbol ostrzeżenia oznacza niebezpieczeństwo. Zachodzi sytuacja, która może powodować obrażenia ciała. Przed przystąpieniem do prac przy urządzeniach należy zapoznać się z zagrożeniami związanymi z układami elektrycznymi oraz ze standardowymi środkami zapobiegania wypadkom. Na końcu każdego ostrzeżenia podano numer, na podstawie którego można odszukać tłumaczenie tego ostrzeżenia w dołączonym do urządzenia dokumencie z tłumaczeniami ostrzeżeń.

NINIEJSZE INSTRUKCJE NALEŻY ZACHOWAĆ

Upozornenie DÔLEŽITÉ BEZPEČNOSTNÉ POKYNY

Tento varovný symbol označuje nebezpečenstvo. Nachádzate sa v situácii s nebezpečenstvom úrazu. Pred prácou na akomkoľvek vybavení si uvedomte nebezpečenstvo súvisiace s elektrickými obvodmi a oboznámte sa so štandardnými opatreniami na predchádzanie úrazom. Podľa čísla na konci každého upozornenia vyhľadajte jeho preklad v preložených bezpečnostných upozorneniach, ktoré sú priložené k zariadeniu.

USCHOVAJTE SI TENTO NÁVOD**Opozorilo POMEMBNI VARNOSTNI NAPOTKI**

Ta opozorilni simbol pomeni nevarnost. Nahajate se v situaciji, kjer lahko pride do telesnih poškodb. Preden pričnete z delom na napravi, se morate zavedati nevarnosti udara električnega toka, ter tudi poznati preventivne ukrepe za preprečevanje takšnih nevarnosti. Uporabite obrazložitevno številko na koncu posameznega opozorila, da najdete opis nevarnosti v priloženem varnostnem priročniku.

SHRANITE TE NAPOTKE!**警告****重要安全性指示**

此警告符號代表危險，表示可能造成人身傷害。使用任何設備前，請留心電路相關危險，並熟悉避免意外的標準作法。您可以使用每項警告後的聲明編號，查詢本裝置隨附之安全性警告譯文中的翻譯。請妥善保留此指示

Tools Required

No specific tools are required to install or remove the AC-input power supply.

Installing the Power Supply

To install the AC-input power supply, follow these steps:

-
- Step 1** Remove the power supply from the shipping packaging and discard the packaging.
 - Step 2** Verify that the new power supply has the correct airflow direction (front-to-back or back-to-front) for your situation. The power supply release lever (see [Figure 1](#)), is color-coded blue for back-to-front airflow or burgundy for front-to-back airflow.

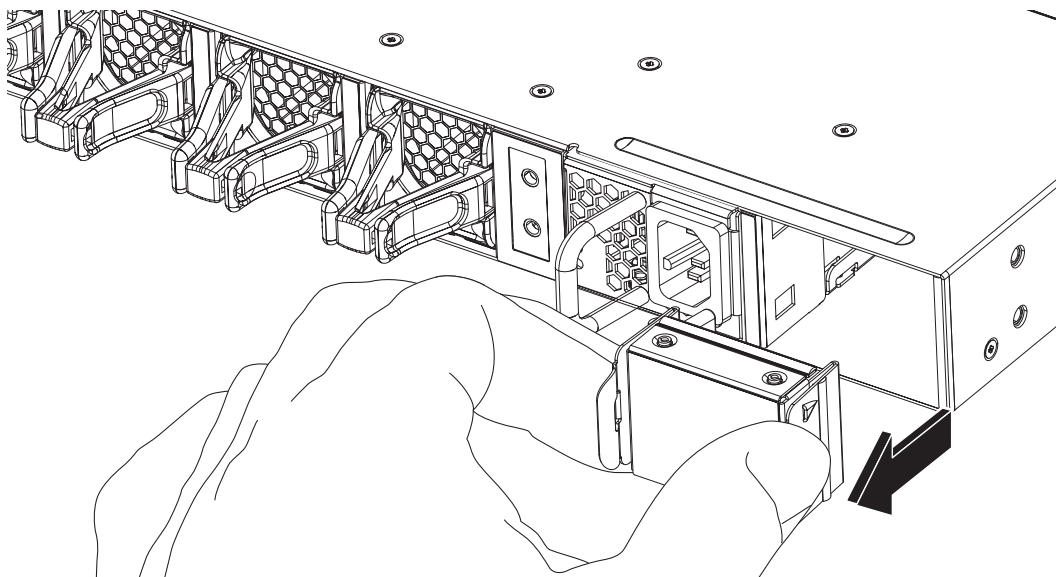


Note The chassis determines which airflow direction is correct by polling all of the fan assemblies and the power supplies. The airflow direction for all of the devices must be the same. If the airflow direction of the replacement power supply or the redundant power supply does not match the fan assemblies airflow direction, the system software shuts down the power supply and generates a power supply mismatch error message on the console.

Step 3 If the chassis power supply bay is empty, proceed to Step 4. If you are replacing a power supply already installed in the chassis power supply bay, go to the [“Removing the Power Supply”](#) section on page 11. If the chassis power supply bay is empty, but has a power supply blank cover installed, you must remove the blank cover (see [Figure 2](#)):

- a. Grasp the two retaining clips with your thumb and forefinger and squeeze to release the blank cover from the power supply bay.
- b. While still squeezing the two clips, pull on them to remove the blank cover from the power supply bay.

Figure 2 Power Supply Blank Cover



332207



Note If the redundant power supply bay on the Catalyst 4500-X chassis is unused, you must cover it with a power supply blank cover (part no. C4KX-PWR-BLANK=) to maintain proper airflow through the chassis.

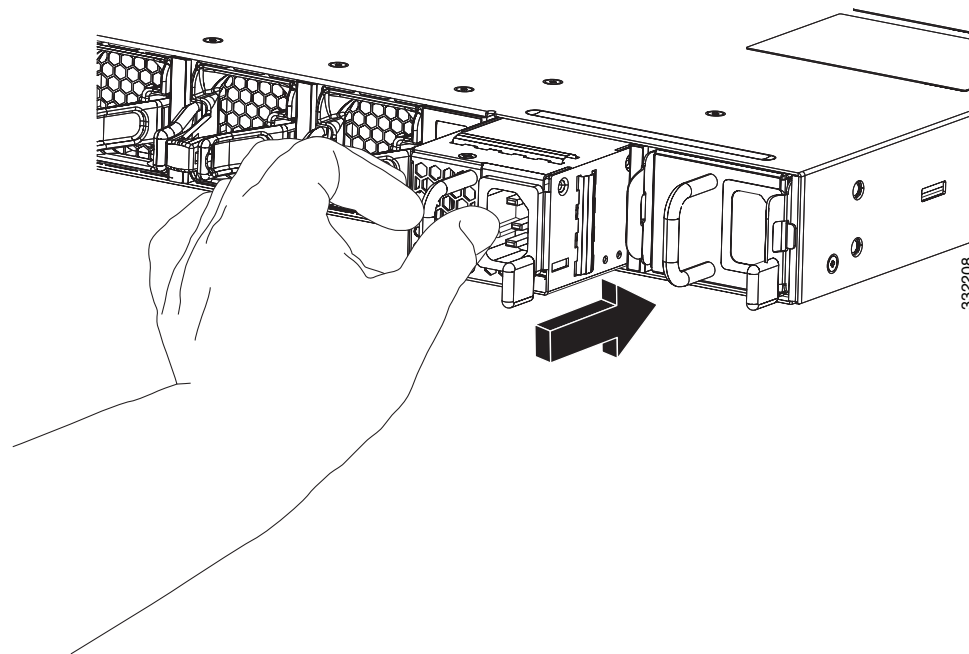
Step 4 Using two hands to support the new power supply, position it in front of the power supply bay and slide it into the bay.

Step 5 Firmly push on the power supply handle to fully seat the power supply in the bay. (See [Figure 3.](#))



Note The retaining clip will pivot in and then snap into place when the power supply is fully installed in the bay. You can hear a click as the power supply release lever snaps into place.

Figure 3 Installing the AC-Input Power Supply



- Step 6** Verify that you have the correct source AC power cord for your installation. See the “[Power Cords](#)” section on page 14 for a list, including descriptions and illustrations, of the AC power cords supported on the power supply.
- Step 7** Attach the AC power cord’s appliance connector to the AC-in receptacle on the power supply and secure the power cord in place with the velcro retaining strap on the power supply. Connect the power cord’s AC plug to the source AC outlet.



Note If the source AC outlet is live, the power supply will immediately power up. There is no power switch on the AC-input power supply.

- Step 8** Verify that the power supply powers up correctly by visually monitoring the two LEDs on the power supply. (See [Figure 1.](#)) See [Table 1](#) for a list of LED conditions and meanings.

Removing the Power Supply

To remove the AC-input power supply from the chassis, follow these steps:

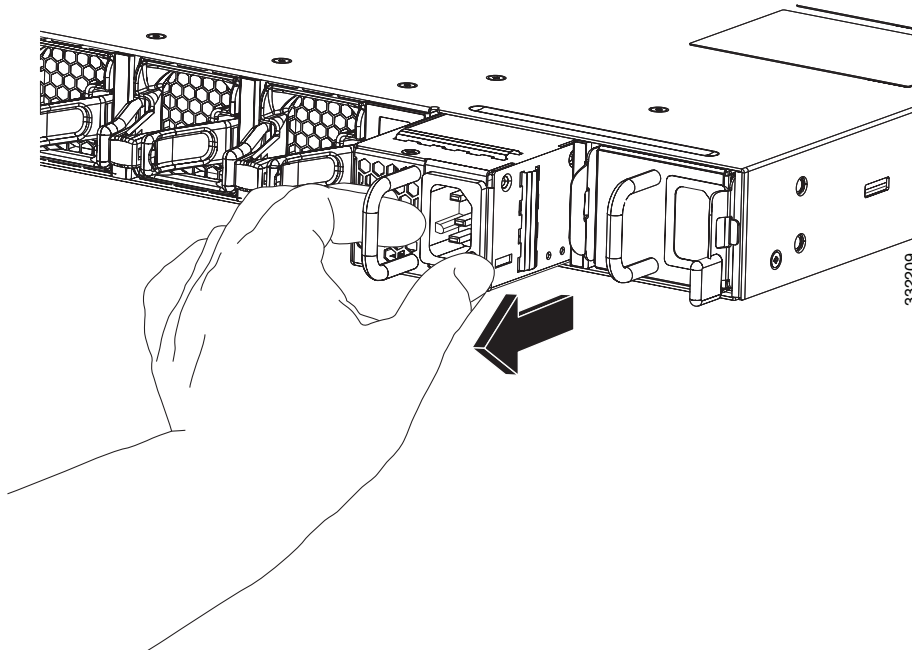
- Step 1** Release the AC power cord from the velcro restraint strap.
- Step 2** Disconnect the AC power cord from the power supply.



Note The AC-input power supply does not have an on/off switch. Disconnecting the AC power cord immediately powers down the AC power supply.

- Step 3** Grasp the power supply handle with your forefinger and place your thumb on the power supply release handle.
- Step 4** Squeeze your forefinger and thumb together and pull on the power supply handle to release the power supply from the chassis bay. (See [Figure 4](#).)

Figure 4 Removing the AC-Input Power Supply



- Step 5** Slide the power supply out of the chassis bay.



Note The power supply is approximately 14 inches (35.56 cm) long. Place your other hand underneath of the power supply to support the power supply as you extract it from the chassis.

- Step 6** Set the removed power supply aside.
- Step 7** If you are not going to replace the power supply, place a power supply blank cover (part no. C4KX-PWR-BLANK=) over the empty power supply bay opening and snap it into place. If you are going to install a new power supply in the chassis, see the [“Installing the Power Supply”](#) section on [page 9](#) for instructions.

Power Supply Specifications

Table 2 lists and describes the electrical specifications for the 750 W AC-input power supply.

Table 2 *Electrical Specifications, 750 W AC-Input Power Supply*

Specification	Description
AC-input type	Autoranging input with power factor correction (PFC)
AC-input voltage	100 to 240 VAC (115/230 VAC nominal) single-phase
AC-input current	<ul style="list-style-type: none"> • 11 A @ 100 VAC (max) • 6 A @ 200 VAC (max)
AC-input frequency	47 to 63 Hz (50/60 Hz nominal)
Branch circuit requirement	<p>Each chassis power supply should have its own dedicated, fused-branch circuit:</p> <ul style="list-style-type: none"> • For North America—15 A • For International—Circuits should be sized to local and national codes • All AC power supply inputs are fully isolated. • Source AC can be out of phase between multiple power supplies in the same chassis, which means that PS1 can be operating from phase A and PS2 can be operating from phase B.
Power supply output capacity	750 W
Power supply output	<ul style="list-style-type: none"> • 12 VDC @ 62 A • 3.3 VDC @ 3 A
Output holdup time	16 ms minimum (20 ms @ 60% load)
BTU (total output) ¹	1122 BTU/hour (nominal) 1365 BTU/hour (max)

1. 1000 BTU/hour = 293 W

Table 3 lists the physical specifications of an AC-input power supply (C4KX-PWR-750AC-R= or C4KX-PWR-750AC-F=).

Table 3 **Dimensions and Weight for an AC-Input Power Supply**

Specification	Description
AC-input power supply dimensions (H x W x D)	1.57 x 2.15 x 14.28 in (3.99 x 5.46 x 36.27 cm)
Weight	2 lb (0.91 kg)
Shipping box dimensions, spare power supply (H x W x D)	4.38 x 7.13 x 20.13 in (11.13 x 18.11 x 51.13 cm)
Shipping weight	3.7 lb (1.68 kg)

Power Cords

Table 4 lists and describes the power cords supported by the AC-input power supply. Illustrations of the power cords are included.

Table 4 **AC Power Cords Supported on the 750 W Power Supply**

Locale	Part Number	AC Source Plug Type	Cordset Rating	Power Cord Reference Illustration
Switzerland	CAB-9K10A-SW= CAB-C15-ACS=	MP232-A	10 A, 250 VAC	Figure 5
Australia	CAB-AS3112-C15-AU=	AS3112	10 A, 250 VAC	Figure 6
United Kingdom	CAB-BS1363-C15-UK=	BS 1363	10 A, 250 VAC	Figure 7
South Africa, India	CAB-BS546-C15-SA=	BS 546	10 A, 250 VAC	Figure 8
Italy	CAB-C2316-C15-IT=	CEI 23-16/7	10 A, 250 VAC	Figure 9
Continental Europe	CAB-CEE77-C15-EU=	CEE 7/7	16 A, 250 VAC	Figure 10
Argentina	CAB-IR2073-C15-AR=	IRAM 2073	10 A, 250 VAC	Figure 11
North America	CAB-US515-C15-US=	NEMA 5-15P	13 A, 125 VAC	Figure 12
Israel	CAB-C15-ISR=	EL 212 (SI-32)	10 A, 250 VAC	Figure 13
Japan	CAB-C15-JPN=	JIS C8303	12 A, 125 VAC	Figure 14
Brazil	CAB-EL223-C15-BR=	EL223 (NBR 14136)	10 A, 250 VAC	Figure 15

Figure 5 CAB-9K10A-SW=, CAB-C15-ACS= (AC Power Cord, Switzerland)

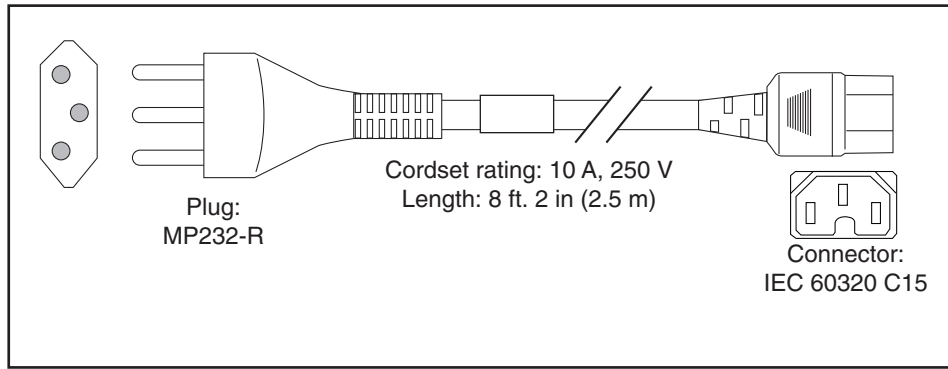


Figure 6 CAB-AS3112-C15-AU= (AC Power Cord, Australia)

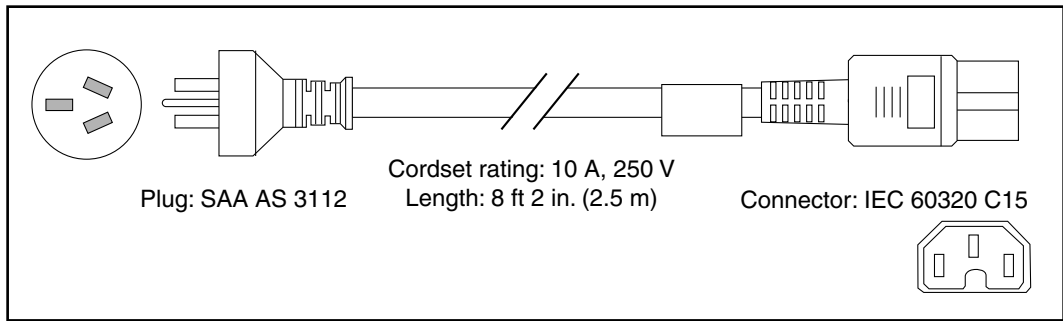


Figure 7 CAB-BS1363-C15-UK= (AC Power Cord, United Kingdom)

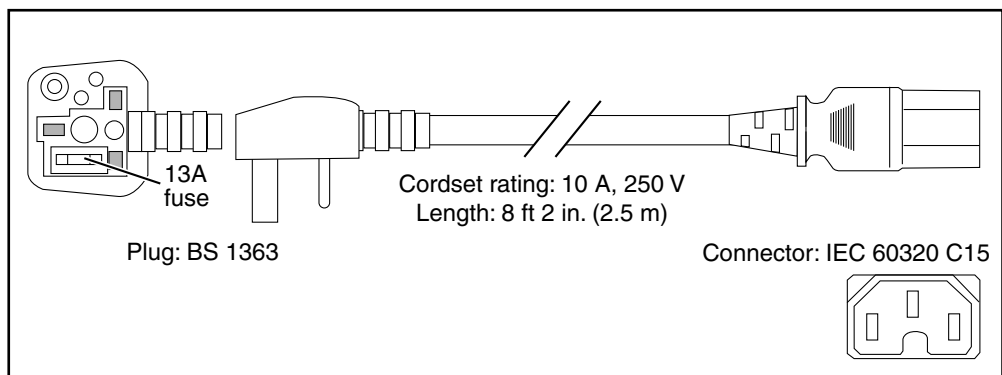


Figure 8 CAB-BS546-C15-SA= (AC Power Cord, South Africa, India)

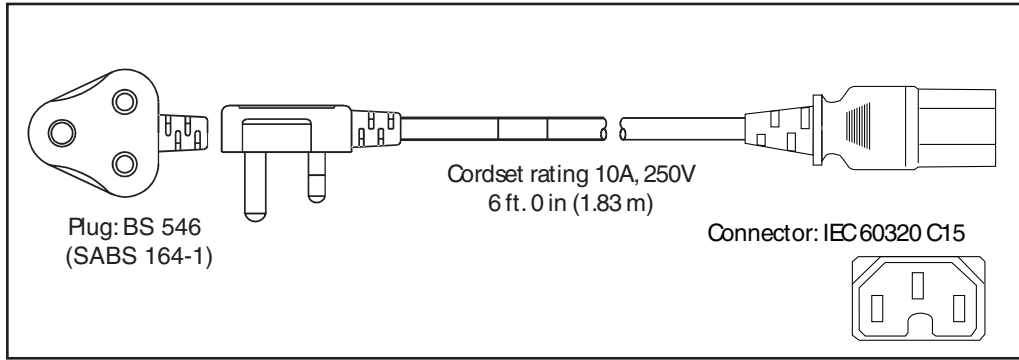


Figure 9 CAB-C2316-C15-IT= (AC Power Cord, Italy)

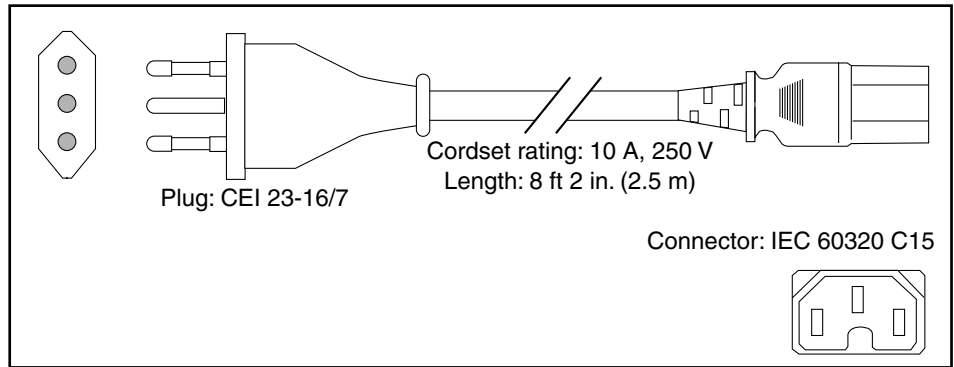


Figure 10 CAB-CEE77-C15-EU= (AC Power Cord, Europe)

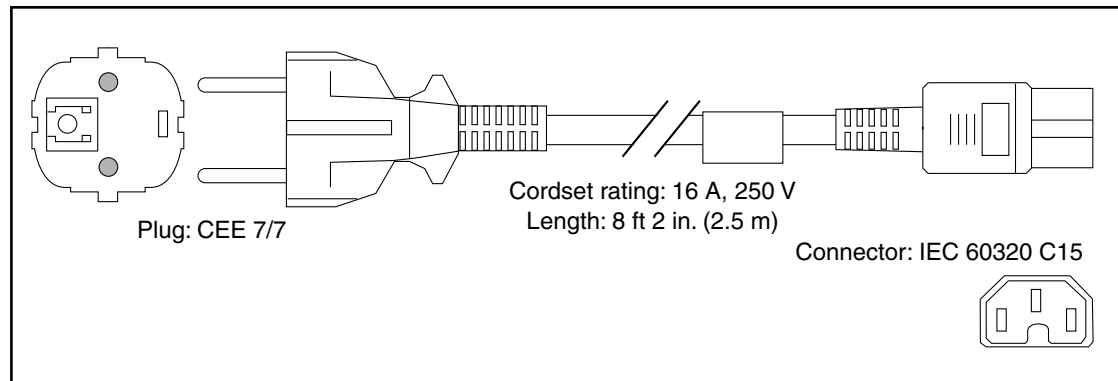


Figure 11 CAB-IR2073-C15-AR= (AC Power Cord, Argentina)

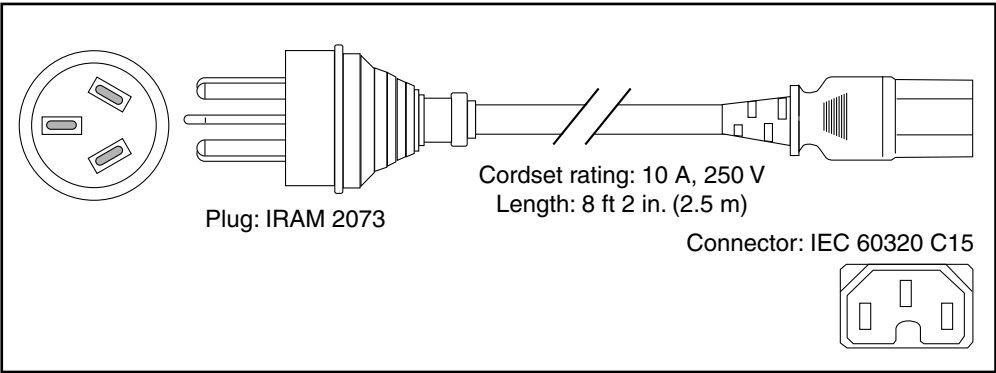


Figure 12 CAB-US515-C15-US= (AC Power Cord, North America)

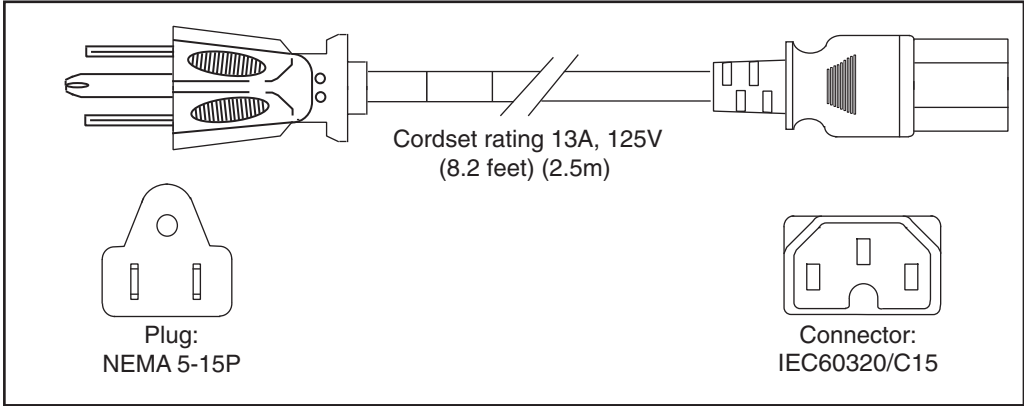


Figure 13 CAB-C15-ISR= (AC Power Cord, Israel)

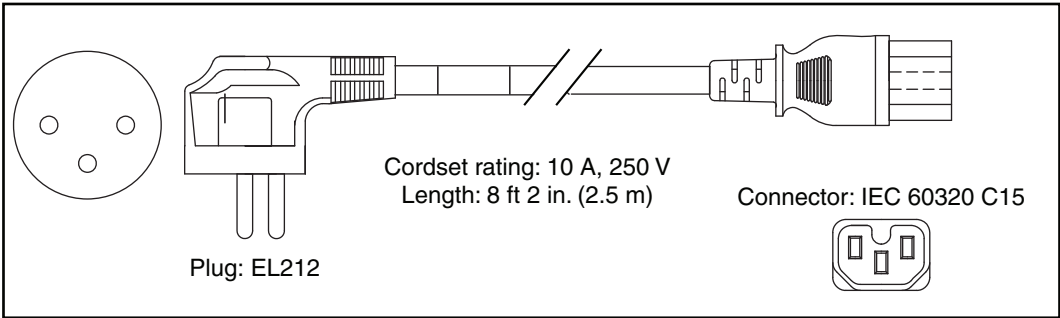


Figure 14 CAB-C15-JPN= (AC Power Cord, Japan)

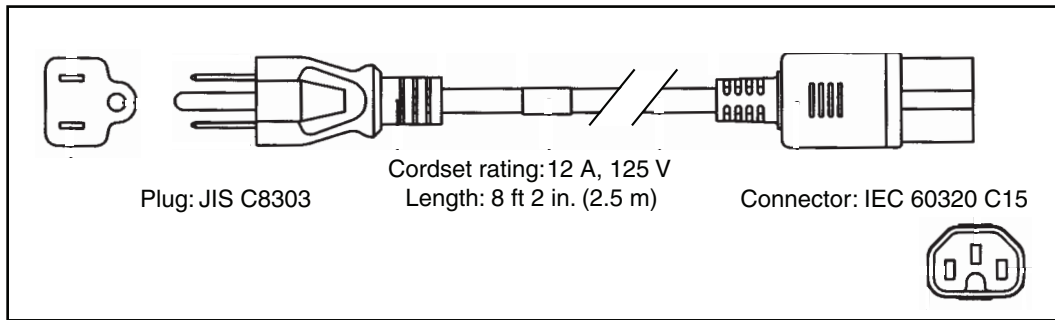
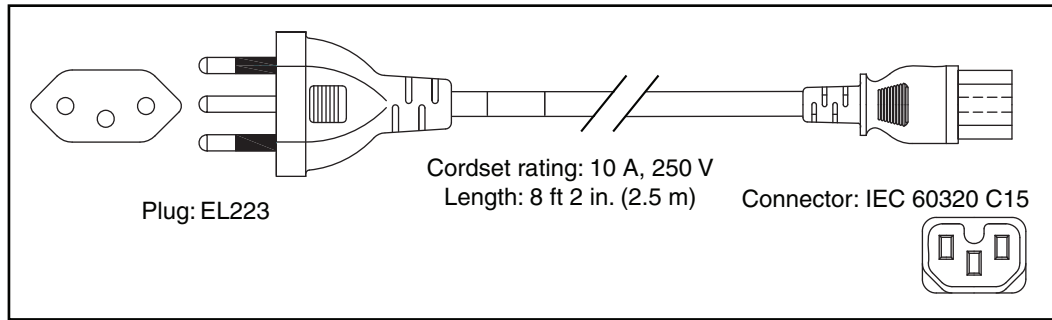


Figure 15 CAB-EL223-C15-BR= (AC Power Cord, Brazil)



Related Documentation

[Table 5](#) lists the documentation supporting the Catalyst 4500-X series switch that is available at <http://www.cisco.com/>

Table 5 **Documentation Supporting the Catalyst 4500-X Series Switch**

Title	Description of Contents
<i>Catalyst 4500-X Series Switch Installation Note</i>	Contains instructions for rack-mounting the switch chassis.
<i>Catalyst 4500-X 8-Port Network Uplink Module Installation Note</i>	Contains instructions for installing and removing the optional 8-port network uplink module in the Catalyst 4500-X switch chassis.
<i>Catalyst 4500-X DC-Input Power Supply Installation Note</i>	Contains instructions for removing and installing the DC-input power supply in the Catalyst 4500-X switch chassis.
<i>Catalyst 4500-X Fan Assembly Installation Note</i>	Contains instructions for removing and installing a fan assembly in the Catalyst 4500-X switch chassis.
<i>Regulatory Compliance and Safety Information for the Catalyst 4500-X Series Switch</i>	Contains the regulatory compliance and safety information for the Catalyst 4500-X switch chassis. Also includes language translations of the warnings that appear in the other Catalyst 4500-X documentation.
<i>Catalyst 4500 Series Switch Cisco IOS Software Configuration Guide, Release IOS XE 3.3.0SG(15.1(1)SG)</i>	Contains instructions on how to configure the Catalyst 4500-X switch.
<i>Catalyst 4500 Series Switch Cisco IOS Command Reference, Release IOS XE 3.3.0SG(15.1(1)SG)</i>	Contains descriptions of all of the software commands available that support the Catalyst 4500-X switch.
<i>Release Notes for the Catalyst 4500 Series Switch, Release IOS XE 3.3.0SG(15.1(1)SG)</i>	Contains the latest software caveats and workarounds related to the Catalyst 4500-X switch.

Obtaining Documentation and Submitting a Service Request

For information on obtaining documentation, submitting a service request, and gathering additional information, see the monthly *What's New in Cisco Product Documentation*, which also lists all new and revised Cisco technical documentation, at:

<http://www.cisco.com/en/US/docs/general/whatsnew/whatsnew.html>

Subscribe to the *What's New in Cisco Product Documentation* as an RSS feed and set content to be delivered directly to your desktop using a reader application. The RSS feeds are a free service. Cisco currently supports RSS Version 2.0.

This document is to be used in conjunction with the documents listed in the "Related Documentation" section.

Cisco and the Cisco logo are trademarks or registered trademarks of Cisco and/or its affiliates in the U.S. and other countries. To view a list of Cisco trademarks, go to this URL: www.cisco.com/go/trademarks. Third-party trademarks mentioned are the property of their respective owners. The use of the word partner does not imply a partnership relationship between Cisco and any other company. (1110R)

Any Internet Protocol (IP) addresses and phone numbers used in this document are not intended to be actual addresses and phone numbers. Any examples, command display output, network topology diagrams, and other figures included in the document are shown for illustrative purposes only. Any use of actual IP addresses or phone numbers in illustrative content is unintentional and coincidental.

© 2012 Cisco Systems, Inc. All rights reserved.

Free Manuals Download Website

<http://myh66.com>

<http://usermanuals.us>

<http://www.somanuals.com>

<http://www.4manuals.cc>

<http://www.manual-lib.com>

<http://www.404manual.com>

<http://www.luxmanual.com>

<http://aubethermostatmanual.com>

Golf course search by state

<http://golfingnear.com>

Email search by domain

<http://emailbydomain.com>

Auto manuals search

<http://auto.somanuals.com>

TV manuals search

<http://tv.somanuals.com>