

## CHANNEL VISION Limited Warranty

Channel Vision Technology will repair or replace any defect in material or workmanship which occurs during normal use of this product with new or rebuilt parts, free of charge in the USA, for two years from the date of original purchase. This is a no hassle warranty with no mail in warranty card needed. This warranty does not cover damages in shipment, failures caused by other products not supplied by Channel Vision Technology, or failures due to accident, misuse, abuse, or alteration of the equipment. This warranty is extended only to the original purchaser, and a purchase receipt, invoice, or other proof of original purchase date will be required before warranty repairs are provided.

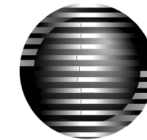
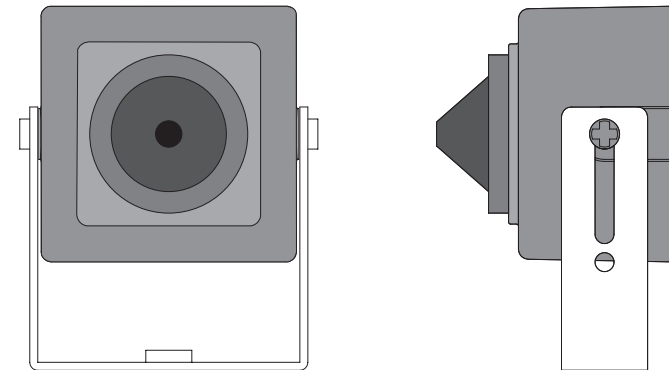
Mail in service can be obtained during the warranty period by calling (800) 840-0288 toll free. A Return Authorization number must be obtained in advance and can be marked on the outside of the shipping carton.

This warranty gives you specific legal rights and you may have other rights (which vary from state to state). If a problem with this product develops during or after the warranty period, please contact Channel Vision Technology, your dealer or any factory-authorized service center.

500-037RevB

# CHANNEL VISION™ Model 6401

## Color Mini Cone Camera

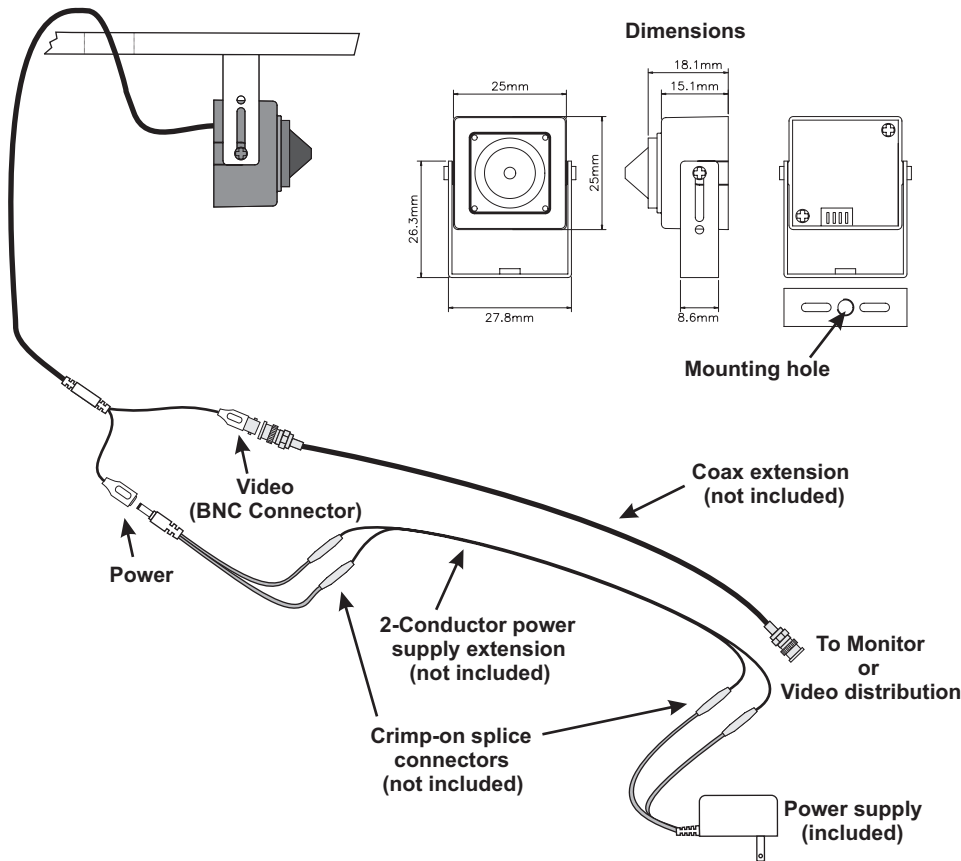


## CHANNEL VISION™

234 FISCHER AVENUE • COSTA MESA, CA 92626  
(714) 424-6500 • (800) 840-0288 • (714) 424-6510 fax  
www.channelvision.com • email: sales@channelvision.com

© 2004, CHANNEL VISION™

# Model 6401



## Features:

- 1/3" Sharp Color CCD
- 380 Lines Of Resolution
- 0.4 Lux Sensitivity
- 3.8mm Lens
- Power Supply Included
- Mount Included
- Ultra Compact Design

## Specifications:

- |                    |                               |
|--------------------|-------------------------------|
| Camera Lens:       | 3.8mm                         |
| Resolution:        | 380 lines                     |
| S/N Ratio:         | More than 48 dB               |
| Min Illumination:  | 0.4 LUX @ F2.0                |
| Power Supply:      | 12VDC regulated               |
| Power Consumption: | 120 mA                        |
| Video Output:      | 1 Vp-p @ 75 ohms              |
| Dimensions:        | (see diagram)                 |
| Operating Temp:    | -10°C to 50°C (14°F to 122°F) |

Specifications subject to change without notice.

## Installation:

- Attach the camera mount to a flat surface using the mounting hole shown above.
- Drill a hole in the wall or ceiling for wiring (see diagram).
- If necessary, attach the camera's video output to a coax extension that is long enough to reach your monitor or video distribution equipment.
- If necessary, cut the connector off of the end of the power supply and splice in an extension using crimp-on connectors.

## Free Manuals Download Website

<http://myh66.com>

<http://usermanuals.us>

<http://www.somanuals.com>

<http://www.4manuals.cc>

<http://www.manual-lib.com>

<http://www.404manual.com>

<http://www.luxmanual.com>

<http://aubethermostatmanual.com>

Golf course search by state

<http://golfingnear.com>

Email search by domain

<http://emailbydomain.com>

Auto manuals search

<http://auto.somanuals.com>

TV manuals search

<http://tv.somanuals.com>